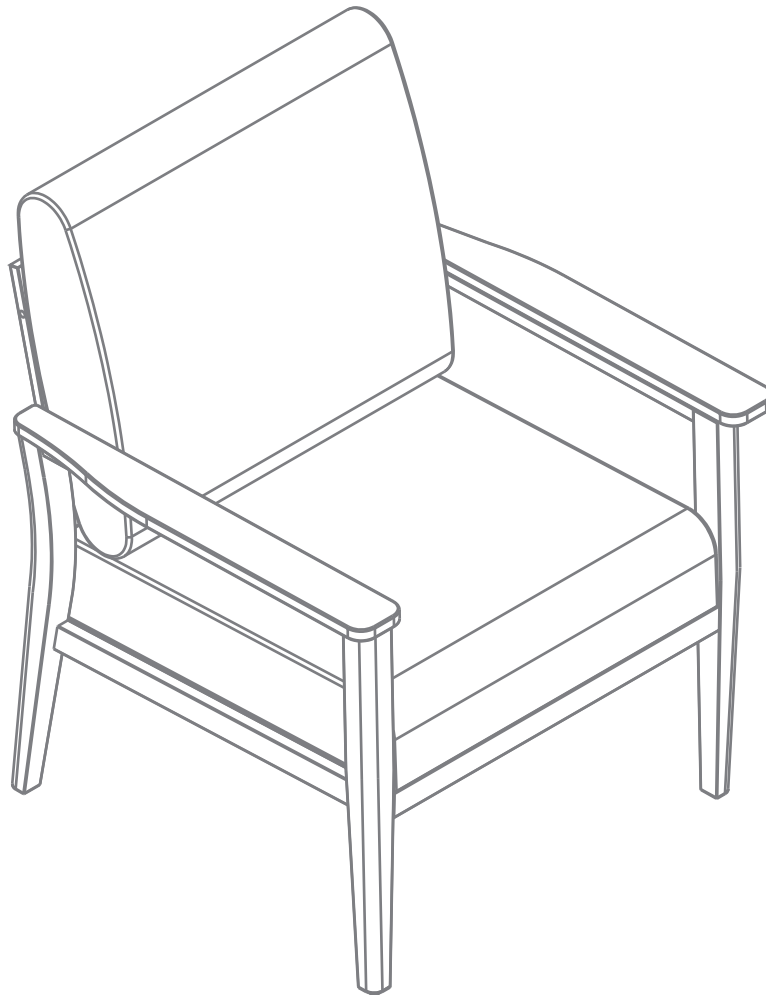




Outdoor Single Seat Sofa

Assembly & Care instructions



SKU: S02-262X01SF

Please read & retain for future reference

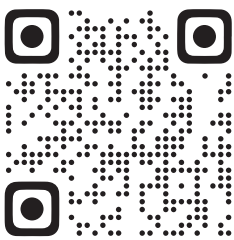


CONTENTS

Important.....	3
Packing List.....	4
Screw Set List.....	4
Sofa Installation Instructions.....	5
Specifications.....	8

CONTACT US

If you have any questions or concerns regarding our product, please don't hesitate to contact our customer service team at [service@outsofas.com]. We are committed to providing excellent service and ensuring your satisfaction.



Scan The Qr Code And Click The  Chat Button To Contact us.

Web:www.outsofas.com

E-mail:service@outsofas.com



WARNINGS

Not for Children

This sofa set is intended for adult use only. Avoid allowing children to play or climb on the furniture to reduce the risk of injury.

No Standing on Furniture

The furniture is designed for sitting only. Do not stand, jump, or place excessive weight on the armrests or backrests.

Avoid Modifications

Do not modify or attempt to repair the sofa set. Contact customer service for any necessary repairs or replacement parts.

Important Safety Information

Choking Hazard: Keep packaging materials, small parts, and screws away from children. This product contains parts that could be harmful if swallowed.

Adult Supervision: Always supervise children around the furniture, especially when playing or climbing.

Stable Surface: For safety and stability, ensure the sofa set is placed on a level, stable surface. Avoid placing it on uneven or slippery ground.

Weight Limit: Please do not exceed the recommended weight capacity for each seating unit and coffee table to prevent damage. Refer to the product's weight specifications for more details.

Cushion Safety: Ensure that cushions and pillows are securely in place before using the furniture. Avoid using the product if any cushions are damaged or misplaced.

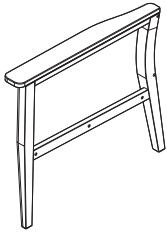
Protect from Weather: Although the rattan material is designed for outdoor use, we recommend covering the sofa set or moving it to a sheltered area during heavy rain, snow, or extreme sunlight exposure to protect the cushions and prolong the life of the set.

Proper Assembly: Always ensure that all components are properly assembled and that all screws and bolts are tightened securely before use. Check for loose screws periodically.



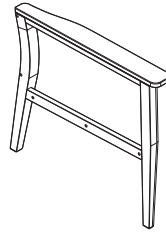
Parts List

A × 2



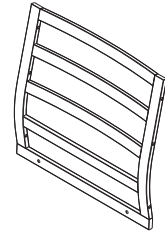
Right Armrest Part

B × 2



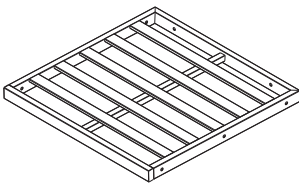
Left Armrest Part

C × 2



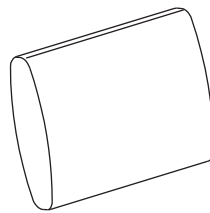
Back Plate Part

D × 2



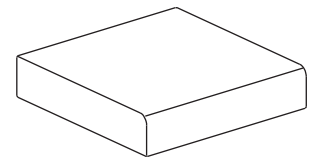
Seat Plate Part

E × 2



Back Cushion

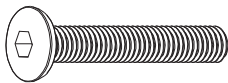
F × 2



Seat Cushion

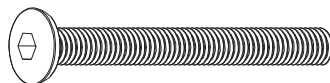
Screw Set List

AA × 9



Bolt M6 × 35

BB × 5



Bolt M6 × 55

CC × 14



M6 Gaskets

DD × 13



Bolt Cap

EE × 5



Hole Cap

FF × 1



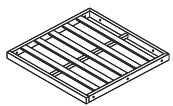
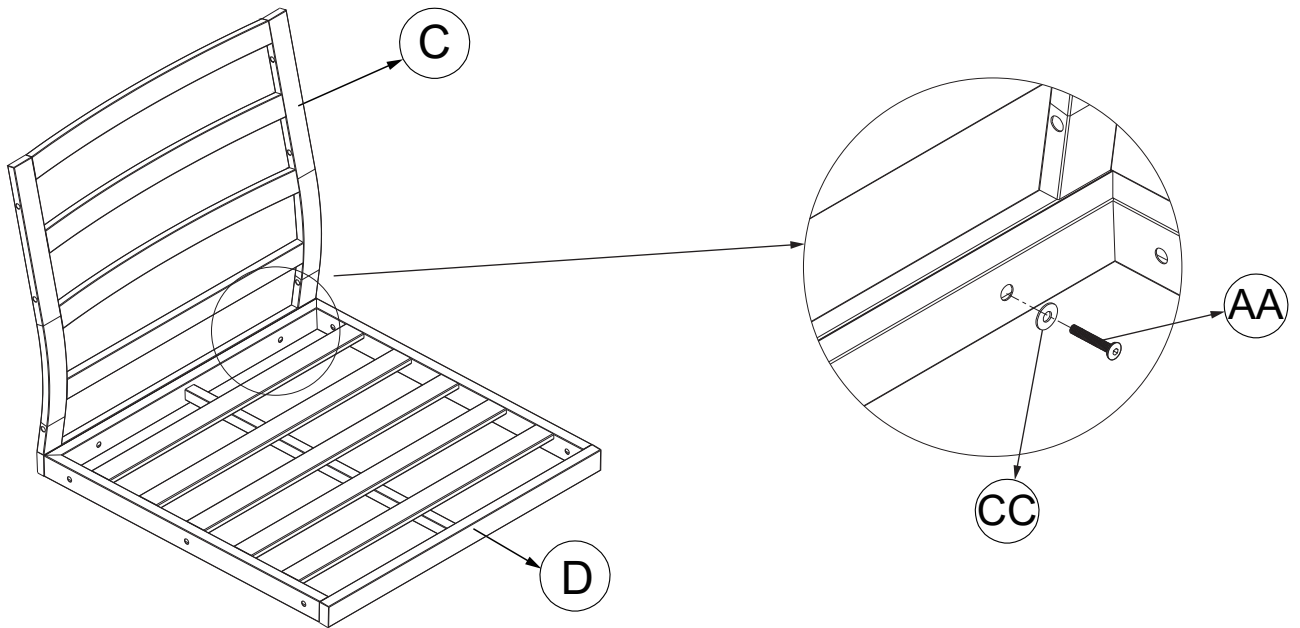
Allen wrench M6

WARNING: Failure to locate parts in accordance with these diagrams, or failure to use special parts provided with this equipment, may result in property damage or personal injury.



Step 1: As shown in the figure, first place the seat plate (D) and back plate (C) according to the position indicated in the diagram, and align the holes. Then insert the bolts (AA) through the washers (CC) and screw them into the holes.

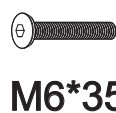
Note: Only hand-tighten the bolts at this stage; do not use tools to fully tighten them.



D x 1



C x 1



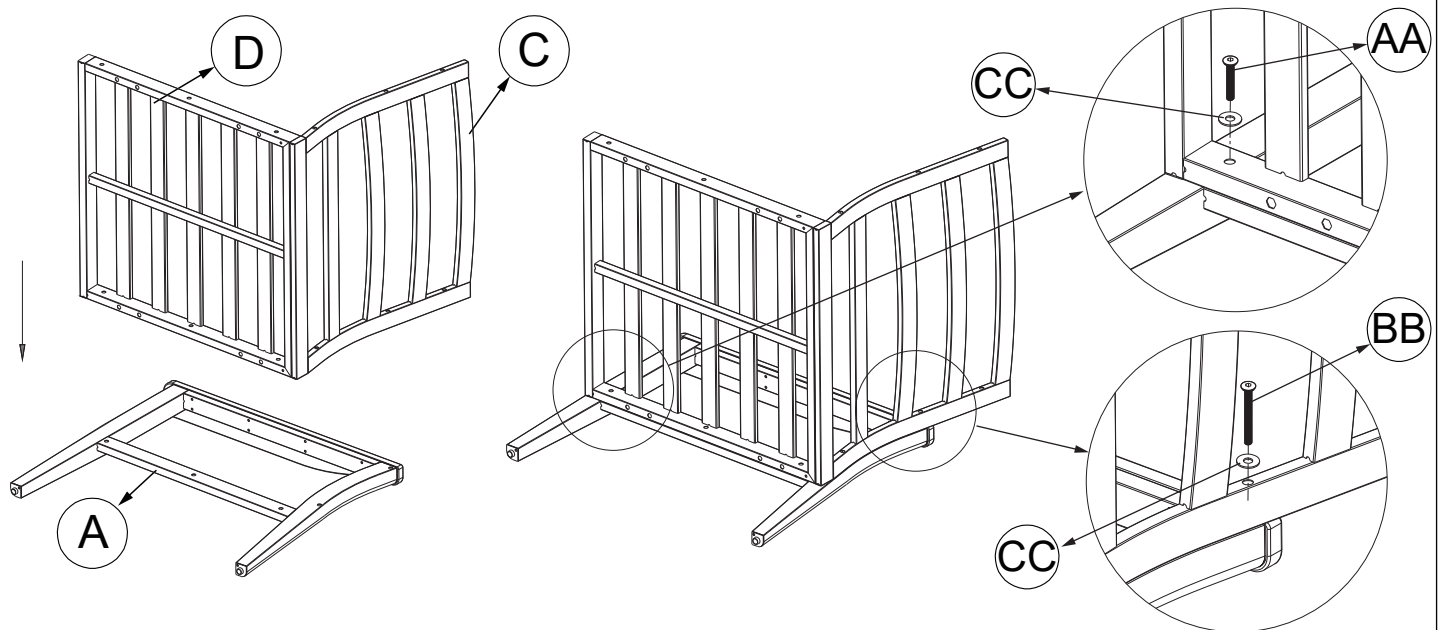
M6*35 AA x 2



M6 CC x 2

Step 2: As shown in the figure, align the side holes of the installed seat plate (D) with the inner holes of the right armrest (A). Then insert the bolts (AA) through the washers (CC) and screw them into the three side holes; insert the bolts (BB) through the washers (CC) and screw them into the aligned holes of the back plate and the armrest.

Note: Only hand-tighten the bolts at this stage; do not use tools to fully tighten them.



A x 1



M6*35 AA x 3



M6*55 BB x 2

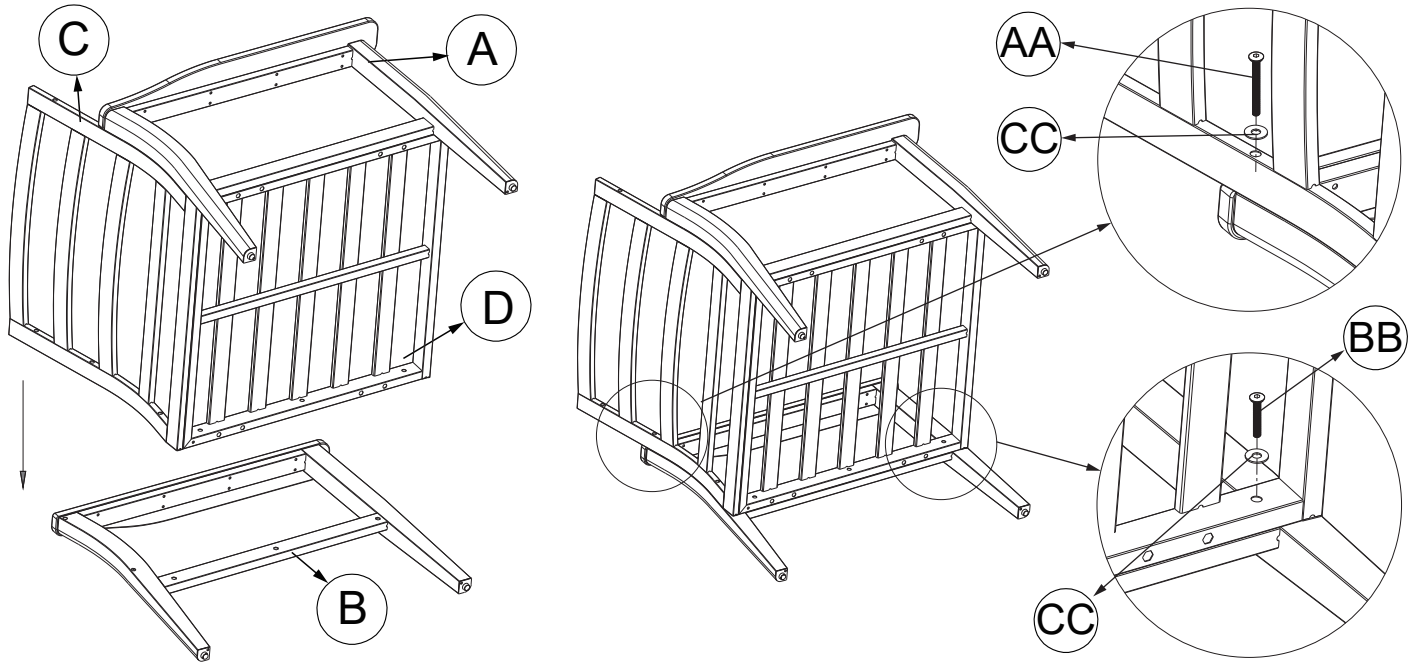


M6 CC x 5

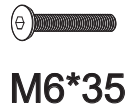


Step 3: Install the handrail (B) on the symmetrical side by following the same method as in Step 2, using the already installed side as a reference.

Note: After all screws have been installed, use a tool to fully tighten each one.



B x 1



AA x 3



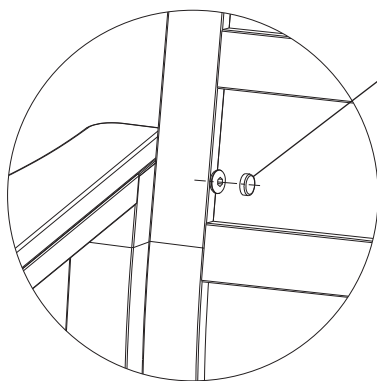
BB x 2



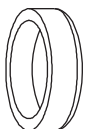
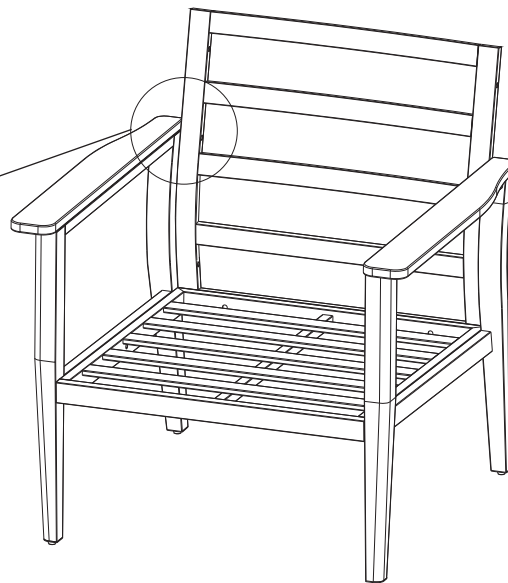
CC x 5

Step 4: Snap the bolt caps (DD) onto all screw heads and press firmly to secure them.

Note: Before installing the caps, check that all screws are fully tightened and inspect for any other assembly issues.



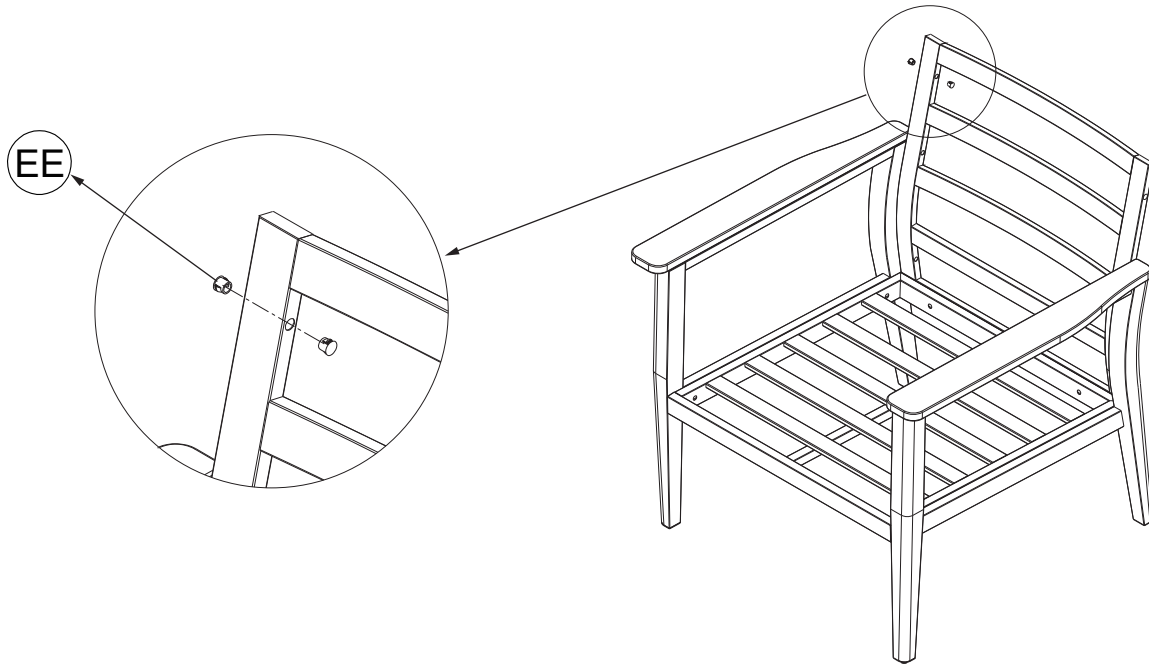
DD



DD x 12



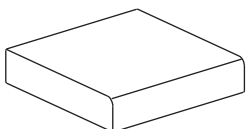
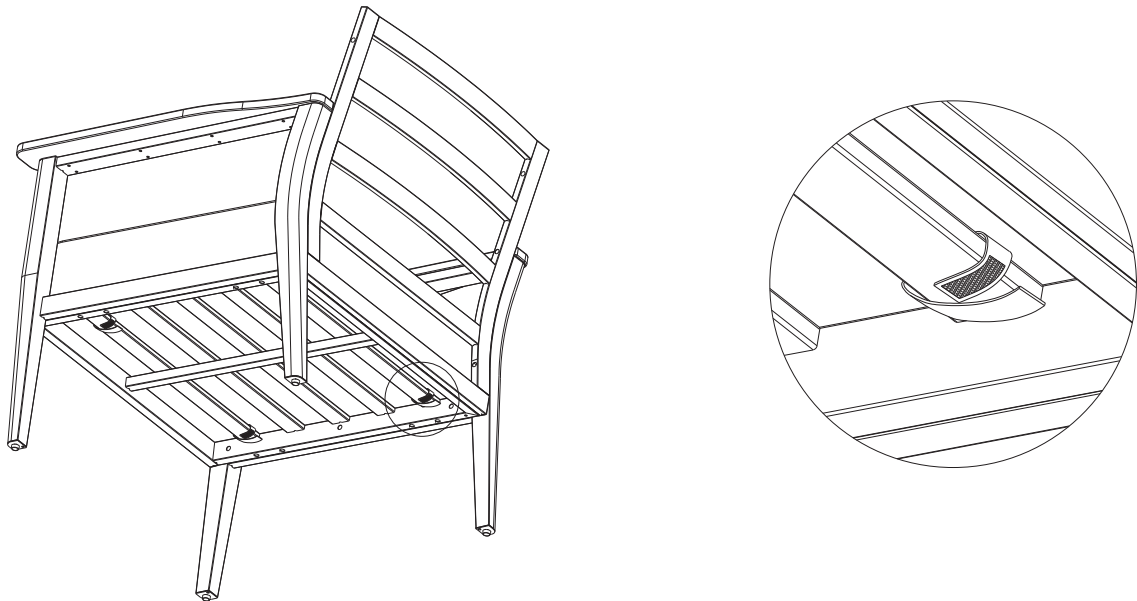
Step 5: Install the screw hole plugs (EE) into the two holes on both sides of the top of the back panel.



EE x 4

Step 6: Place the cushion (F) on the seat panel, and fasten the hook-and-loop straps underneath to the seat slats.

Note: When installing, ensure the beveled edge faces forward.

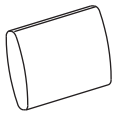
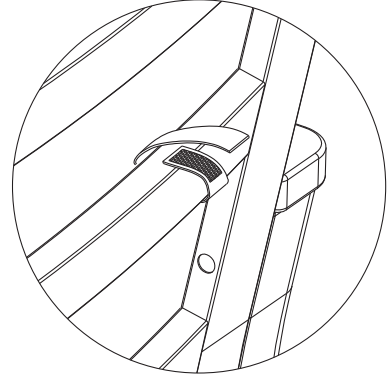


F x 1



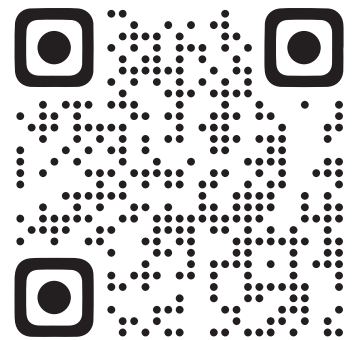
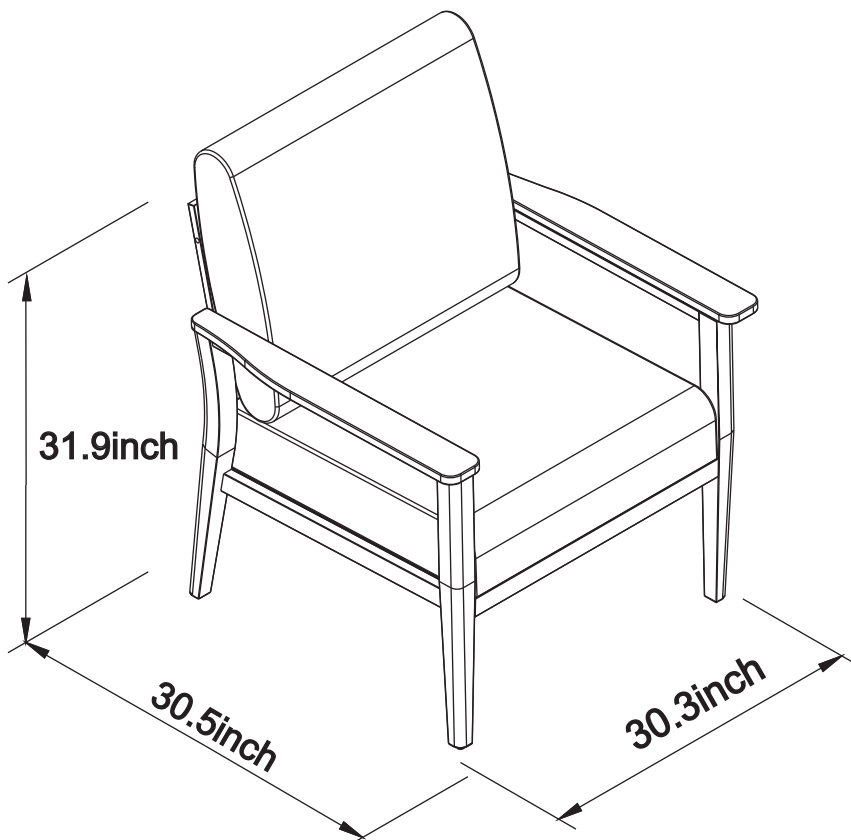
Step 7: Place the back cushion(E) on the back panel and wrap the hook-and-loop straps around the back panel slats.

Note: Ensure the side of the back cushion with the zipper faces downward.



E x 1

SPECIFICATIONS



Scan the QR code to learn more about our product.