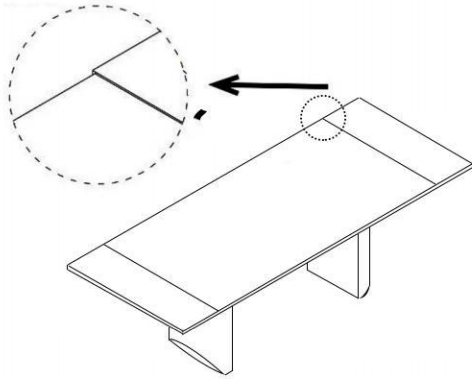
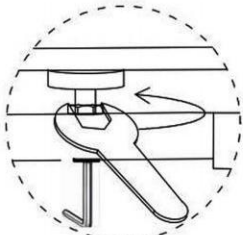


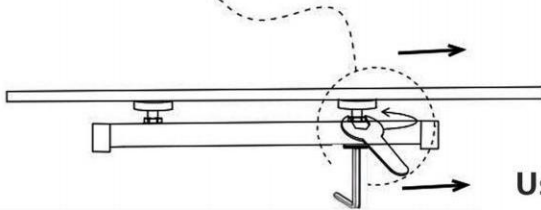
Notice



For the extendable dining table, it's a normal situation that the tabletop may not be aligned due to the vibration during transportation.

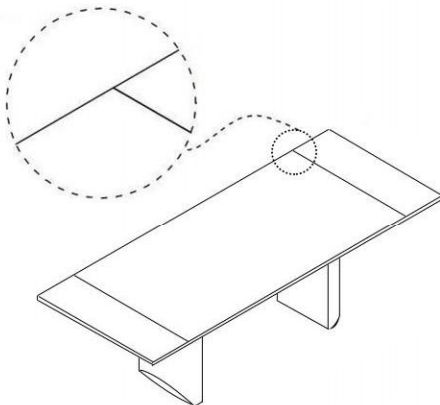


Use wrench **C** to loosen the upper screw counterclockwise.

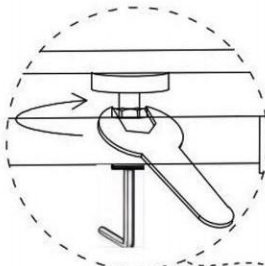


There are **4** screws on one board.

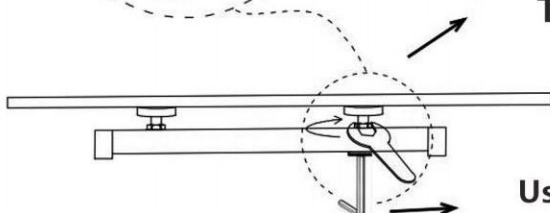
Use wrench **B** to fix this screw at the bottom.



Adjust the tabletop to make it aligned.



Finally, use wrench **C** to tighten the upper screw clockwise.



There are **4** screws on one board.

Use wrench **B** to fix this screw at the bottom.