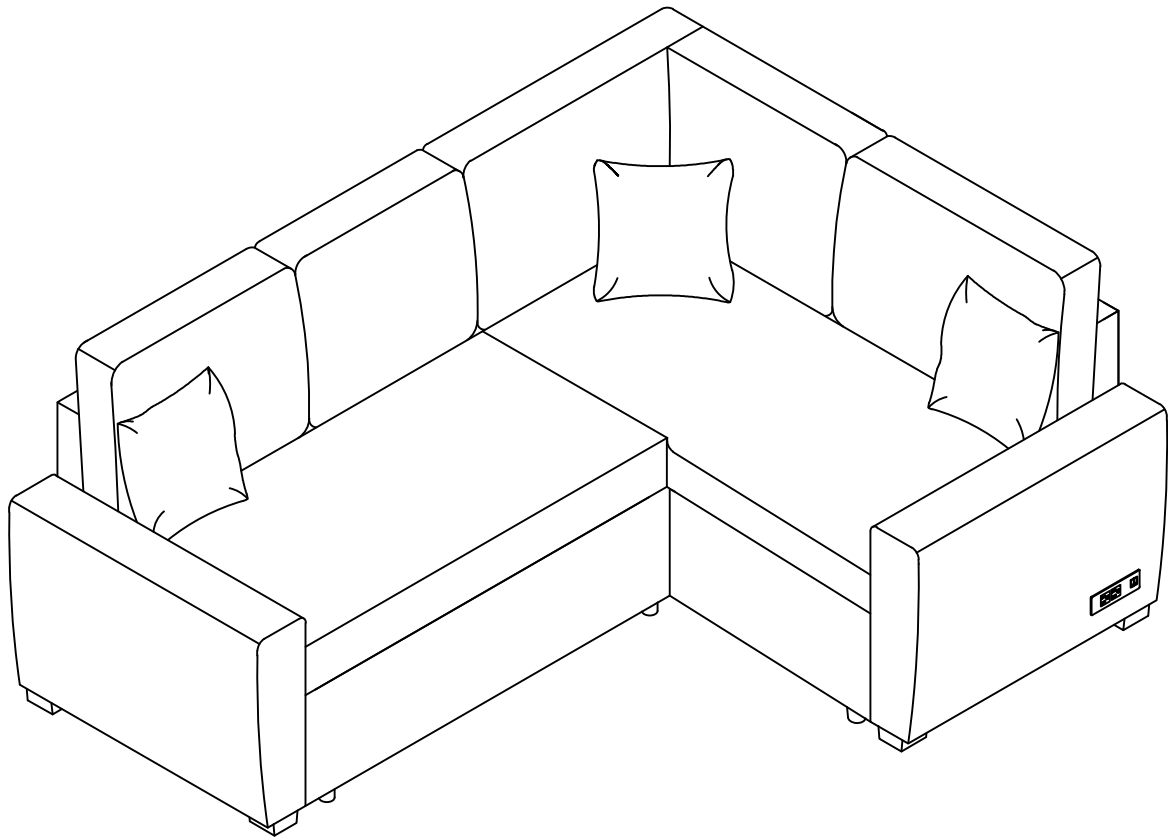
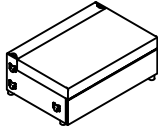

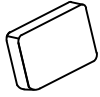


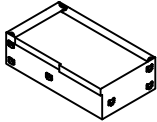
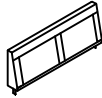
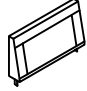
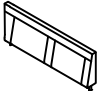





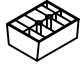


# ASSEMBLY INSTRUCTION



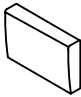
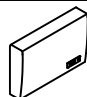
### COMPONENT LIST

NO.	DRAWING	QTY	DESCRIPTION
B		1	Loveseat Body
J		2	Pillows
H		2	Loveseat Back Cushion

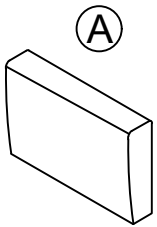
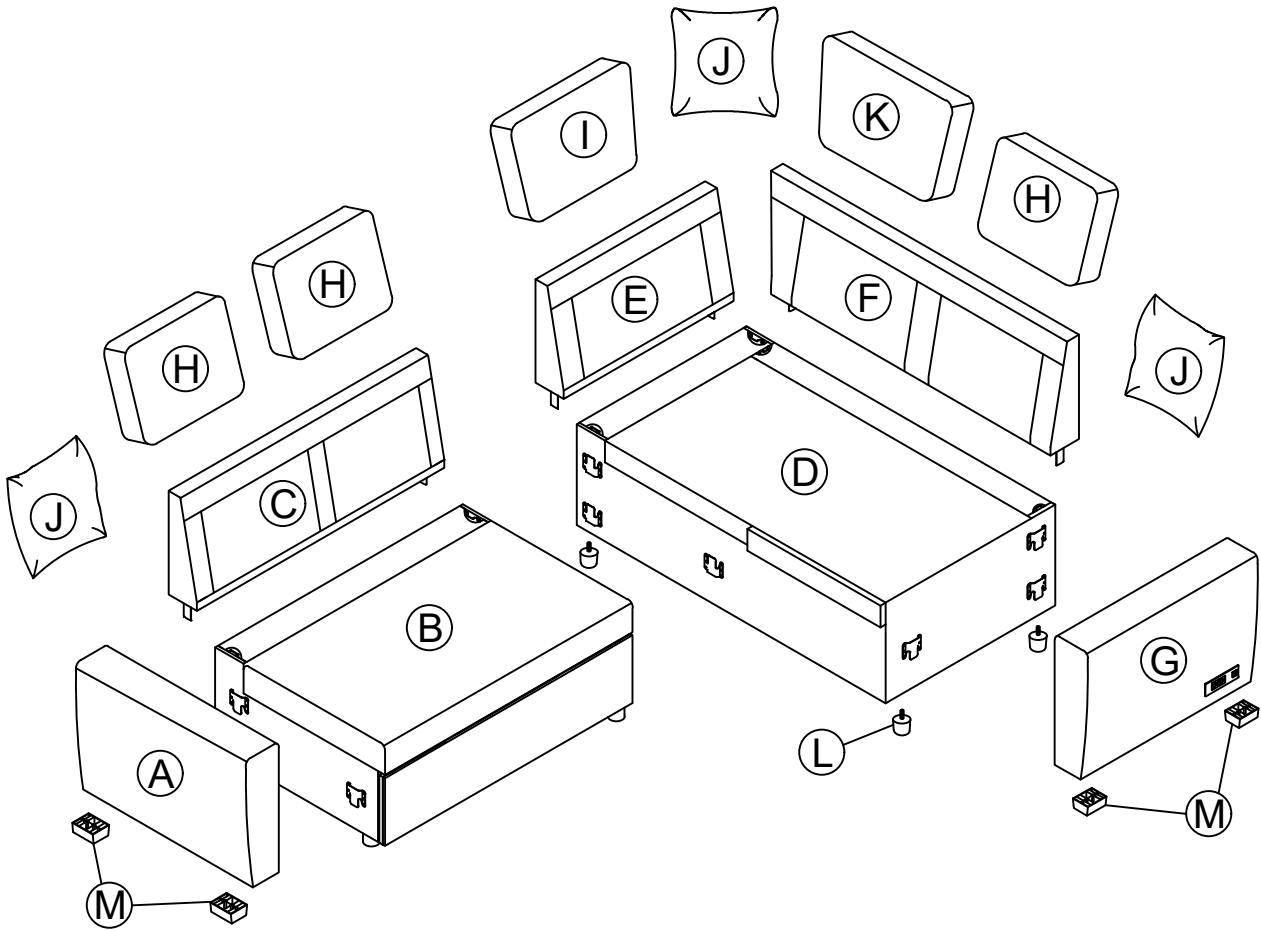
### COMPONENT LIST

NO.	DRAWING	QTY	DESCRIPTION
D		1	Chair Body
C		1	Loveseat Back Frame
E		1	Short Back Frame
F		1	Chaise Back Frame
I		1	Short Back Cushion
K		1	Long Back Cushion
H		1	Loveseat Back Cushion
L		4	Legs
J		1	Pillows
M		4	Arm Legs
N		8	Bolt
P		1	Allen key

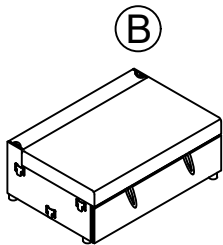
### COMPONENT LIST

A		1	Left Arm
G		1	Right Arm

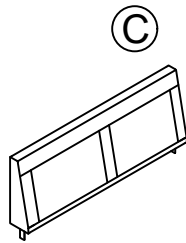
# PARTS LIST



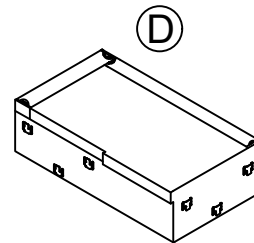
**A**  
Left Arm  
X 1PC



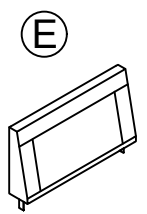
**B**  
Loveseat Body  
X 1PC



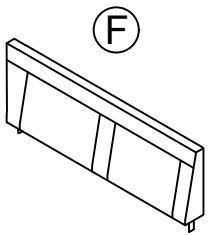
**C**  
Loveseat Back Frame  
X 1PC



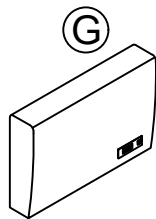
**D**  
Chair Body  
X 1PC



**E**  
Short Back Frame  
X 1PC



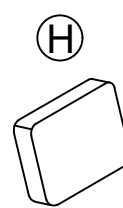
**F**  
Chair Back Frame  
X 1PC



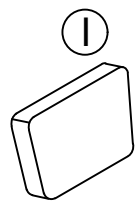
**G**  
Right Arm X  
1PC



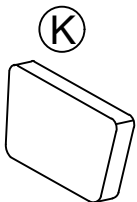
**J**  
Pillows  
X 3PCS



**H**  
Loveseat Back Cushion  
X 3PCS



**I**  
Short Back Cushion  
X 1PC



**K**  
Long Back Cushion  
X 1PC



**L**  
Legs  
X 4PCS



**M**  
Square Leg  
X 4PCS



**N**  
Bolt 5/16"X50mm  
X 8PCS

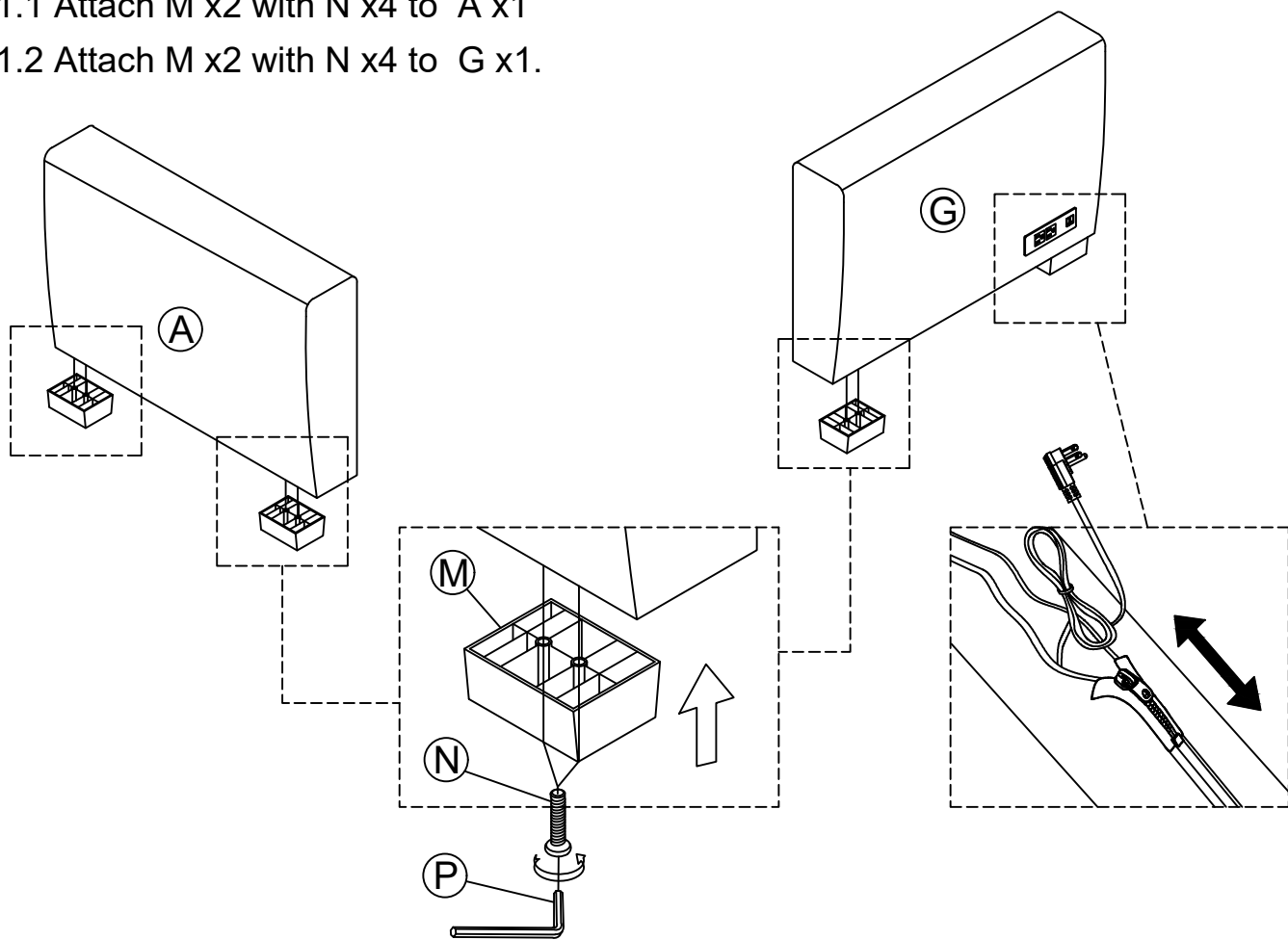


**P**  
Allen key  
1PC

**STEP 1:**

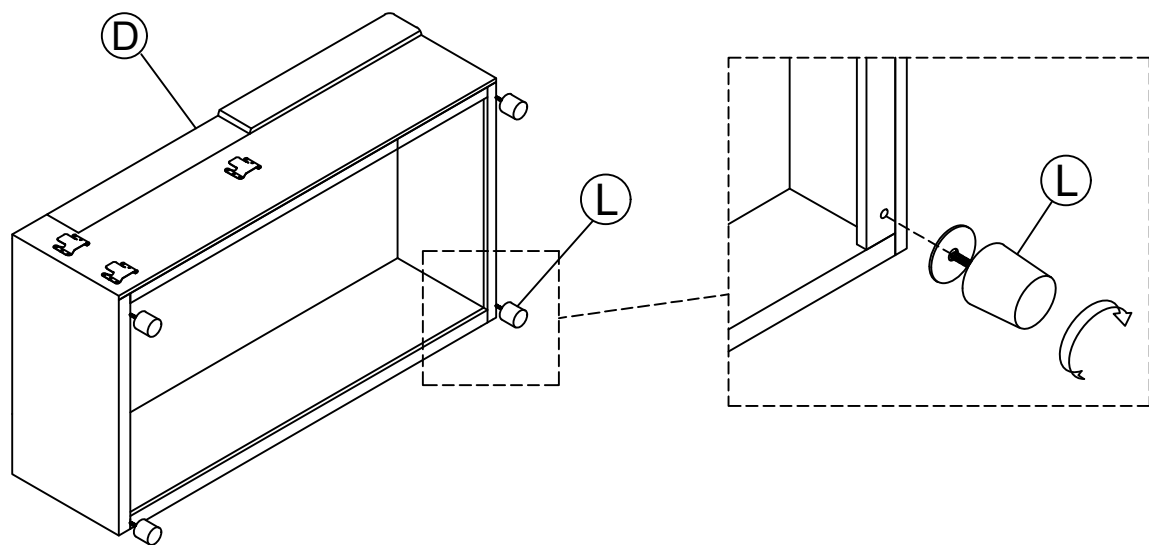
1.1 Attach M x2 with N x4 to A x1

1.2 Attach M x2 with N x4 to G x1.



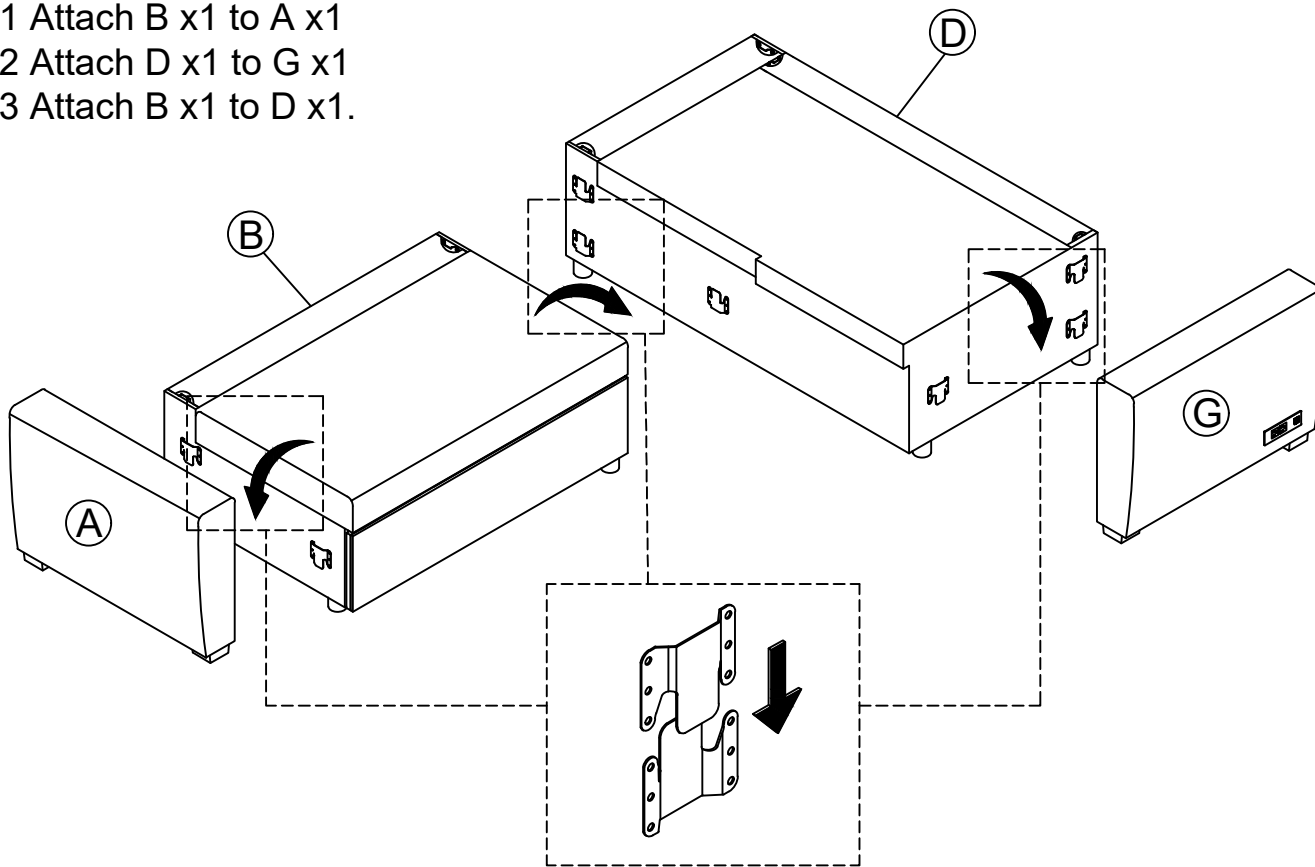
**STEP 2:**

2.1 Attach L x4 to D x1.



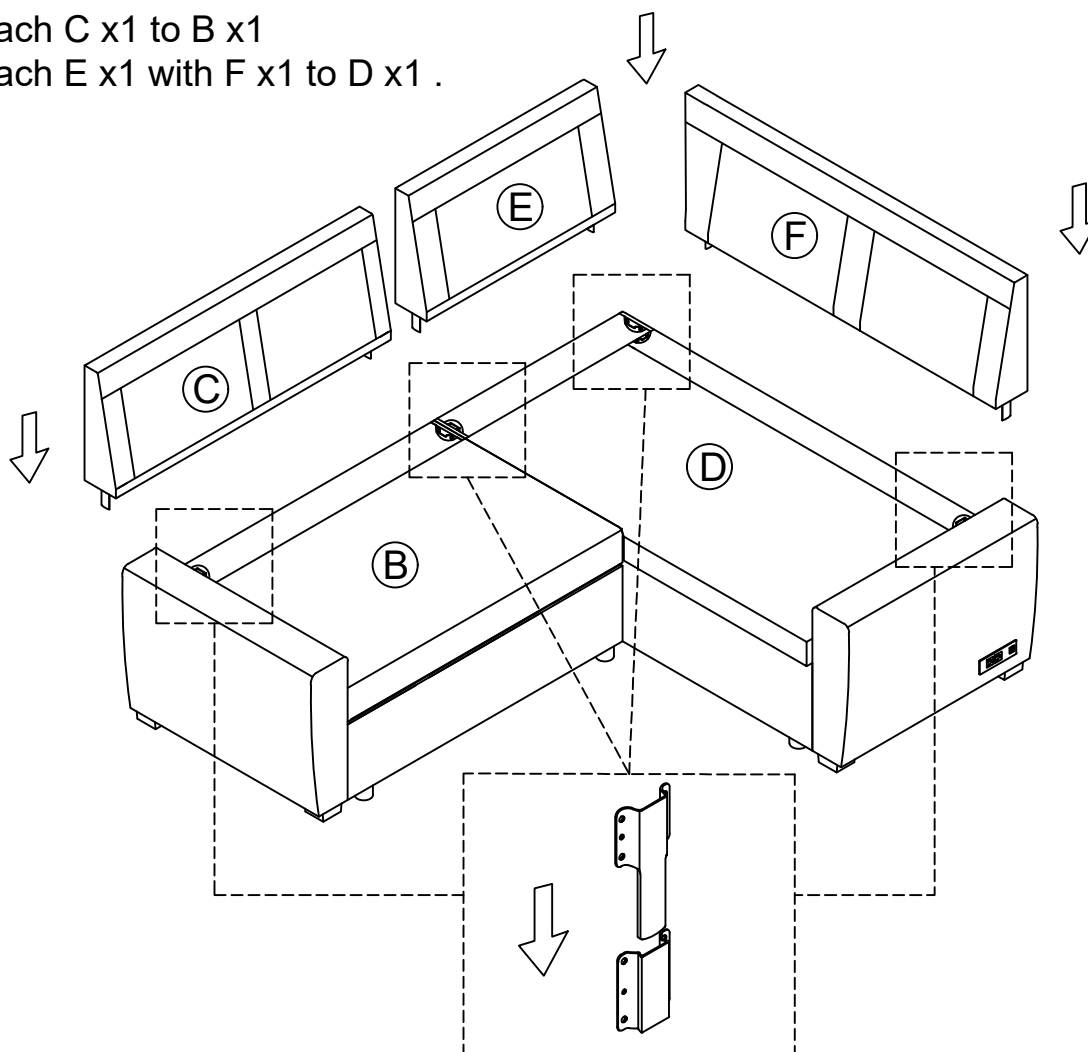
**STEP 3:**

- 3.1 Attach B x1 to A x1
- 3.2 Attach D x1 to G x1
- 3.3 Attach B x1 to D x1.



**STEP 4:**

- 4.1 Attach C x1 to B x1
- 4.2 Attach E x1 with F x1 to D x1 .

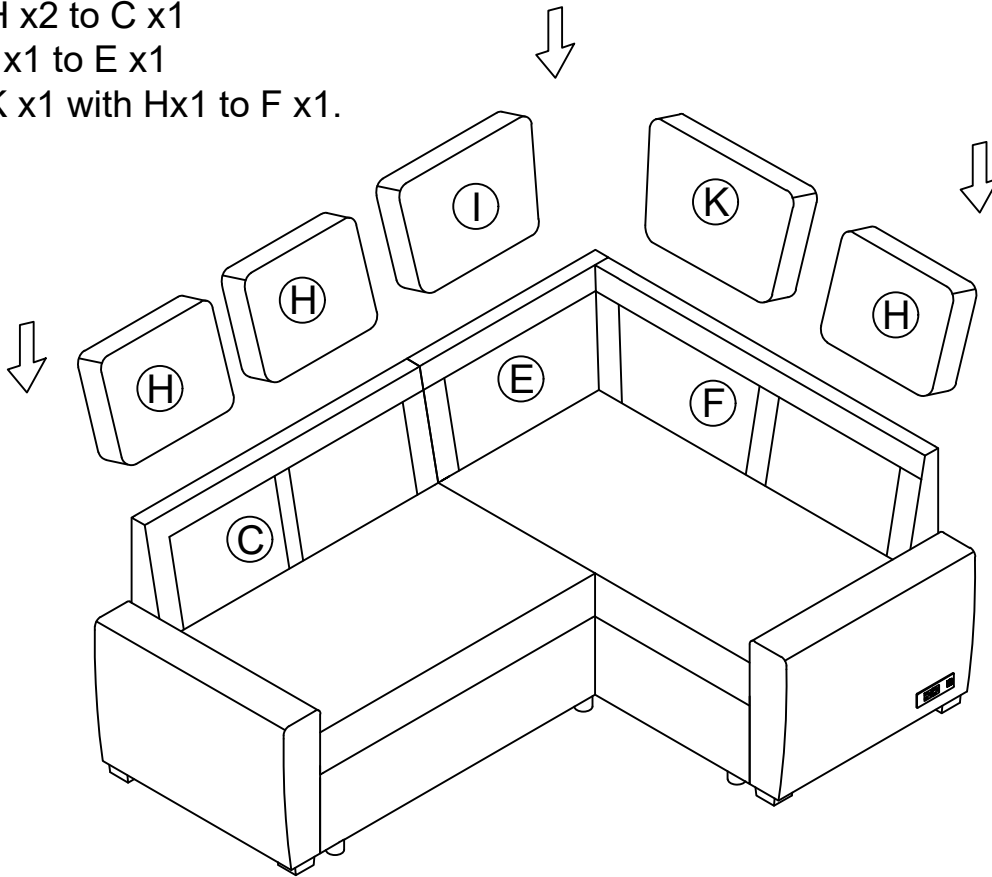


**STEP 5:**

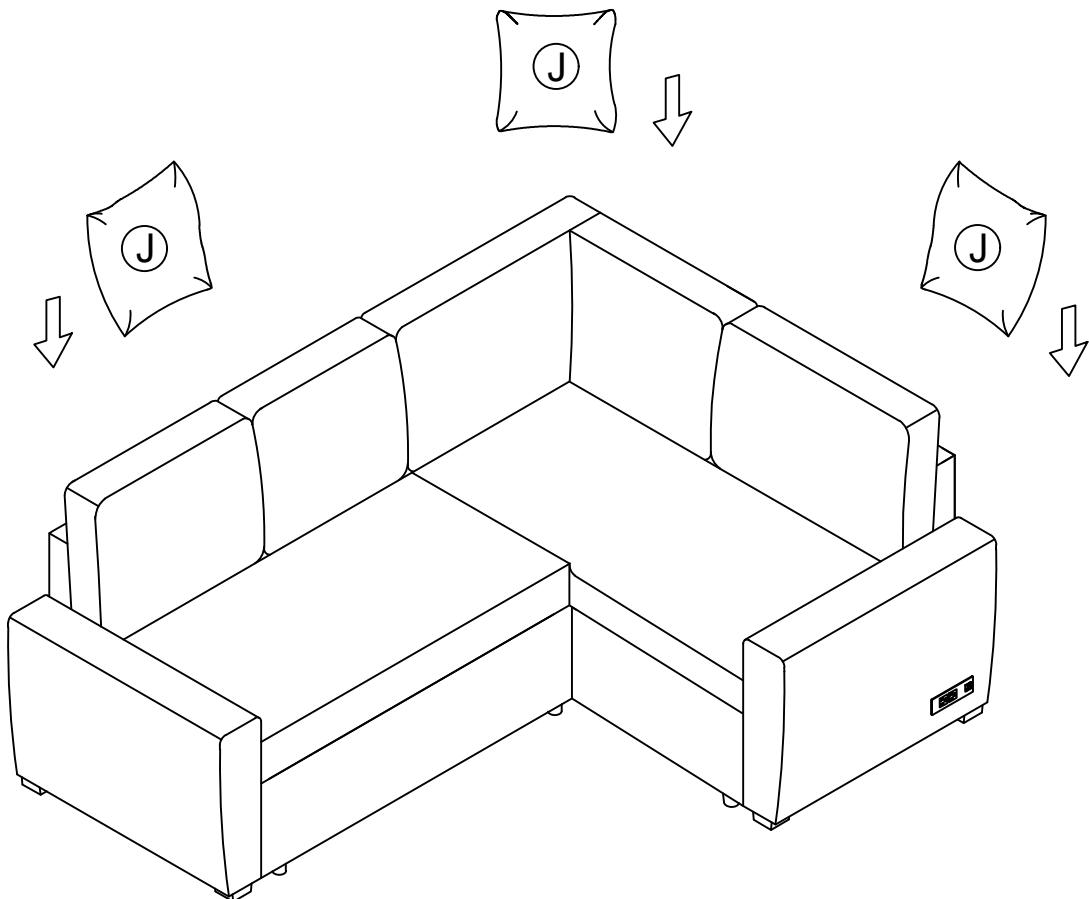
5.1 Attach H x2 to C x1

5.2 Attach I x1 to E x1

5.3 Attach K x1 with Hx1 to F x1.

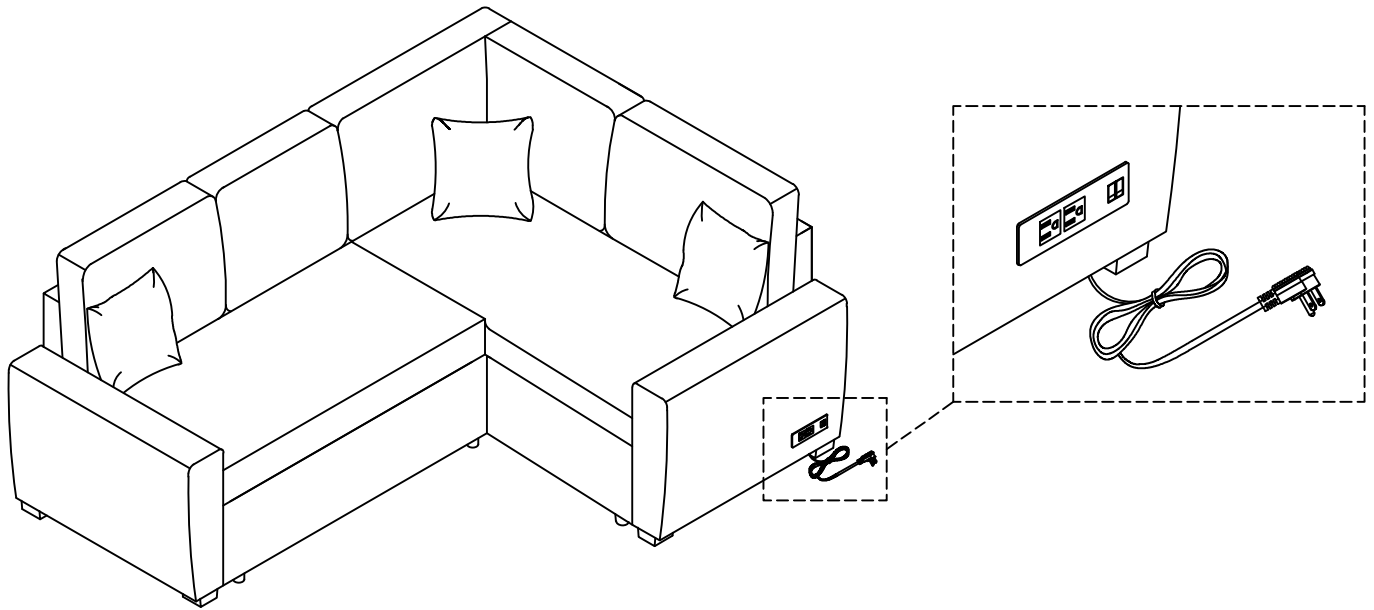


**STEP 6:**



# Helpful Hints

- Sectional sofa can transform into a sleeper
- Move your new furniture carefully, with two people lifting and carrying the unit to its new location.
- Your furniture can be disassembled and reassembled to move.
- Clean the product with a soft damp cloth. DO NOT use harsh chemicals or abrasive cleaners.



## COMPLETE

