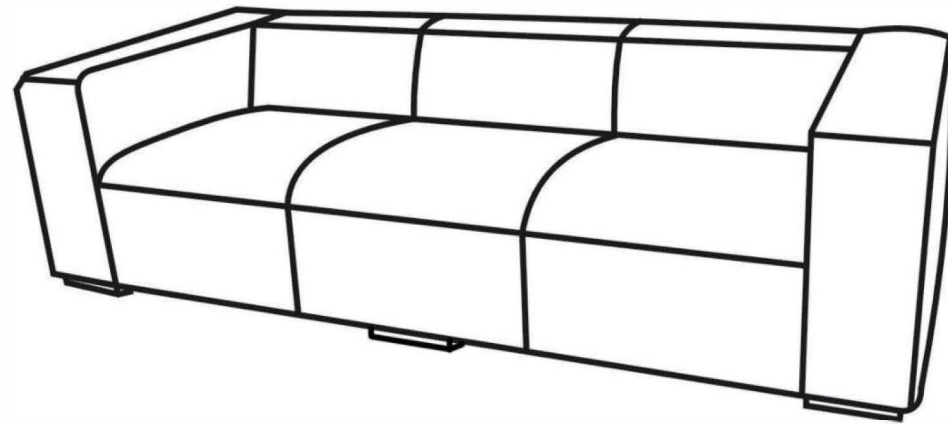







# **ASSEMBLY INSTRUCTIONS.**



THANK YOU FOR YOUR PURCHASE!

## PARTS AND HARDWARE.

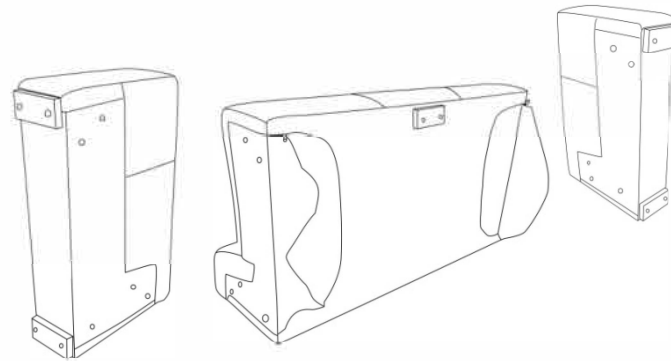
Image	Description	Q' TY
	Armrest	2Pcs
	Alan Screw	10Pcs
	Washer- 14*35*2mm	10Pcs
	Washer 10*20*1.2mm	10Pcs
	Allan Key	1Pc

## NOTES.

Thank you for purchasing this quality product! Be sure to check all packing material carefully for small part that may have come loose inside the carton during shipping.

**Caution:** The item is heavy, assembly should be performed by two people.

## STEP 1.



## STEP 2.

