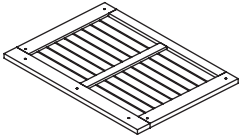
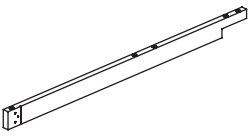
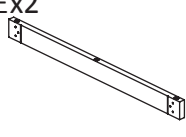

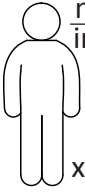
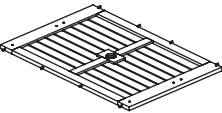
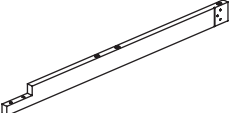


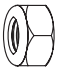
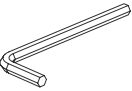
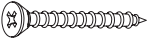


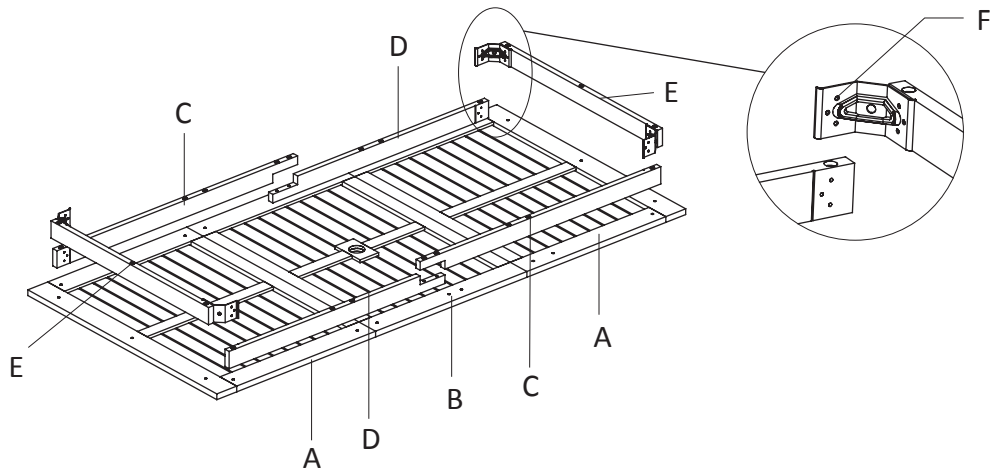
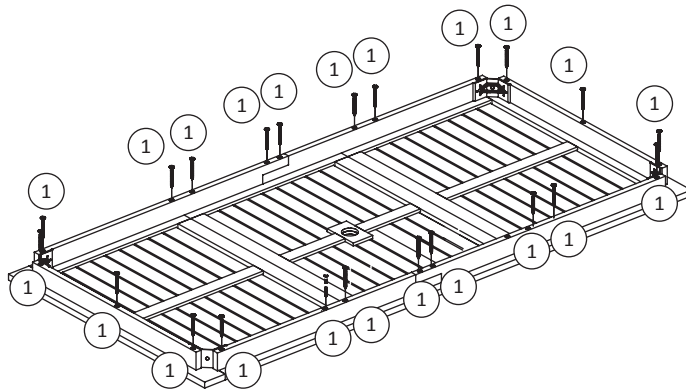


<p>Ax2</p> 	<p>Cx2</p> 	<p>Ex2</p> 	<p>Gx4</p> 	 <p>mm inch</p>
<p>Bx1</p> 	<p>Dx2</p> 	<p>Fx4</p> 		<p>x2</p>
<p>① x22</p>  <p>6x60 0.24x2.36</p>	<p>③ x4</p>  <p>M8x13 0.31x0.51</p>	<p>⑤ x2</p> 		
<p>② x24</p>  <p>4x20 0.16x0.79</p>	<p>④ x4</p>  <p>φ8/20x2 0.31x0.79x0.08</p>	<p>⑥ x1</p> 		

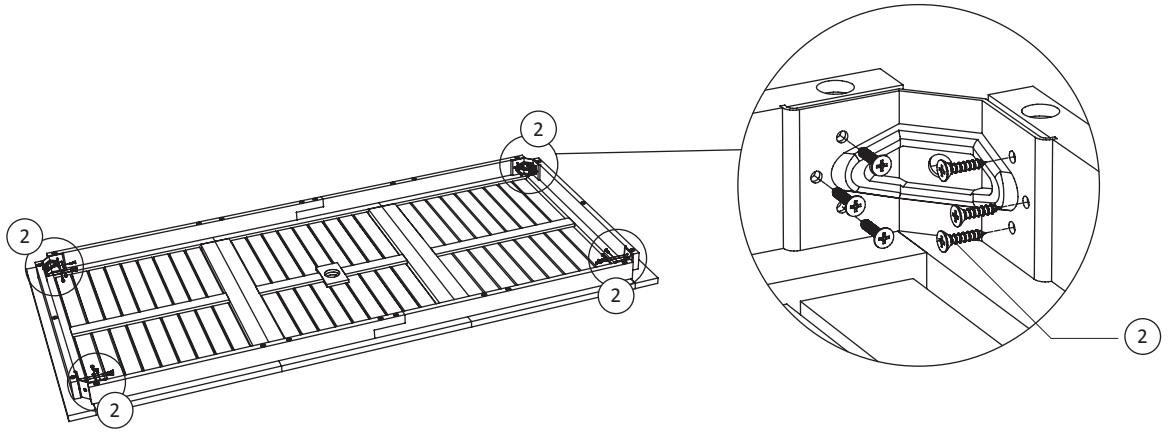
1



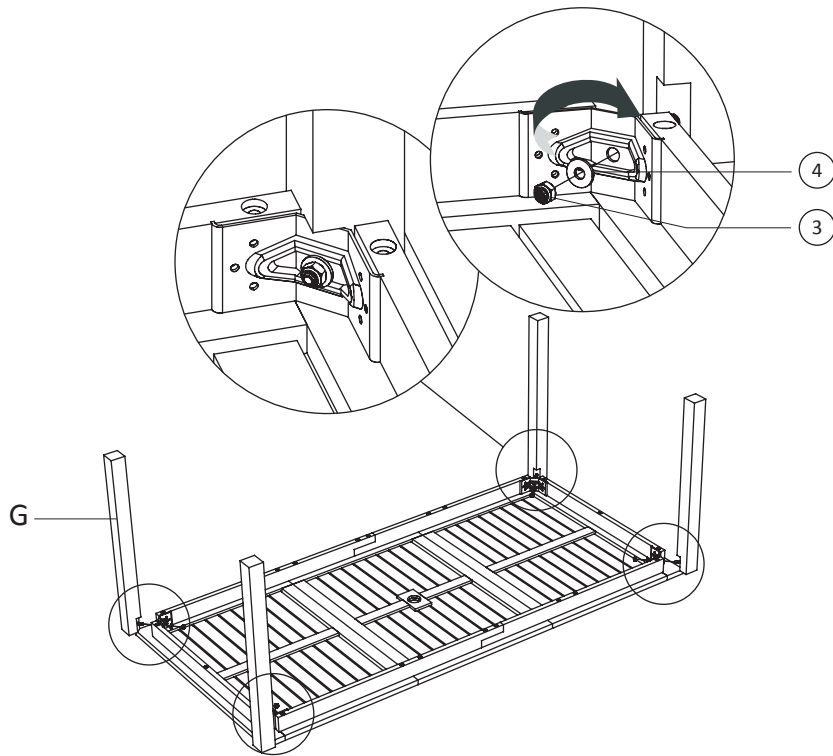
2



3



4



5

