

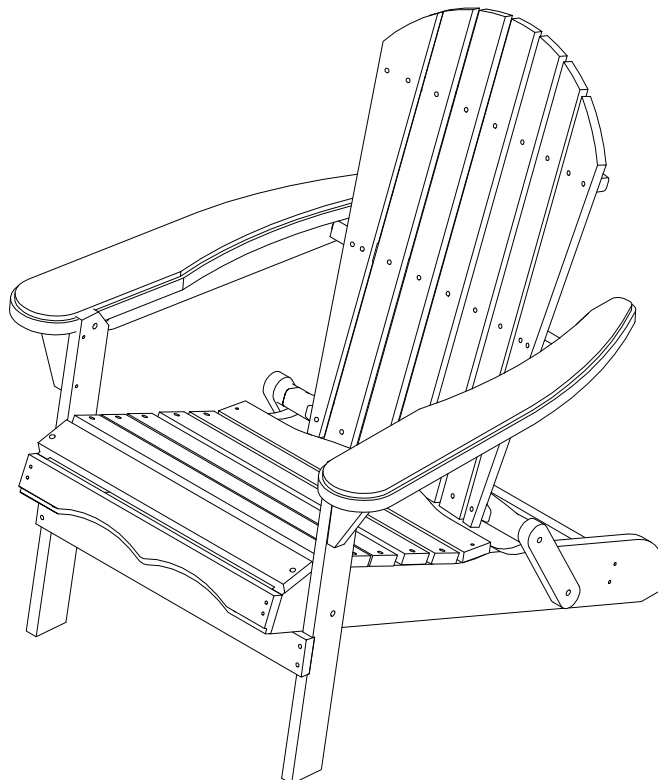
ASSEMBLY INSTRUCTIONS

Important Safety Instructions:

- Please read all instructions before beginning assembly
- Please make sure receive all the parcels to start the assembly
- For your safety and convenience, assembly by two people is recommended
- Use the parts and hardware lists to identify and separate each of the components included
- Save all packing materials until assembly is completed to avoid the accidental discarding of smaller parts or hardware

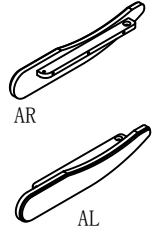
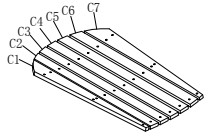
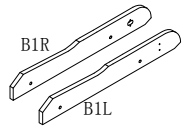
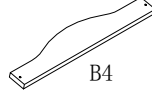
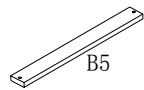
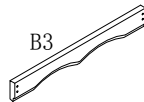
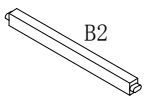
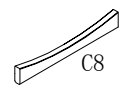

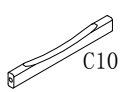
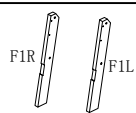
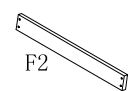


Assembly attention:

- Please pay attention to the alignment of the holes during installation.
- Please insert the screws in the right angle.
- This product contains parts that can be damaged if incorrectly assembled.
- Please follow instructions carefully.







THANK YOU FOR PURCHASING

PARTS LIST

ARM REST	2PCS	
BACK REST PANELS	7PCS	
BASE LEG	2PCS	
BASE BOTTOM SUPPORT	1PC	
SEAT SLATS	5PCS	
FRONT SEAT SLAT	1PC	
BASE LEGS CROSS BEAM	1PC	
TOP BACK REST CROSS BEAM	1PC	
MIDDLE BACK REST CROSS BEAM	1PC	
BOTTOM BACK REST CROSS BEAM	1PC	
FRONT LEG	2PCS	
FRONT LEG CROSS BEAM	1PC	
ARM REST CONNECTION	2PCS	
FOLDING BRACKET	2PCS	

HARDWARE LIST

Ⓐ		BOLT (3.5*40 mm)	53PCS+3
Ⓑ		BOLT (8*55 mm)	4PCS+1
Ⓒ		BOLT (8*55 mm)	6PCS+1
Ⓔ		WRENCH	1PC

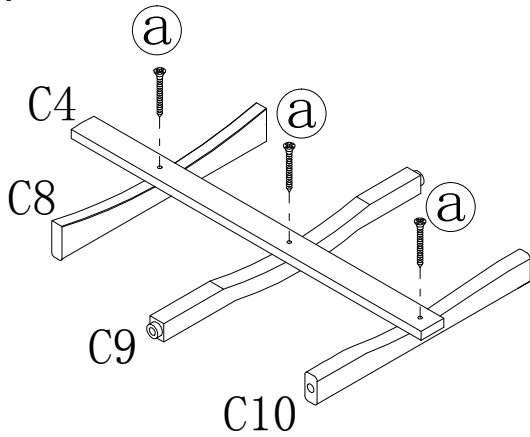
TOOLS REQUIRED (not included):

- > Driller with Cross Head Bit
or Philips screwdriver
- > Adjustable Wrench

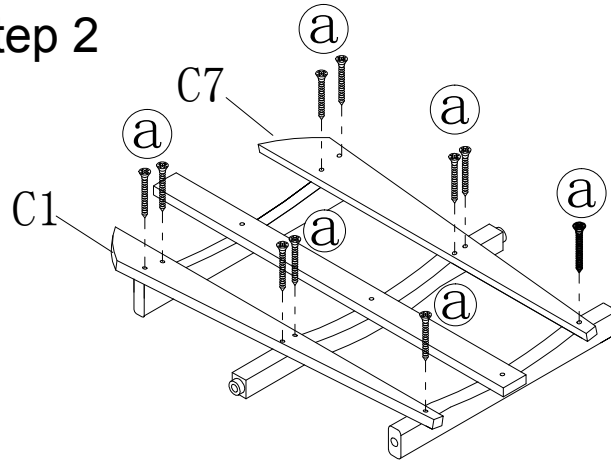
ASSEMBLY INSTRUCTION STEPS

Please make sure that there is no space between the top parts and the bottom parts before turning the screws.

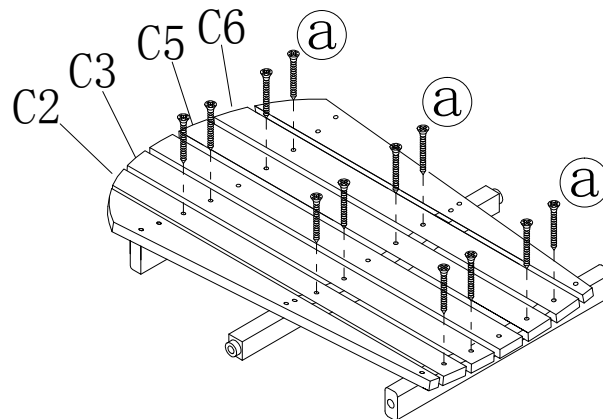
Step 1



Step 2

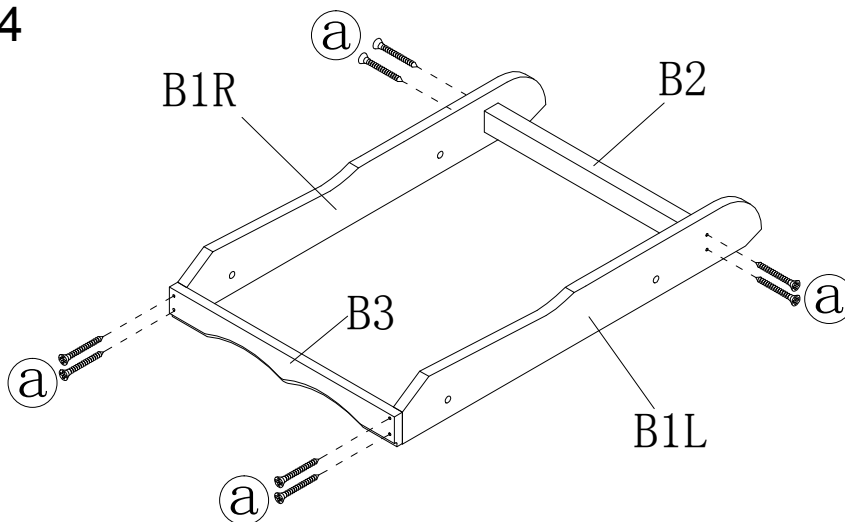


Step 3

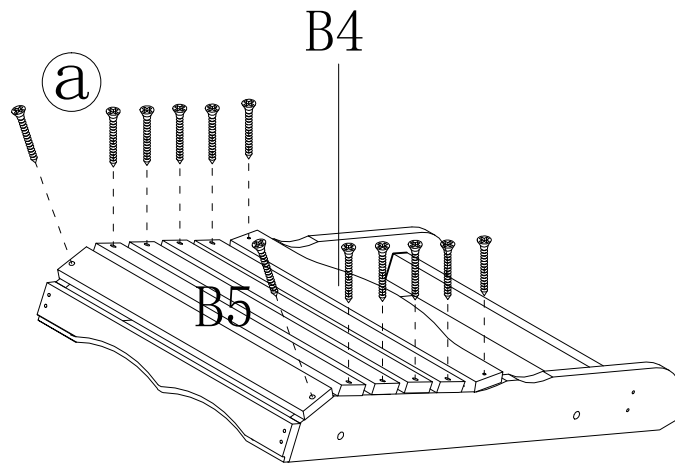


Do not tighten bolts until all parts are connected and aligned.

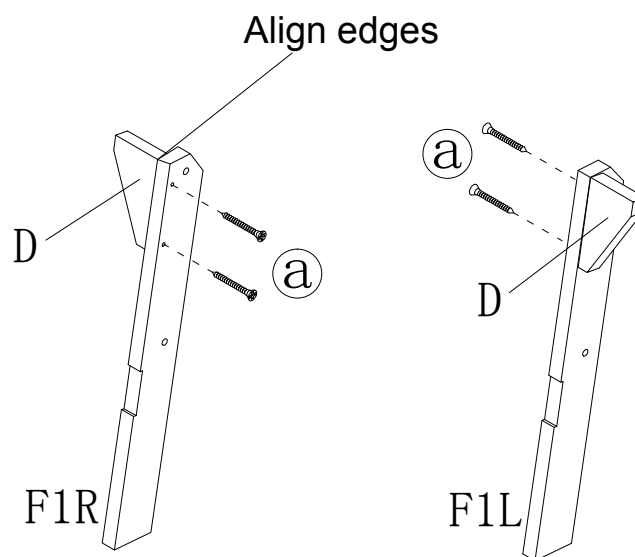
Step 4



Step 5

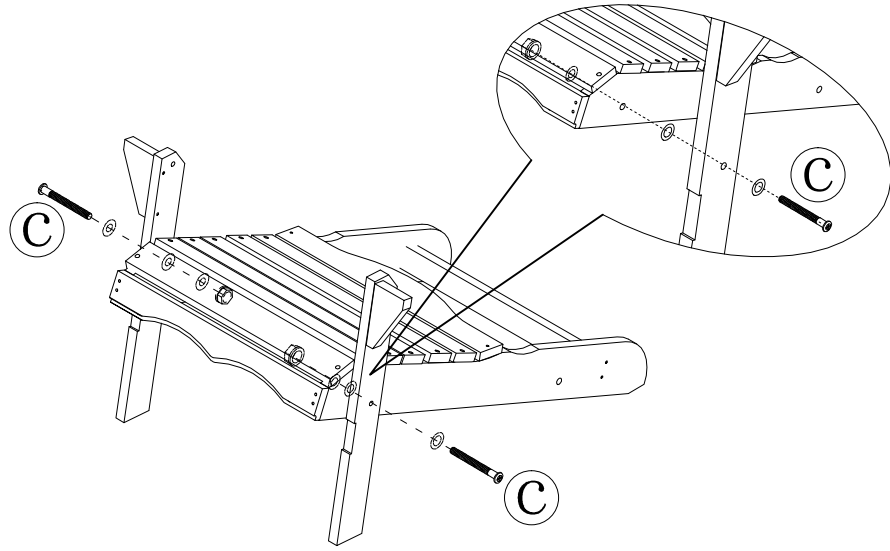


Step 6

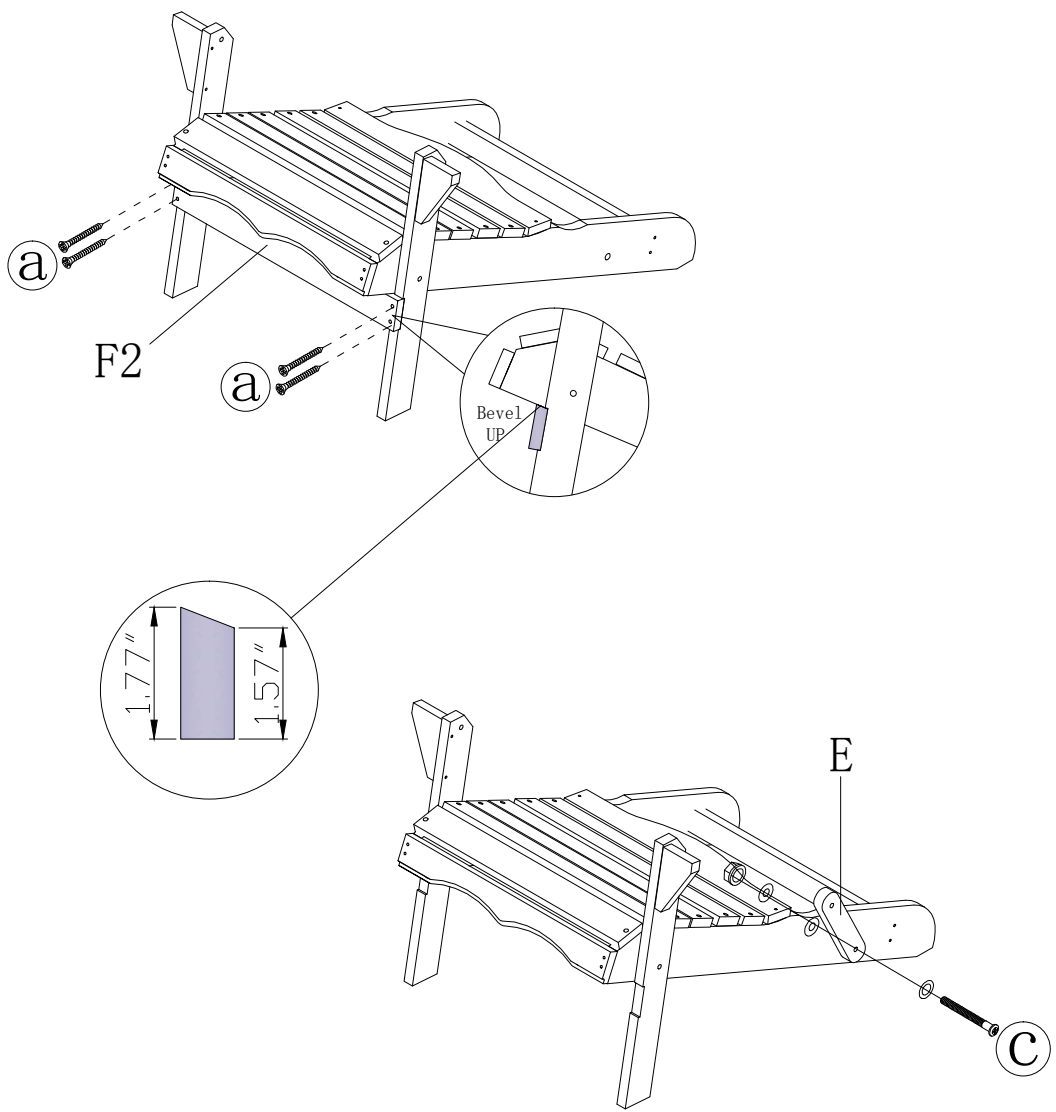


The top plane of part D should be aligned with the top edge of F1R and F1L to avoid the wood damage caused by misaligned position when turning the screws.

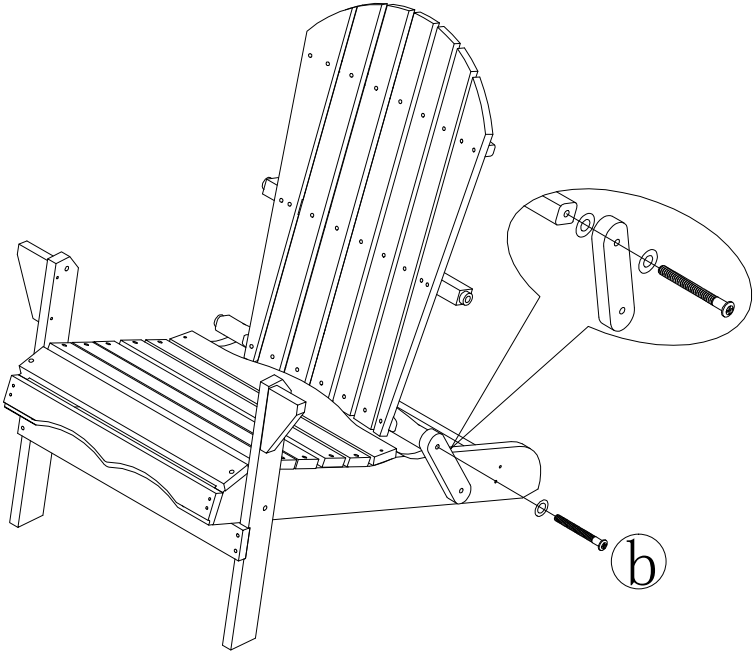
Step7



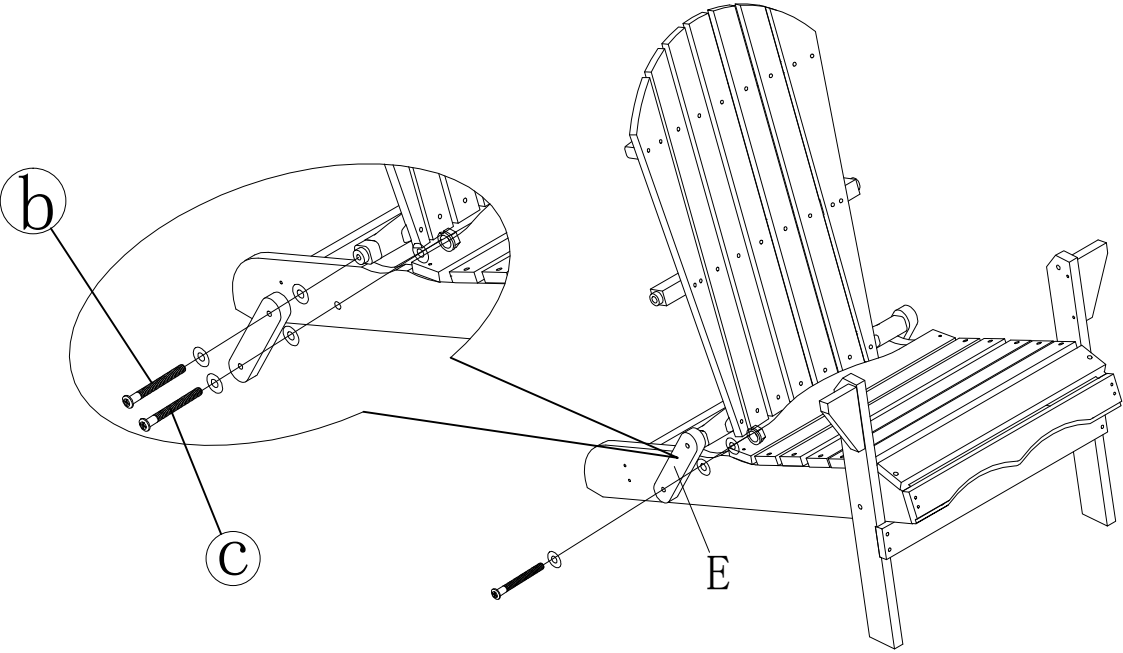
Step8



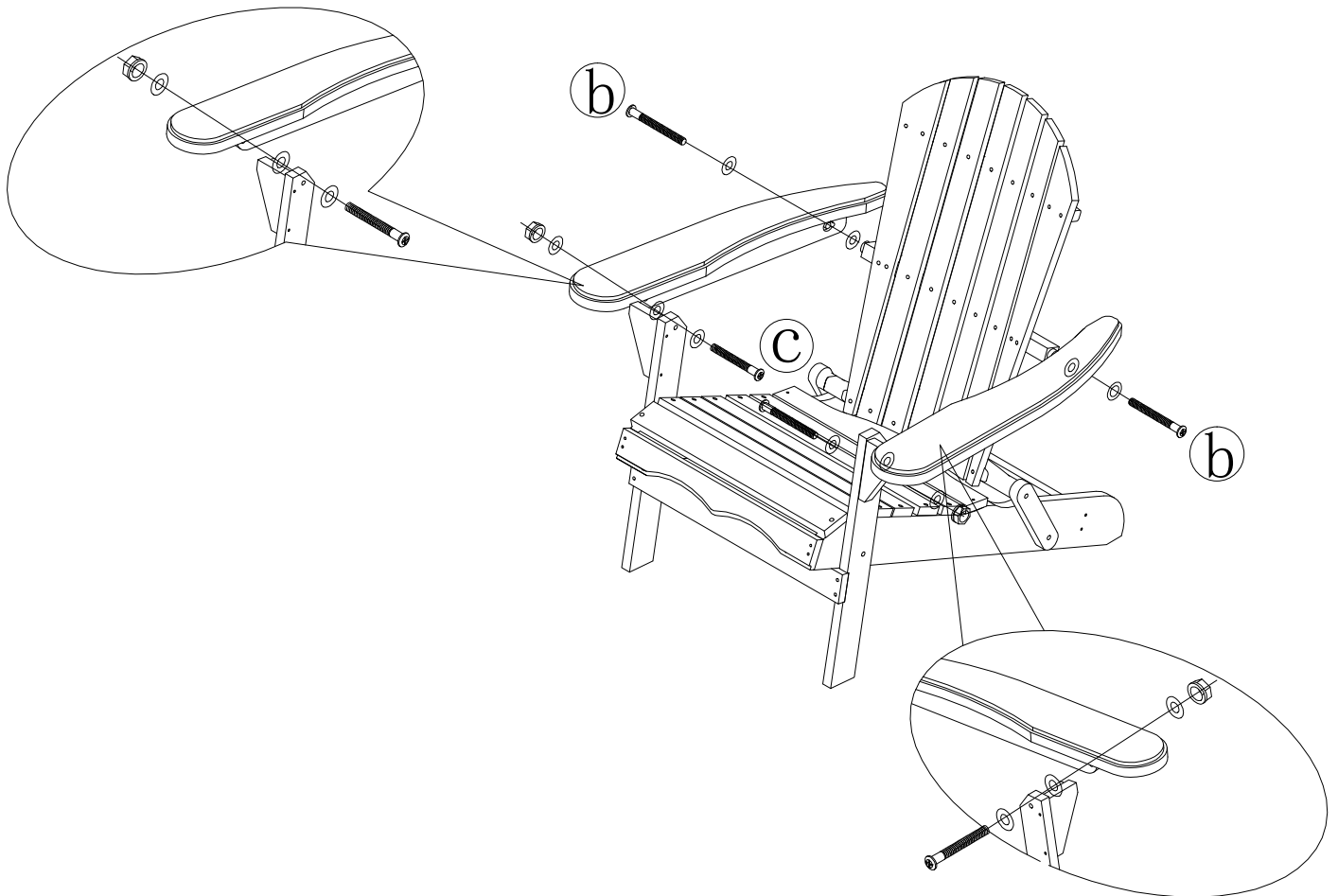
Step9



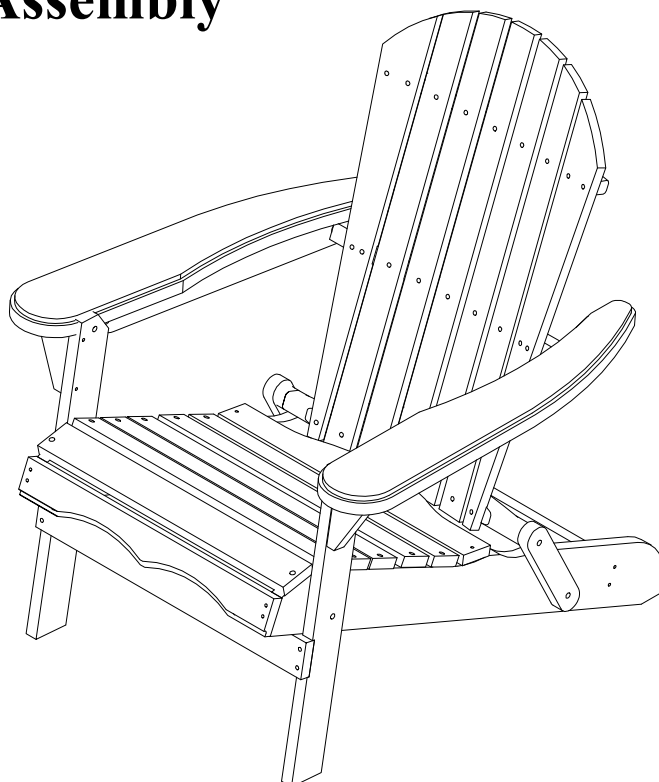
Step10



Step 11



Final Assembly



Furniture Care & Cleaning Instructions

- Under direct exposure to sunlight for a prolonged time, the product may show some discoloration.
- Prolonged exposure of the product to extreme heat, cold, or humidity may cause the materials to swell or warp with time (due to its natural behaviour under extreme conditions)
- With time, moisture can cause the materials to show some damage. Clean the product periodically to extend its lifespan.
- Cover furniture with outdoor covers (sold separately) when left outside during inclement weather or when not in use.
- Wipe spills with a clean dry cloth. Do not use chemicals or abrasives for cleaning!
- TAKE NOTE: THE BOLTS MAY SLIGHTLY LOOSEN OVER TIME. IF YOUR FURNITURE FEELS "WOBBLY" OR LOOSE, PLEASE RE-TIGHTEN BOLTS.

Wood Furniture Care & Cleaning Instructions:

To maintain the quality of your wood furniture, do not expose it to direct sunlight or excessive temperatures; extreme changes in humidity can cause warping. Always use coasters, pads, cloth or felt to protect the furniture surface. Use protective mats under hot dishes. Use a protective pad when writing with a pen. Lift objects rather than dragging them over the furniture surface. Blot spills immediately with a clean cloth. Dust often using a soft, clean, lint-free cloth. Avoid harsh fabrics, paper towels or disposable dusting towels as they may scratch the surface. Use a non-silicone and non-wax polish; do not use soap, water or wax.

Outdoor Furniture Cushions:

Extend the life of your cushions by keeping them free of dirt and foliage. Periodically shaking or rinsing the cushions is recommended. Thoroughly flush using a hose with cold water to remove all soil and residue. For deeper cleaning, spot clean with mild soap. Do not machine wash or use chlorine bleach. Stand cushions on end and dry completely in the sun before using or storing. Do not place in dryer. To prevent mildew, never wrap in plastic for storage and ensure the cushion is completely dry before storing. Store indoors when not in use for long periods of time or during inclement weather.

FURNITURE WARRANTIES

CUSHION AND WOOD COMPONENT

Limited 90 days warranty from date of delivery against manufacturer defects or excessive deformity of cushions and components under normal use and conditions. Replacements and repairs will be in the original color and style, if available; a similar color and style will be offered if the original has been discontinued.

IMPORTANT LIMITATIONS

Please note that our warranties do not cover failure due to any repairs or modifications to the product after purchase, accidental damage, abuse, misuse, commercial use, or normal wear and tear, including: fading, scratched or chipped finishes, weathering under normal weather conditions, staining or discoloration. The term "lifetime" as used in this statement of warranties shall mean a period of no longer than 30 years from the date of delivery of any item covered by a 90 days warranty. The limited warranties described above are extended to the original purchaser of the product only.

What is Proposition 65?

Proposition 65 is a California law that requires warning labels on products that may contain one of more than 800-plus chemicals or ingredients that the California Office of Environmental Health Hazard Assessment(OEHHA) has deemed to cause cancer or other reproductive toxicity. chemicals and elements on this list include wood dust , brass , and other everyday substances, which can be found in very common household items, such as : lamps , tableware , jewelry , crystal glasses , electric cords , beauty products , automobiles , and furniture.

Why Did I Find a Proposition 65 Warning on My Home Goods Product?

We include Proposition 65 warnings on all of our products because there is always a chance that one of the 800-plus common chemicals and ingredients listed under this law could potentially be on our furniture or packing materials. We risk large fines under this law , if we don't include this warning.

Should I worry?

We realize you may be worried finding this warning on our products , but we want to reassure you that the hazardous exposure limits for any of these chemicals have never been found on furniture products that we've shipped to our customers. Additionally, this warning label is very common and can be found on almost every piece of furniture sold in the state of California.

Just How Common Are Proposition 65 Warnings?

Proposition 65 warnings have become so common in California that it is hard to take a trip to local bank, grocery store , or restaurant without finding at least one warning. In fact, even the Disney Land Resort has a Proposition 65 warning:

