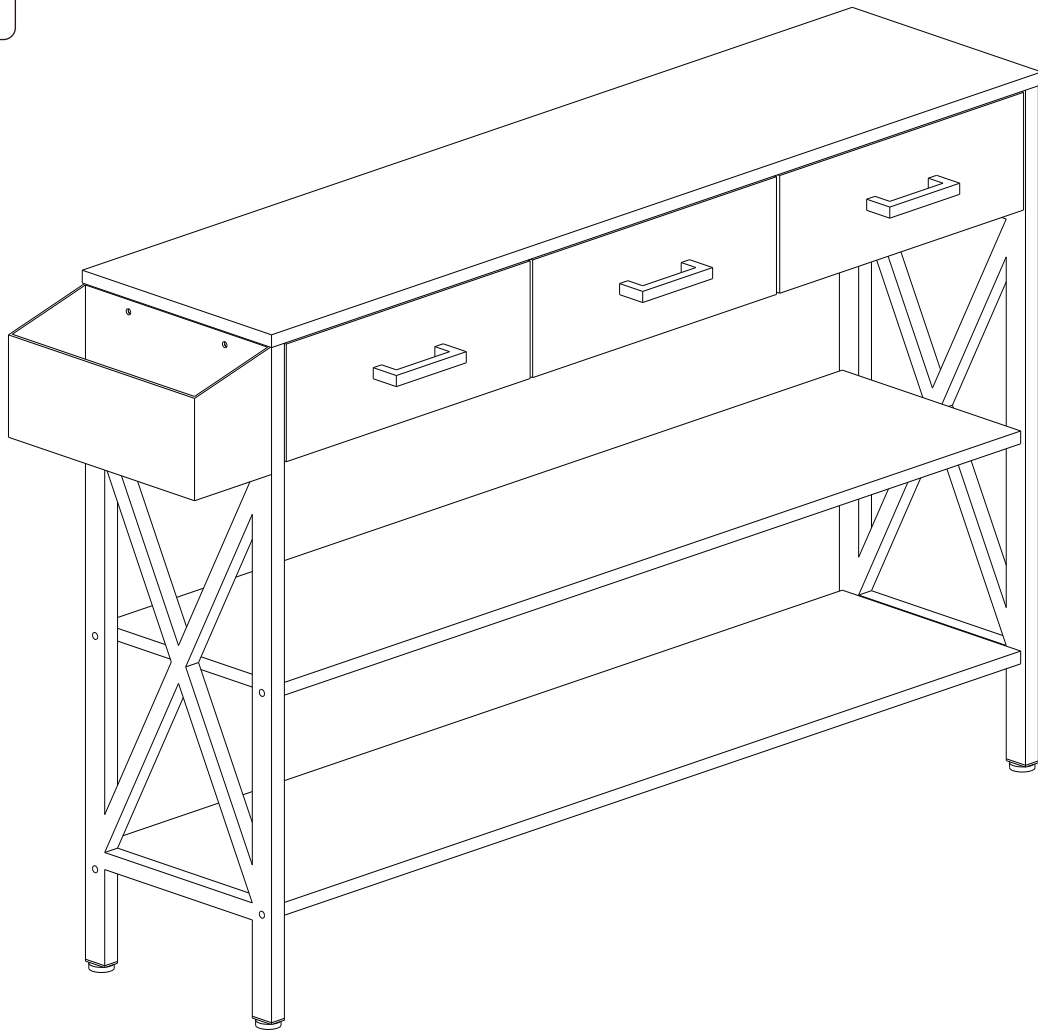


60Mins

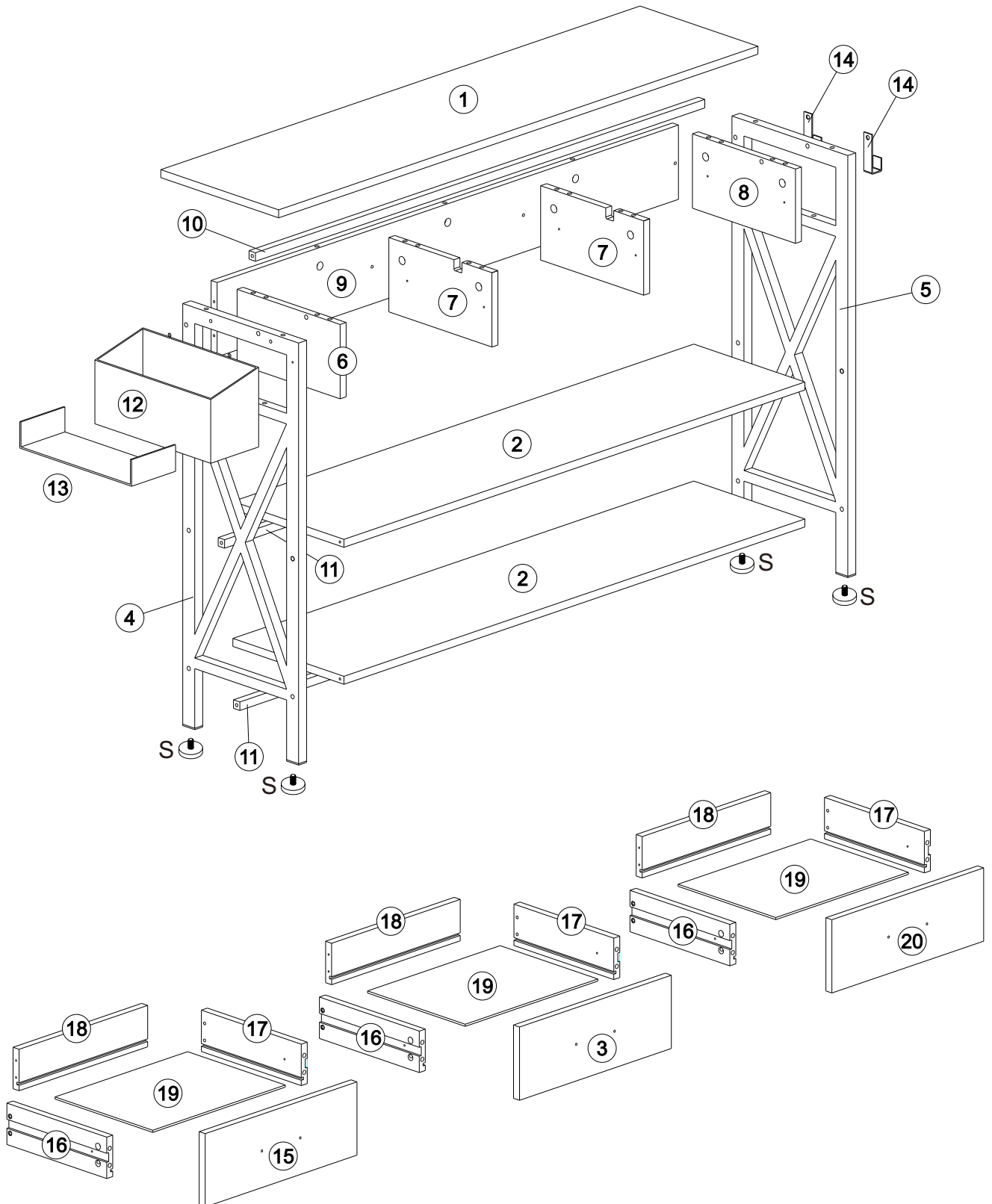


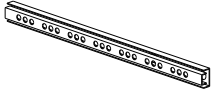
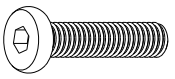
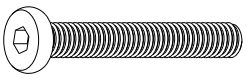
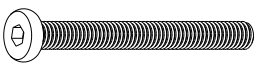
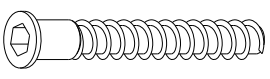
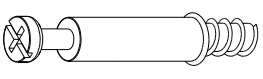
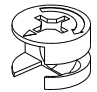

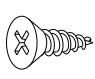
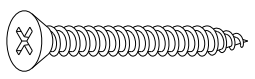

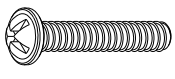
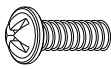
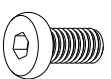
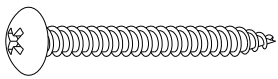
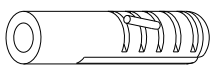
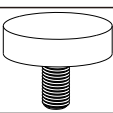
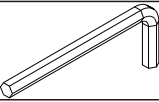
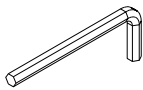
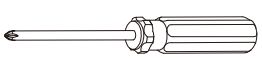
x2

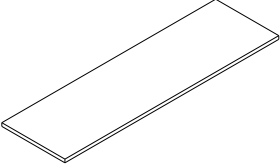
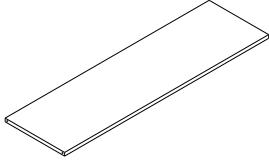
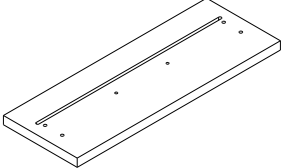
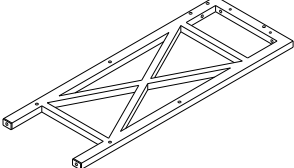
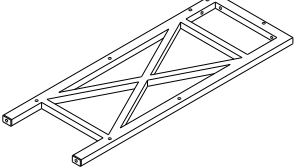
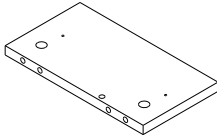
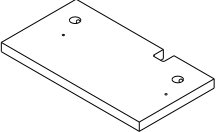
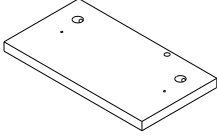
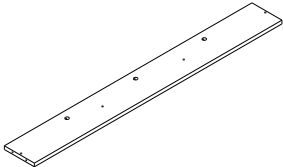
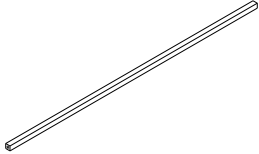
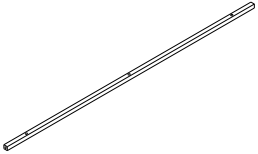
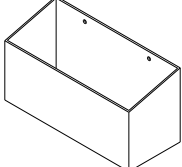
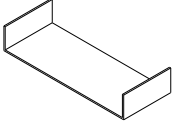

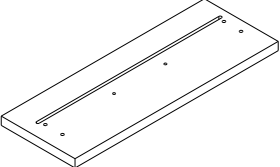
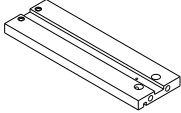
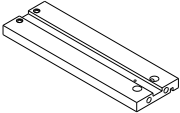
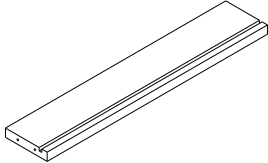
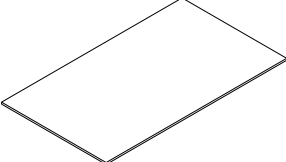
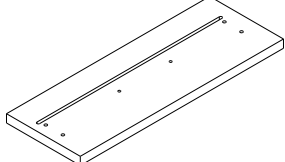


## Exploded View

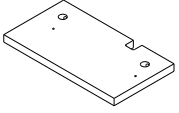


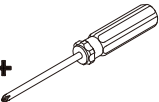
Note: When assembly, do not tighten the screws one by one first until making sure all the corresponding screws are placed in the right positions.

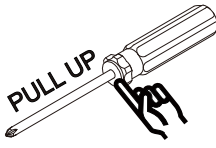




Label	Part Image	Description	Qty
A		245mm	x6
B		M8x25mm(Silver)	x6
C		M8x40mm	x4
D		M6x55mm	x6
E		M7x48mm	x12
F		M6x45mm	x23
G		Ø15x12mm	x23
H		Ø8x30mm	x8
J		M3.5x12mm	x12
K		M4x35mm	x12
L		Handle	x3
M		M4x18mm	x6
N		M4x12mm	x6
P		M6x12mm	x4
Q		M5x50mm	x2
R		Plastic Dowel	x2
S		M8x15mm	x4
T		M5 Allen Key	x1
U		M4 Allen Key	x1
V		Screwdriver	x1



Label	Part Image	Label	Part Image
①	 x1	②	 x2
③	 x1	④	 x1
⑤	 x1	⑥	 x1
⑦	 x2	⑧	 x1
⑨	 x1	⑩	 x1
⑪	 x2	⑫	 x1
⑬	 x1	⑭	 x2
⑮	 x1	⑯	 x2
⑰	 x2	⑱	 x2
⑲	 x2	⑳	 x1

Step 1


<p>7 x 2</p> 	<p>A x 4</p> <p>245mm</p> 	<p>J x 8</p> <p>M3.5x12mm</p> 	<p>V x 1</p> 
---	---	---	--


I  PULL UP


II  

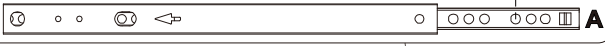
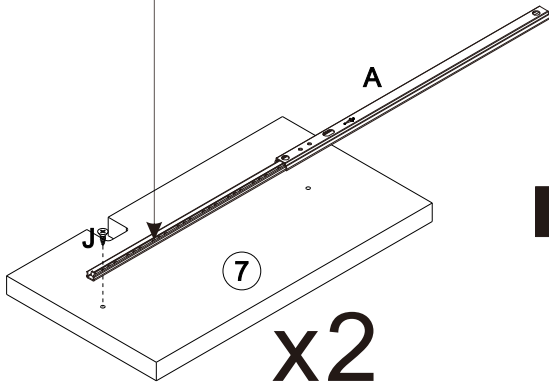
III  OR 

Screwdrivers can be converted to Phillips and Slotted.

I  install the first hole →



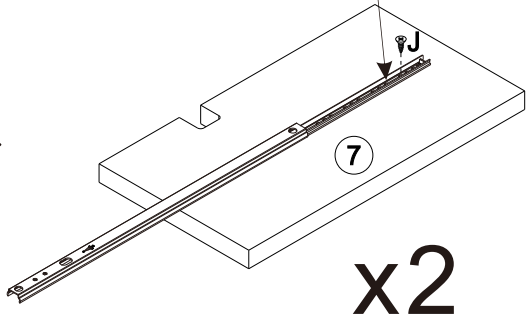
← II  install the third hole

A

7

x2





J


7


x2


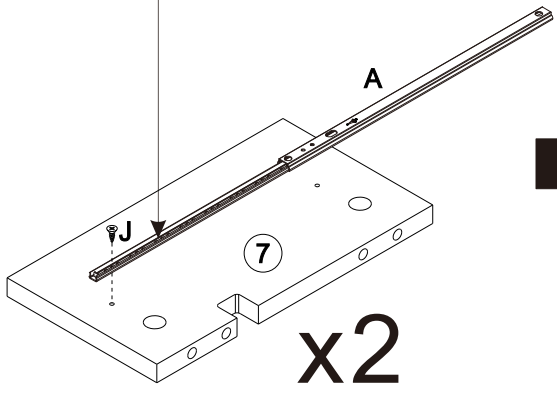
Install the other side



I  install the second hole →



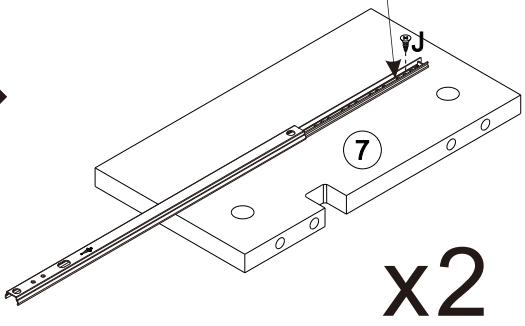
← II  install the second hole

A

7

x2



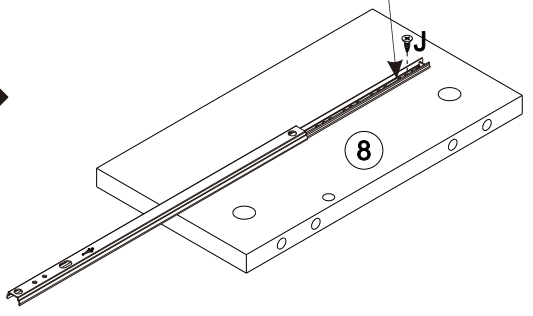
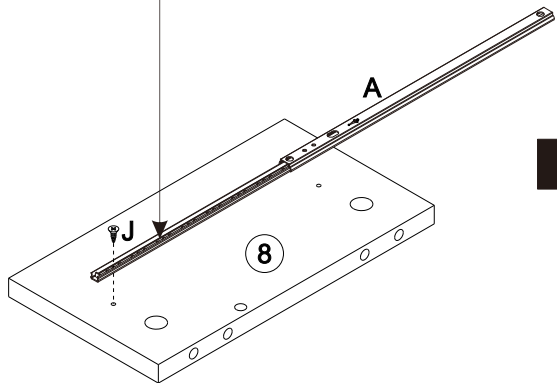
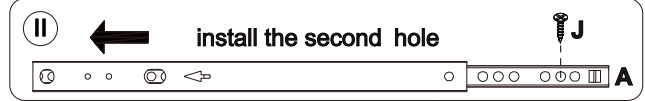
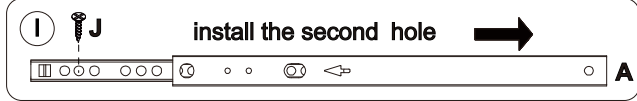
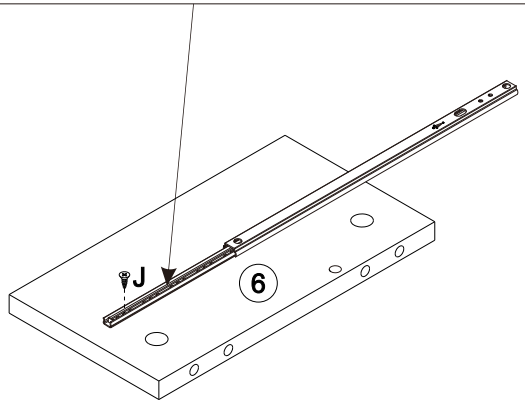
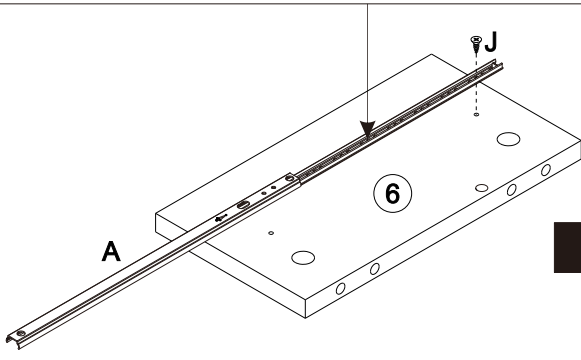
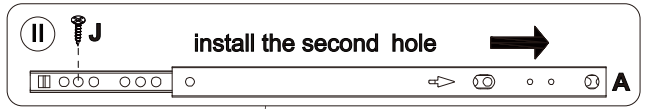
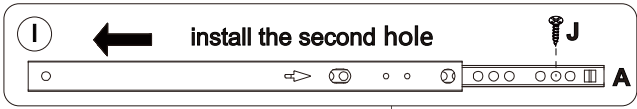
J

7

x2

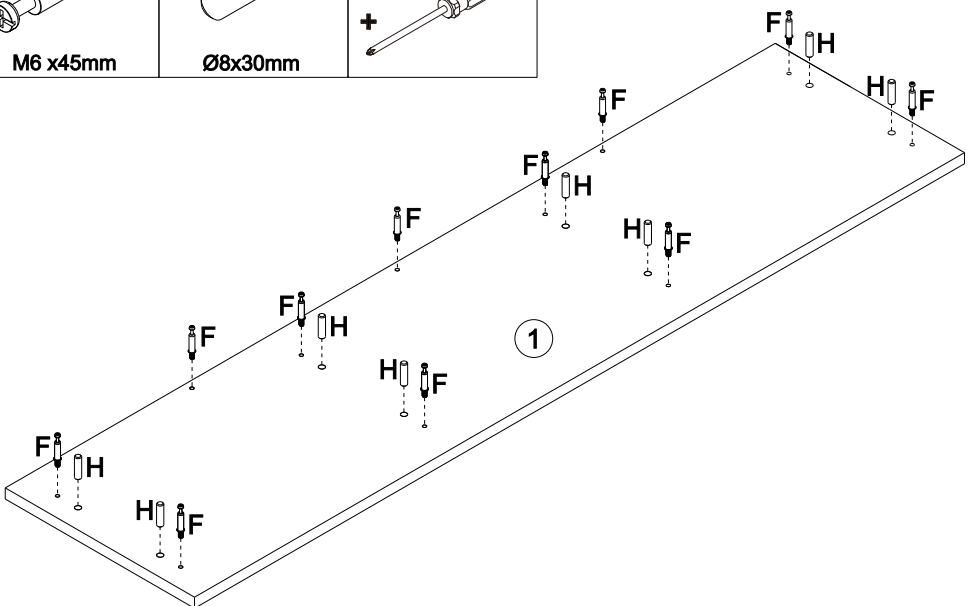
**Step 2**

<b>6 x1</b> 	<b>8 x1</b> 	<b>A x2</b>  245mm	<b>J x4</b> 	<b>V x1</b> 
-----------------	-----------------	--------------------------	-----------------	-----------------

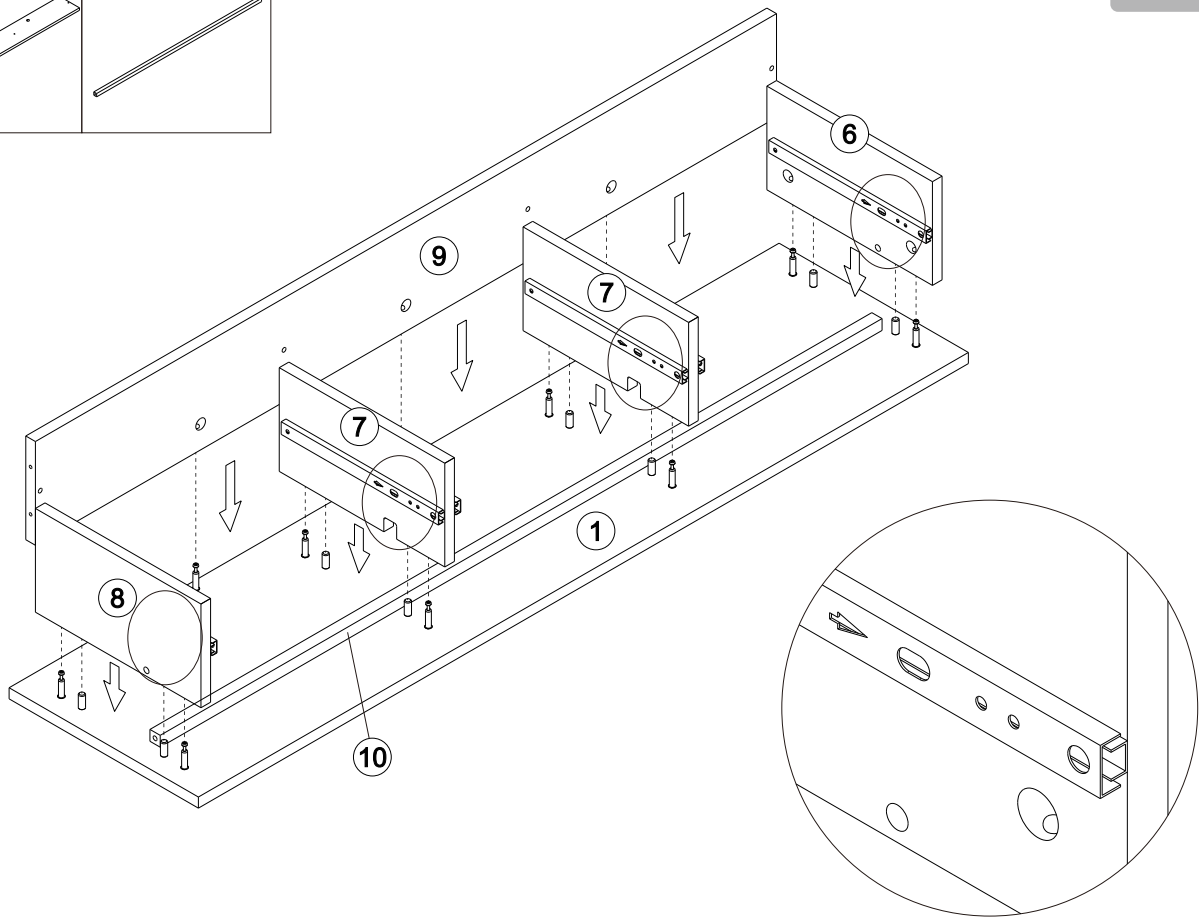
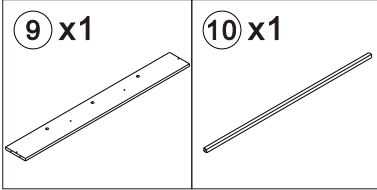


<b>1 x1</b> 	<b>F x 11</b>  M6 x45mm	<b>H x 8</b>  Ø8x30mm	<b>V x 1</b> 
-----------------	-------------------------------	-----------------------------	------------------

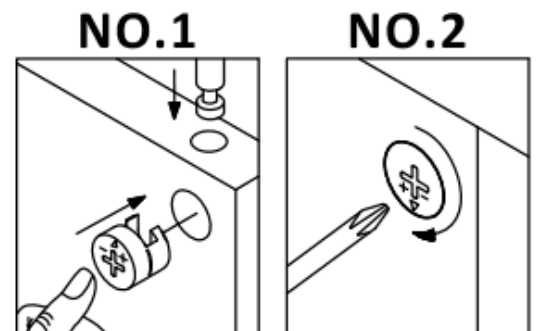
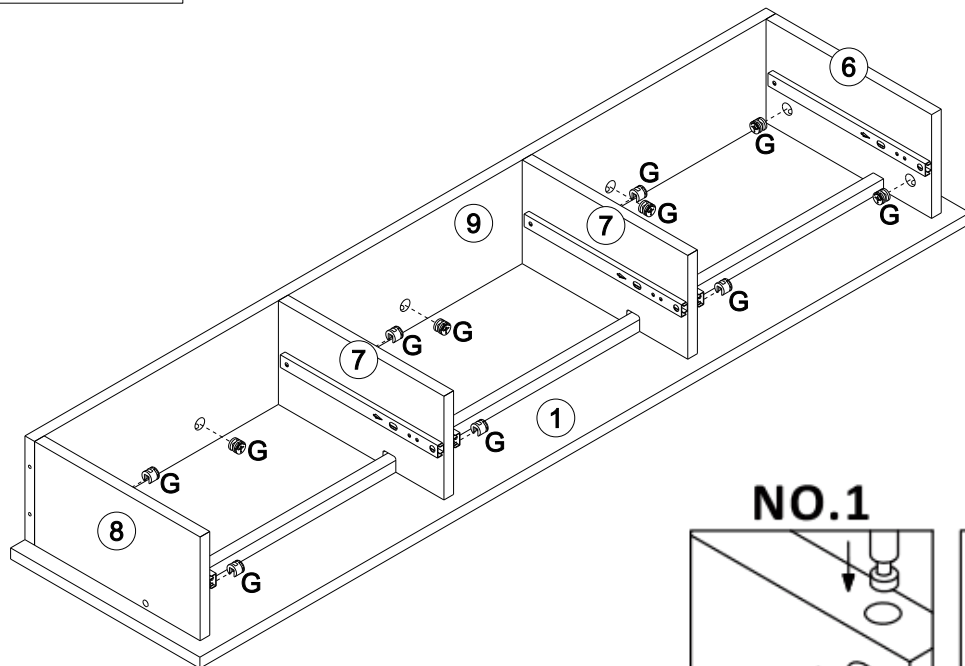
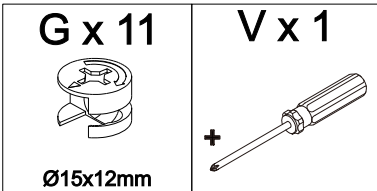
**Step 3**



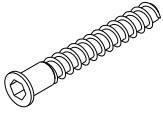
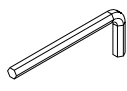
## Step 4

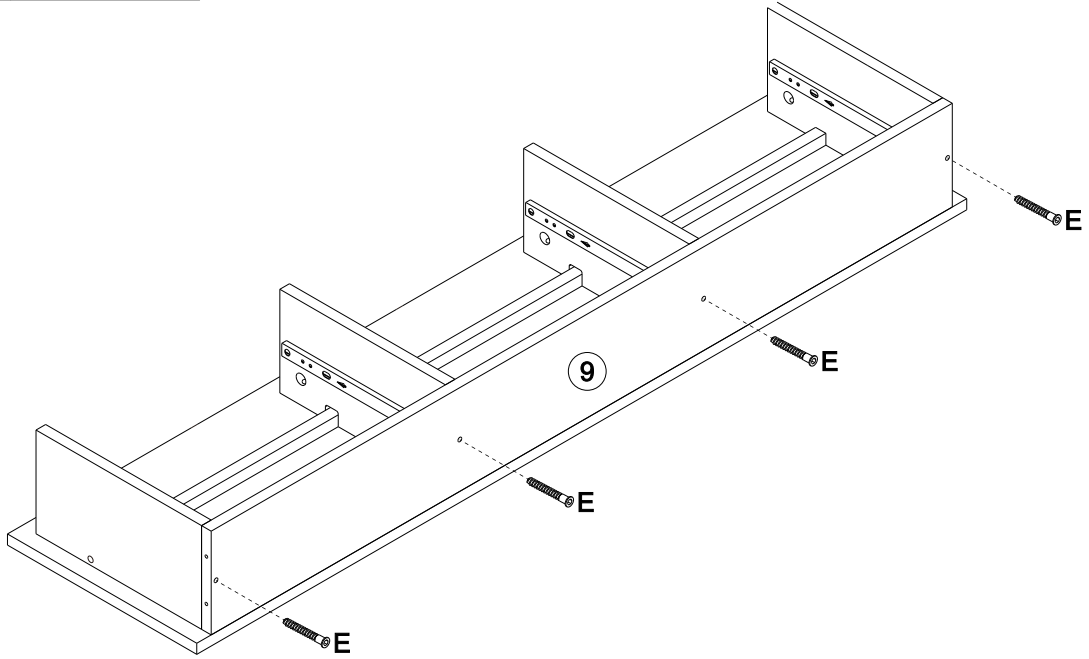


## Step 5

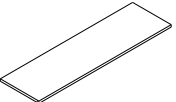
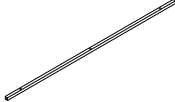
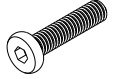
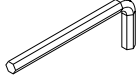


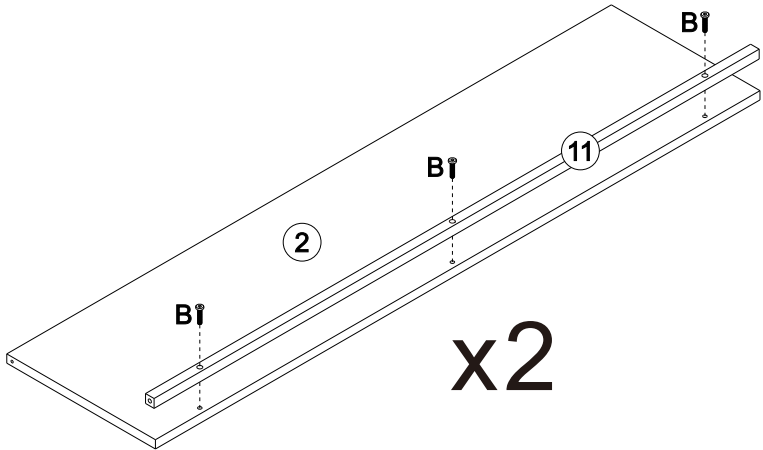
Step 6

<b>E x 4</b>  M7x48mm	<b>U x 1</b>  4mm
--	--

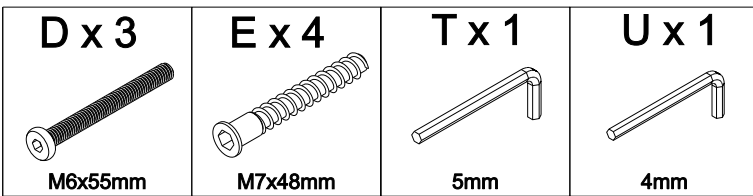
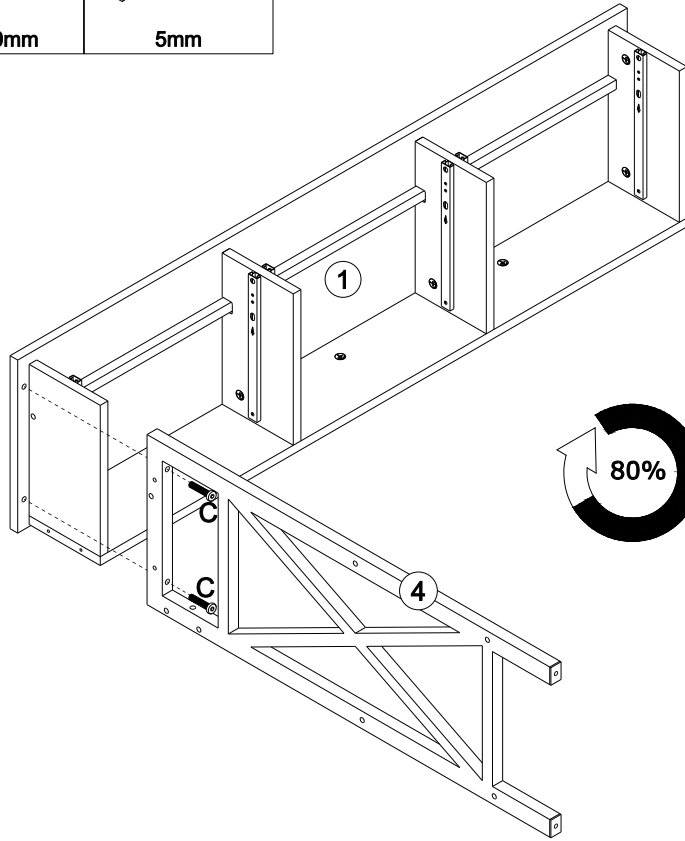
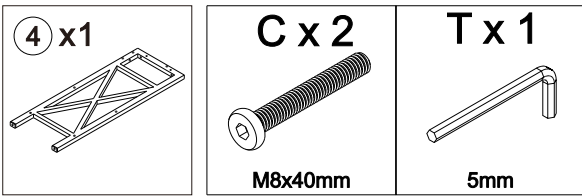


Step 7

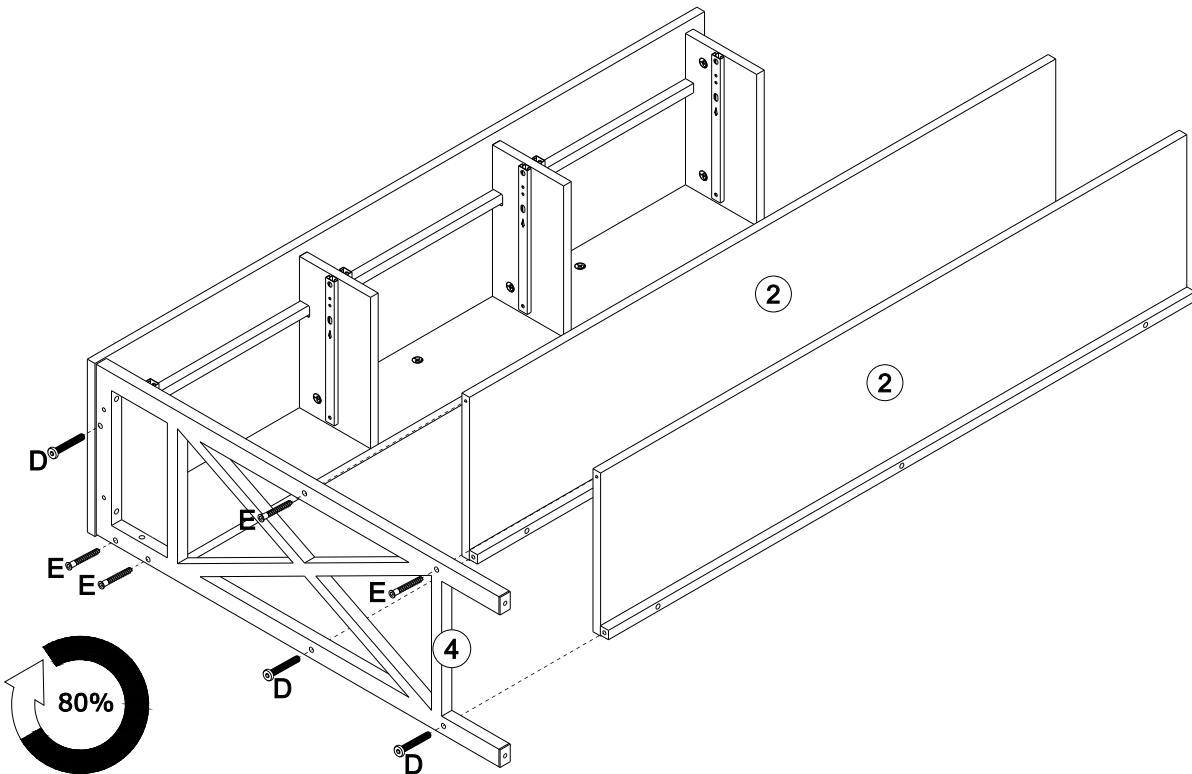
<b>2 x 2</b> 	<b>11 x 2</b> 	<b>B x 6</b>  M8x25mm(Silver)	<b>T x 1</b>  5mm
---	--	--	--



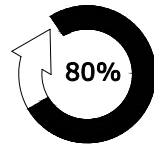
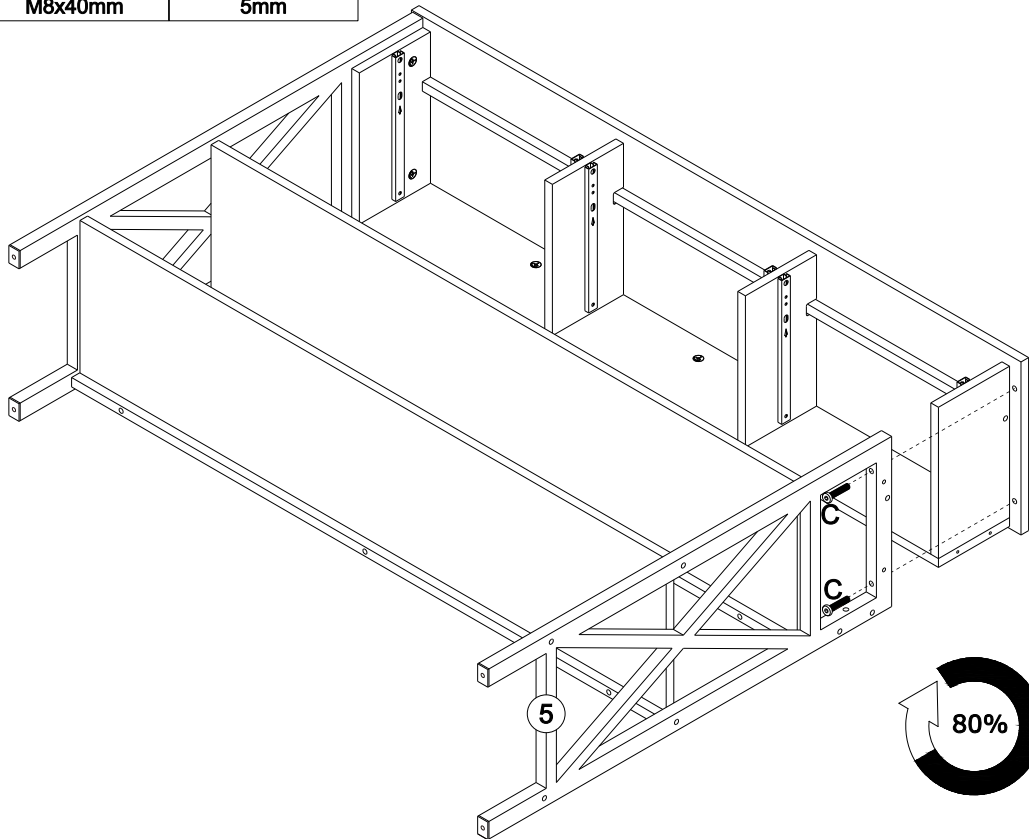
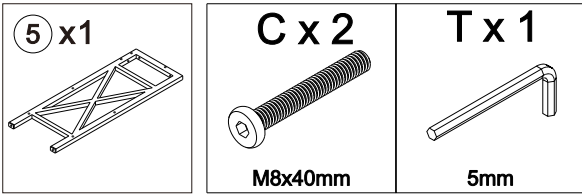
Step 8



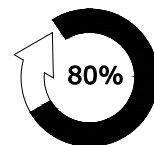
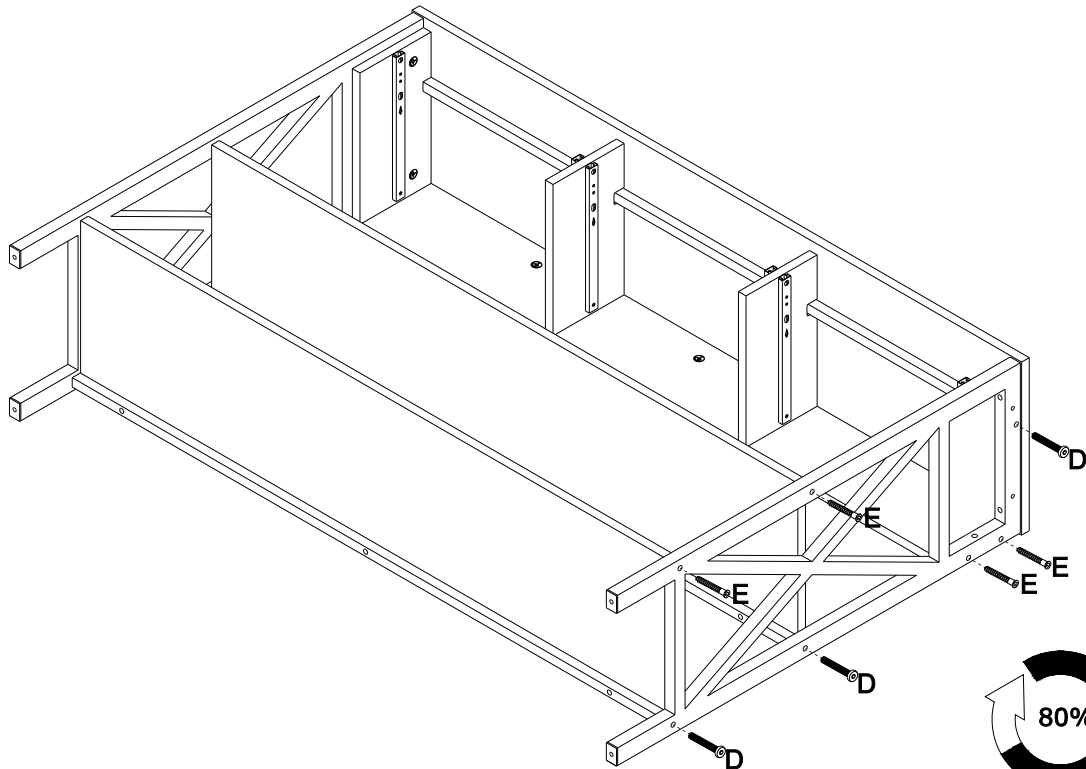
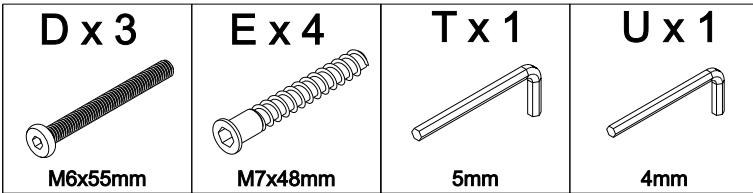
Step 9




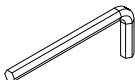
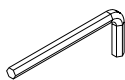
Step 10

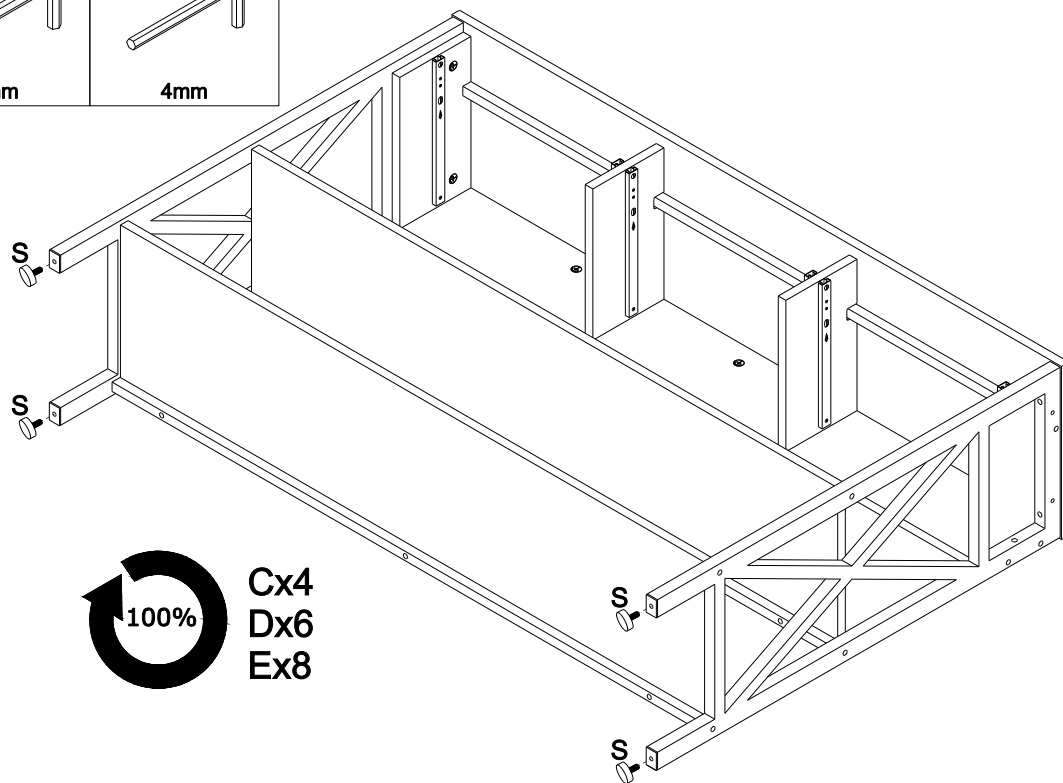


Step 11

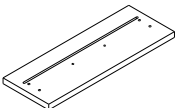
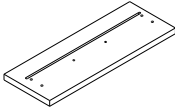
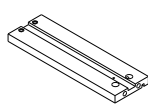
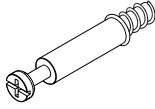
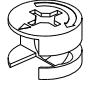
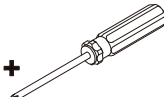


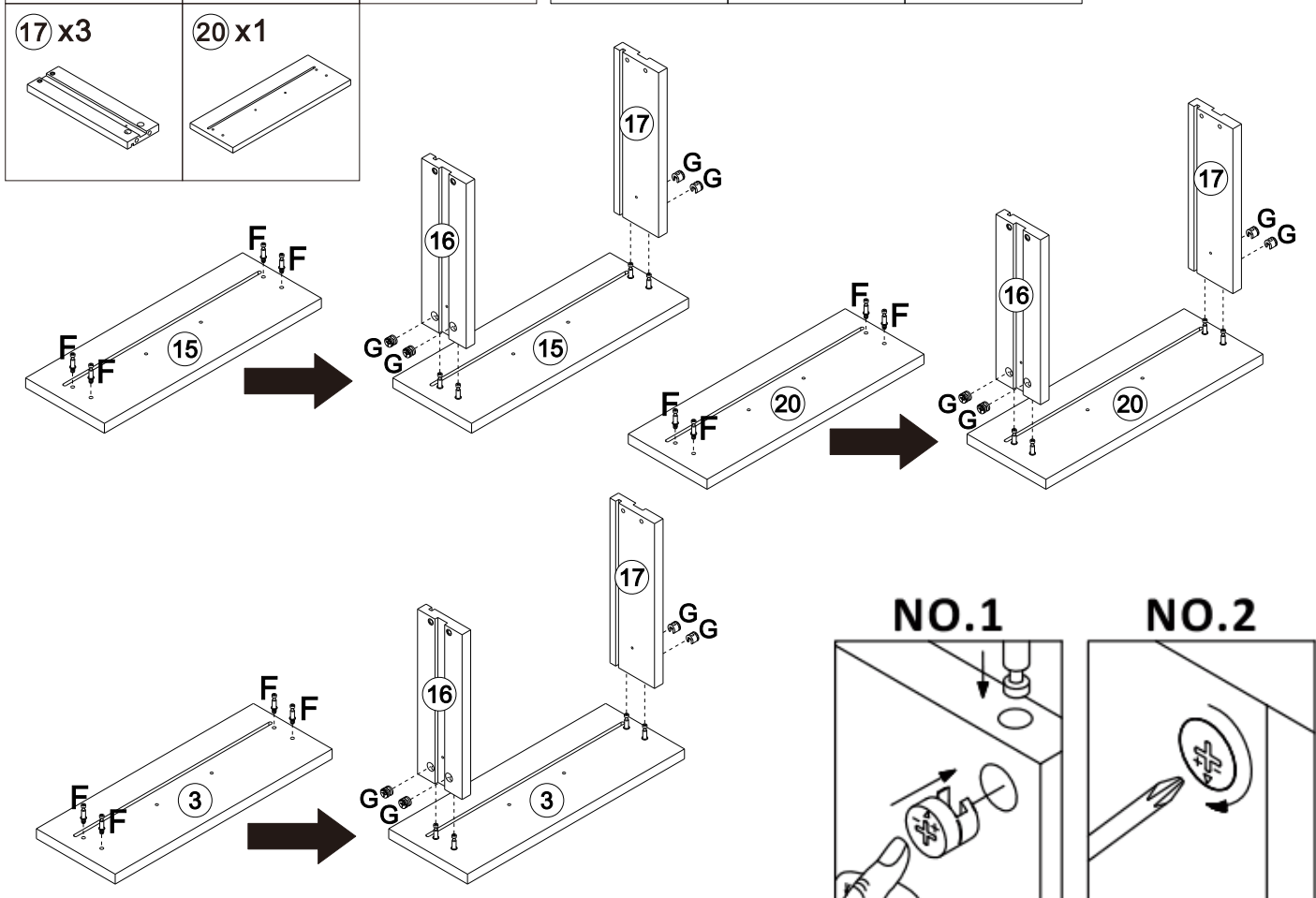
**Step 12**

<b>S x 4</b>  M8x15mm	<b>T x 1</b>  5mm	<b>U x 1</b>  4mm
--	--	--

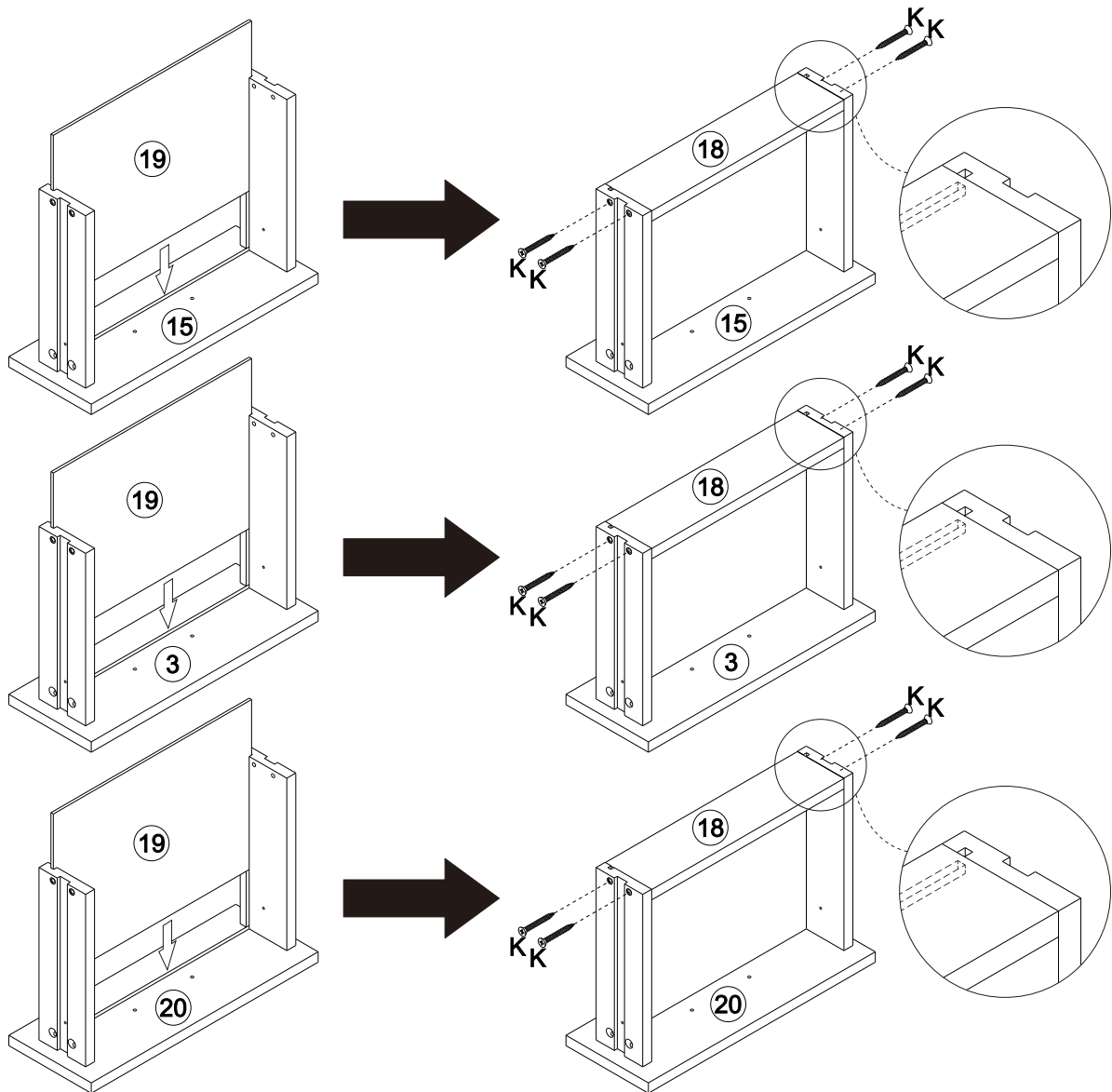
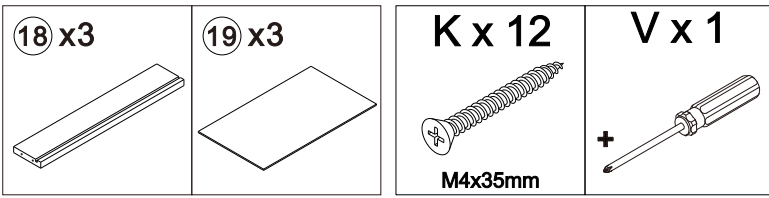


**Step 13**

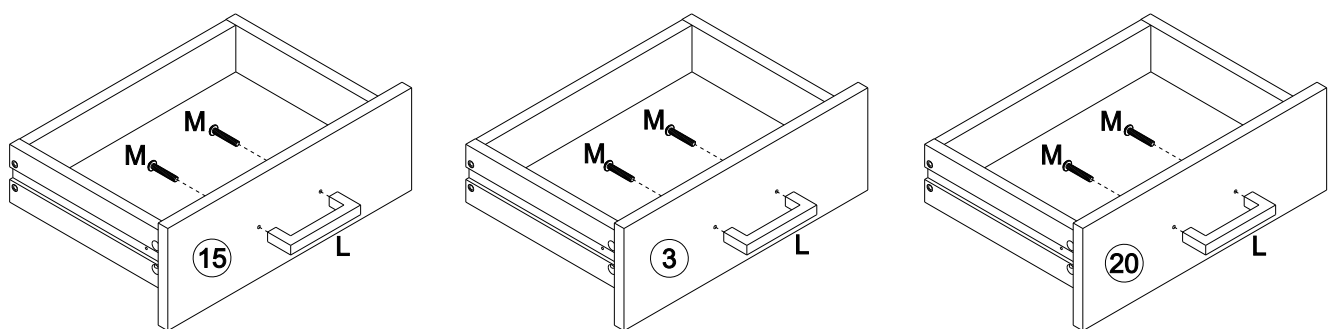
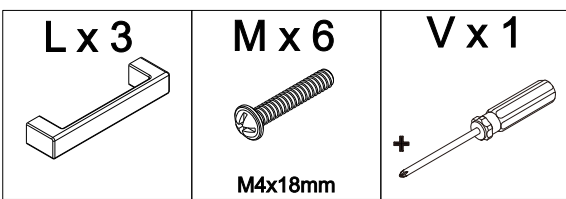
<b>3 x 1</b> 	<b>15 x 1</b> 	<b>16 x 3</b> 	<b>F x 12</b>  M6x45mm	<b>G x 12</b>  Ø15x12mm	<b>V x 1</b> 
--	--	--	---	---	---



Step 14



Step 15



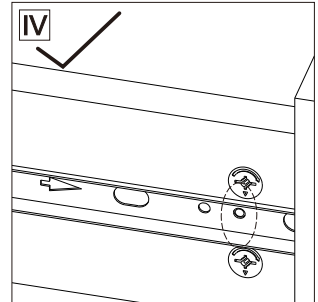
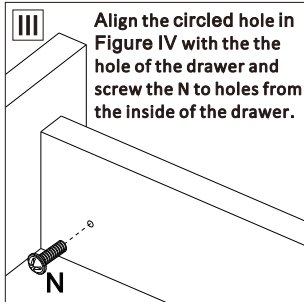
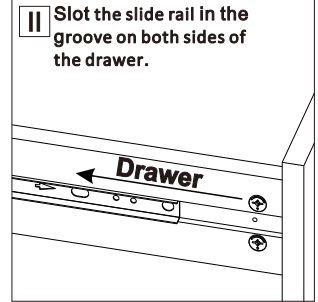
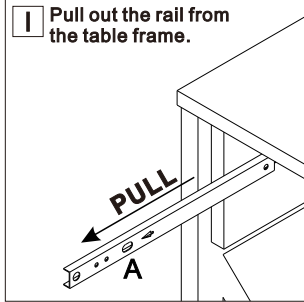
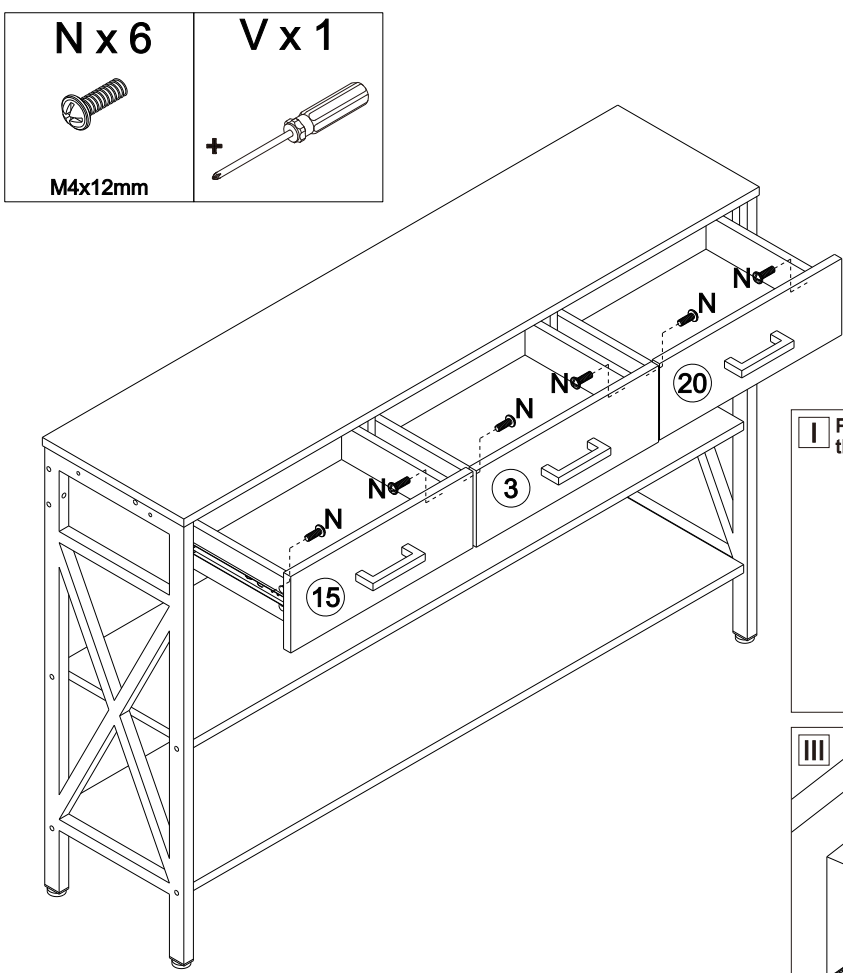
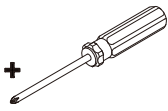
**Step 16**

**N x 6**



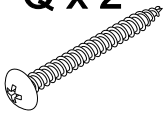
M4x12mm

**V x 1**



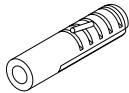
**Step 17**

**Q x 2**

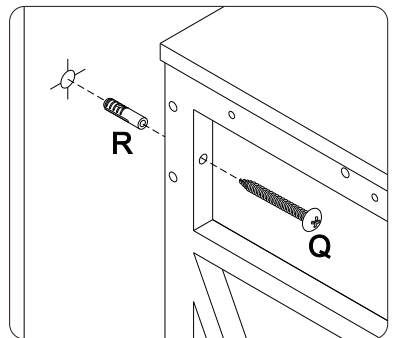
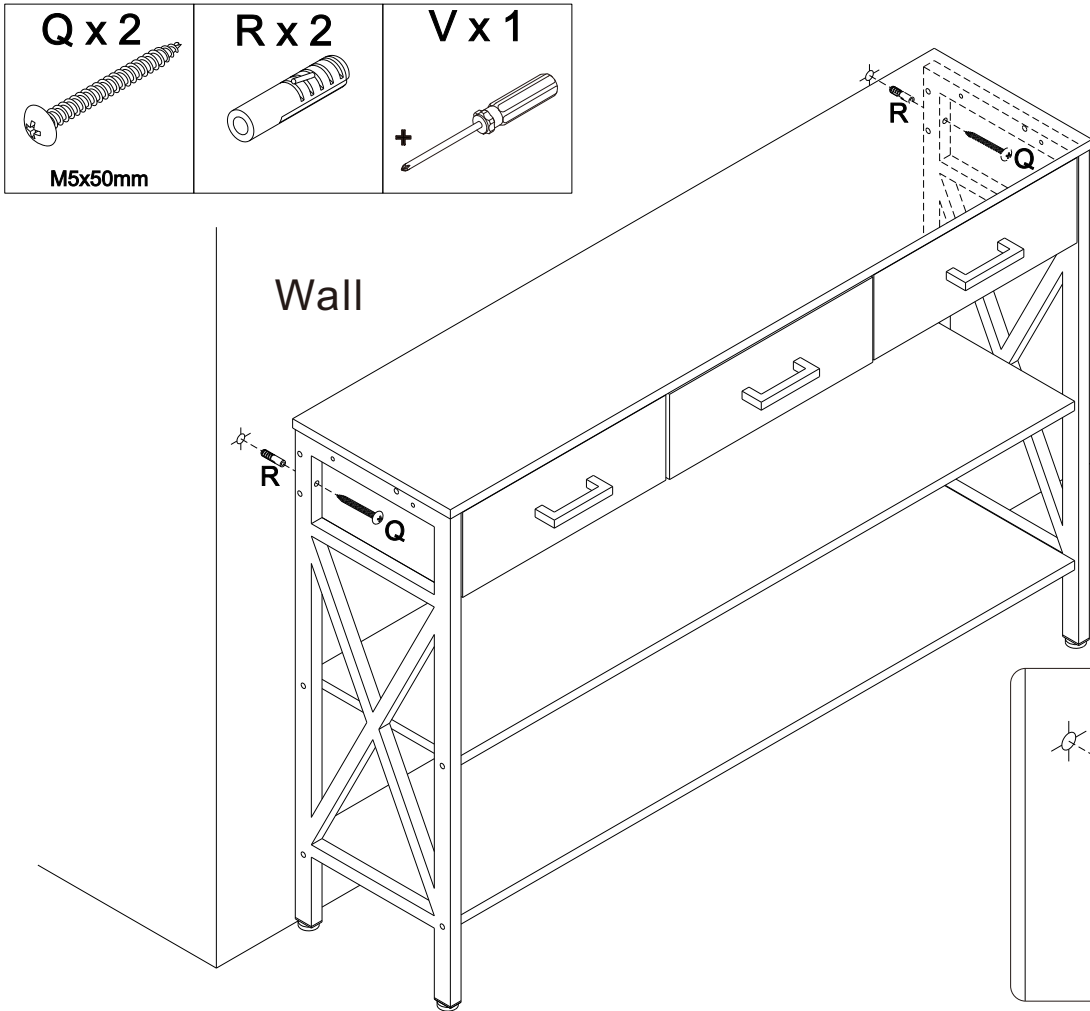
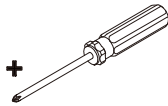


M5x50mm

**R x 2**

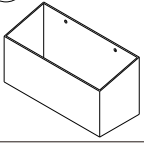


**V x 1**

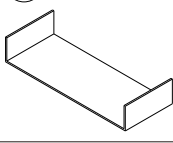


## Step 18

12 x 1



13 x 1



14 x 2

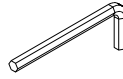


P x 4

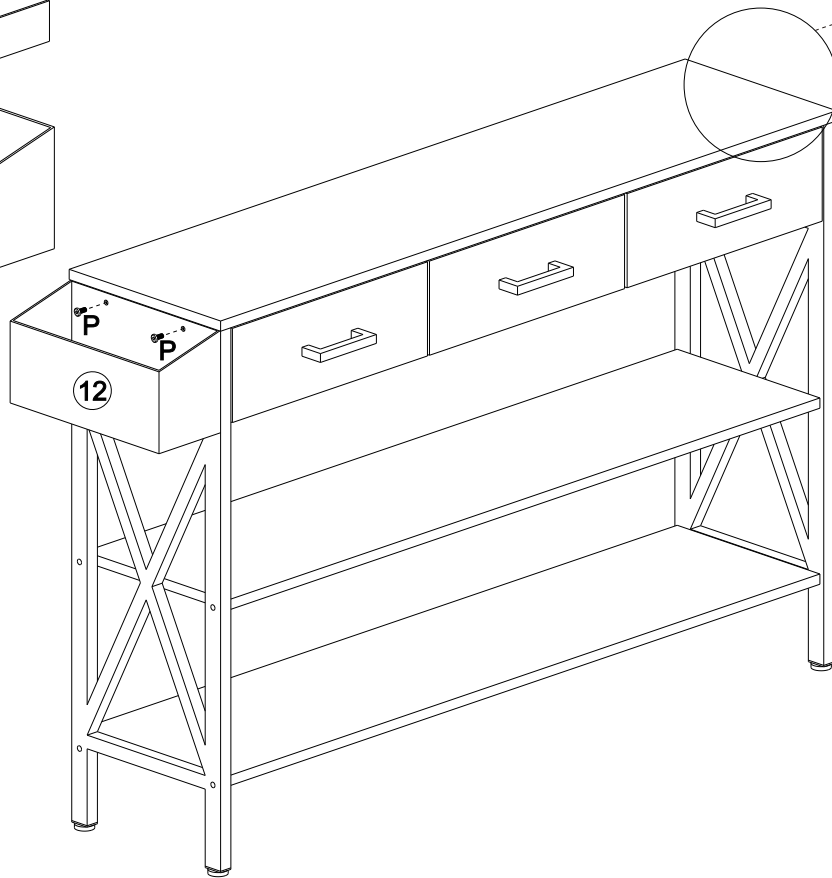
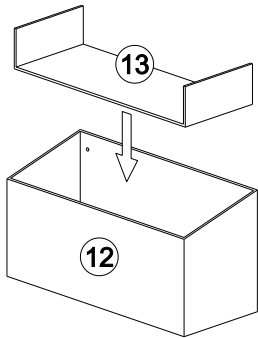


M6x12mm

U x 1



4mm



## Step 19

