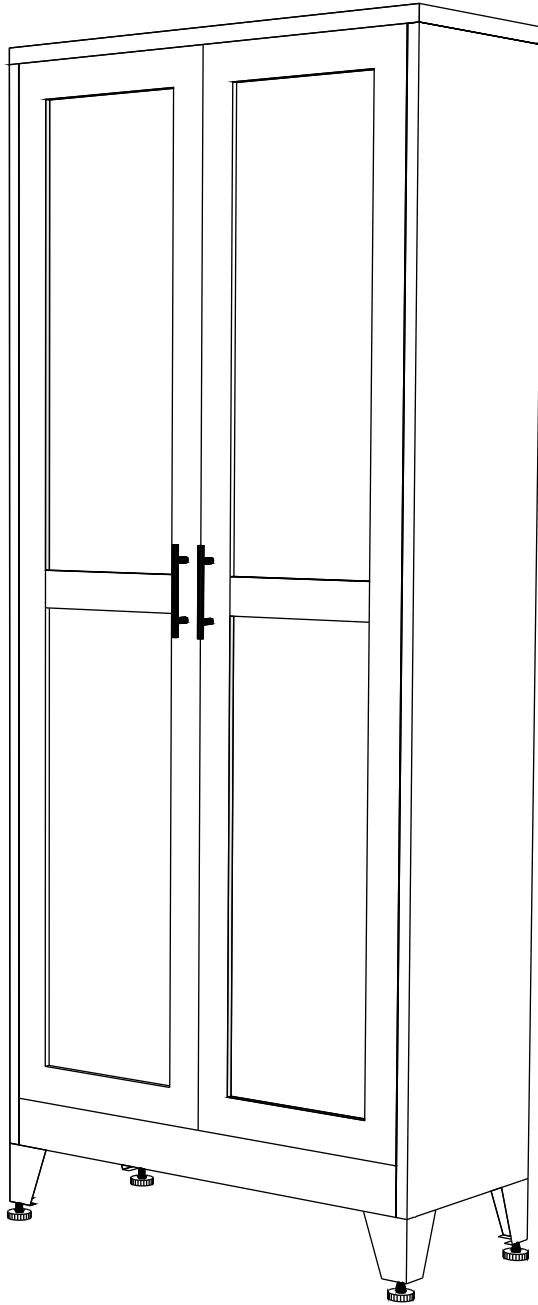


Installation & Assembly




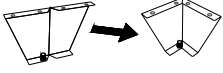

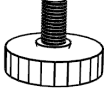
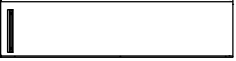

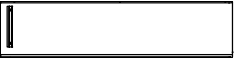


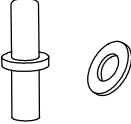



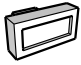

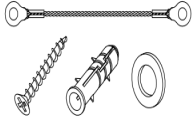
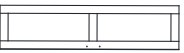
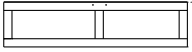


Important!

Thank you for your purchase. Please open it carefully.

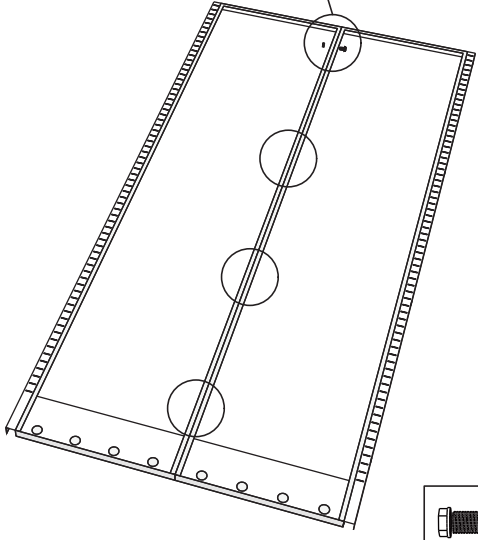
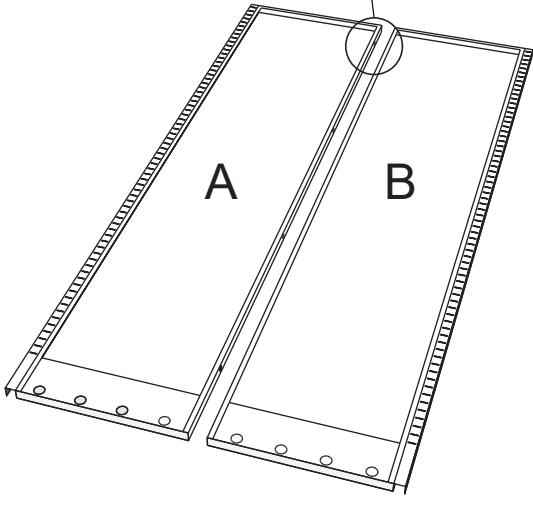
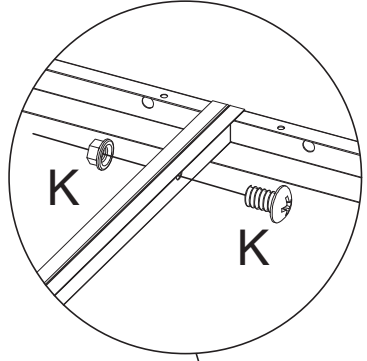
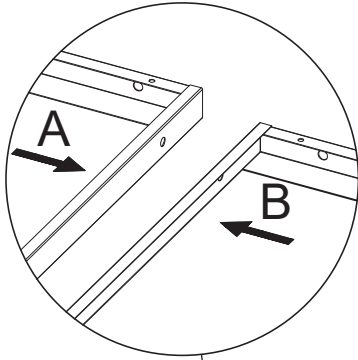
If you encounter any problems during assembly and use, please contact us platform.

We have the ability to solve all your problems.

Service tenet - to enable customers to enjoy high-quality service.

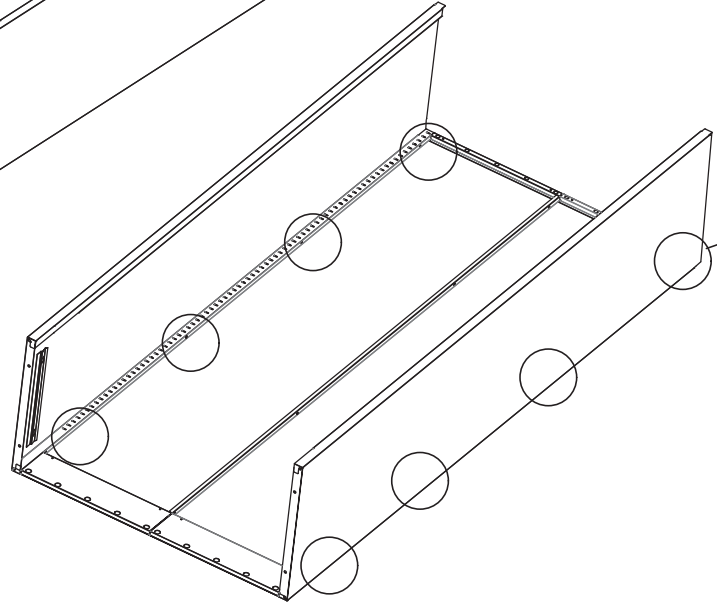
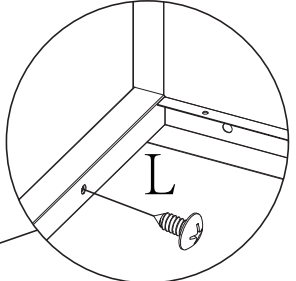
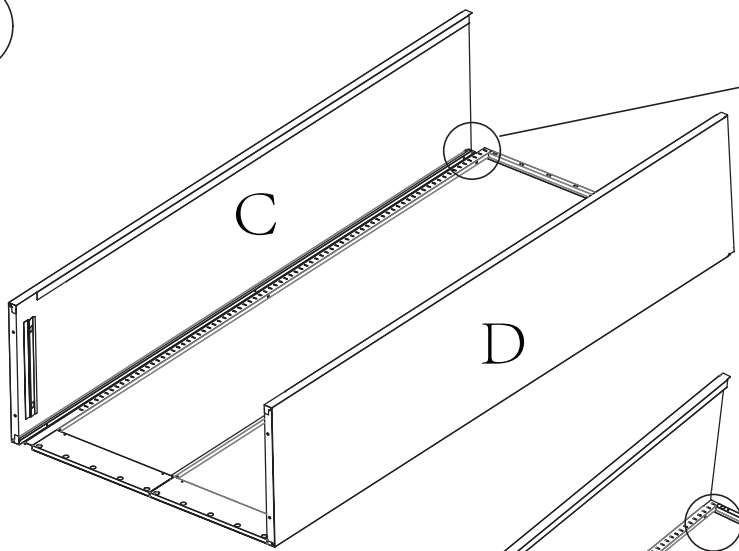
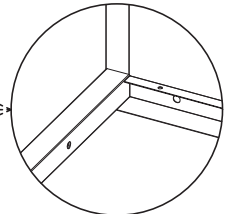
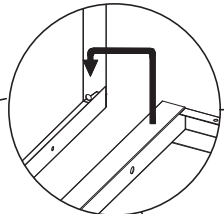
PARTS LIST		LISTE DES PIÈCES			LISTA DE PIEZAS				
Nom Nombre	Part Piece Pieza	Qty Qte	Spare Epargner Sobrante	Name Nom Nombre	Part Piece Pieza	Qty Qte	Spare Epargner Sobrante		
A	Left Back Panel		1		M	Standing leg		4	
B	Right Back Panel		1		N	Adjustable foot		4	
C	Left Side		1		O	Shelf Support		20	
D	Right Side		1		P	Laminate fastening buckle		20	
E	Kick Plate		1		Q	Door Pivot pin / Shim		2	
F	Bottom Panel		1		R	Haft		2	
G	Top Panel		1		S	magnet		4	
H	Shelves		5		T	Reverse rope		1	
I	Left Door		1						
J	Right Door		1						
K	13/32" Screw		4						
L	13/32" Screw		41						

1



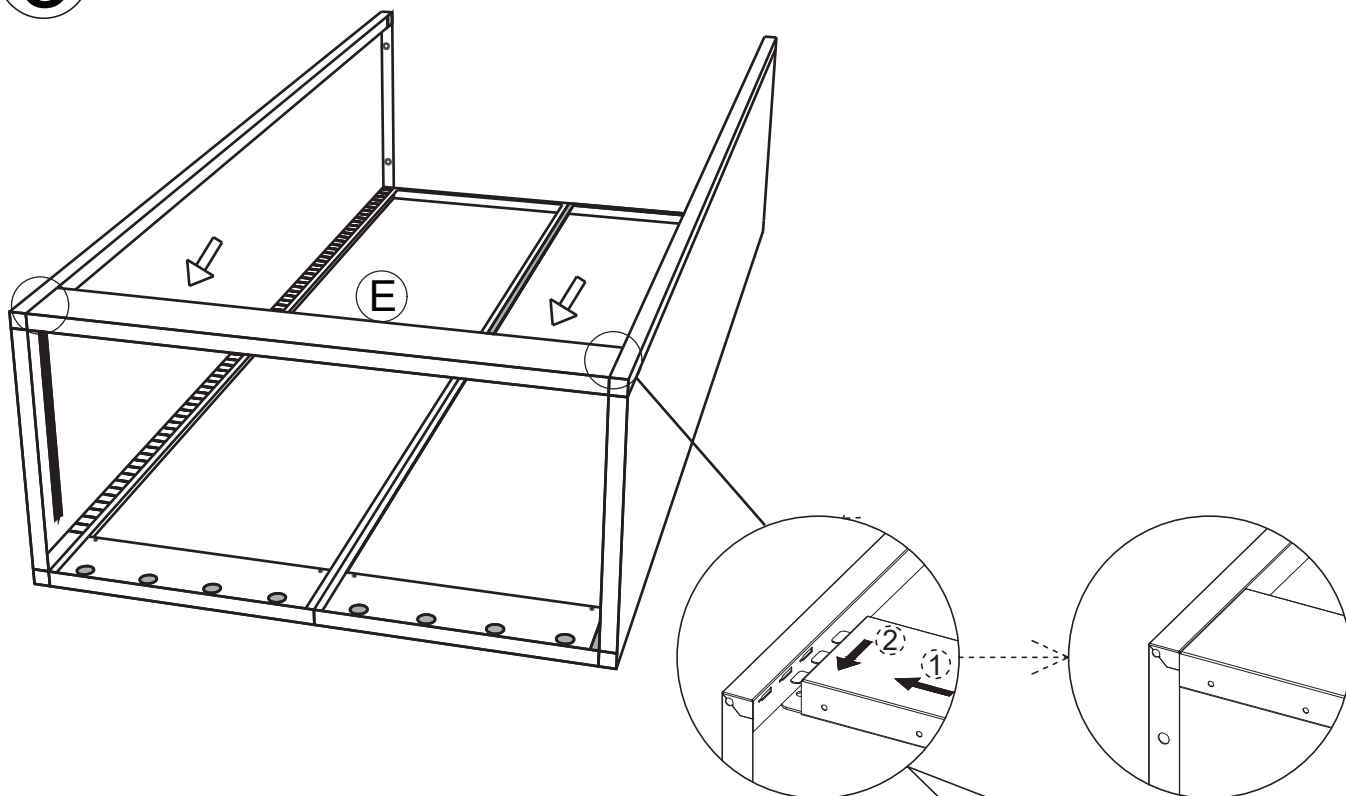
 K×4

2



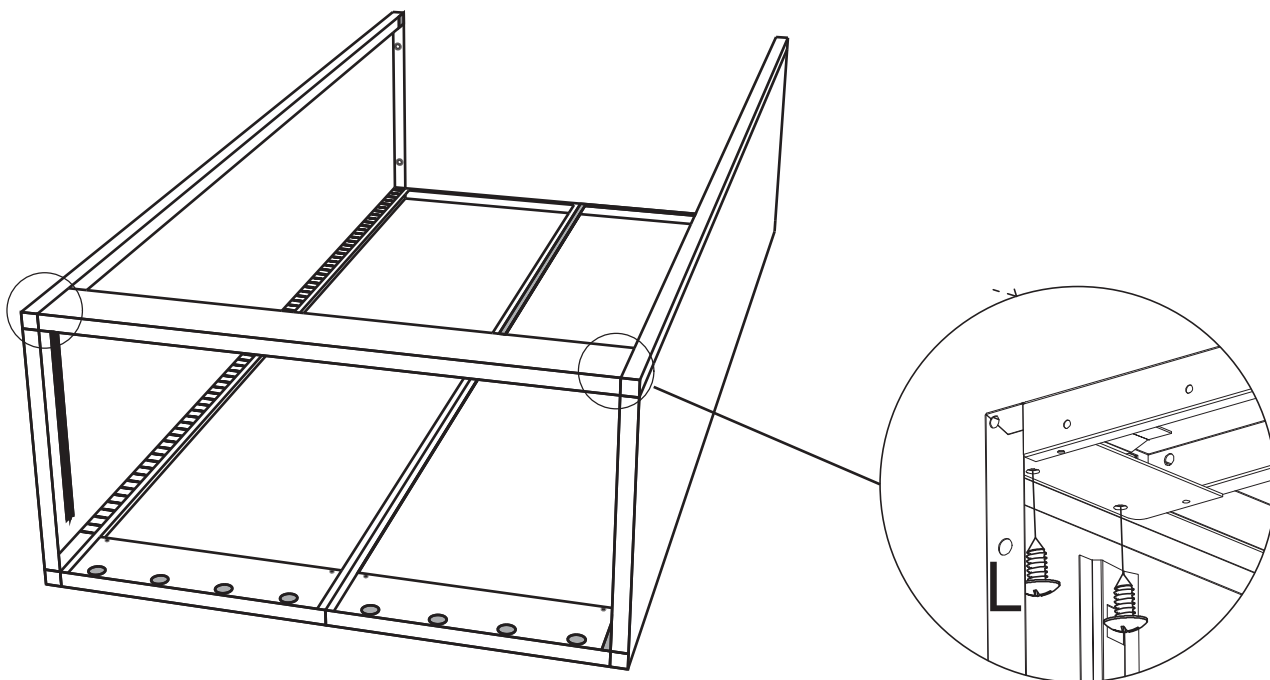
 L×8

3



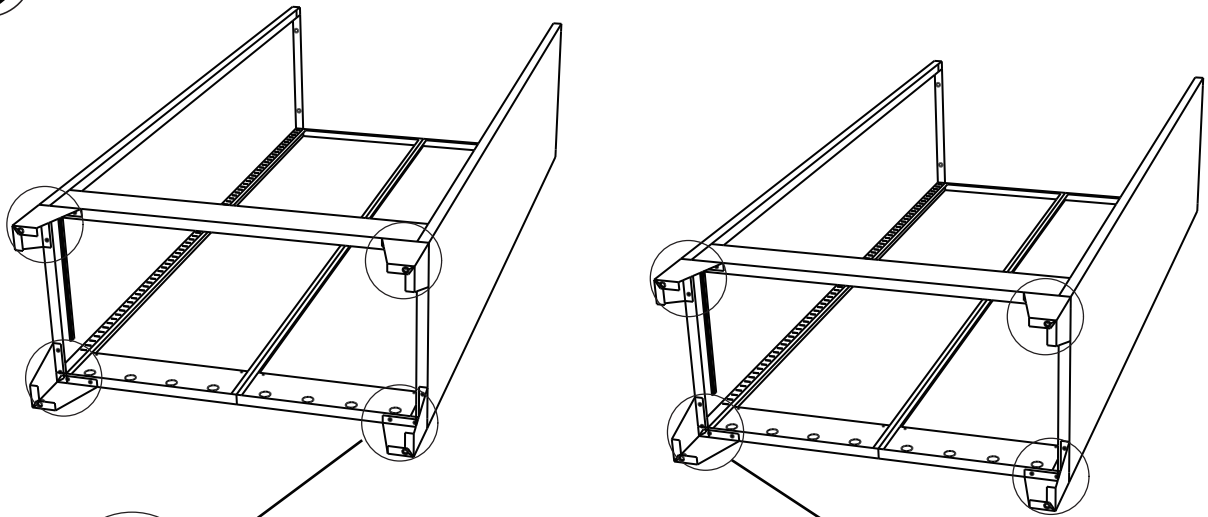
Snap the three buckles on either side of Part E into the three holes in both side panels and then push it down so that it snaps into the bottom of the cabinet.

4

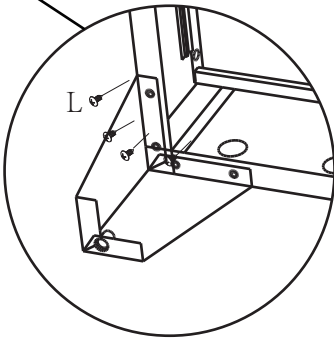
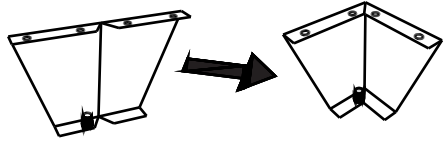


 L×4

5



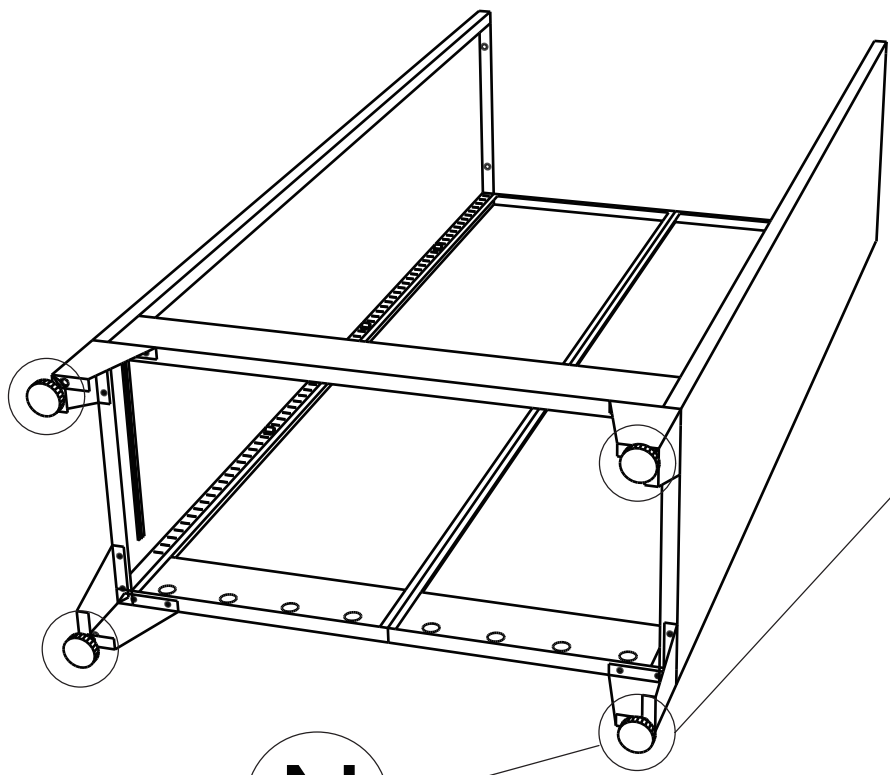
M



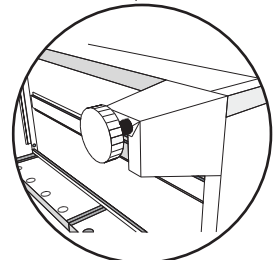
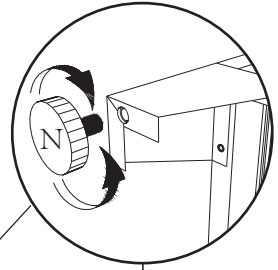
If you think it looks better without the standing corner, you can choose to skip this step (5) and the next step (6)

 L×16

6

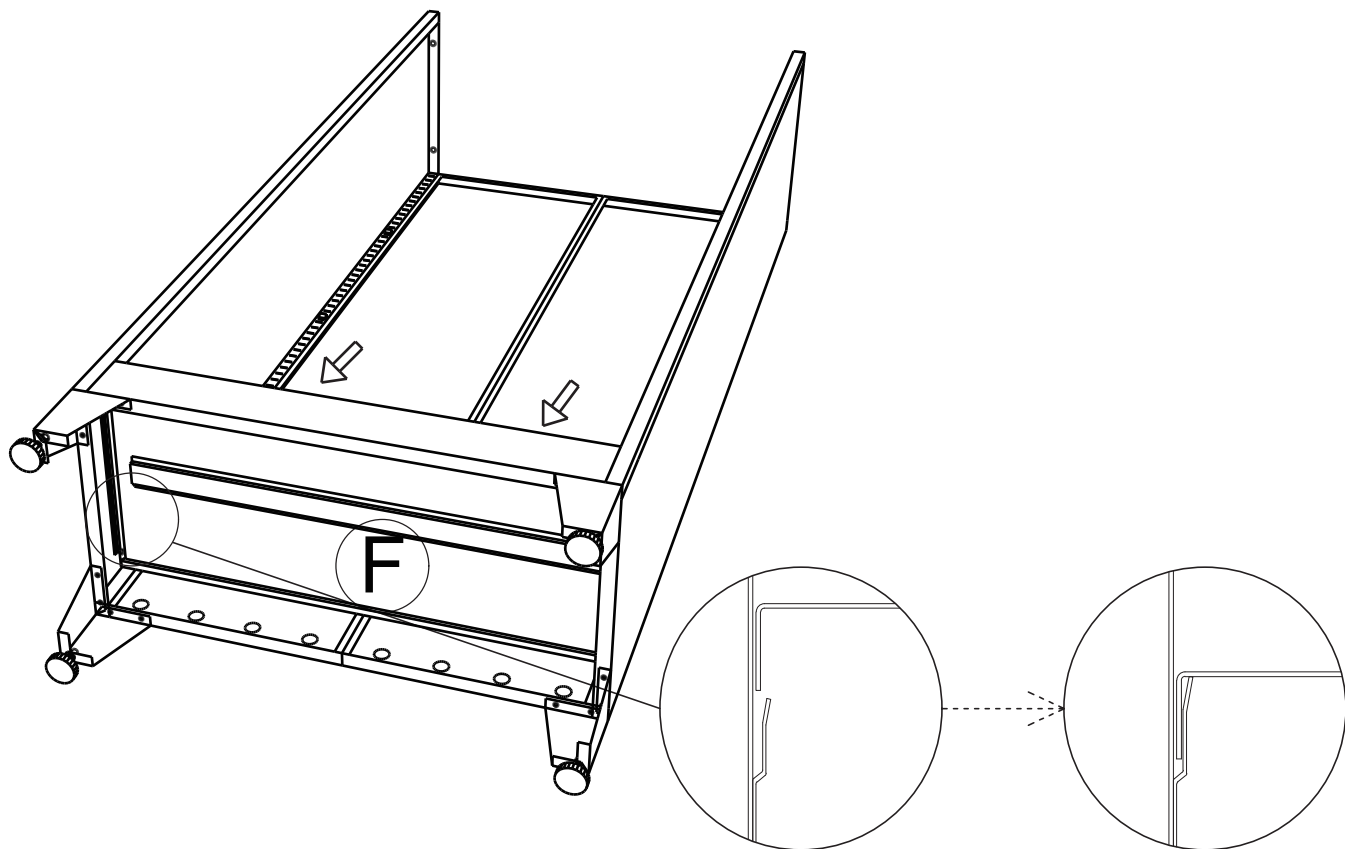


N

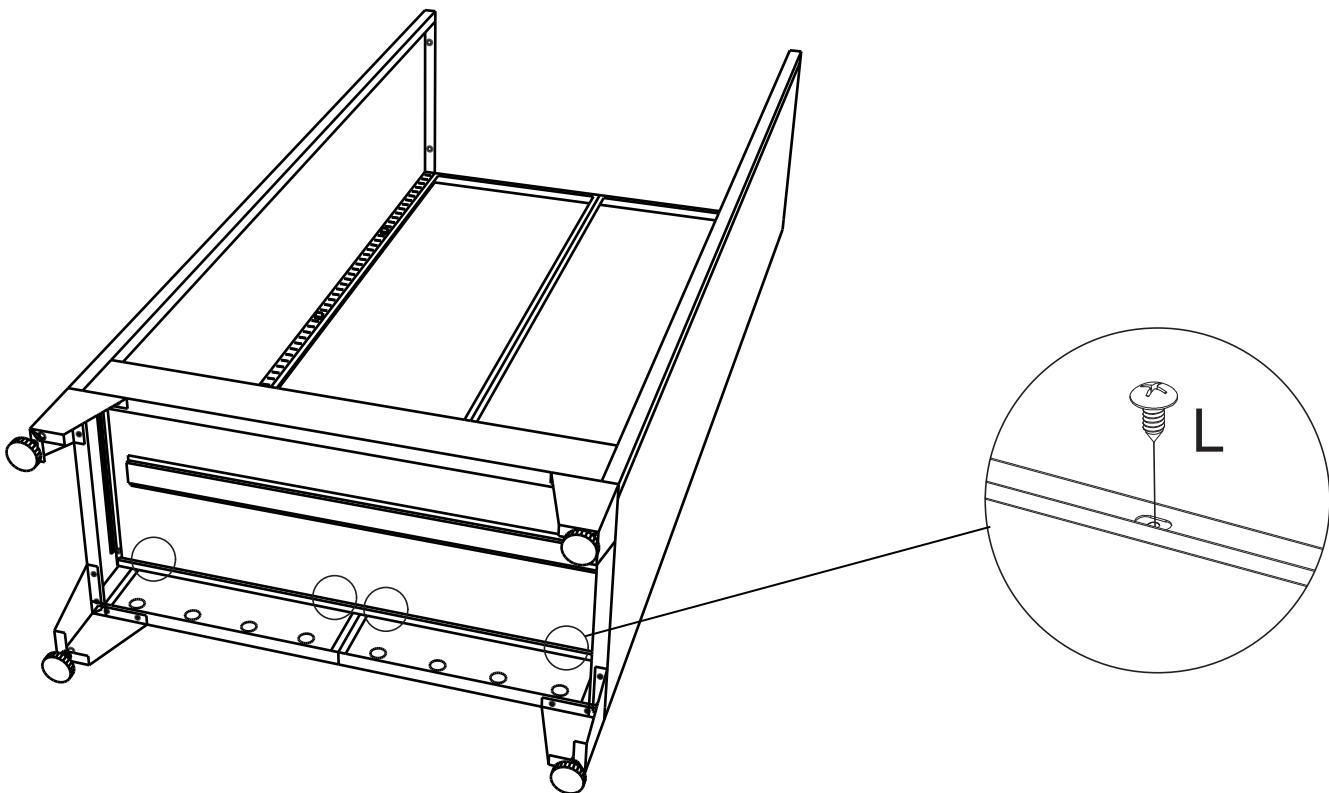


 N×4

7

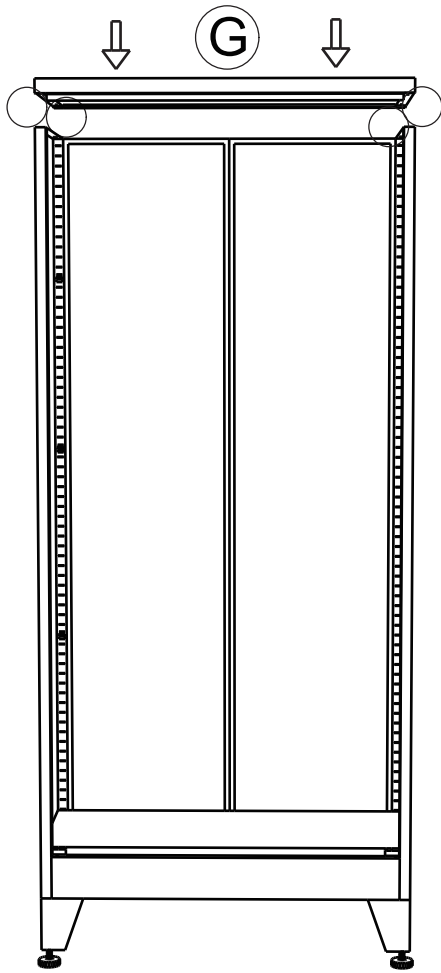


8



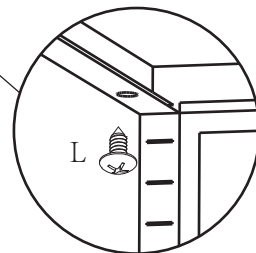
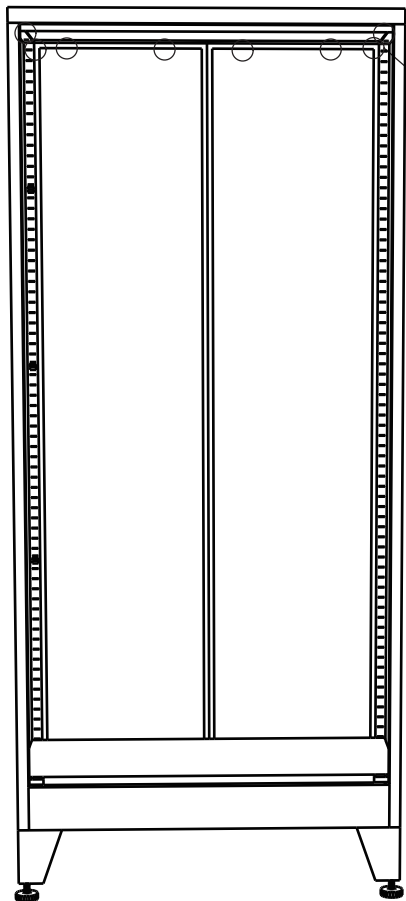
 L×4

9



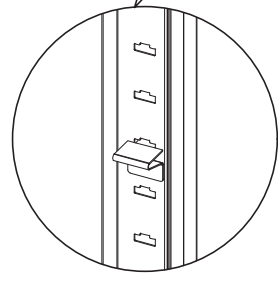
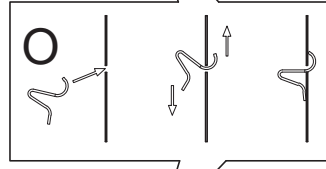
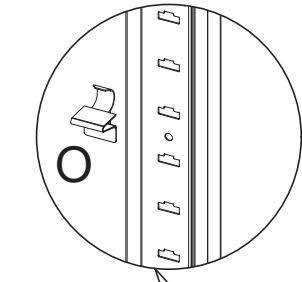
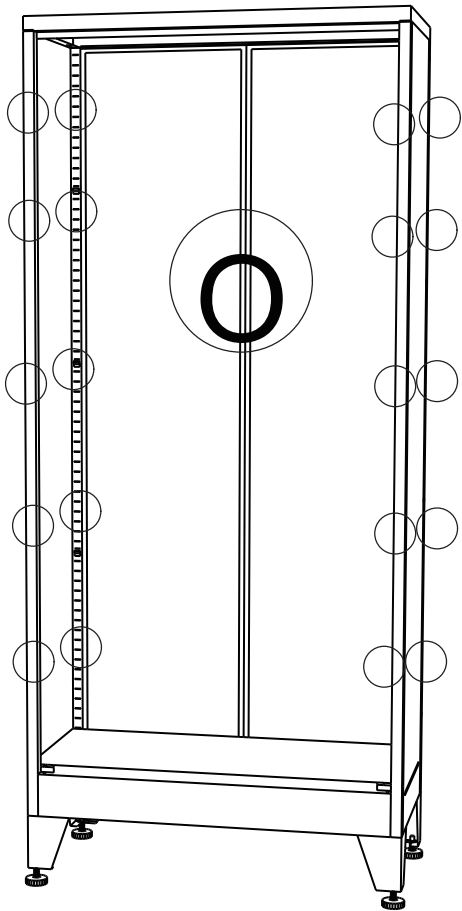
Please place the lower edge of the top panel beyond the limit plates at the top of the two side panels.


10



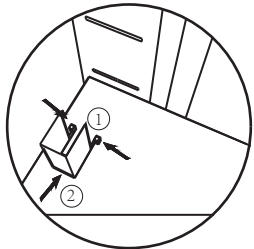
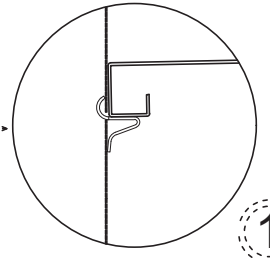
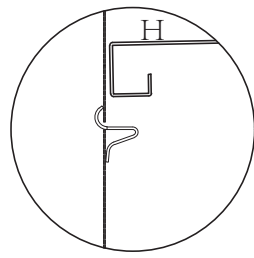
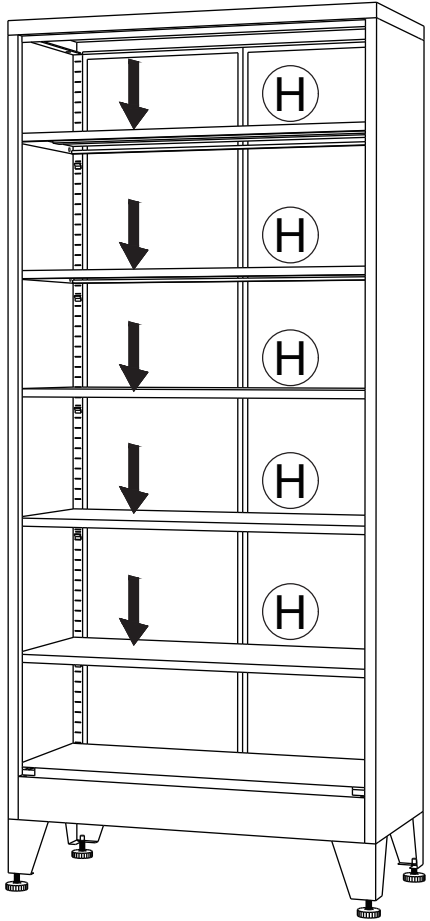
 L×8

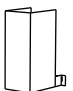
11



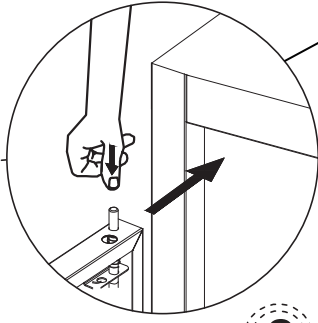
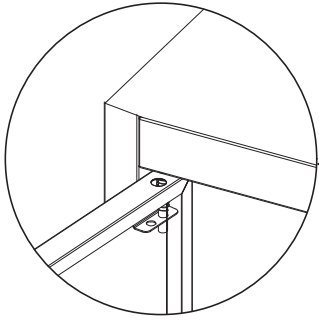
 O×20

12

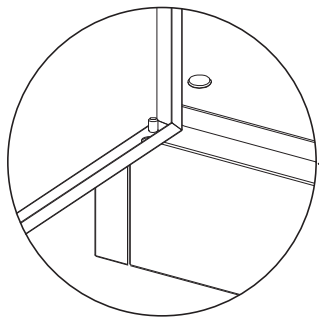


 P *20

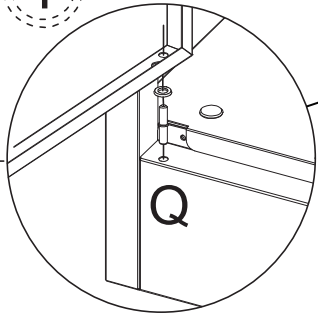
13



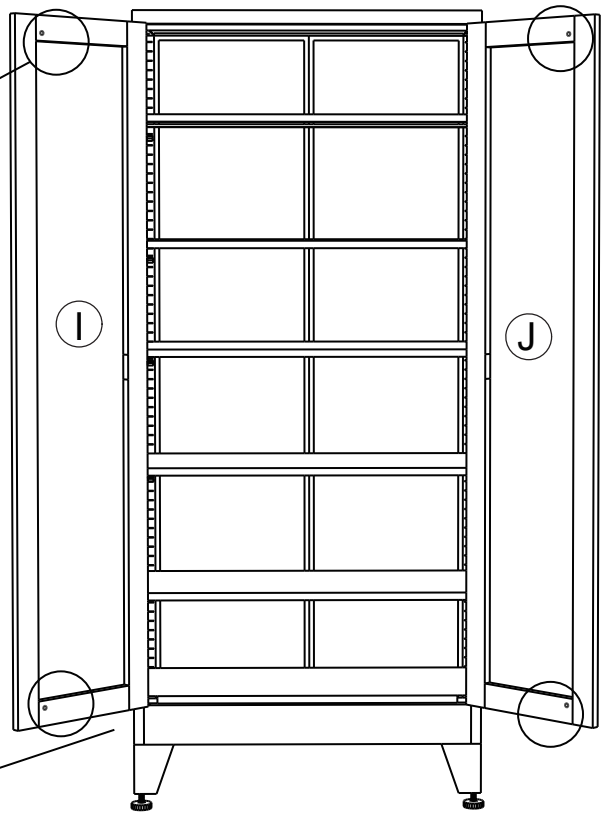
2

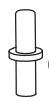


1

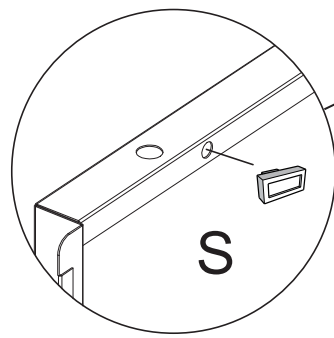


Q

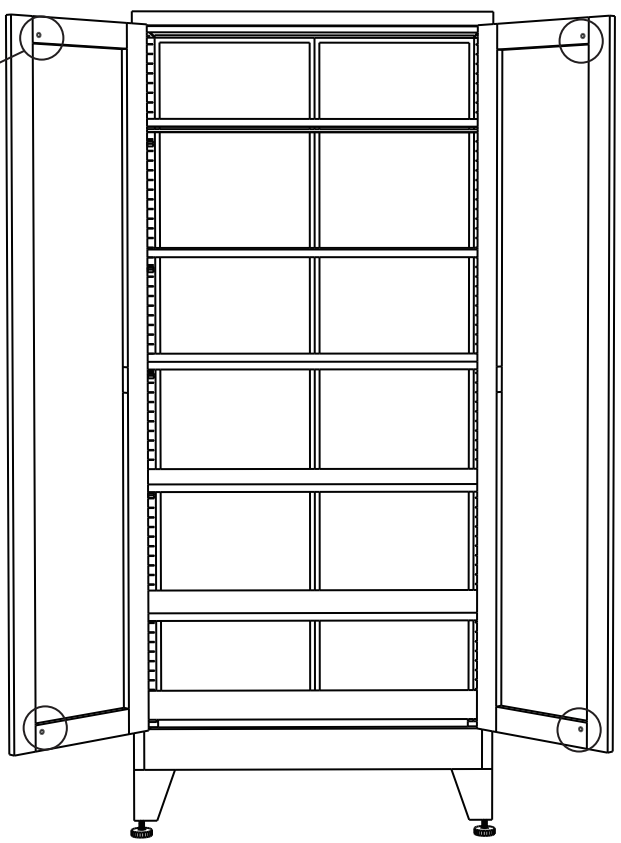


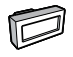
Q  *2

14

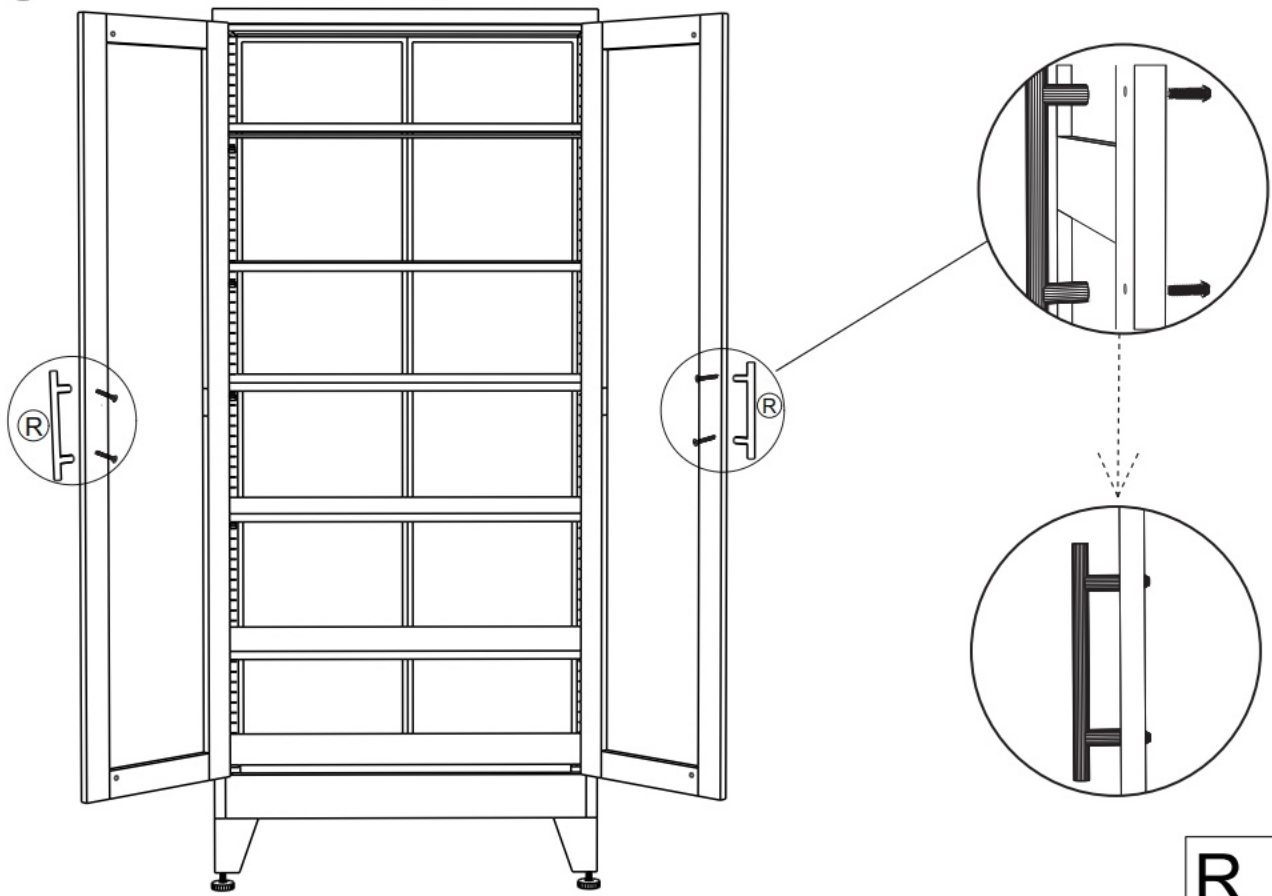



S



S  *4

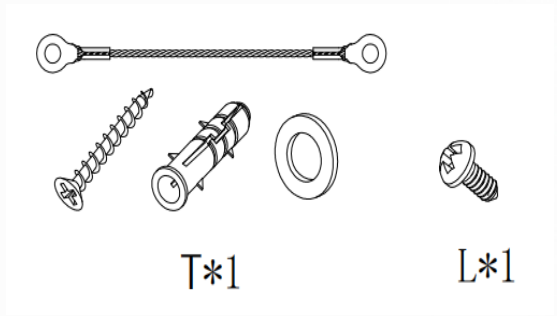
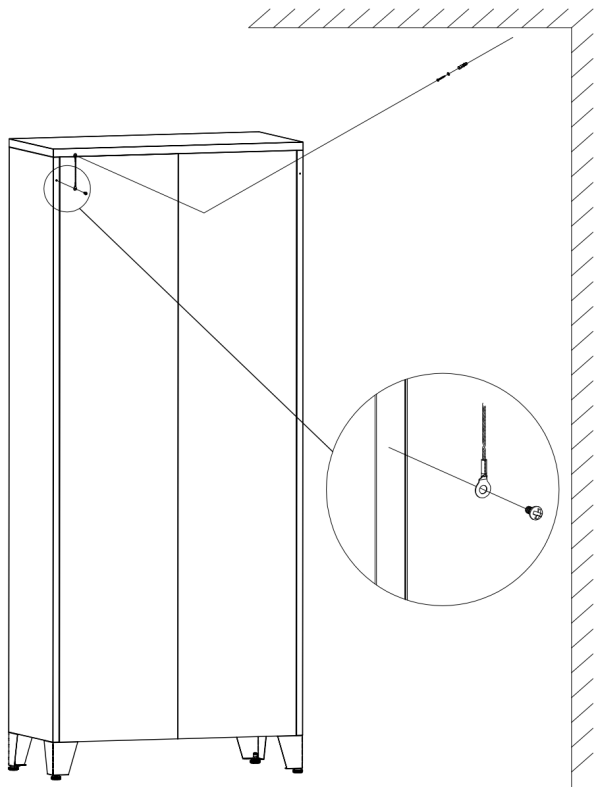
15



R  *2

16

The cabinet can be fixed to the wall as needed.

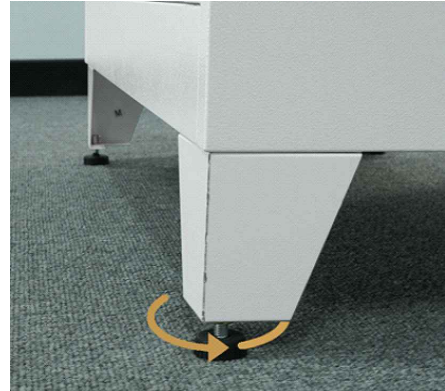
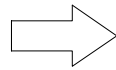


T*1

L*1

Problems and Solutions

Question 1: when encountering uneven height of two door panels, adjust the bottom adjustment foot to make it flat.



Question 2: When the door is closed, it still protrudes outward.
That's because the door is made of steel plate and has stretchability.
You can adjust it according to the method shown in the picture.

