

PENDLETON

PRESSURE BALANCE SHOWER SET

SKU: 948663



FEATURES

Material: Brass
Shape: Round
Handle Type: Lever
Assembly Required: No
Installation Type: Wall
Shower Head Material: ABS
Shower Head Spray: Single Function
Shower Arm Included: Yes
Shower Head Swivel: Yes
Metal Handle
Extension Kit Available: ACF4001EXT
Optional Rough-in Valve
Shower Head Flow Rate: 1.8 gpm
(6.8L/min) max @ 80 psi

SIGNATURE HARDWARE Lifetime Warranty

See website for detailed warranty information.

CONTENTS

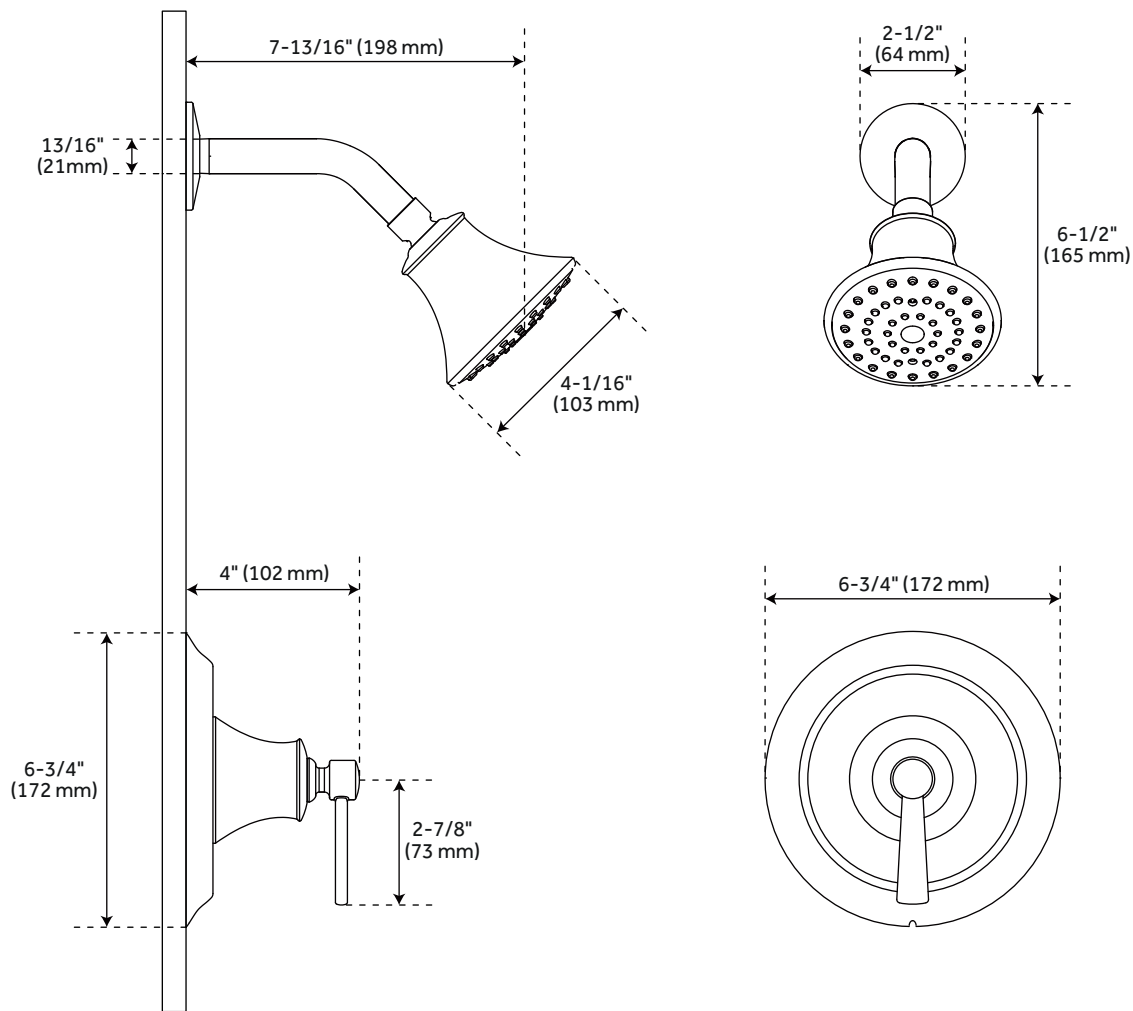
SHOWER SET	PAGE 2
VALVE	PAGE 3

REVISED 01/15/2020

PENDLETON

PRESSURE BALANCE SHOWER SET

SKU: 948663



FEATURES

- Shower Head Diameter: 4-1/16"
- Shower Head IPS: 1/2"
- Valve Trim Width: 6-3/4"
- Valve Trim Height: 2-7/8"
- NPT Connection: 1/2"

CODES/STANDARDS

- cUPC
- ASME A112.18.1/CSA B125.1
- ICC/ANSI A117.1 (when installed according to ADA standards)
- WaterSense
- CEC Listed
- Massachusetts Accepted

SIGNATURE HARDWARE LIFETIME WARRANTY

See website for warranty information



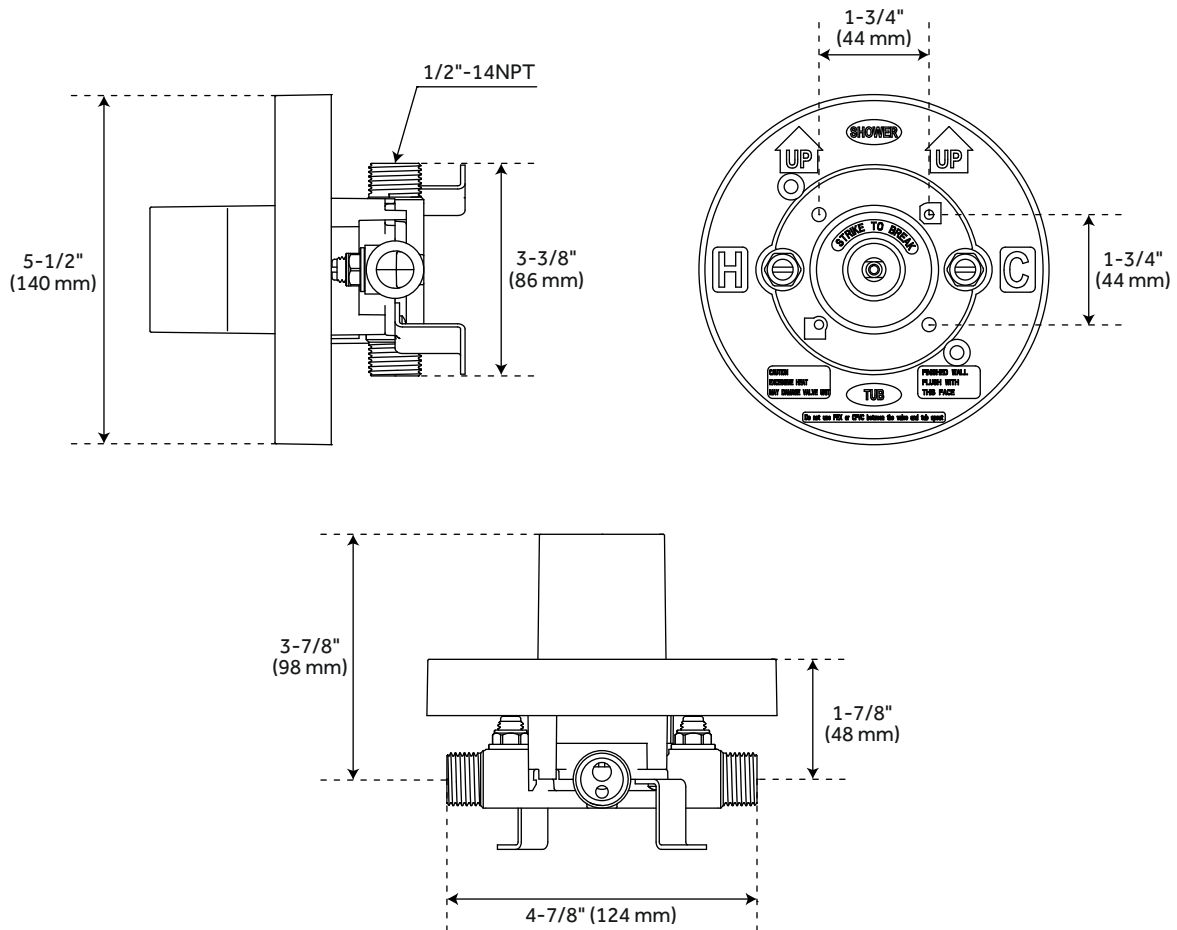
All dimensions and specifications are nominal and may vary. Use actual products for accuracy in critical situations.

PAGE 2
Code: SHPT8020GBN
SHPT8020GCP/SHPT8020GPN

PENDLETON

OPTIONAL PRESSURE BALANCE TUB AND SHOWER ROUGH IN VALVE

SKU: 948663



FEATURES

- Pressure Balance Valve With Integral Stops
- One-Piece Cartridge Design For Ease Of Maintenance
- Back-To-Back Capability
- Ceramic Disc Valve Cartridge
- Cast Bronze Valve Body
- Adjustable Temperature Limit Stop
- Quick Remove Plaster Guard
- Easy Mounting Brackets

CODES/STANDARDS

- cUPC
- ASME A112.18.1/CSA B125.1
- Massachusetts Accepted

SIGNATURE HARDWARE LIFETIME WARRANTY

See website for warranty information



All dimensions and specifications are nominal and may vary. Use actual products for accuracy in critical situations.

PAGE 3
Code: SH4001