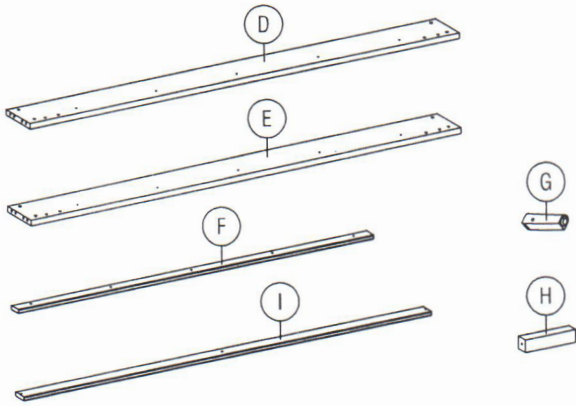


QUEEN BED ASSEMBLY INSTRUCTIONS

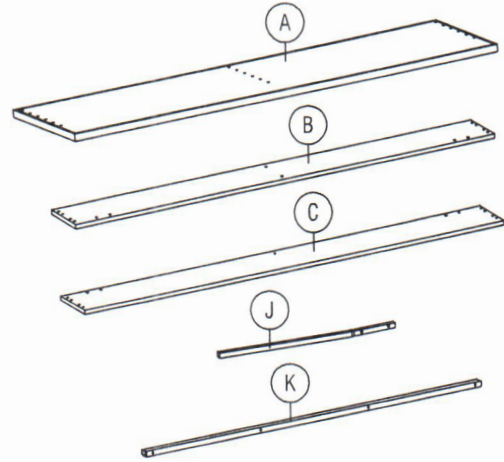
BOX #1

D	SIDE RAIL - L	1 PC
E	SIDE RAIL - R	1 PC
F	SIDE RAIL CLEAT	2 PCS
G	LEG	4 PCS
H	SLAT SUPPORT LEG	5 PCS
I	SLAT	5 PCS



BOX #2

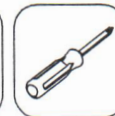
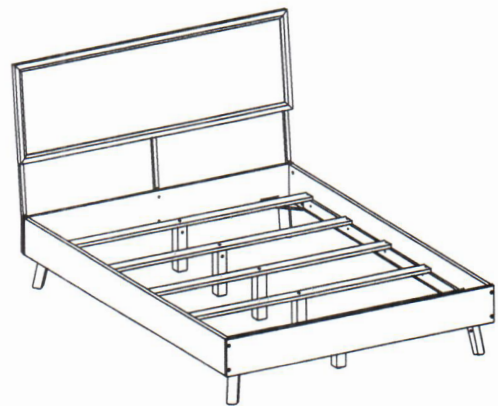
A	HEADBOARD PANEL	1 PC
B	HEADBOARD SUPPORT PANEL	1 PC
C	FOOTBOARD PANEL	1 PC
J	HEADBOARD BRACE	3 PCS
K	HEADBOARD SUPPORT BRACKET	1 PC



HARDWARE PACKED IN BOX #1

No	Description	Photo	Quantity
1	DOWEL (8 X 32mm)		8 PCS
2	PHILLIPS HEAD SCREW (10 X 33.5mm)		10 PCS
3	BARREL NUT (8 mm)		4 PCS
4	BARREL NUT (6 mm)		13 PCS
5	ALLEN BOLT (6 X 60mm)		13 PCS
6	HEX BOLT (8 X 90mm)		4 PCS
7	WRENCH (M8)		1 PC
8	ALLEN KEY (M4)		1 PC
9	BOLT COVER STICKER (20mm)		4 PCS
10	LEG BRACKET		4 PCS
11	PAN HEAD SCREW (6 X 10mm)		16 PCS
12	PAN HEAD SCREW (4 X 12mm)		8 PCS
13	THREADED BOLT LOCK		2 PCS
14	ALLEN BOLT (6 X 30mm)		9 PCS
15	PHILLIPS HEAD SCREW (6 X 25mm)		10 PCS
16	ALLEN BOLT (6 X 35mm)		2 PCS
17	ALLEN BOLT (6 X 50mm)		4 PCS
18	LOCK WASHER (6mm)		4 PCS

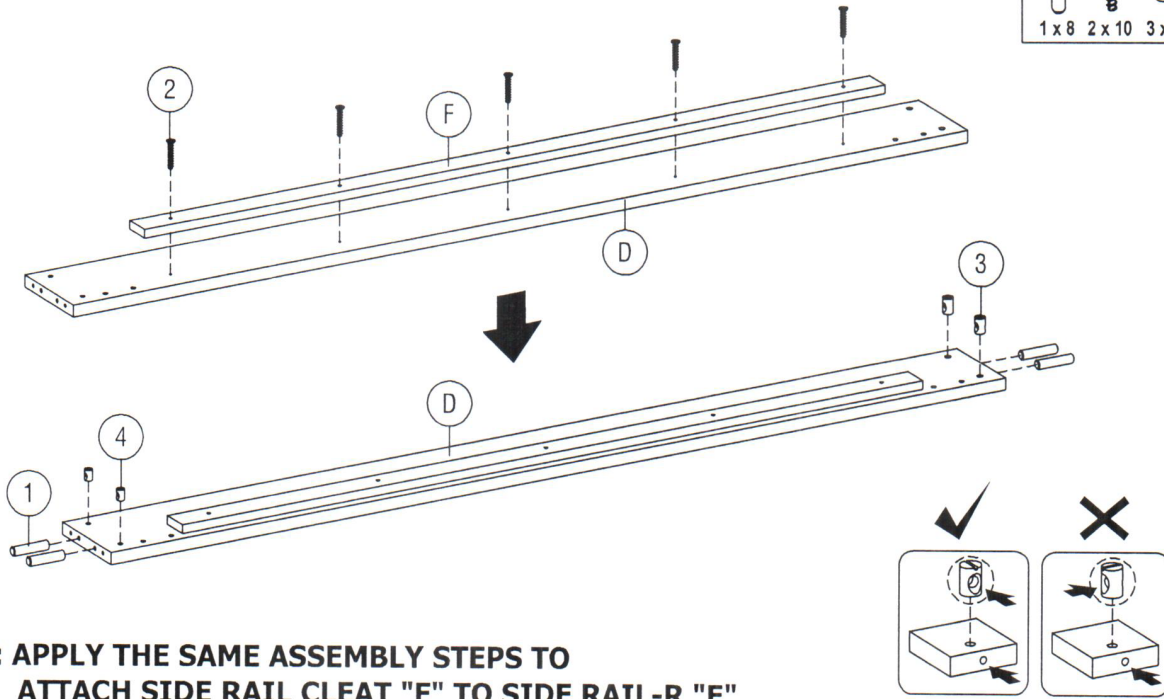
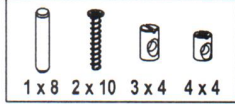
QUEEN BED FULLY ASSEMBLED



NOT PROVIDED

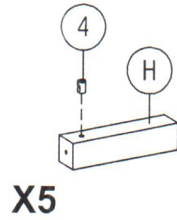
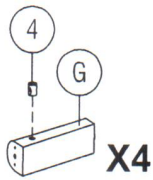
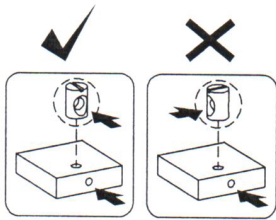
QUEEN BED ASSEMBLY INSTRUCTIONS

STEP 1:

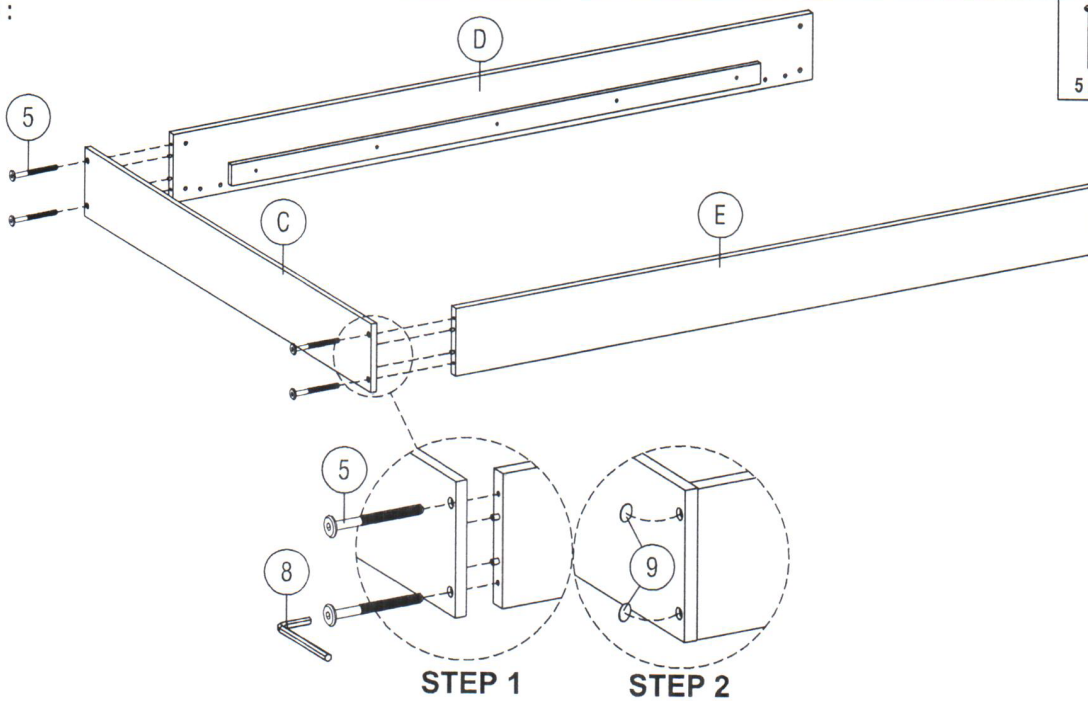


NOTE: APPLY THE SAME ASSEMBLY STEPS TO ATTACH SIDE RAIL CLEAT "F" TO SIDE RAIL-R "E".

STEP 2:

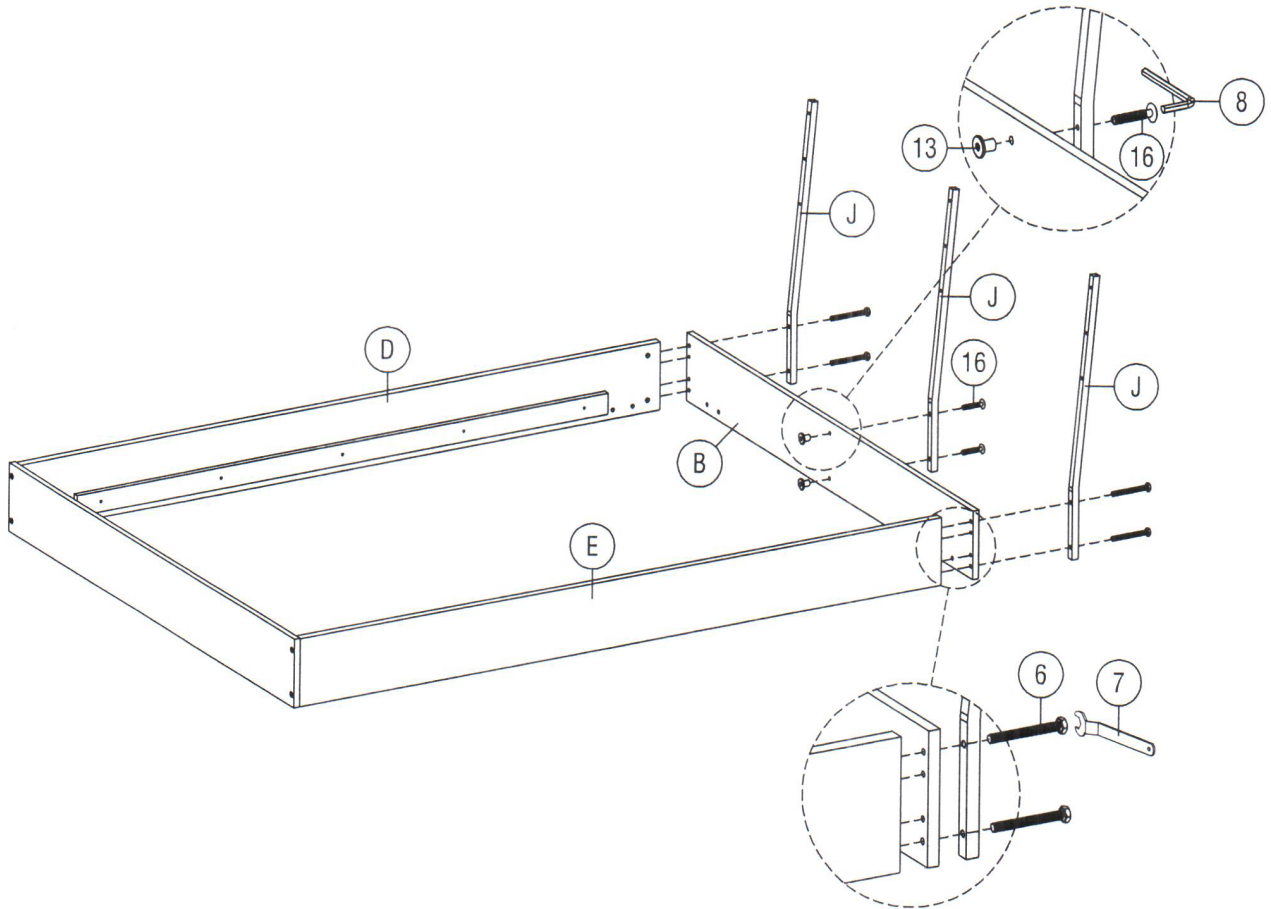
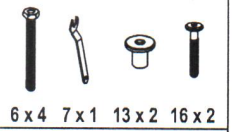


STEP 3:

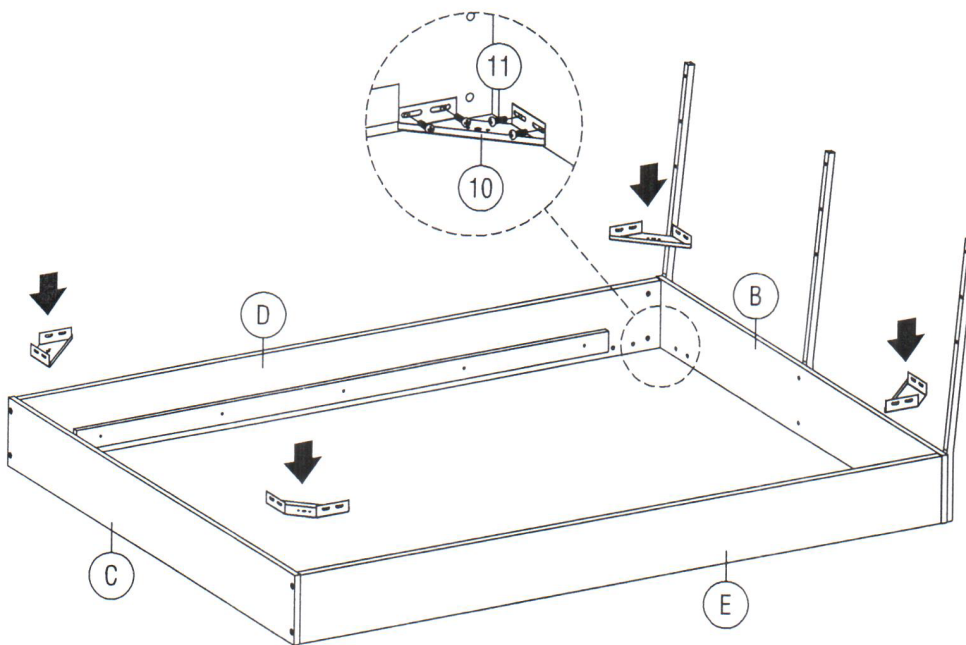
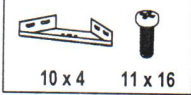


QUEEN BED ASSEMBLY INSTRUCTIONS

STEP 4:

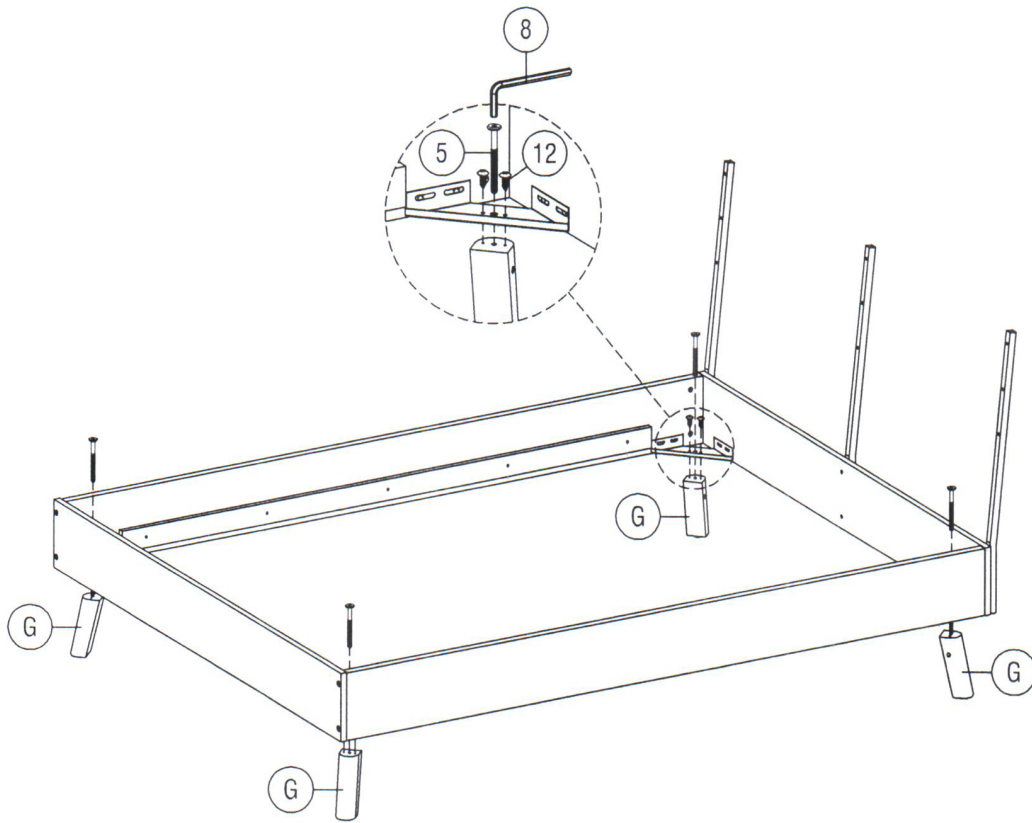


STEP 5:

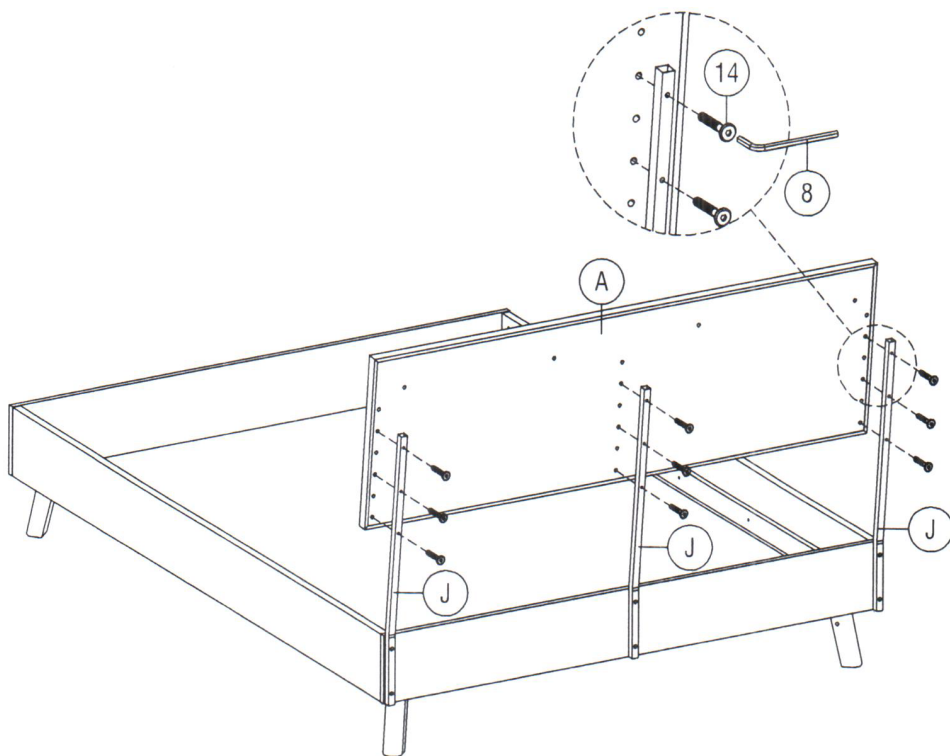


QUEEN BED ASSEMBLY INSTRUCTIONS

STEP 6 :

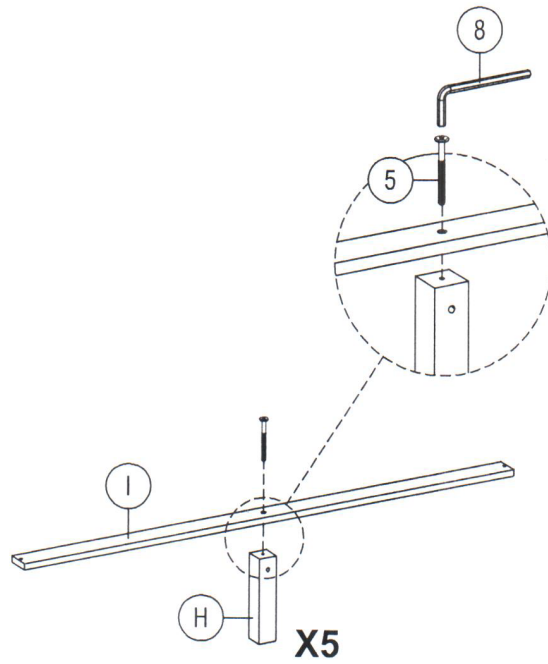


STEP 7 :

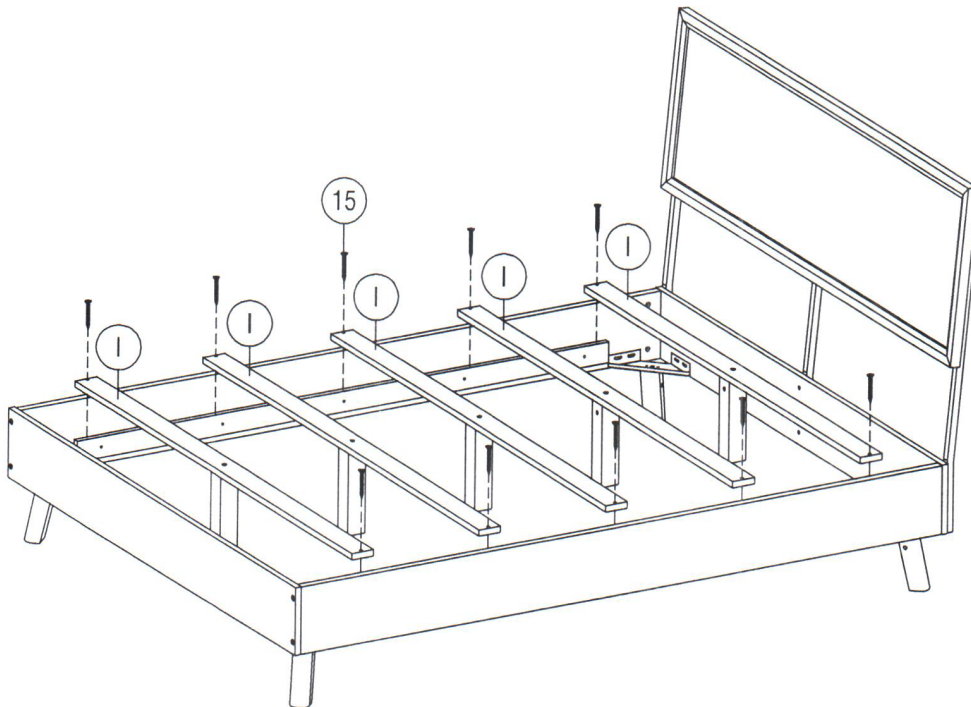


QUEEN BED ASSEMBLY INSTRUCTIONS

STEP 8 :

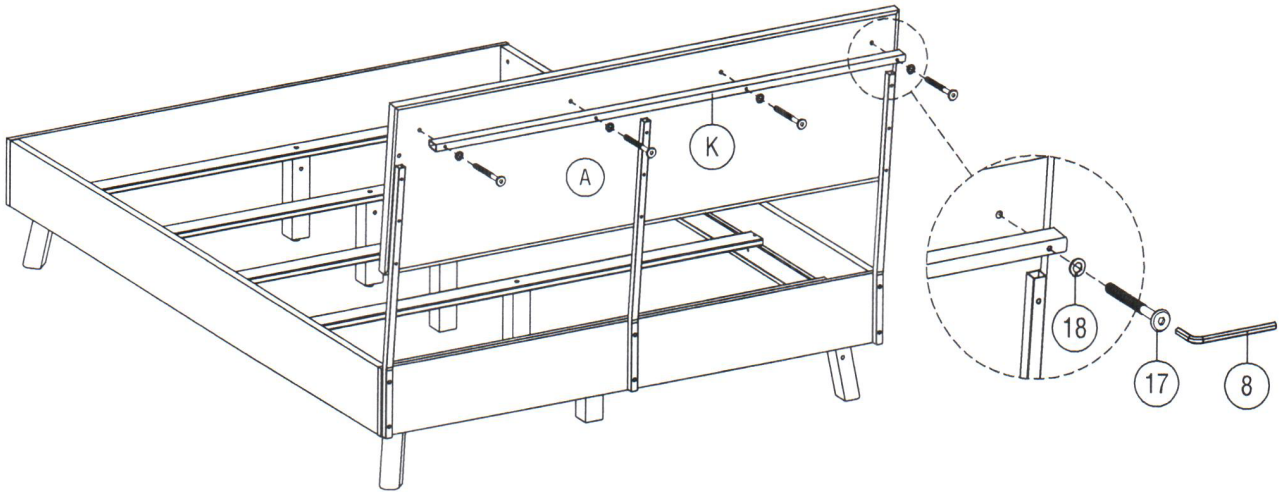


STEP 9 :

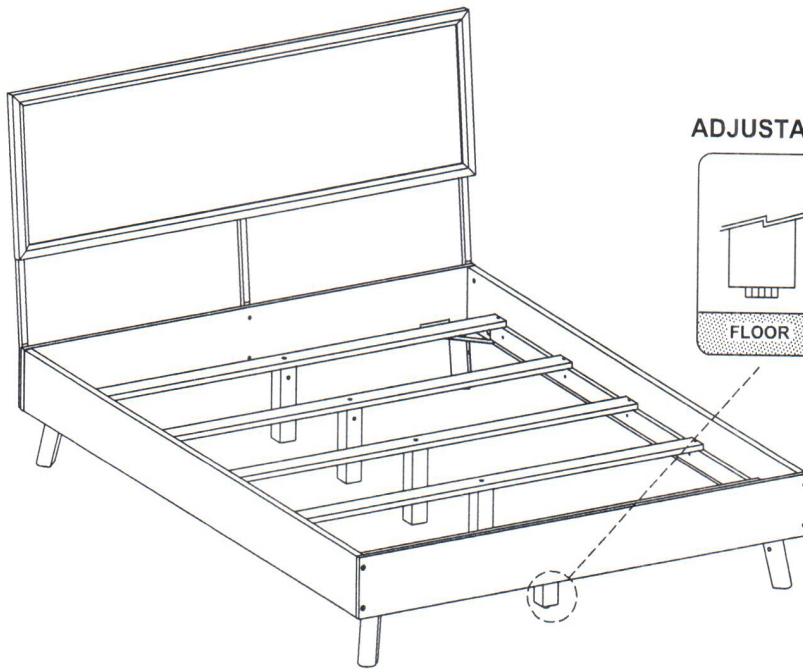


QUEEN BED ASSEMBLY INSTRUCTIONS

STEP 10 :



ASSEMBLY COMPLETE



ADJUSTABLE CENTER SUPPORT LEG

