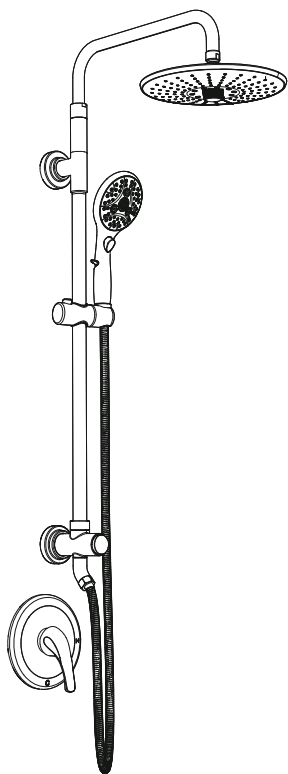
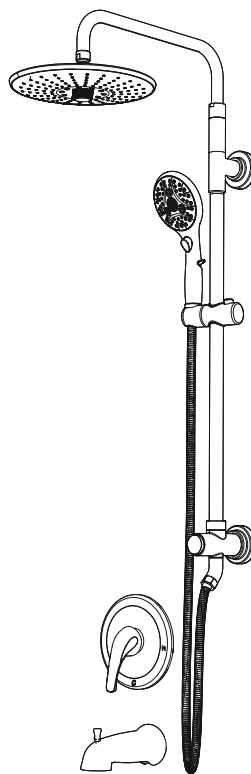


Installation Manual

Shower Faucets Sets Complete



Model 1



Model 2

Please do not hesitate to contact us with your questions, concerns and/or problems, we're here to help. We will replace or repair your product free of charge.

Contact US: mikechen@eyakult.com (USA)
zhongly@eyakult.com (Canada)

Catalog

Certification 01

Instruction of model 1 shower faucet 03

Instruction of model 2 shower faucet with tub spout 11

Warranty 20

IAPMO RESEARCH AND TESTING, INC.

5001 E. Philadelphia Street, Ontario, CA 91761 • Phone (909) 472-4100 • Fax (909) 472-4244 • www.iapmort.org



CERTIFICATE OF LISTING



IAPMO Research and Testing, Inc. is a product certification body which tests and inspects samples taken from the supplier's stock or from the market or a combination of both to verify compliance to the requirements of applicable codes and standards. This activity is coupled with periodic surveillance of the supplier's factory and warehouses as well as the assessment of the supplier's Quality Assurance System. This listing is subject to the conditions set forth in the characteristics below and is not to be construed as any recommendation, assurance or guarantee by IAPMO Research and Testing, Inc. of the product acceptance by Authorities Having Jurisdiction.

Issued To:

GUANGDONG RI ZHENG INDUSTRIAL CO., LTD.

NO.41 XIANSAN ROAD, RIZHENG BUILDING, WANJIANG SREET, 52300 DONGGUAN , GUANGDONG, CHINA

Product:

Plumbing Fixture Fittings

Products are in compliance with the following code(s):

**Uniform Plumbing Code (UPC®)
National Plumbing Code of Canada**

Products are in compliance with the following standard(s)

ASME A112.18.1-2018/CSA B125.1-18

File Number: 12900

Revised Date: January 28, 2021

Effective Date: January 2021

Void After: January 2026*


Chairman, Product Certification Committee




Chief Technical Service Officer

*This certificate is not evidence of current listing. To verify listing status, visit the IAPMO R&T Product Listing Directory at pld.iapmo.org

This listing period is based upon the last date of the month indicated on the Effective Date and Void After Date shown above. Any change in material, manufacturing process, marking or design without having first obtained the approval of the Product Certification Committee, or any evidence of non-compliance with applicable codes and standards or of inferior workmanship, may be deemed sufficient cause for revocation of this listing. Production or reference to this form for advertising purposes may be made only by specific written permission of IAPMO Research and Testing, Inc. Any alteration of this certificate could be grounds for revocation of the listing. This document shall be reproduced in its entirety.



IAPMO RESEARCH AND TESTING, INC. CERTIFICATE OF LISTING



Issued To: GUANGDONG RI ZHENG INDUSTRIAL CO., LTD.

Effective Date: January 2021

File Number: 12900

Revised Date: January 28, 2021

Product: Plumbing Fixture Fittings

Void After: January 2026

This certificate is not evidence of current listing. To verify listing status, visit the IAPMO R&T Product Listing Directory at pld.iapmo.org

Identification:

Plumbing supply fittings shall be marked with the manufacturer's recognized name, trademark, or other mark or, in the case of private labeling, the name, trademark or other mark of the customer for whom the fitting was manufactured. The marking shall be accomplished by use of a permanent mark or by placing a permanent label on the product. Markings on plumbing supply fittings shall be visible after installation.

Showerheads and hand-held showers shall be marked with the manufacturer's specified maximum flow rate, in L/min and gpm.

Kitchen, lavatory, and metering faucets shall be marked with the manufacturer's specified maximum flow rate, in L/min and gpm or L/cycle and gpc.

Single-handle and single-control bath and shower mixing valves shall have their temperature control settings identified alphabetically, numerically, or graphically.

High-efficiency commercial pre-rinse spray valves shall be marked with the manufacturer's specified maximum flow rate, in L/min (gpm).

Listed products shall bear the cUPC® certification mark.

Packaging for plumbing supply fittings shall be marked with the manufacturer's name, trademark, or other mark as well as the model number or, in the case of private labeling, the name, trademark, or mark of the customer for whom the fitting was manufactured as well as the model number.

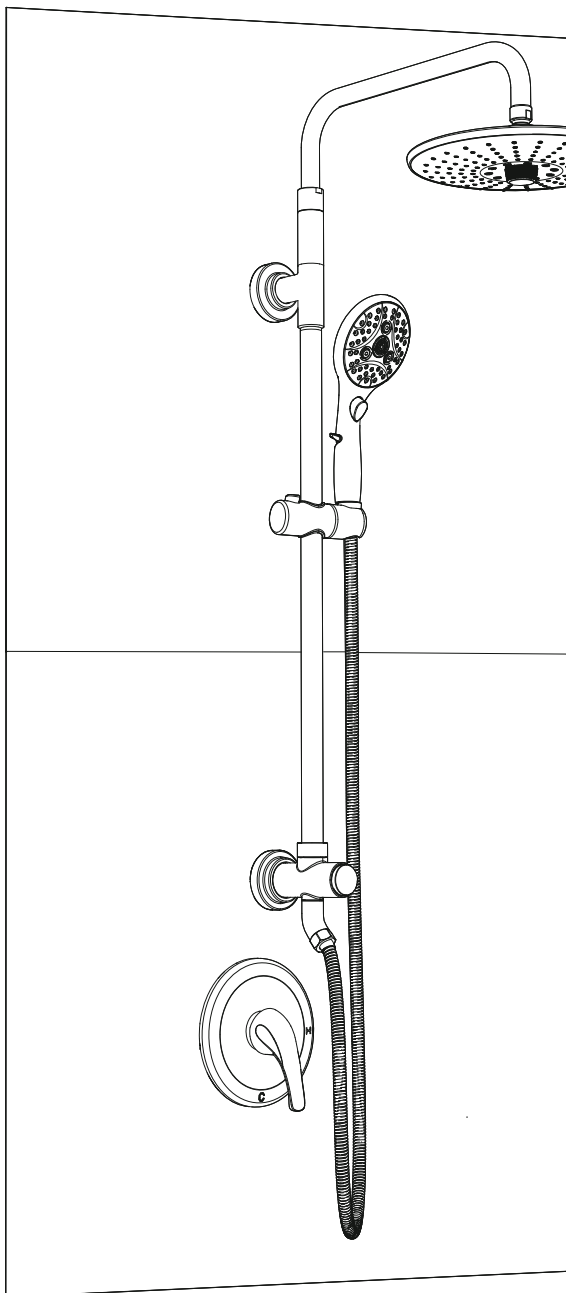
Packaging for showerheads and hand-held showers shall be marked with the manufacturer's specified maximum flow rate and either the manufacturer's specified minimum flow rate or the statement "For use with automatic compensating valves rated at xxx L/min (yyy gpm) or less", where xxx L/min (yyy gpm) is the manufacturer's specified minimum flow rate.

Packaging for kitchen, lavatory, and metering faucets shall be marked with the manufacturer's specified maximum flow rate, in L/min and gpm or L/cycle and gpc.

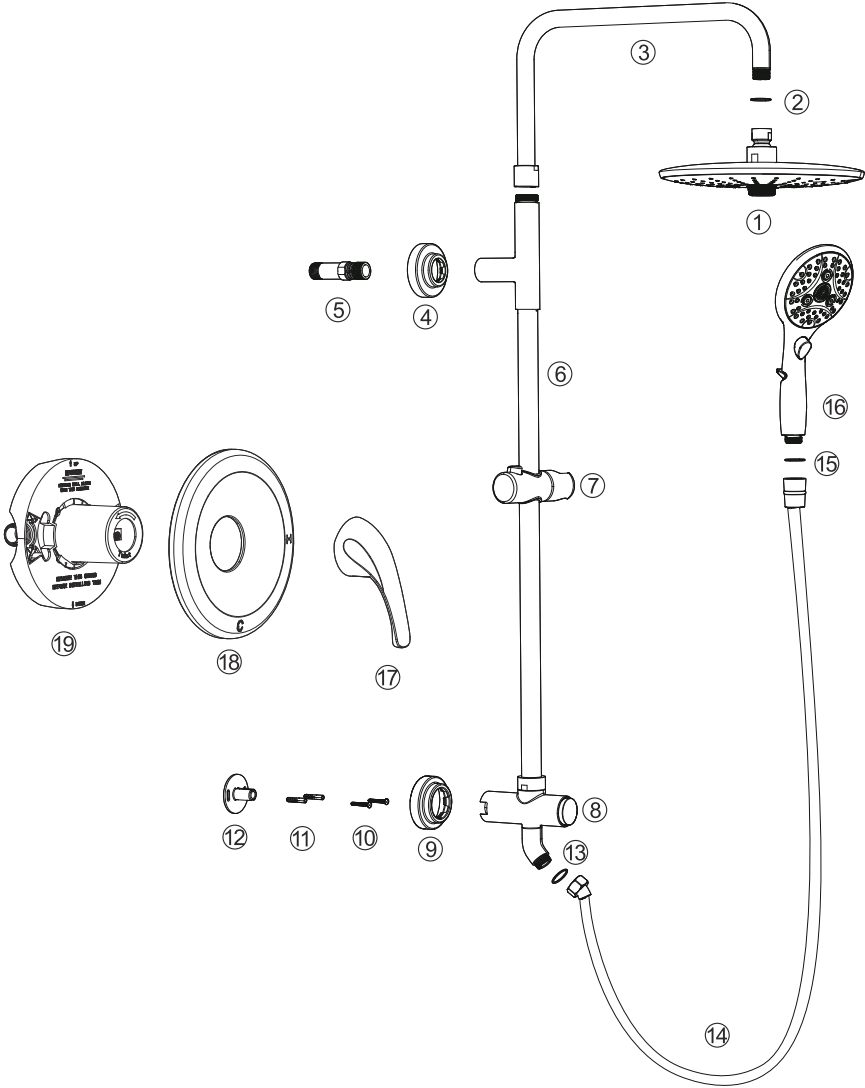
Characteristics:

Fittings may include lavatory, sink, bath & shower, lawn and sediment faucets. Plumbing fixture fittings to be installed in accordance with the manufacturer's instructions and the requirements of the latest edition of the Uniform Plumbing Code and National Plumbing Code of Canada.

Products listed on this certificate have been tested by an IAPMO R&T recognized laboratory. This recognition has been granted based upon the laboratory's compliance to the applicable requirements of ISO/IEC 17025.



Essential accessories list



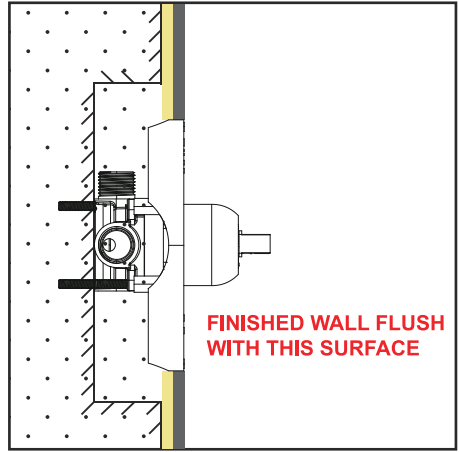
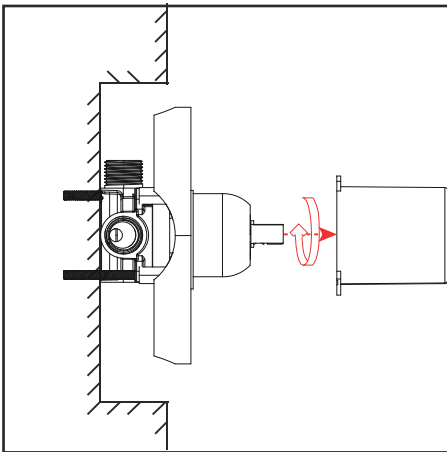
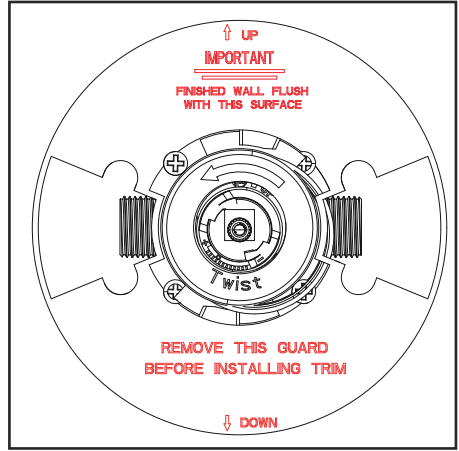
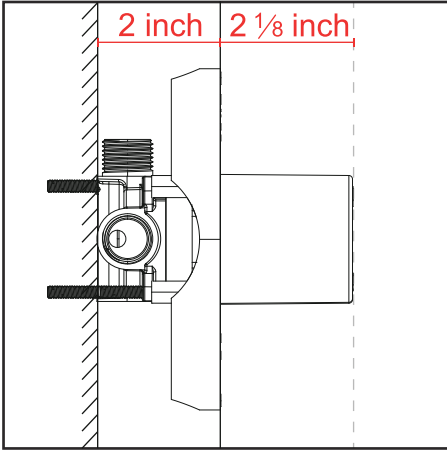
Parts Legend

01. Shower Head	06. Shower Pipe	11. Wall Anchor	15. Rubber Washer
02. Rubber Washer	07. Hand Shower Holder	12. Low Mount	16. Hand Shower
03. Shower Arm	08. Diverter	13. Rubber Washer	17. Shower Handle
04. Top Escutcheon	09. Bottom Escutcheon	14. Stainless Steel Shower Hose	18. Shower Plate
05. 1/2" NPT Nipple Fitting	10. Low Mount Screw		19. Shower Valve

WARNING:

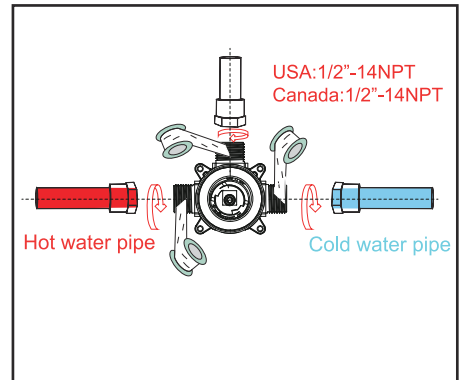
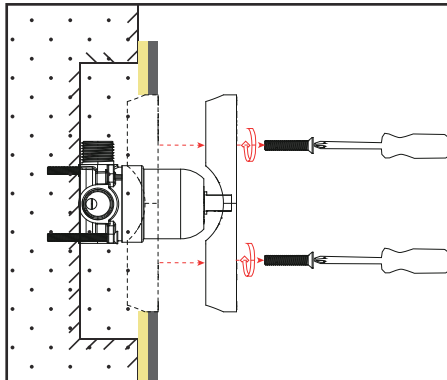
Choking hazard. Keep all small parts and plastic bags out of the reach of children and pets.

Step 1: Install Shower Valve



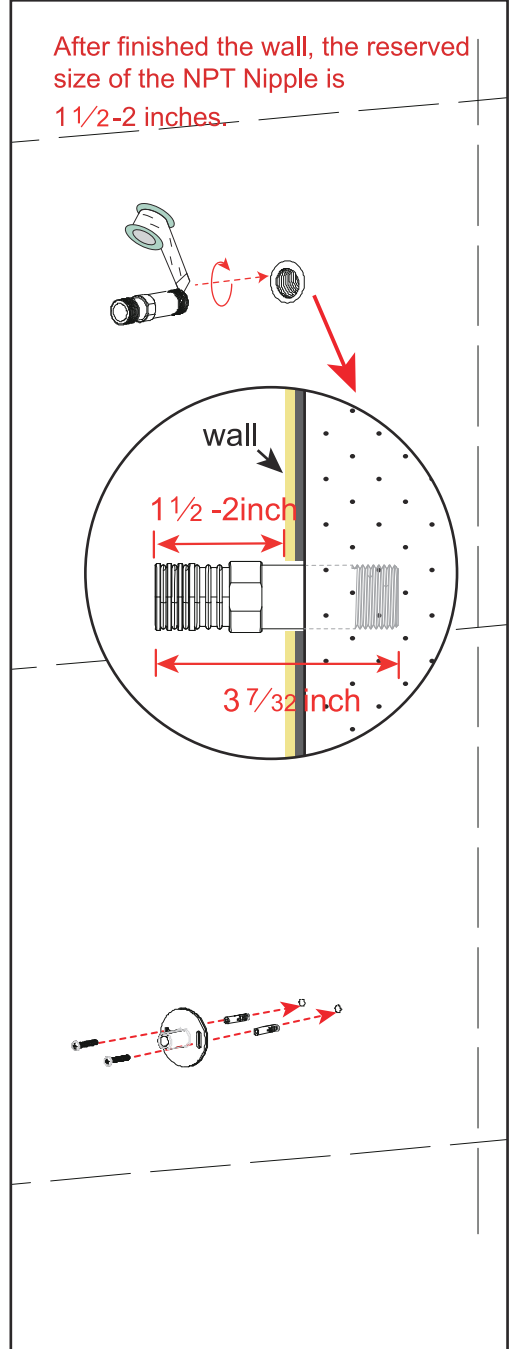
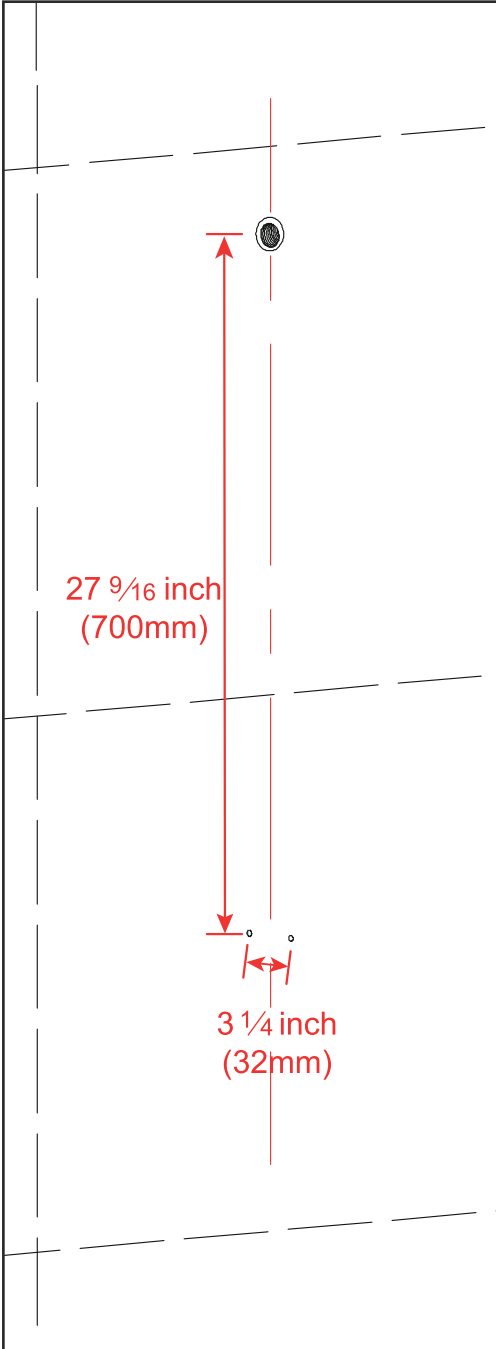
Before tiling

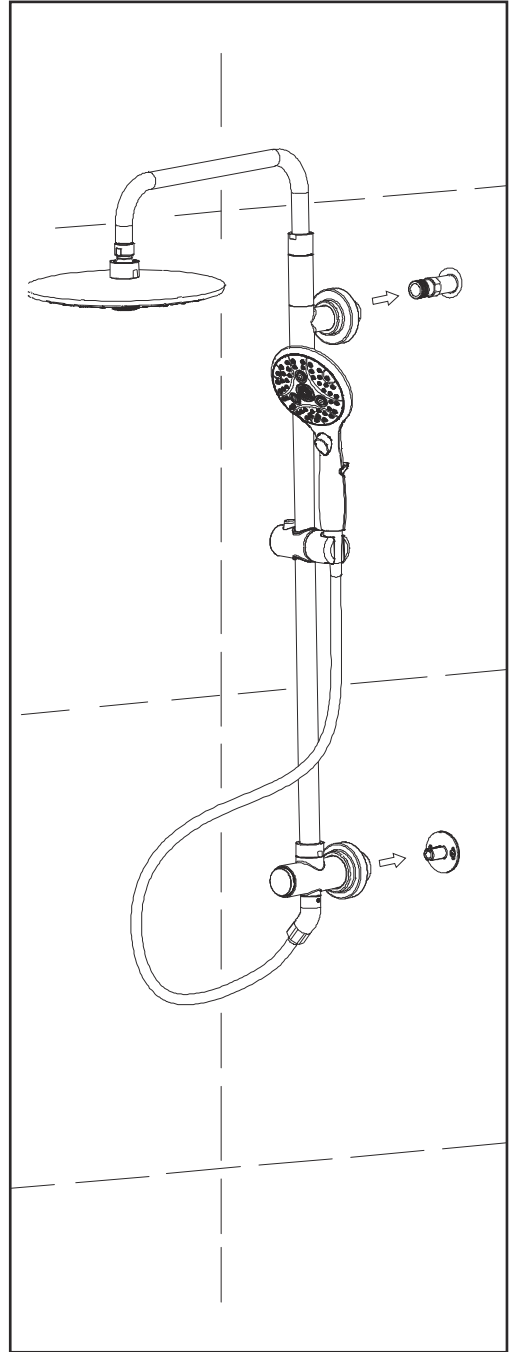
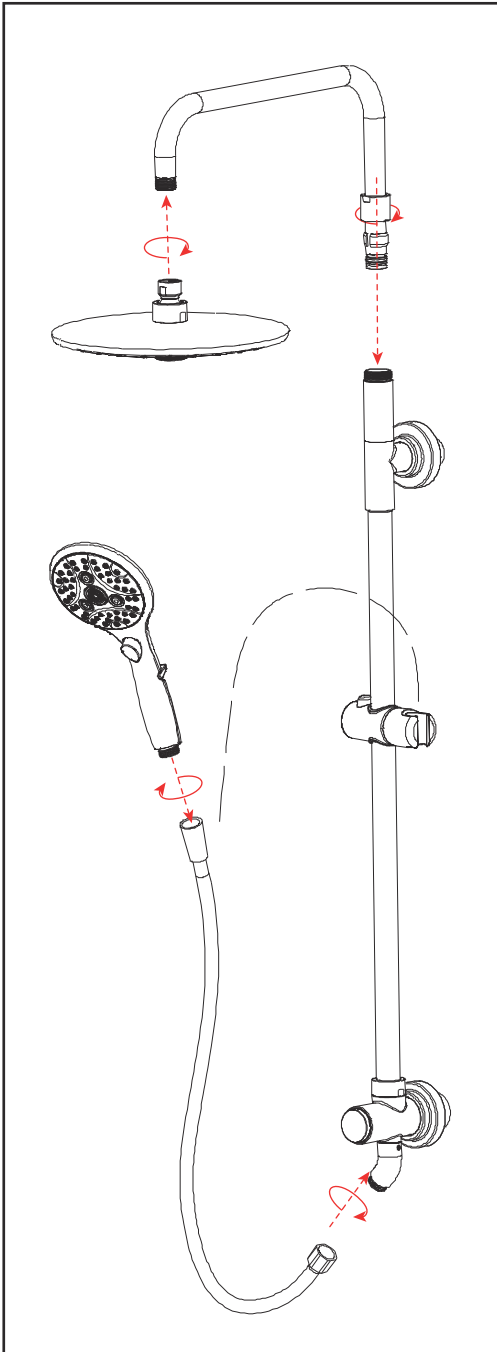
Finished Tiles

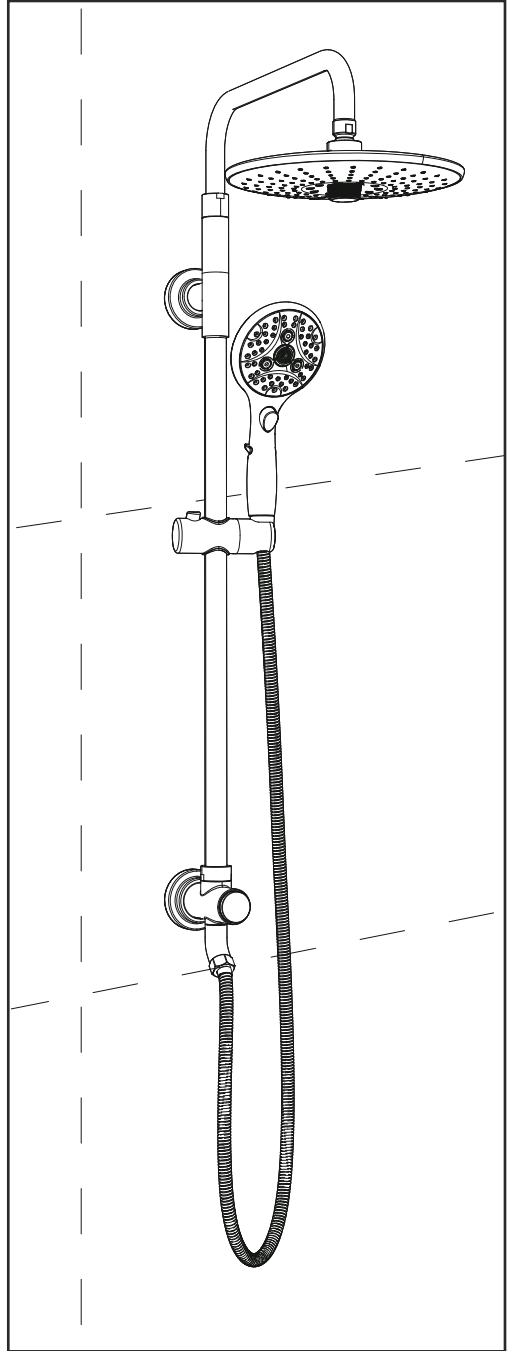
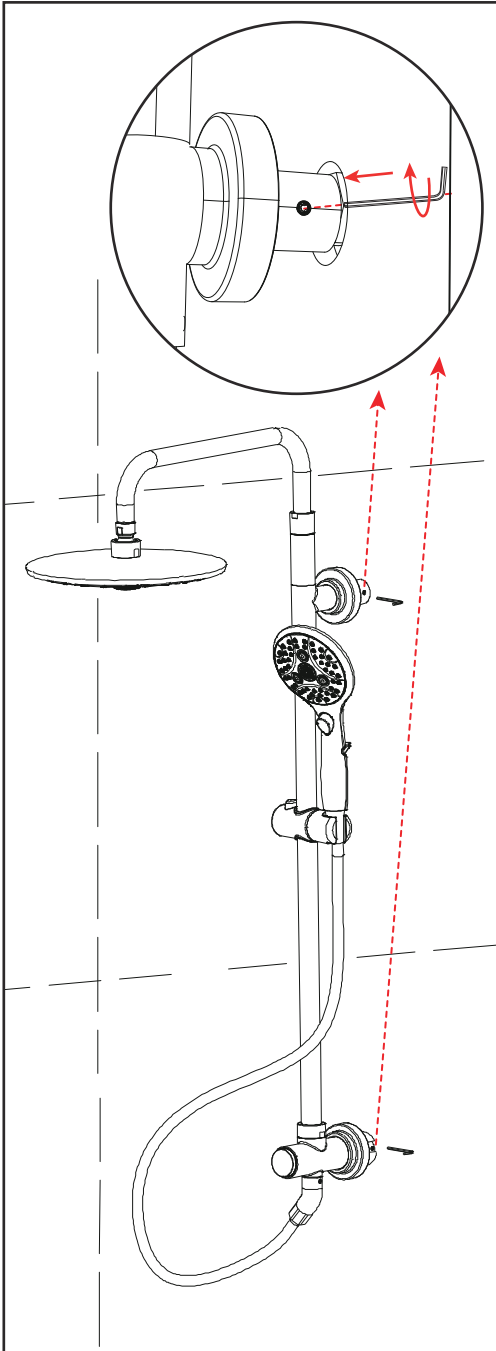


Finished Tiles

Step 3: Install shower arm and shower head

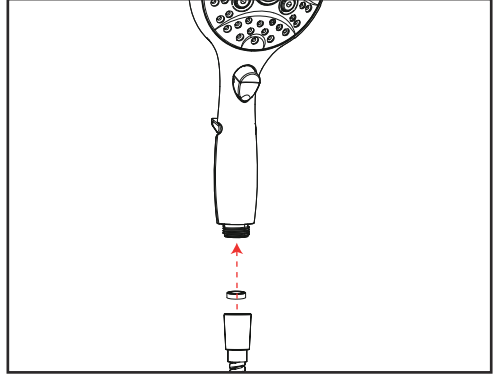
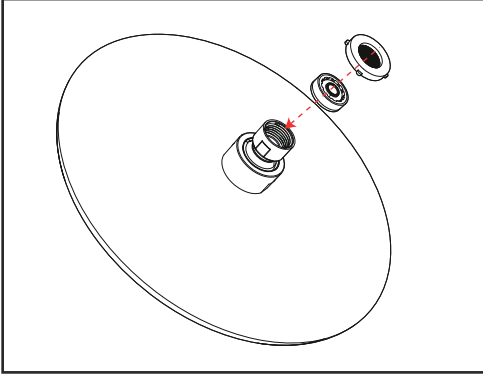




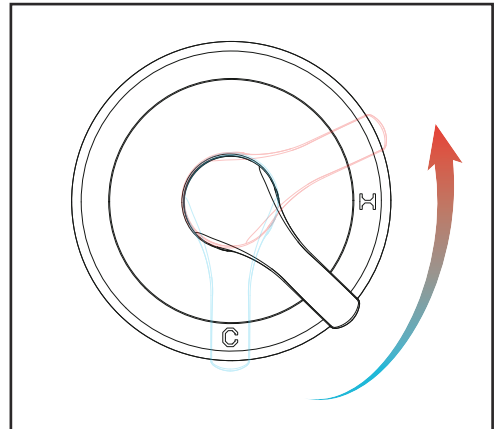
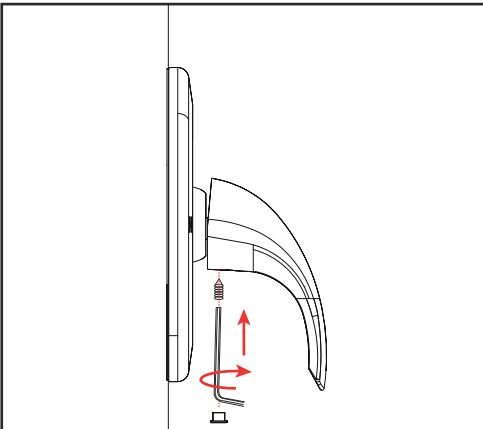


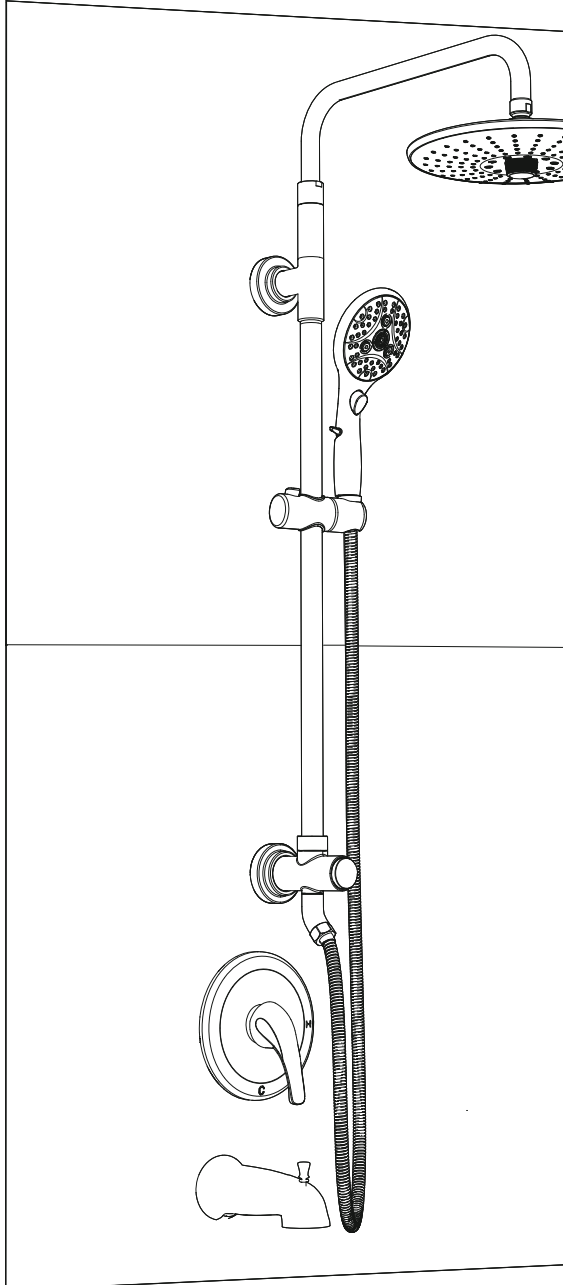
Tips:

01. Each shower system is equipped with 2 water-saving tablets. One can be used for the bottom of the hand-held shower, and one can be used for the bottom of the shower head (remove the O-type filter gasket first).

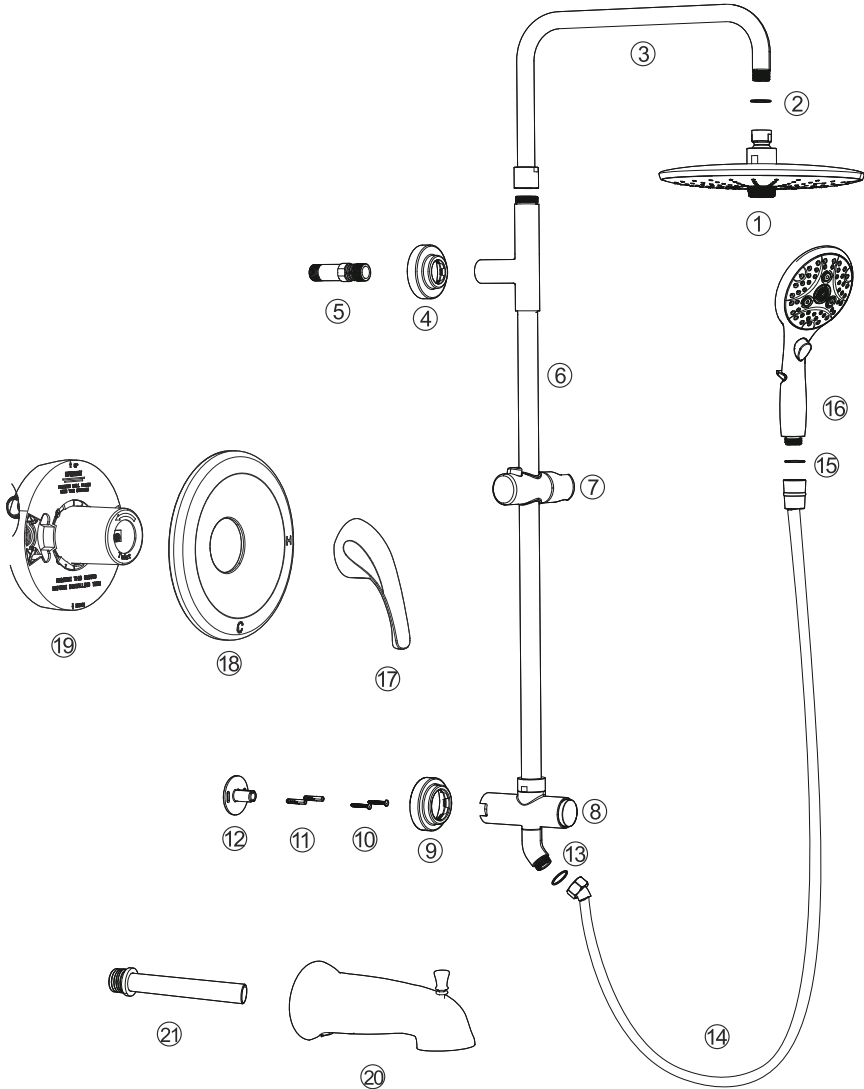


02. Adjust the red collar to limit the water temperature.





Essential accessories list



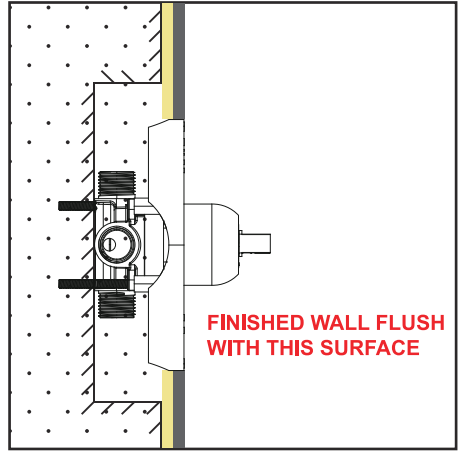
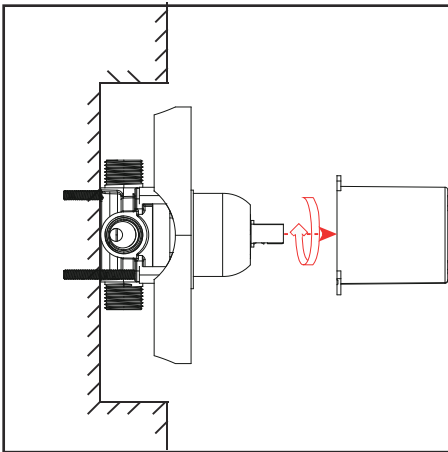
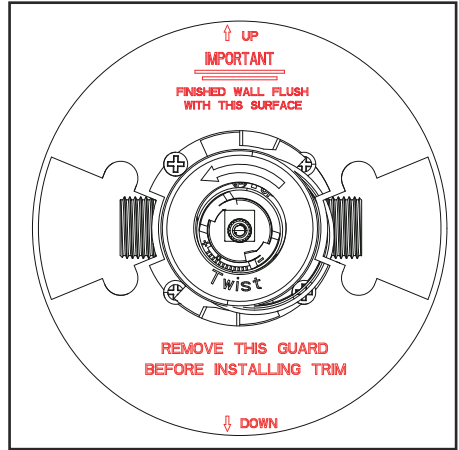
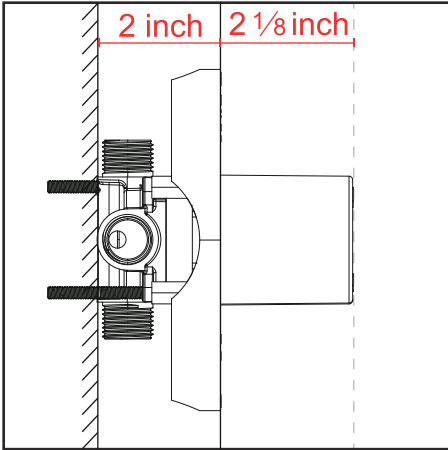
Parts Legend

01. Shower Head	06. Shower Pipe	11. Wall Anchor	15. Rubber Washer	20. Tub Spout
02. Rubber Washer	07. Hand Shower Holder	12. Low Mount	16. Hand Shower	21. Adapter for Tub Spout
03. Shower Arm	08. Diverter	13. Rubber Washer	17. Shower Handle	
04. Top Escutcheon	09. Bottom Escutcheon	14. Stainless Steel Shower Hose	18. Shower Plate	
05. 1/2" NPT Nipple Fitting	10. Low Mount Screw		19. Shower Valve	

WARNING:

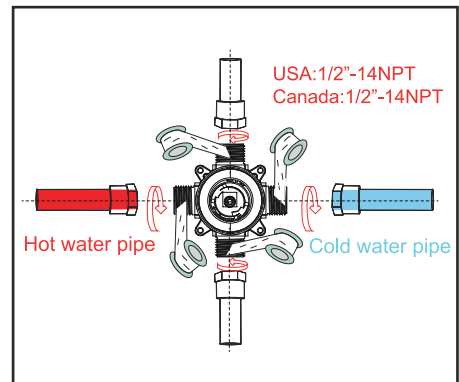
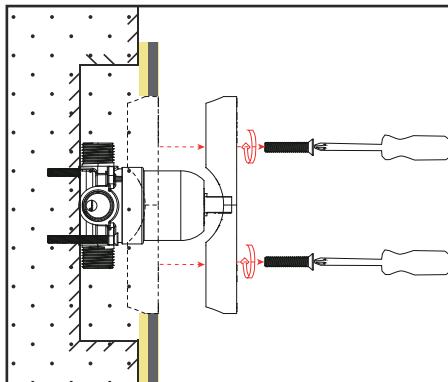
Choking hazard. Keep all small parts and plastic bags out of the reach of children and pets.

Step 1: Install Shower Valve



Before tiling

Finished Tiles

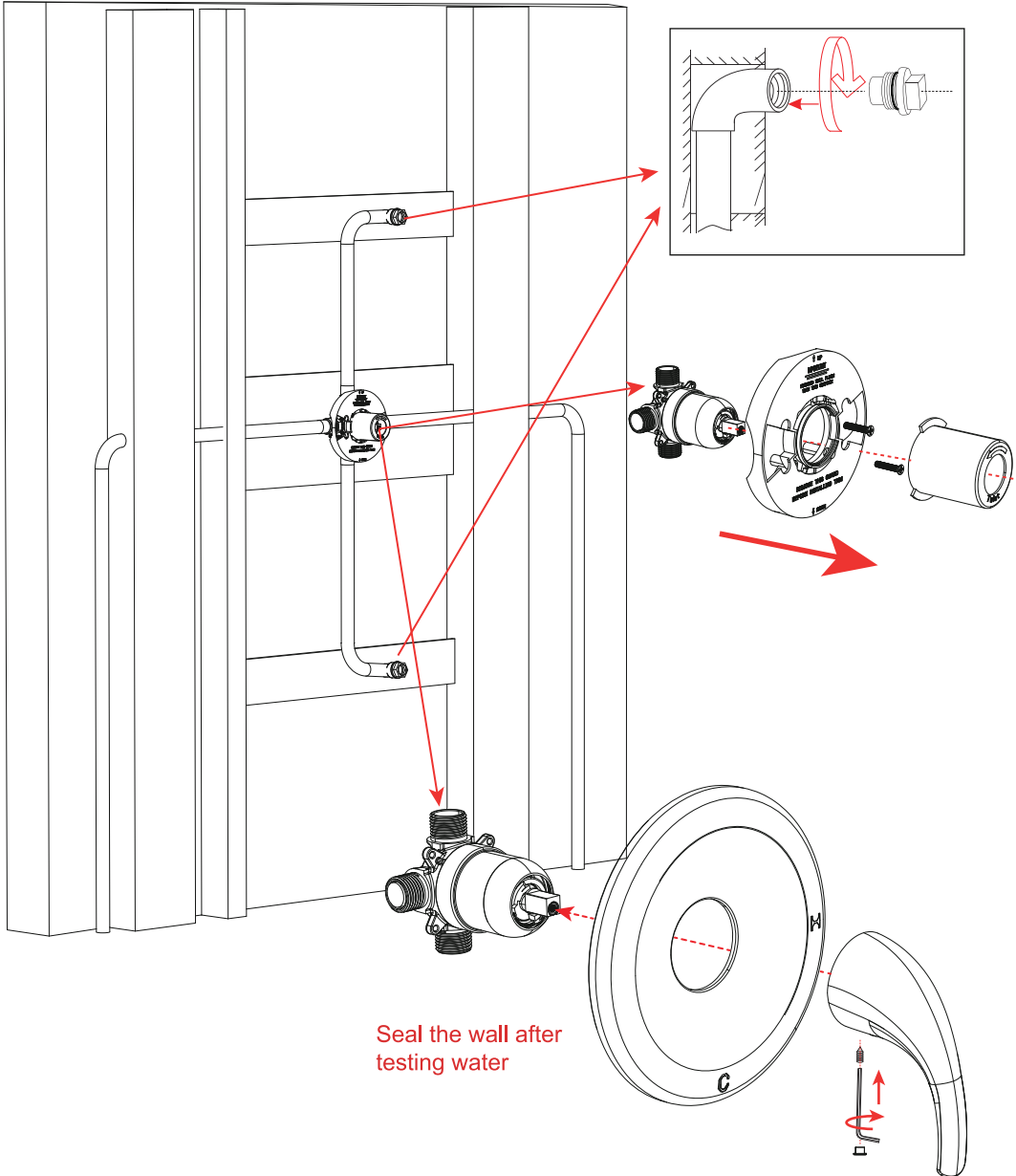


Finished Tiles

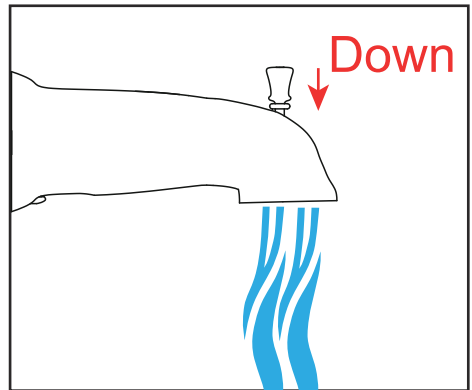
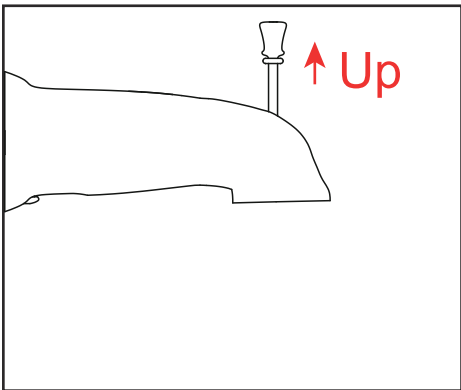
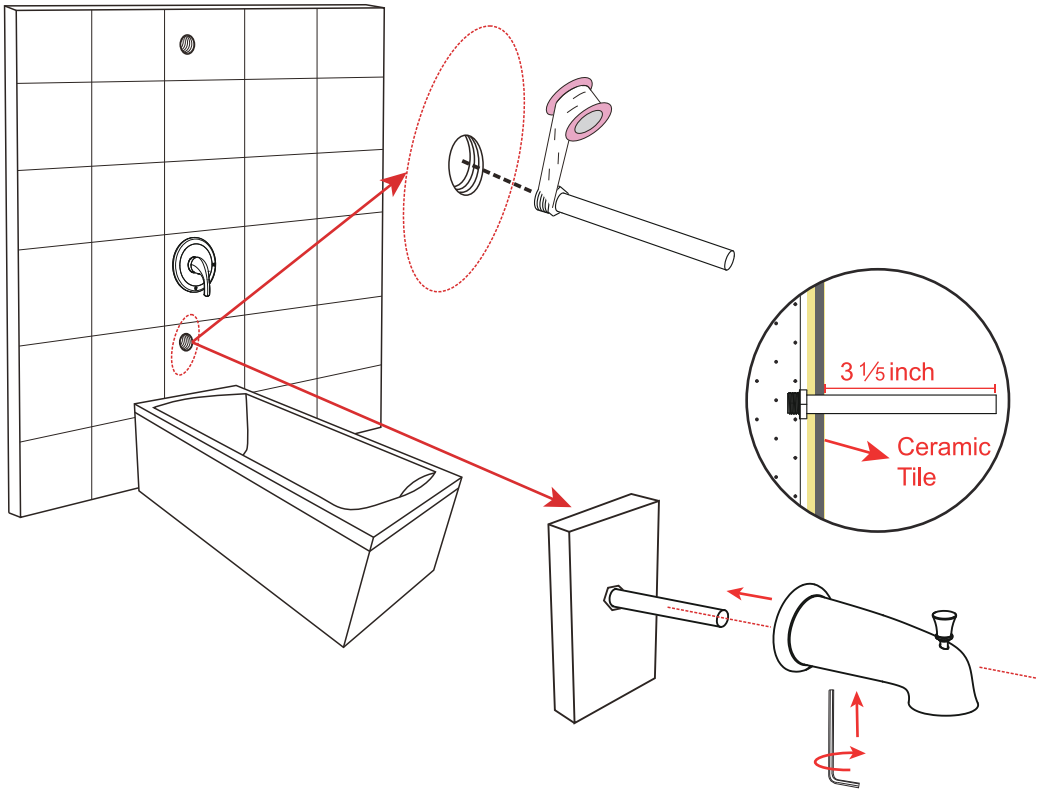
Step 2: Test valve and piping

Test whether the shower valve is working properly before sealing the wall and check if there is any water leakage at the joint

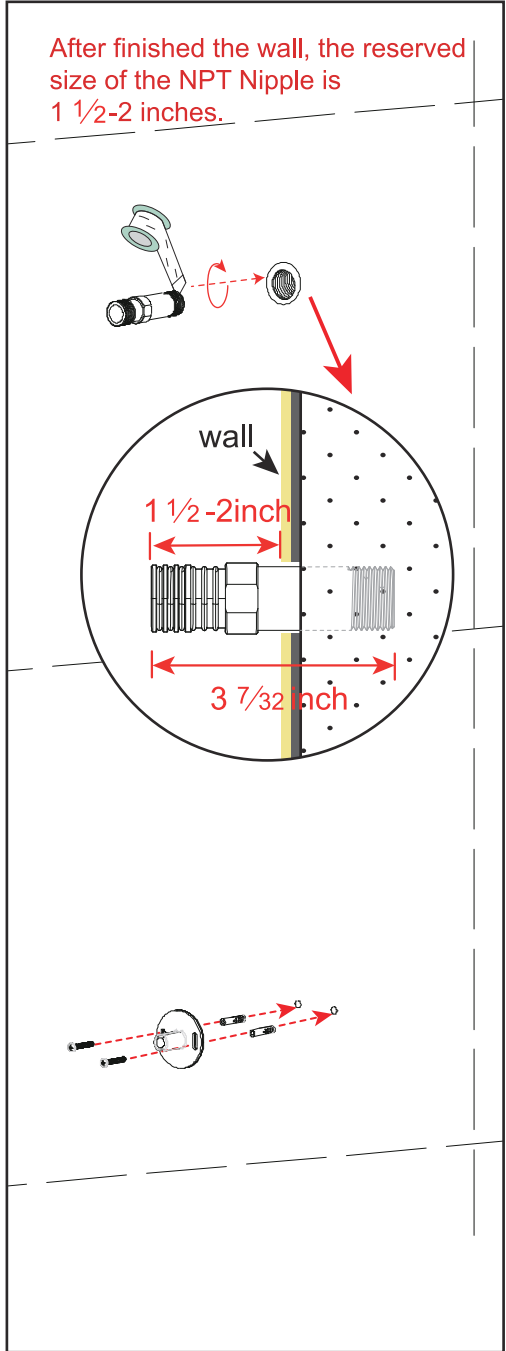
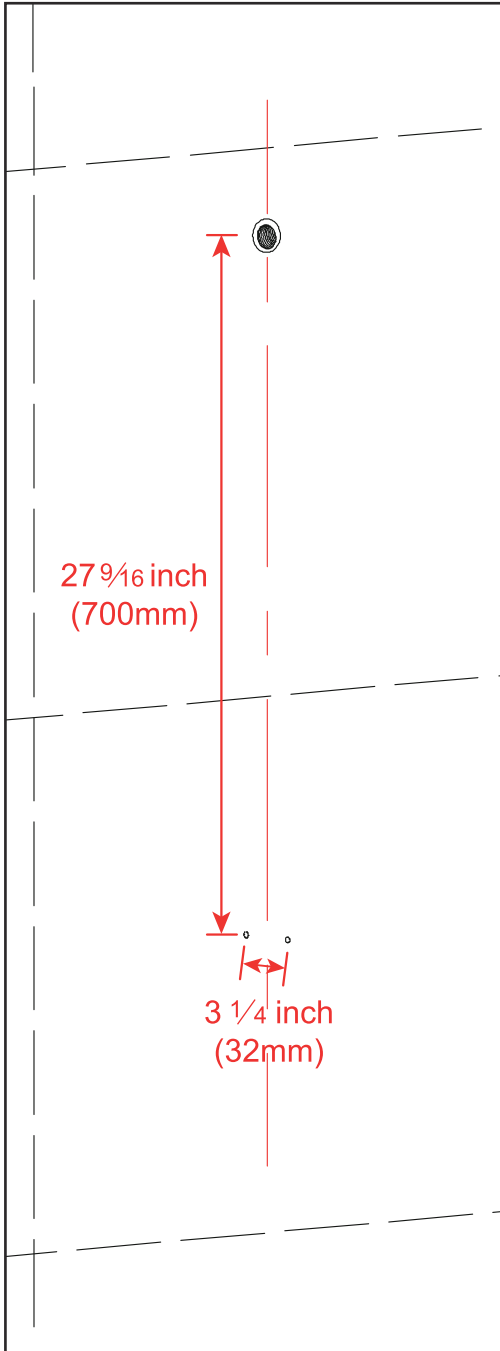
Plug these two joints, running the shower system about 48 hours, and check for leaks

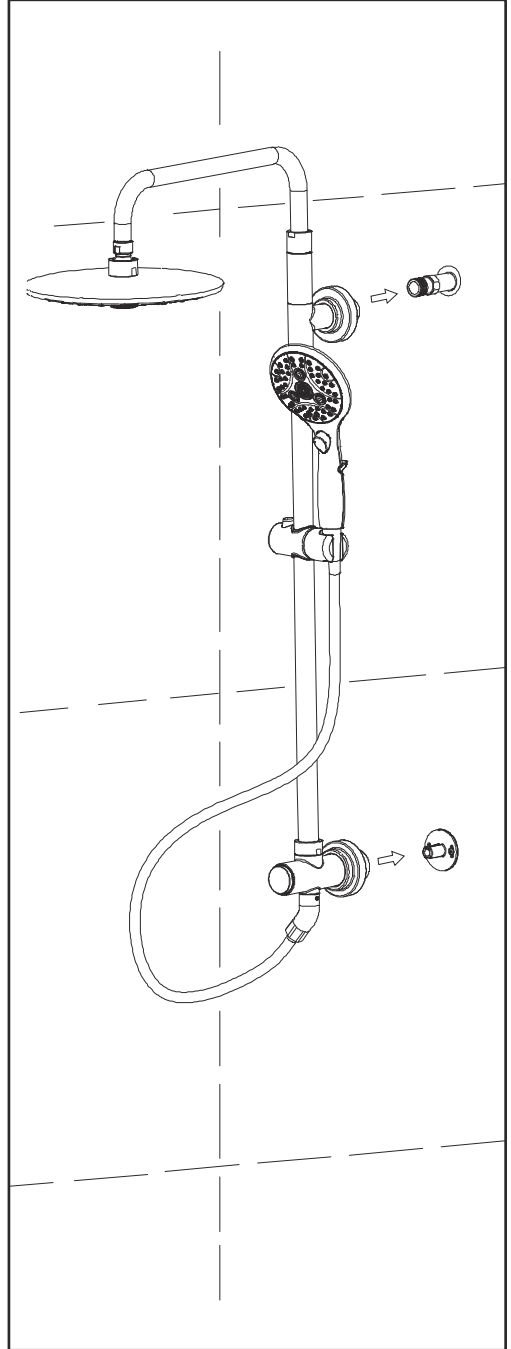
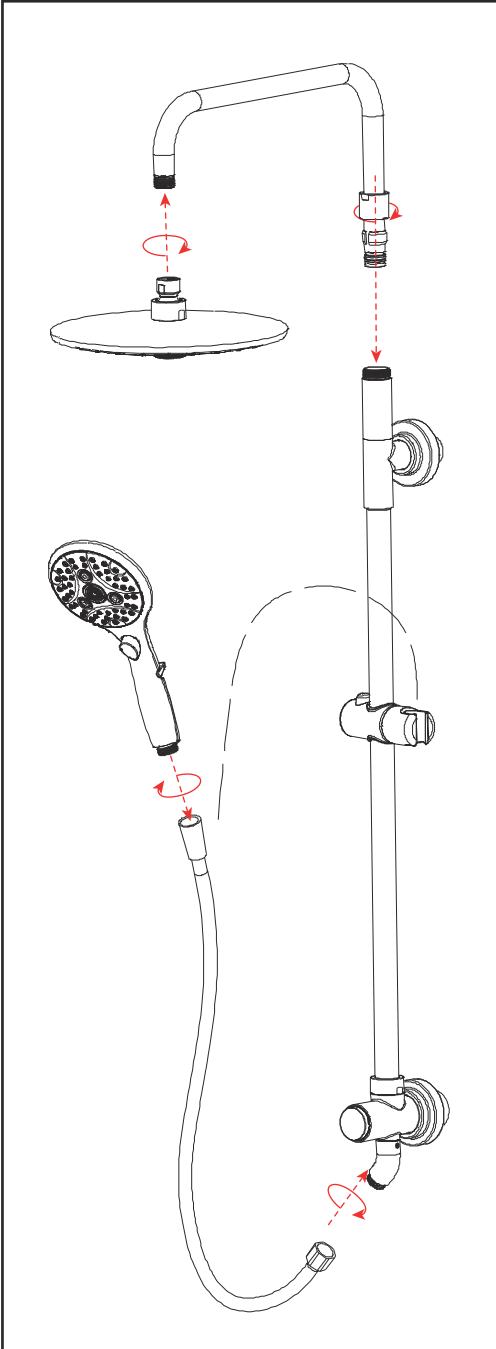


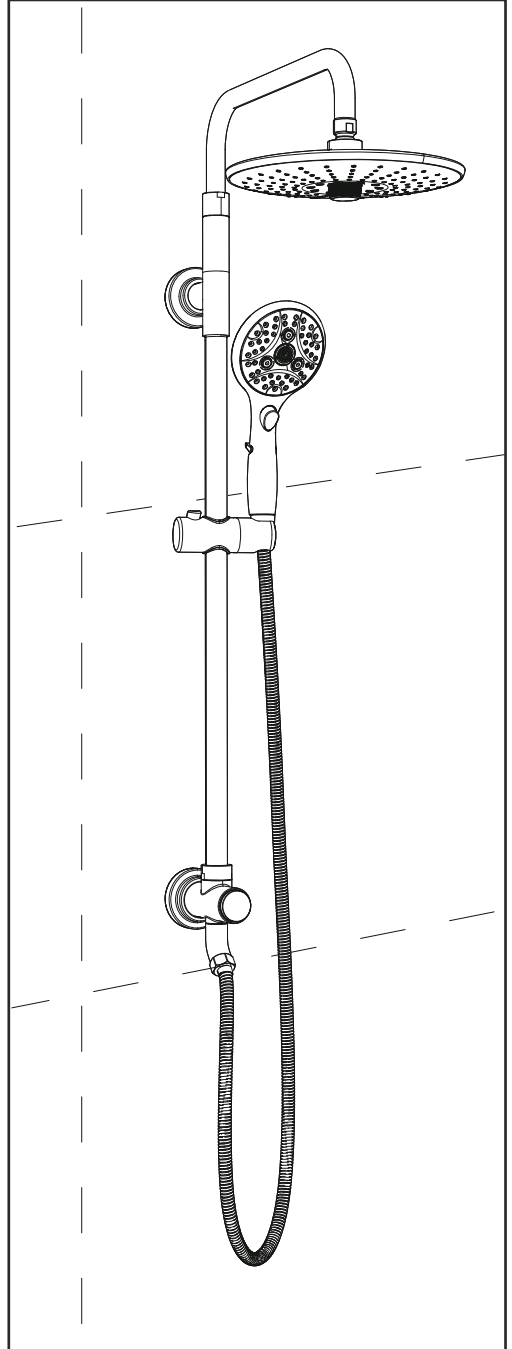
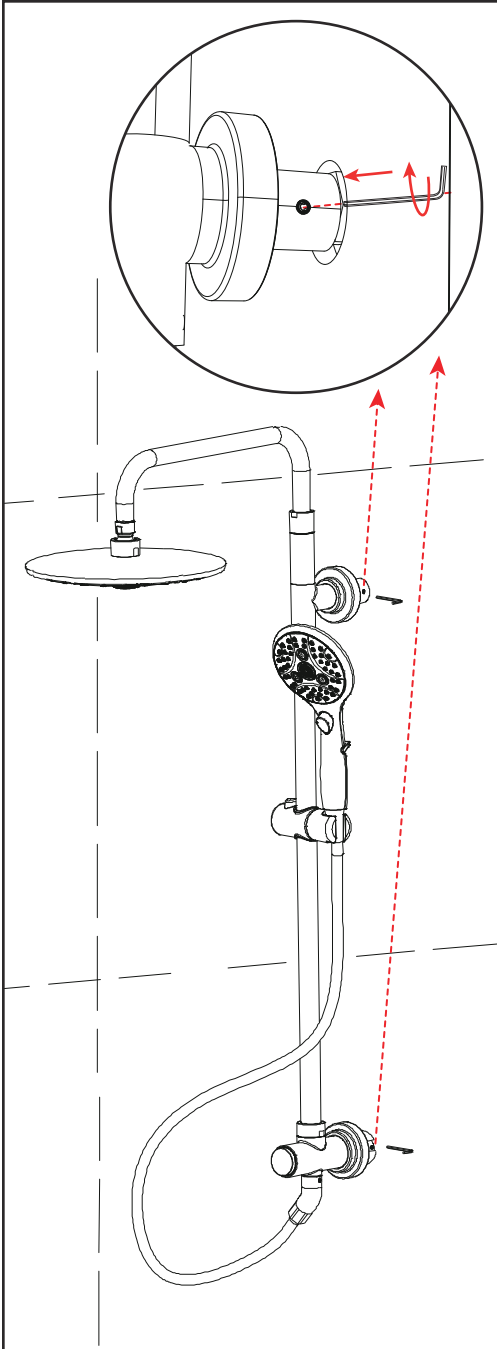
Step 3: Install Tub Spout



Step 4: Install shower arm and shower head

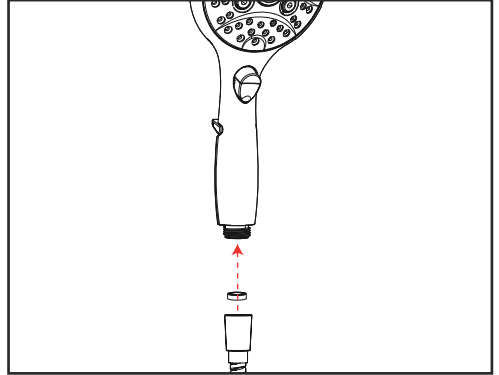
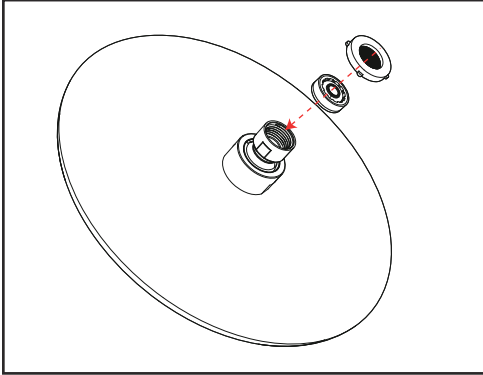




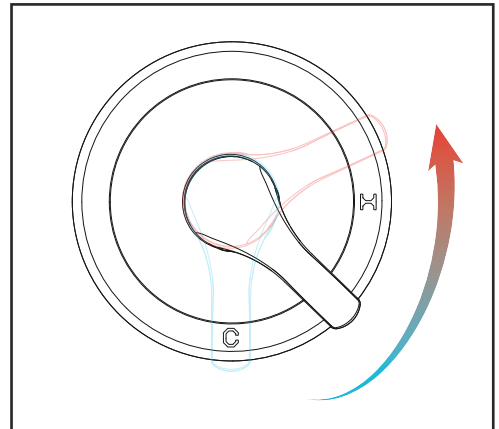
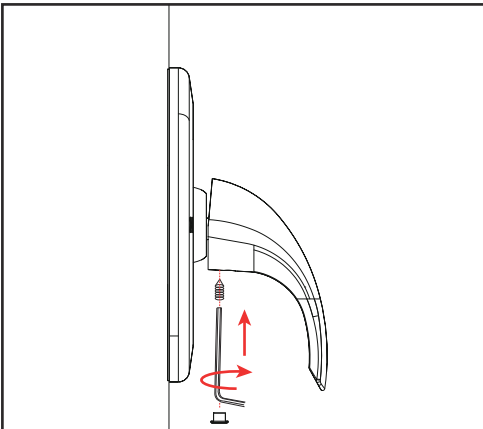


Tips:

01. Each shower system is equipped with 2 water-saving tablets. One can be used for the bottom of the hand-held shower, and one can be used for the bottom of the shower head (remove the O-type filter gasket first).



02. Adjust the red collar to limit the water temperature.



Customer	
Retail Store/Install Store	
Purchase Date	
Warranty Duration	5 years warranty since the purchase date.

- 1.If the above contents are not complete, the warranty will be considered invalid, please confirm the above contents when you purchase.
- 2.The free guarantee repairs are limited to the listed items on the warranty.
- 3.Within warranty period, if any technical faults occur, customer should present warranty and purchase invoice to retail shop or install for repair request.

Guarantee Repairs Claims

- 1.Within warranty period , SR SUN RISE SANITARY is responsible for repairing any defective product for free.
- 2.Please contact seller by email with this warranty and purchase invoice when the product needs guarantee repairs within warranty period.
- 3.Within warranty period, the listed situations below need to pay for replacement.
 - 3.1 The malfunction and damage caused by improper use and repair or reconstruct unauthorized. (forbid any throw, beat behavior)
 - 3.2The malfunction and damage caused by not refer to instruction during installation.(forbid any unprofessional plumber install this product)
 - 3.3The malfunction and damage caused by removing after installation or other factors.
 - 3.4 The malfunction and damage caused by application beyond the scope of usage.
 - 3.5 The damage caused by sands or dirty hands.
 - 3.6 The damage caused by daily improper maintenance and rust on finished and so on.
 - 3.7 The malfunction and damage caused by fires, earthquakes, floods, lightning and natural disasters, pollution, harmful gas, salt and abnormal voltage and other reasons.
 - 3.8The occasions which purchase invoices are not presented.
- 4.The recommend water temperature of hand shower and rain shower head is $\leq 42^{\circ}\text{C}$ with water pressure 0.1-0.3 Mpa. The highest temperature not suggest beyond 70°C with water pressure 0.05-0.5 Mpa. So any product equipped with shower, please keep it away from the heater to avoid potential risk.
5. This limited warranty applies only to the original purchaser and hotel business. It expressly excludes labor charges, removal charges, installation, or other incidental or consequential costs. Any inappropriate application will void the warranty.
- 6.This warranty can no be replaced if missed, please keep safe.
- 7.After-sales service email: mikechen@eyakult.com

Clean and maintain product

How to clean shower head nozzles

1. Just rub the nozzles with your finger or a toothbrush to loosen any deposits, and then run hot water for a few minutes
2. Put the showerhead into a pot. Consider using a smaller container that just about fits the showerhead; this way, you will use less vinegar. You can also use a small bucket or plastic bin.

Fill the pot with enough white vinegar to cover the showerhead. The acids in the vinegar will help dissolve the white mineral deposits on the showerhead.

Let the showerhead soak in the vinegar for 30 minutes. The more soiled the showerhead is, the longer you will have to leave it in the vinegar.

Maintain Chrome and Brushed nickel finished product

1. To clean the products all you need is a high quality microfiber cloth.
2. Apply a high quality chrome cleaner to a clean cotton cloth, and wipe over the chrome. Leave as per product instructions, and then rinse with warm water. Gently remove any product residue using a dry chamois or paper towel.
3. How to Clean Chrome: Homemade Solutions
In addition to professional products, homespun solutions also have their place when breathing new life into dull chrome. Try this shortcut to achieving chrome cleaning nirvana:

Detergent and warm water! Submerge chrome-plated objects including pots and pans in a sink full of warm water. Add a half-cup of a high quality washing up detergent (Persil washing up liquid is good) and rub gently with a soft cotton cloth to avoid scratching the chrome. Use a scented detergent to leave kitchenware smelling fresh, as well as spotless.

