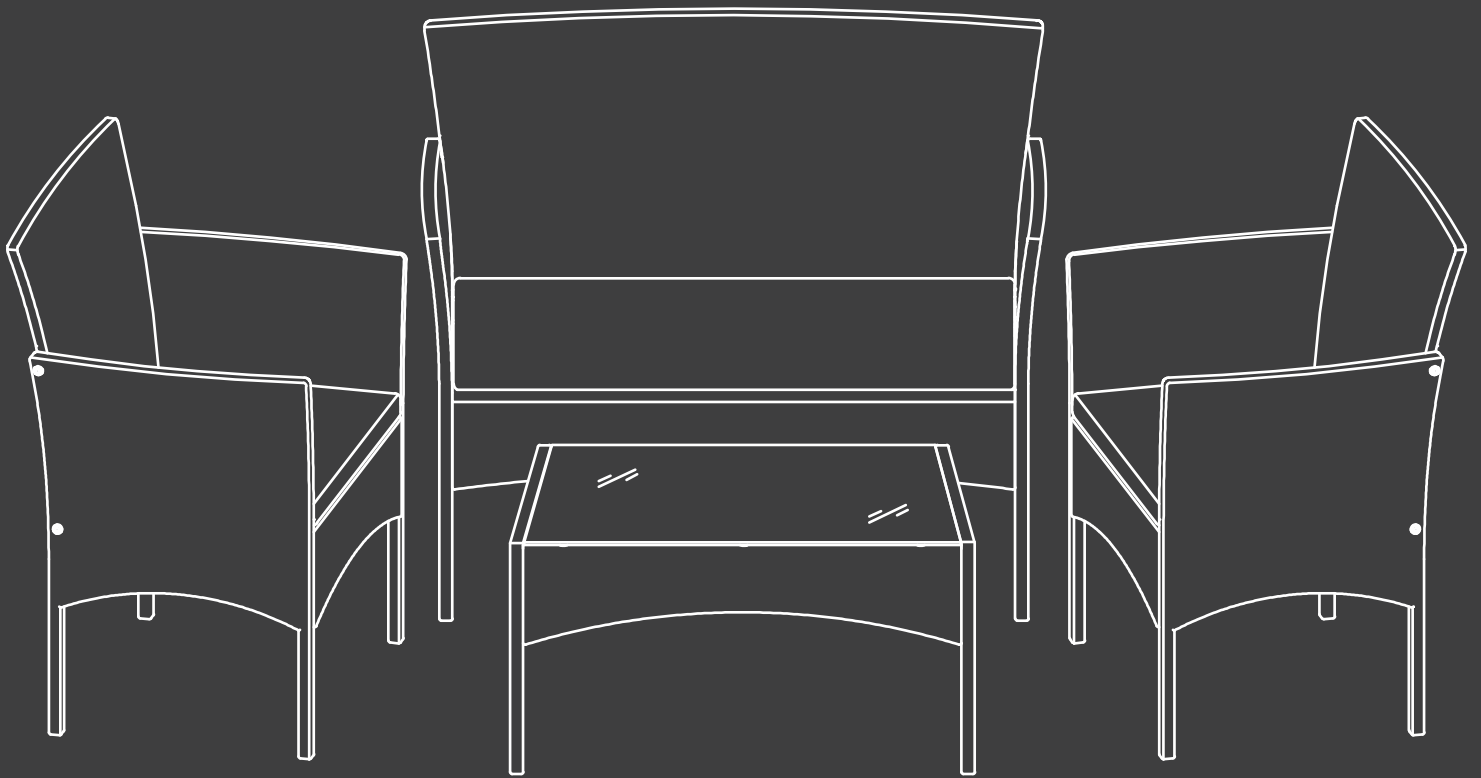


# Patio Furniture Set 4PCS Rattan Chairs

Instruction Manual



## **WARNING**

- Make sure all parts are in the package.
- Some parts may contain sharp edges, please wear protective gloves.
- Keep all children and pets away from assembly area.
- Make sure all screws are tightened before use.
- Weight limited for each set: 250 lbs (113.5kg).
- Please note that gloves are worn during installation.

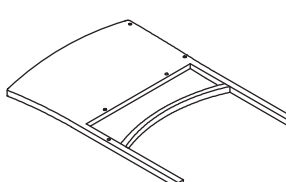
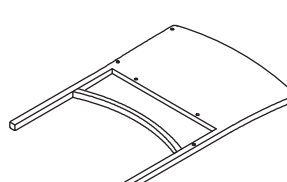
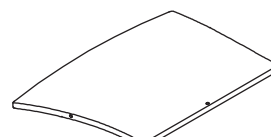
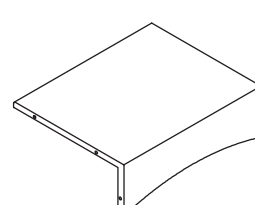
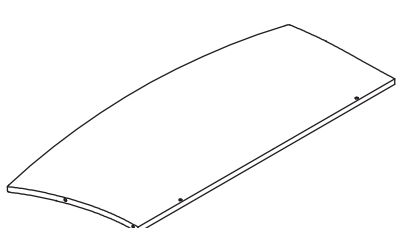
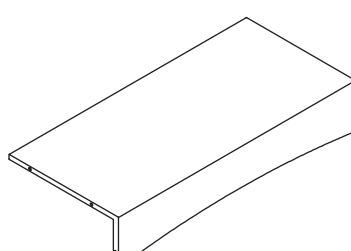
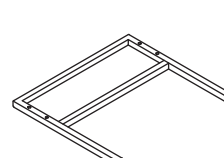
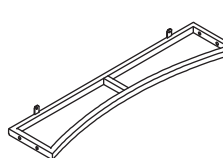
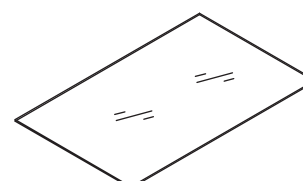
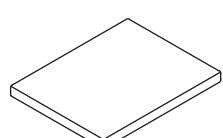
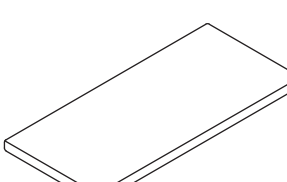
## **Care and Maintenance:**

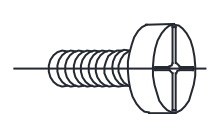

1. Clean the Sofa completely with a soft dry towel before use.
2. Wipe off any dirt when not in use and wash with mild soapy water;  
Rinse thoroughly and dry completely.
3. Check nuts and bolts, re-tighten if necessary.
4. Stored away the cushions when not in use to prolong the life of your product.

# Part List & Assembly Instruction

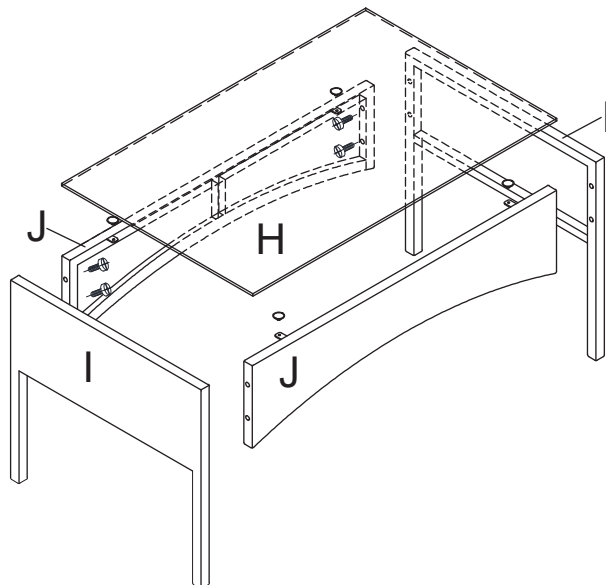
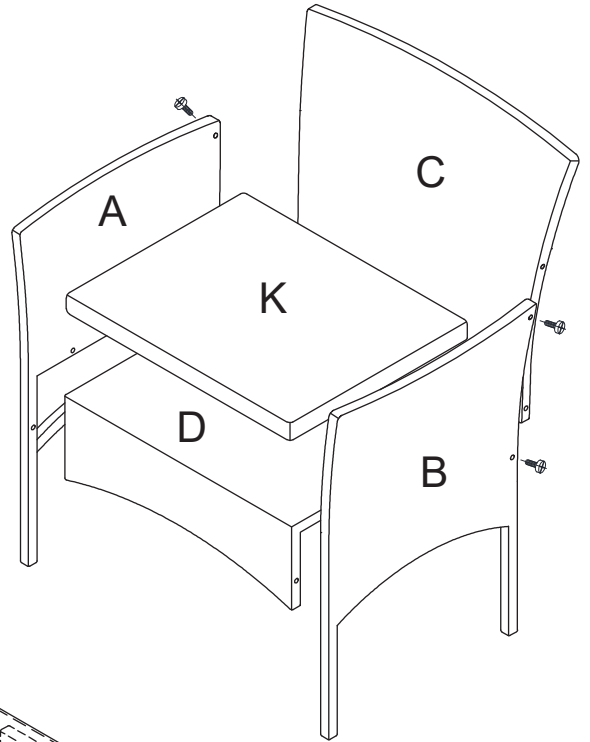
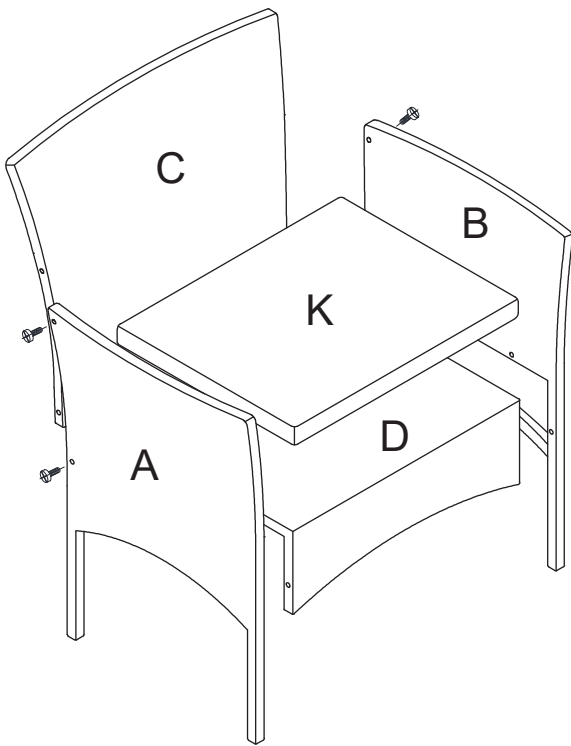
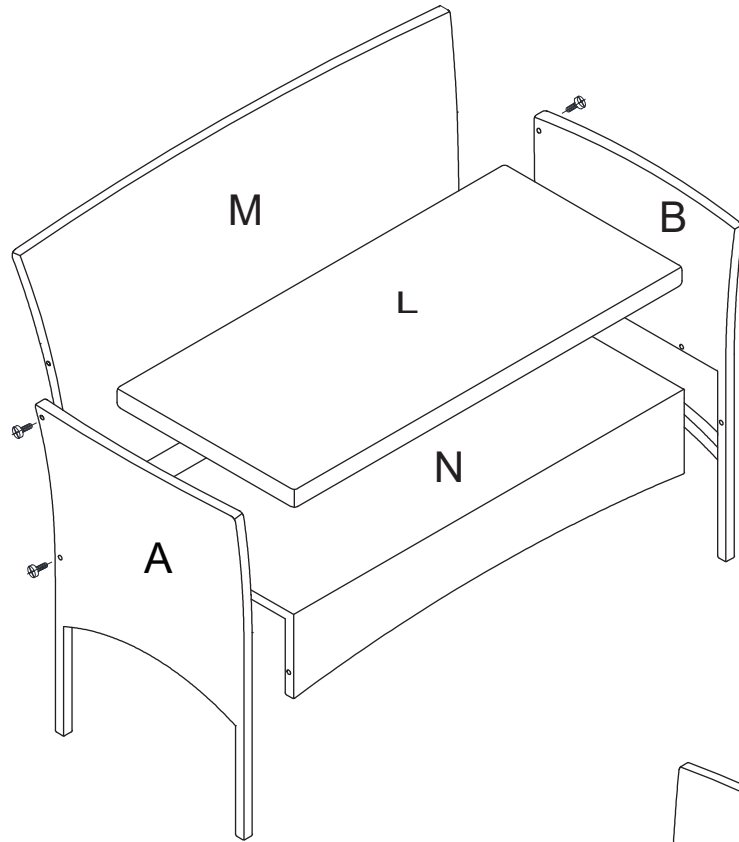
1. Make sure all parts are in the package.

2. Do not tighten all bolts until they have been installed in corresponding locations.

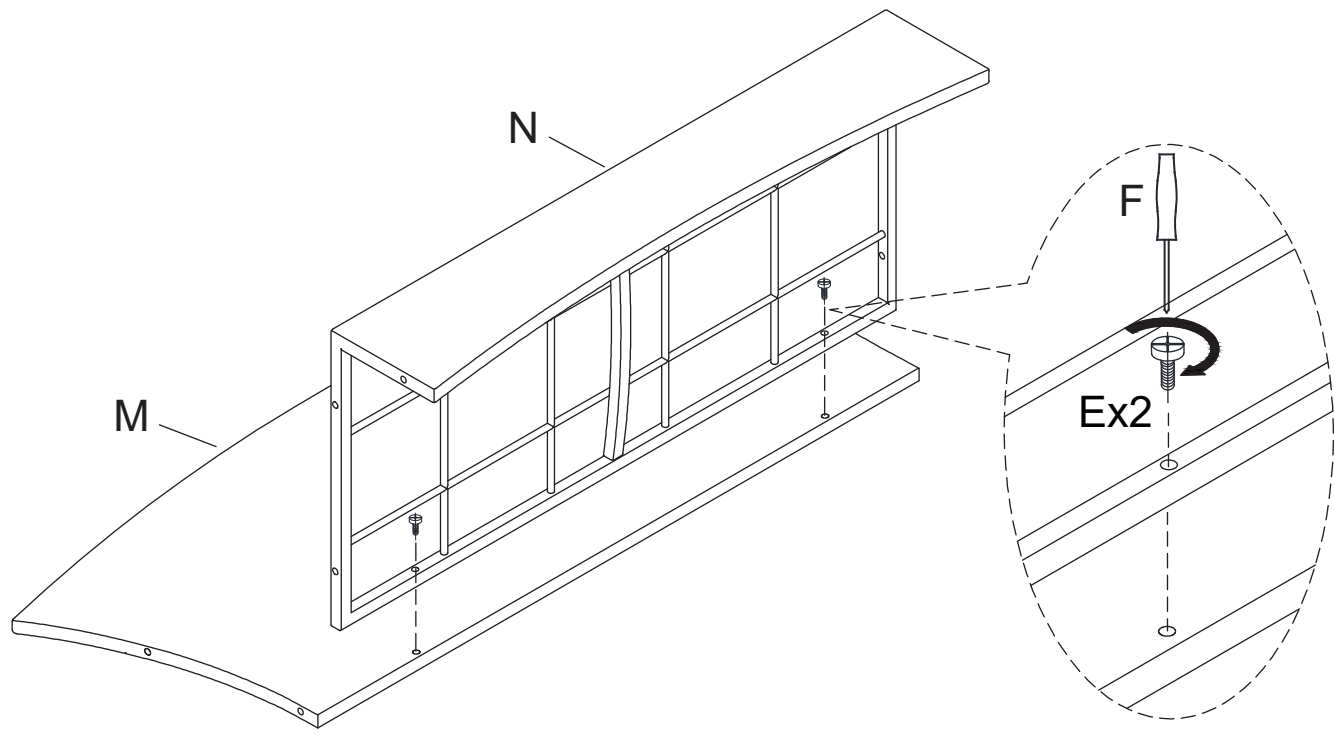
<b>A</b> *3 	<b>B</b> *3 	<b>C</b> *2 
<b>D</b> *2 	<b>M</b> *1 	<b>N</b> *1 
<b>I</b> *2 	<b>J</b> *2 	<b>H</b> *1 
<b>K</b> *2 	<b>L</b> *1 	

<b>F</b> *42 M6*35mm 	<b>P</b> *1 
---	--

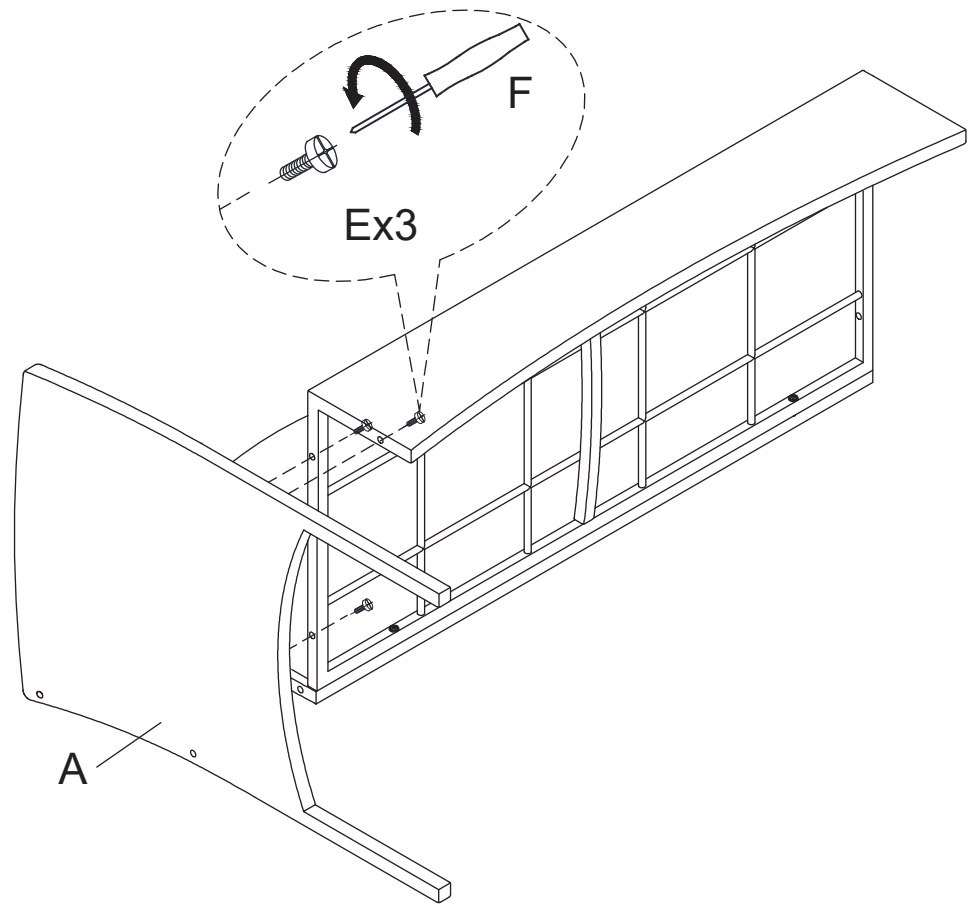
# DESCRIPTION



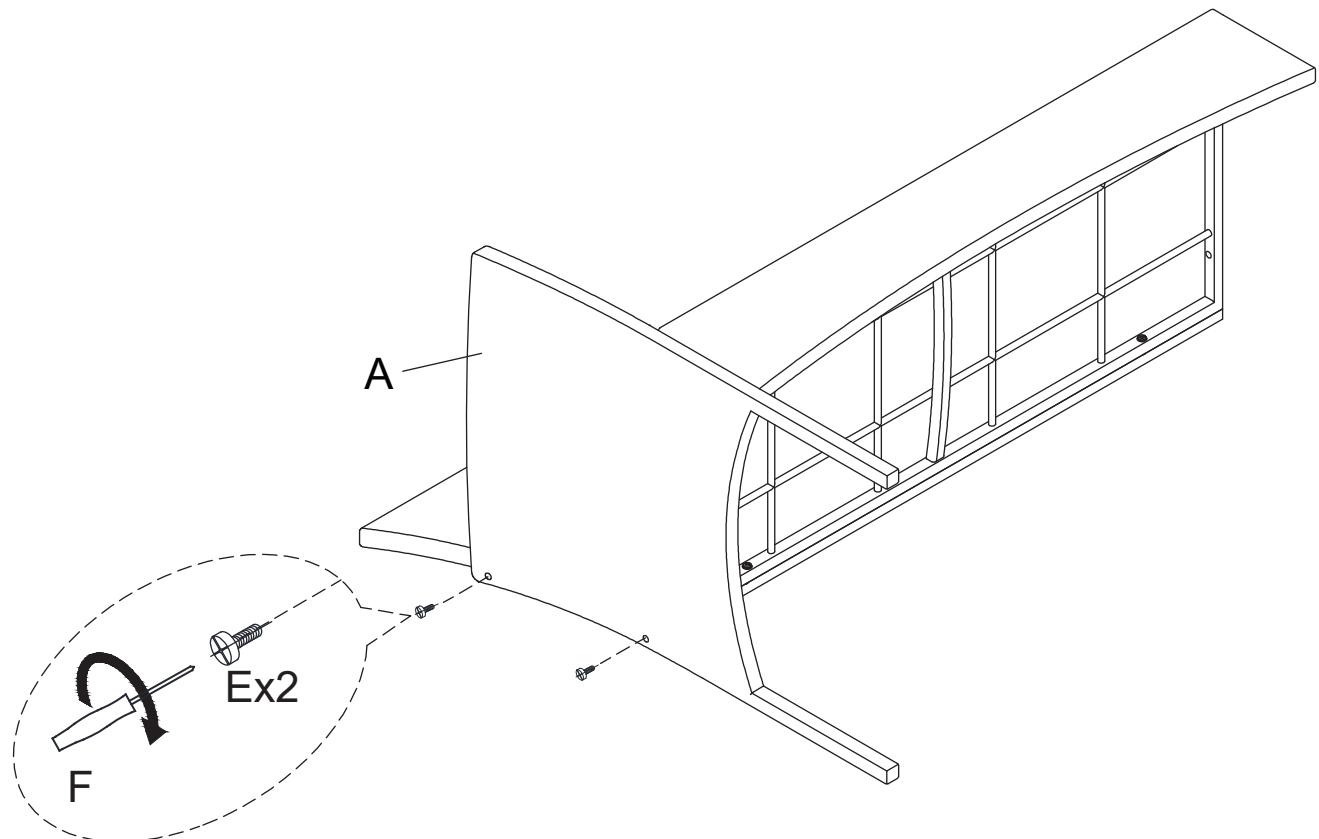
# Step 1



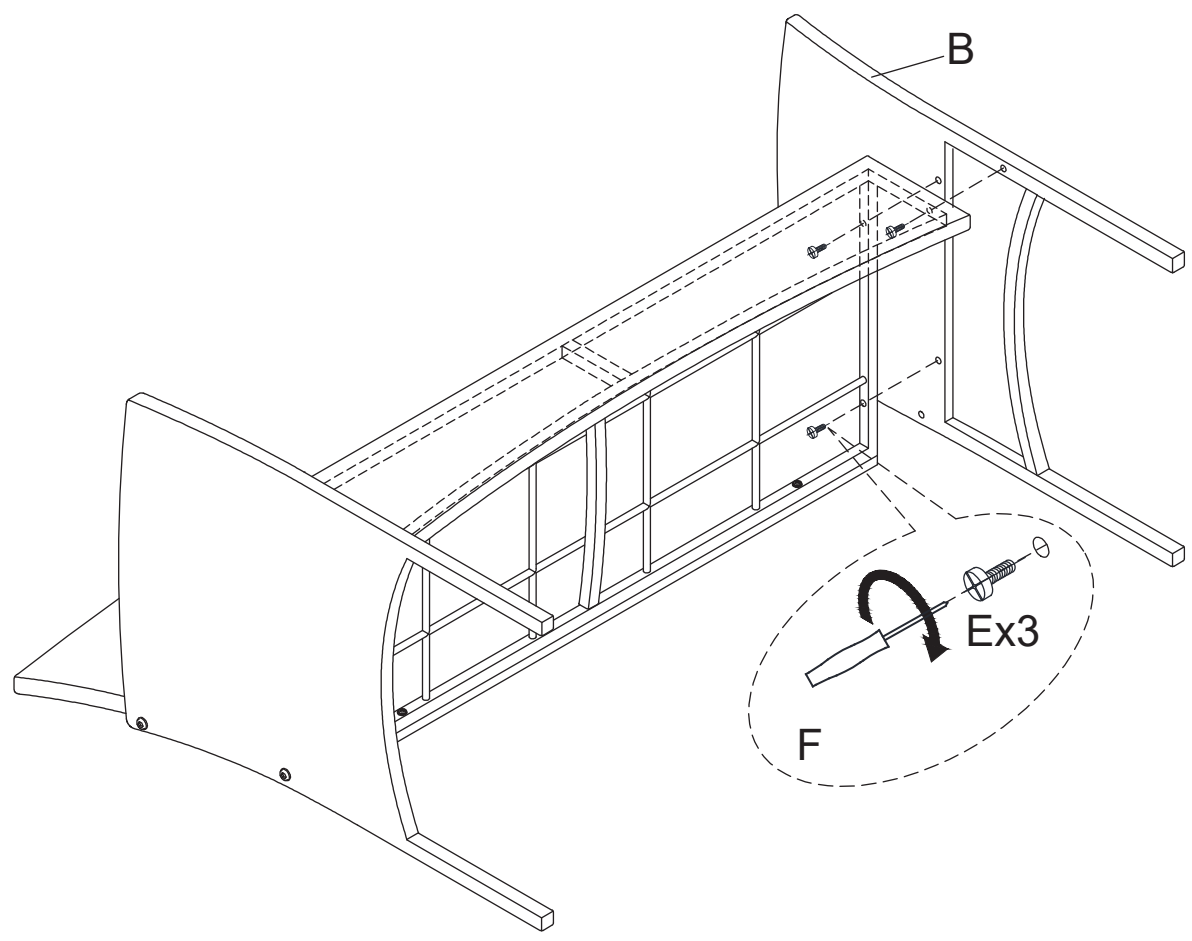
# Step 2



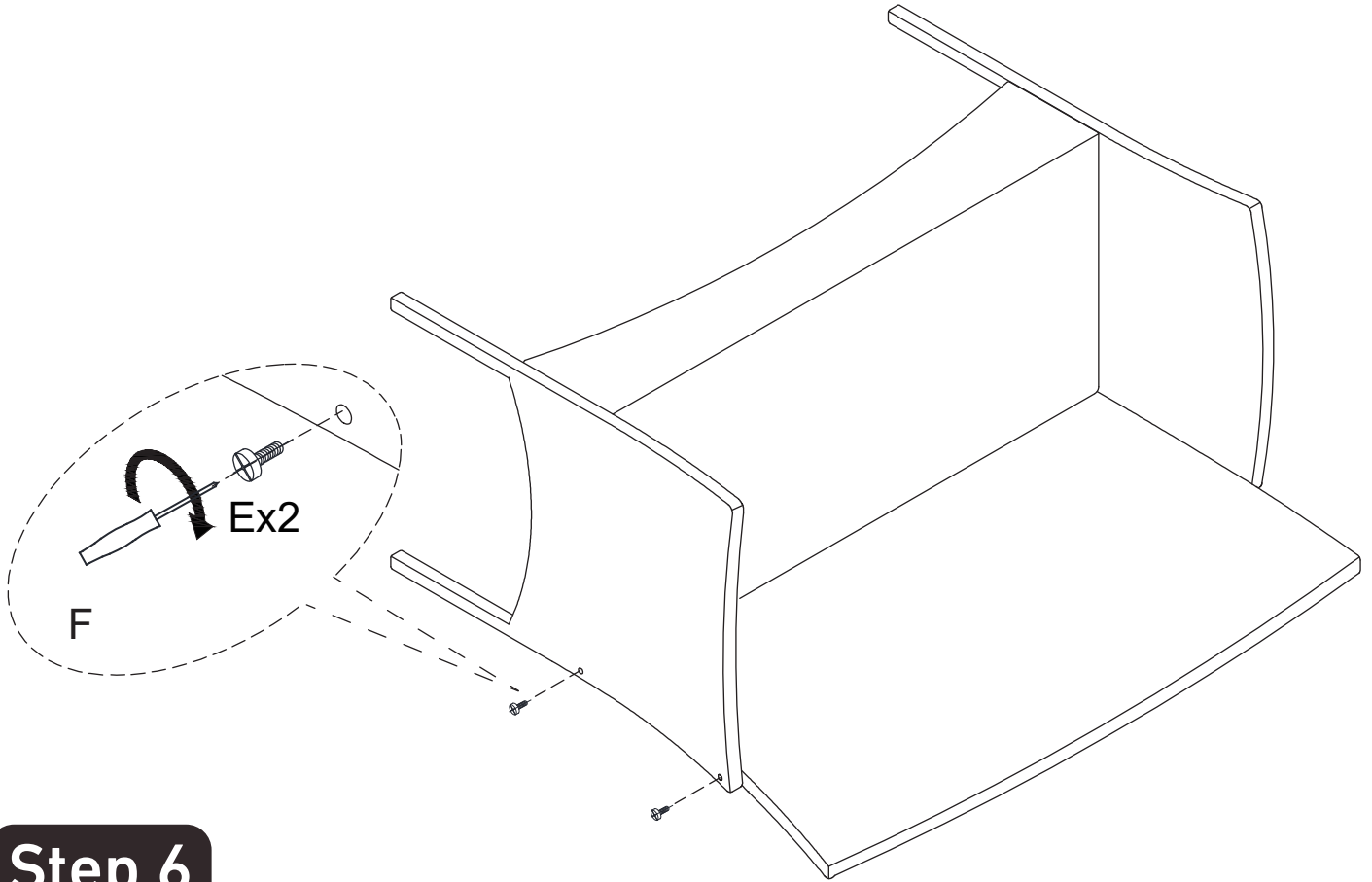
# Step 3



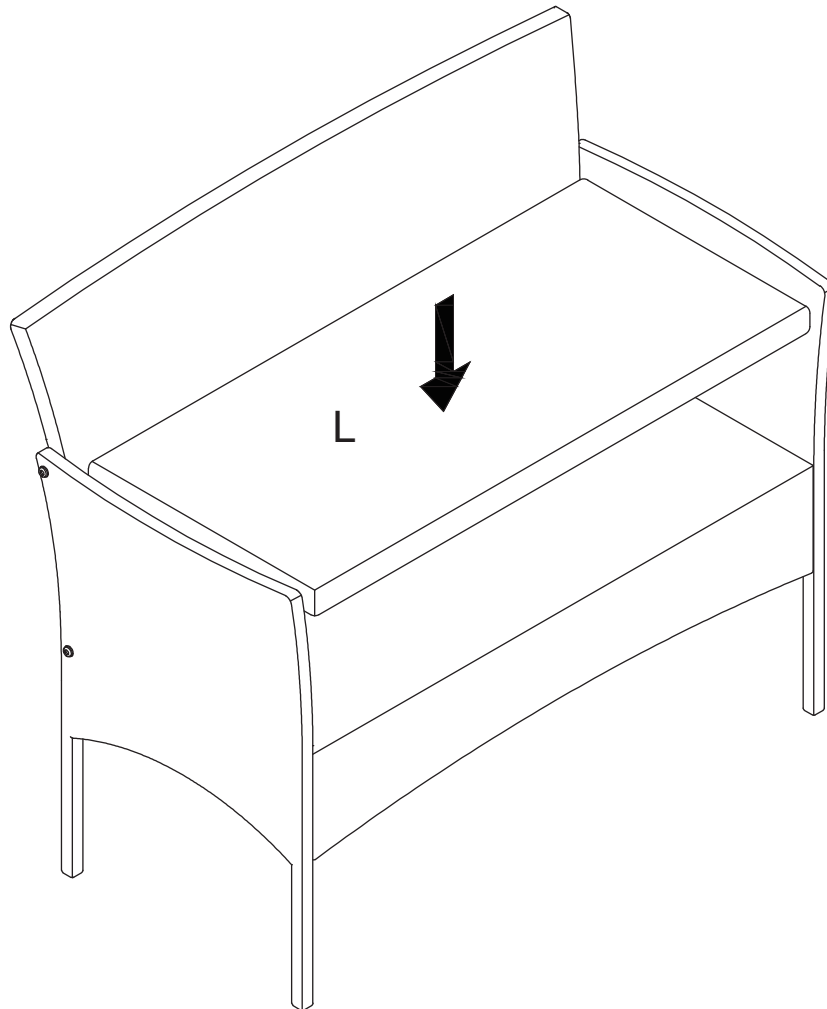
# Step 4



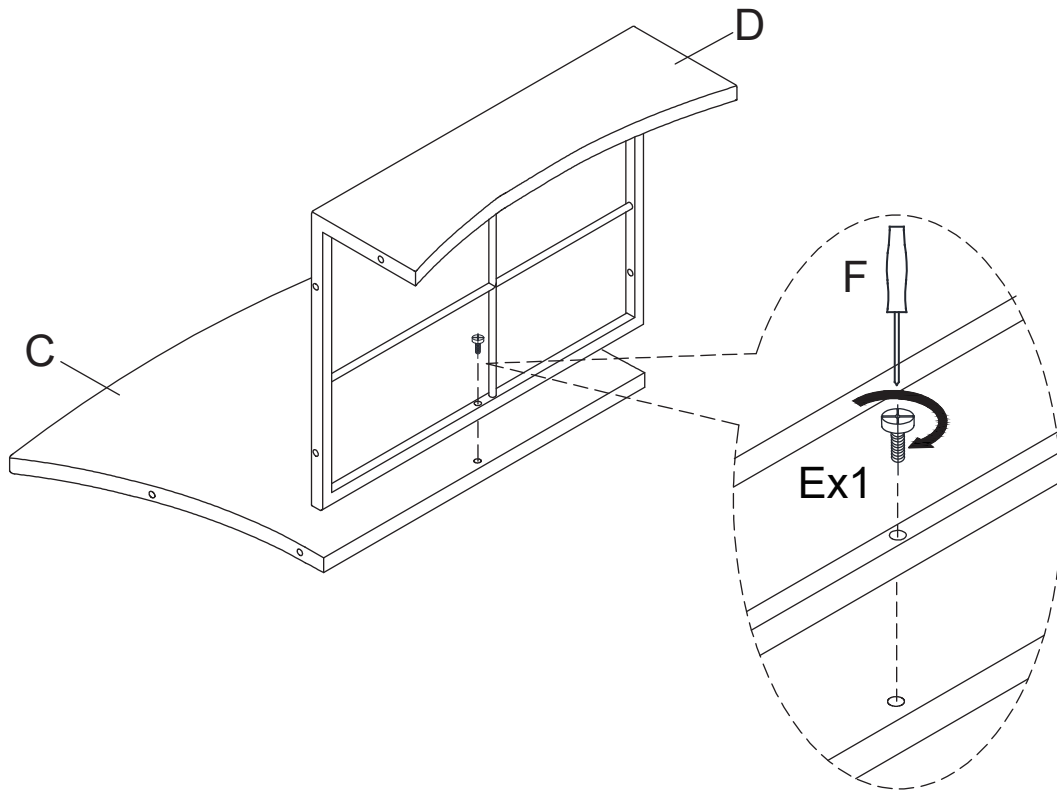
# Step 5



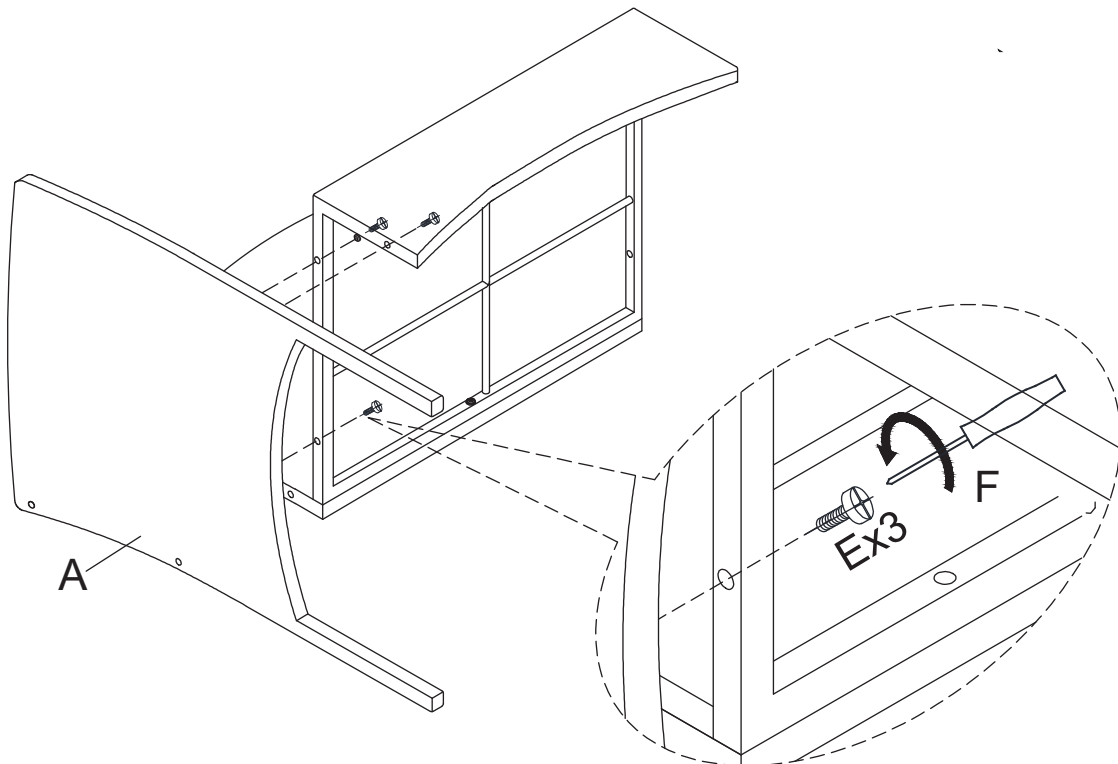
# Step 6



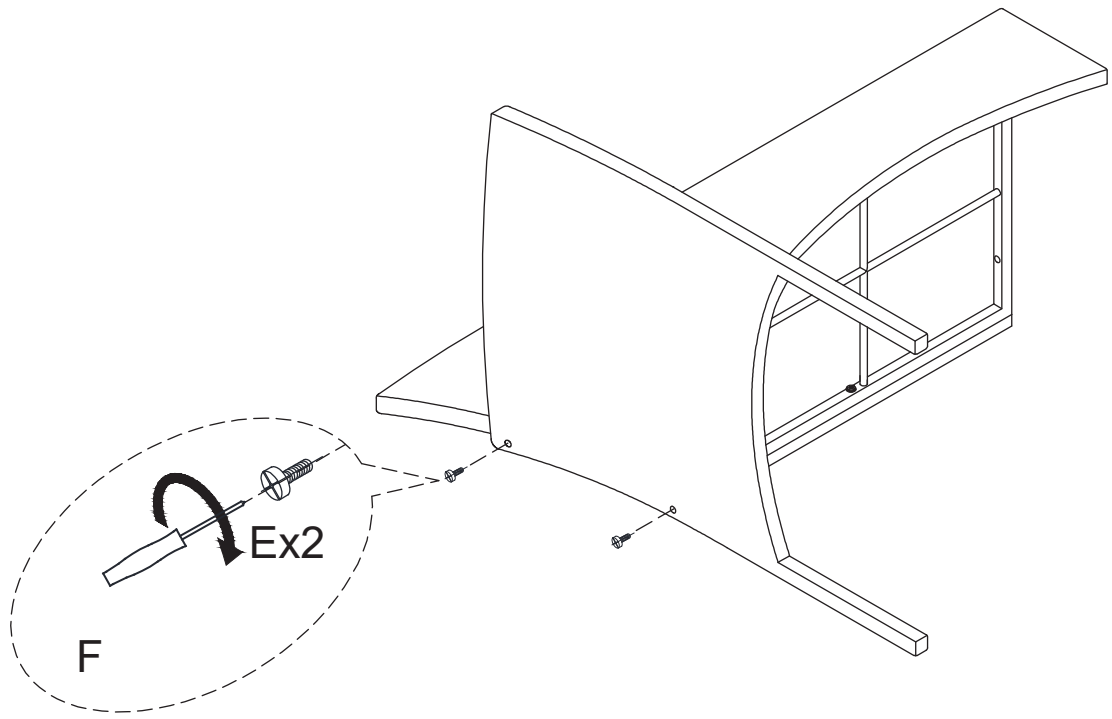
# Step 7



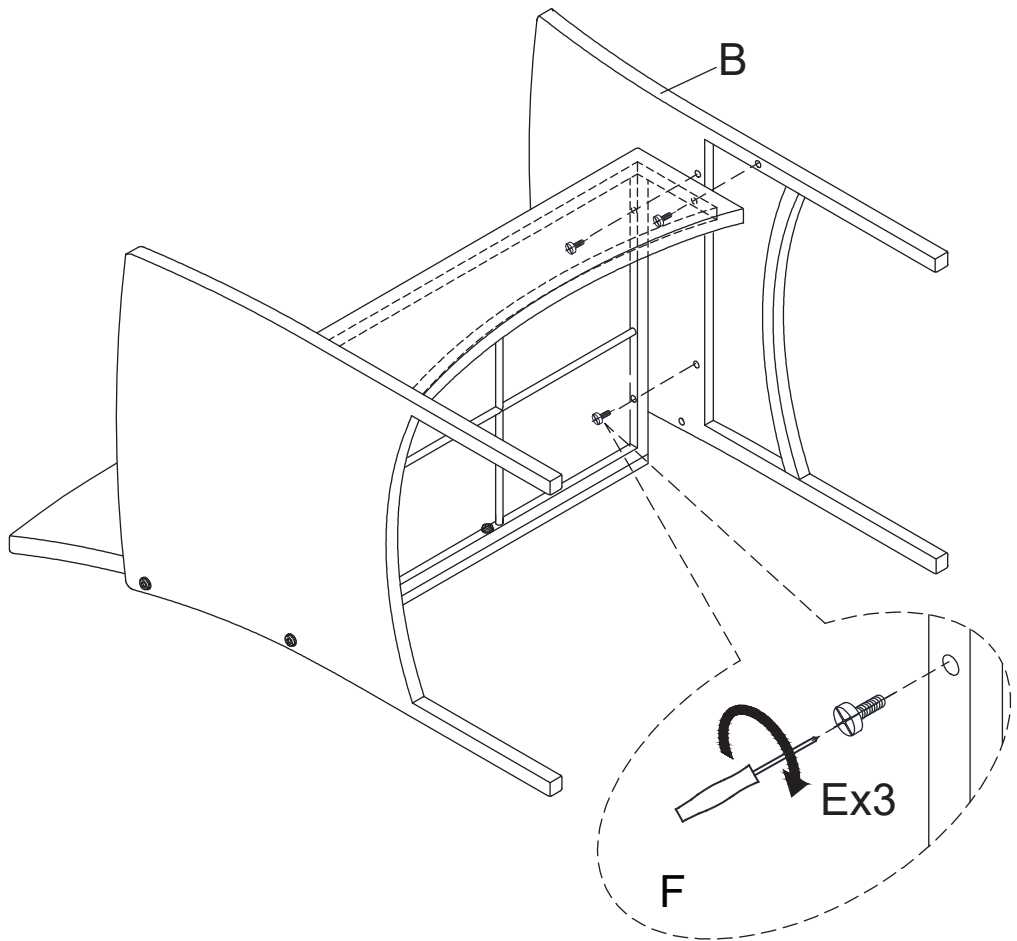
# Step 8



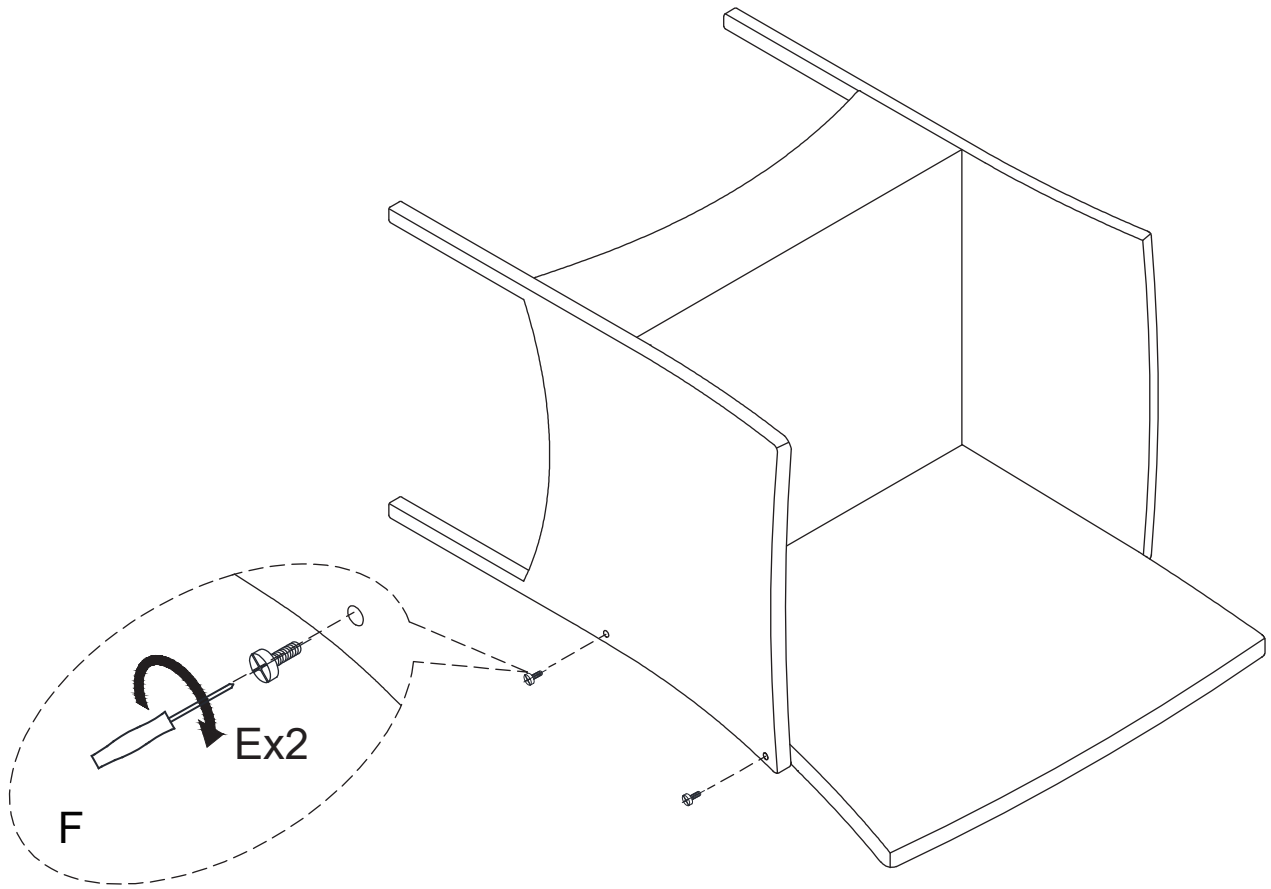
# Step 7



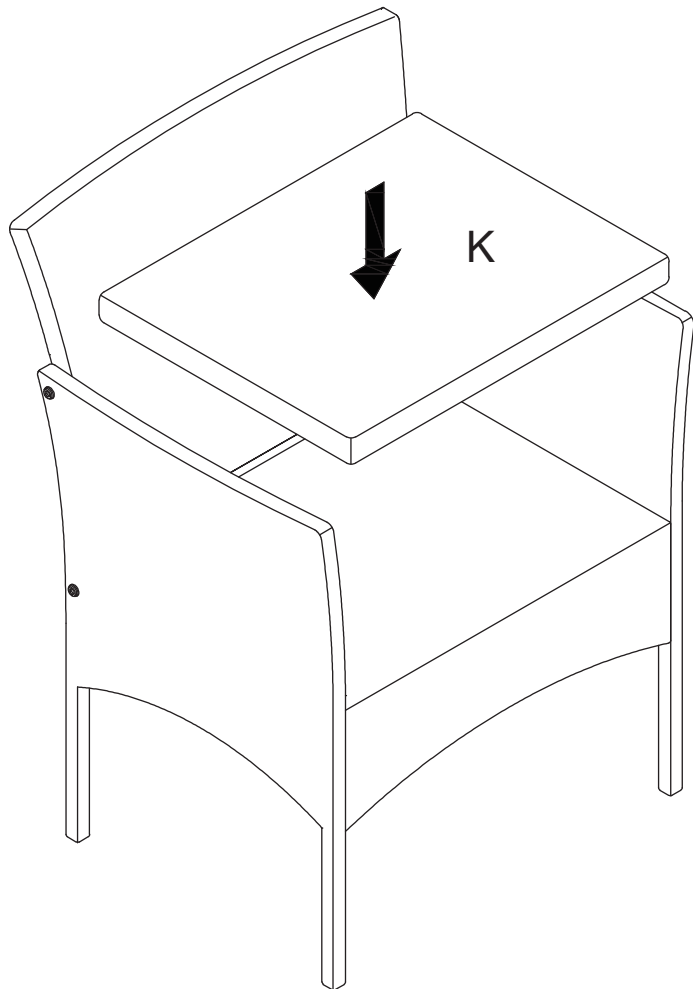
# Step 8



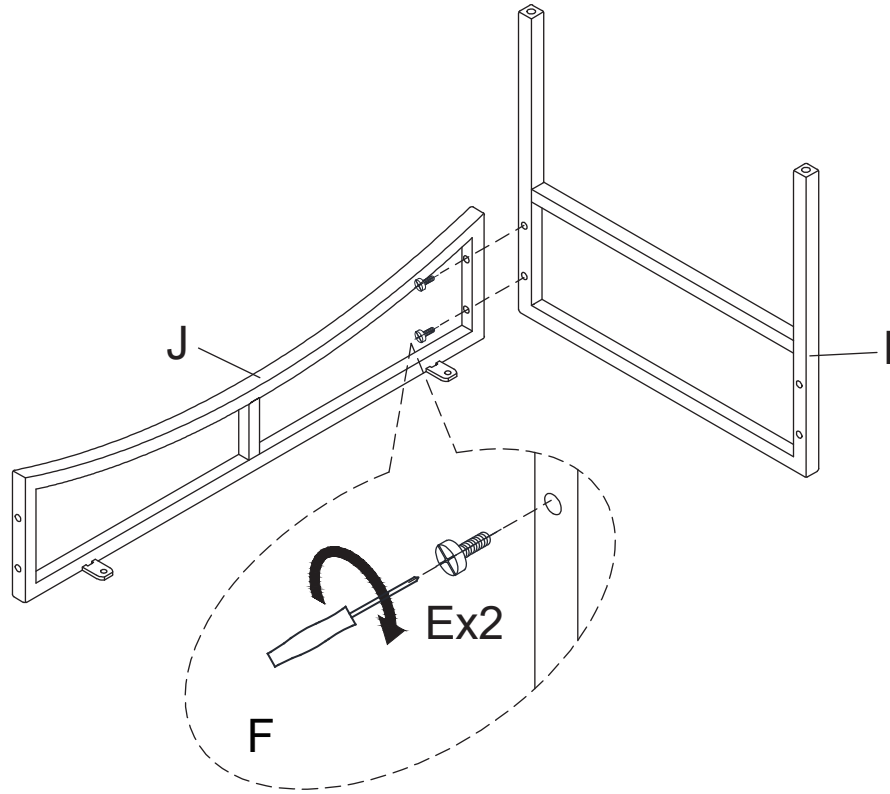
# Step 7



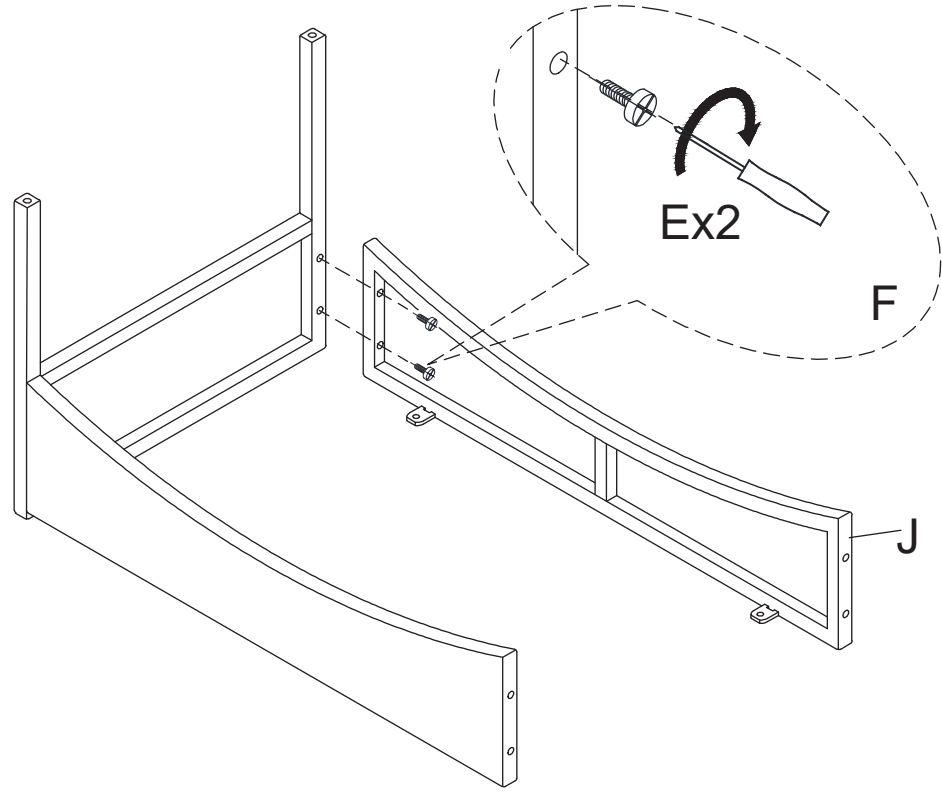
# Step 8



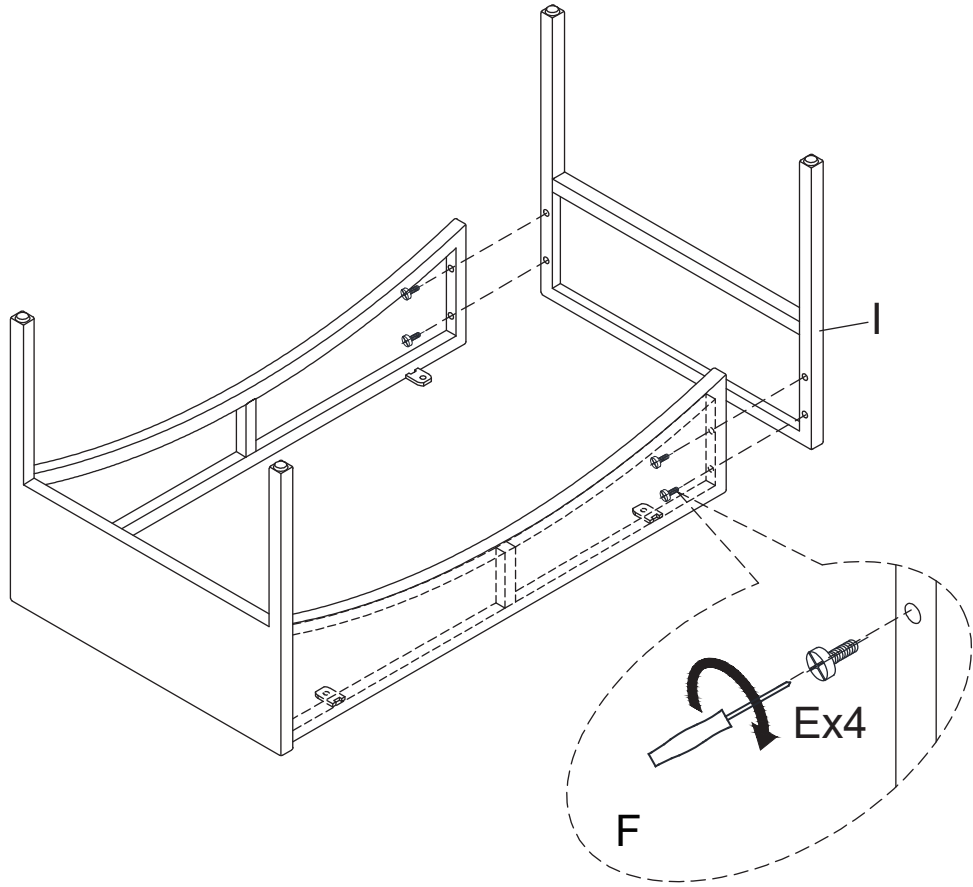
# Step 7



# Step 8



# Step 7



# Step 8

