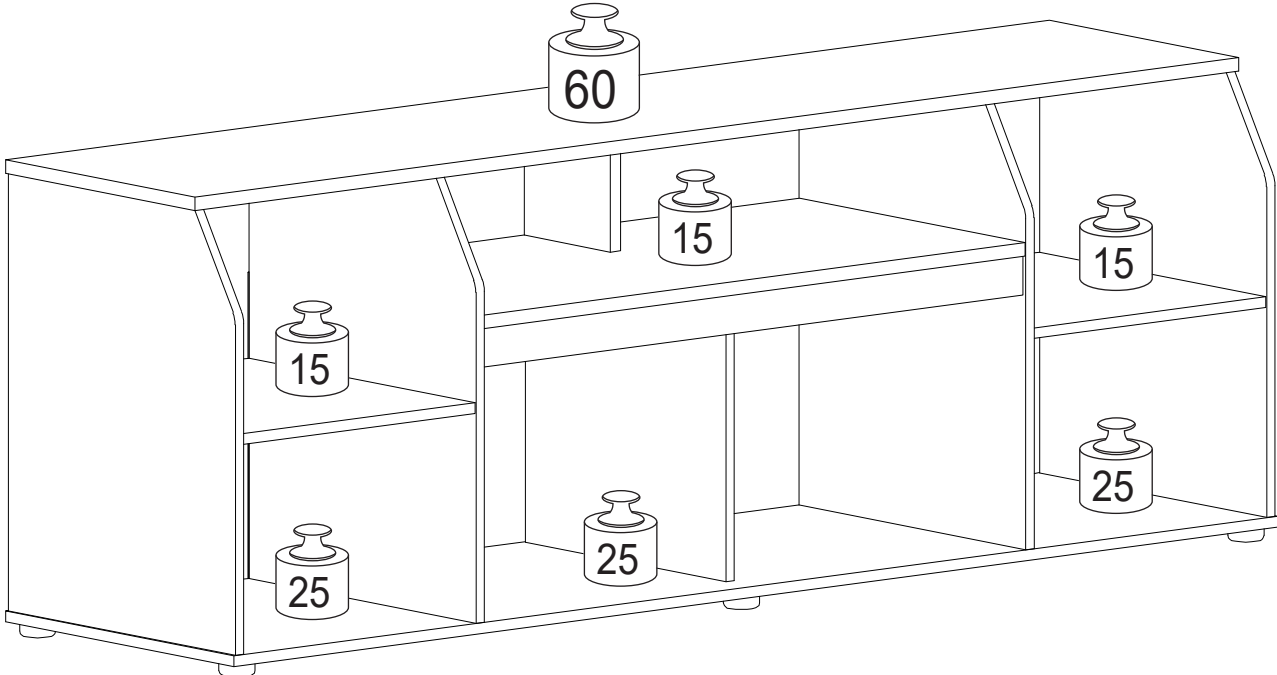


# Recommended Maximum Weight



\*Unit in Pound(lbs.)

**WARNING:**

- >This unit has been designed to support the maximum loads shown. Exceeding these load limits could cause sagging, instability, product collapse, and/or serious injury.
- >DO NOT allow children to climb on unit.
- > Put heavier items on lower shelves.

00:60

Approx. 60 minutes



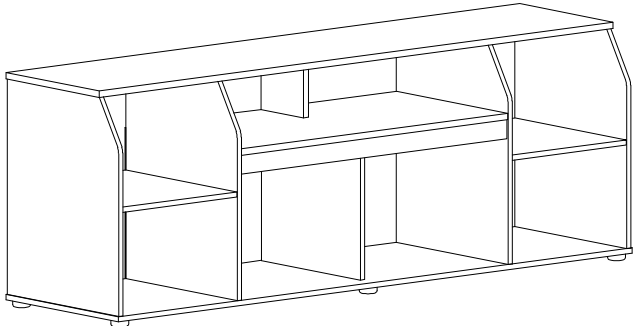
Recomm. 2 Person











Tools Required

## Assembly Instruction

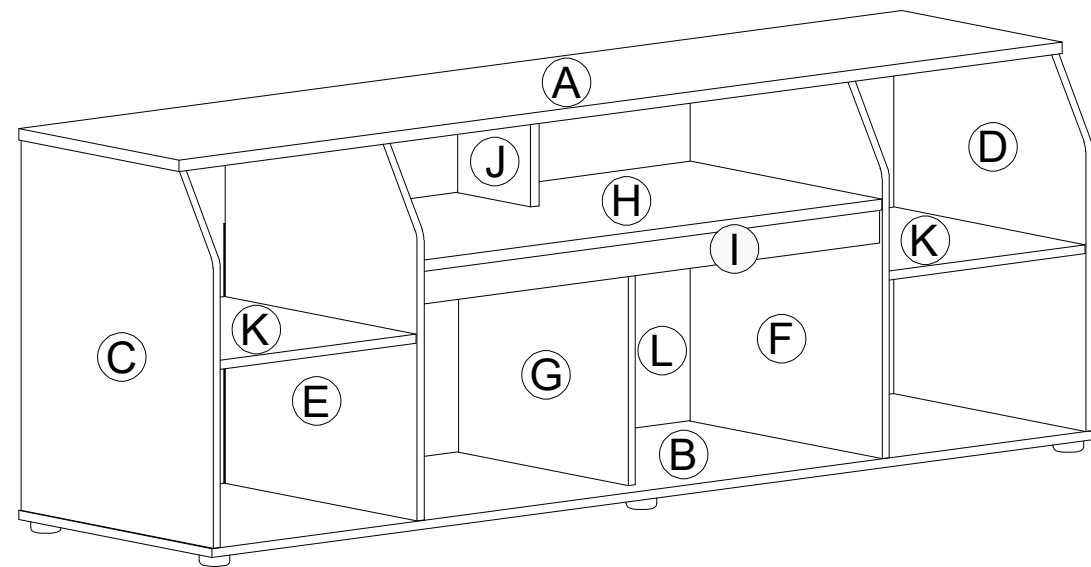
LED Console Table



# HARDWARE & PARTS LIST

NO	HARDWARE LIST	QTY
1	MINIFIX 1a  1b 	10sets
2	DOWEL 	24pcs
3	POZIHEAD SCREW 	14pcs
4	POWER PIN 	24pcs
5	L BRACKET 	3pcs
6	PWA SCREW 	6pcs
7	SHELF SUPPORT 	8pcs
8	PVC PLUG LEG 	8pcs
9	LED LIGHT  x 3pcs  x 6pcs 	1set

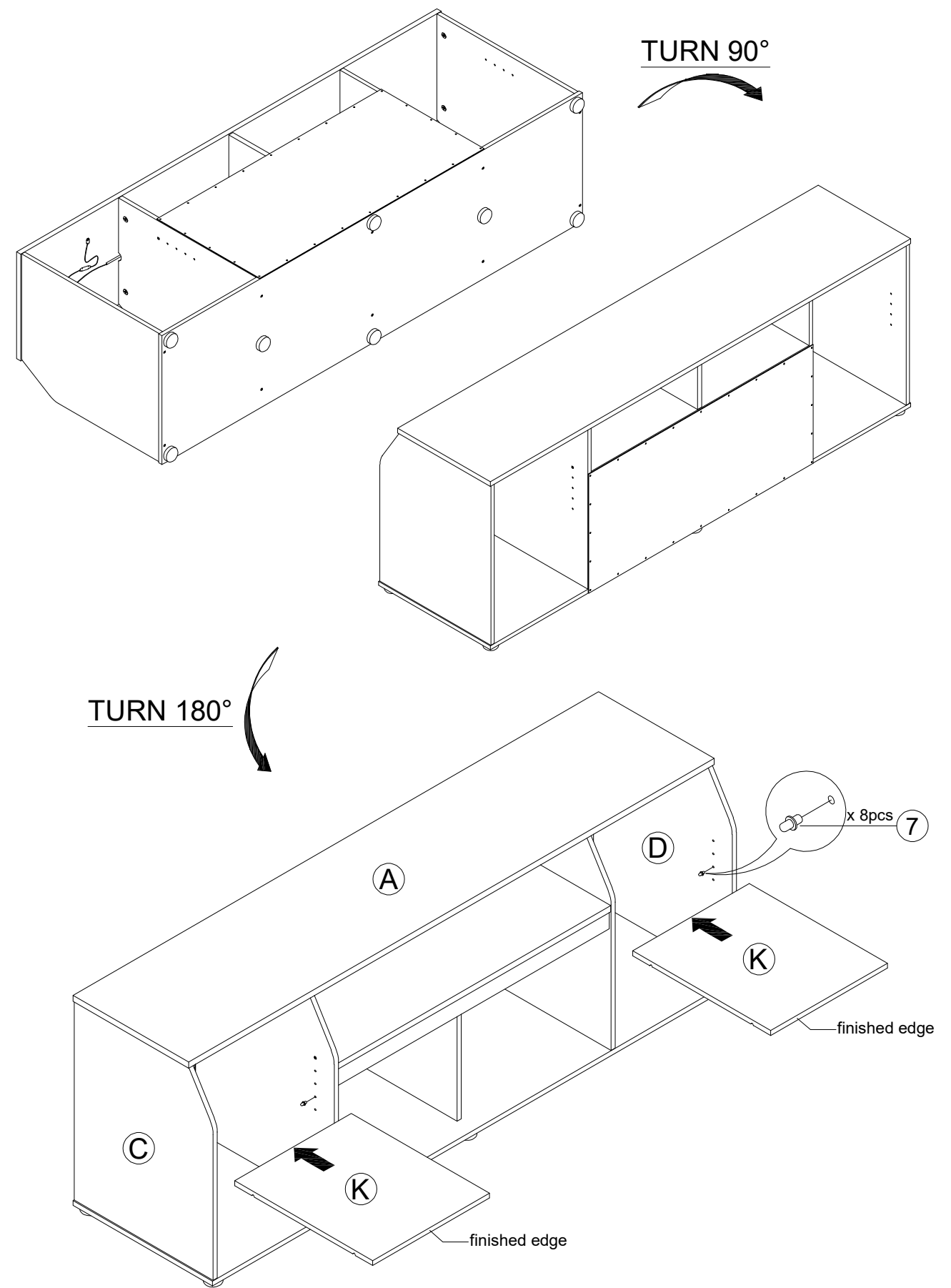
NO	PARTS LIST	QTY
A	TOP	1pc
B	BOTTOM	1pc
C	L SIDE PANEL	1pc
D	R SIDE PANEL	1pc
E	L PARTITION PANEL	1pc
F	R PARTITION PANEL	1pc
G	CENTER PARTITION	1pc
H	CENTER SHELF	1pc
I	RAIL	1pc
J	SUPPORT PANEL	1pc
K	SHELF PANEL	2pcs
L	BACK PANEL	1pc



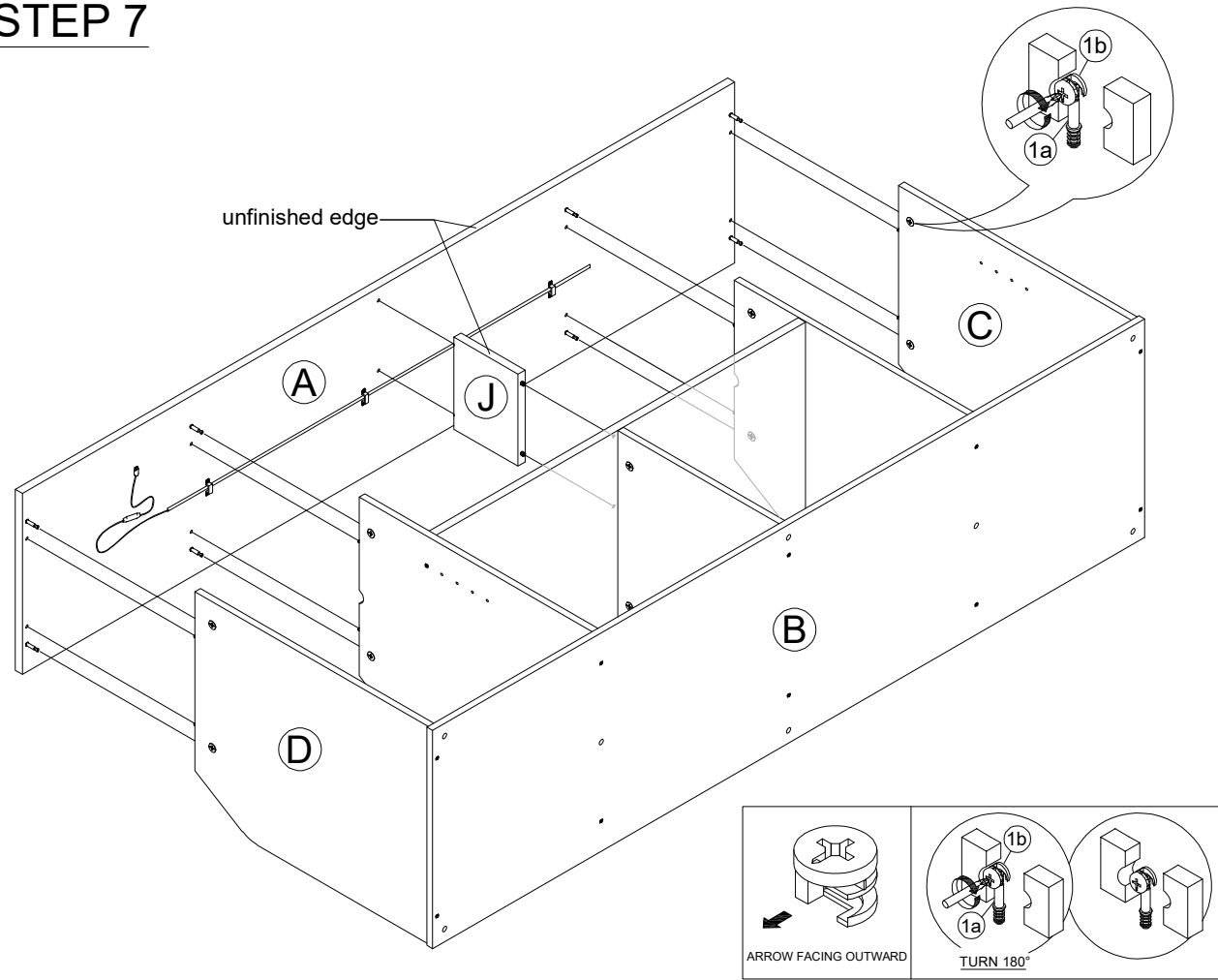
## USEFUL HINTS BEFORE YOU START:

1. Read each step carefully before starting.
2. It is important that each step is performed in correct order to avoid difficulties.
3. Identify, sort and count the parts before assembly.
4. Assemble your furniture on packaging cardboard to prevent scratch or damage.
5. Clean the product with mild cleanser using soft dampened cloth. Do not use harsh or abrasive cleanser.
6. Using incompatible hardware might cause damage to product.

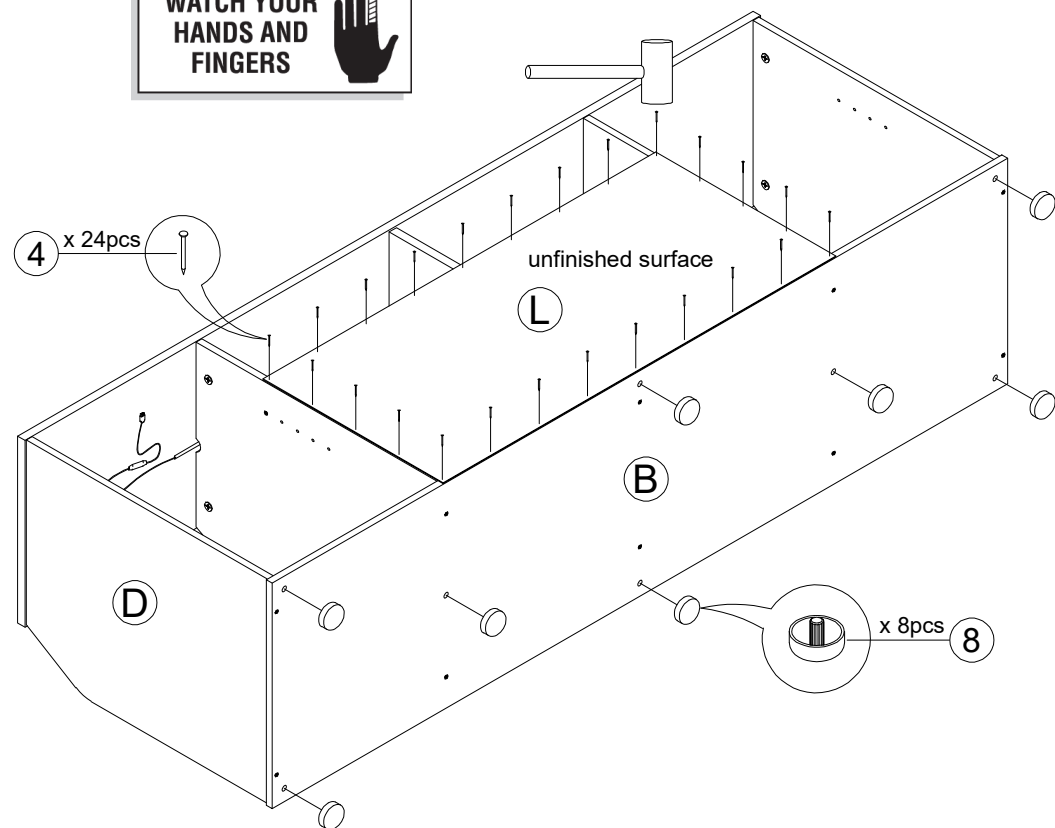
## STEP 9



## STEP 7



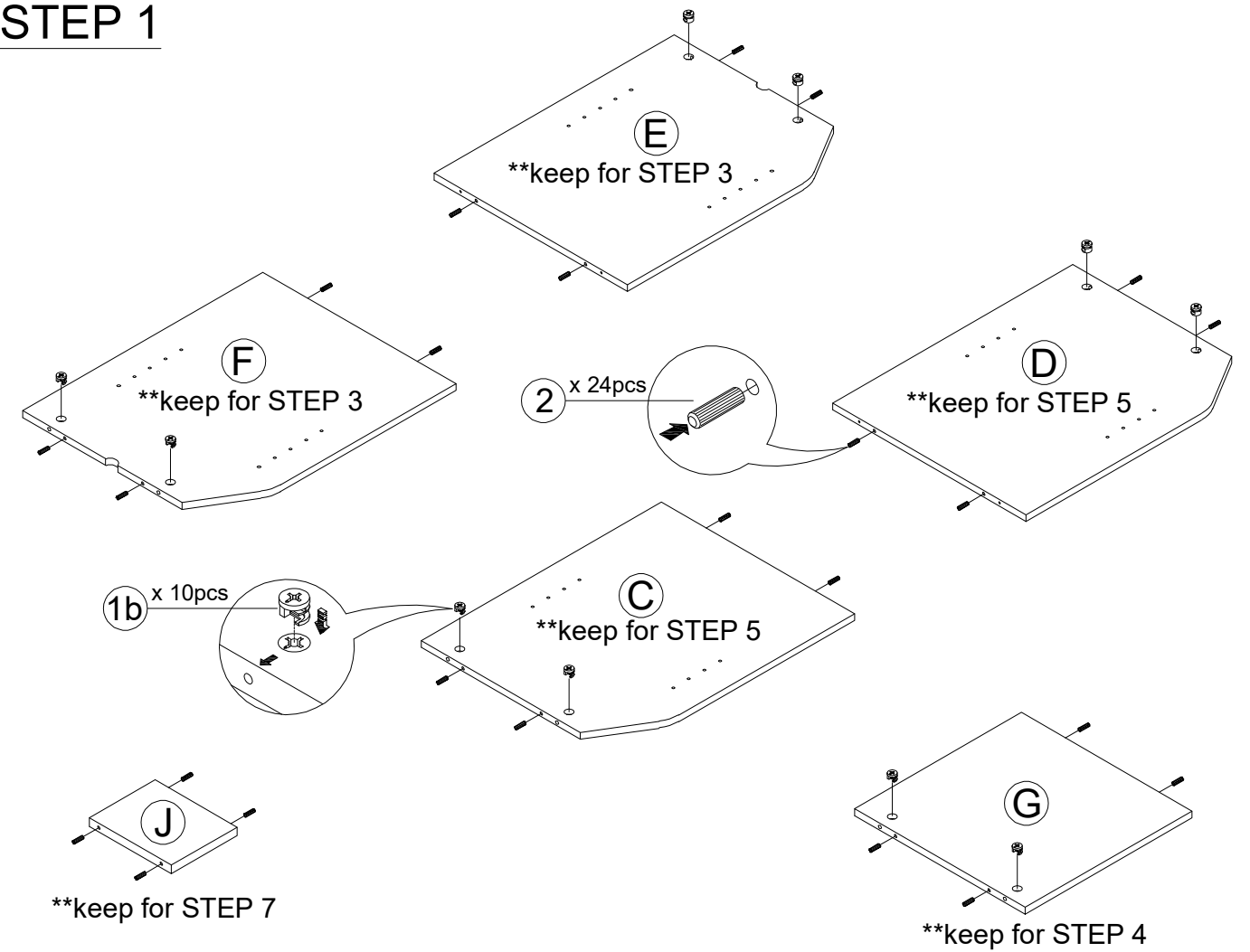
## STEP 8



# ASSEMBLY INSTRUCTIONS

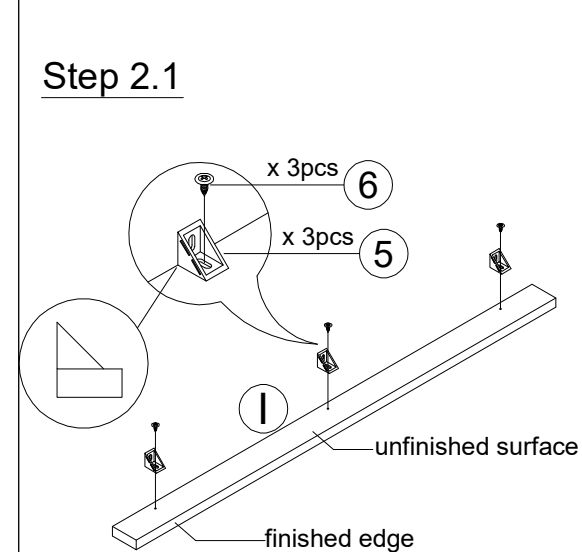
BEFORE YOU BEGIN, PLEASE READ ASSEMBLY INSTRUCTIONS CAREFULLY, FOLLOW THEM STEP BY STEP.

## STEP 1

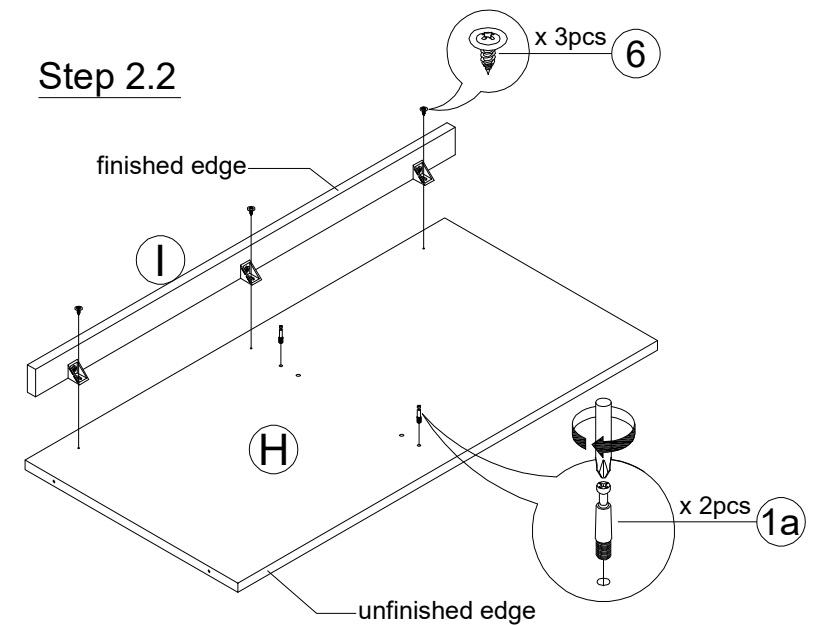


## STEP 2

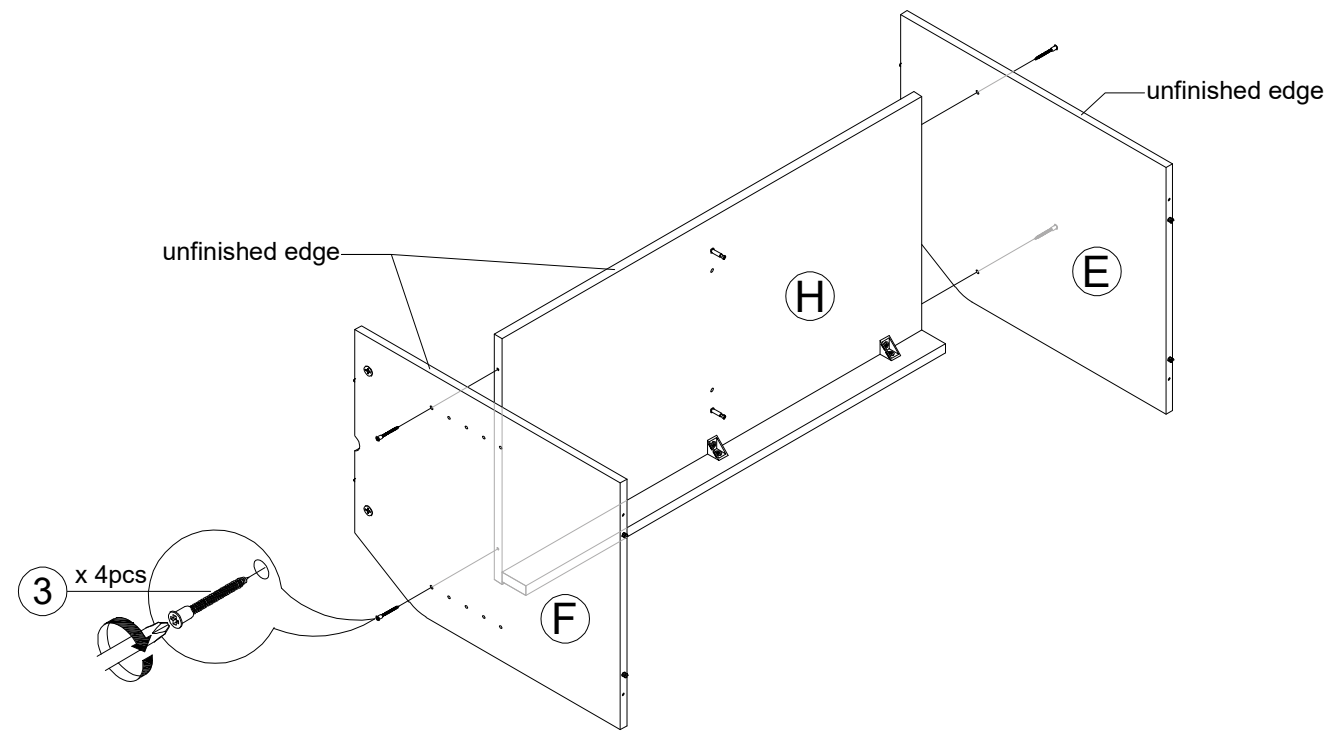
### Step 2.1



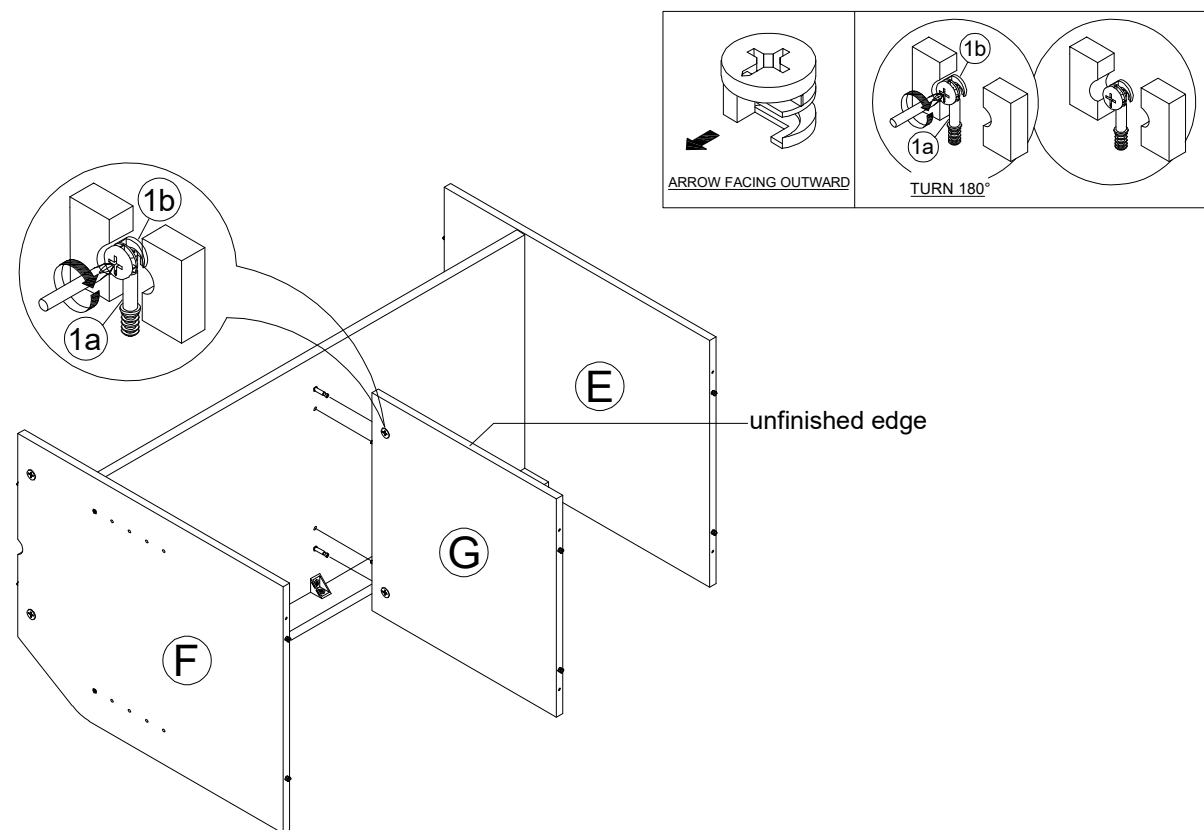
### Step 2.2



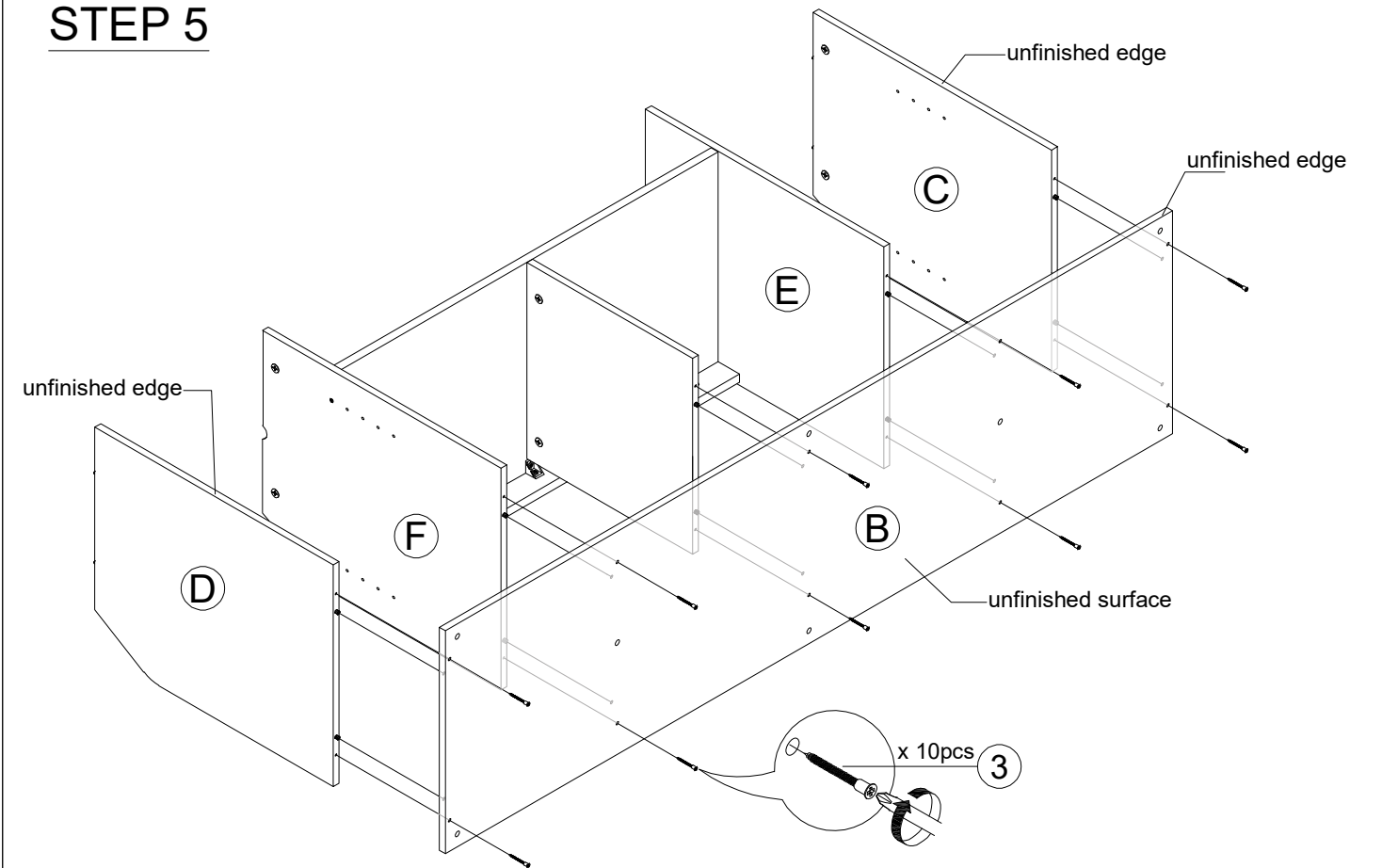
### STEP 3



### STEP 4



### STEP 5



### STEP 6

