

ASSEMBLY INSTRUCTIONS

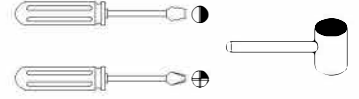
ANA ENTRY CABINET

ASSEMBLY
REQUIREMENTS

2 – Person
Assembly

2.5Hour
Assembly Time
(Approximate)

Tool Required
(Not Provided)



Thank you for purchasing our product!

Please refer and use this assembly instruction to assemble the product.
Contact our customer service department in case there are any missing or damage parts or hardware.
Replacement parts are normally shipped within 2 or 3days.

We appreciate your business!

ASSEMBLY PREPARATION:

1. Remove all packaging materials ,staples and packing straps from the carton.
2. Refer to Part List and Hardware List and ensure parts and hardware are correct before assembly.
Contact customer service for missing parts.
3. Place all wooden parts on clean, flat and soft surface (e.g .carpet or rug) to prevent scratch and damage to parts.

SAFETY PRECAUTION:

1. Keep ALL HARDWARE PART OUT OF REACH OF CHILDREN.
2. DISPOSE PLASTIC PACKAGING MATERIAL IMMEDIATELY TO AVOID ANY RISK OF SUFFOCATION TO CHILDREN AND ANIMALS

TIPS FOR ASSEMBLY:

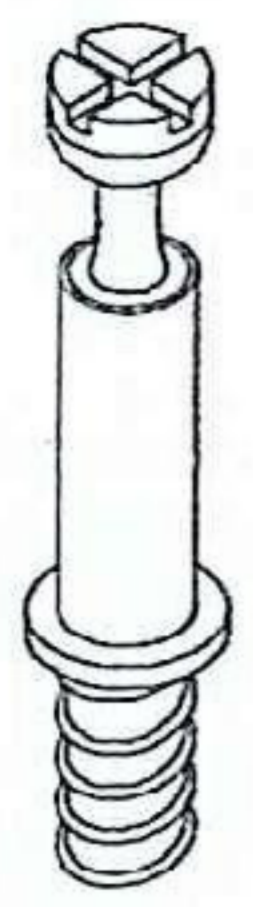
1. Allow ample room for assembly and in close proximity to where product will be placed.
2. Assemble the product on a surface that does not scratch or damage the exterior gloss and finish of the furniture.
3. Identify all the parts, hardware and quantities required for each step.
4. During assembly, do not over-tighten any fittings as this may cause damage.
5. DO NOT USE POWER TOOLS TO ASSEMBLE THIS PRODUCT.
6. Always place the product on a flat, level surface.
7. Do not sit or stand on the partially assembled product ;only use the product for which it is intended.

CARE AND MAINTENANCE:

- Use a slightly damp cloth to clean the product. Do not use bleach or abrasive cleaning material.
- Check all the fittings periodically and re-tighten as necessary. Do not use the product if any of the parts is damaged or broken.
- Never allow any kind of liquids to remain on your furniture. Absorption can cause wood to warp or delaminate.
- Do not place hot items (e.g hot drinks)directly onto the wood surface.
- Do not drag and pull your furniture.

This product is for indoor and household use only -not for commercial or industrial use.

INSTRUCTION FOR CAM-BOLT & CAM-LOCK

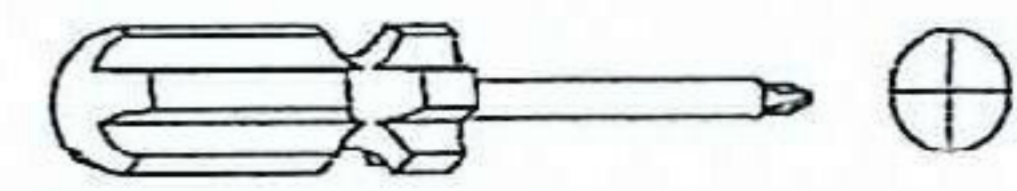
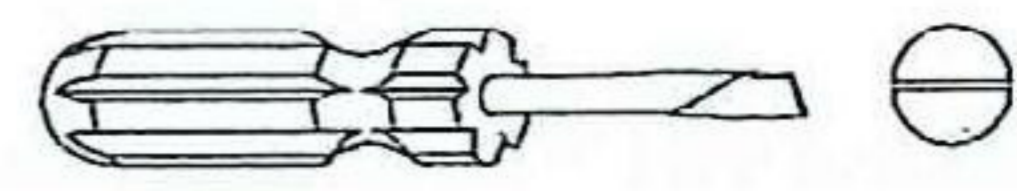


CAM-BOLT

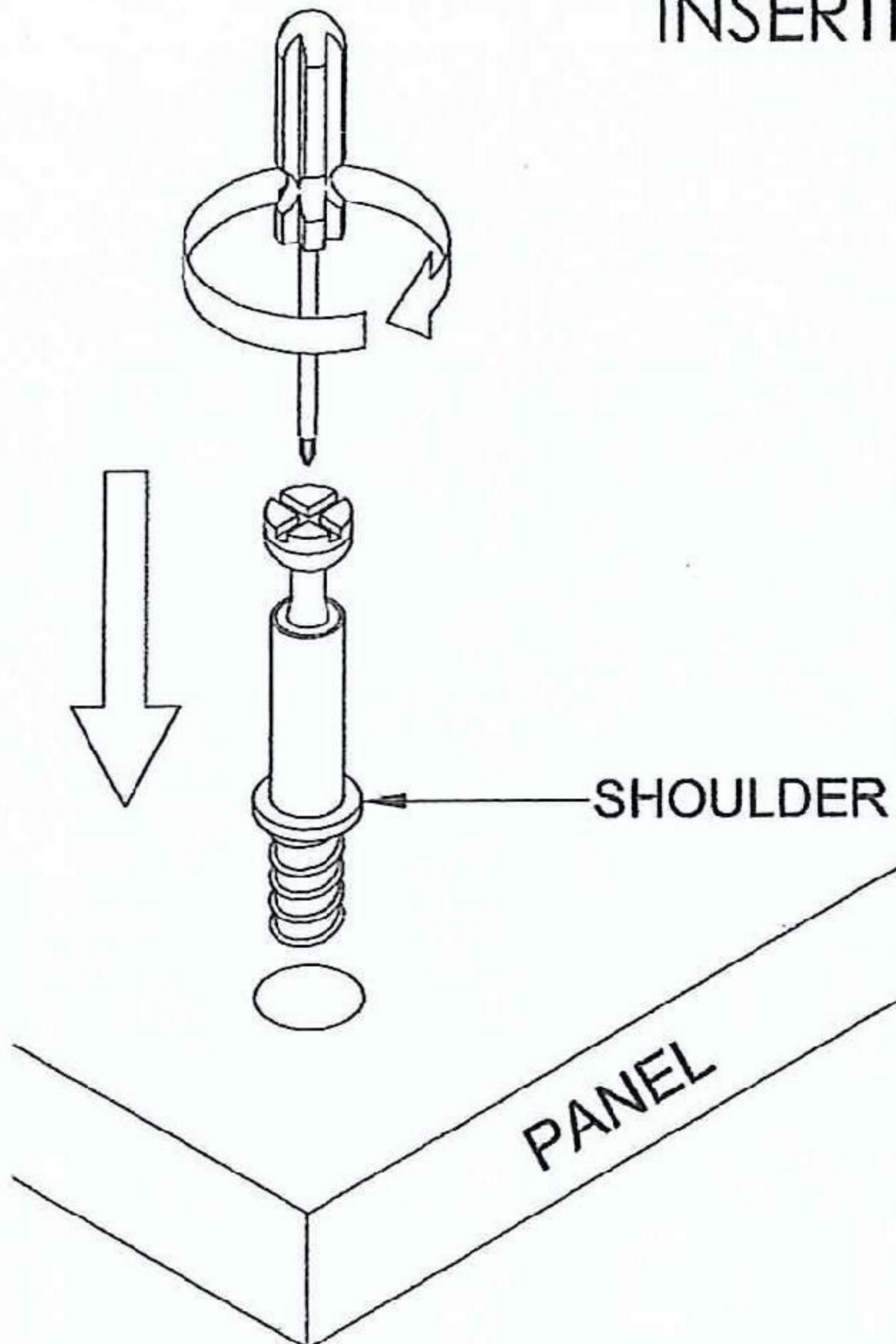


CAM-LOCK

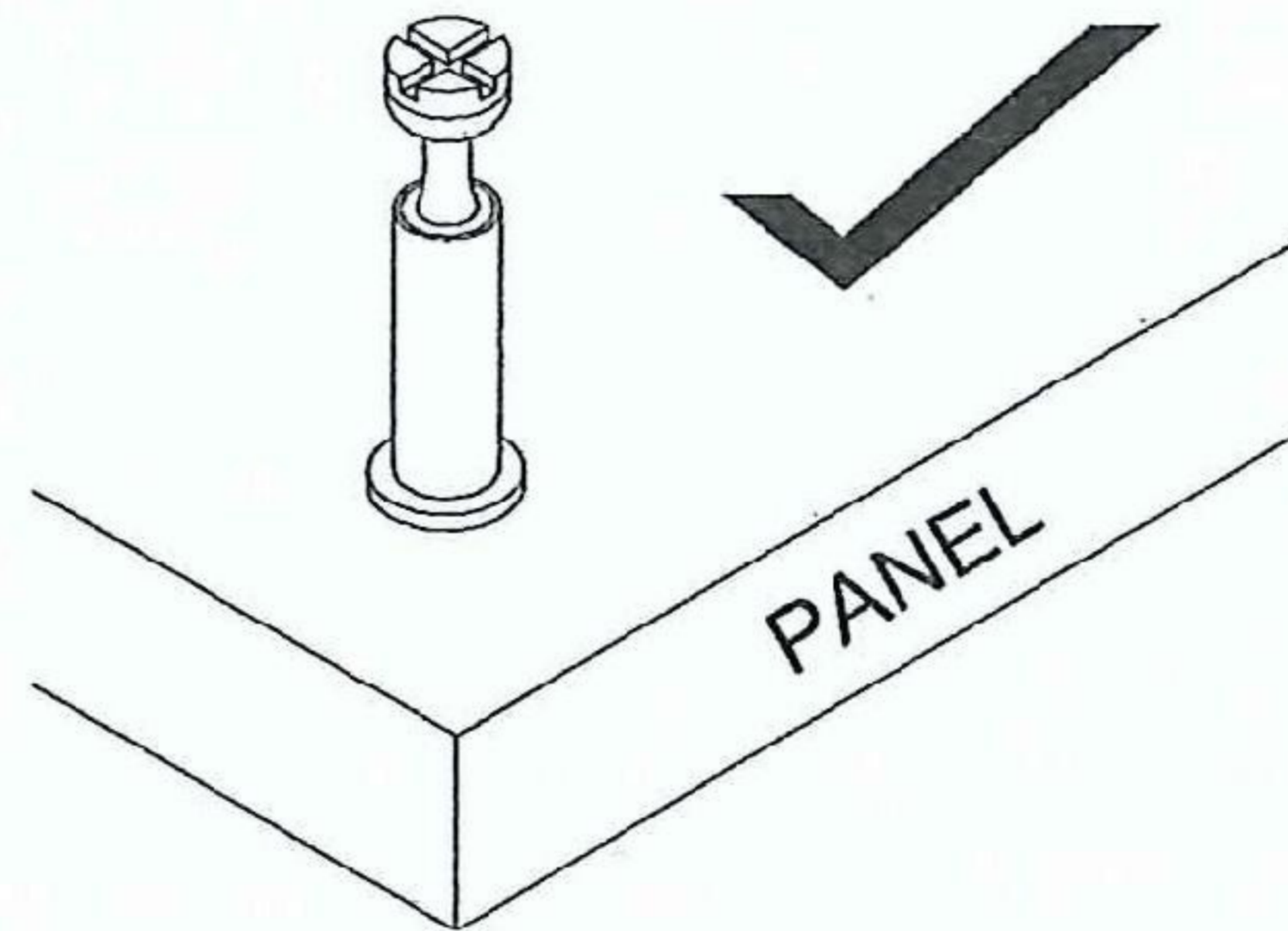
Tools Required



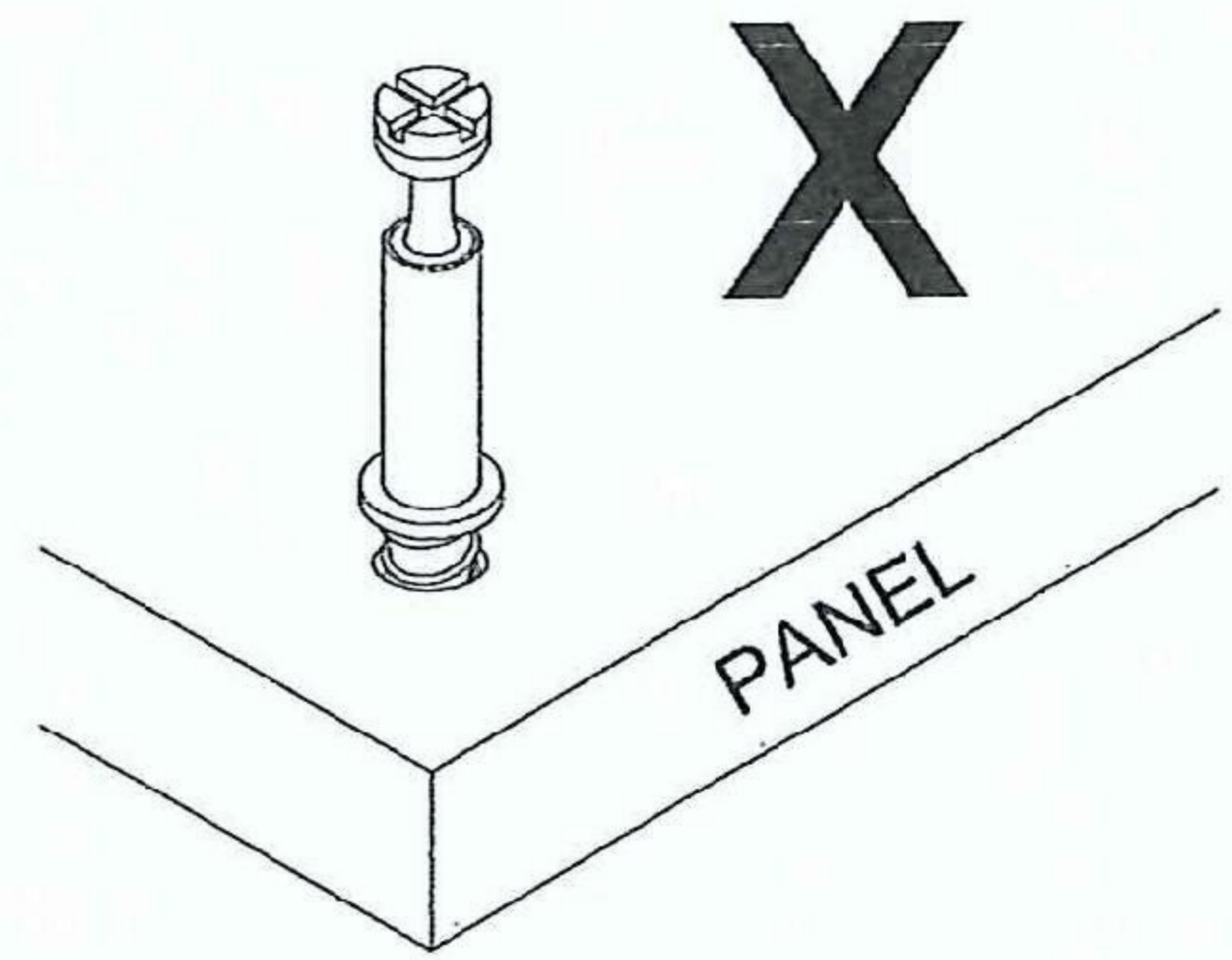
INSERTING AND TIGHTENING CAM-BOLT



Place Cam-bolt on pre-drilled hole and screw in vertically



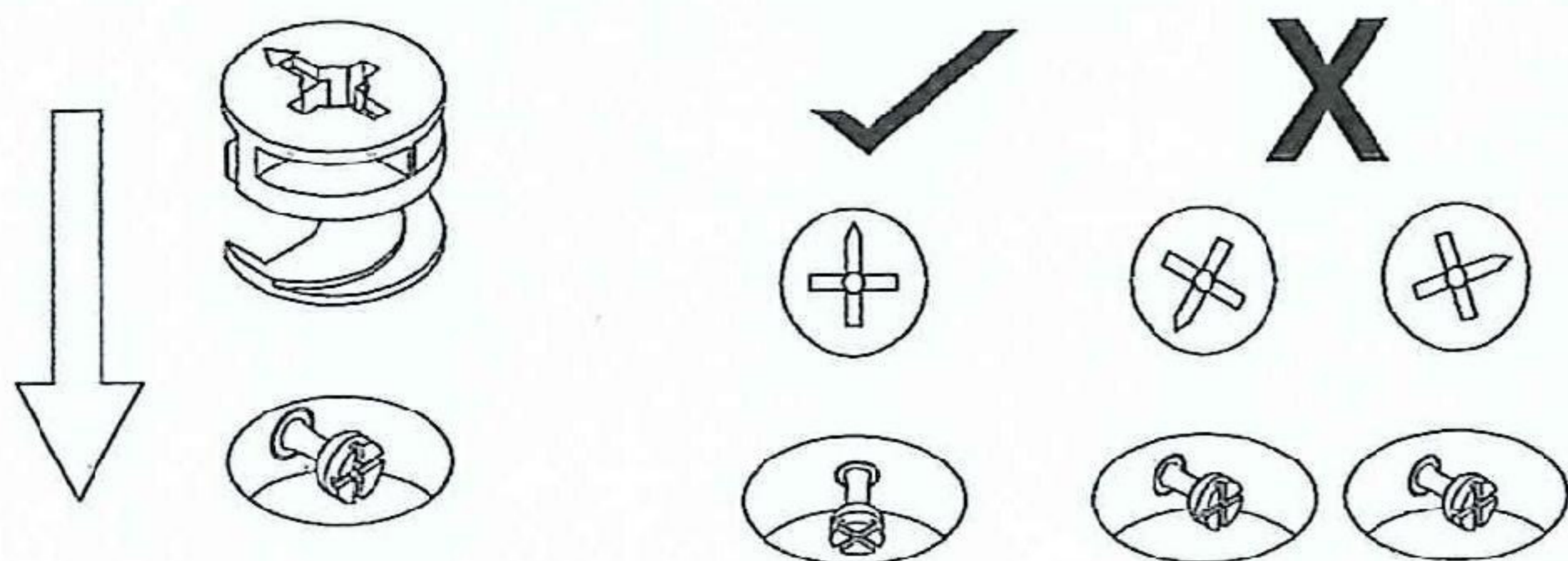
Shoulder is flushed (on the same level) with the panel.



Shoulder is above the panel.

Place Cam-bolt on the designated pre-drilled holes on the panel. Use a Phillips Screwdriver to screw-in Cam-bolt vertically until shoulder is flushed (on the same level) with panel.

INSERTING CAM-LOCK

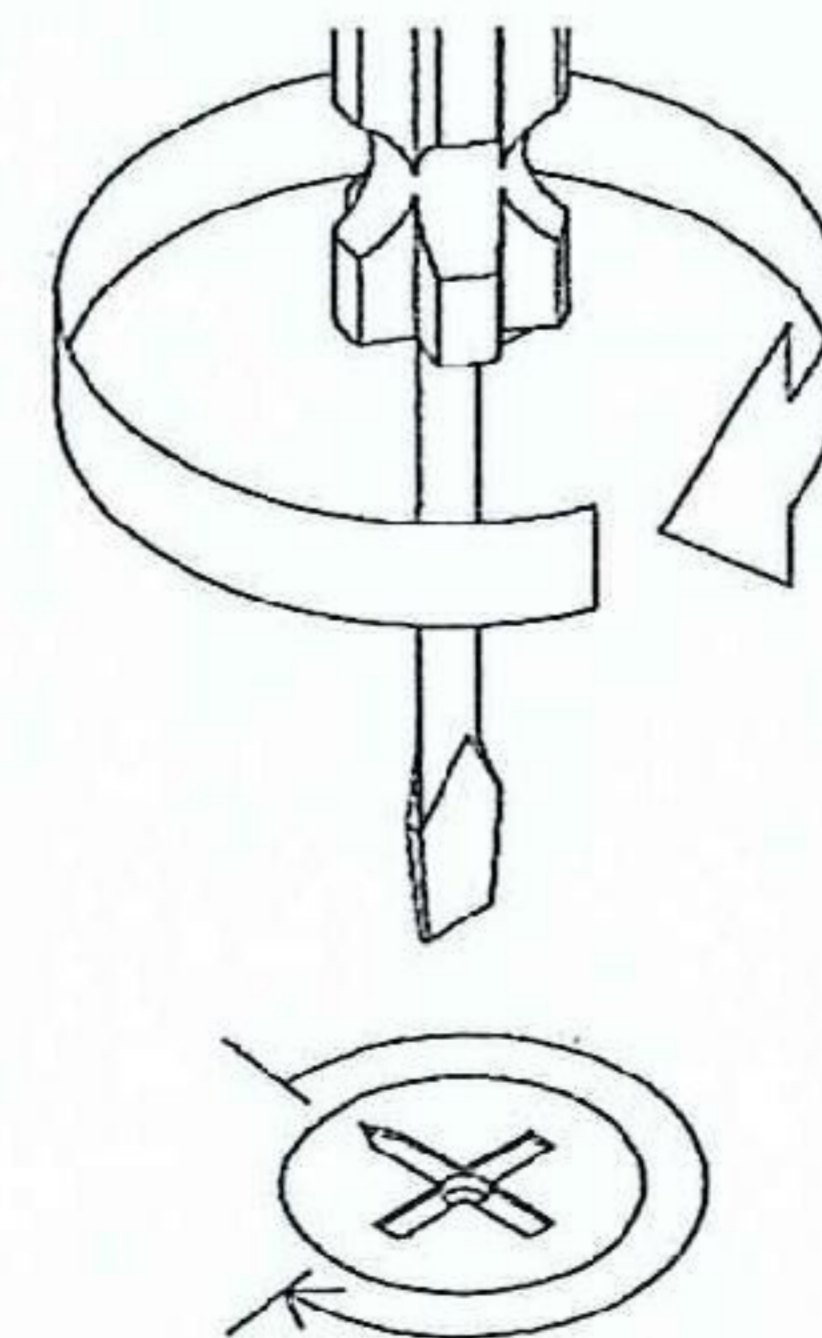


Insert Cam-lock with arrow align to Cam-bolt head

CORRECT

WRONG

TIGHTENING CAM-LOCK



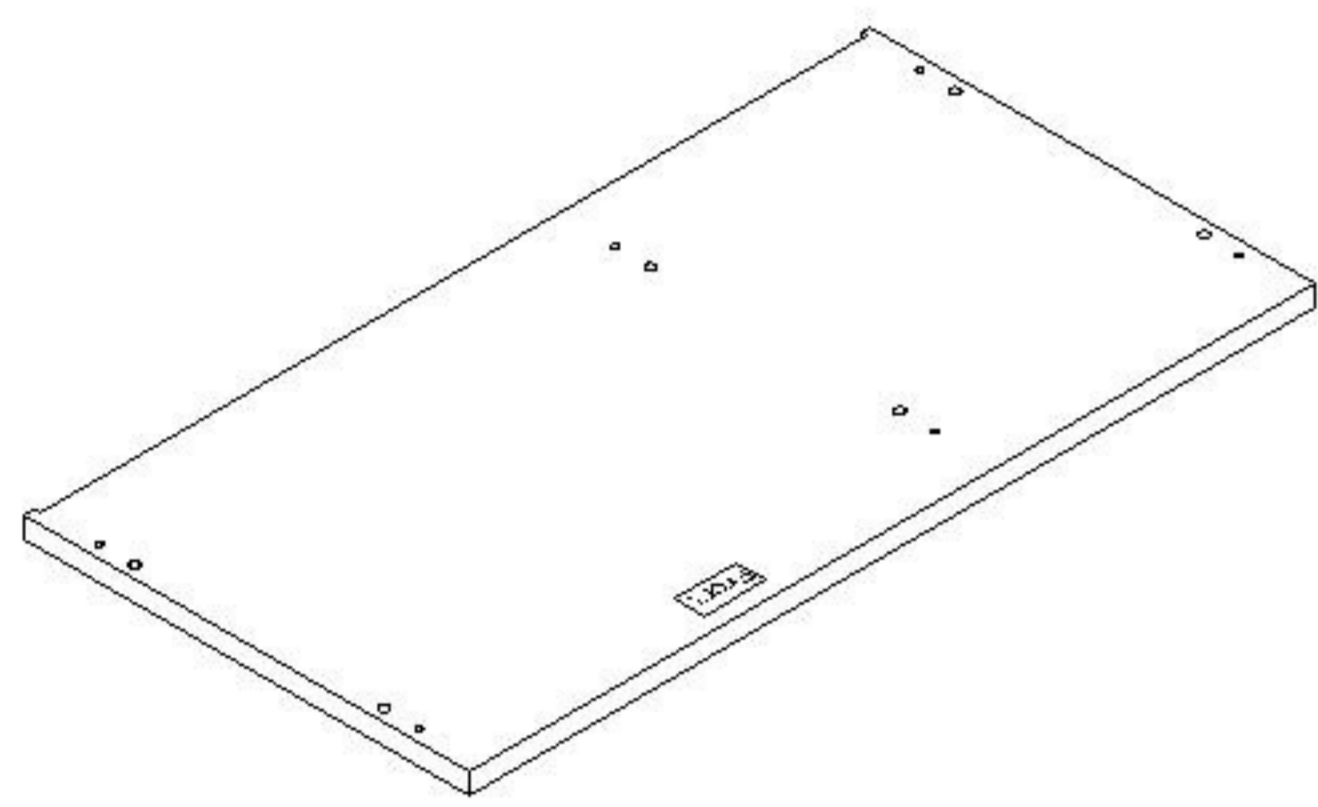
Use a Flat-head Screwdriver to turn Cam-lock clockwise so it locks onto the head of the Cam-bolt. Turn until it is snug (about 3/4ths of a turn) -- over-tightening could damage Cam-lock or/and Cam-bolt.

CAM-LOCK

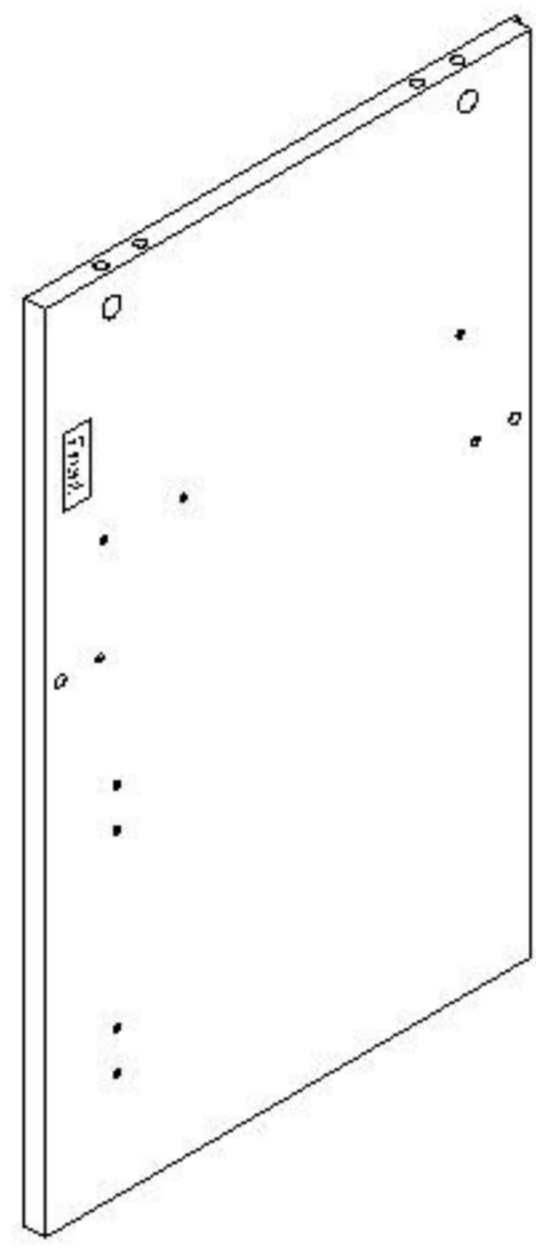
Align the arrow on the Cam-lock to the Cam-bolt head and insert the Cam-lock. Ensure Cam-lock is fully inserted.



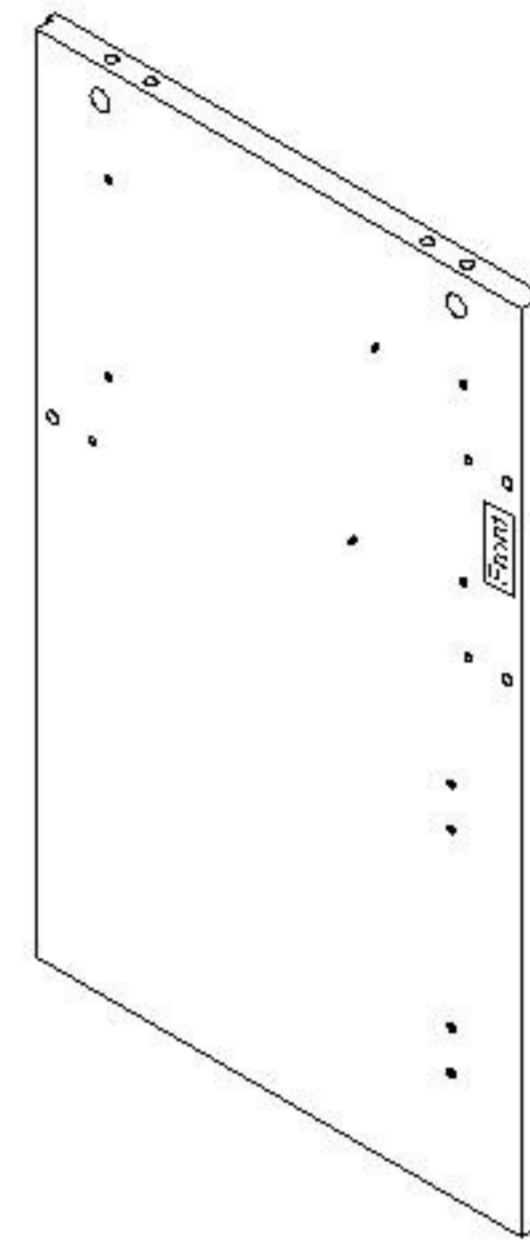
PARTS LIST



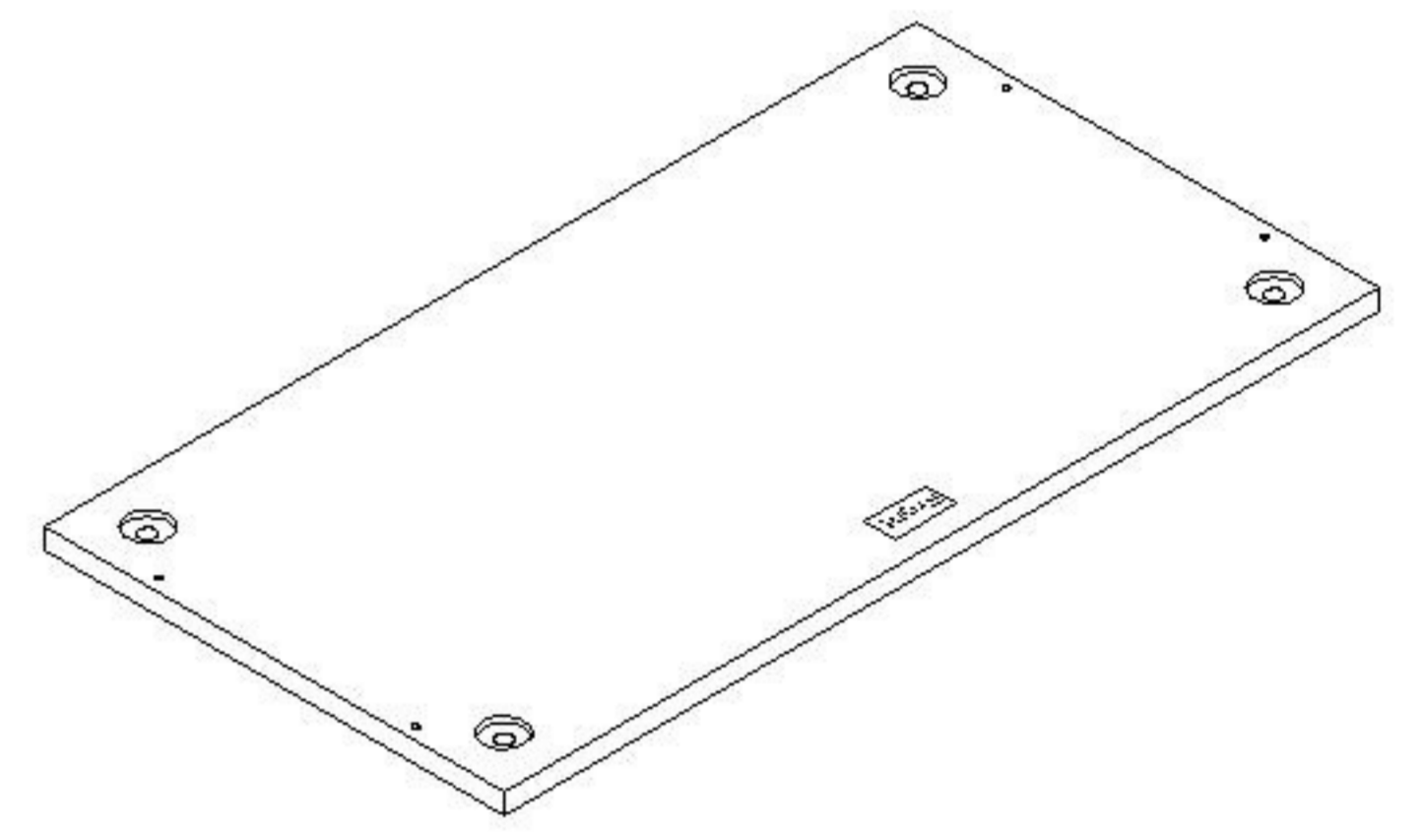
NAME: TOP PANEL
CODE: 1
QTY: 1Pc



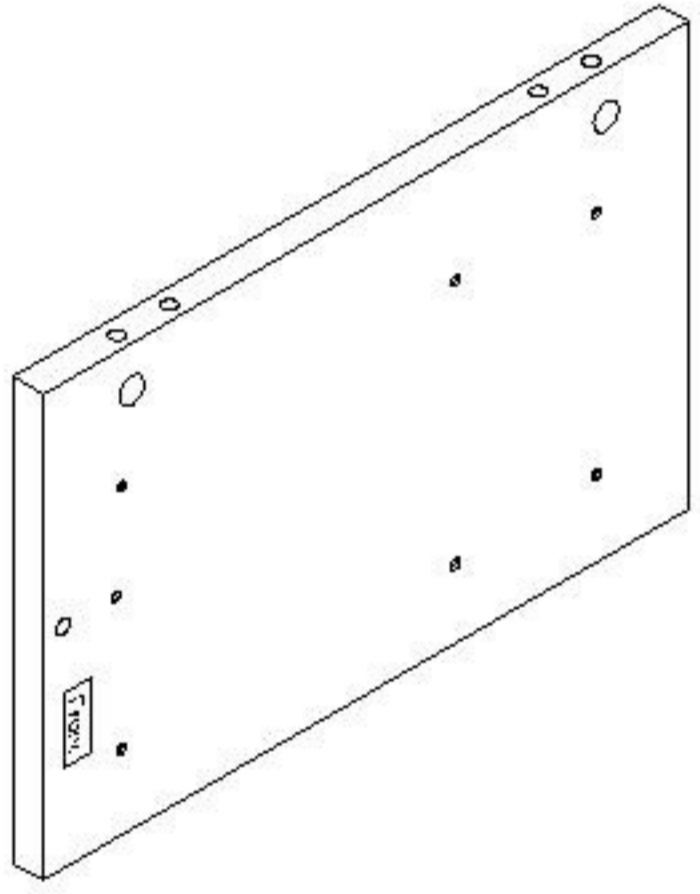
NAME: SIDE PANEL(LEFT)
CODE: 2
QTY: 1Pc



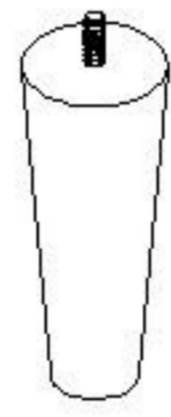
NAME: SIDE PANEL(RIGHT)
CODE: 3
QTY: 1Pc



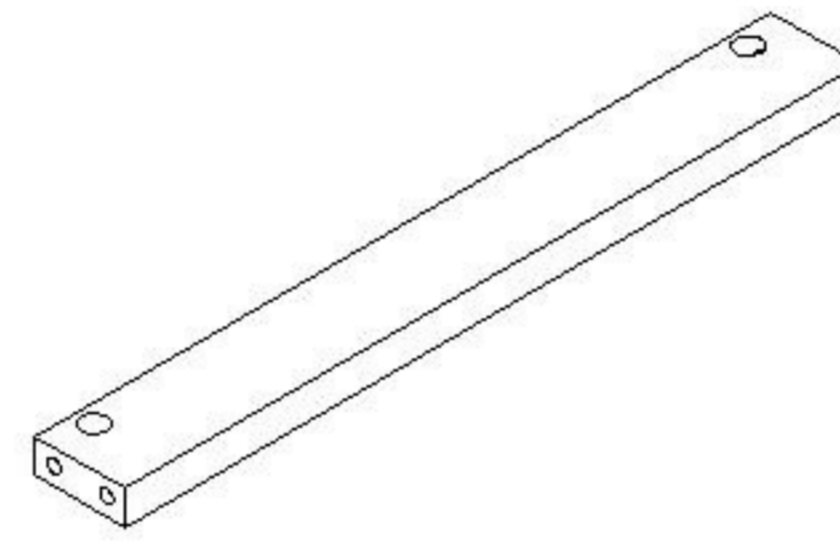
NAME: BOTTOM PANEL
CODE: 4
QTY: 1Pc



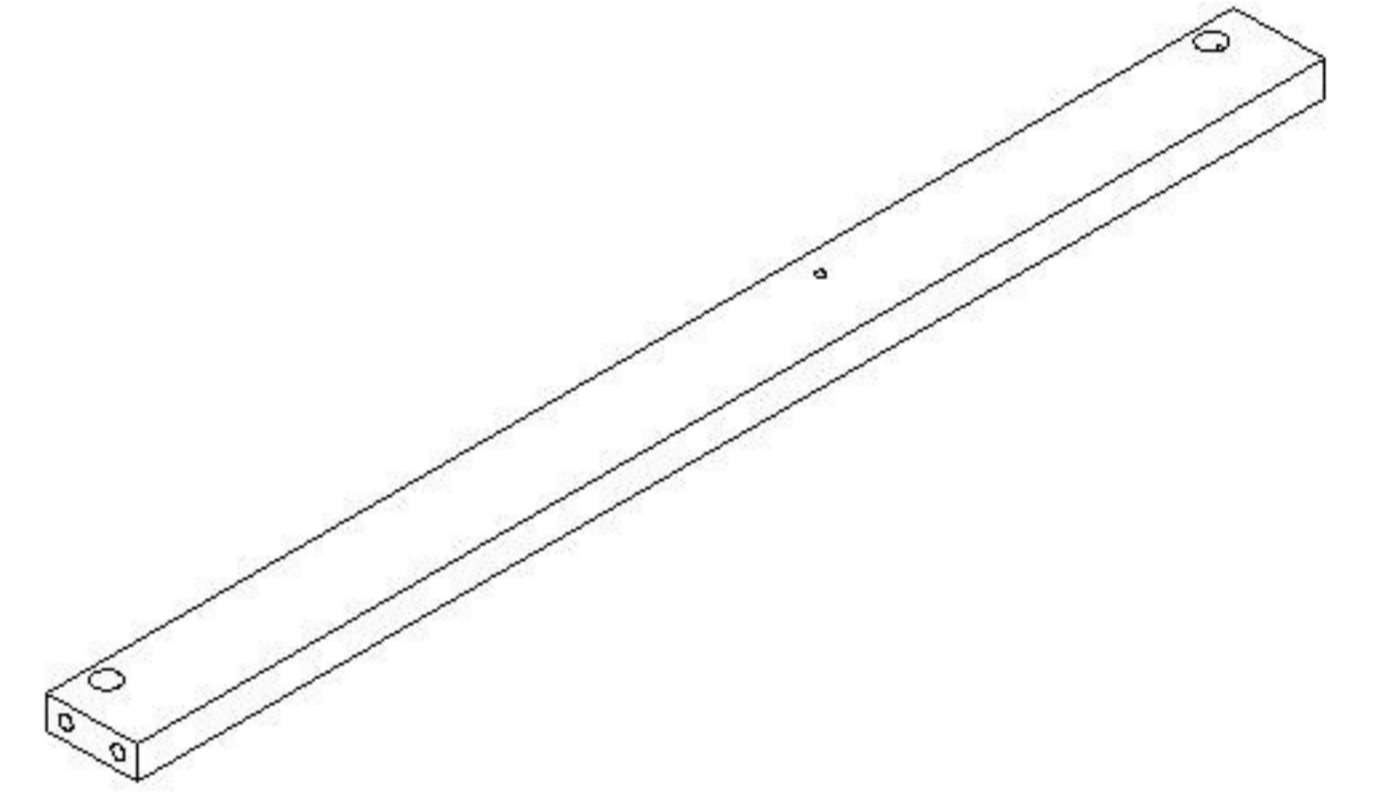
NAME: PARTITION
CODE: 5
QTY: 1Pc



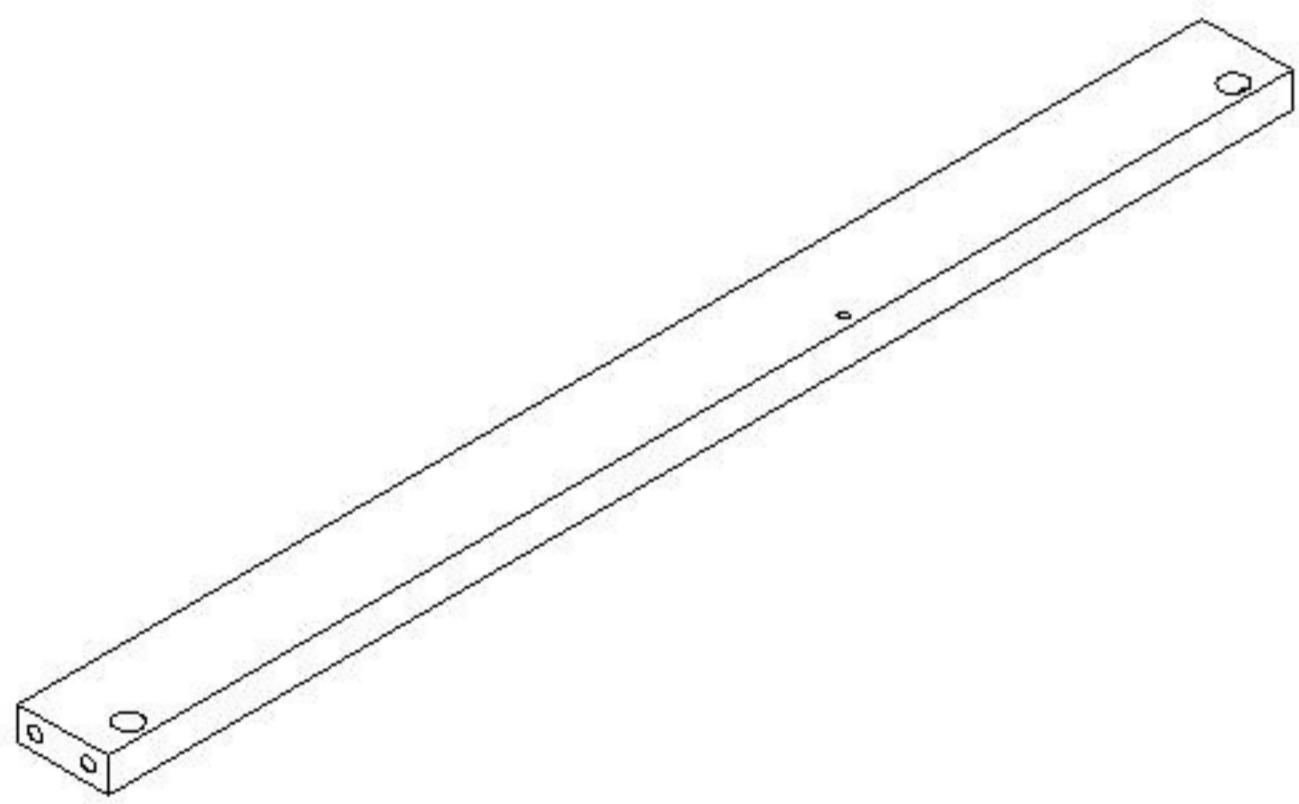
NAME: LEG
CODE: 6
QTY: 4Pcs



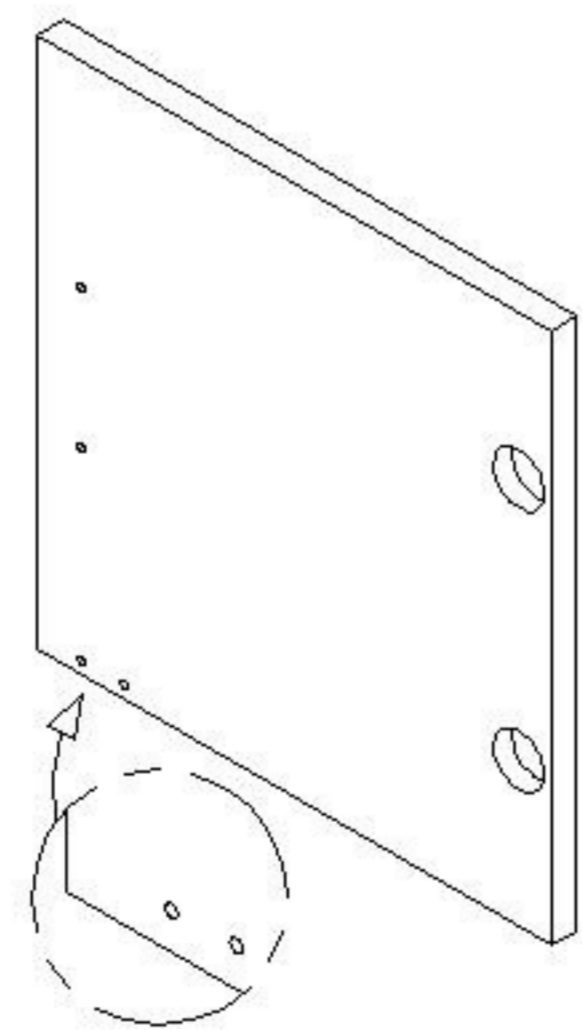
NAME: TOP BAR
CODE: 7
QTY: 1Pc



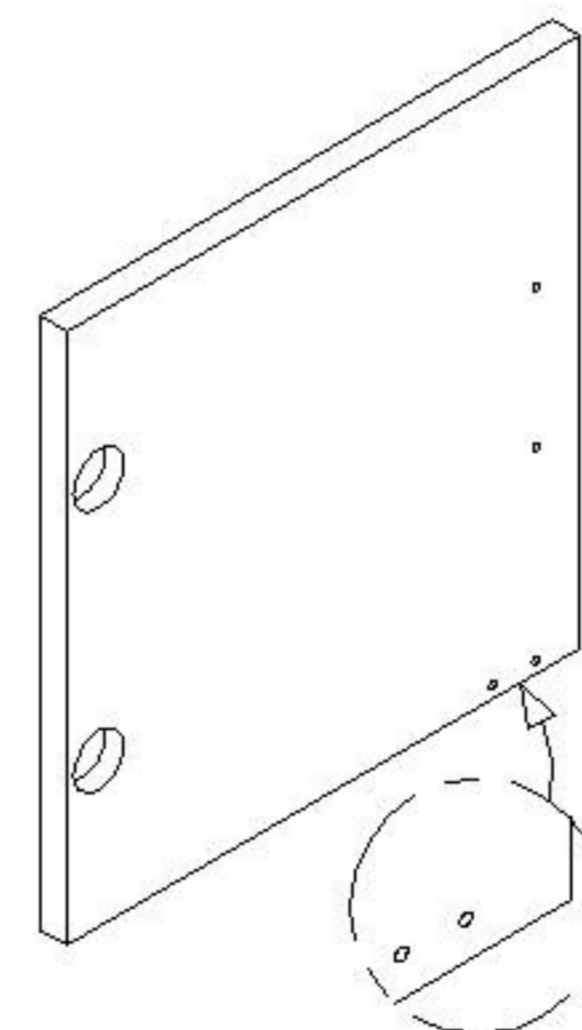
NAME: FRONT CENTER BAR
CODE: 8
QTY: 1Pc



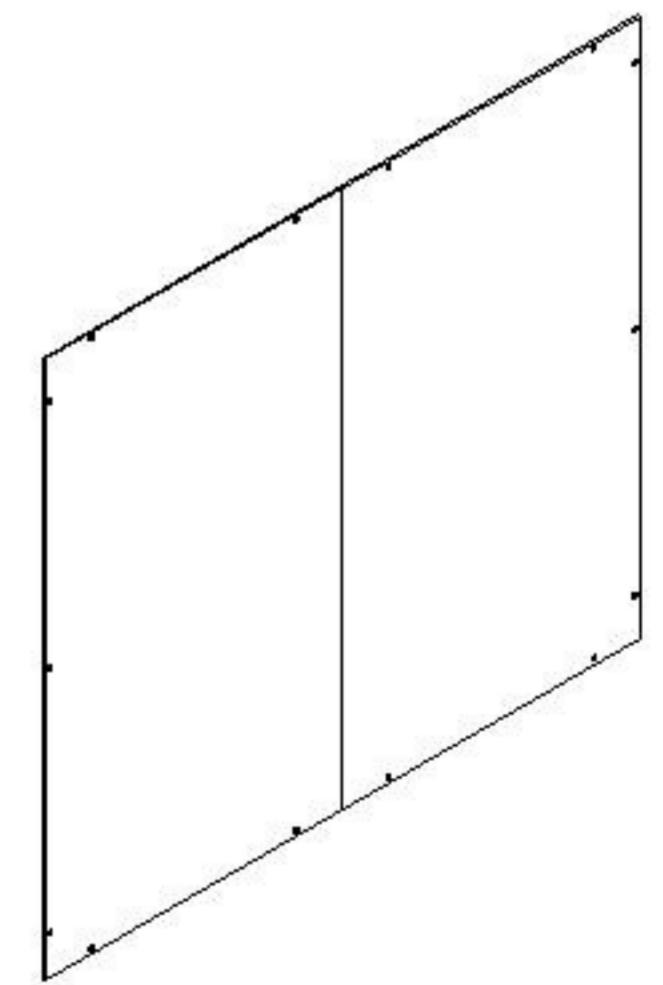
NAME: BACK CENTER BAR
CODE: 9
QTY: 1Pc



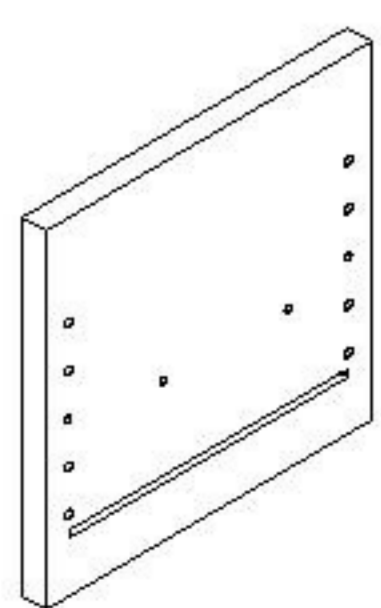
NAME: DOOR(LEFT)
CODE: 10
QTY: 1Pc



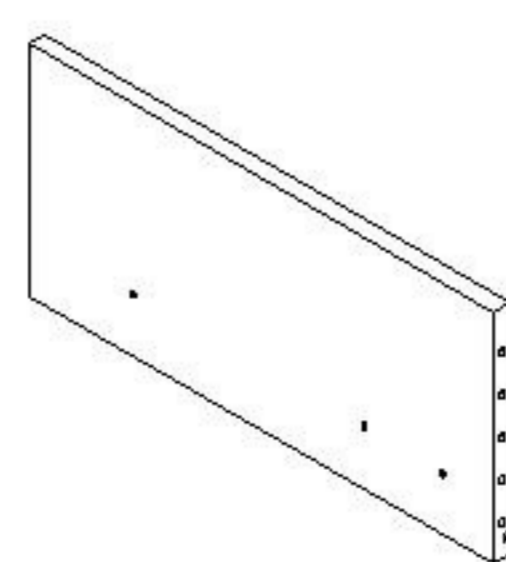
NAME: DOOR(RIGHT)
CODE: 11
QTY: 1Pc



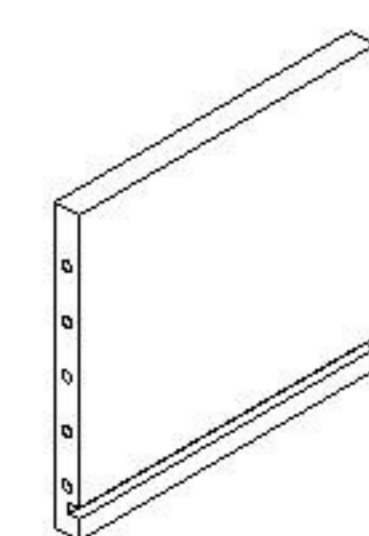
NAME: BACK PLY
CODE: 12
QTY: 1Pc



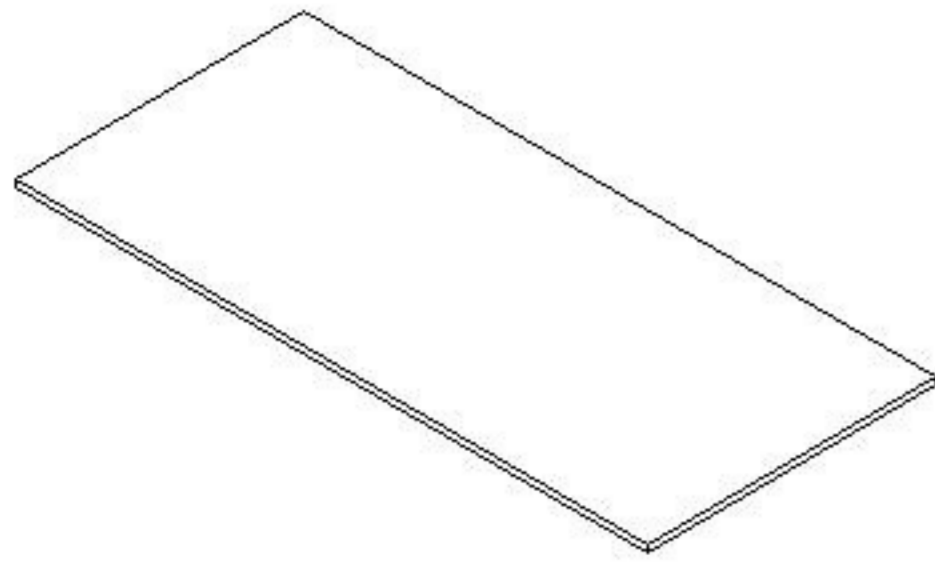
NAME: SMALL DRAWER FRONT
CODE: 101
QTY: 1Pc



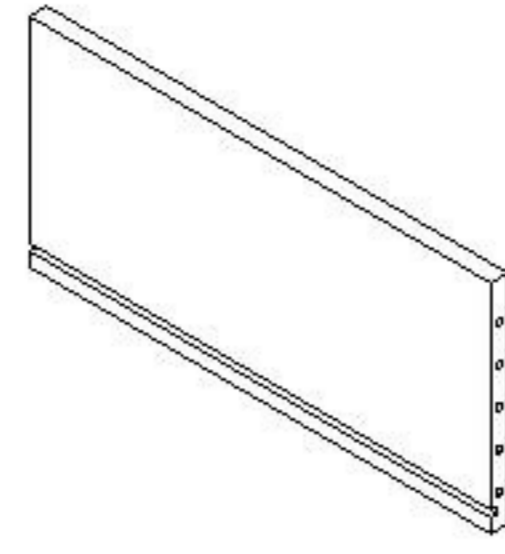
NAME: SMALL DRAWER SIDE(LEFT)
CODE: 102
QTY: 1Pc



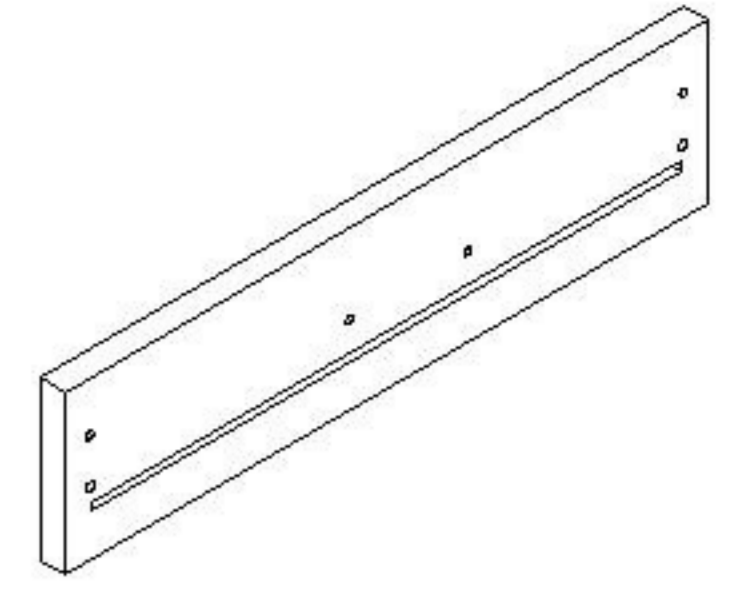
NAME: SMALL DRAWER BACK
CODE: 103
QTY: 1Pc



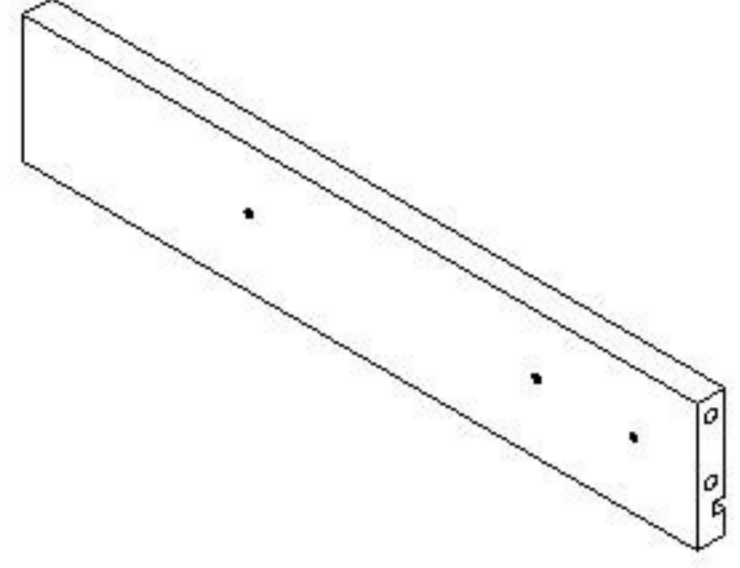
NAME: SMALL DRAWER BASE
CODE: 104
QTY: 1Pc



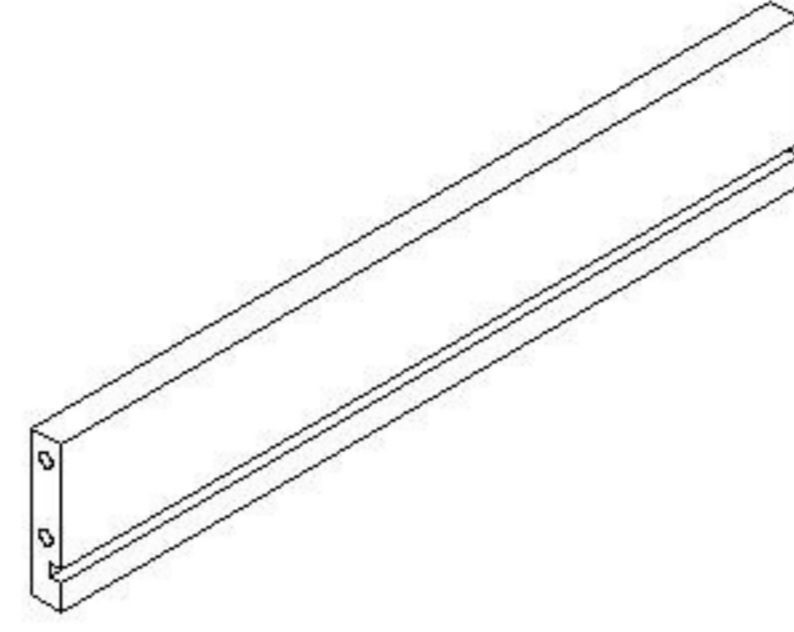
NAME: SMALL DRAWER SIDE(RIGHT)
CODE: 105
QTY: 1Pc



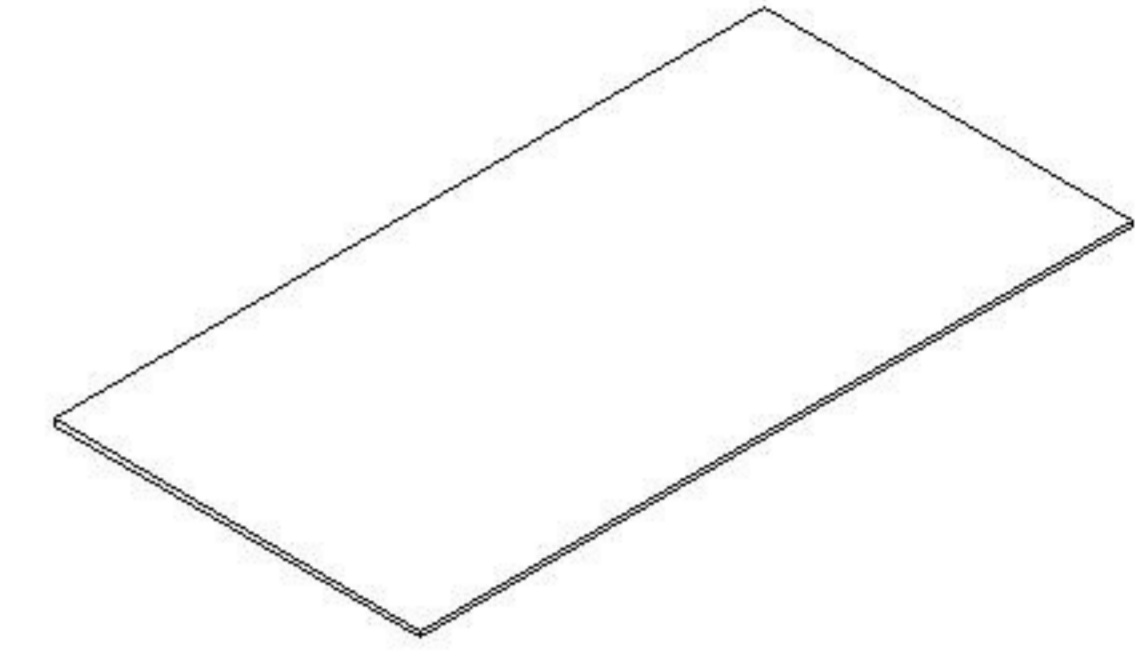
NAME: BIG DRAWER FRONT
CODE: 106
QTY: 2Pcs



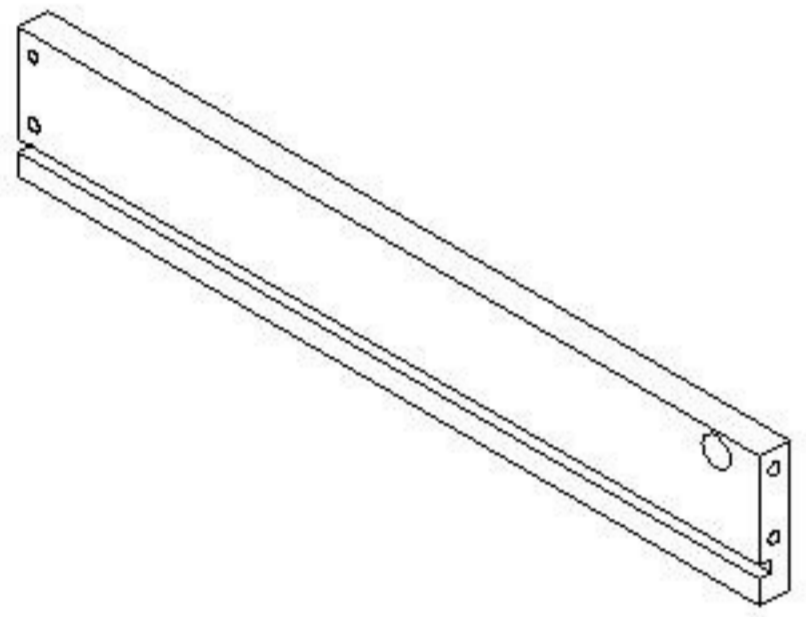
NAME: BIG DRAWER SIDE(LEFT)
CODE: 107
QTY: 2Pcs



NAME: BIG DRAWER BACK
CODE: 108
QTY: 2Pcs



NAME: BIG DRAWER BASE
CODE: 109
QTY: 2Pcs



NAME: BIG DRAWER SIDE(RIGHT)
CODE: 110
QTY: 2Pcs

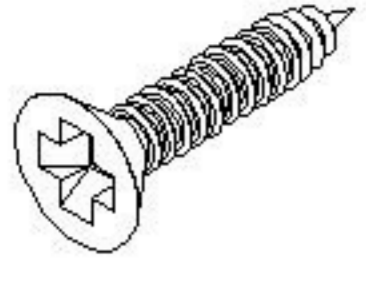
PARTS IN BOX 1

NAME: SIDE PANEL(LEFT)	QTY: 1Pc	CODE: 2
NAME: SIDE PANEL(RIGHT)	QTY: 1Pc	CODE: 3
NAME: PARTITION	QTY: 1Pc	CODE: 5
NAME: LEG	QTY: 4Pcs	CODE: 6
NAME: SMALL DRAWER SIDE(LEFT)	QTY: 1Pc	CODE: 102
NAME: SMALL DRAWER BACK	QTY: 1Pc	CODE: 103
NAME: SMALL DRAWER BASE	QTY: 1Pc	CODE: 104
NAME: SMALL DRAWER SIDE(RIGHT)	QTY: 1Pc	CODE: 105
NAME: BIG DRAWER SIDE(LEFT)	QTY: 2Pcs	CODE: 107
NAME: BIG DRAWER BACK	QTY: 2Pcs	CODE: 108
NAME: BIG DRAWER BASE	QTY: 2Pcs	CODE: 109
NAME: BIG DRAWER SIDE(RIGHT)	QTY: 2Pcs	CODE: 110
NAME: RUNNER	QTY: 1Pack	
NAME: HARDWARE + AI	QTY: 1Pack	
NAME: HINGES	QTY: 1Pack	

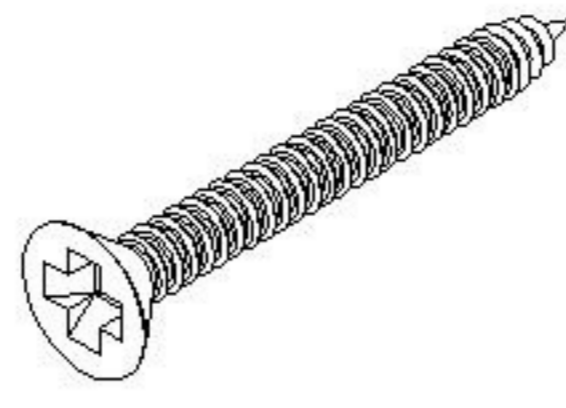
PARTS IN BOX 2

NAME: TOP PANEL	QTY: 1Pc	CODE: 1
NAME: BOTTOM PANEL	QTY: 1Pc	CODE: 4
NAME: TOP BAR	QTY: 1Pc	CODE: 7
NAME: FRONT CENTER BAR	QTY: 1Pc	CODE: 8
NAME: BACK CENTER BAR	QTY: 1Pc	CODE: 9
NAME: DOOR(LEFT)	QTY: 1Pc	CODE: 10
NAME: DOOR(RIGHT)	QTY: 1Pc	CODE: 11
NAME: BACK PLY	QTY: 1Pc	CODE: 12
NAME: SMALL DRAWER FRONT	QTY: 1Pc	CODE: 101
NAME: BIG DRAWER FRONT	QTY: 2Pcs	CODE: 106

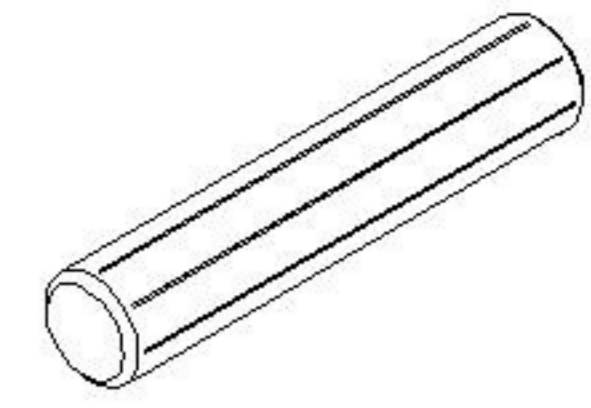
HARDWARE LIST



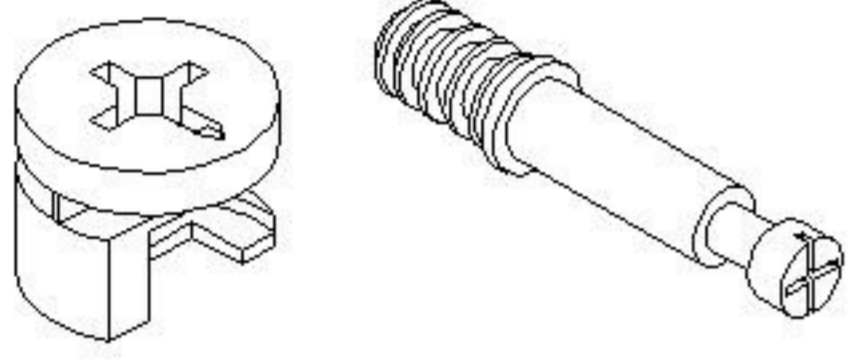
NAME: CHIPBOARD SCREW M3X16mm
CODE: A
QTY: 36Pcs



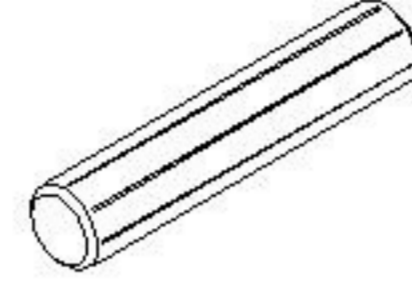
NAME: CHIPBOARD SCREW M4X38mm
CODE: B
QTY: 6Pcs



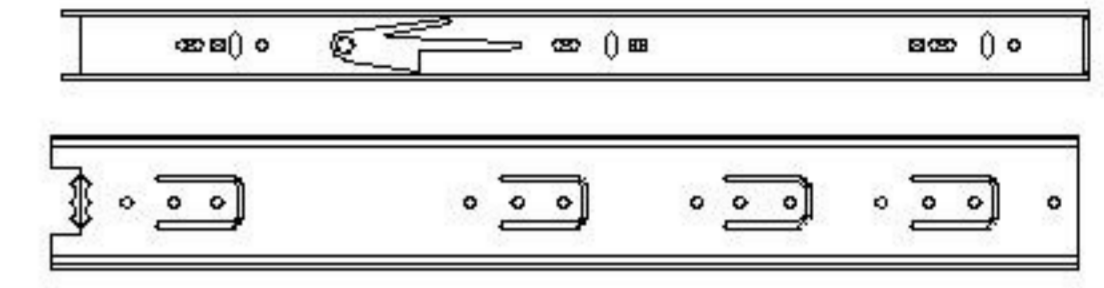
NAME: WOOD DOWEL M8X35mm
CODE: C
QTY: 18Pcs



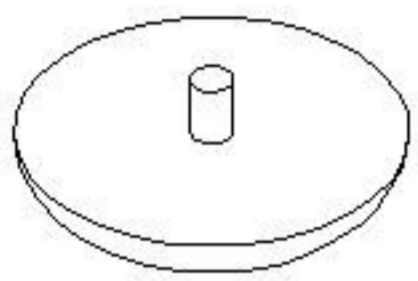
NAME: CAM LOCK & CAM BOLT
CODE: D
QTY: 24Sets



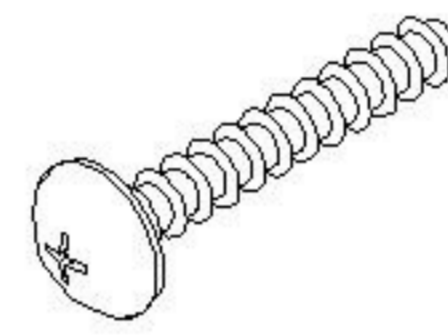
NAME: WOOD DOWEL M6X30mm
CODE: E
QTY: 24Pcs



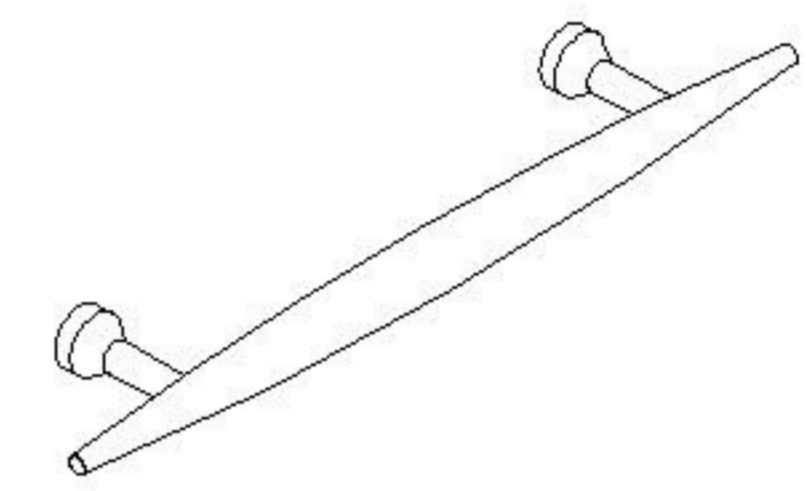
NAME: EXTENSION RUNNER 350mm
CODE: F
QTY: 3Sets



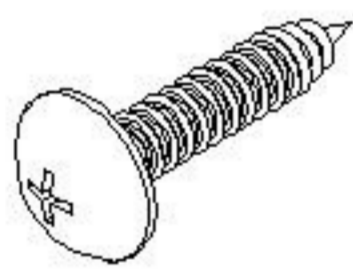
NAME: CAM LOCK COVER
CODE: G
QTY: 24Pcs



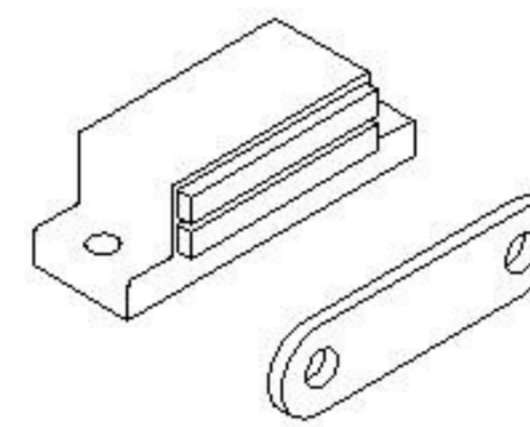
NAME: PANHEAD SCREW M4X22mm
CODE: H
QTY: 10Pcs



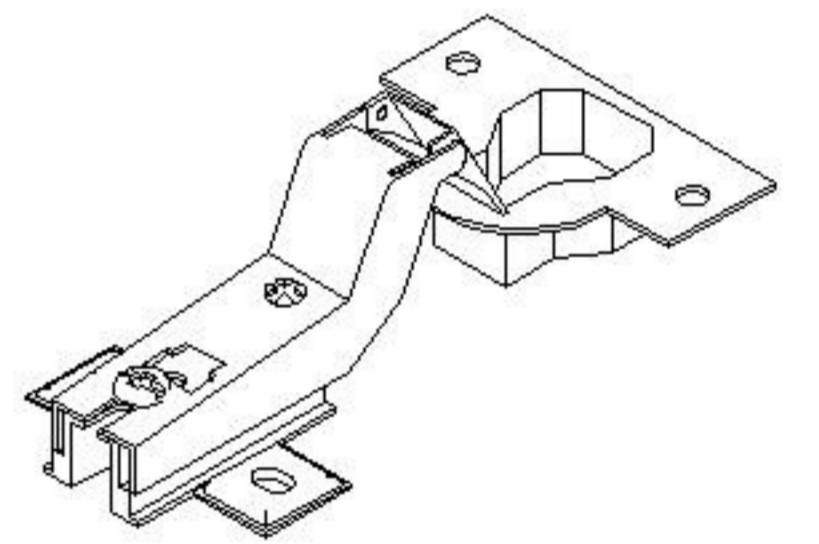
NAME: HANDLE
CODE: I
QTY: 5Pcs



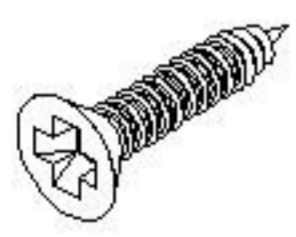
NAME: PANHEAD CHIPBOARD SCREW M4X16mm(BLACK)
CODE: J
QTY: 14Pcs



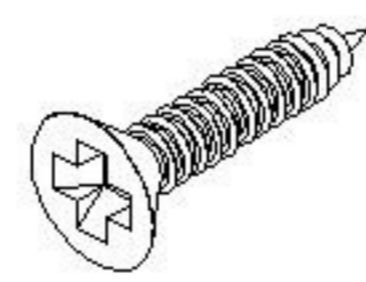
NAME: MAGNET & METAL WARE
CODE: K
QTY: 2Sets



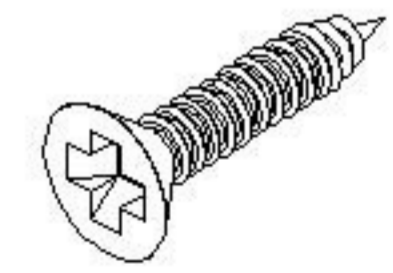
NAME: HINGES H-7
CODE: L
QTY: 4Pcs



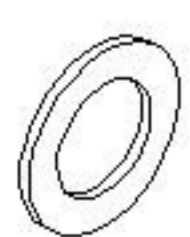
NAME: CHIPBOARD SCREW M3X12mm
CODE: M
QTY: 4Pcs



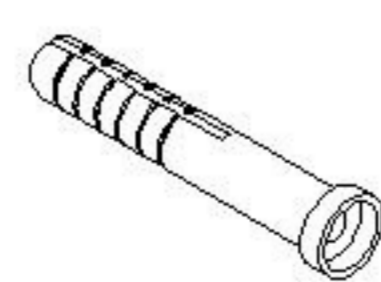
NAME: CHIPBOARD SCREW M4X16mm
CODE: N
QTY: 20Pcs



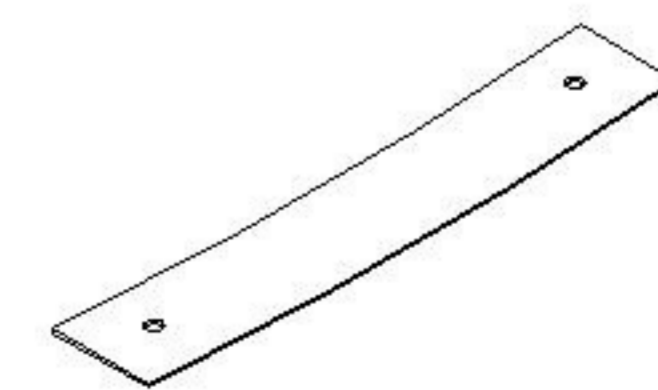
NAME: CHIPBOARD SCREW M4X25mm
CODE: W
QTY: 4Pcs



NAME: FLAT WASHER M4
CODE: X
QTY: 2Pcs



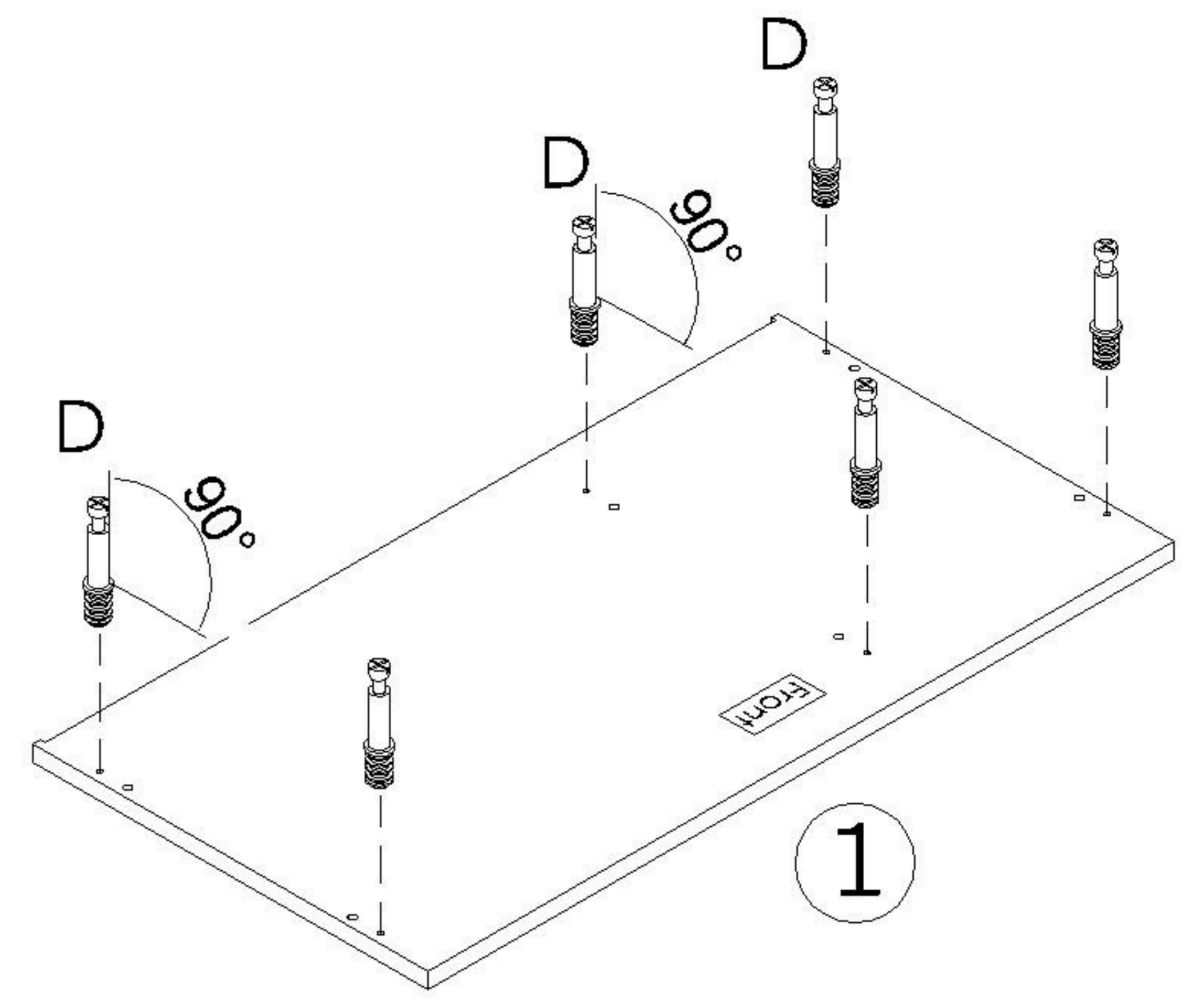
NAME: SCREW PLUG
CODE: Y
QTY: 2Pcs



NAME: SAFETY BELT (150mm)
CODE: Z
QTY: 2Pcs

STEP 1

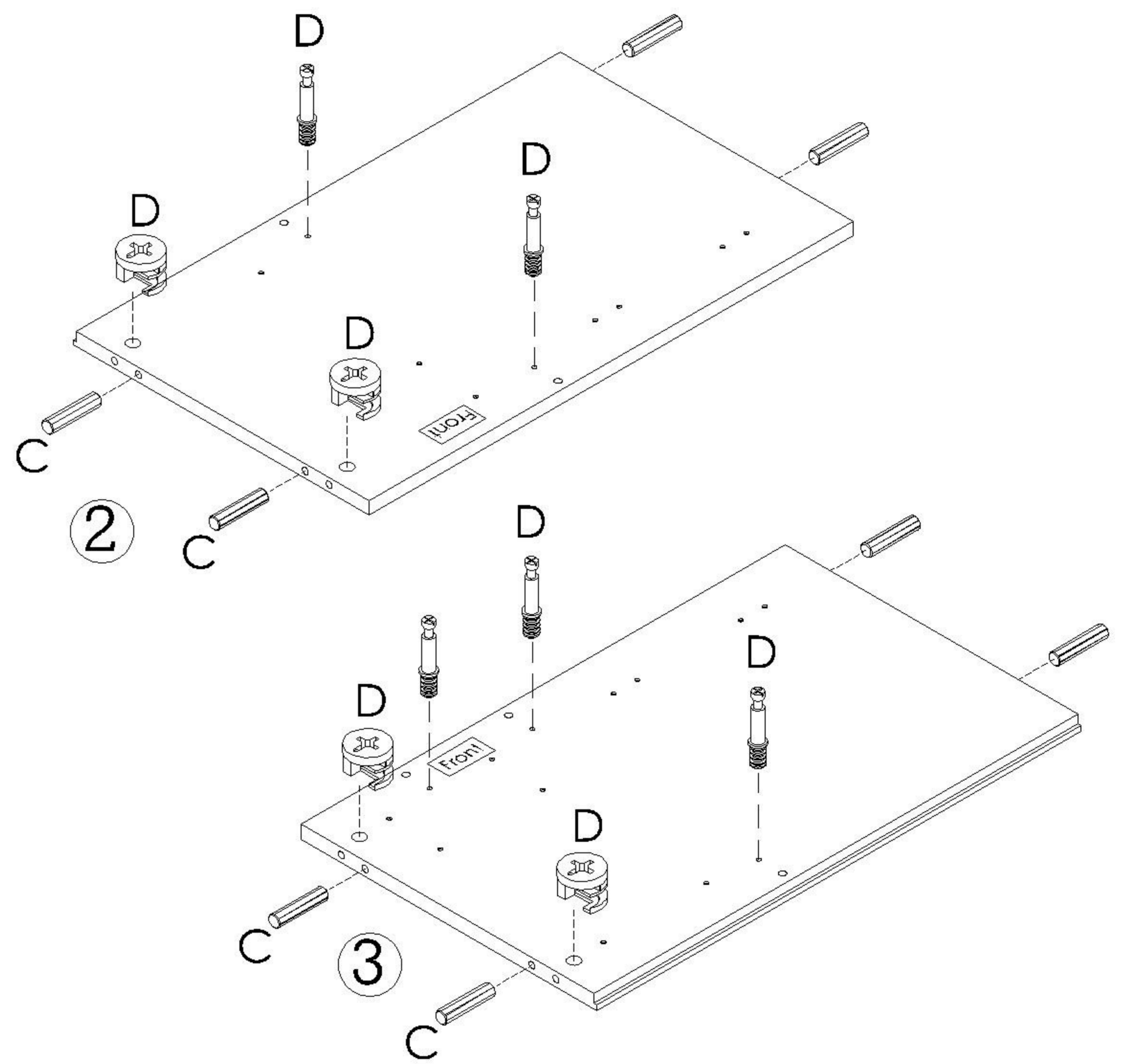
- A) Insert & secure Cam Bolt(D) to Top Panel(1)



STEP 2

- A) Insert Wood Dowel(C) to Left,Right Side Panel(2,3)
- B) Attach Cam Lock(D) to Left,Right Side Panel(2,3)
- C) Insert & secure Cam Bolt(D) to Left,Right Side Panel(2,3)

Note : Make sure arrows on each Cam Lock point towards nearest edge with holes

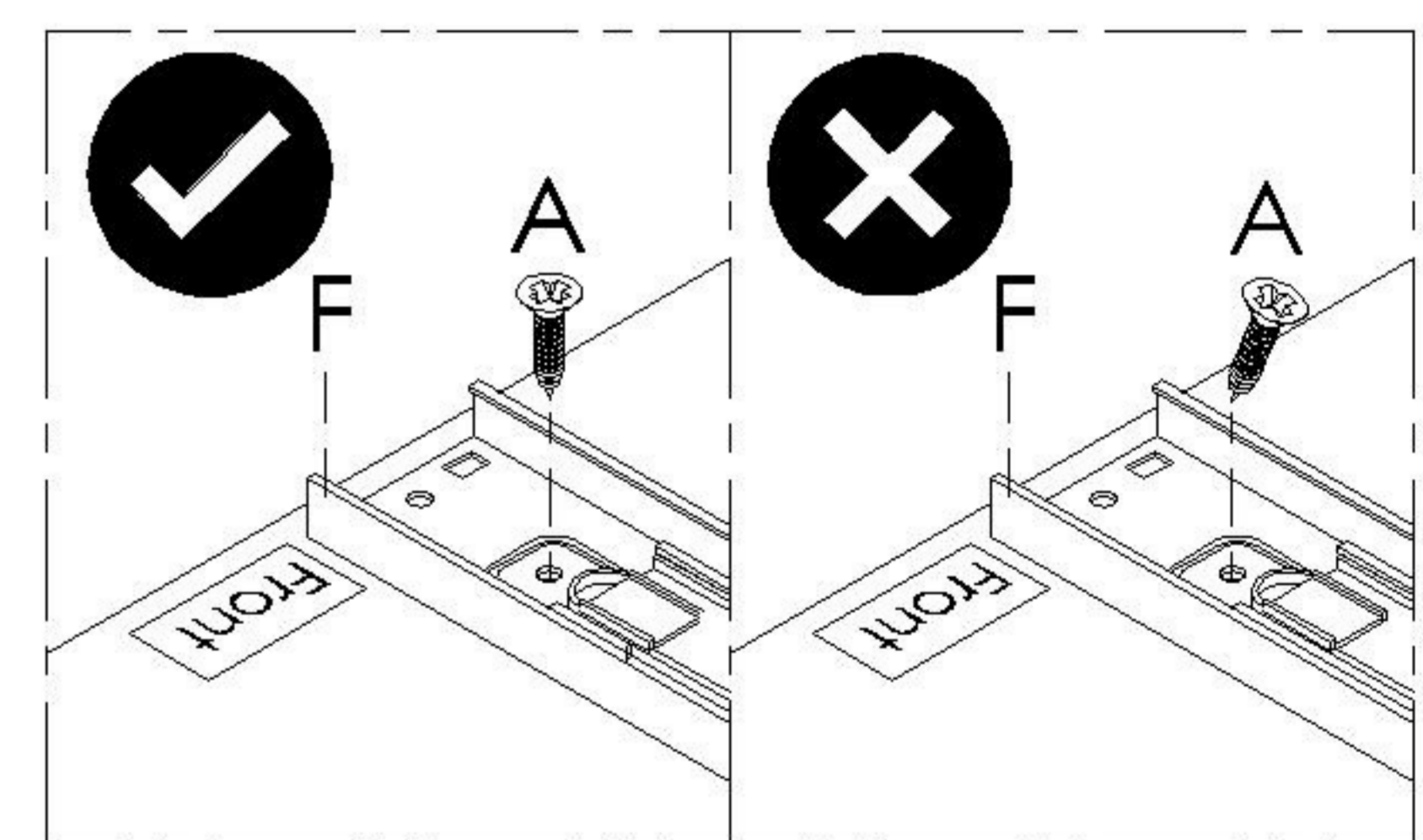
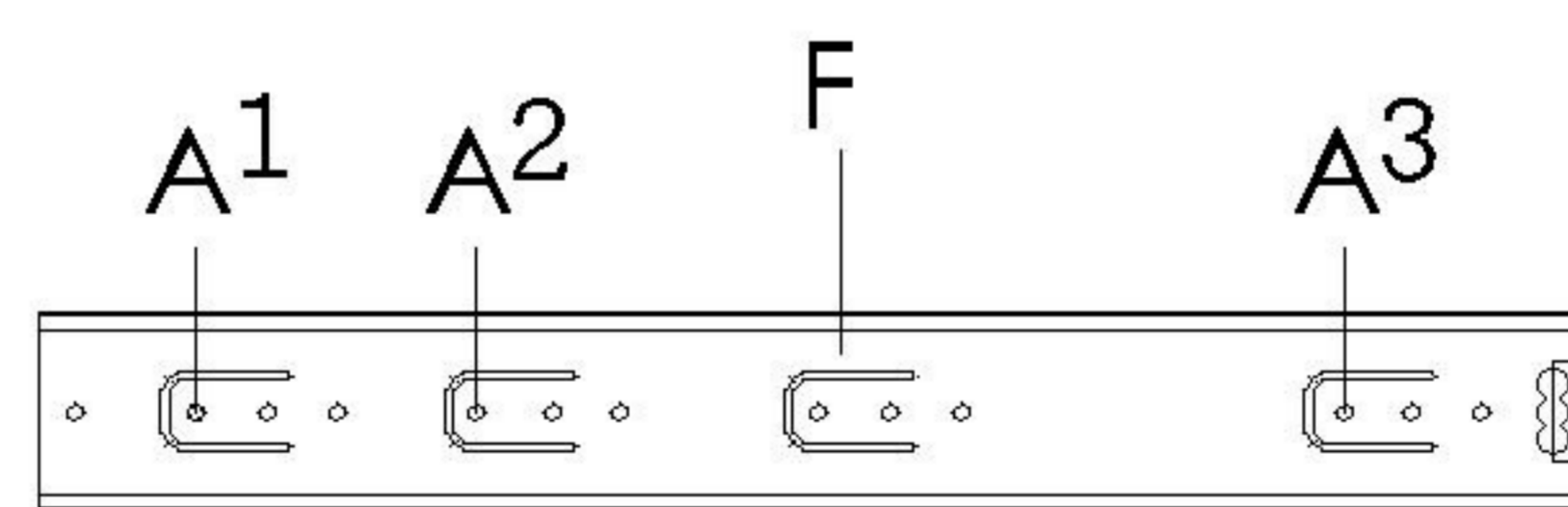


STEP 3

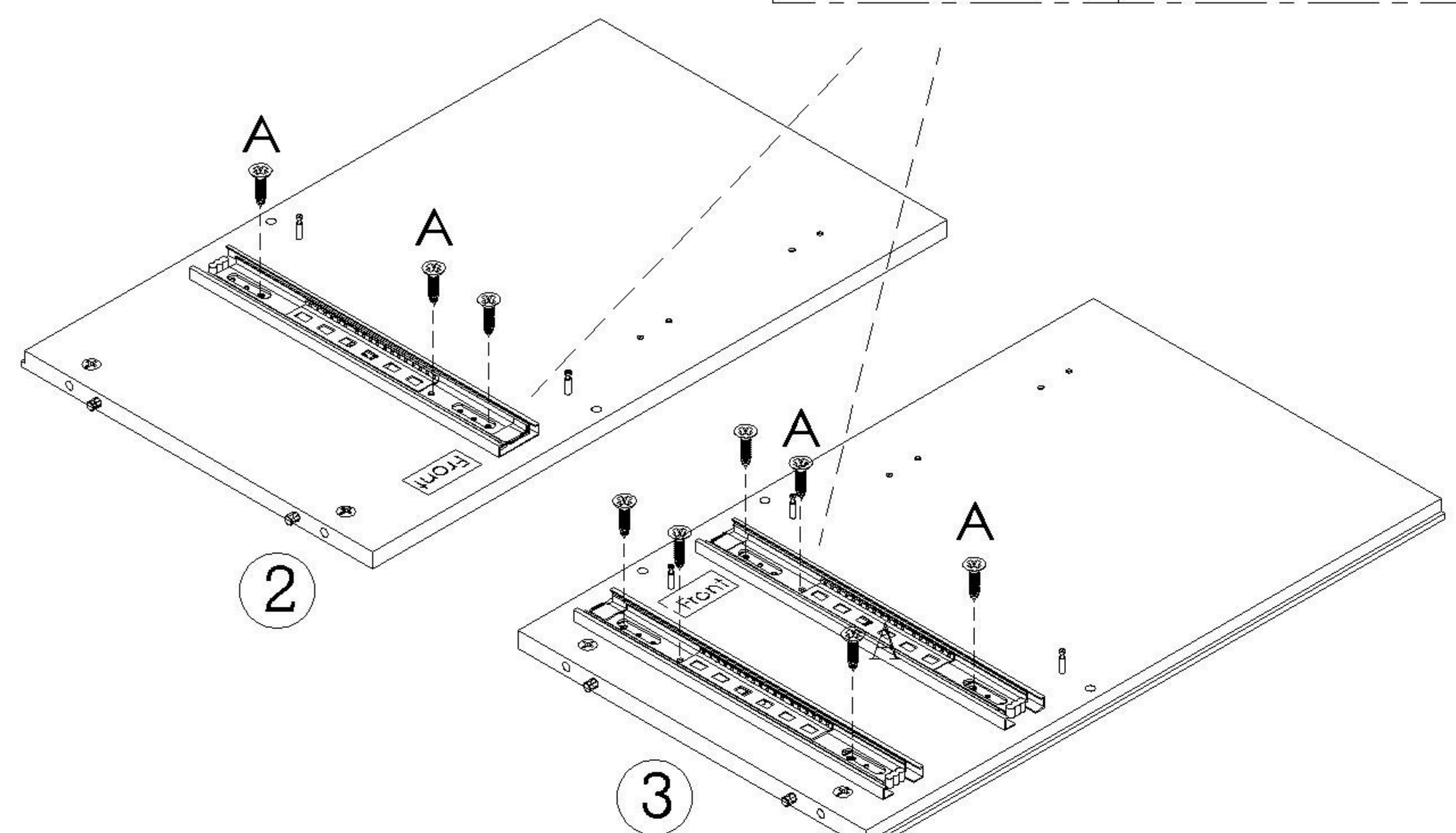
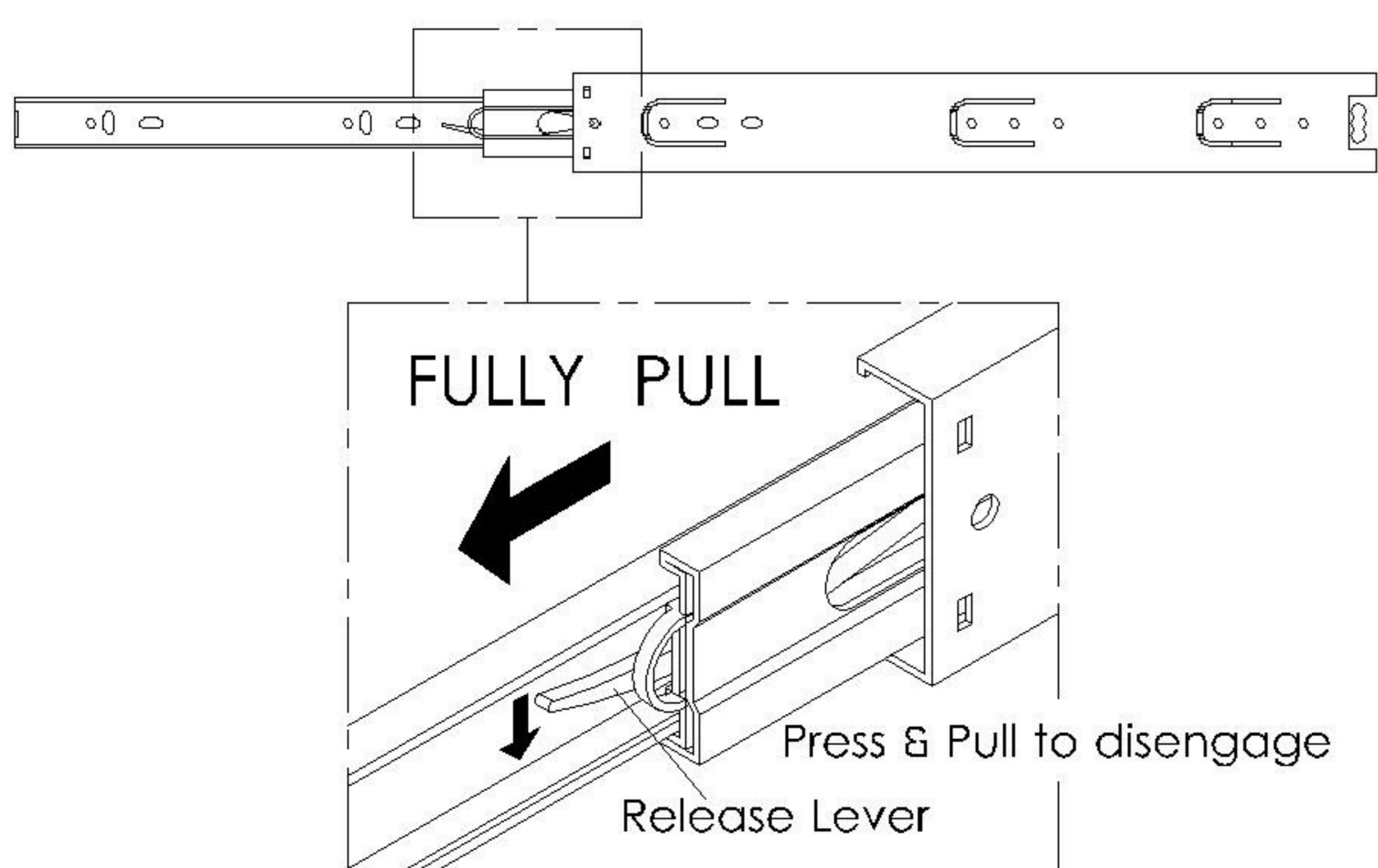
- A) Attach Extension Runner(F) to Left,Right Side Panel(2,3) using Chipboard Screw(A) to secure

NOTE : Chipboard Screw(A) should be assembled from the front of the runner. Start from A¹, A² then A³

NOTE : Make sure the screws are installed vertically without slant to ensure screw sits properly in the hole



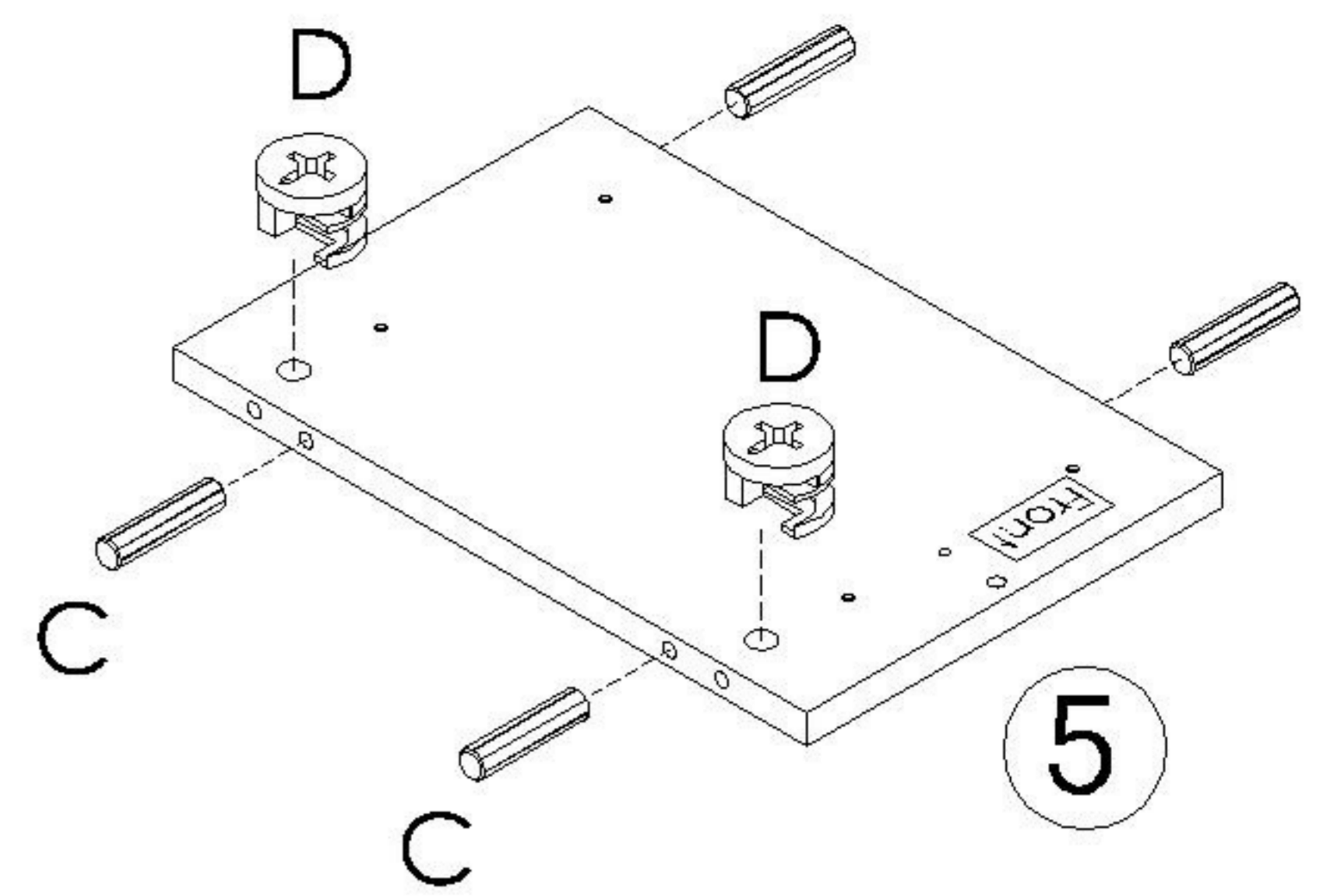
EXTENSION RUNNER DISASSEMBLE STEPS:



STEP 4

- A) Insert Wood Dowel(C) to Partition(5)
- B) Attach Cam Lock(D) to Partition(5)

Note : Make sure arrows on each Cam Lock point towards nearest edge with holes

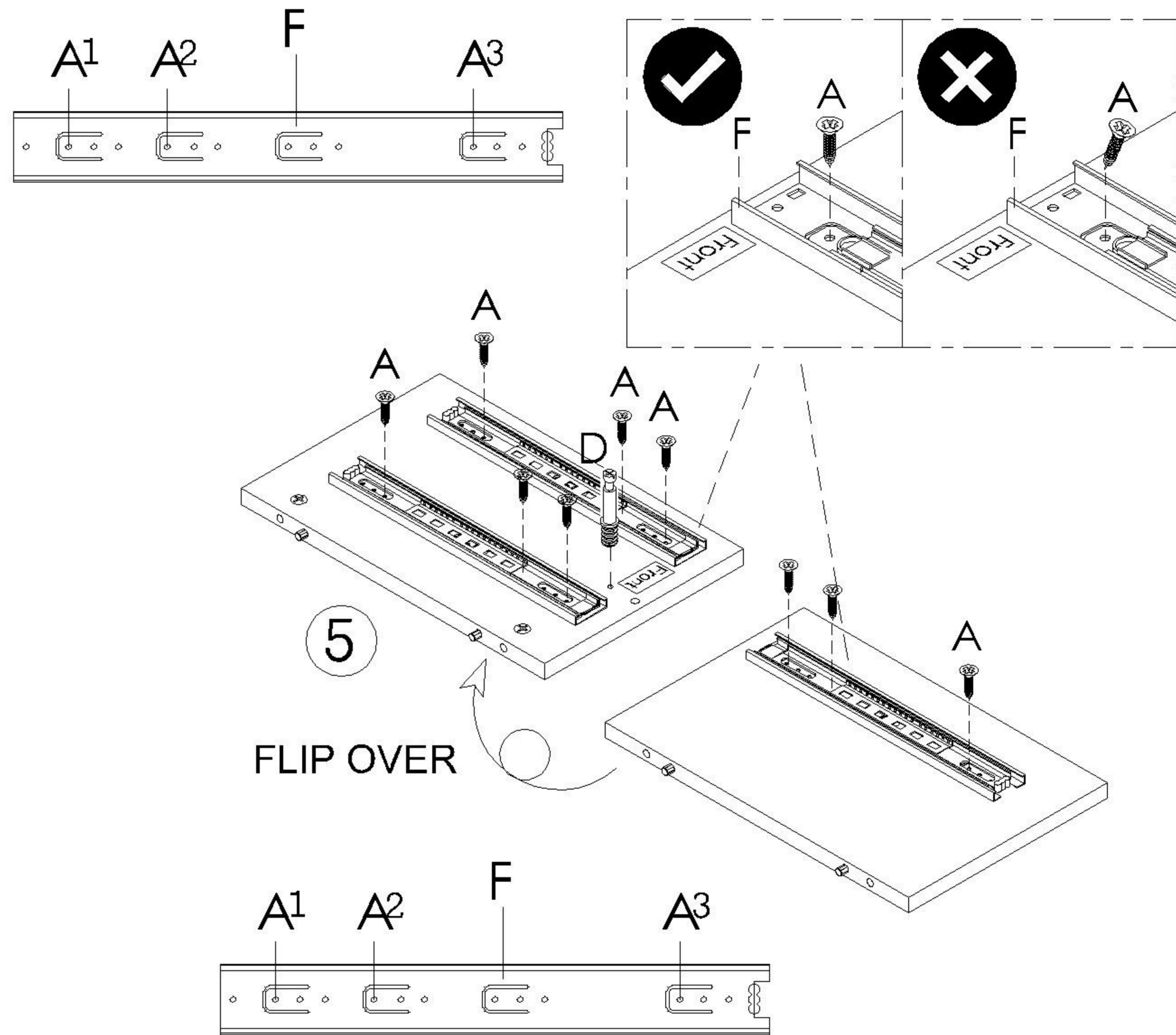


STEP 5

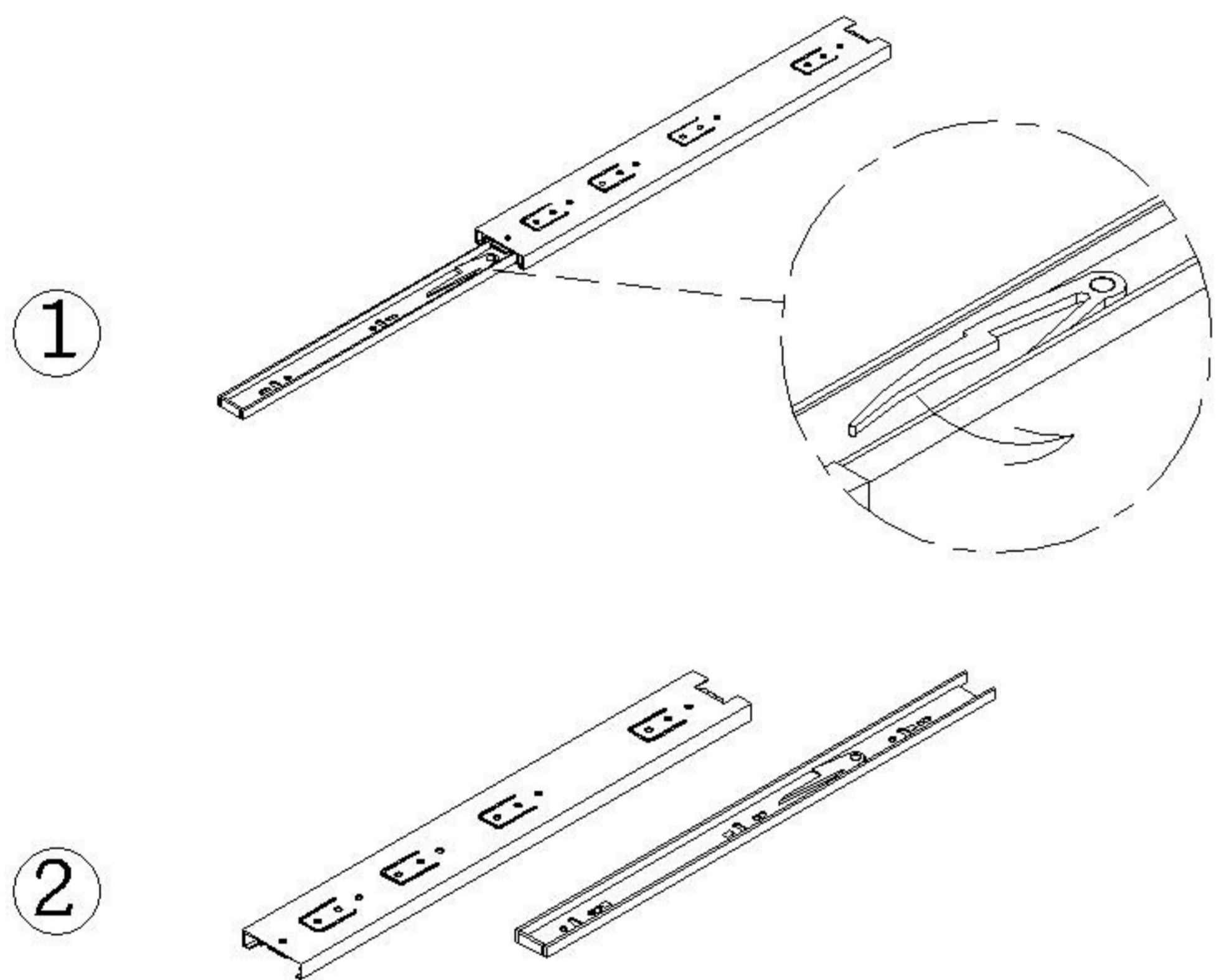
- A) Attach Extension Runner(F) to both sides of Partition(5) using Chipboard Screw(A) to secure
- B) Insert & secure Cam Bolt(D) to Partition(5)

NOTE : Chipboard Screw(A) should be assembled from the front of the runner. Start from A¹, A² then A³

NOTE : Make sure the screws are installed vertically without slant to ensure screw sits properly in the hole



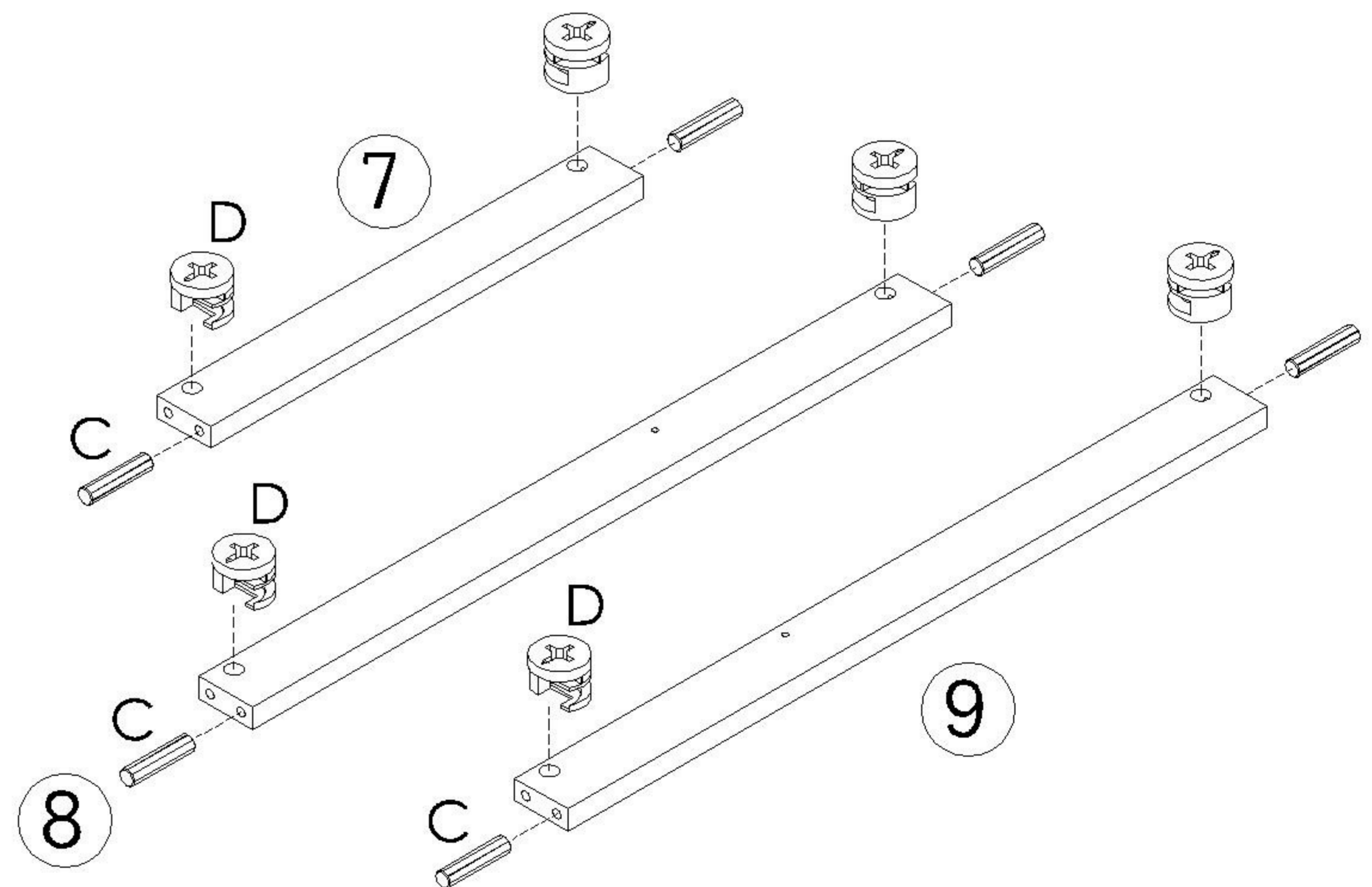
EXTENSION RUNNER ASSEMBLE STEPS:



STEP 6

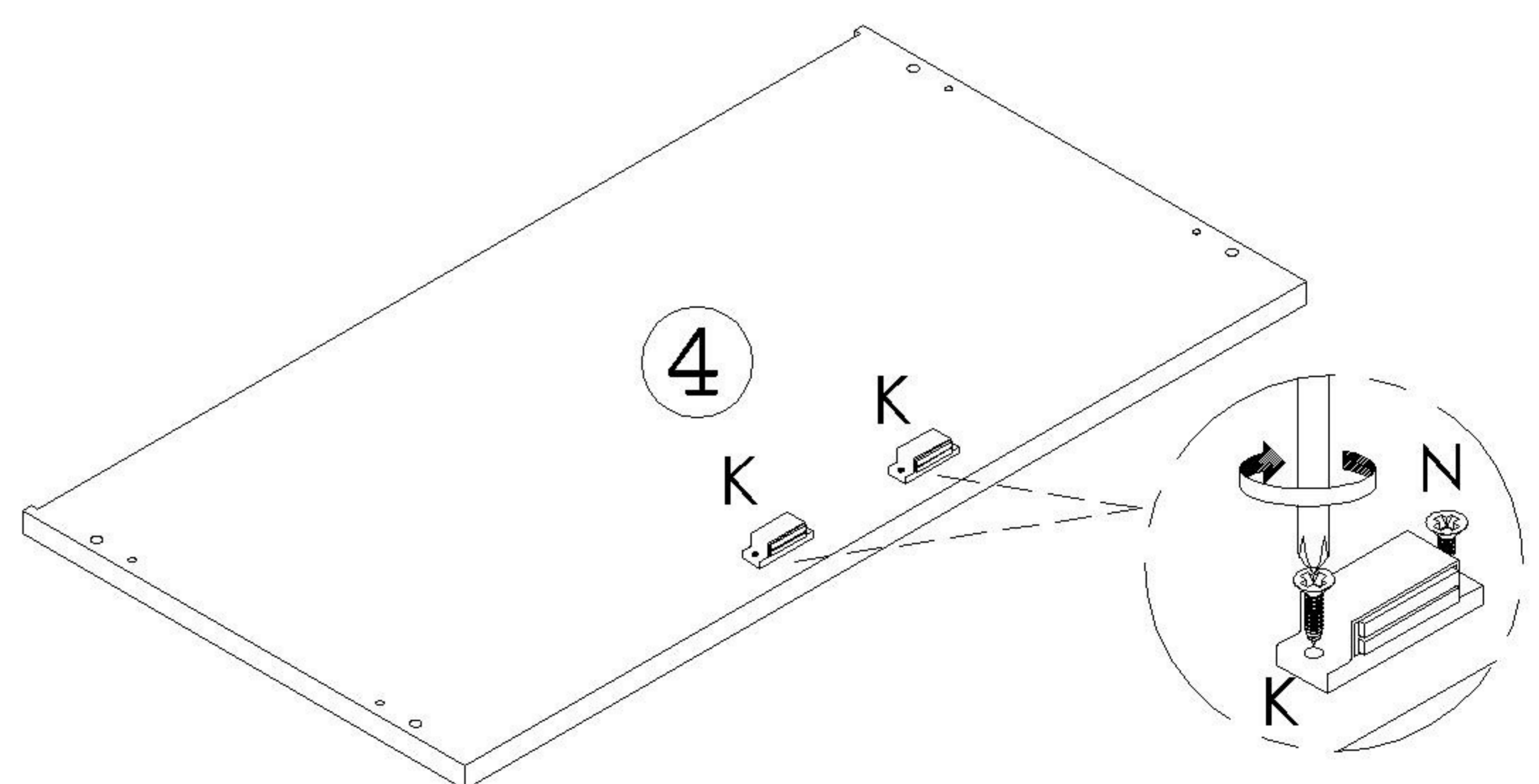
- A) Insert Wood Dowel(C) to Top Bar, Front,Back Center Bar (7,8,9)
- B) Attach Cam Lock(D) to Top Bar, Front,Back Center Bar (7,8,9)

Note: Make sure arrows on each Cam Lock point towards nearest edge with holes



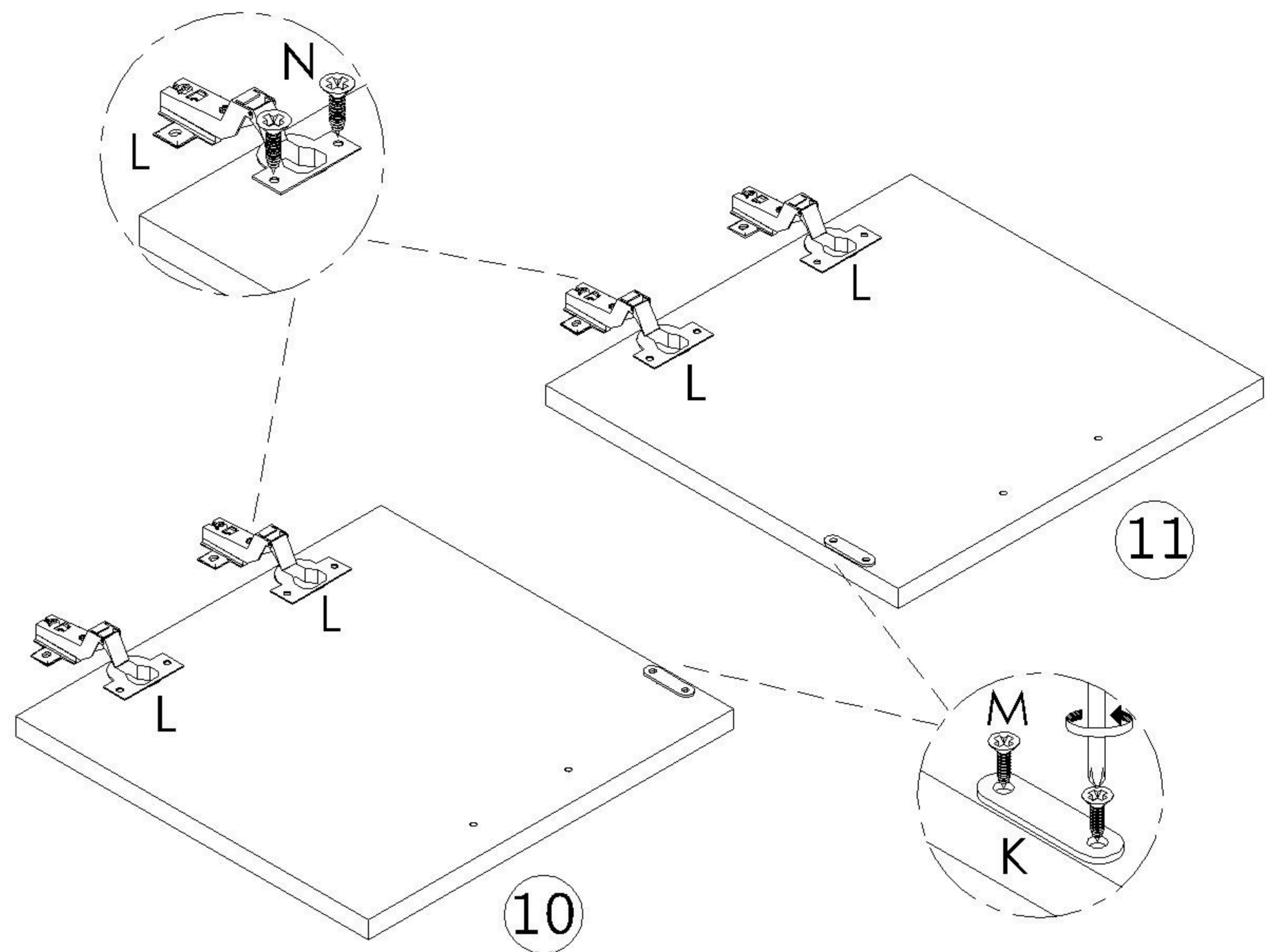
STEP 7

- A) Attach Magnet(K) to Bottom Panel(4) secure using Chipboard Screw(N)



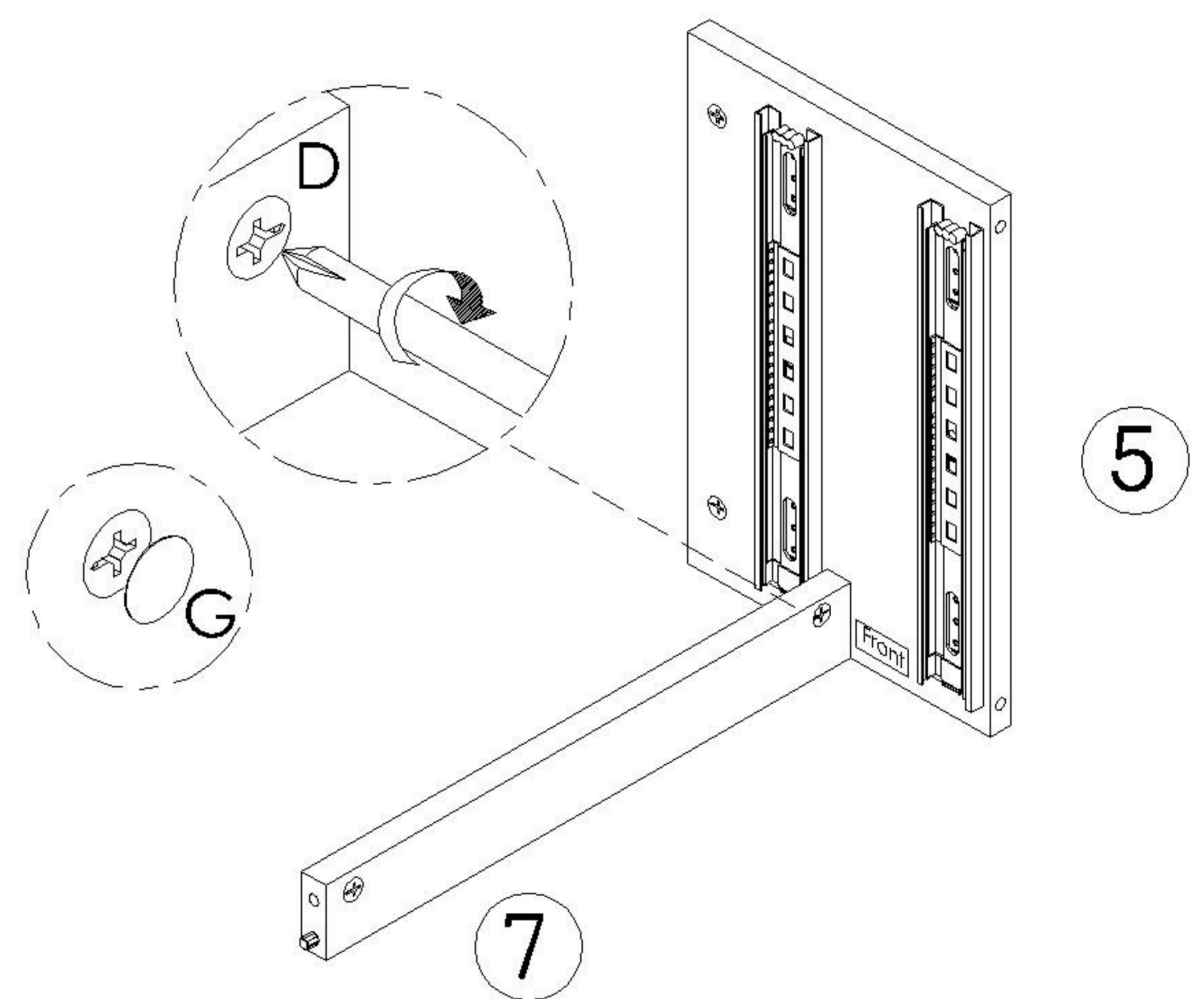
STEP 8

- A) Attach Hinges(L) to Left,Right Door(10,11) using Chipboard Screw(N) to secure
- B) Attach Magnet(K) to Left,Right Door(10,11) secure using Chipboard Screw(M)



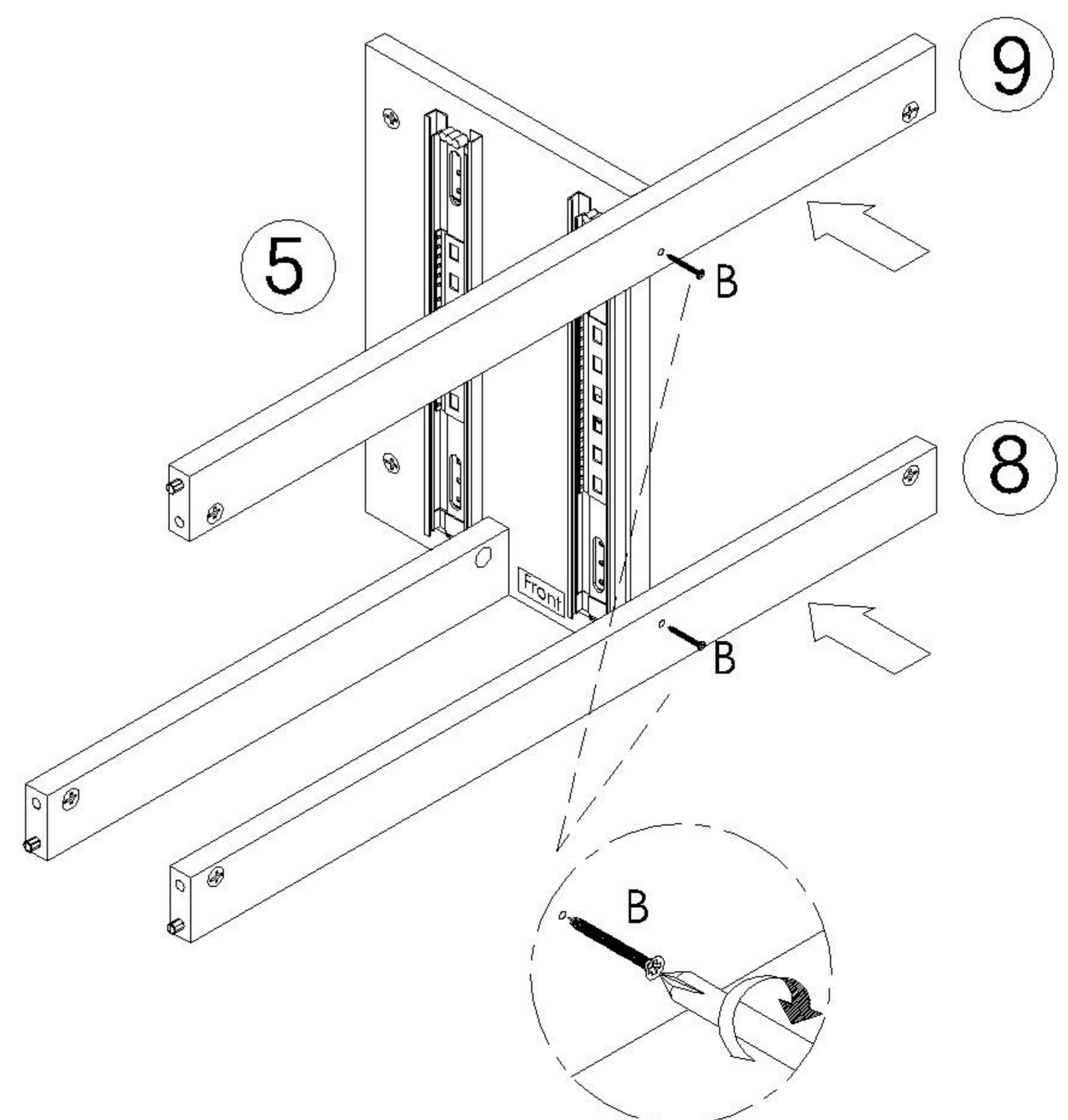
STEP 9

- A) Attach Top Bar(7) to Partition(5) secure with Cam Lock(D)
- B) Using Cam Lock Cover(G) to cover Cam Lock(D)



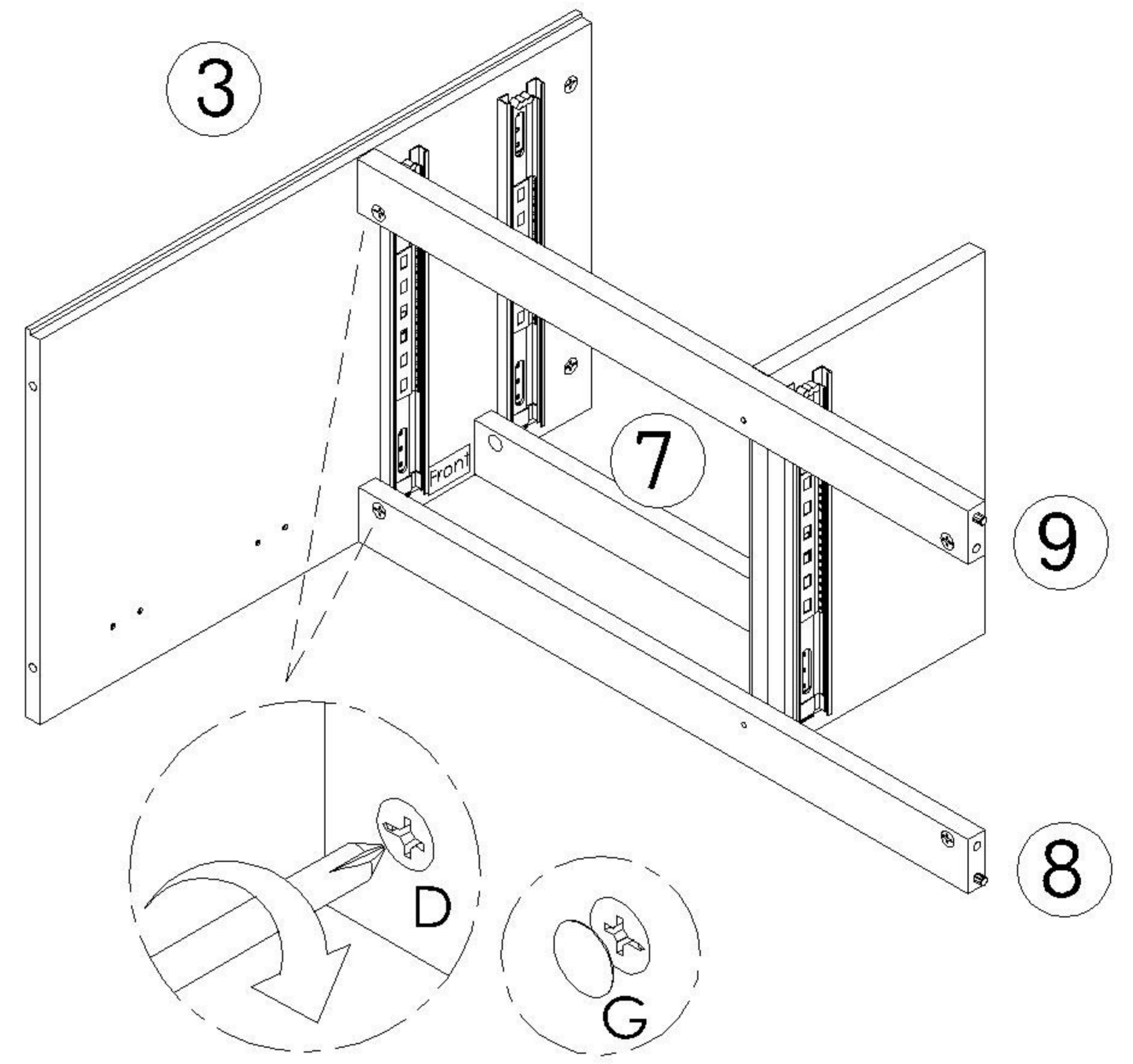
STEP 10

- A) Attach Front Center Bar,Back Center Bar(8,9) to Partition(5) using Chipboard Screw(B) to secure



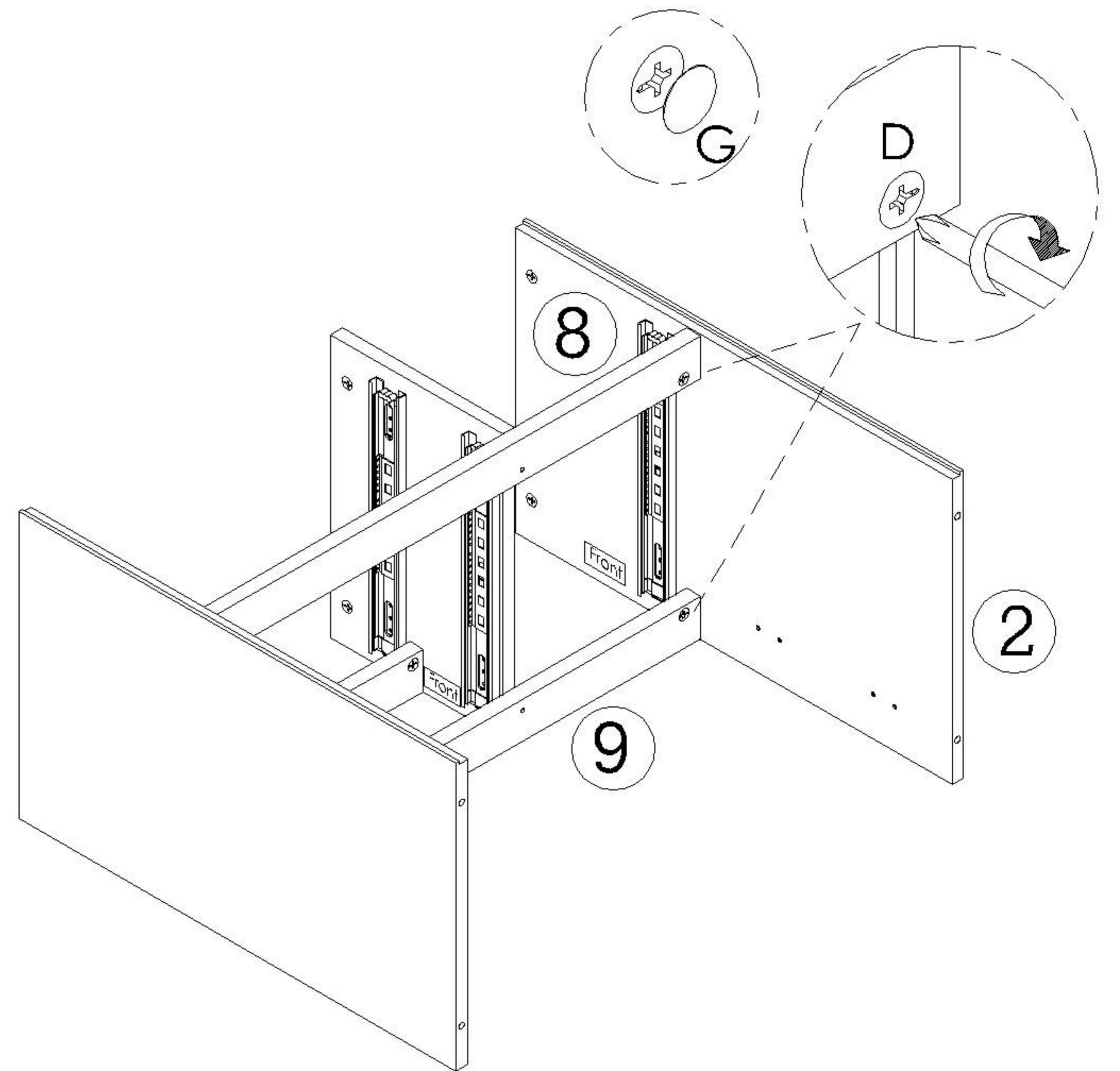
STEP 11

- A) Attach Top Bar(7),Front Center Bar(8),Back Center Bar(9) to Right Side Panel(3)& secure with Cam Lock(D)
- B) Using Cam Lock Cover(G) to cover Cam Lock(D)



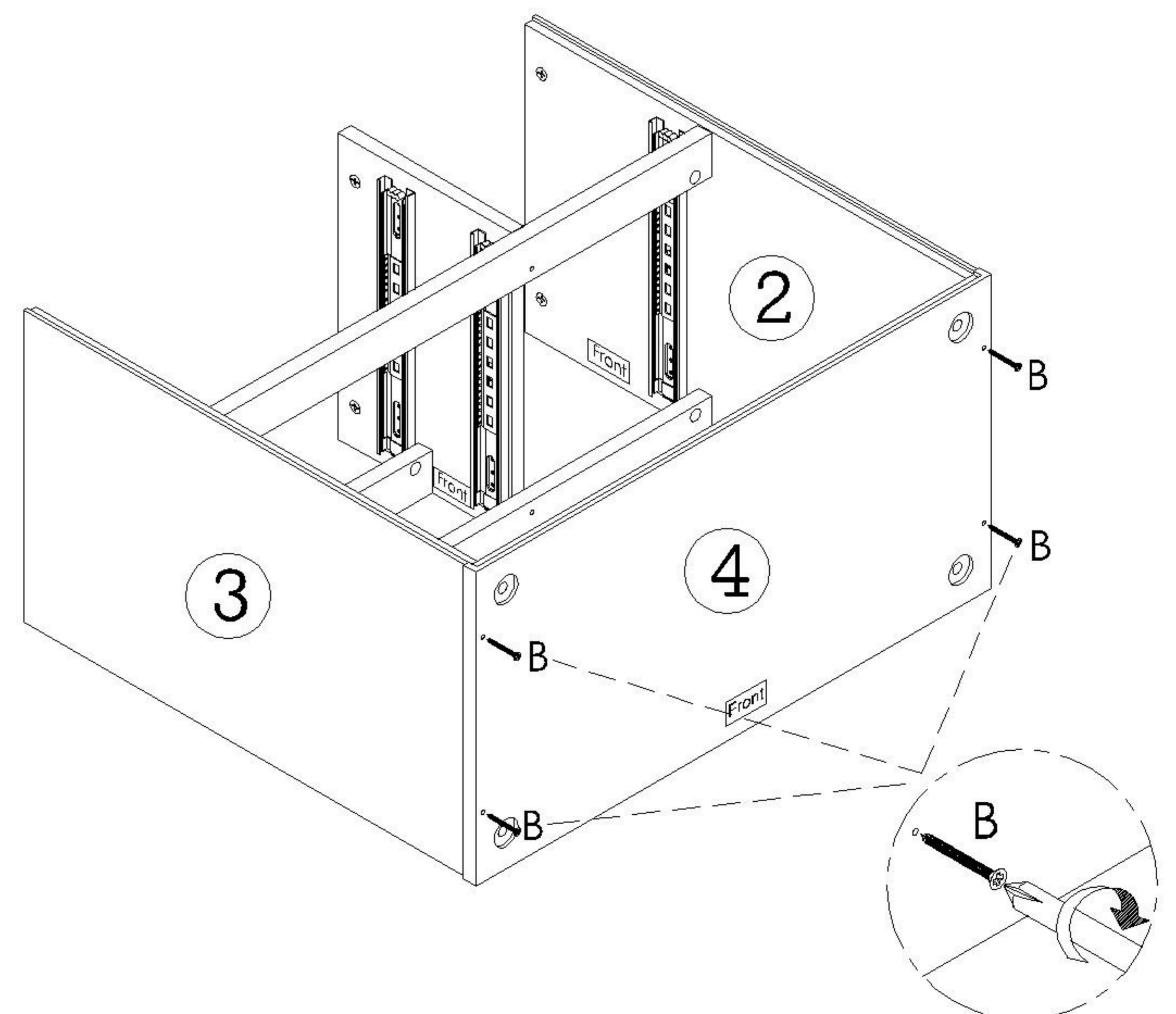
STEP 12

- A) Attach Front Center Bar(8),Back Center Bar(9) to Left Side Panel(2)& secure with Cam Lock(D)
- B) Using Cam Lock Cover(G) to cover Cam Lock(D)



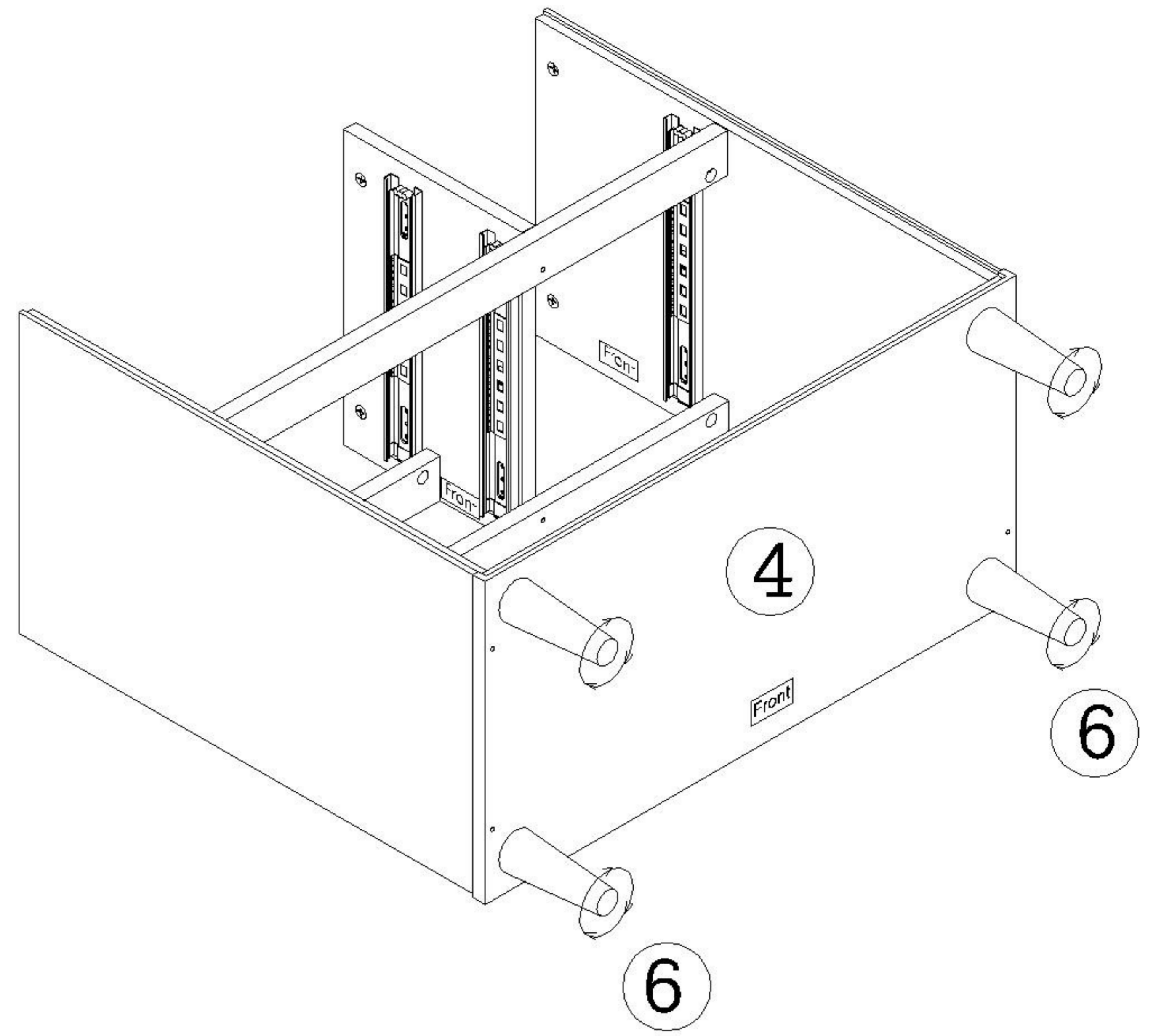
STEP 13

- A) Attach Bottom Panel(4) to underneath of Left,Right Side Panel(2,3) using Chipboard Screw(B) to secure



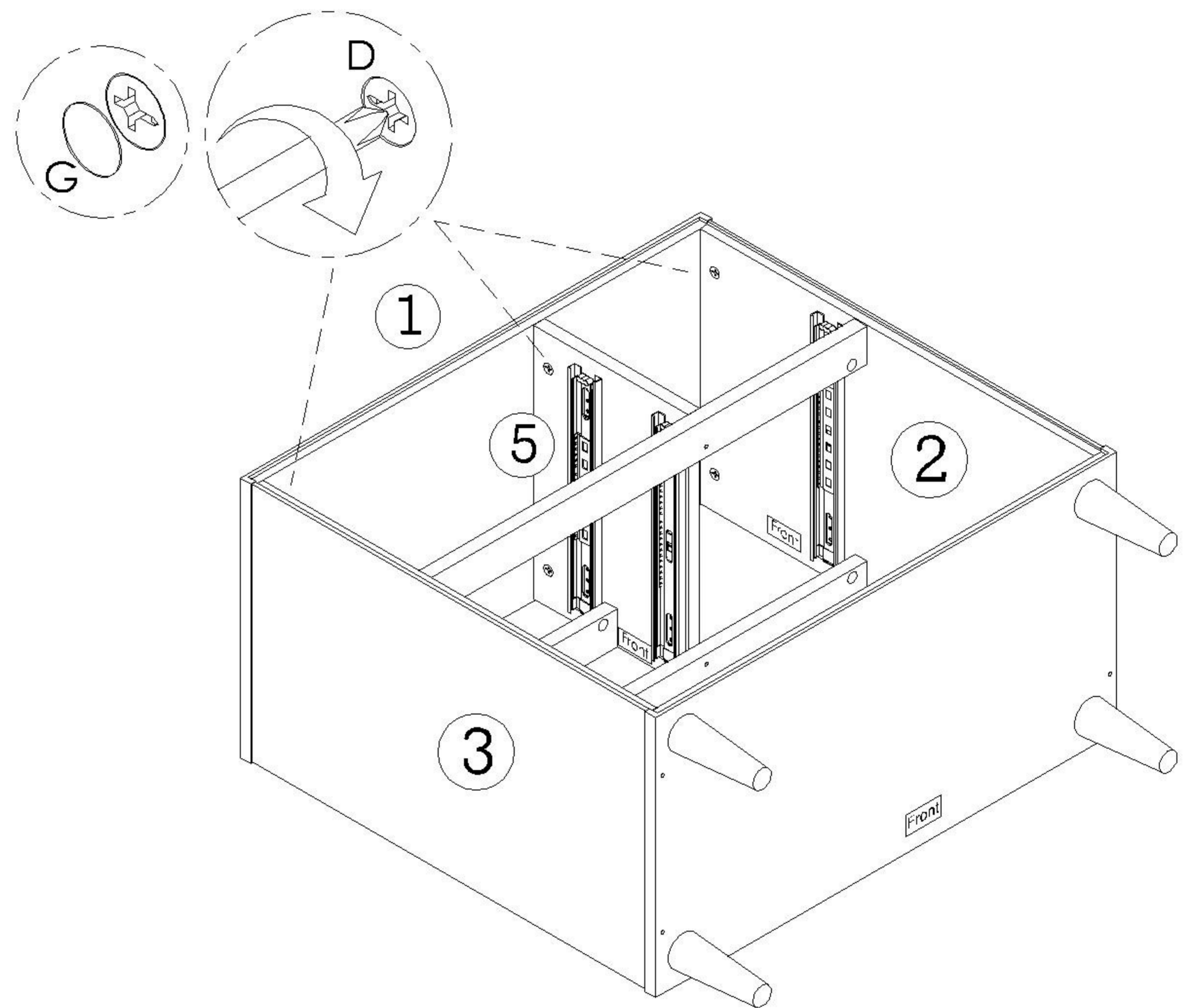
STEP 14

- A) Attach and secure Leg(6) to Bottom Panel(4) clockwise



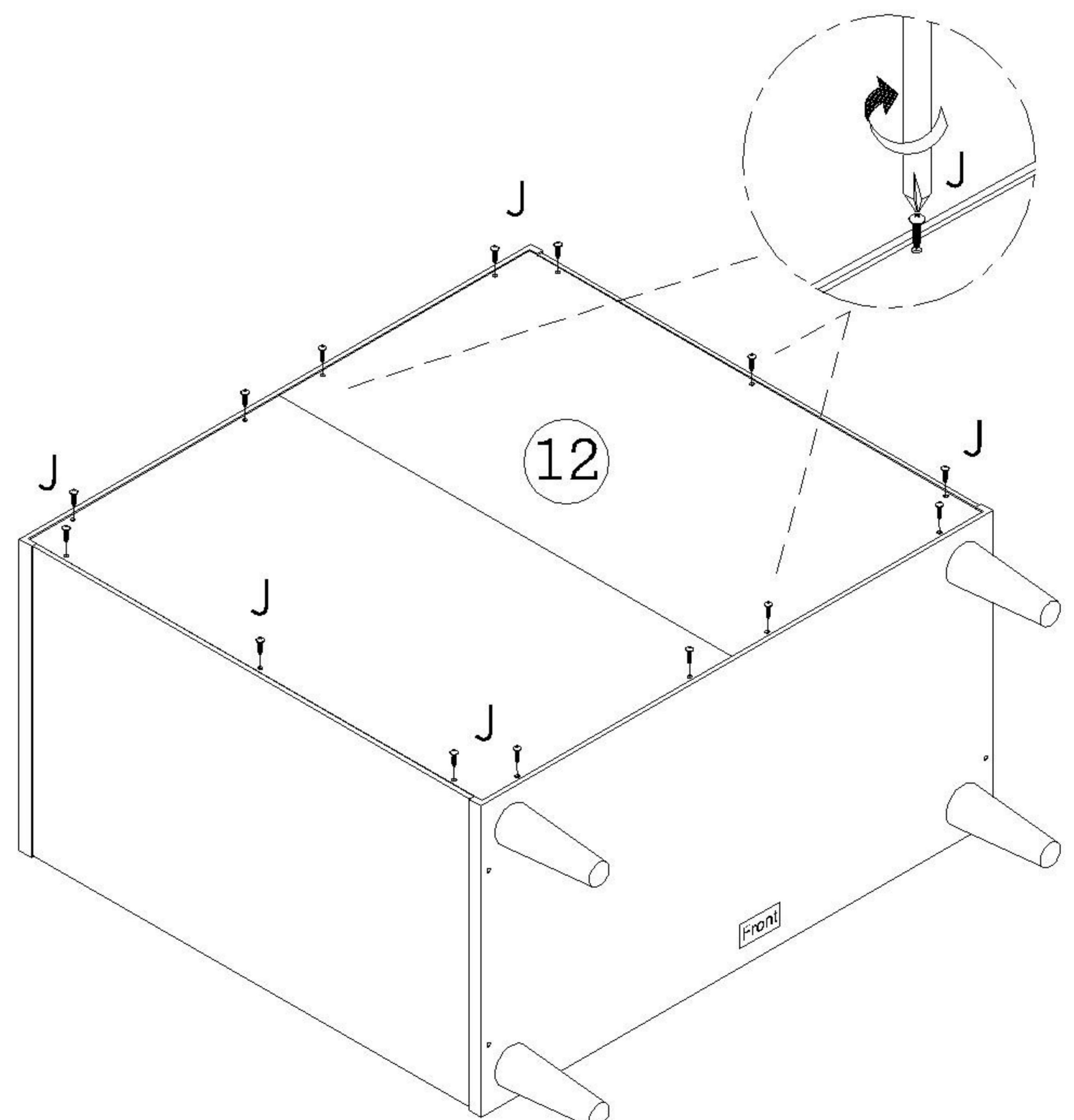
STEP 15

- A) Attach Top Panel(1) to Left,Right Side Panel(2,3) and Partition(5) secure with Cam Lock(D)
- B) Cover Cam Lock(D) with Cam Lock Cover(G)



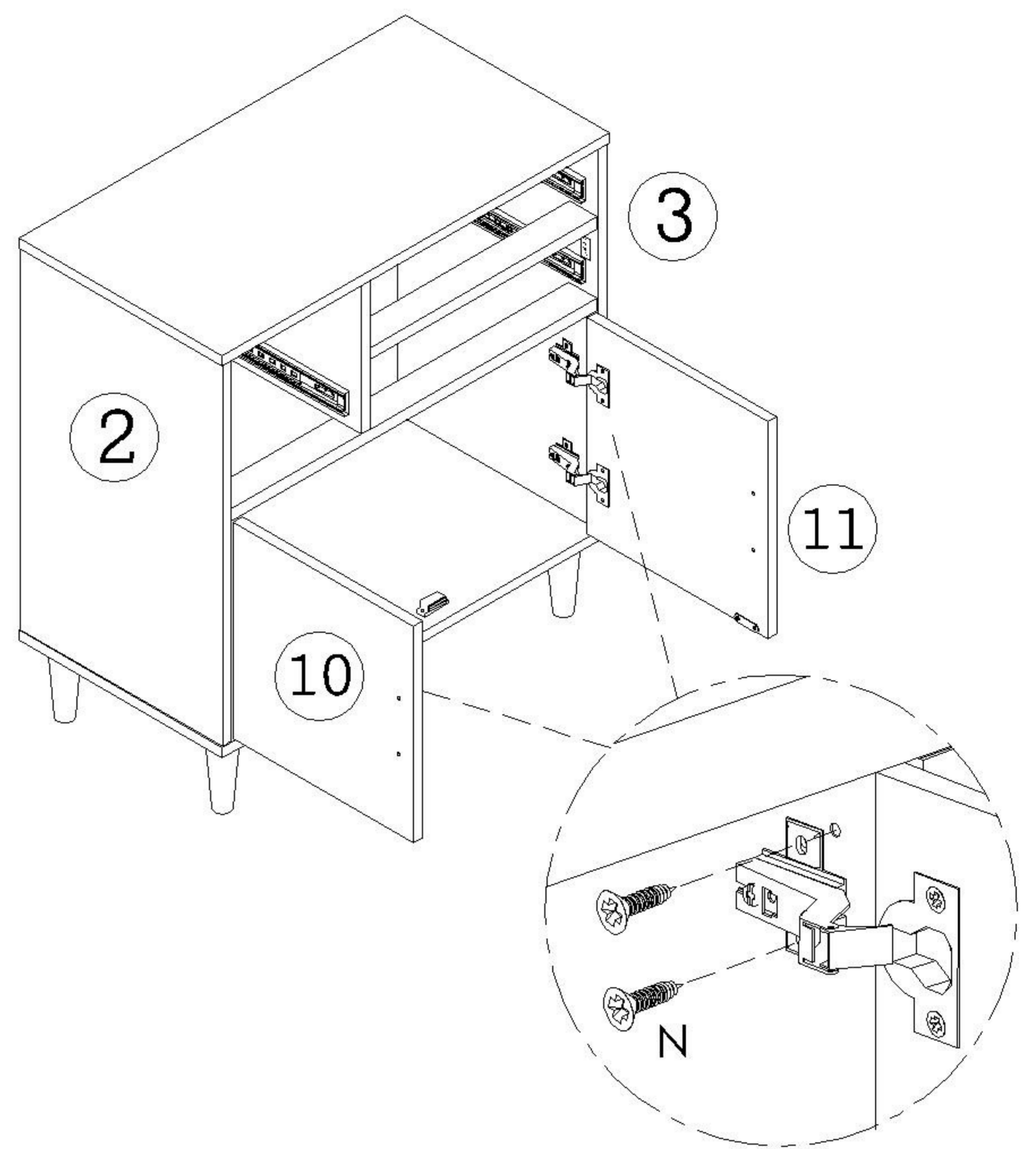
STEP 16

- A) Attach Back Plywood(12) to assembled unit using Panhead Chipboard Screw(Black)(J) to secure



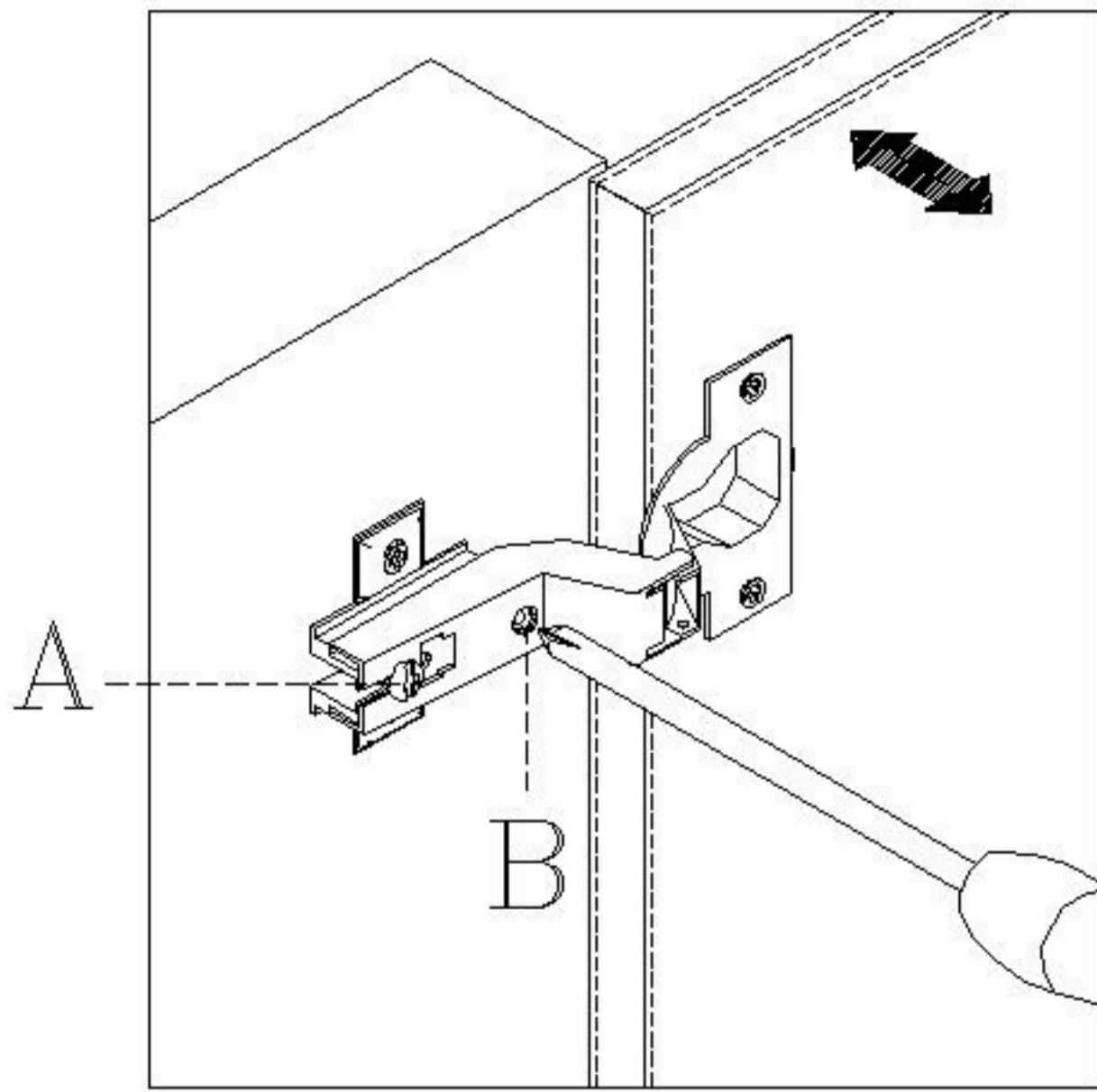
STEP 17

- A) Attach Left,Right Door(10,11) to Left,Right Side Panel(2,3) secure with Chipboard Screw(N)

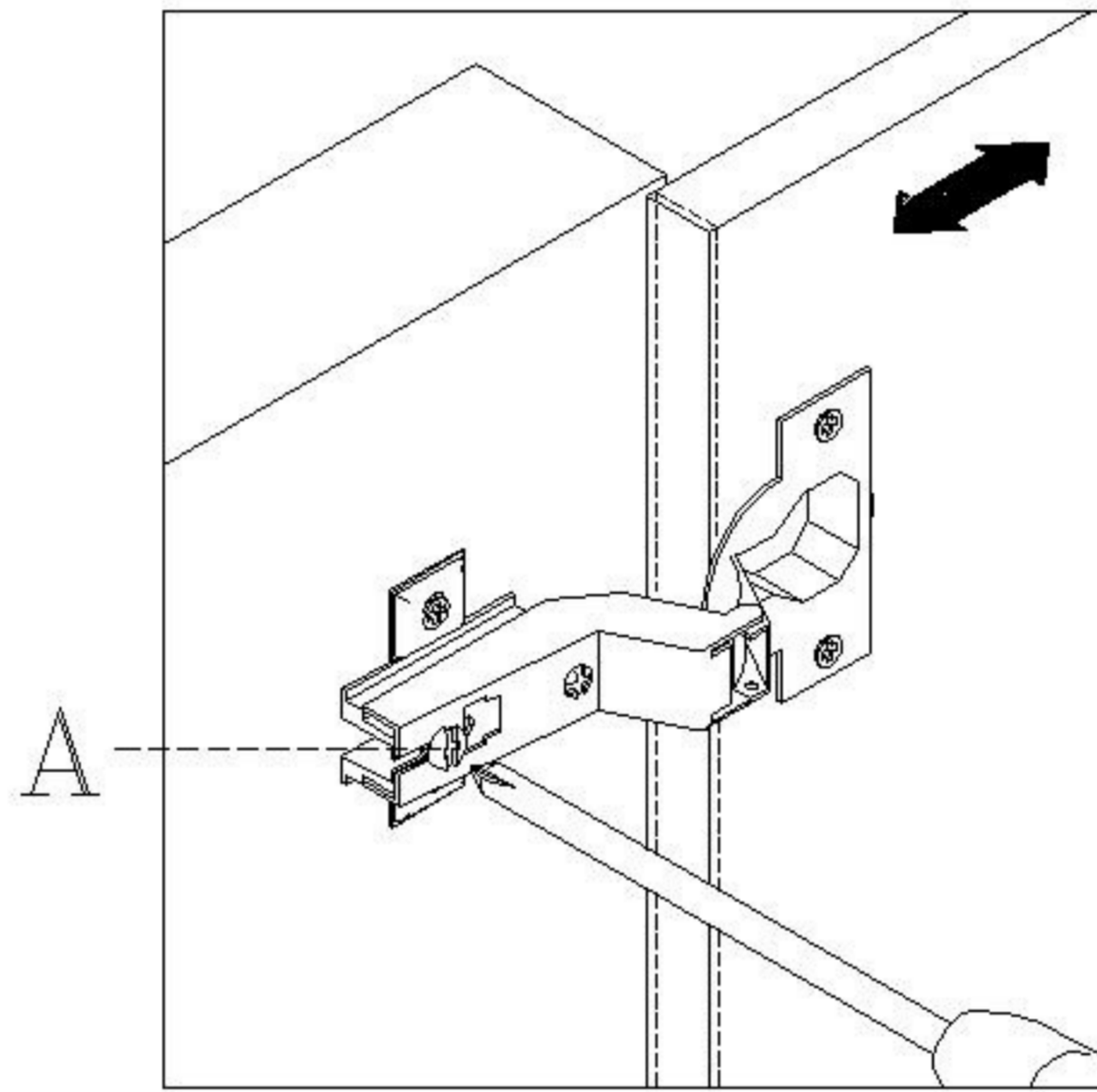


HINGE ADJUSTMENT:

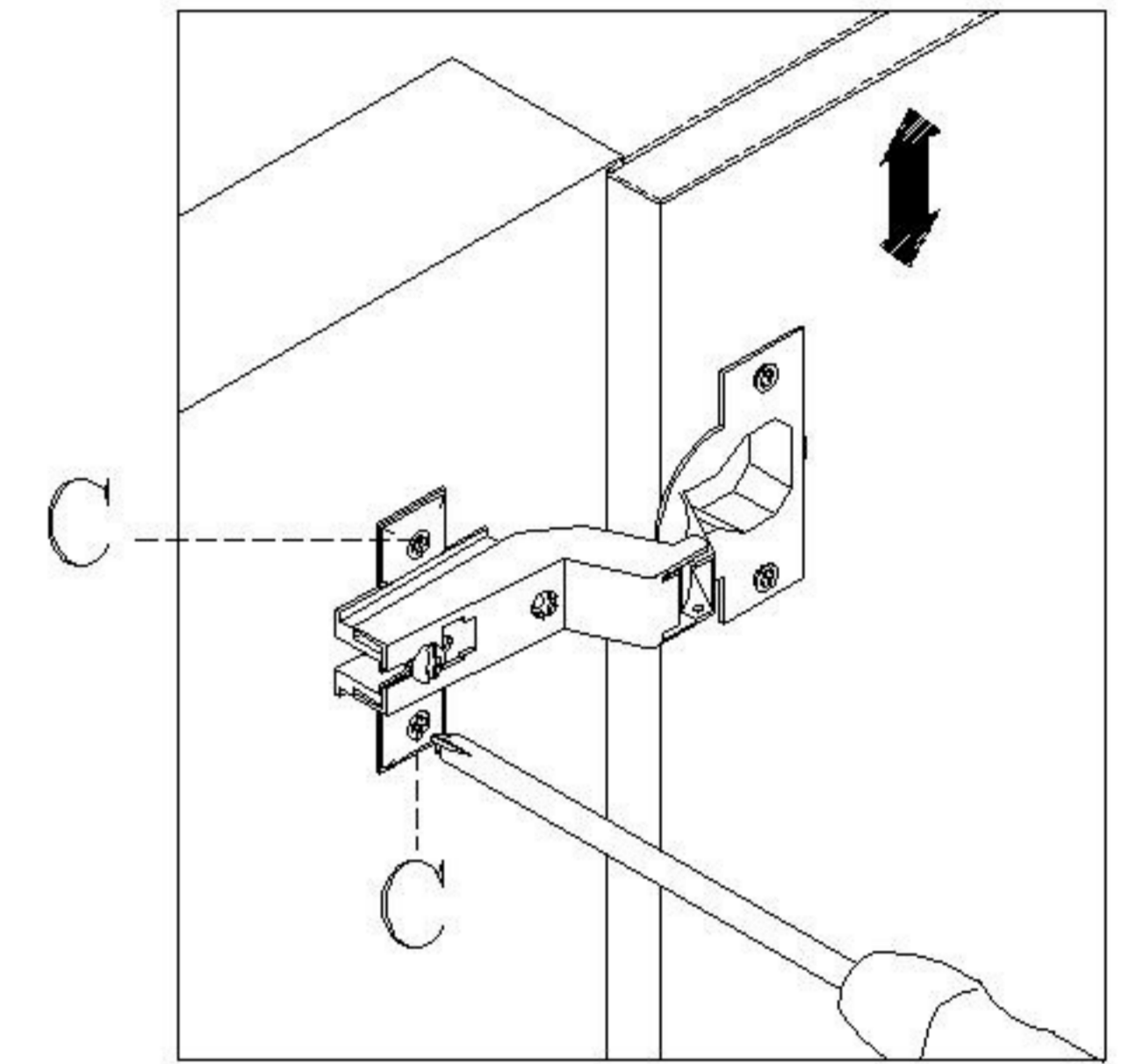
If the doors do not appear square or aligned, loosen or tighten the appropriate screws on each case hinge as illustrated.



- 1) Side to side adjustment:
Loosen Screw A, adjust gap with screw B and re-tighten Screw A



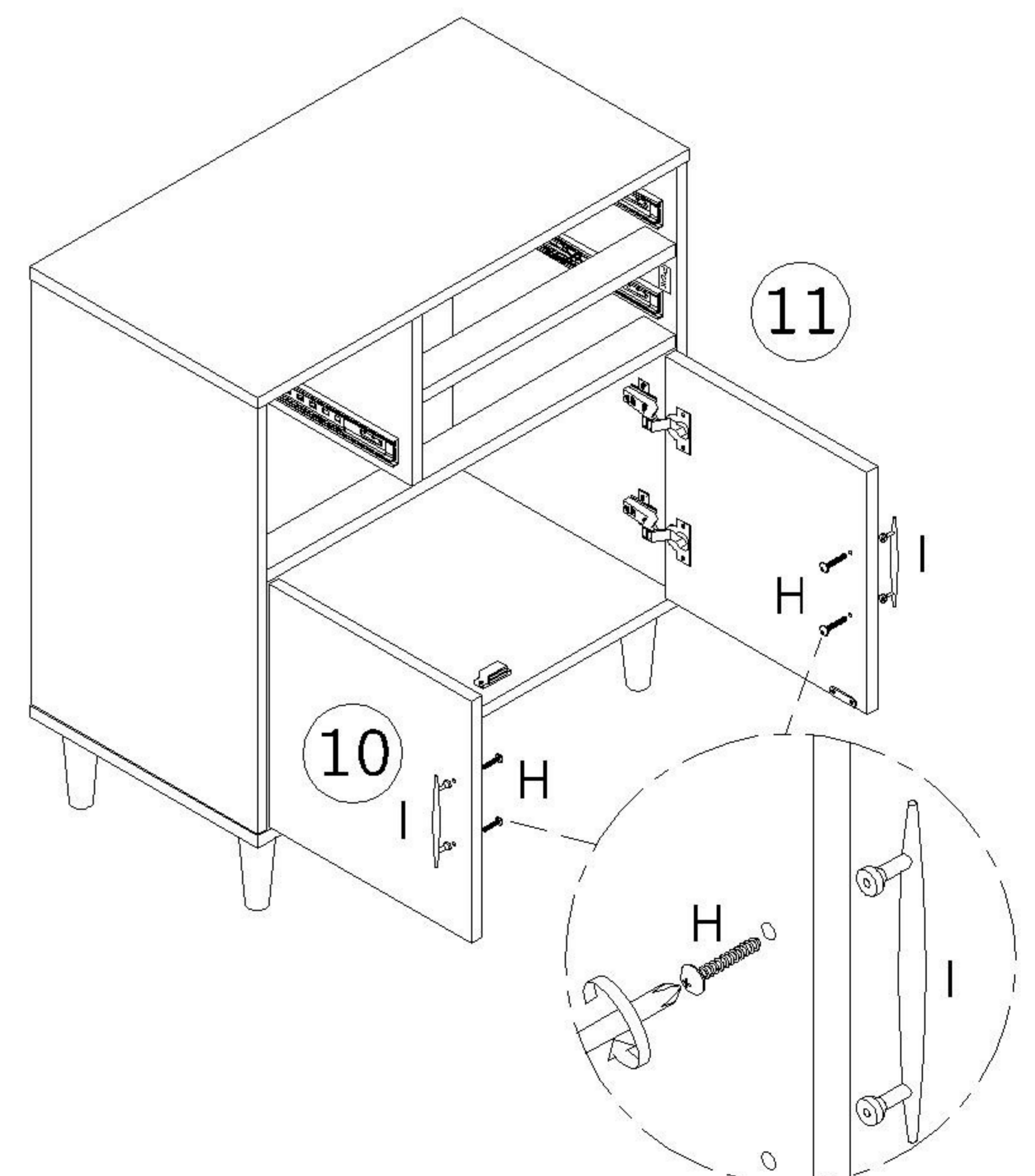
- 2) Depth adjustment:
Loosen Screw A, push hinge arm forwards or backwards, re-tighten screw A.



- 3) Height adjustment:
Loosen Screw C, adjust door height and re-tighten screw C.

STEP 18

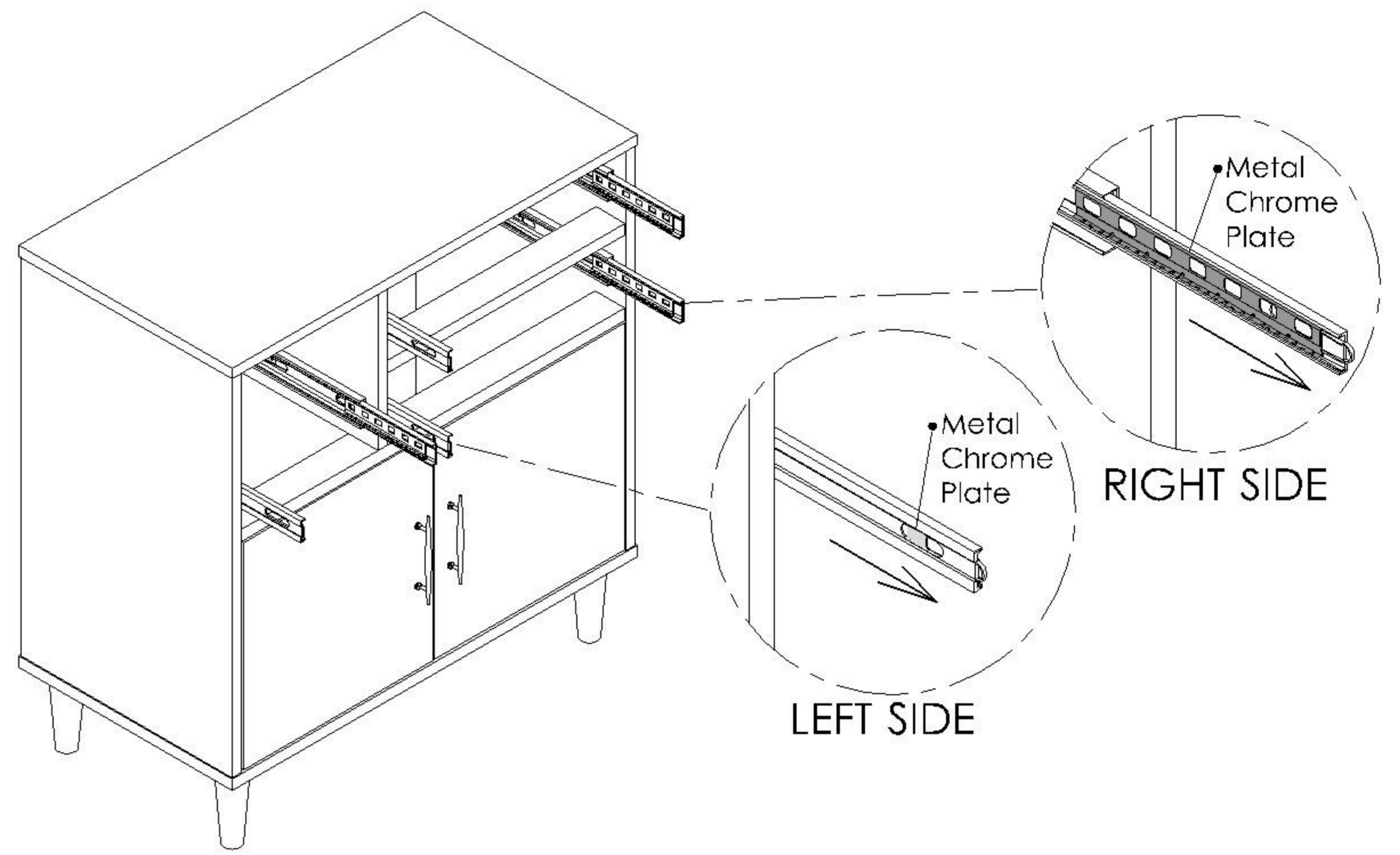
- A) Attach Handle(I) to Left,Right Door(10,11) using Panhead Screw(H) to secure



EXTENSION RUNNER ASSEMBLE STEPS:

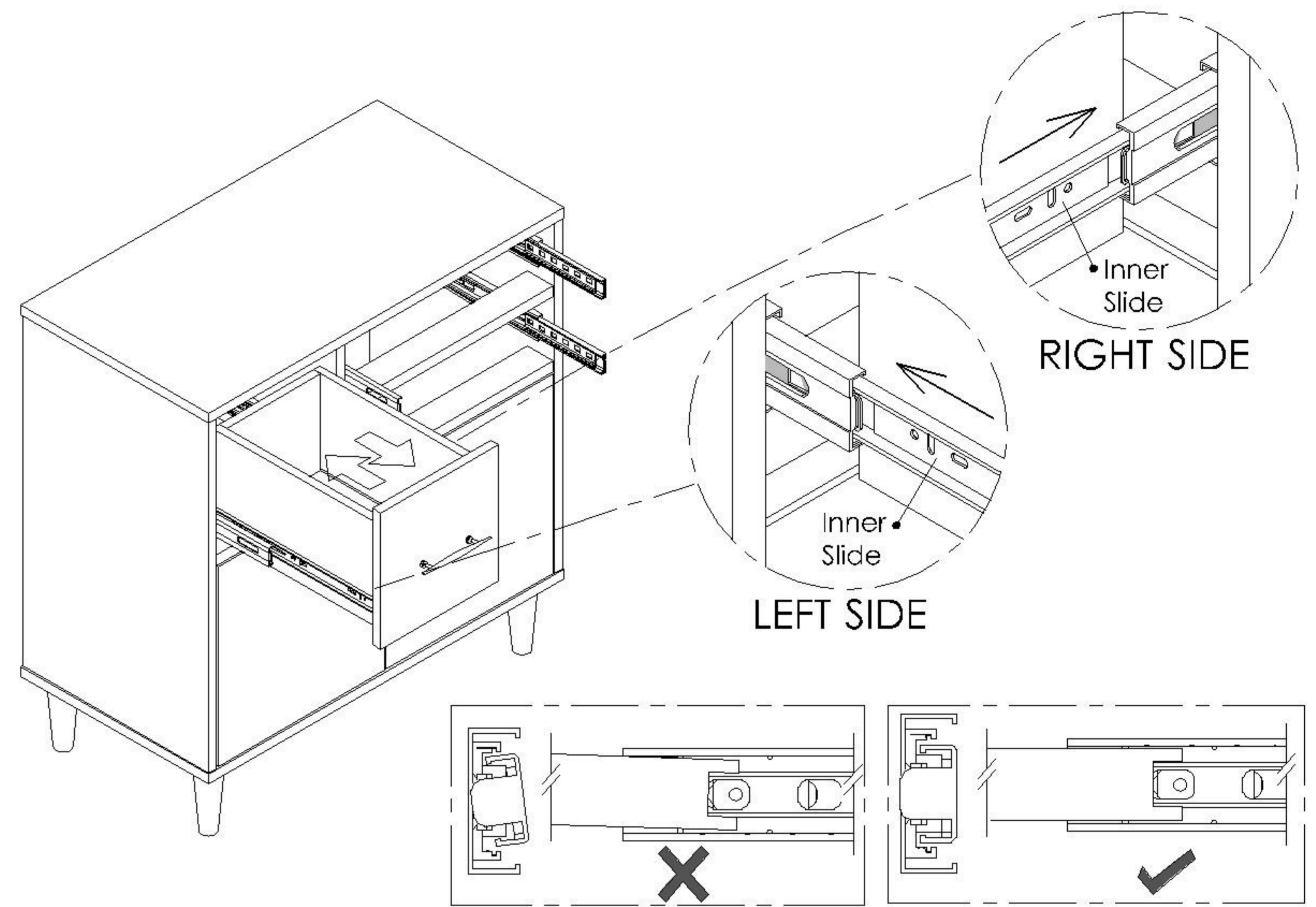
STEP 19A

- i) Pull Out Metal Chrome Plate on both sides of runner



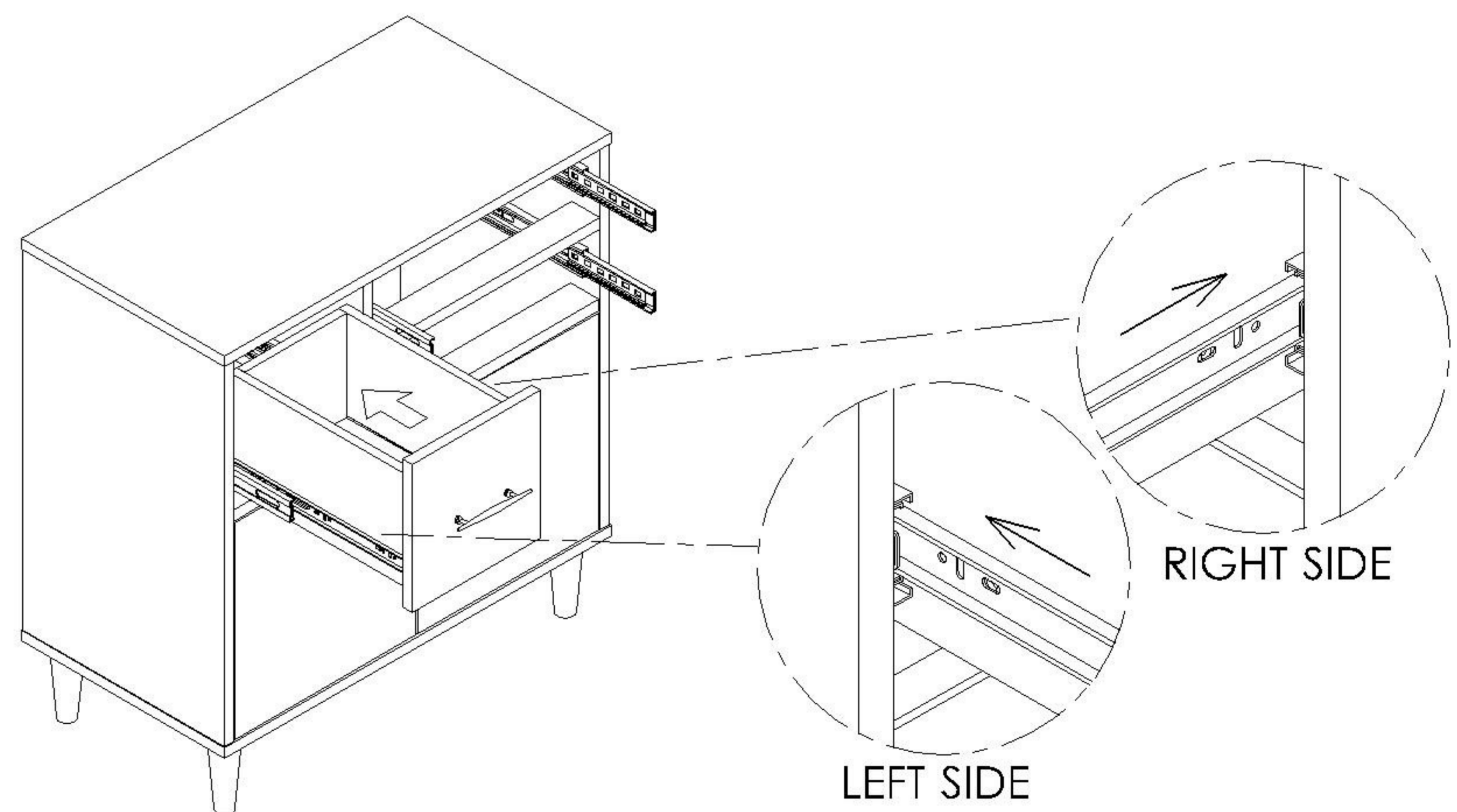
STEP 19B

- i) Align Metal Chrome Plate and Inner Slide on one side first and thereafter on the other side. Remove & repeat if it is not aligned properly
 - ii) Slowly push the drawer box into the metal track on interior side of Side Panel
- Notes : If runner is stuck on track, slightly pull/push drawer box



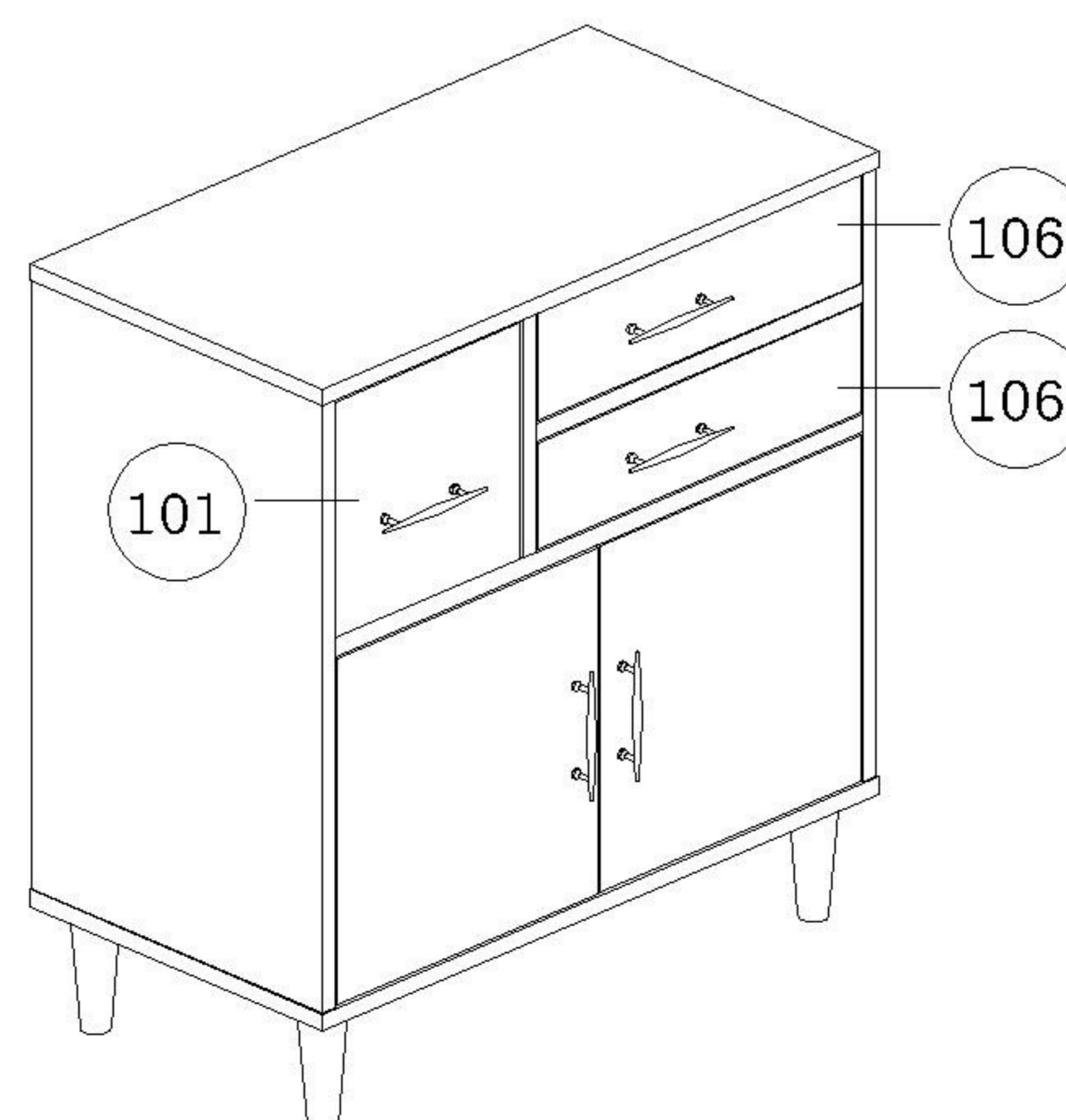
STEP 19C

- i) When both tracks are aligned properly, push the drawer box all the way in.



STEP 19D

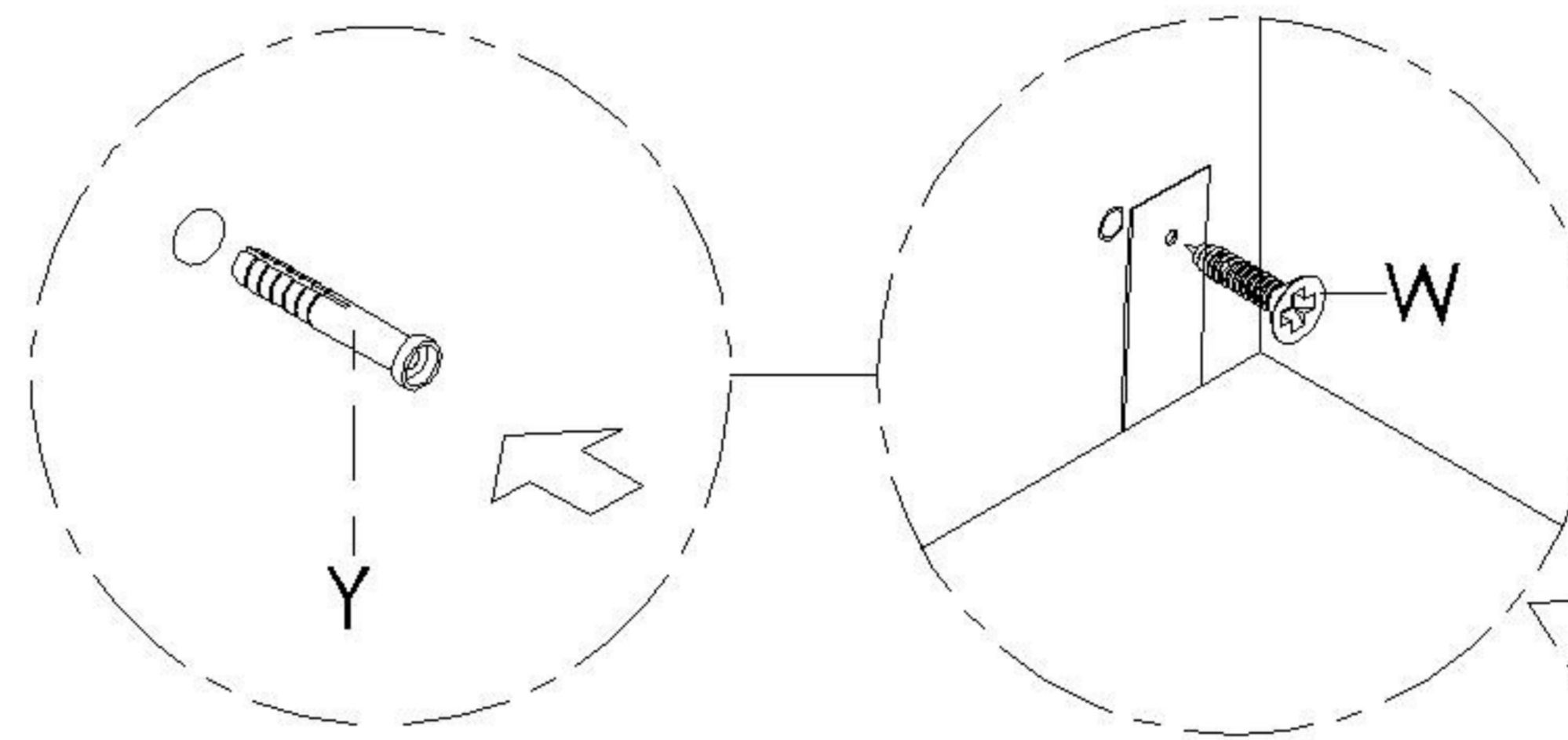
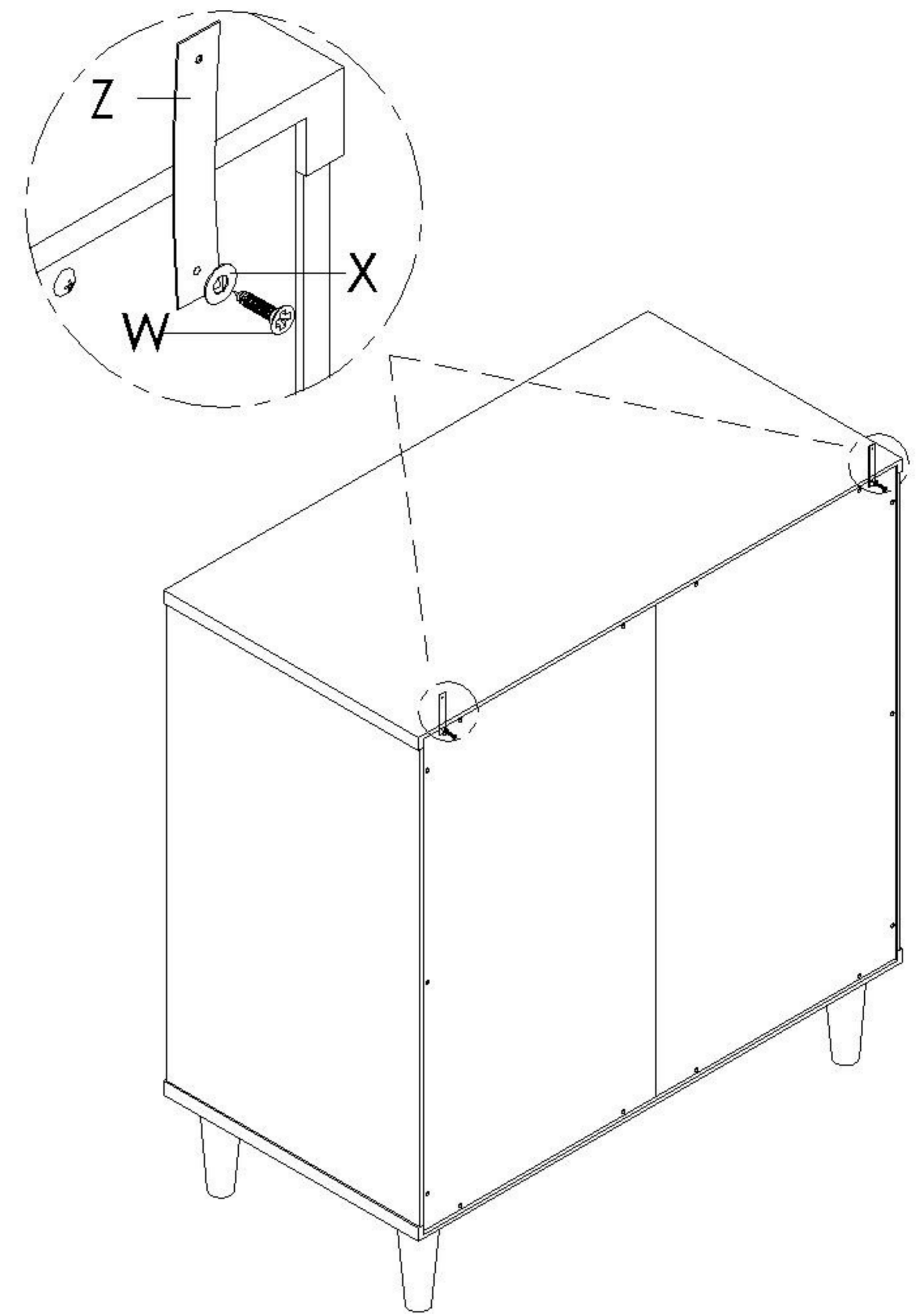
- i) Drawers should assembled as follows



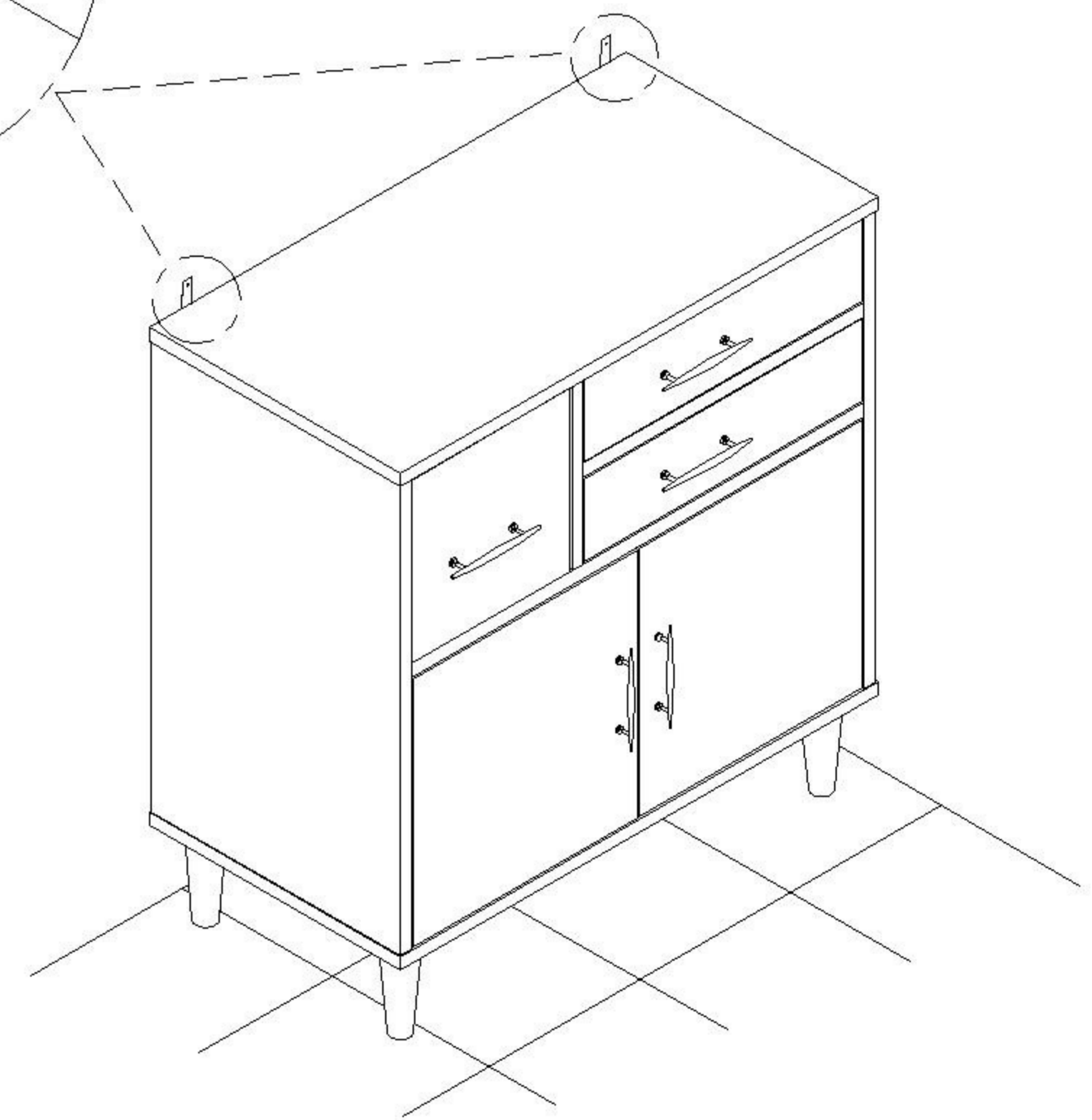
STEP 20

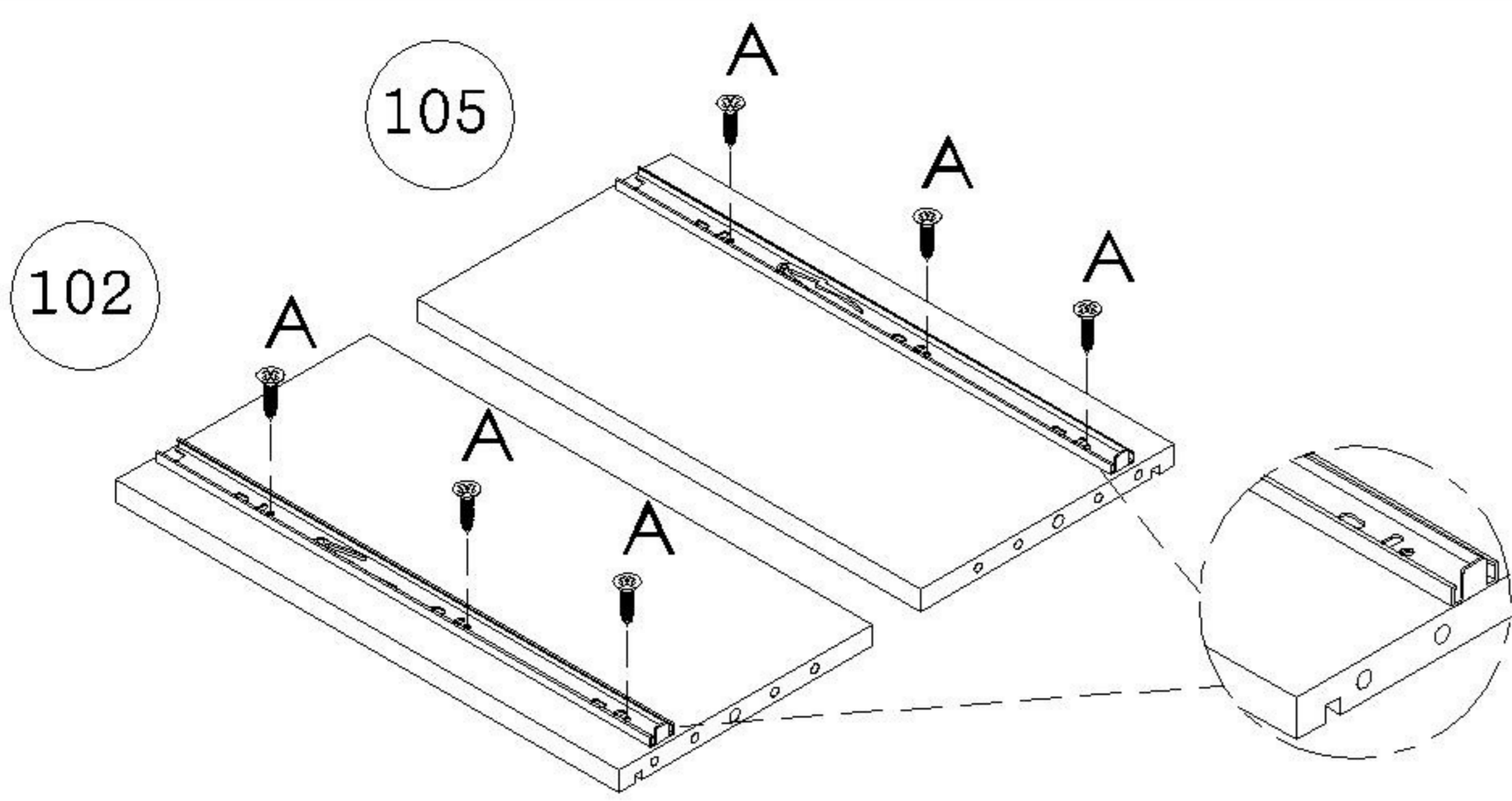
*Following step is OPTIONAL. Follow these steps if you wish to secure unit to a wall for added safety

- i) Attach Safety Belt(Z) to Back Plywood and secure using Flat Washer(X) Chipboard Screw(W) to secure

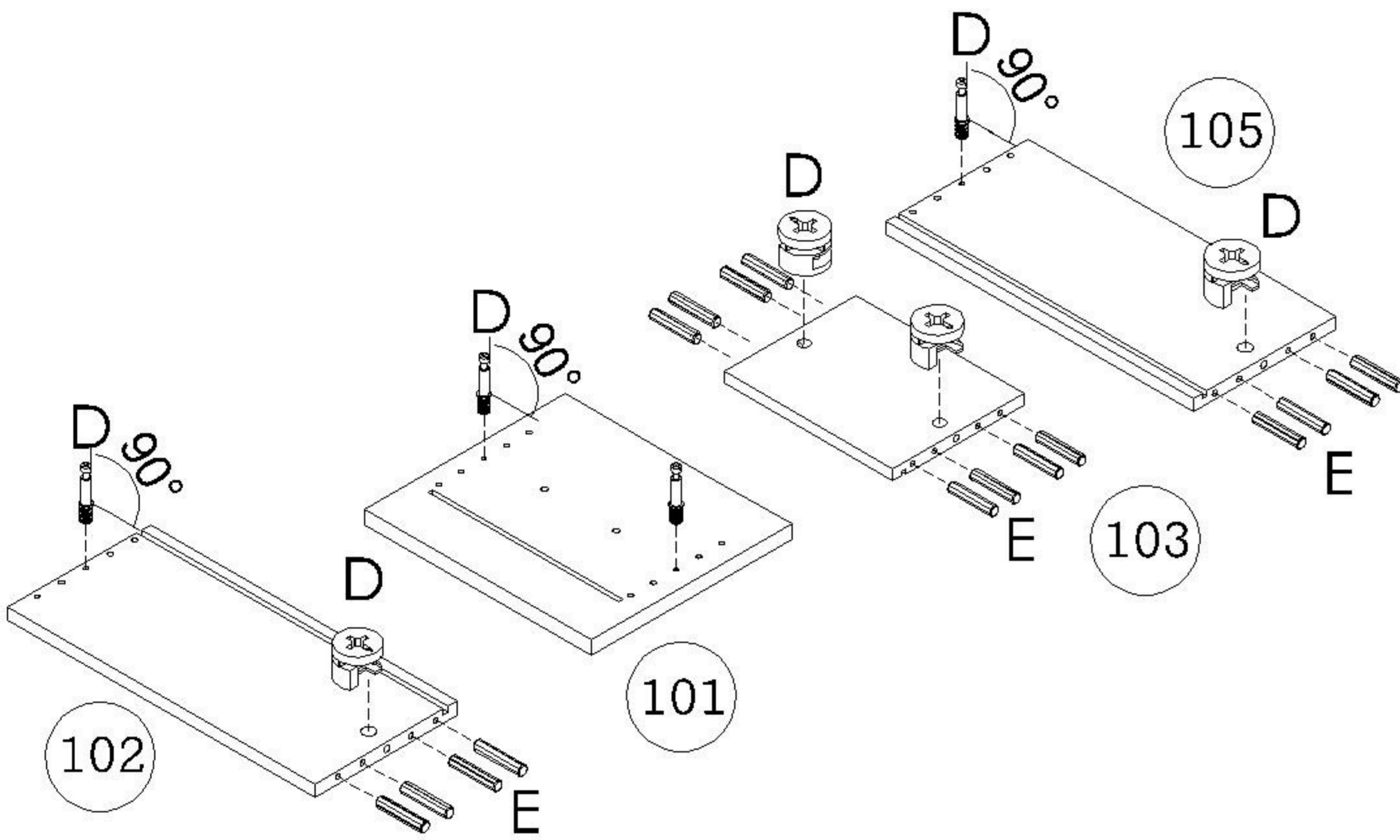
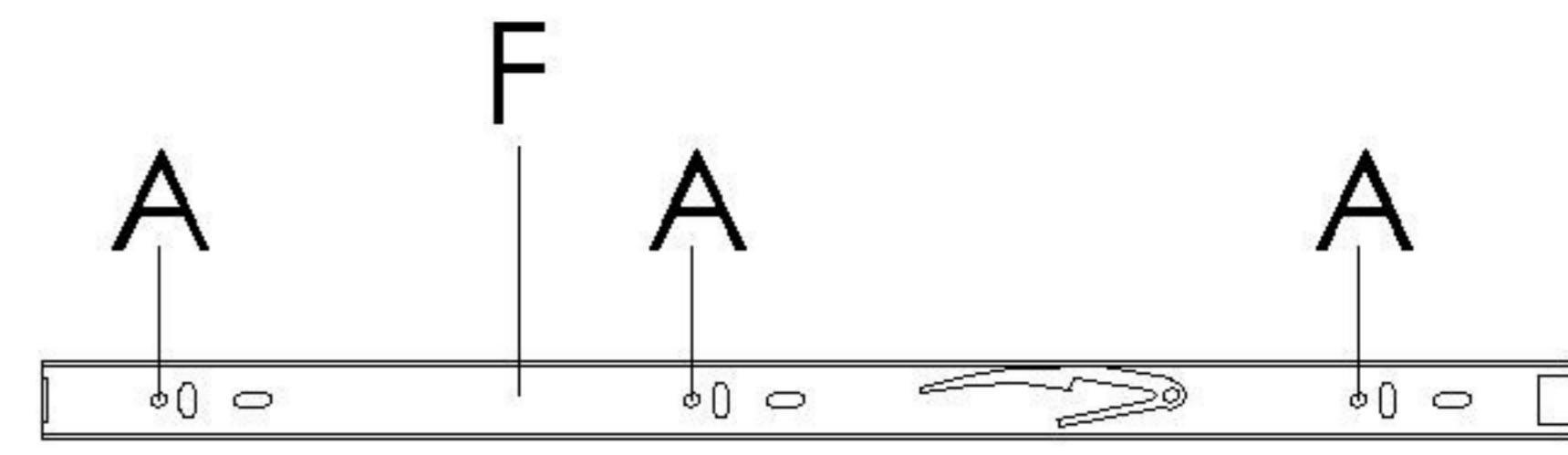


- ii) Drill a hole at the wall, insert Screw Plug(Y) into hole
- iii) Move assembled unit to wall and Screw in Safety Belt(Z) using Chipboard Screw(W)

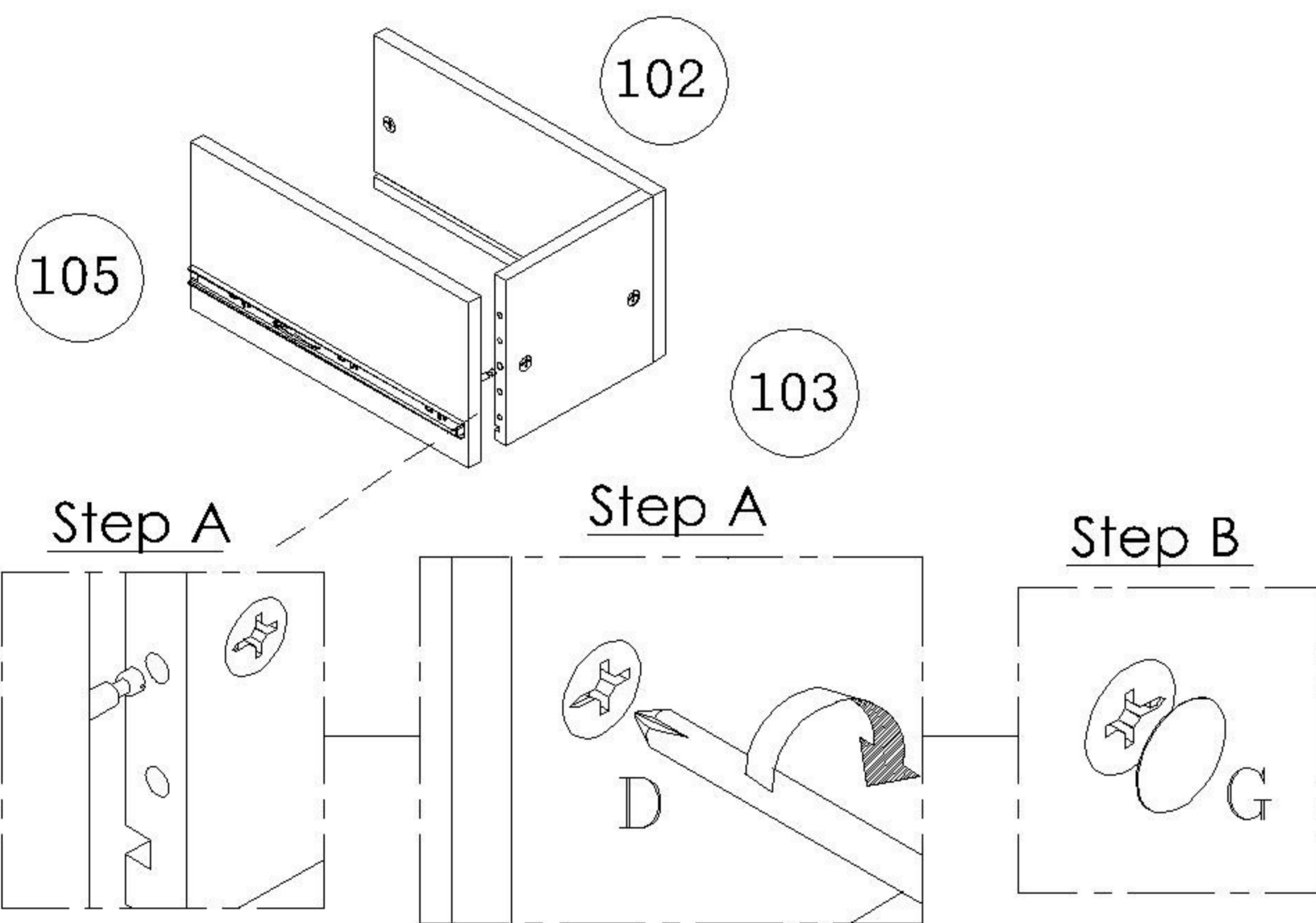




- A) Attach Extension Runner(F) to Left,Right Small Drawer Side (102,105) using Chipboard Screw(A) to secure

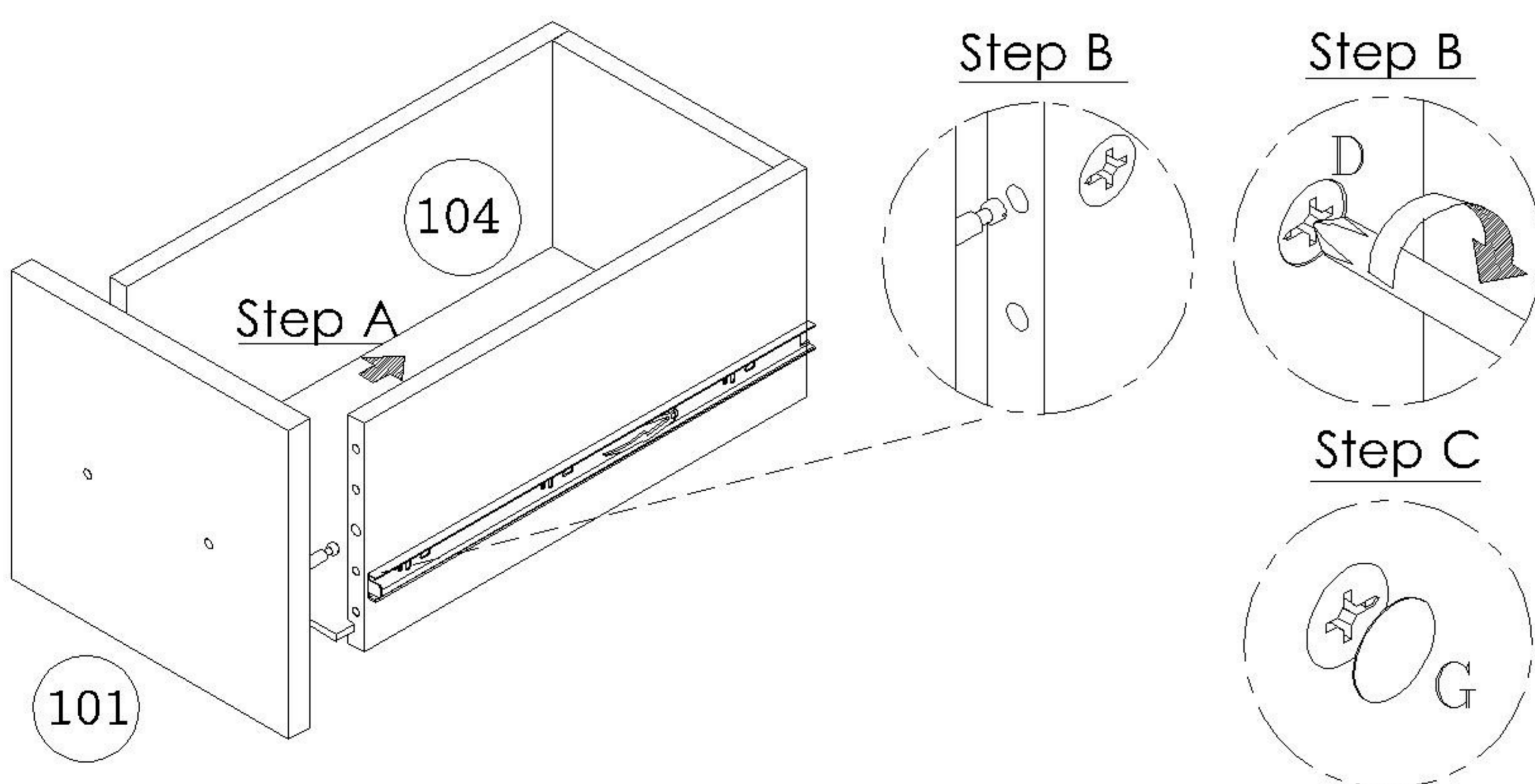


- A) Insert Wood Dowel(E) to Left,Right Small Drawer Side(102,105) & Small Drawer Back(103)
- B) Attach Cam Lock(D) to Left,Right Small Drawer Side(102,105) & Small Drawer Back(103)
- C) Attach Cam Bolt(D) to Small Drawer Front(101) Left,Right Small Drawer Side(102,105)

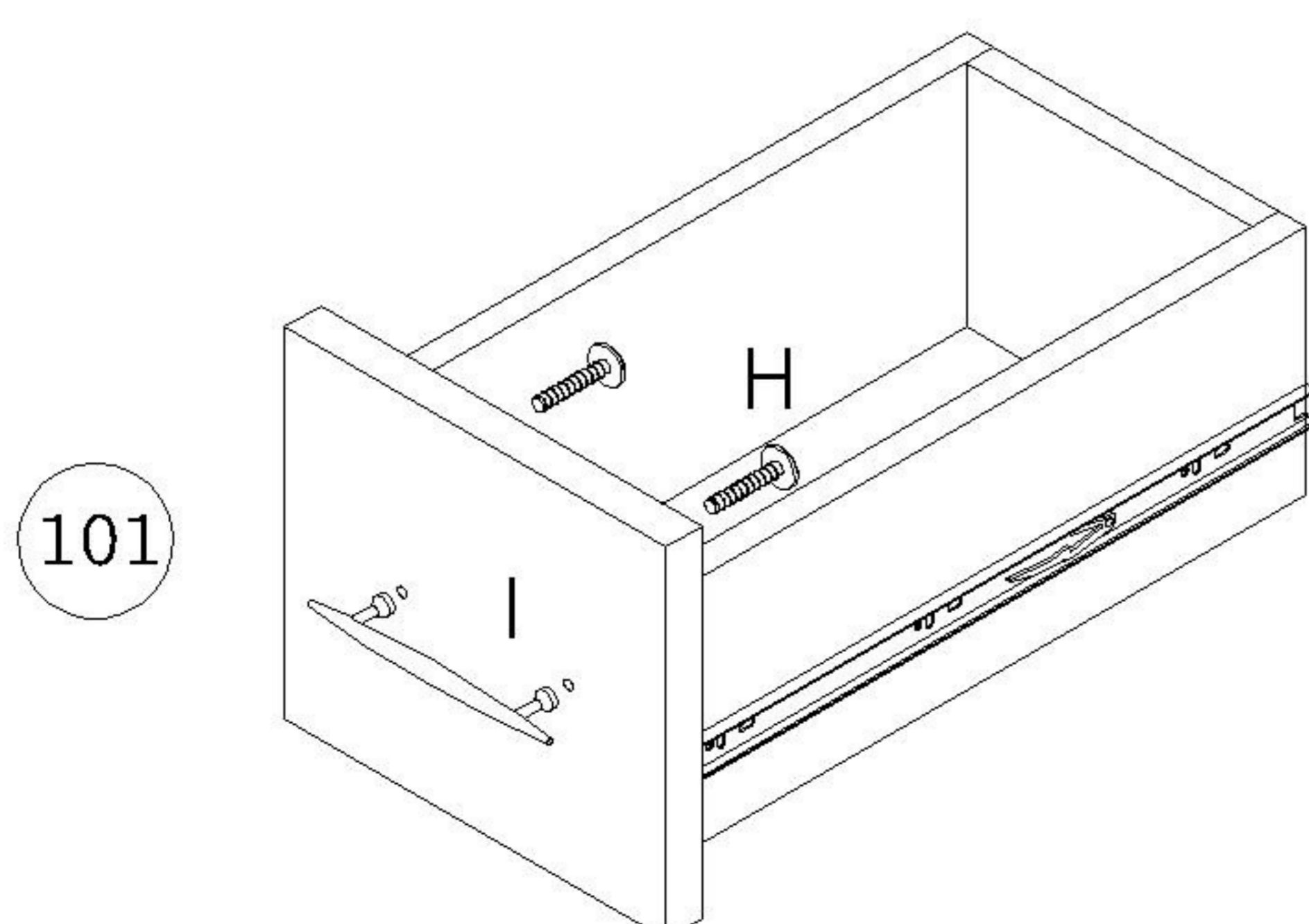


- A) Attach Left,Right Small Drawer Side(102,105) to Small Drawer Back(103) secure with Cam Lock(D)
- B) Using Cam Lock Cover(G) to cover Cam Lock(D)

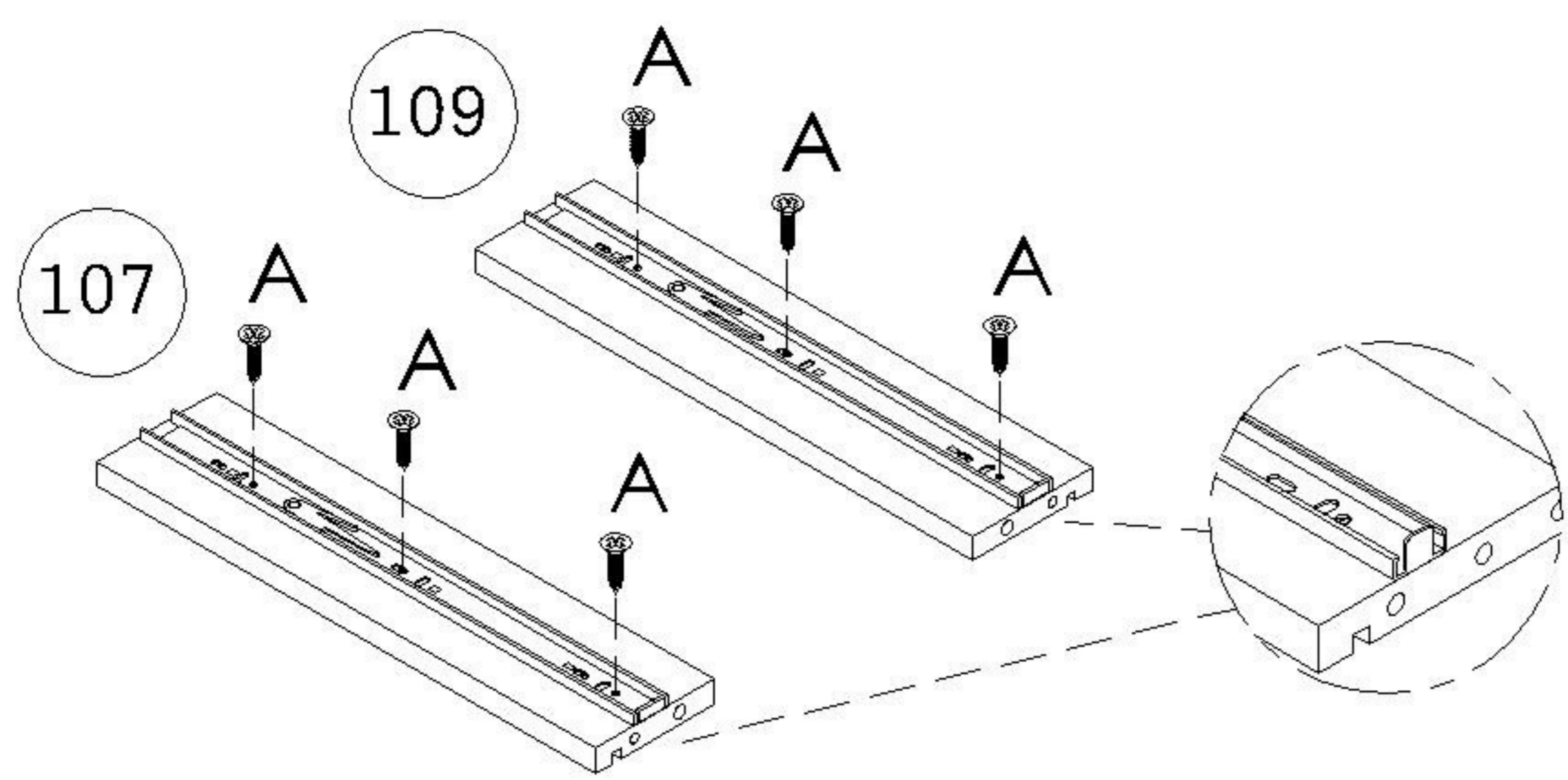
NOTE : Make sure arrows on each Cam Lock point towards nearest edge with holes



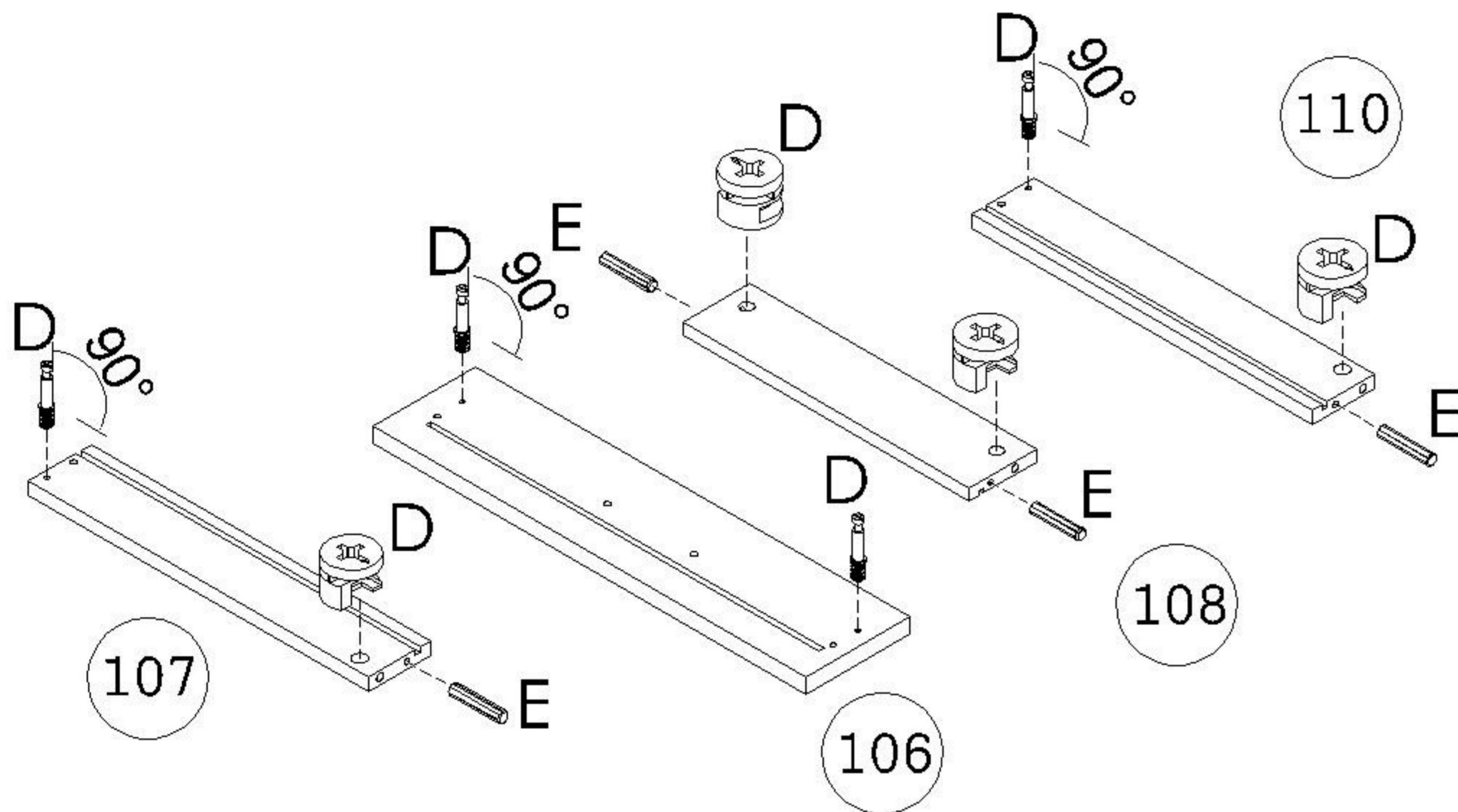
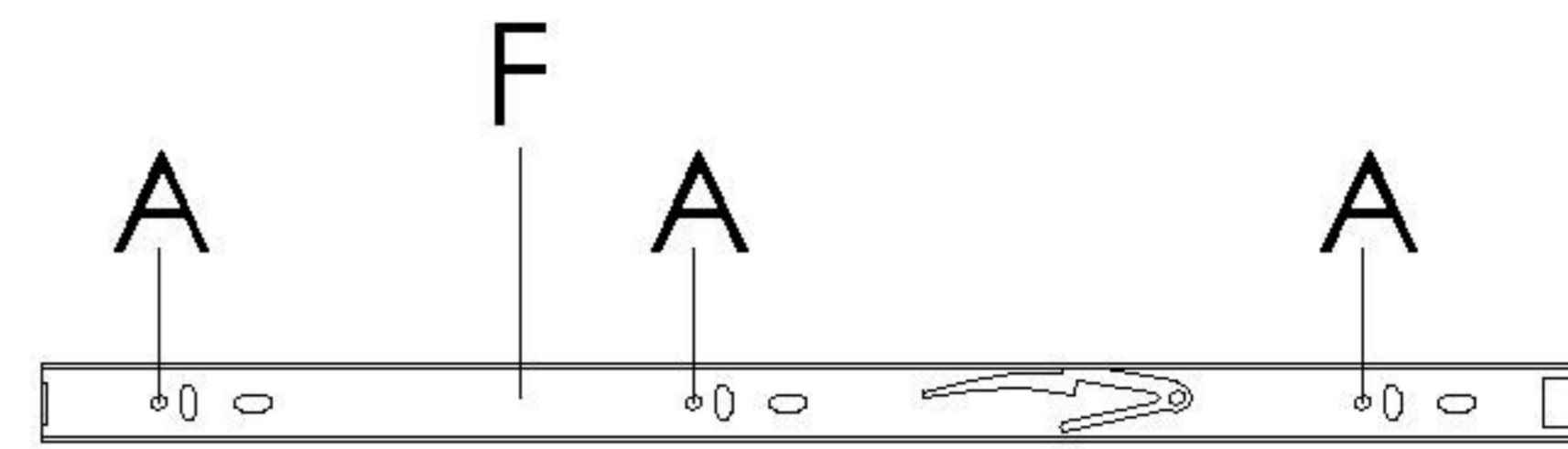
- A) Slot in Small Drawer Base(104) in corresponding grooves
- B) Attach Small Drawer Front(101) to Drawer Box secure with Cam Lock(D)
- C) Using Cam Lock Cover(G) to Cover Cam Lock(D)



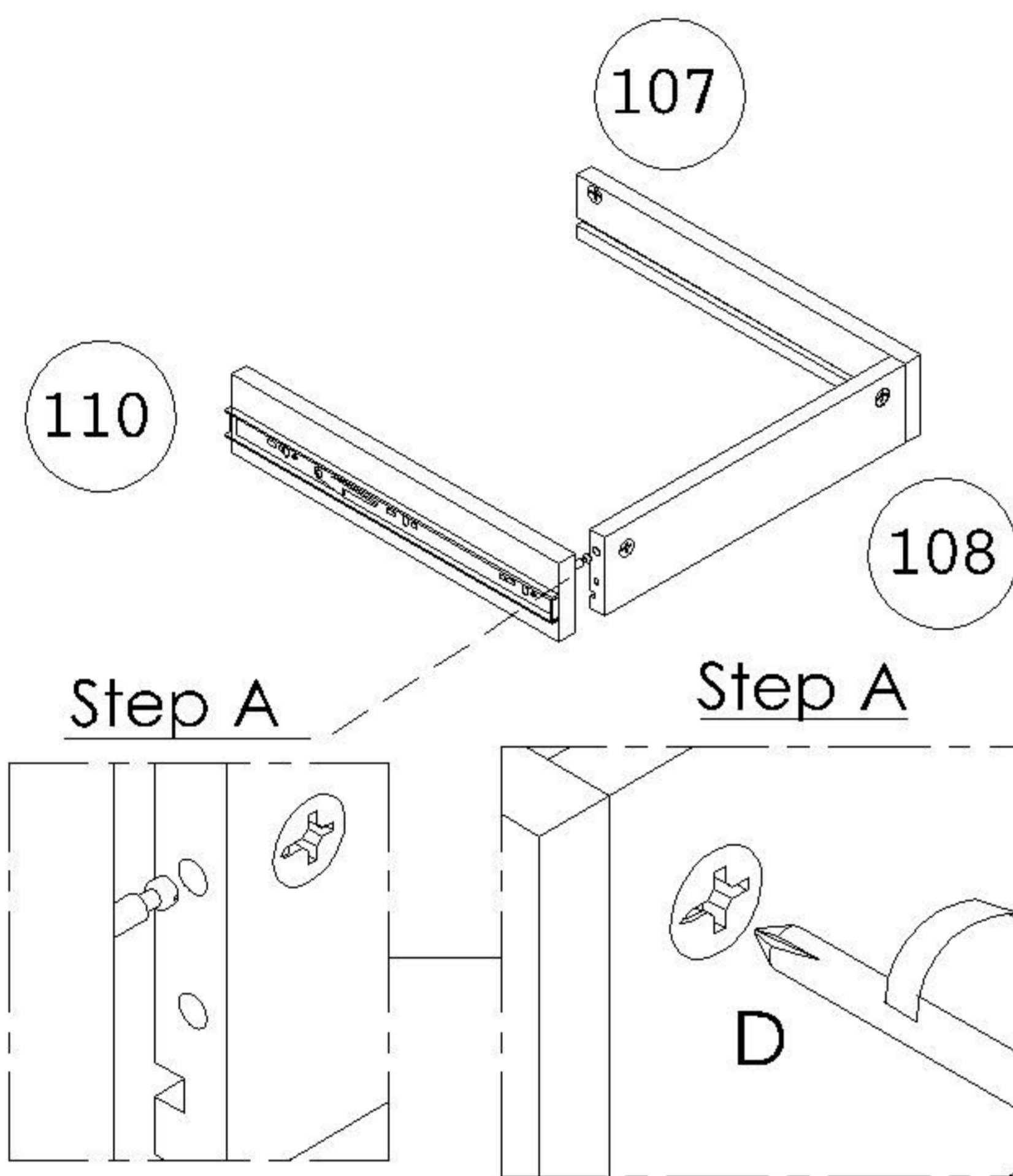
- A) Attach Handle(I) to Small Drawer Front(101) secure using Panhead Screw(H)



A) Attach Extension Runner(F) to Big Left,Right Drawer Side (107,109) using Chipboard Screw(A) to secure

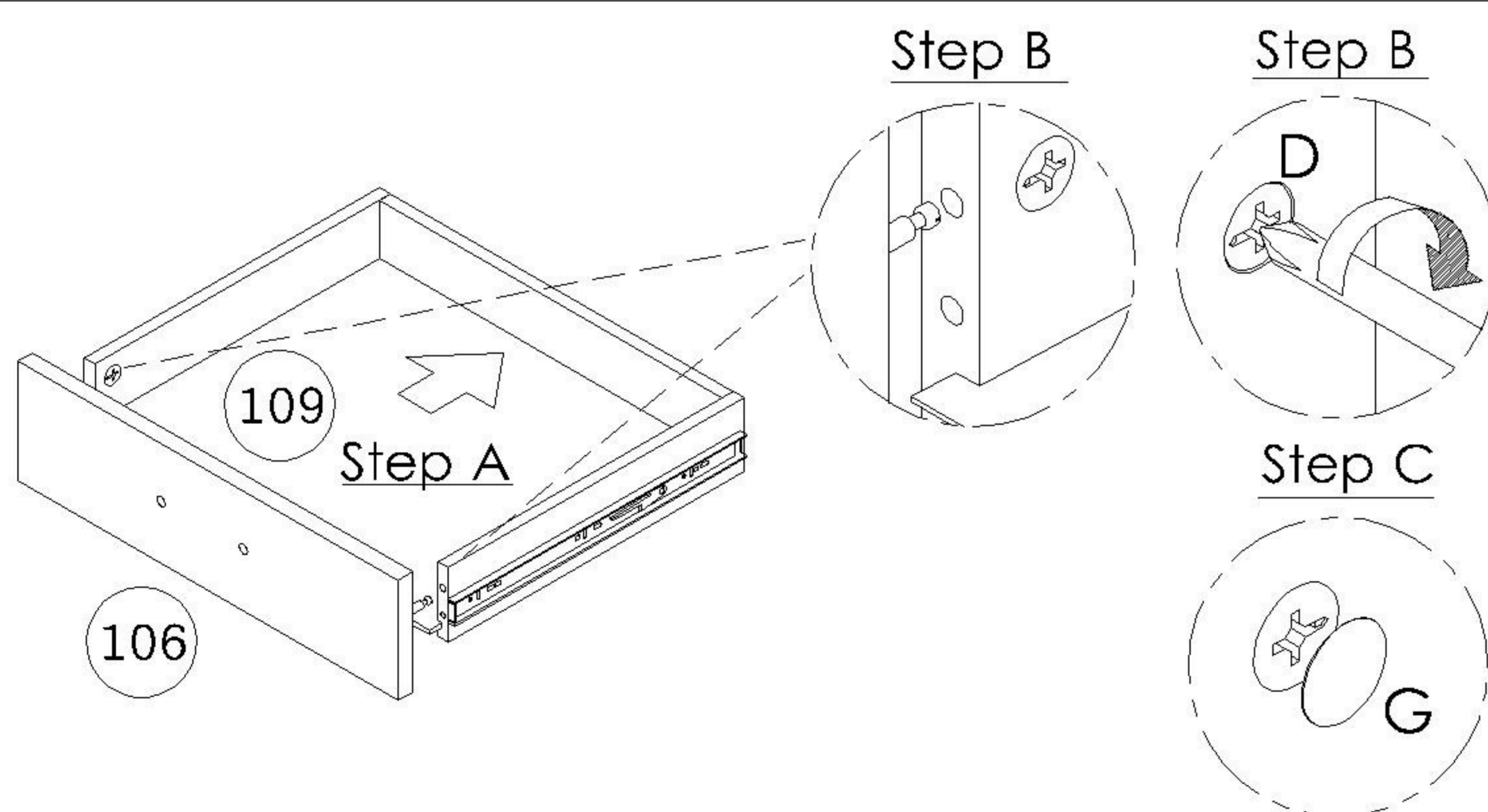


A) Insert Wood Dowel(E) to Left,Right Big Drawer Side(107,110) & Big Drawer Back(108)
 B) Attach Cam Lock(D) to Left,Right Big Drawer Side(107,110) & Big Drawer Back(108)
 C) Attach Cam Bolt(D) to Big Drawer Front(106) Left,Right Big Drawer Side(107,110)

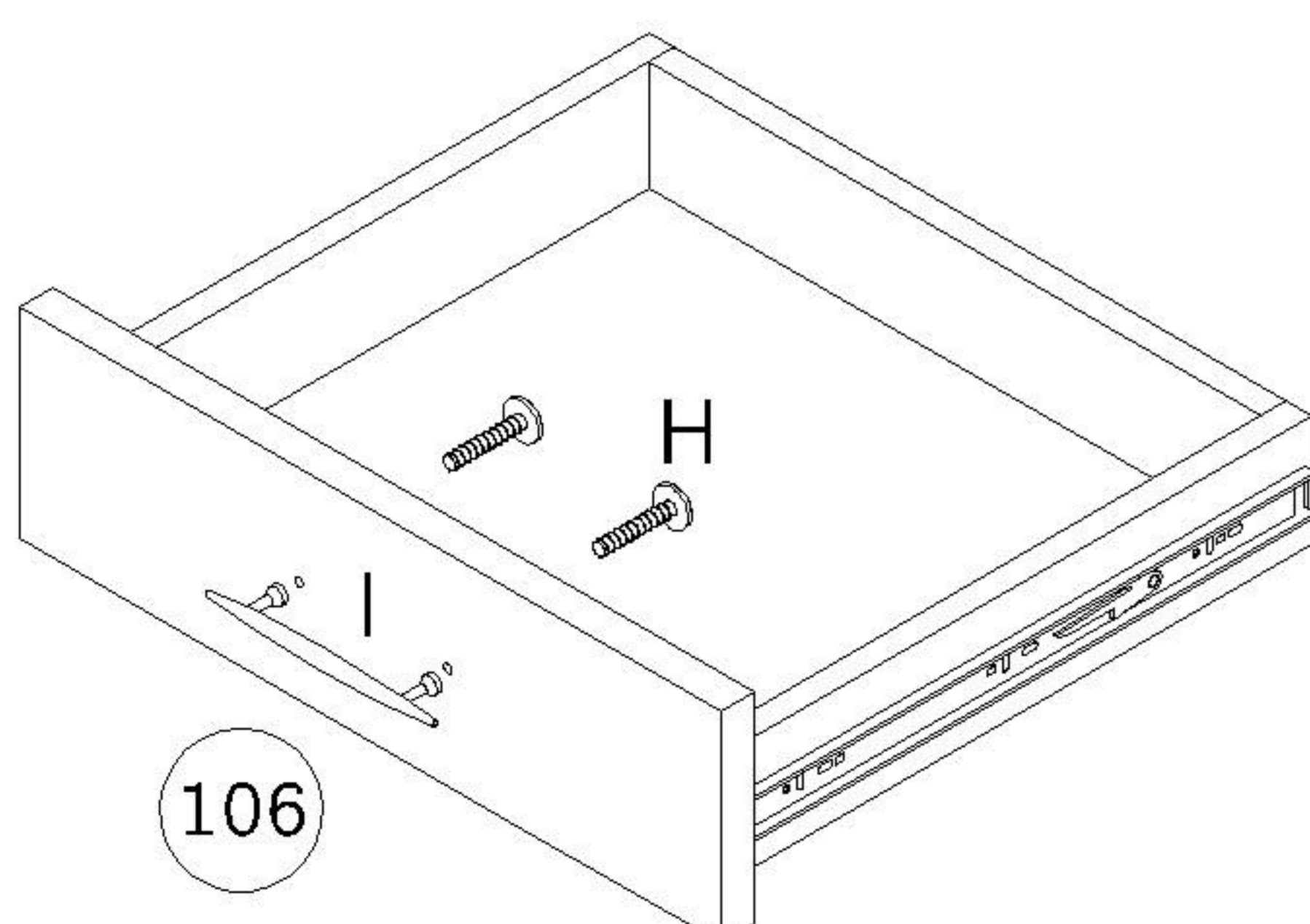


A) Attach Left,Right Big Drawer Side(107,110) to Big Drawer Back(108) secure with Cam Lock(D)
 B) Using Cam Lock Cover(G) to cover Cam Lock(D)

NOTE : Make sure arrows on each Cam Lock point towards nearest edge with holes



A) Slot in Big Drawer Base(109) in corresponding grooves
 B) Attach Big Drawer Front(106) to Drawer Box secure with Cam Lock(D)
 C) Using Cam Lock Cover(G) to Cover Cam Lock(D)



A) Attach Handle(I) to Big Drawer Front(106) secure using Panhead Screw(H)