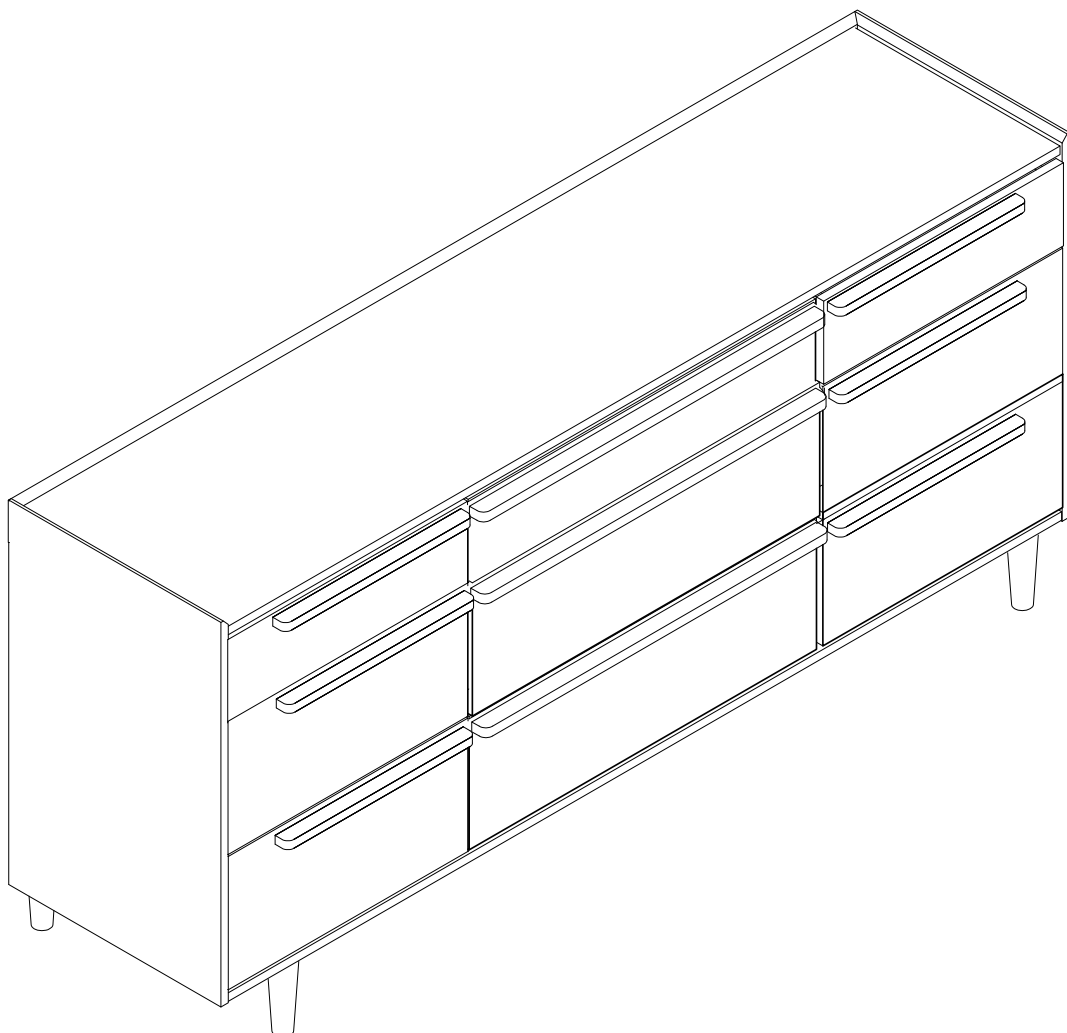
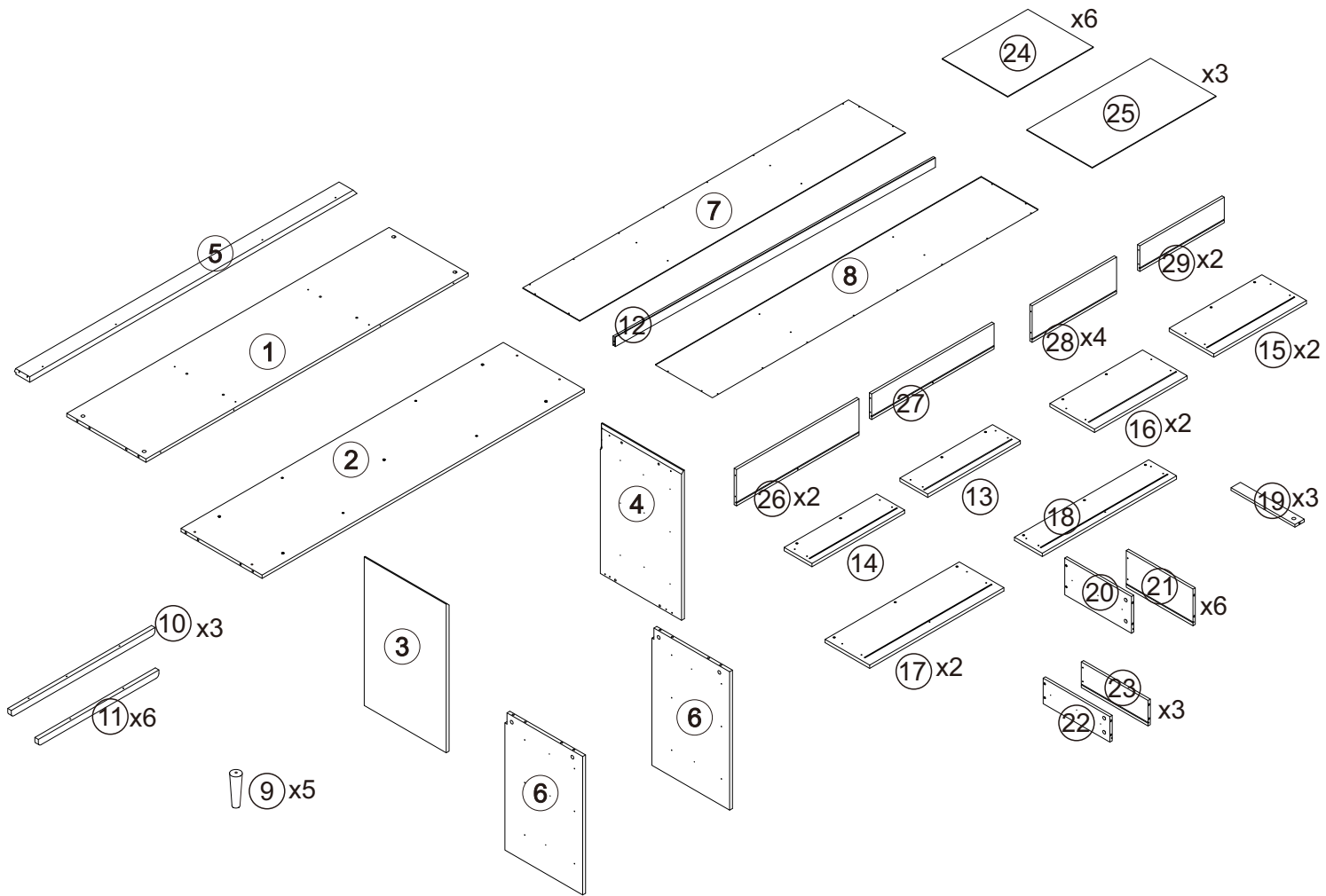


ASSEMBLY INSTRUCTION

Dresser WF298995AAG&WF298998AAG

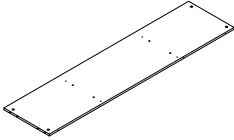
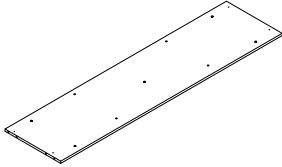
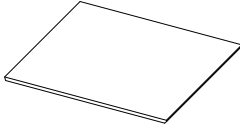
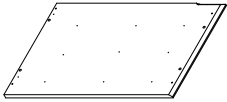
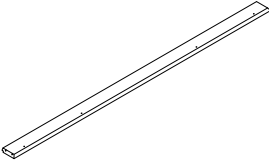
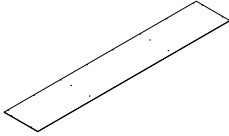
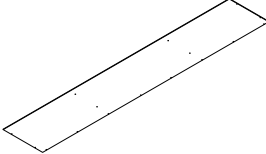
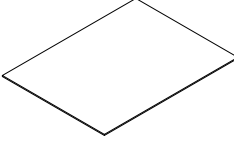
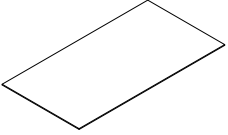
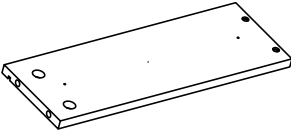
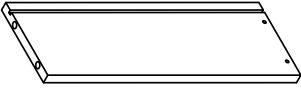
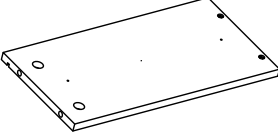
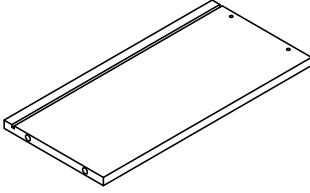
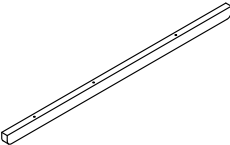
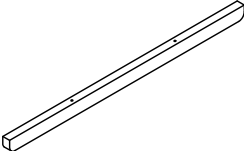
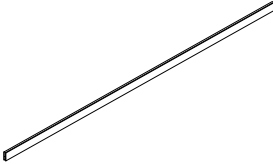
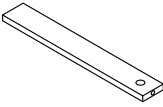




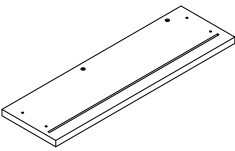
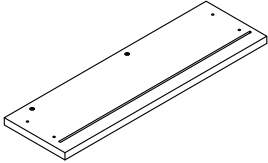
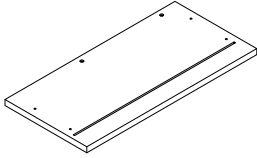
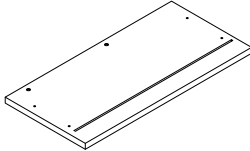
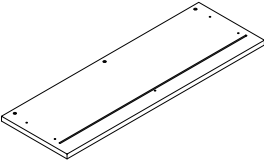
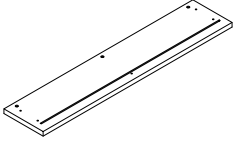
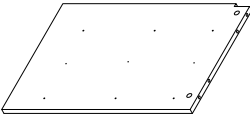

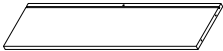
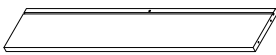

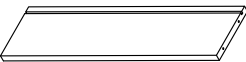
Box WF298998AAG

Ax18	Bx116	Cx51	Dx64	Ex16
Fx51	Gx32	Hx129	Ix2	Jx2
Kx6	Lx2	Mx5	Nx5	Ox1
Px4	Qx4	Rx1		

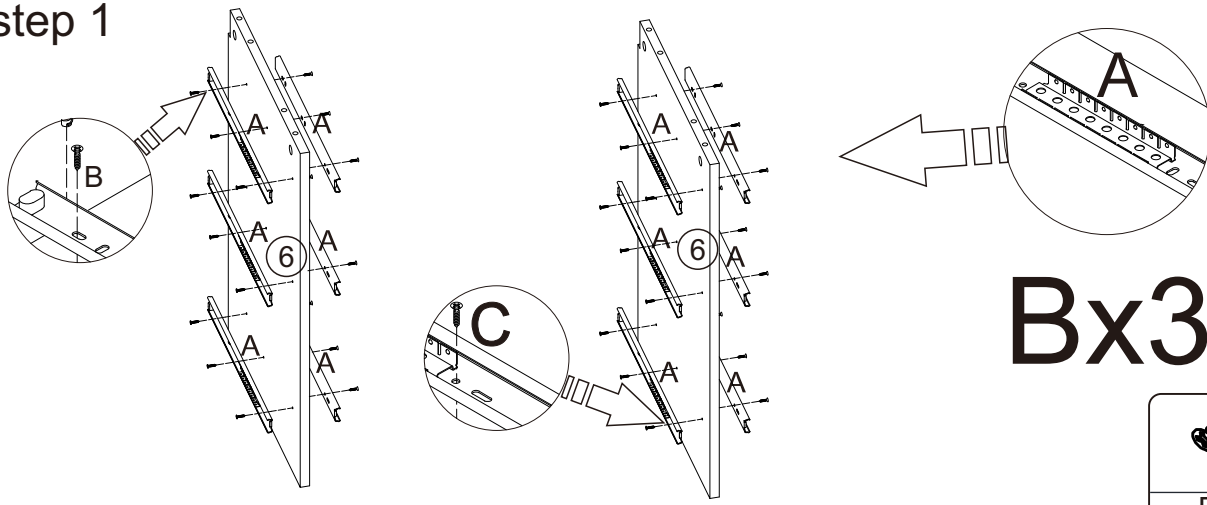
Box WF298995AAG

				
① X1	② X1	③ X1	④ X1	
				
⑤ X1	⑦ X1	⑧ X1	⑲ X6	⑲ X3
				
⑲ X3	⑲ X3	⑲ X6	⑲ X6	
				
⑩ x3	⑪ x6	⑫ x1	⑲ X3	

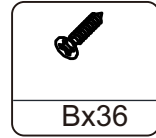
Box WF298998AAG

				
⑬ X1	⑭ X1	⑮ X2	⑯ x2	
				
⑰ x2	⑱ X1	⑥ X2	⑨ x5	⑳ x2
				
⑳ X1	㉘ x4	㉙ x2		

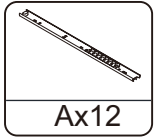
step 1



Bx36

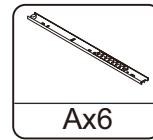
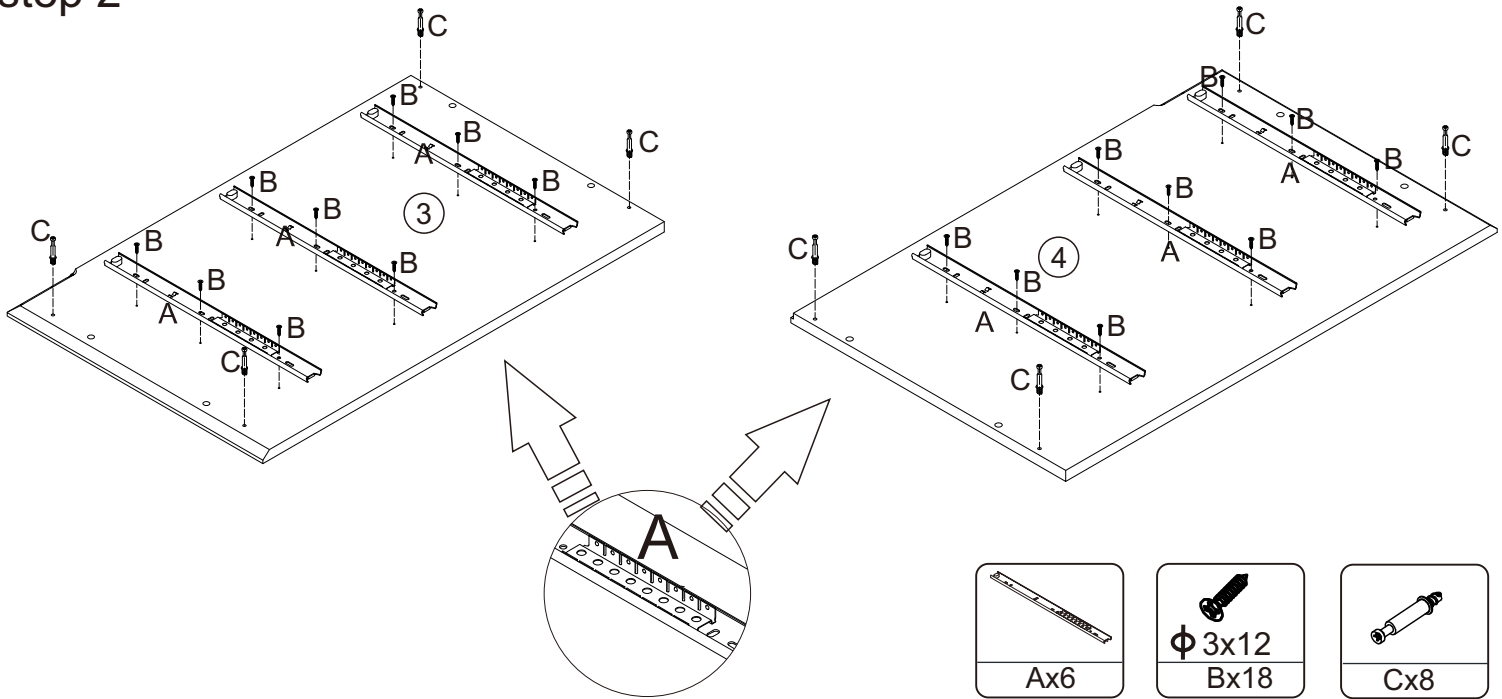


Bx36

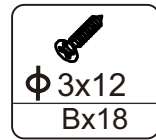


Ax12

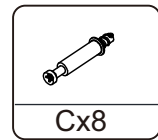
step 2



Ax6

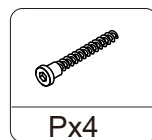
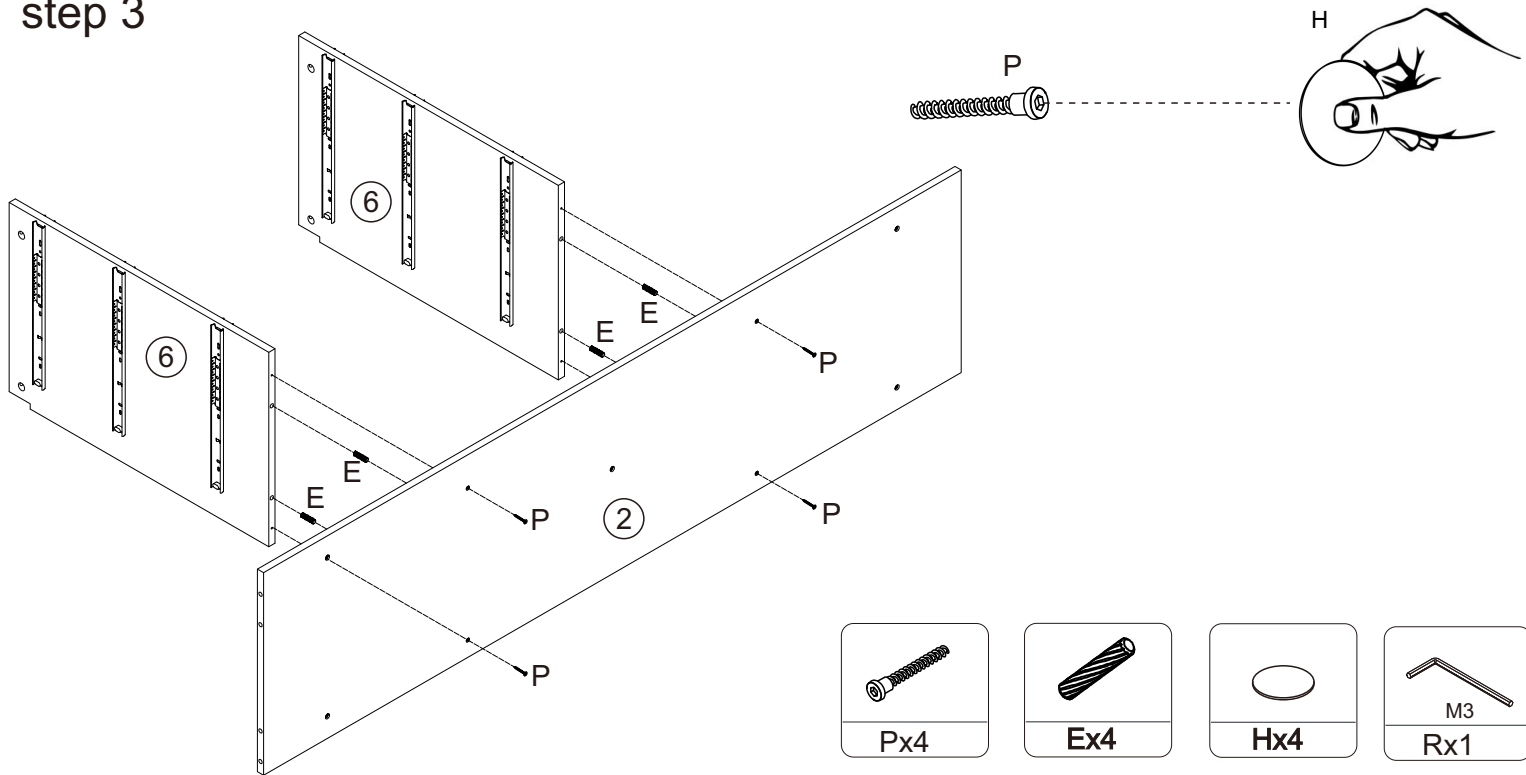


ϕ 3x12
Bx18



Cx8

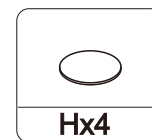
step 3



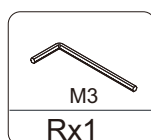
Px4



Ex4

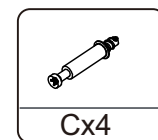
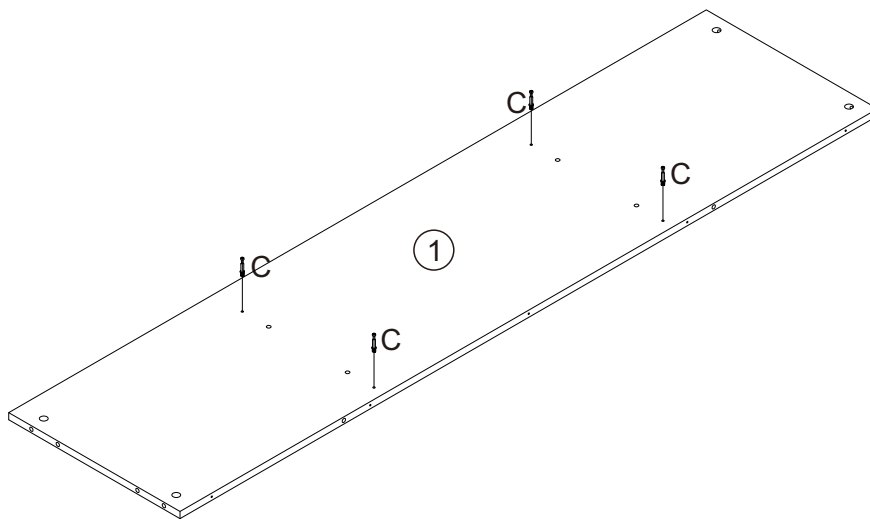


Hx4

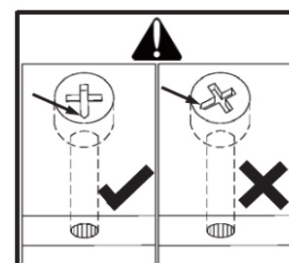
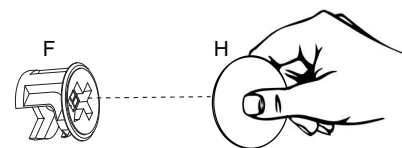
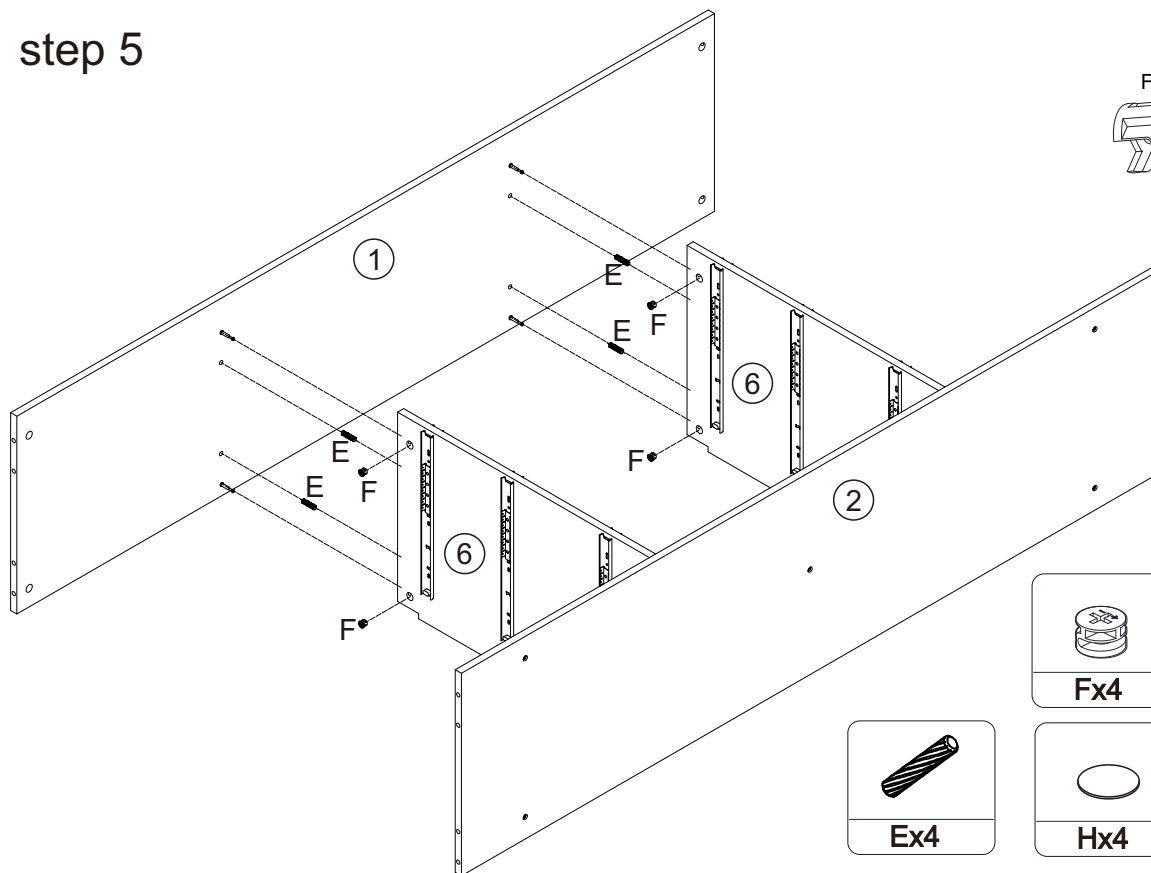


M3
Rx1

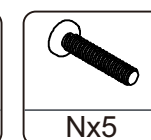
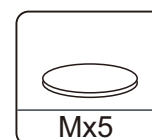
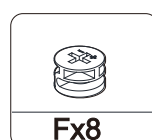
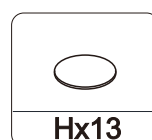
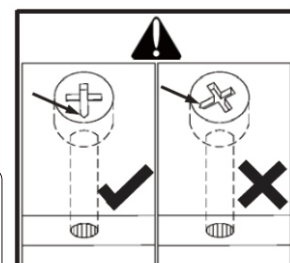
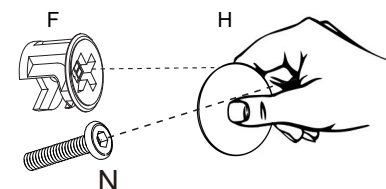
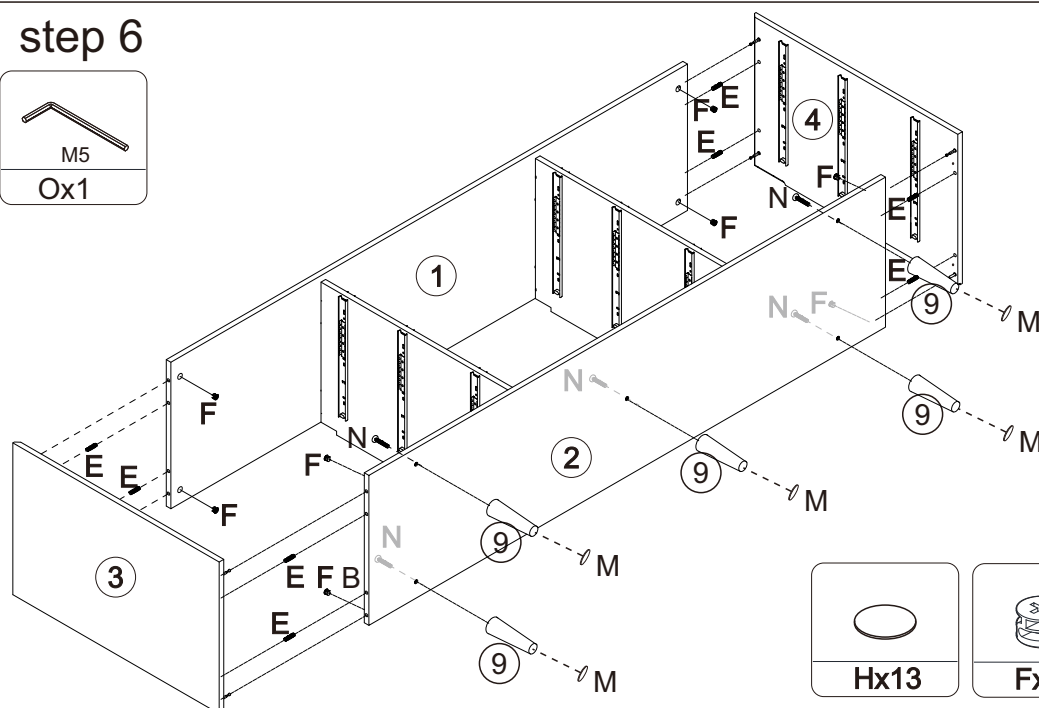
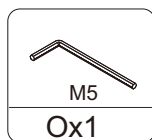
step 4



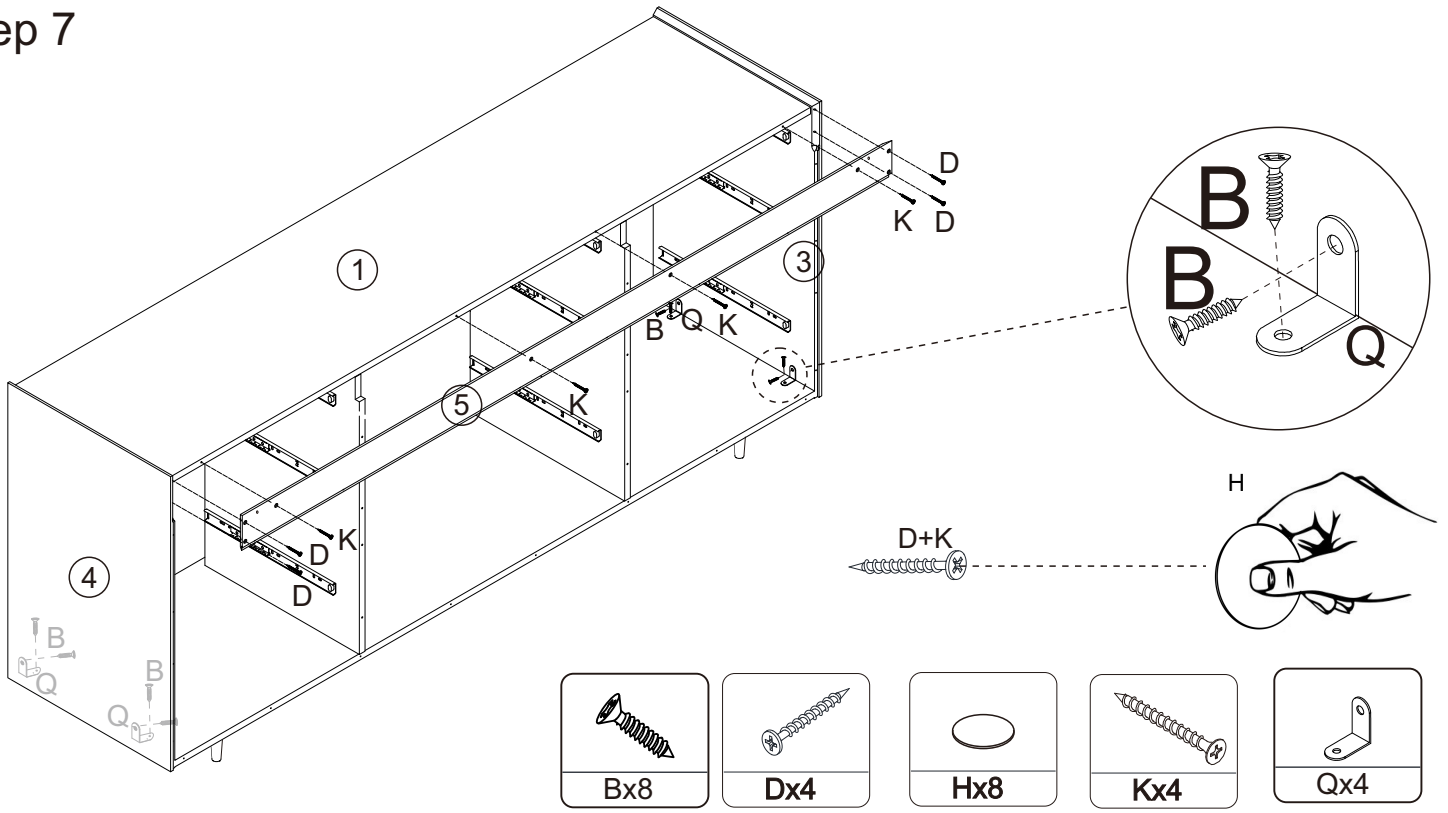
step 5



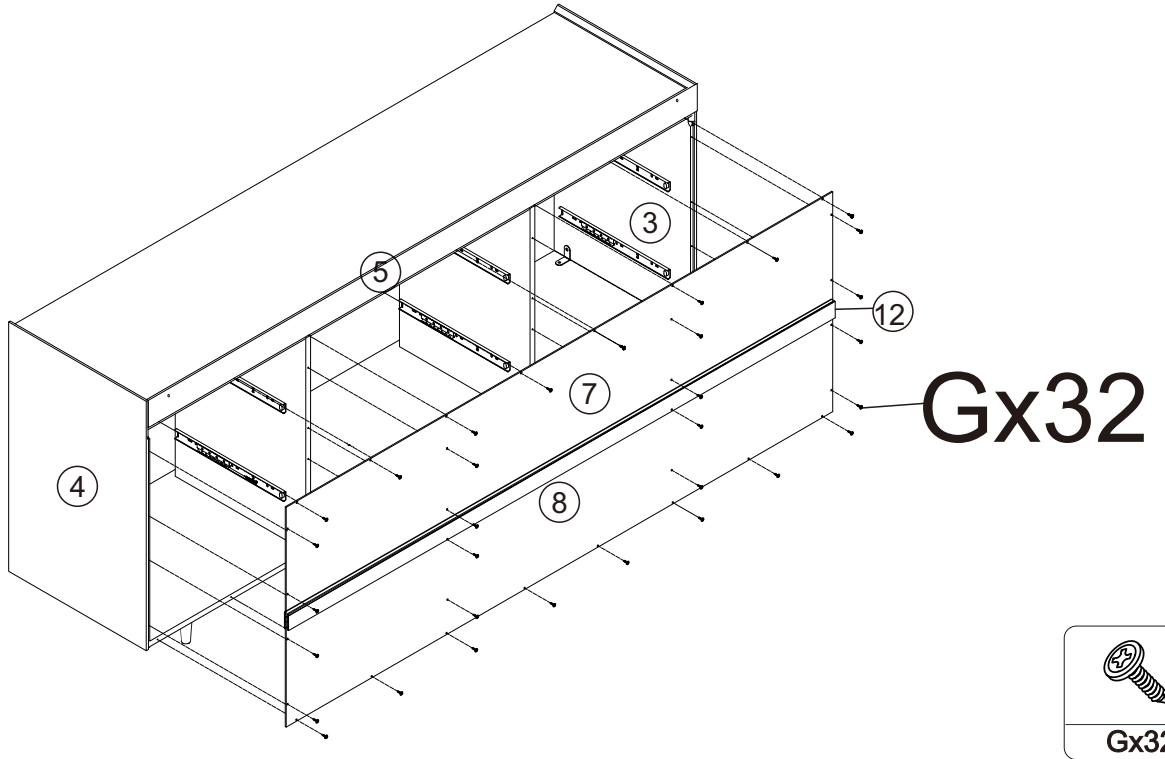
step 6



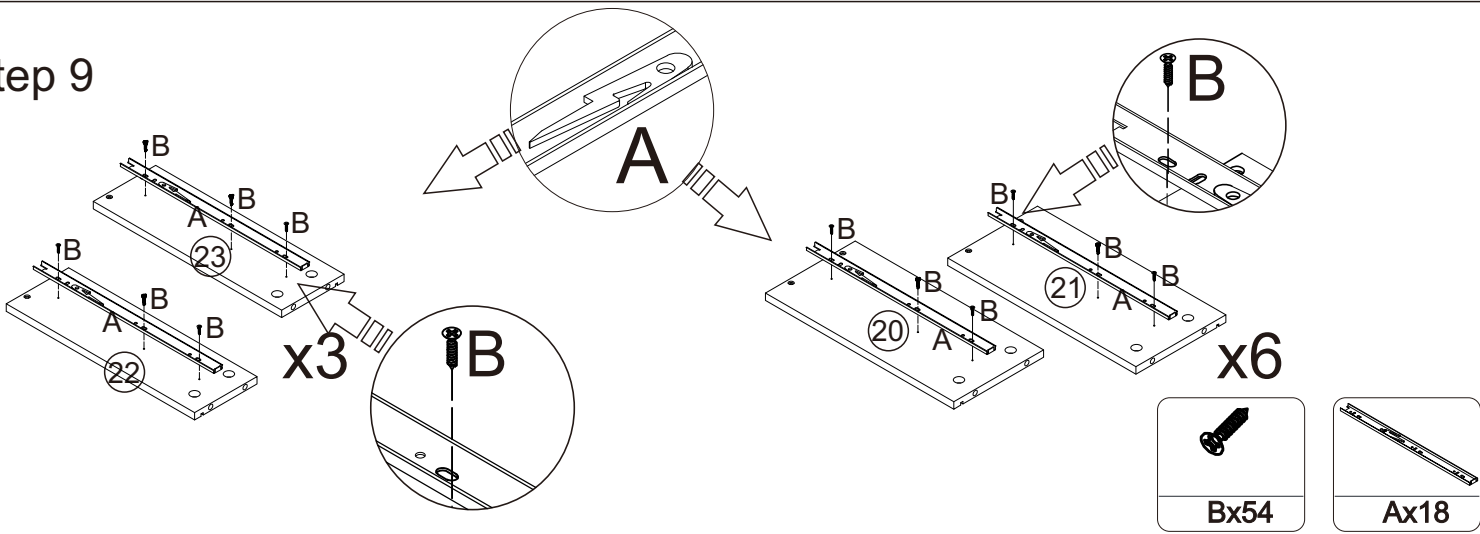
step 7



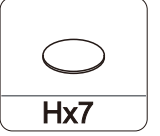
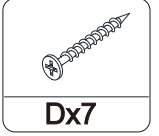
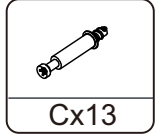
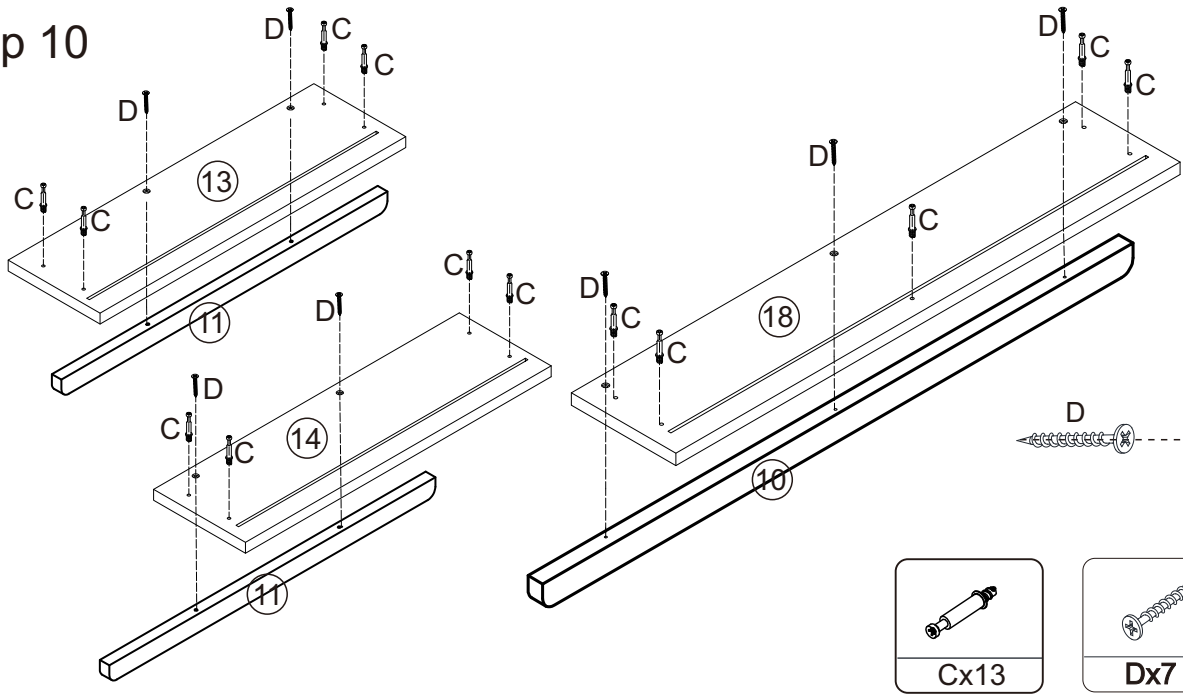
step 8



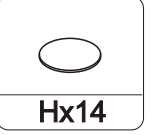
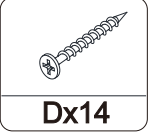
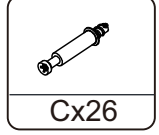
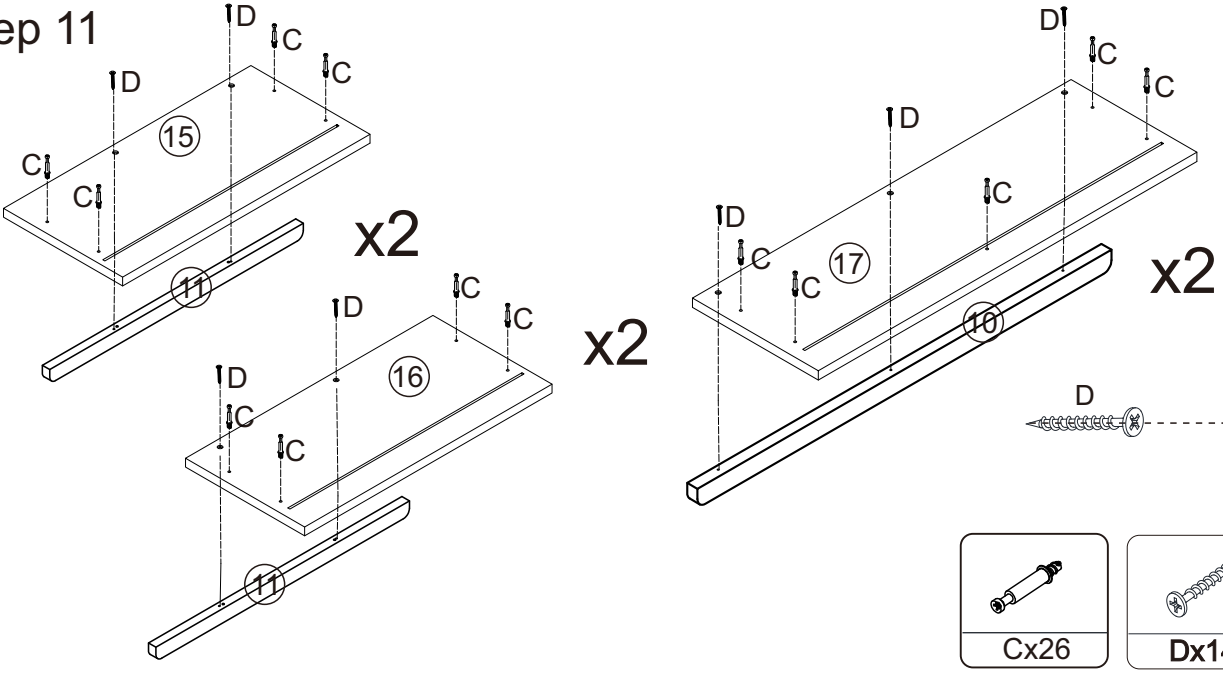
step 9



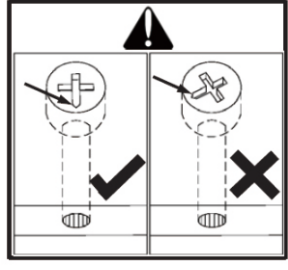
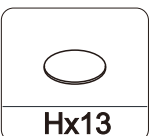
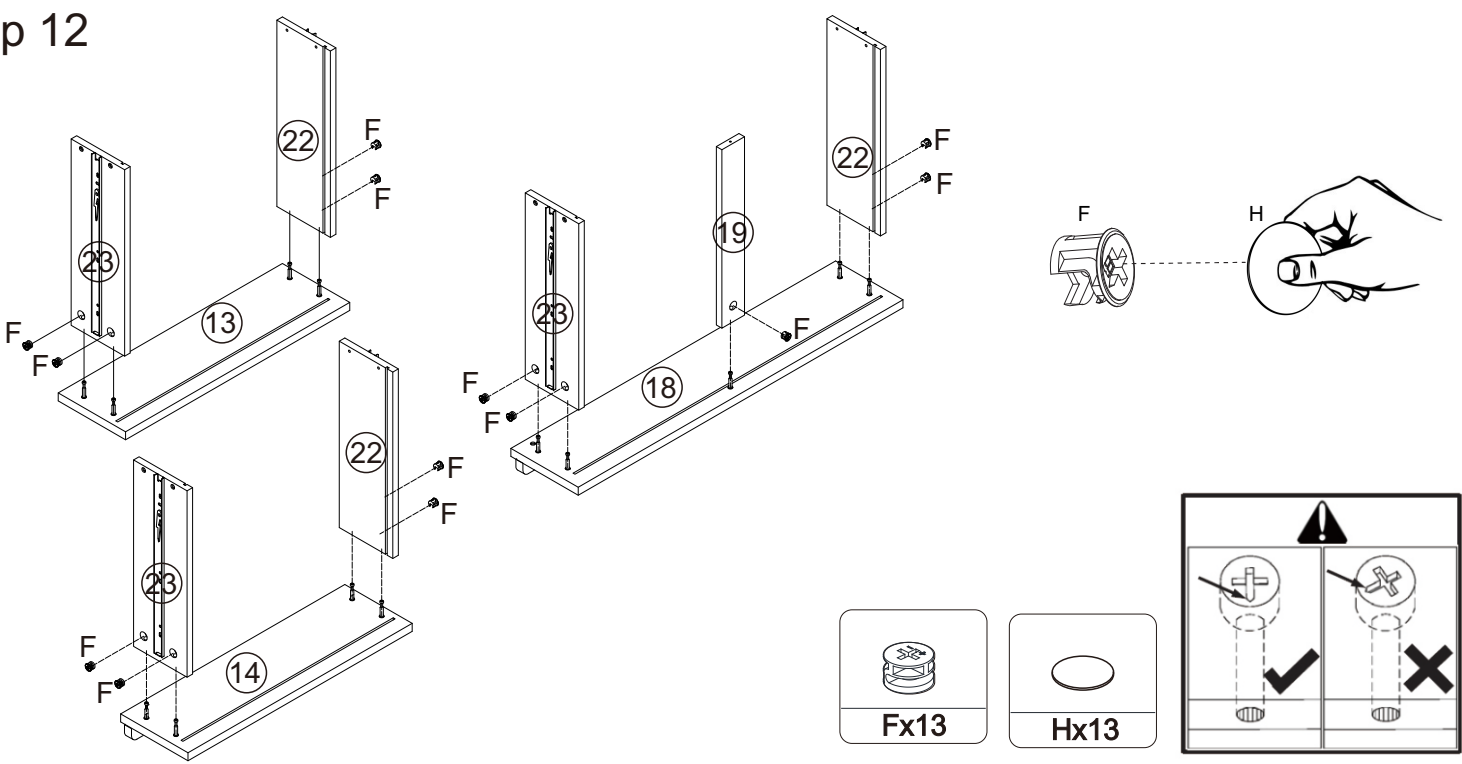
step 10



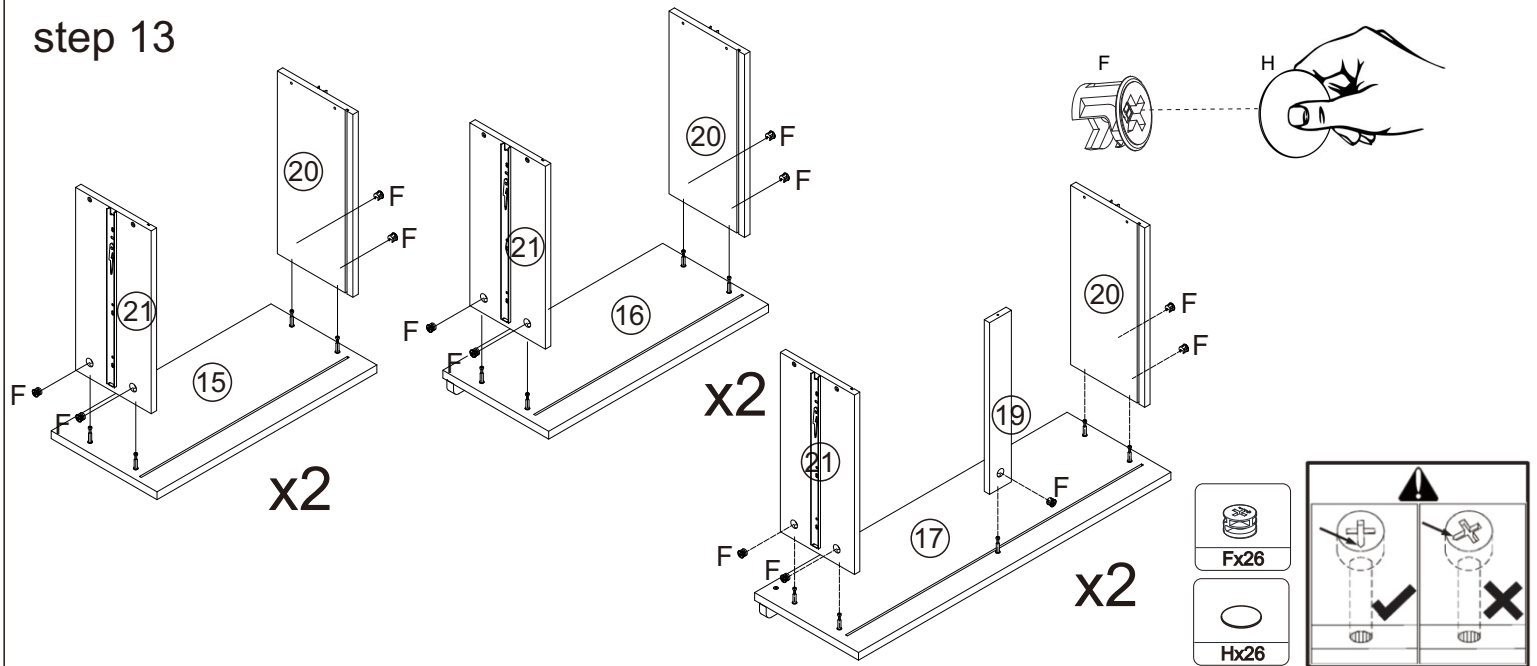
step 11



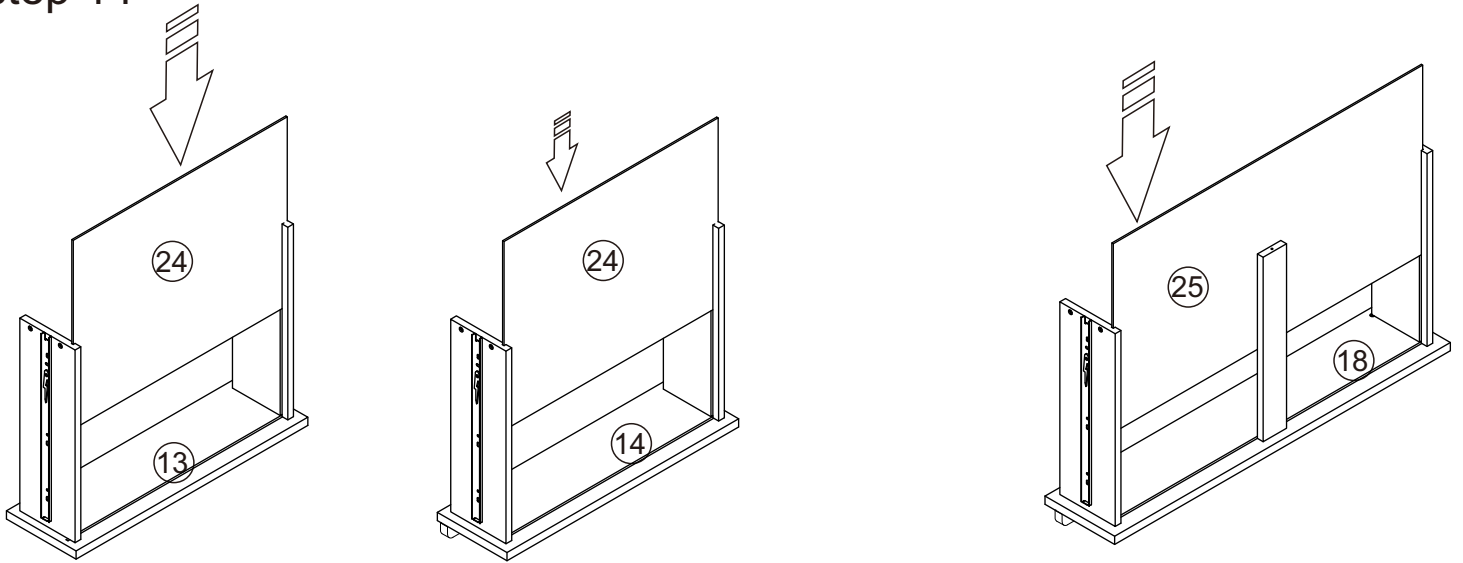
step 12



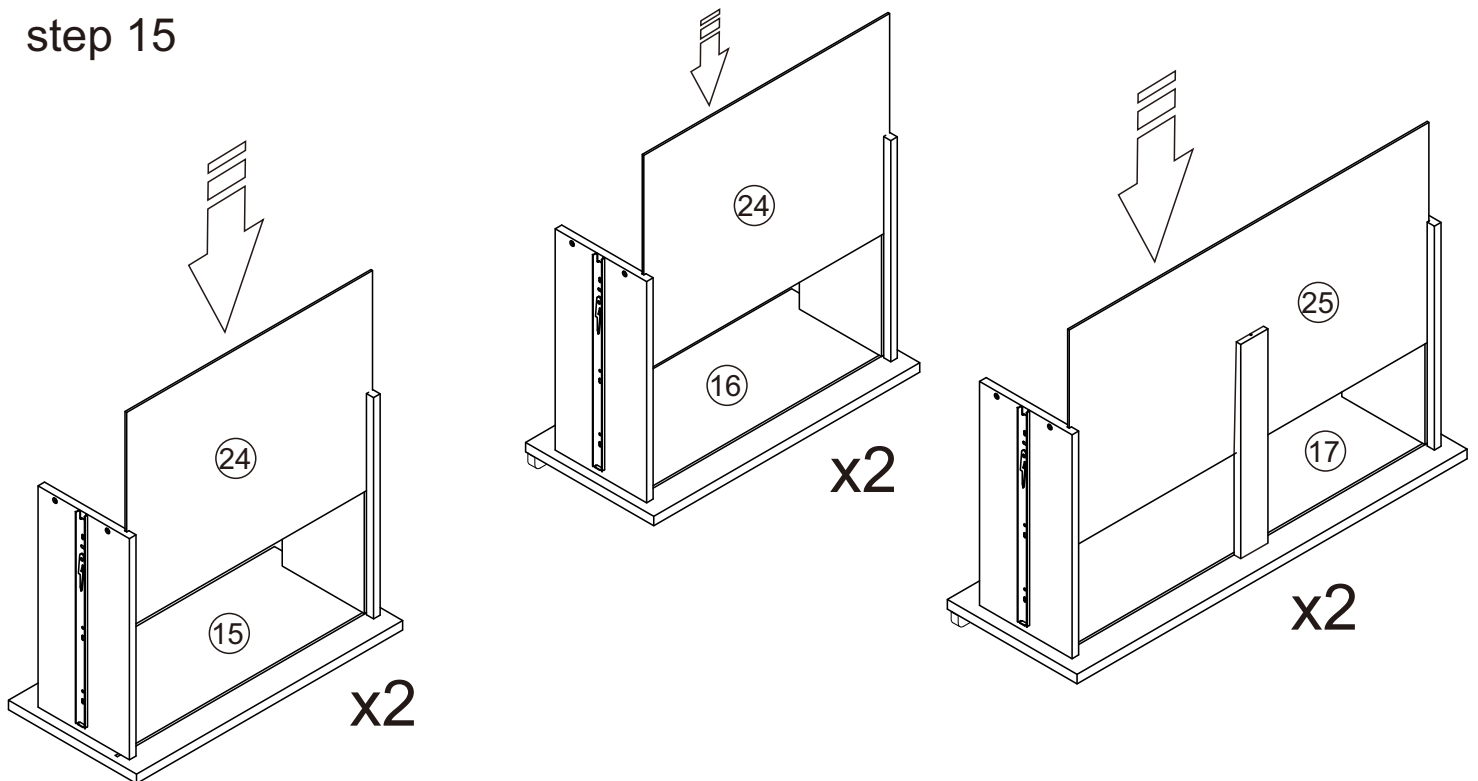
step 13



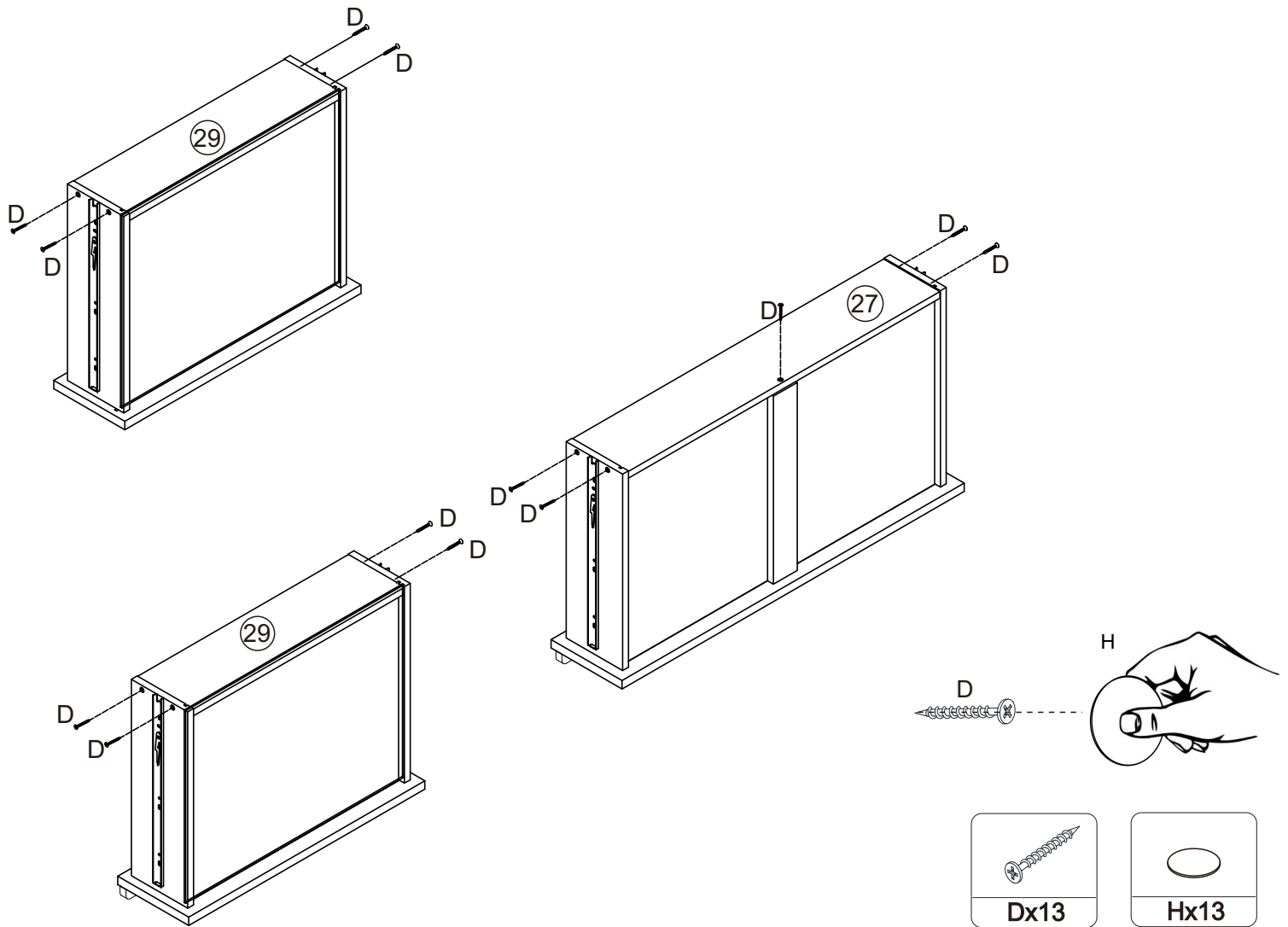
step 14



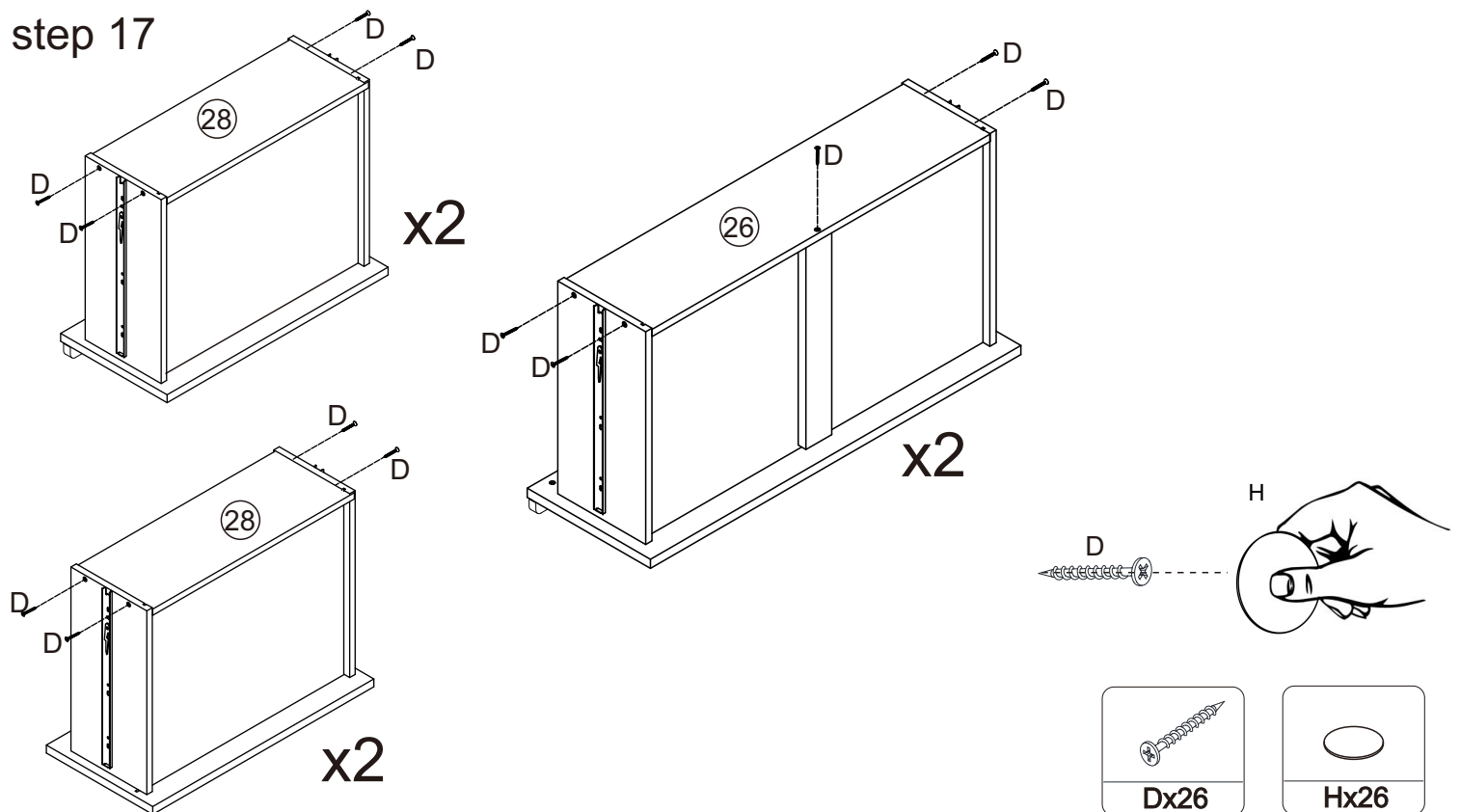
step 15



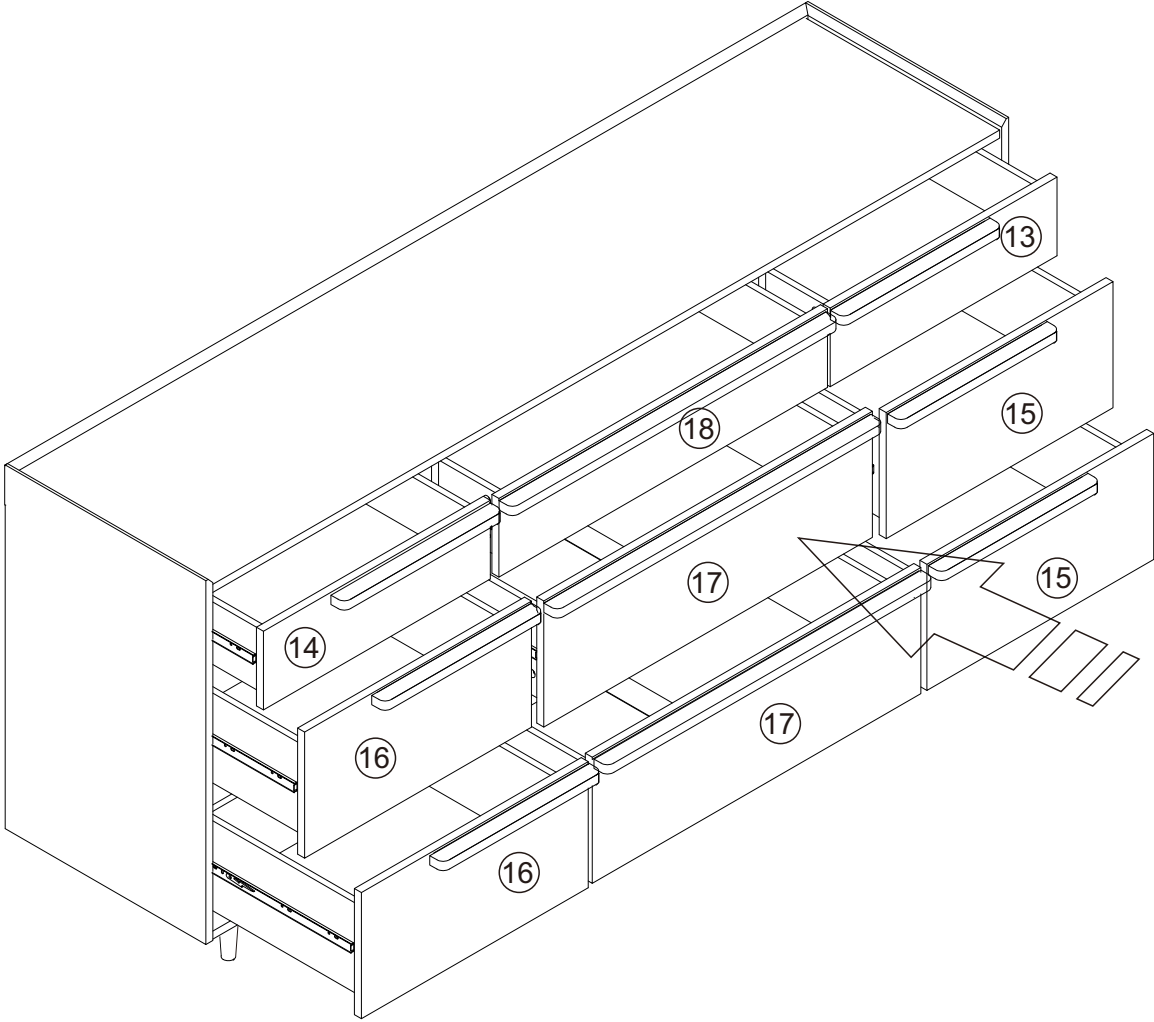
step 16



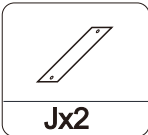
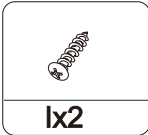
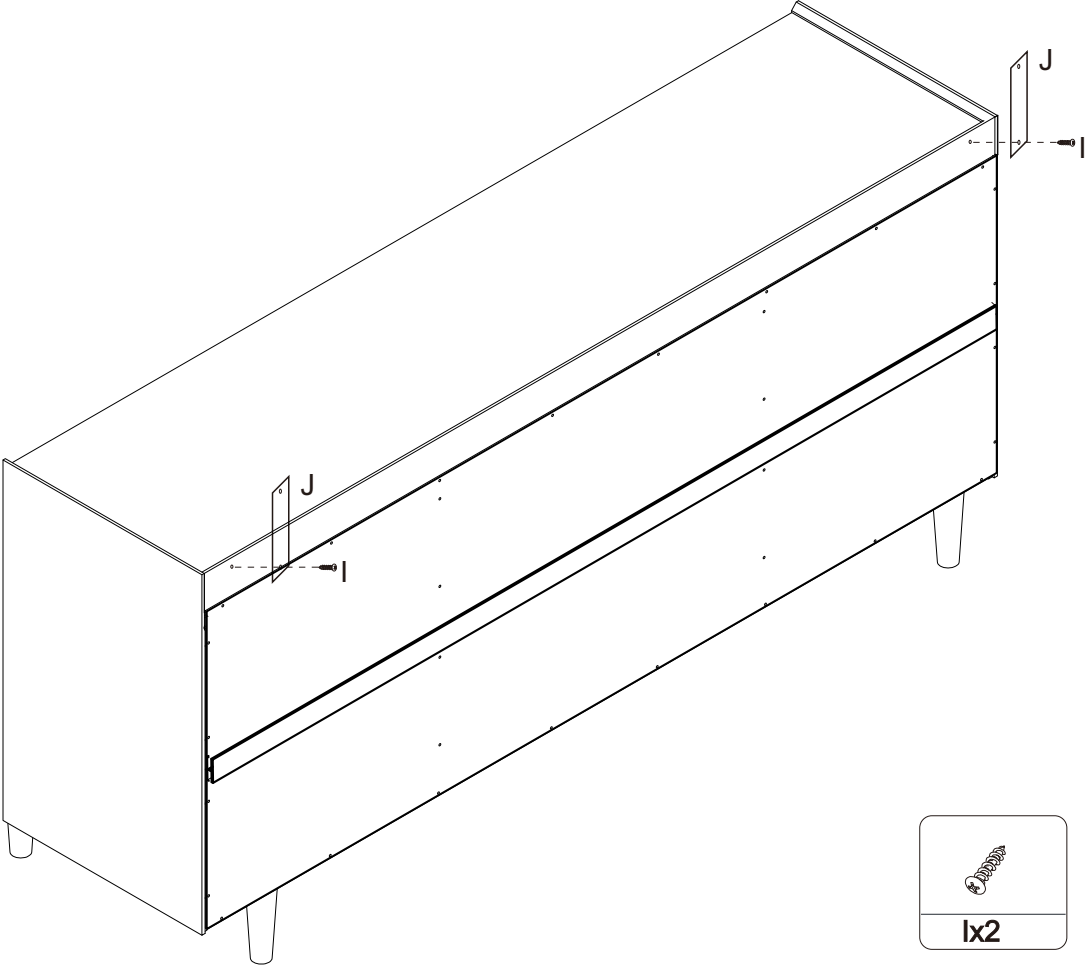
step 17



step 19



step 20



step 21

