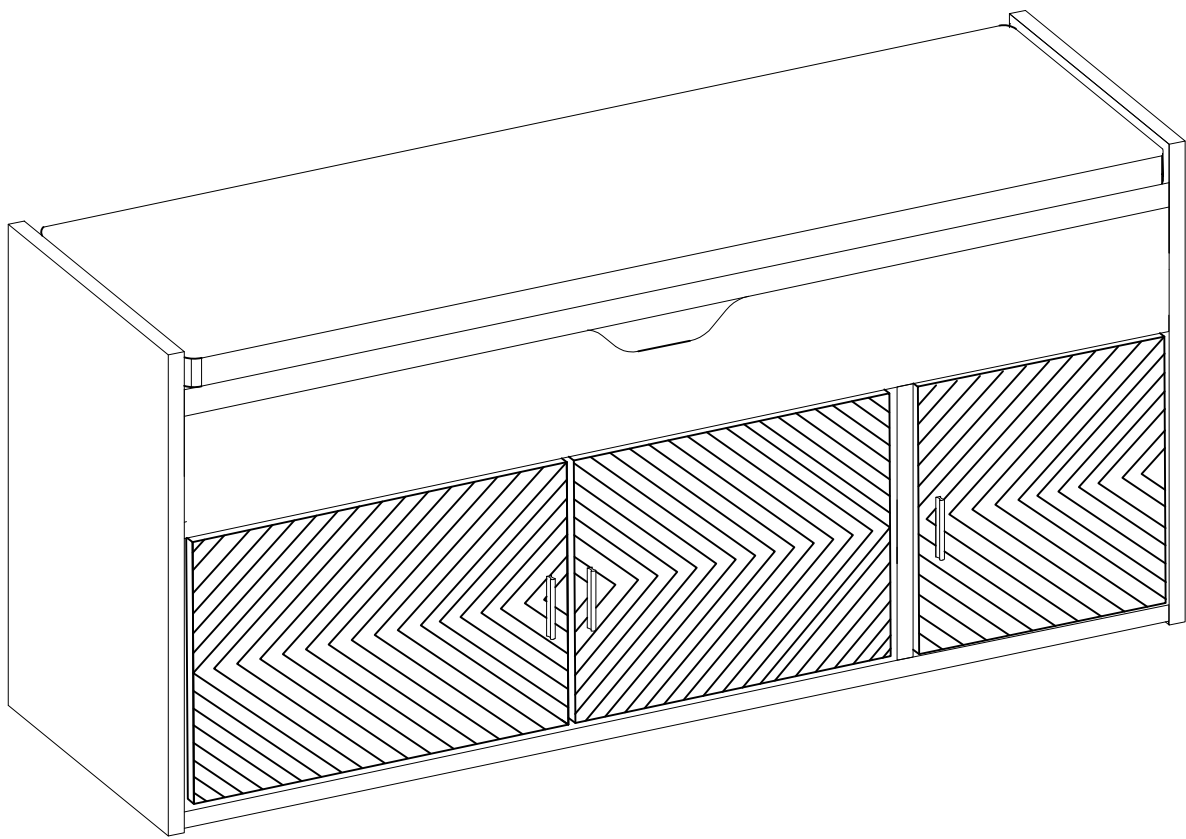


# ASSEMBLE INSTRUCTION



**Notes:**

1. Open the package and check that the number/code of boards and hardware is complete according to this instruction manual.
2. Follow the picture in the instructions, assemble it step by step and in order (Tips: Note that the boards and holes are aligned as shown in the picture).

**General Guidelines**

- Please read the following instruction carefully and use the product accordingly.

This summary may not include every detail of all variations and considered steps. Please contact us when further information and help are needed.

- If there are any defective or missing parts after unpacking, please cease assembly and get in contact with us immediately.

**Notes**

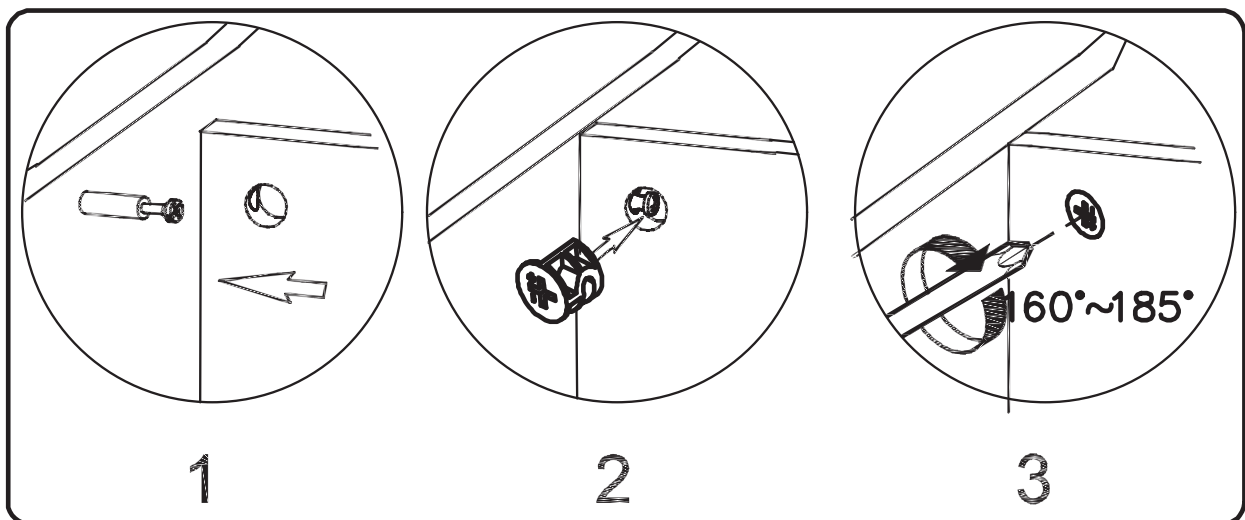
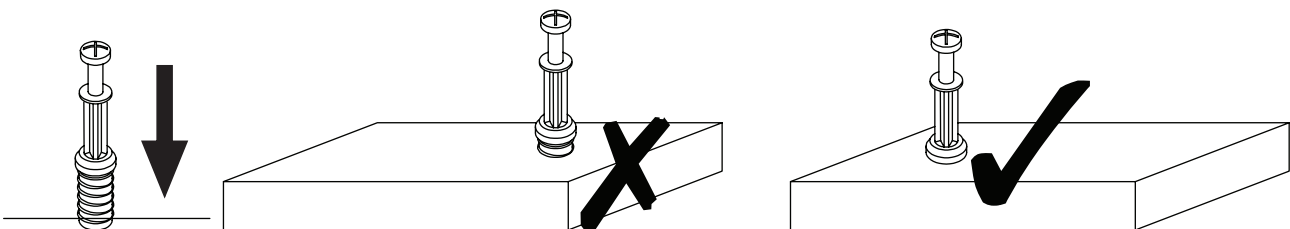
- The product must be assembled and used in accordance with the provisions of the manual.

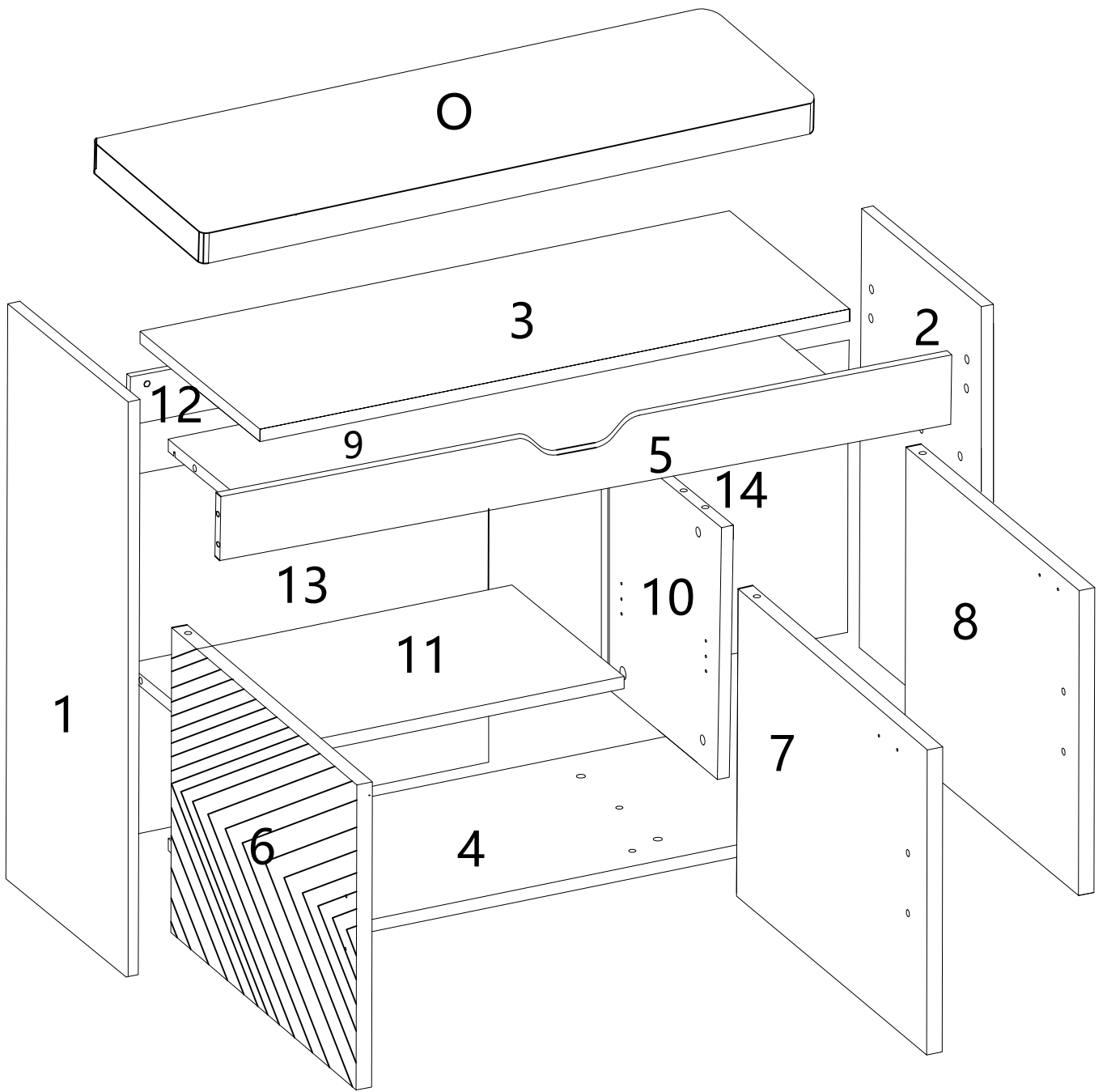
**Warnings**

- During the assembly process, keep any small parts out of the reach of children. It may be fatal if swallowed or
- To avoid the potential dangers of suffocation, please keep all parts and packaging (films, plastic bags and foam etc.) away from babies and children.
- Never touch with sharp objects or corrosive chemicals, which may damage the surface of the item.
- Do not expose product to direct sunlight or rain; and do not put it in a humid place.

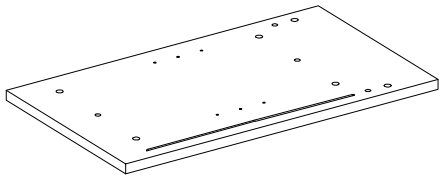
**CONTACT US**

- If you have any questions, please contact our customer service immediately



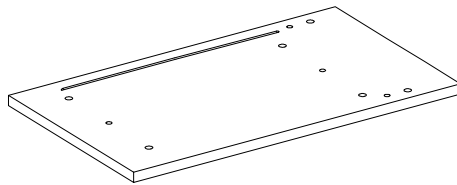


1



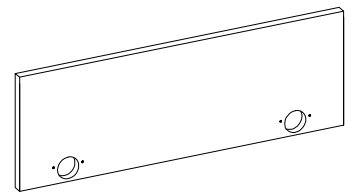
460\*405\*15mm 1PC

2



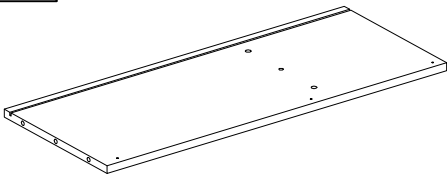
460\*405\*15mm 1PC

3



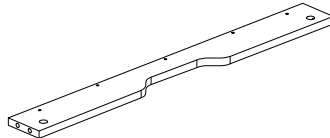
1071\*404\*15mm 1PC

4



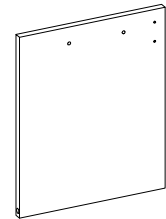
1075\*404\*15mm 1PC

5



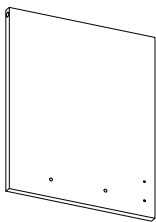
1075\*80\*15mm 1PC

6



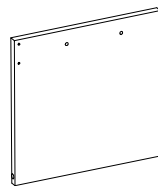
345\*261\*15mm 1PC

7



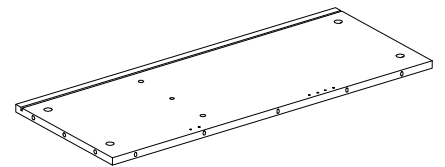
345\*261\*15mm 1PC

8



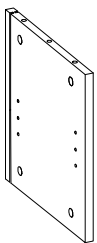
354\*261\*15mm 1PC

9



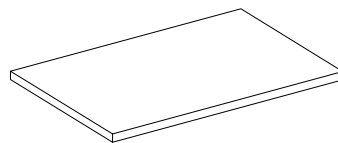
1075\*374\*15mm 1PC

10



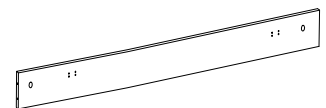
267\*404\*15mm 1PC

11



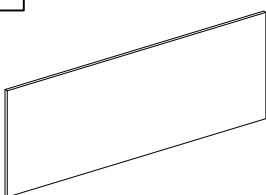
698\*357\*15mm 1PC

12



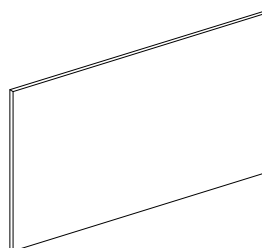
1075\*80\*15mm 1PC

13



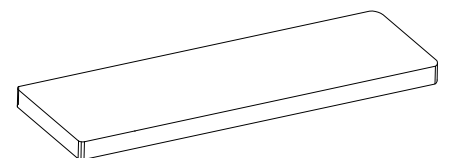
709\*275\*3mm 1PC

14

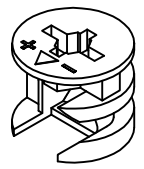
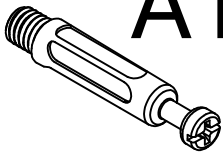
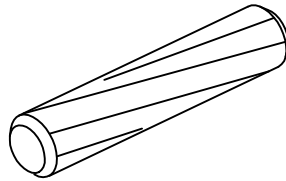
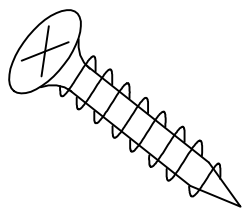
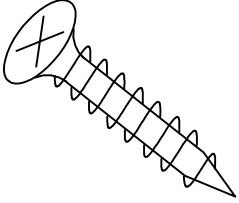
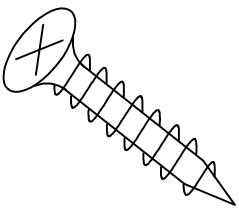
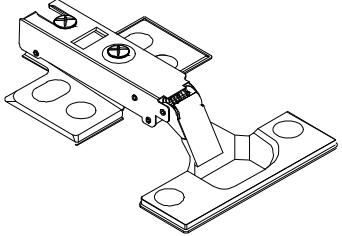
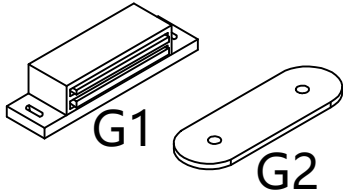
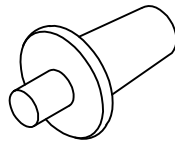
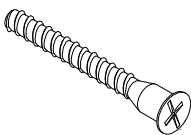

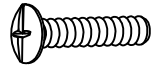
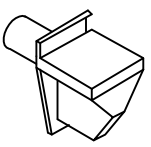
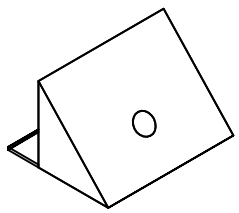
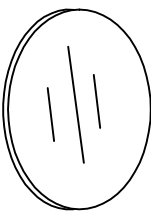


369\*275\*3mm 1PC

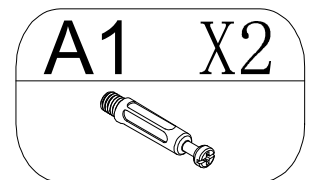
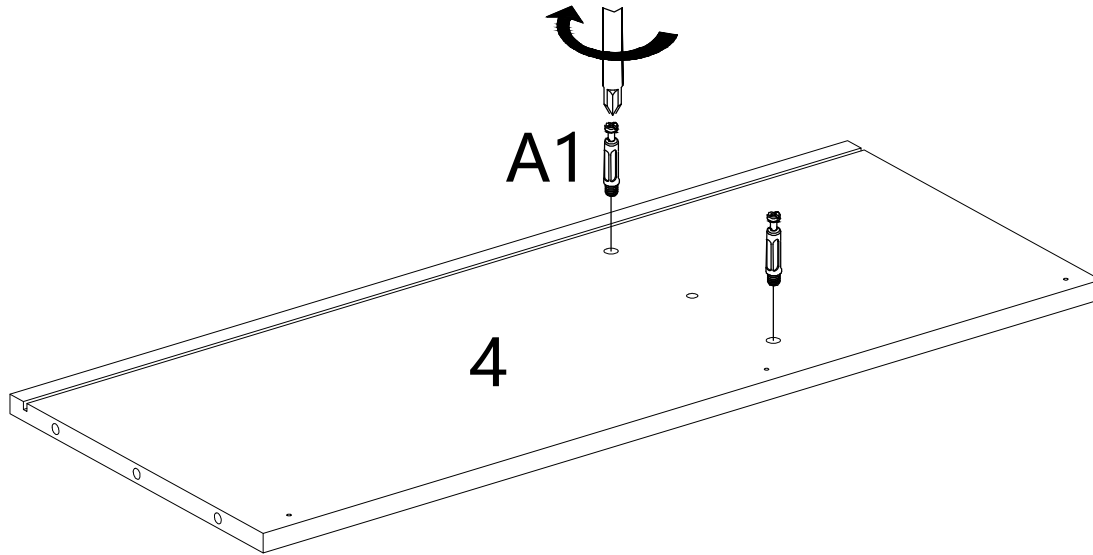
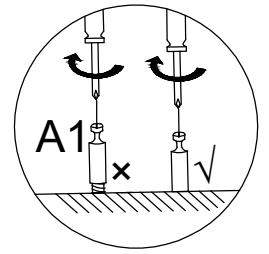
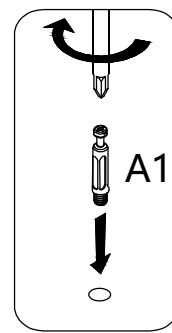
O



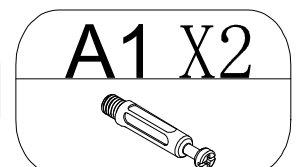
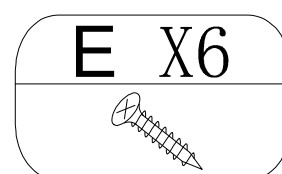
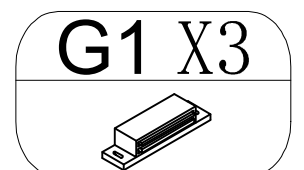
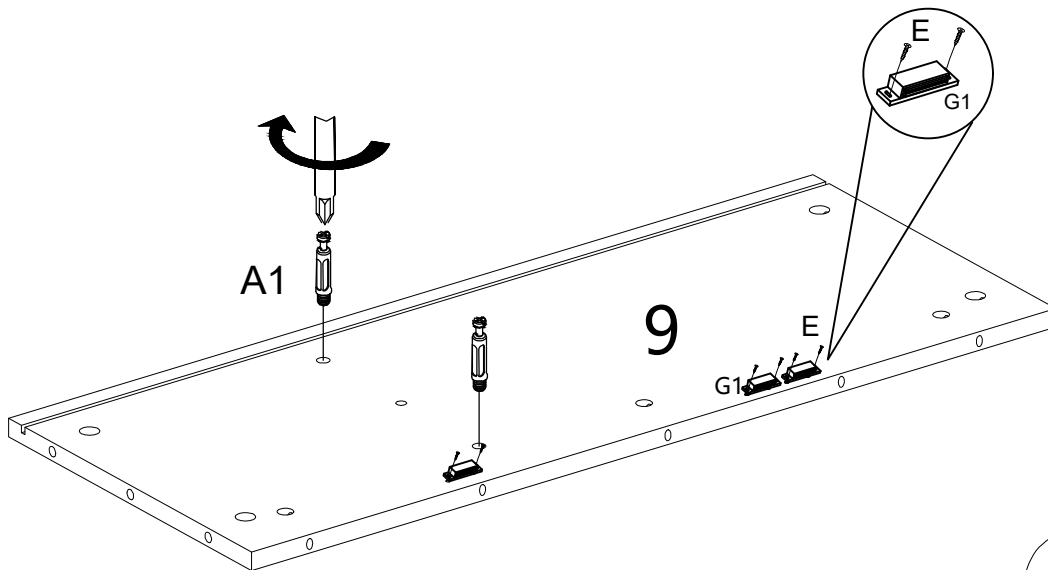
1070\*400\*35mm 1PC

|  |  |   |
|--|--|---|
| <p><b>A</b></p>  <p><b>A1</b> <b>A2</b></p>  <p>19PCS</p> | <p><b>B</b></p>  <p>12PCS</p>   | <p><b>C</b></p>  <p>6PCS</p>   |
| <p><b>D</b></p>  <p>22PCS</p>   | <p><b>E</b></p>  <p>6PCS</p>    | <p><b>F</b></p>  <p>2PCS</p>   |
| <p><b>G</b></p>  <p><b>G1</b> <b>G2</b></p> <p>3PCS</p>   | <p><b>H</b></p>  <p>6PCS</p>  | <p><b>I</b></p>  <p>3PCS</p> |
| <p><b>J</b></p>  <p>3PCS</p>  | <p><b>K</b></p>  <p>6PCS</p>  | <p><b>L</b></p>  <p>4PCS</p> |
| <p><b>M</b></p>  <p>10PCS</p>   | <p><b>N</b></p>  <p>19PCS</p> |   |

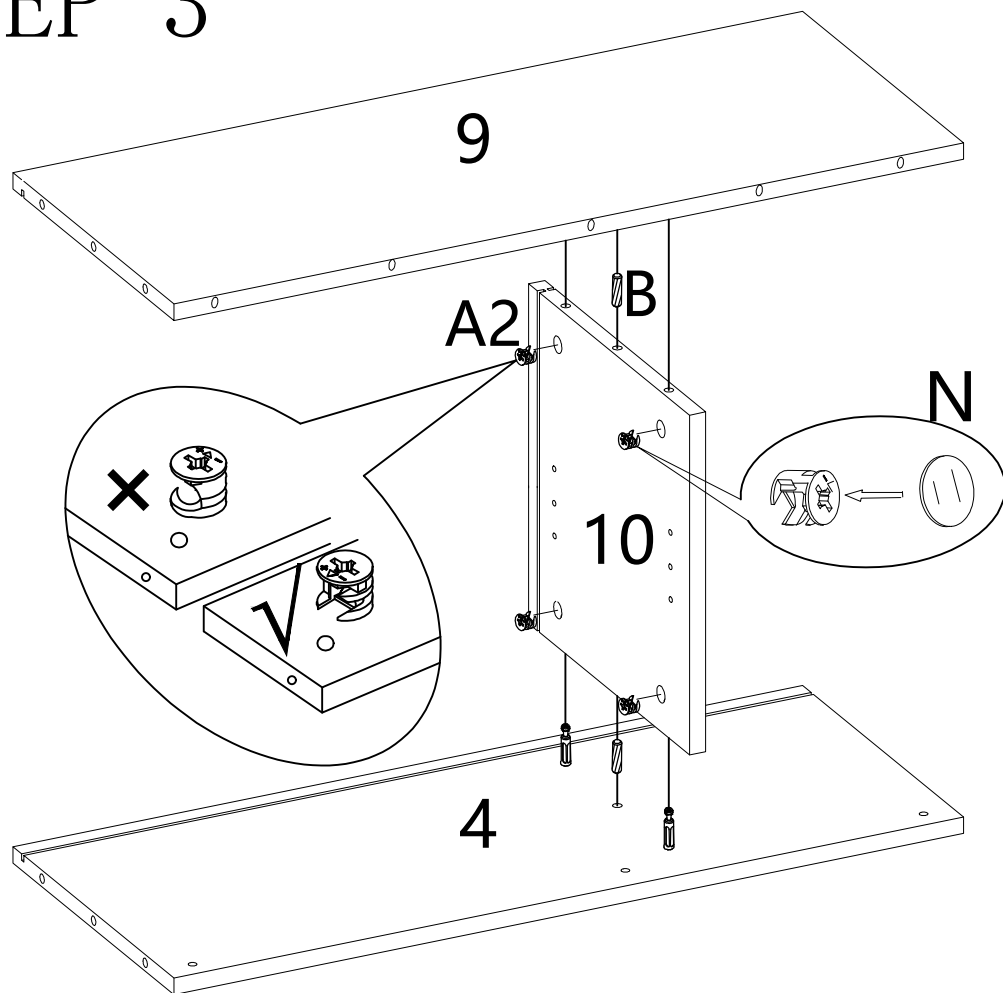
# STEP 1

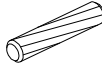




# STEP 2

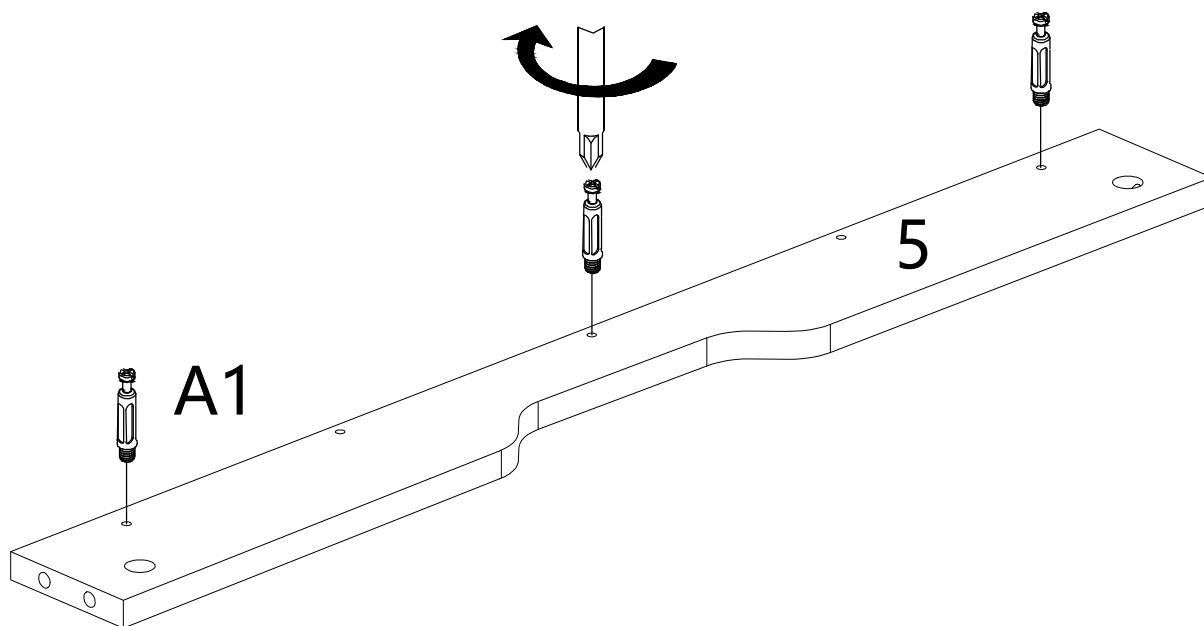


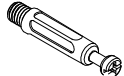
# STEP 3



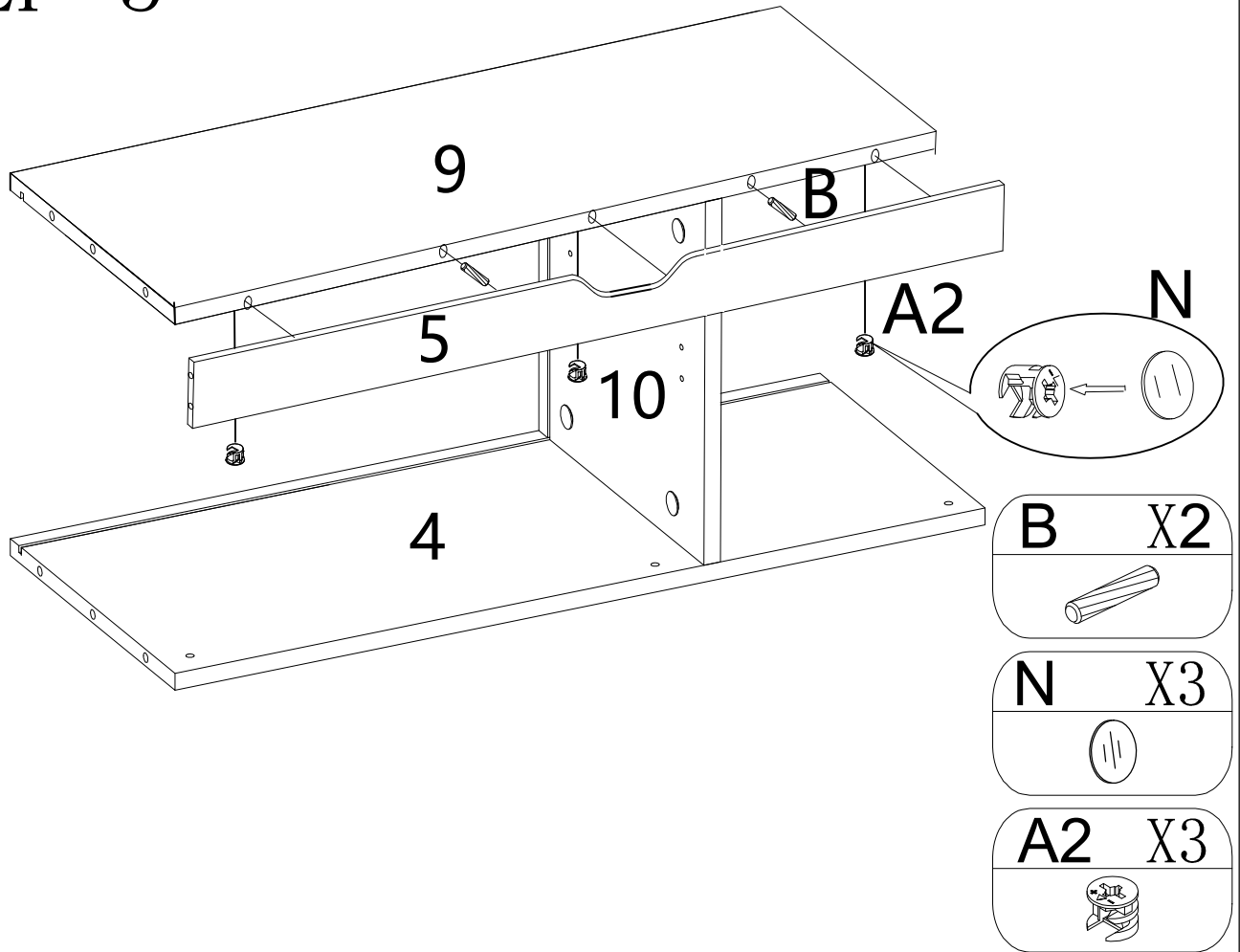
|   |    |
|---|----|
| B   | X2 |
|    |    |
| N   | X4 |
|    |    |
| A2  | X4 |
|  |    |

# STEP 4

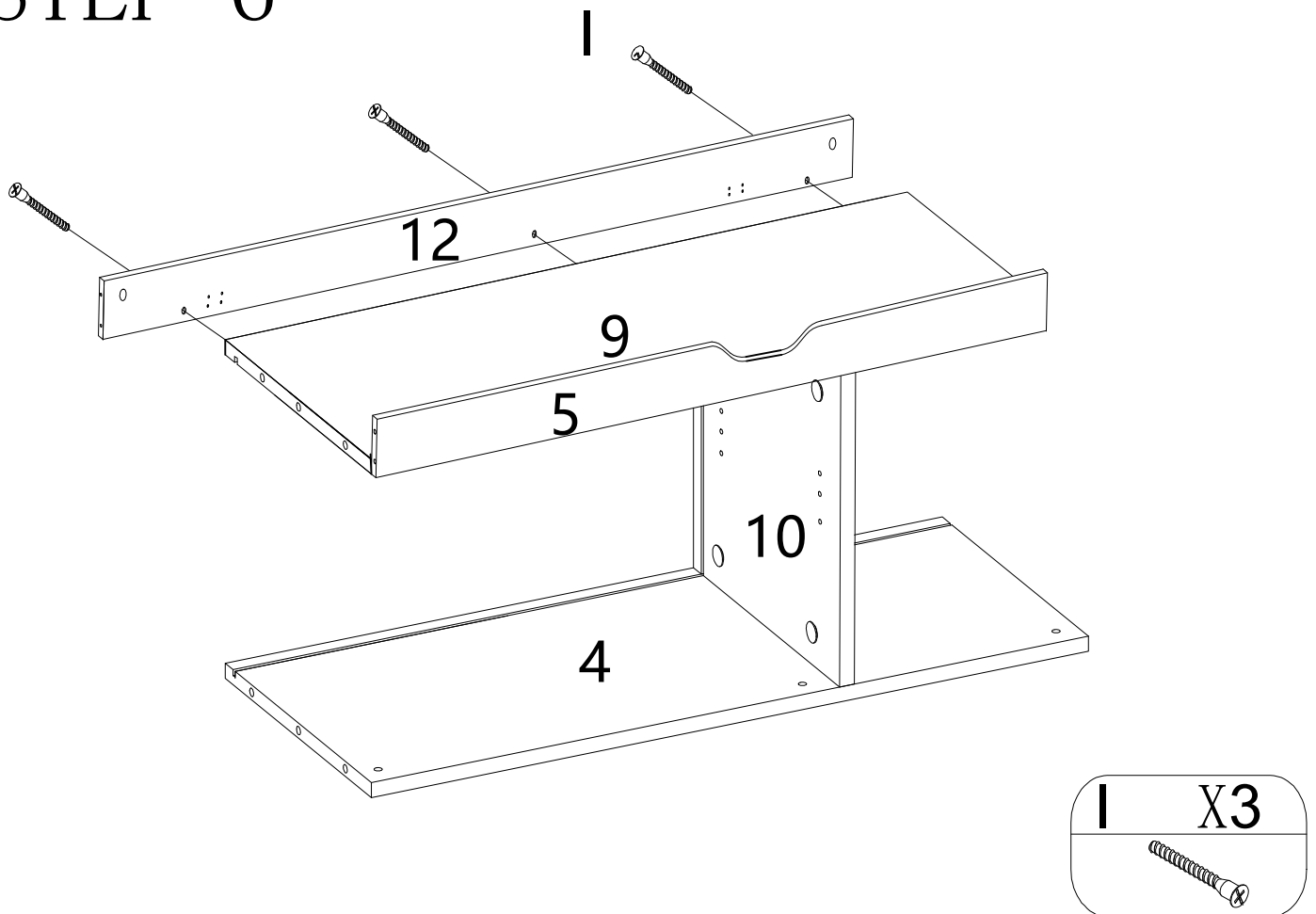


|   |    |
|---|----|
| A1  | X3 |
|  |    |

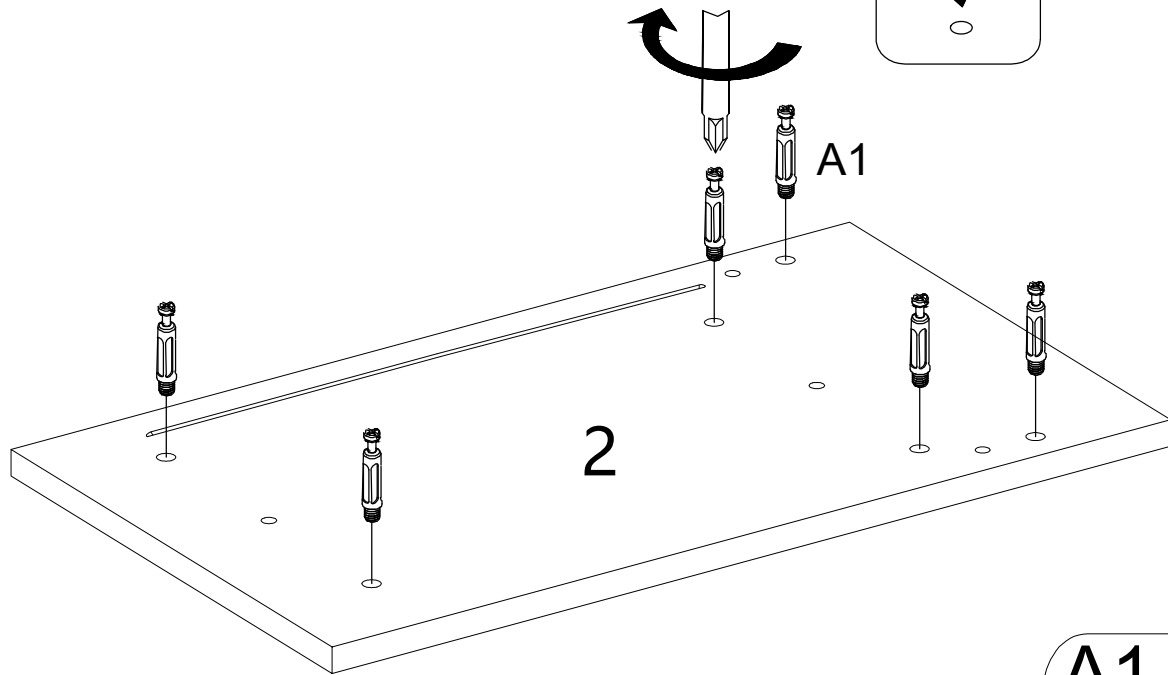
# STEP 5



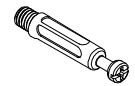
# STEP 6



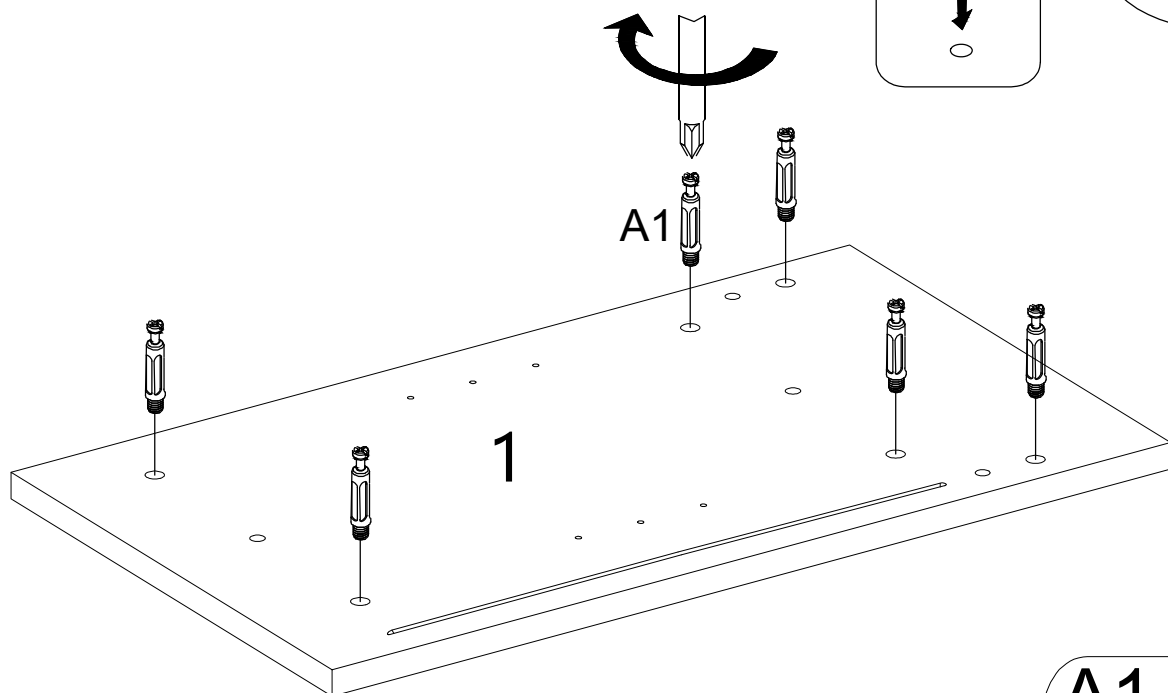
# STEP 7



A1 X6



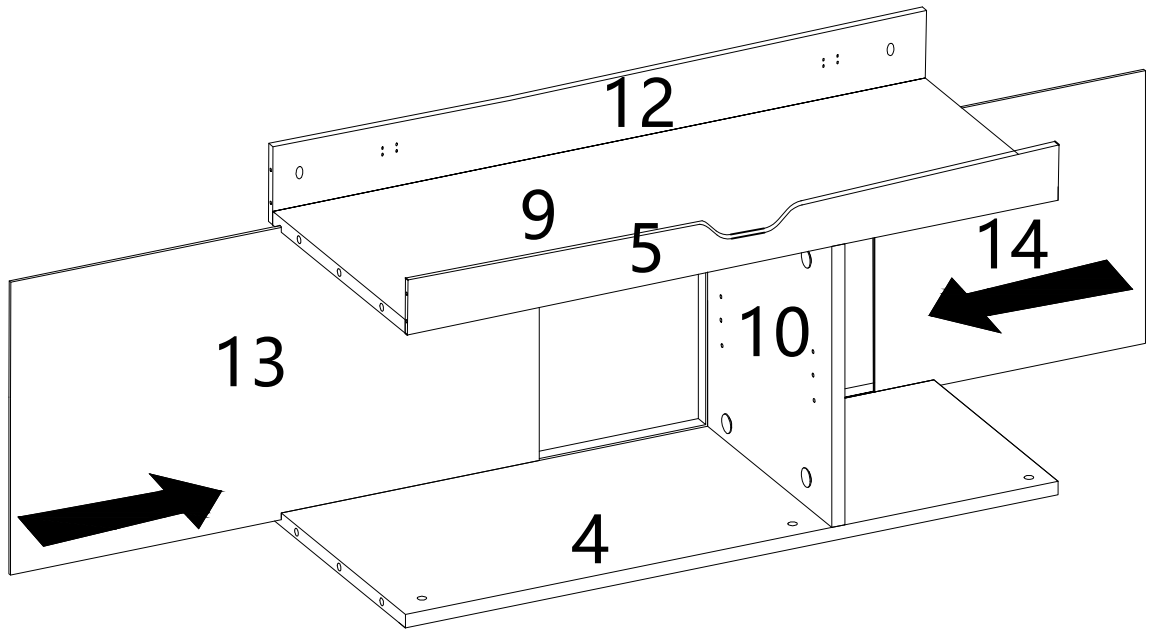
# STEP 8



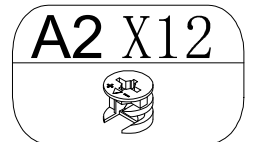
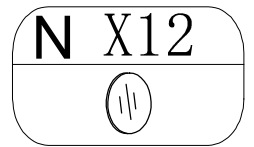
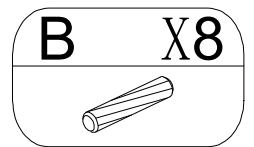
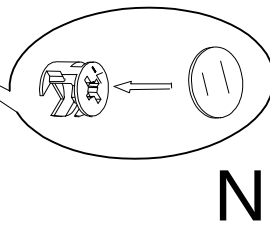
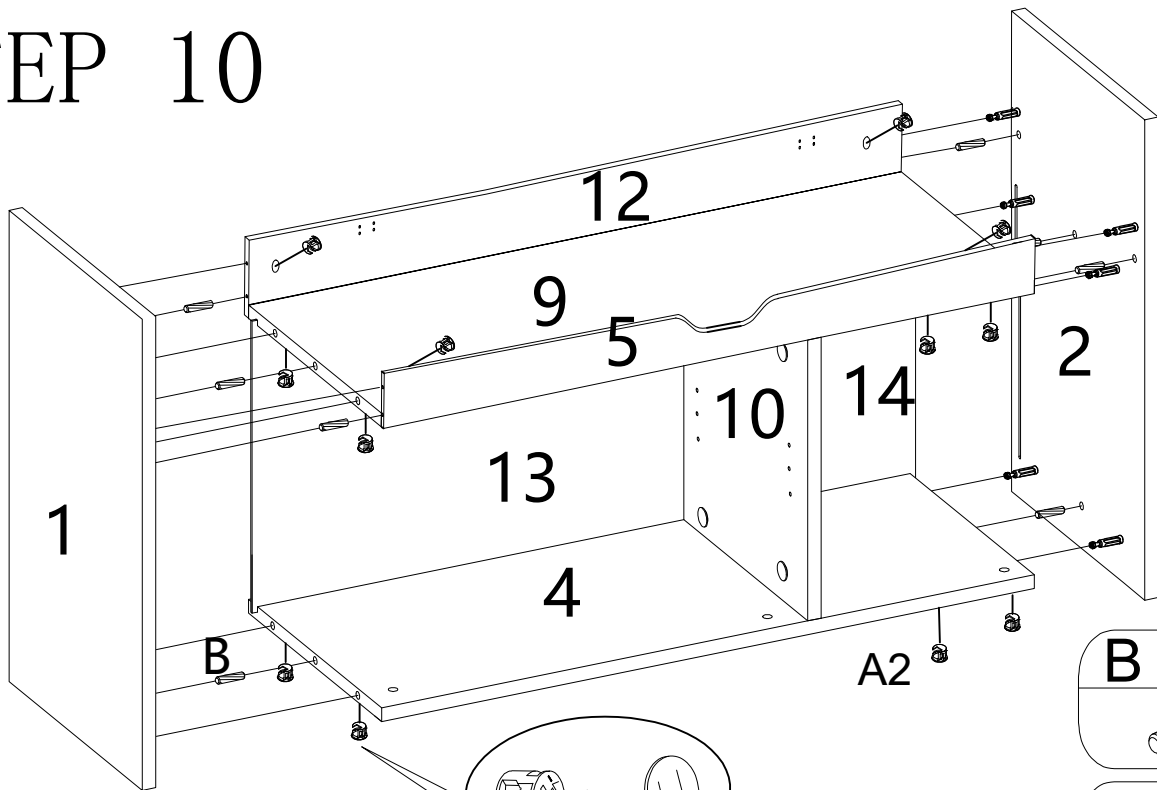
A1 X6



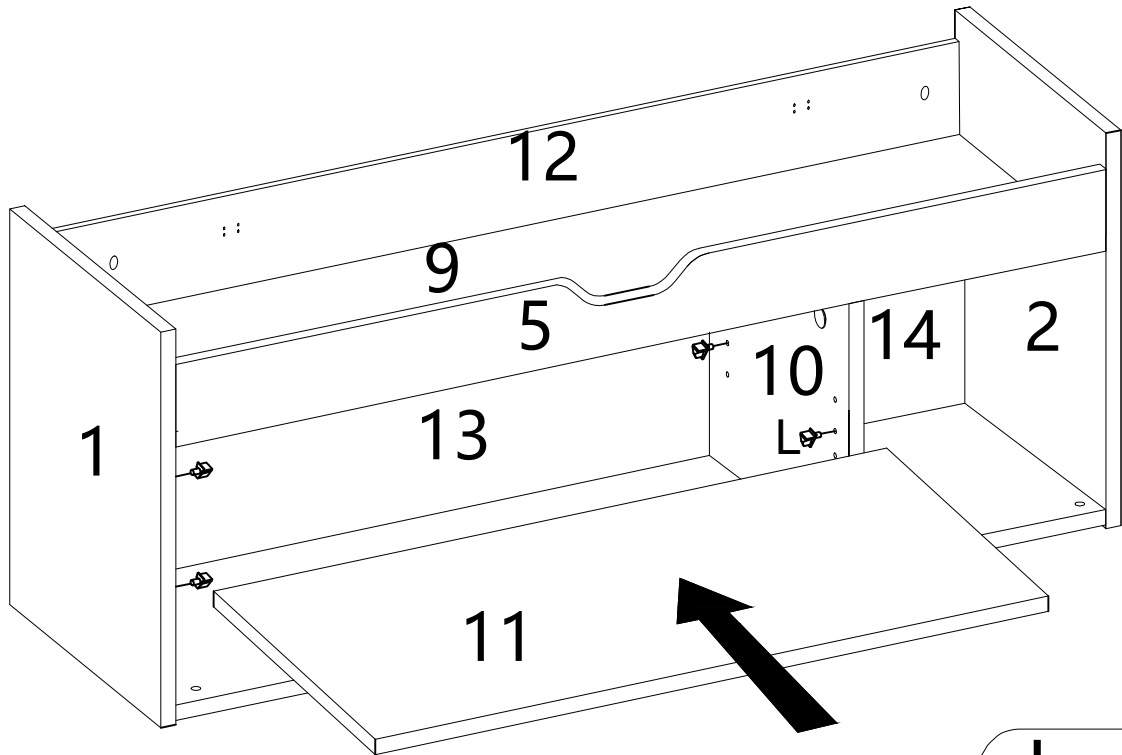
# STEP 9



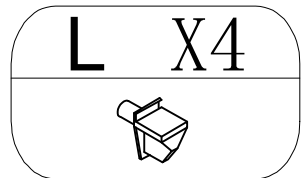
# STEP 10



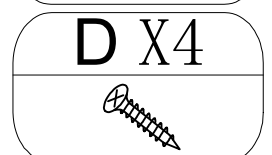
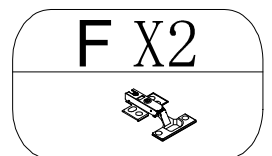
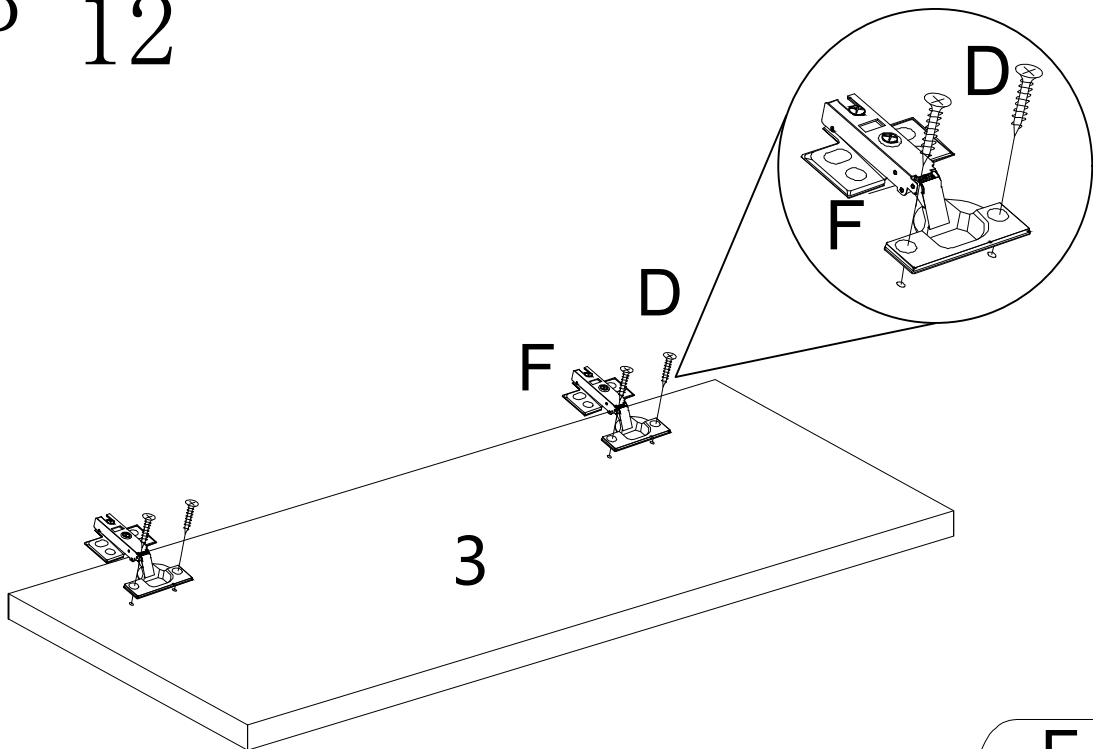
# STEP 11



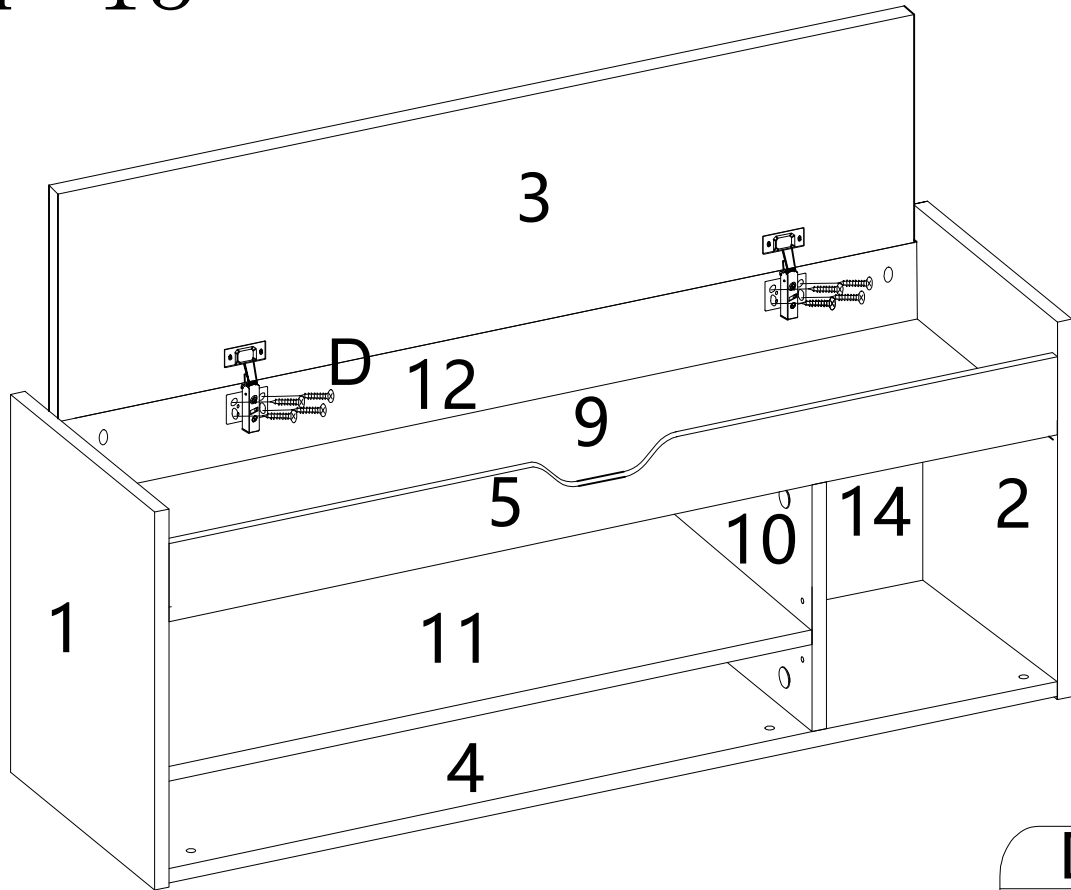
After installing board 11, please pay attention to the space for placing shoes



# STEP 12



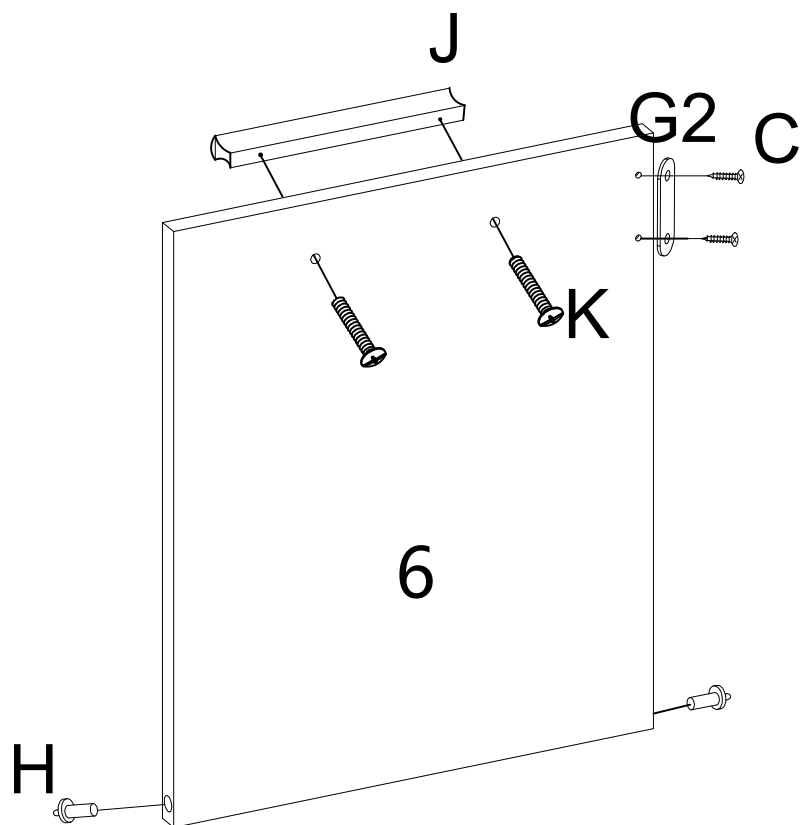
# STEP 13



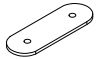
D X8



# STEP 14



G2 X1



H X2



K X2



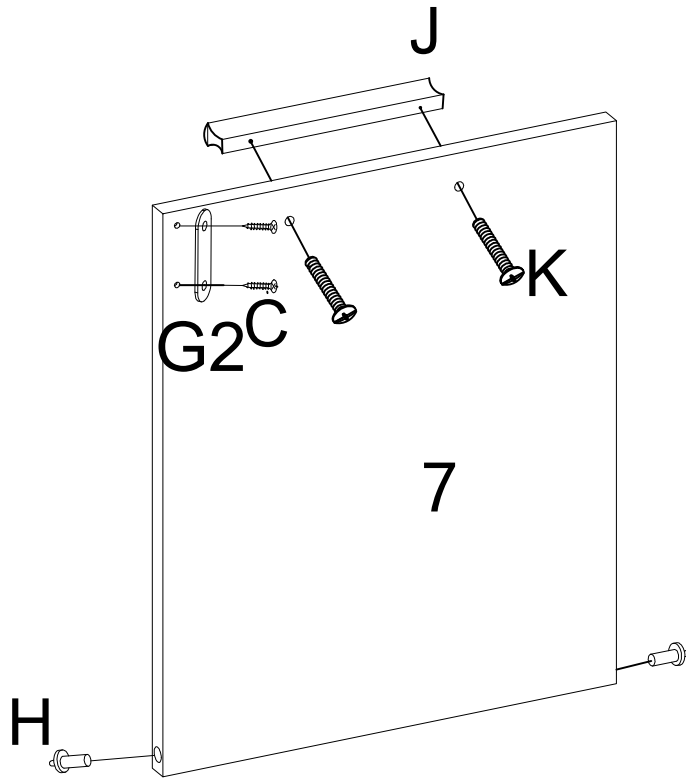
J X1



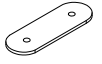
C X2



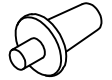
# STEP 15



G2 X1



H X2



K X2



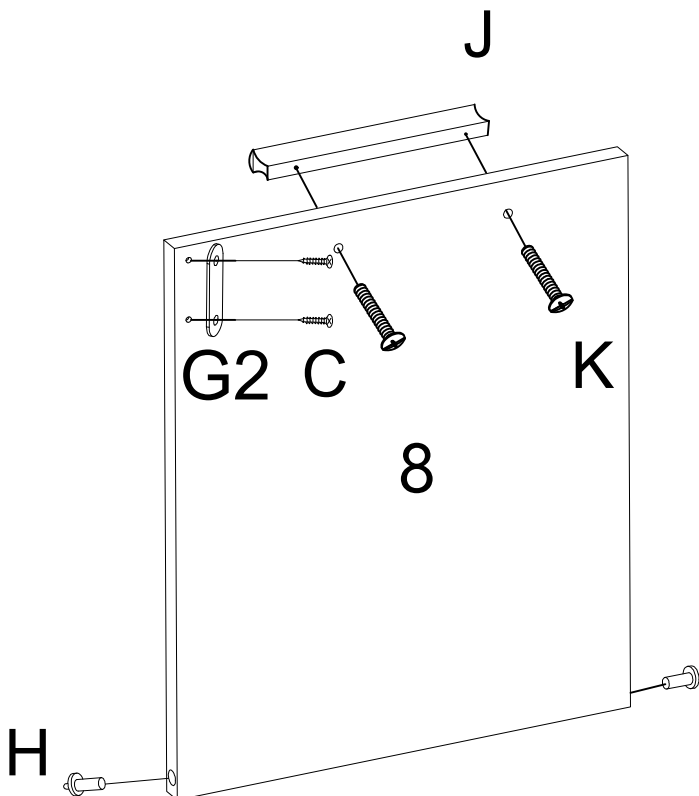
J X1



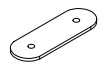
C X2



# STEP 16



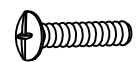
G2 X1



H X2



K X2



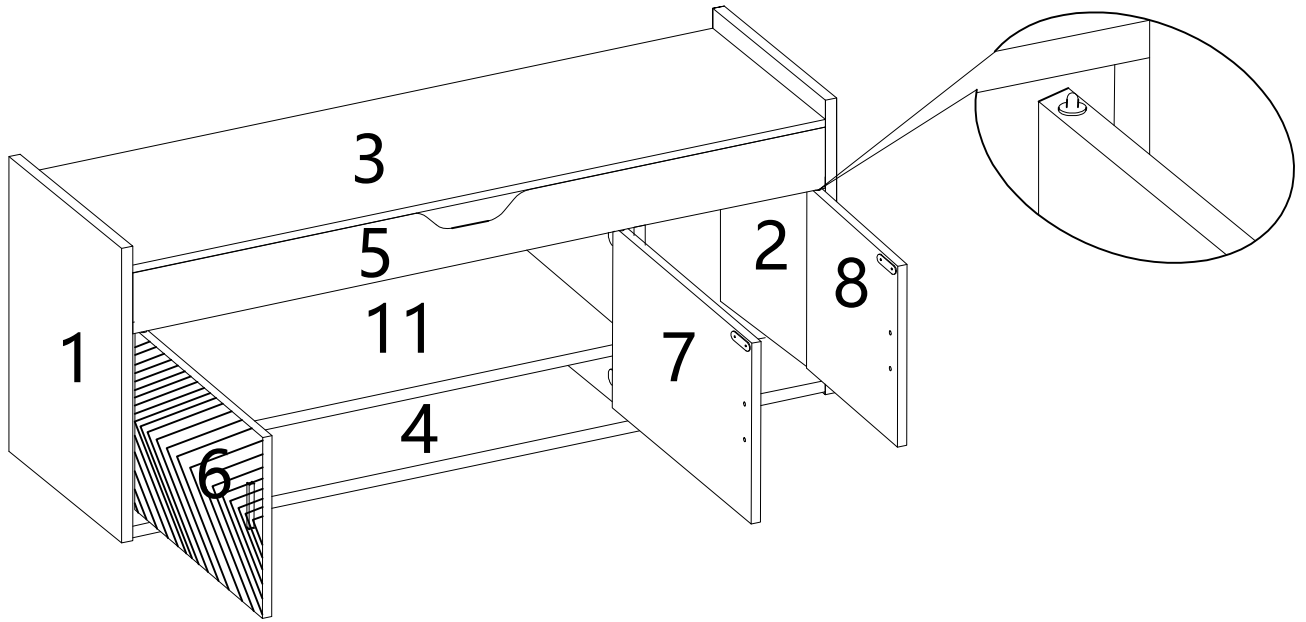
J X1



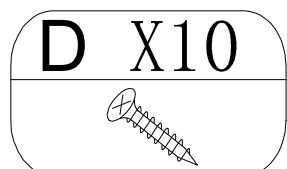
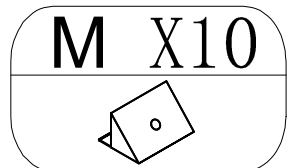
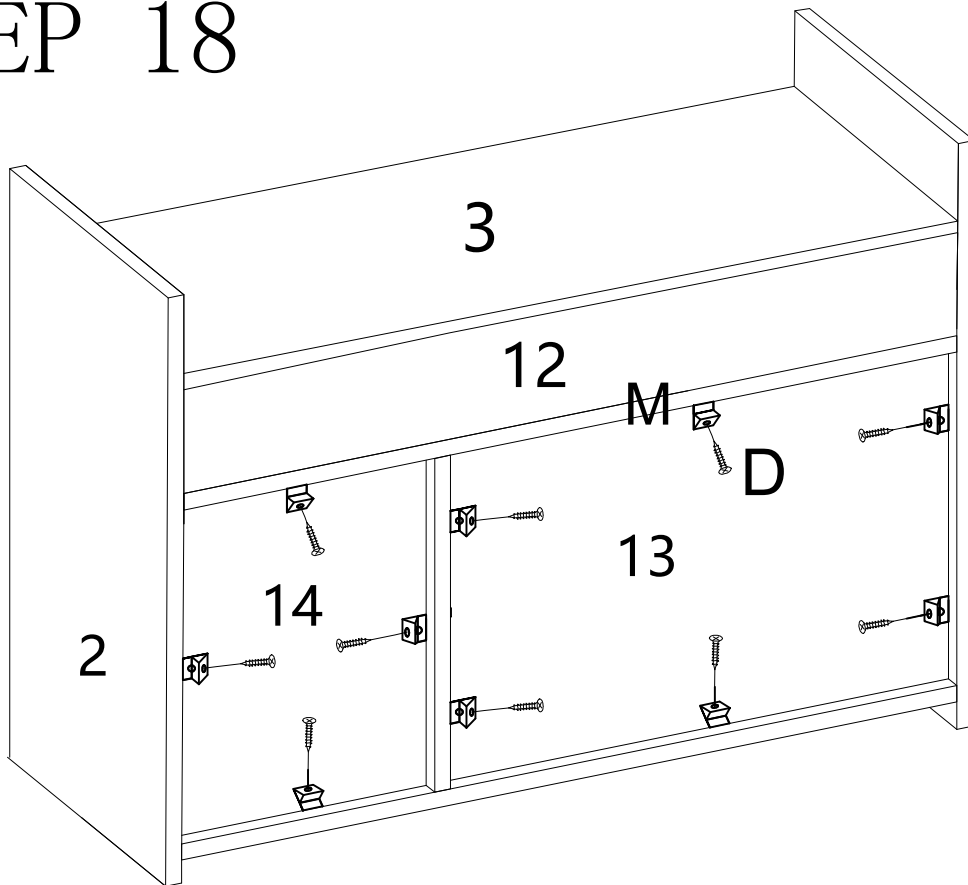
C X2



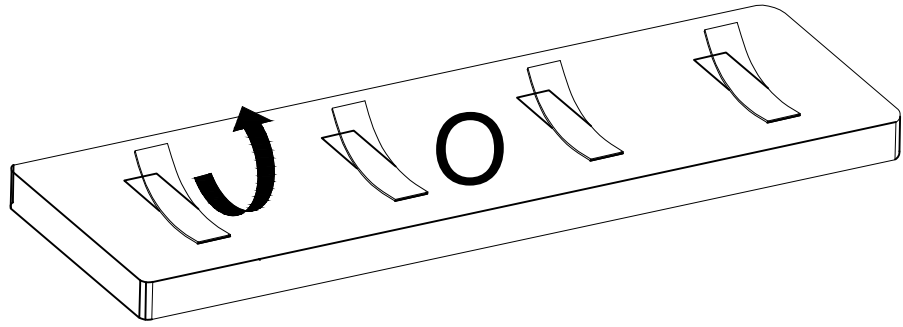
# STEP 17



# STEP 18

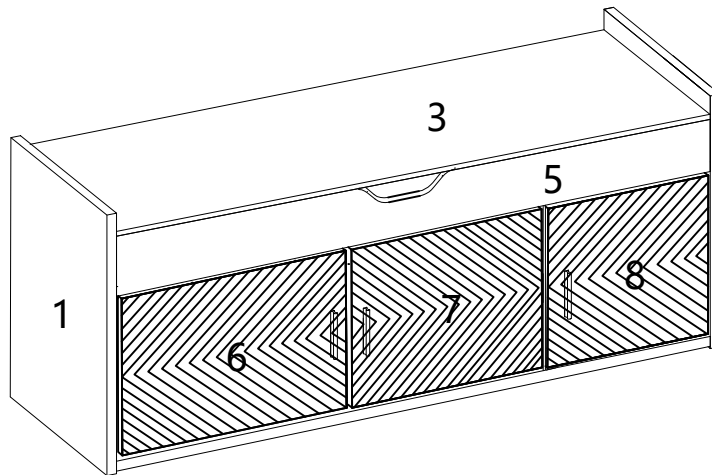


# STEP 19

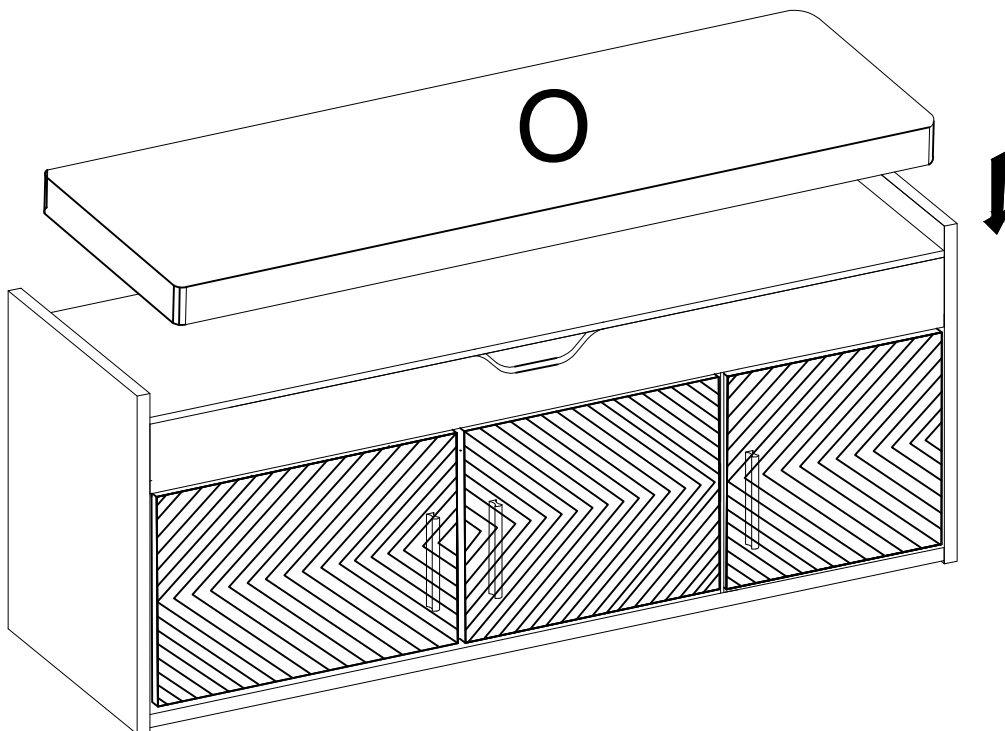


NOTE:

1. Pull off the tape from board O
2. Stick the O to board 3



# STEP 20



After the installation of the shoe changing stool is completed, please do not jump on it.