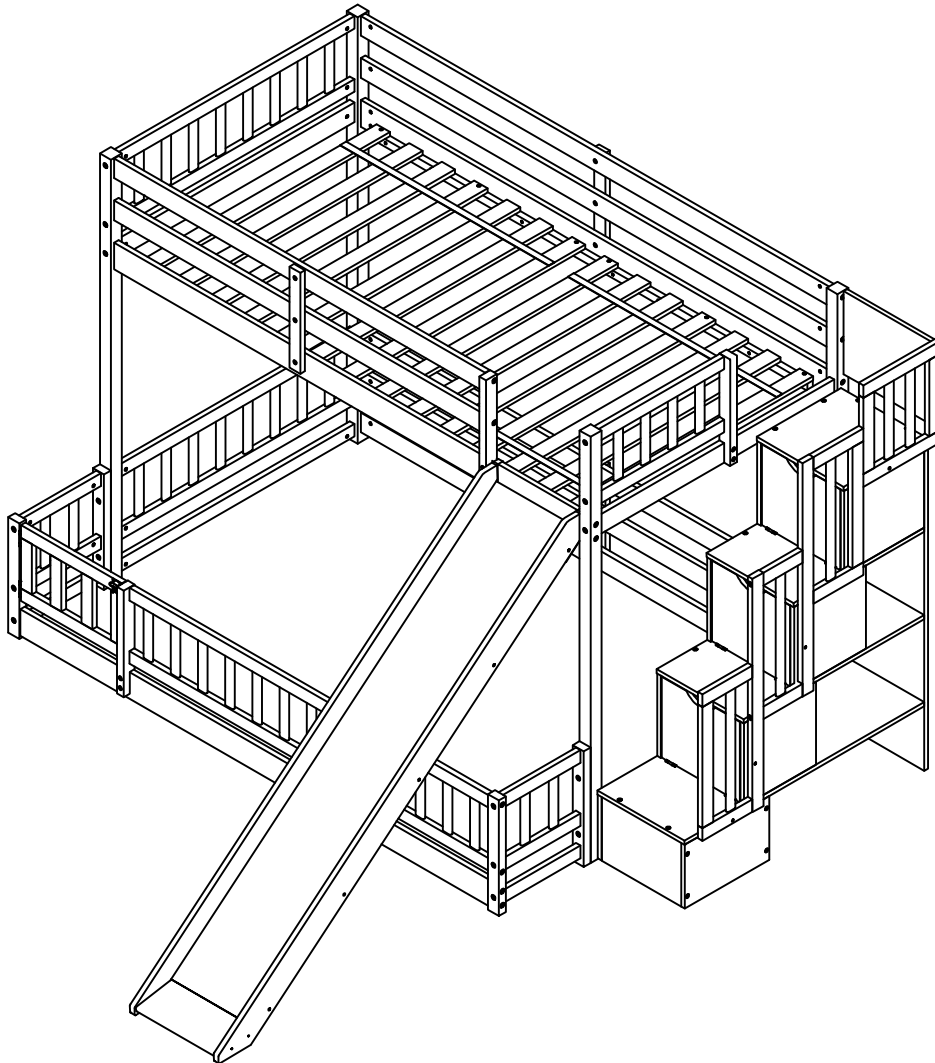


ASSEMBLY INSTRUCTIONS

TWIN /FULL BUNK BED WITH SLIDE AND STORAGE STAIRS





SAFETY WARNING



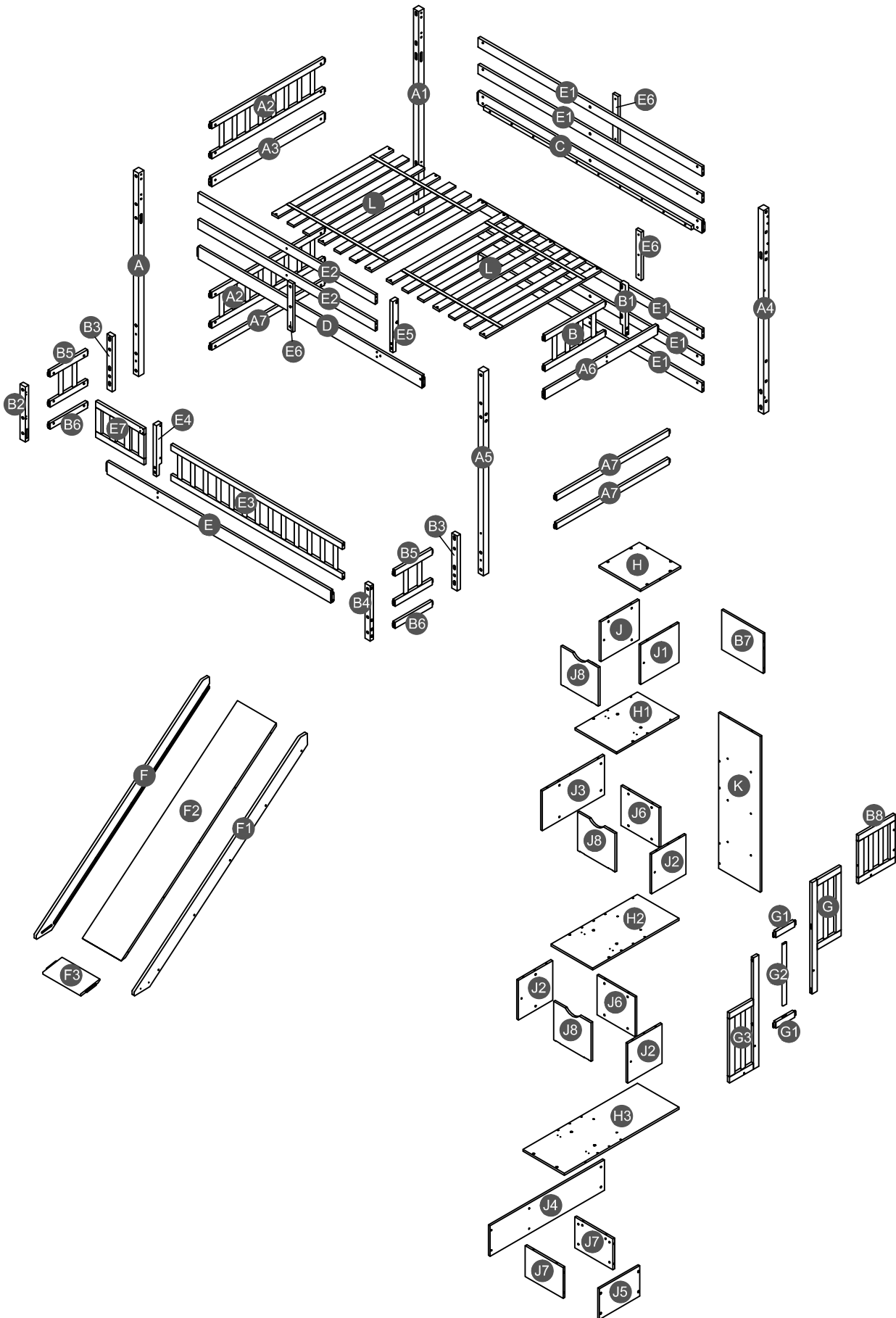
1. This bed is designed for use only mattress (es) meeting the following specifications on the upper bunk:

Up bed (Bunk bed and tribed included)

Bed type	Length	Width	Thickness
Twin Standard	74"-75"	38 1/2"	6" max

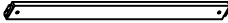
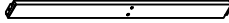



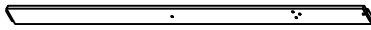

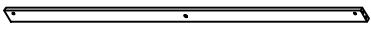
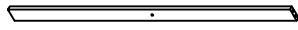





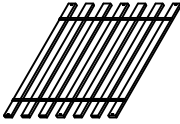
2. Replacement parts, including additional guardrails, maybe obtained from any of our dealers of GigaCloud Technology , USA /18961 ARENTH AVENUE,CITY OF INDUSTRY, CA, 91748
3. Follow the information on the warnings appearing on the upper bunk bed end structure and on the carton. Do not remove warning label from bed.
4. Always use the recommended size mattresses or mattress supports, or both, to help prevent the likelihood of entrapment or falls.
5. Surface of mattress must be at least 5" (127mm) below the upper edge of guardrails.
6. Do not allow children under 6 years of age to use the upper bunk.
7. Periodically check and ensure that the guardrail, ladder, and other components are in their proper position, free from damage, and that all connectors are tight.
8. Do not allow horseplay on or under the bed and prohibit jumping on the bed.
9. Always use the ladder for entering and leaving the upper bunk.
10. Do not use substitute part. Contact the manufacture or dealer for replacement part.
11. Use of a night light may provide added safety precaution for a child using the upper bunk.
12. Always use guardrails on both long sides of the upper bunk. If the bunk bed will be placed next to the wall, the guardrail that runs the full length of the bed should be placed against the wall to prevent entrapment between the bed and wall.
13. The use of water or sleep flotation mattresses is prohibited.
14. STRANGULATION HAZARD - Never attach or hang items to any part of the bunk bed that are not designed for use with the bed; for example, but not limited to, hook, belts and jump ropes.
15. Keep these instruction for future reference.
16. Prohibit more than one person on upper bunk
17. We recommend assembling your bunk bed on the shipping carton to protect your floor or carpet.
18. Be certain all staples are out of the box before beginning assembly on the shipping carton.

Detail View



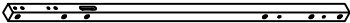
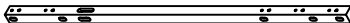
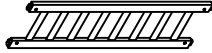
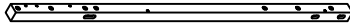
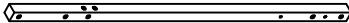

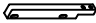
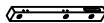
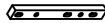
Part List

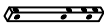
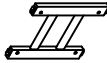
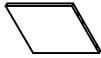
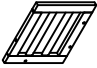
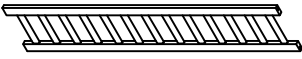
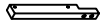
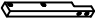

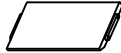


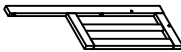
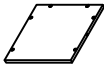



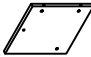
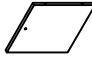


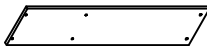





(1-2)

<p>A3</p>  <p>Upper horizontal bar HB - 1pc</p>	<p>A6</p>  <p>Upper horizontal bar FB - 1pc</p>	<p>A7</p>  <p>Lower horizontal bar HB/FB- 3pcs</p>
<p>B6</p>  <p>Lower horizontal bar - 2pcs</p>	<p>C</p>  <p>Upper side rail (Back) - 1pc</p>	<p>D</p>  <p>Upper side rail (Front) - 1pc</p>
<p>E</p>  <p>Lower side rail (Front) - 1pc</p>	<p>E1</p>  <p>Long guard rail (Back) - 5pcs</p>	<p>E2</p>  <p>Short guard rail (Front) - 2pcs</p>
<p>E6</p>  <p>Vertical guard rail - 3pcs</p>	<p>F</p>  <p>Left side ladder -1pc</p>	<p>F1</p>  <p>Right side ladder -1pc</p>
<p>F2</p>  <p>Slide panel -1pc</p>	<p>G1</p>  <p>Horizontal bar - 2pcs</p>	<p>L</p>  <p>Slat (2Sets = 7pcs/set)</p>

Part List

(2-2) + Hardware inside

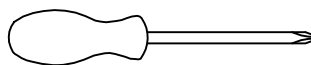
<p>A</p>  <p>Leg (Left front) - 1pc</p>	<p>A1</p>  <p>Leg (Left back) - 1pc</p>	<p>A2</p>  <p>Frame HB - 2pcs</p>
<p>A4</p>  <p>Leg (Right back) - 1pc</p>	<p>A5</p>  <p>Leg (Right front) - 1pc</p>	<p>B</p>  <p>Guard rail FB - 1pc</p>
<p>B1</p>  <p>Vertical guard rail FB - 1pc</p>	<p>B2</p>  <p>Leg (Left) - 1pc</p>	<p>B3</p>  <p>Support - 2pcs</p>

B4  Leg (Right) - 1pc	B5  Lower guard rail - 2pcs	B7  Upper back panel - 1pc
B8  Guard rail - 1pc	E3  Guard rail (Front) - 1pc	E4  Vertical guard rail - 1pc
E5  Vertical guard rail - 1pc	E7  Door - 1pc	F3  Slide base support - 1pc
G  Guard rail - 1pc	G2  Vertical bar - 1pc	G3  Guard rail - 1pc
H  Upper step ladder panel - 1pc	H1  Upper center step ladder panel - 1pc	H2  Lower center step ladder panel - 1pc
H3  Lower step ladder panel - 1pc	J  Upper left side panel - 1pc	J1  Upper right side panel - 1pc
J2  Center left /right side panel - 3pcs	J3  Center left side panel - 1pc	J4  Lower left side panel - 1pc
J5  Lower right side panel - 1pc	J6  Center panel - 2pcs	J7  Lower front panel - 2pcs
J8  Upper front panel - 3pcs	K  Back panel - 1pc	

Hardware List (2-2)



1  Ø10*40mm Wood dowel (14pcs)	2  Ø8*30mm Wood dowel (22pcs)	3  (Ø15)1/4"*100mm Hex-Head bolts (26pcs)
4  (Ø15)1/4"*80mm Hex-Head bolts (28pcs)	5  (Ø12)1/4"*70mm Hex-Head bolts (14pcs)	6  (Ø12)1/4"*60mm Hex-Head bolts (49pcs)
7  (Ø12)1/4"*40mm Hex-Head bolts (6pcs)	8  (Ø12)1/4"*35mm Hex-Head bolts (6pcs)	9  (Ø12)1/4"*30mm Hex-Head bolts (12pcs)
10  1/4"*15 (9.5mm) Horizontal-Hole bolts(116pcs)	11  Ø4*30mm Wood screws (16pcs)	12  Ø3.5*15mm Wood screws (40pcs)
13  (Ø12)1/4"*50mm Hex-Head bolts (14pcs)	14  (Ø12)1/4"*40mm Hex-Head bolts (6pcs)	15  Ø13"*3mm Spring Washer (14pcs)
16  142*18*2mm Hooks (2pcs)	17  40*17*17*1.6mm Metal bracket (1pc)	18  45*17*13mm Door catch (3pcs)
19  42*12*1mm Metal magnet (3pcs)	20  55*27*6mm(180°) Hinges (2pcs)	21  60*38*10mm Lock (1pc)
22  (1/4")4.5*58mm Allen key (1pc)		

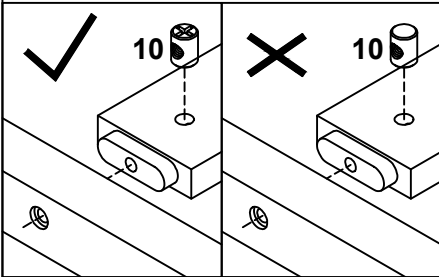
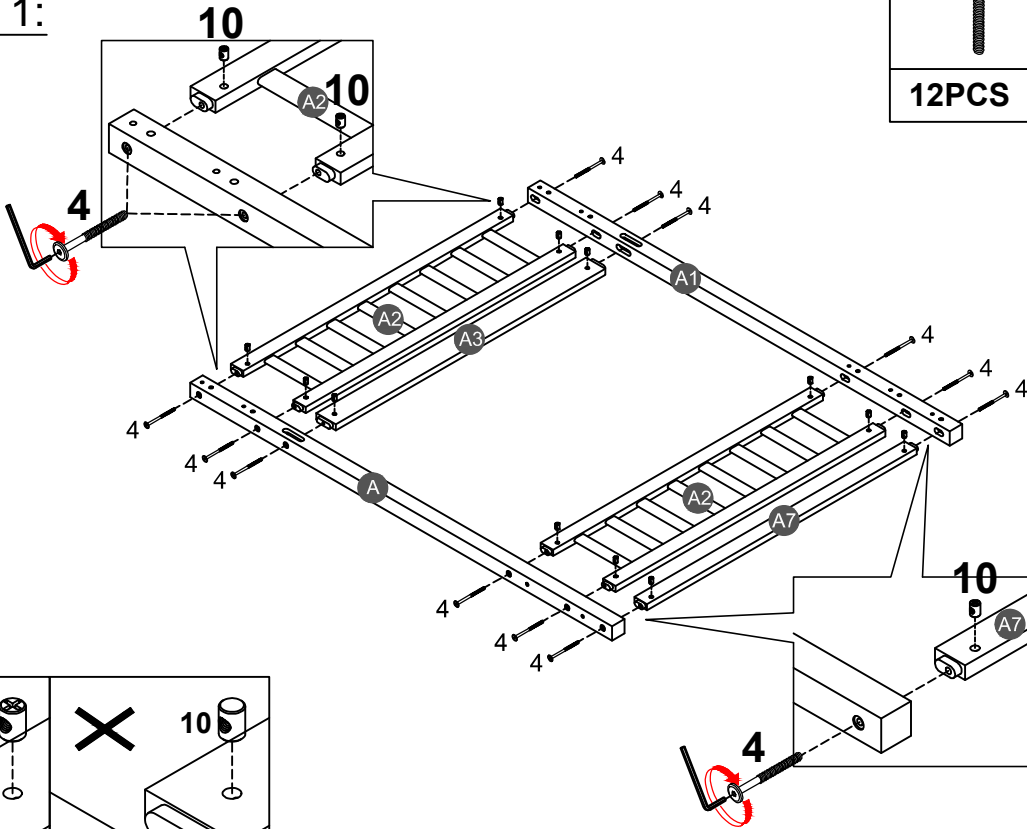
ASSEMBLY TOOLS REQUIRED (NOT INCLUDED)



PLEASE BE CAREFUL DO NOT DAMAGE THE HOLE POSITION WHEN YOU USE POWER TOOLS !



STEP 1:

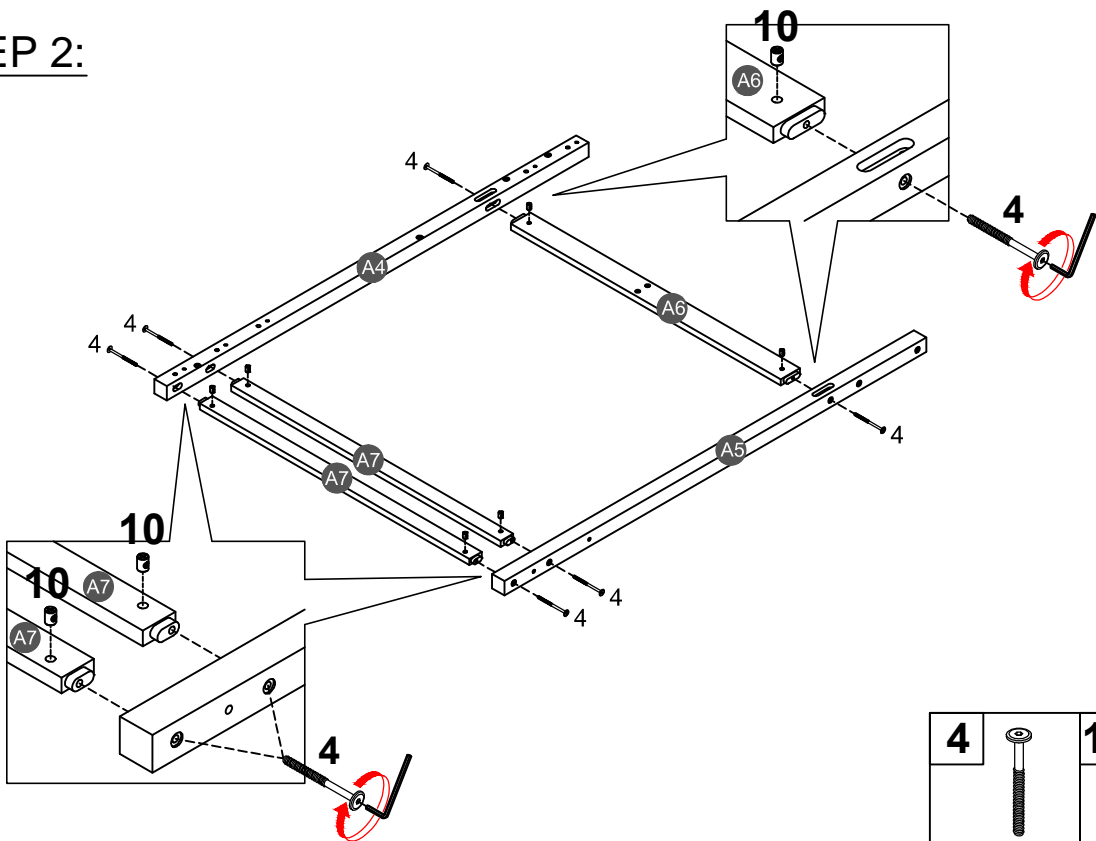
4		10	
12PCS		12PCS	



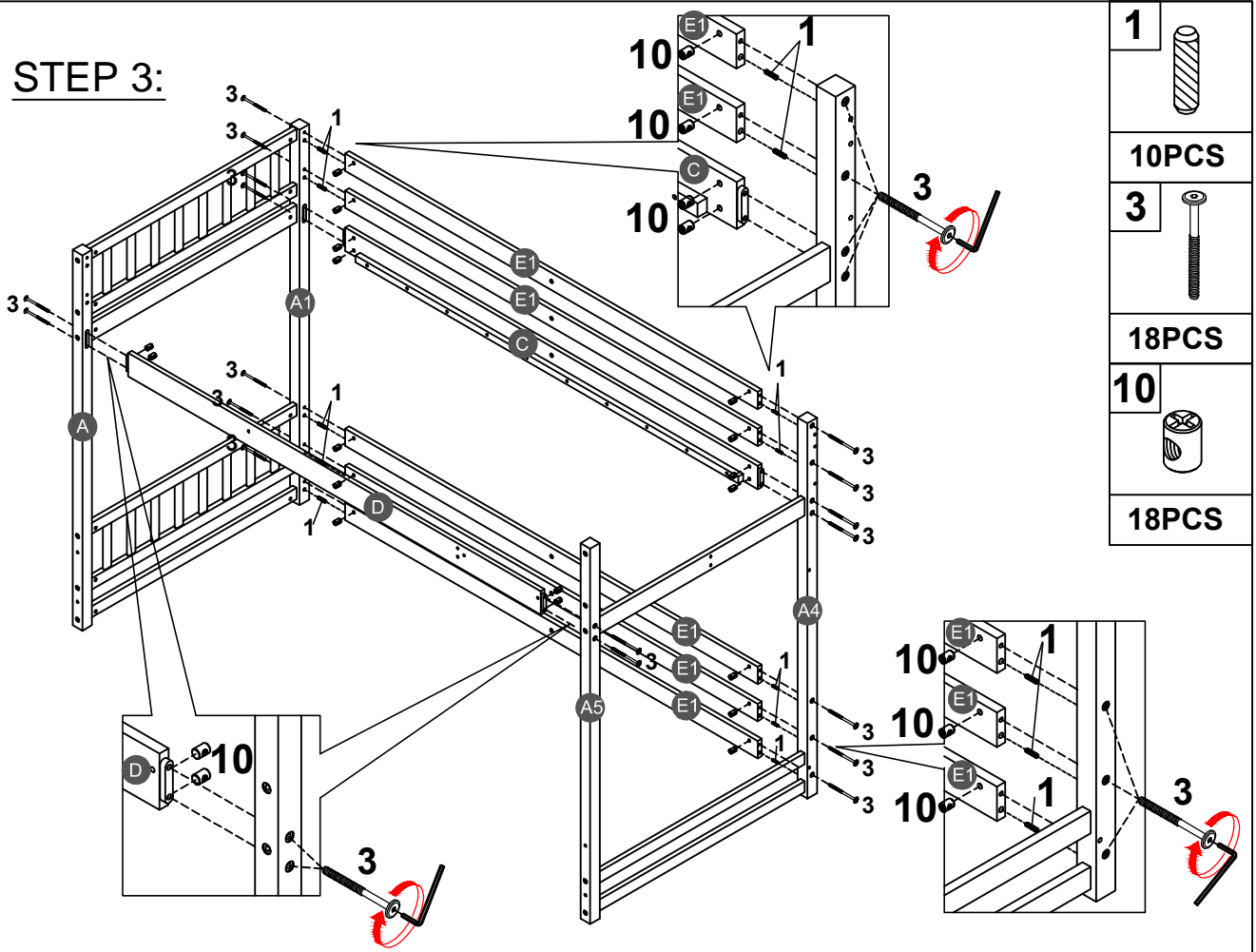
Note: Part 10 will face up with the "x" mark on it, otherwise it cannot be tightened

STEP 2:

4		10	
6PCS		6PCS	

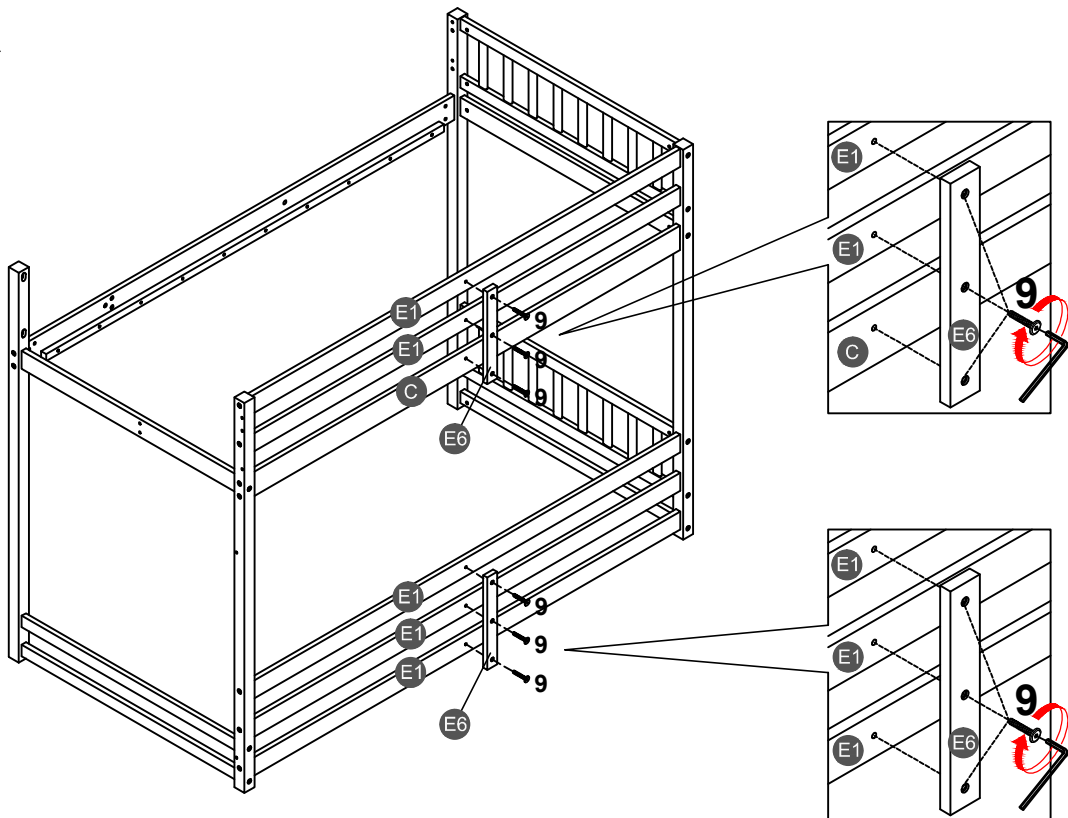


STEP 3:



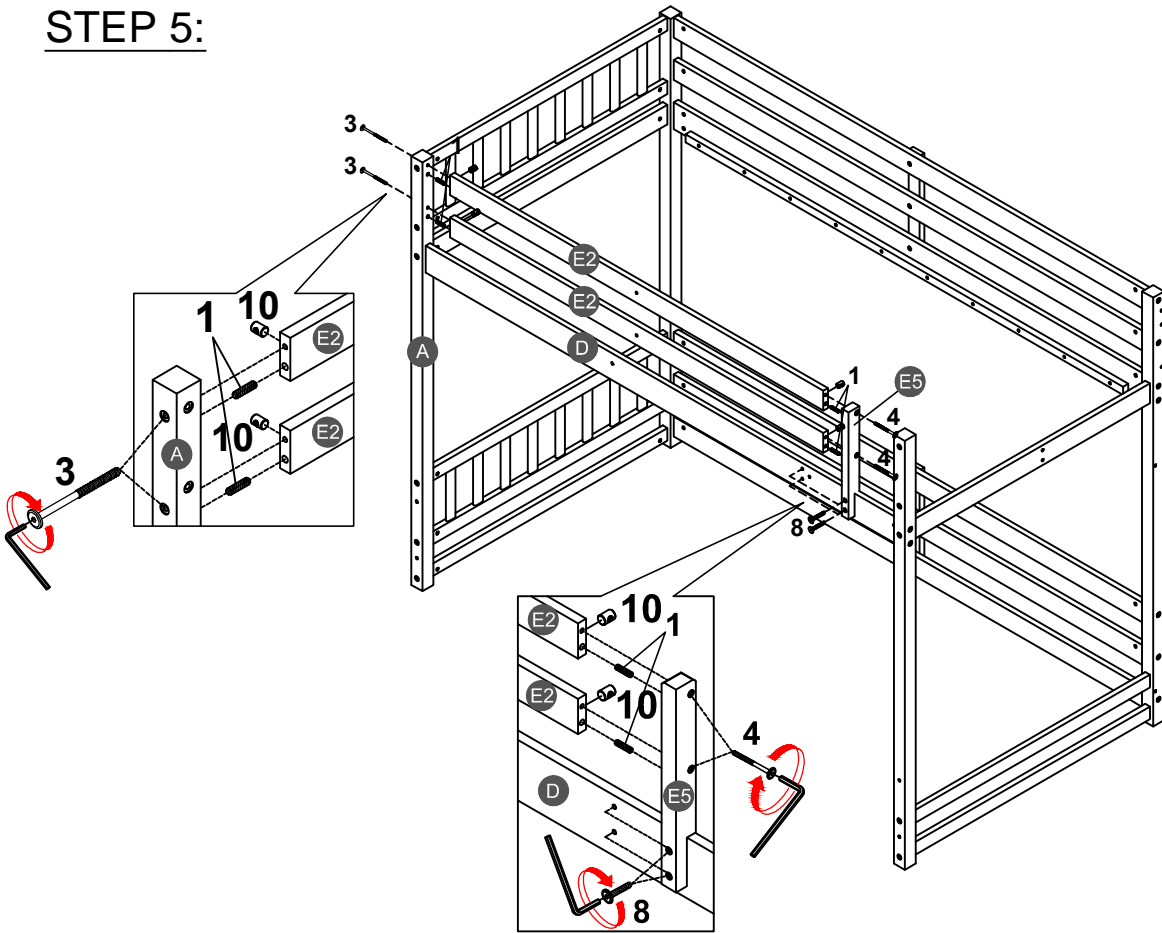
1	
10PCS	
3	
18PCS	
10	
18PCS	






STEP 4:



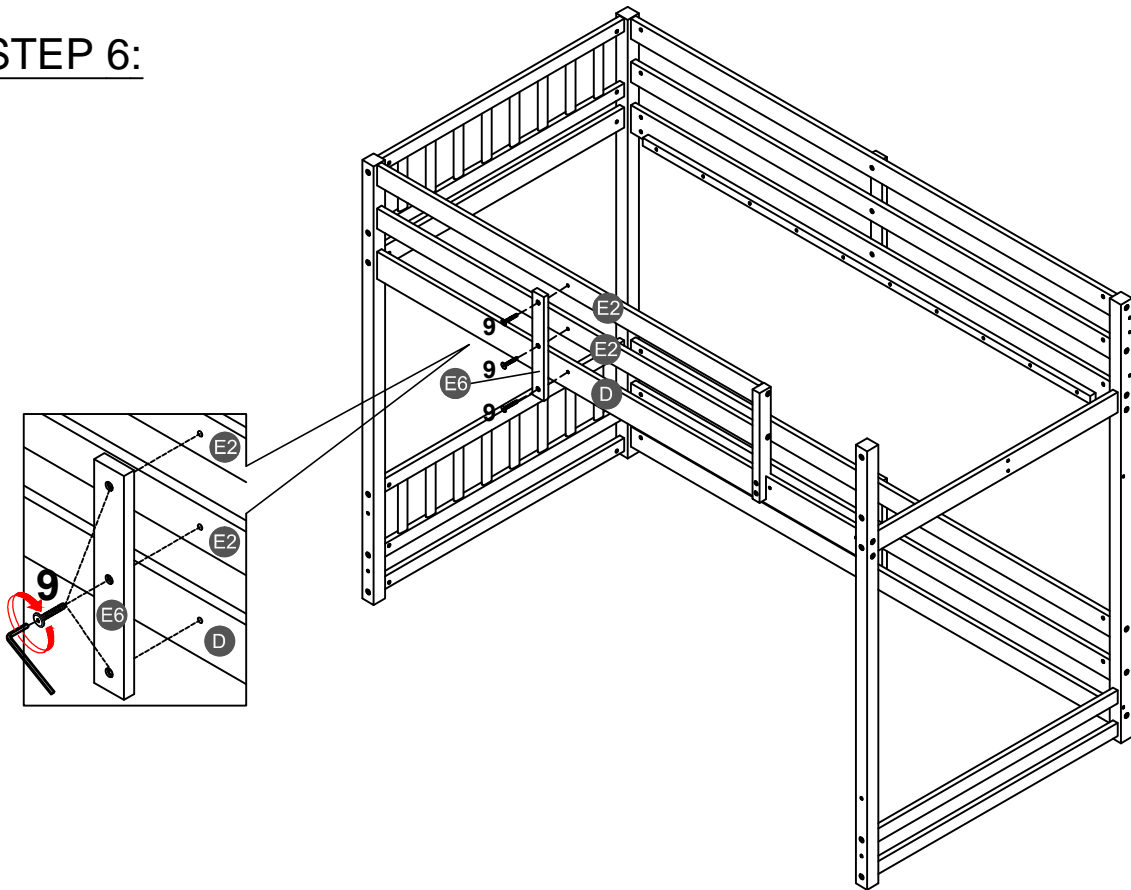
9	
6PCS	


STEP 5:







- 1**  **4PCS**
- 3**  **2PCS**
- 4**  **2PCS**
- 8**  **2PCS**
- 10**  **4PCS**

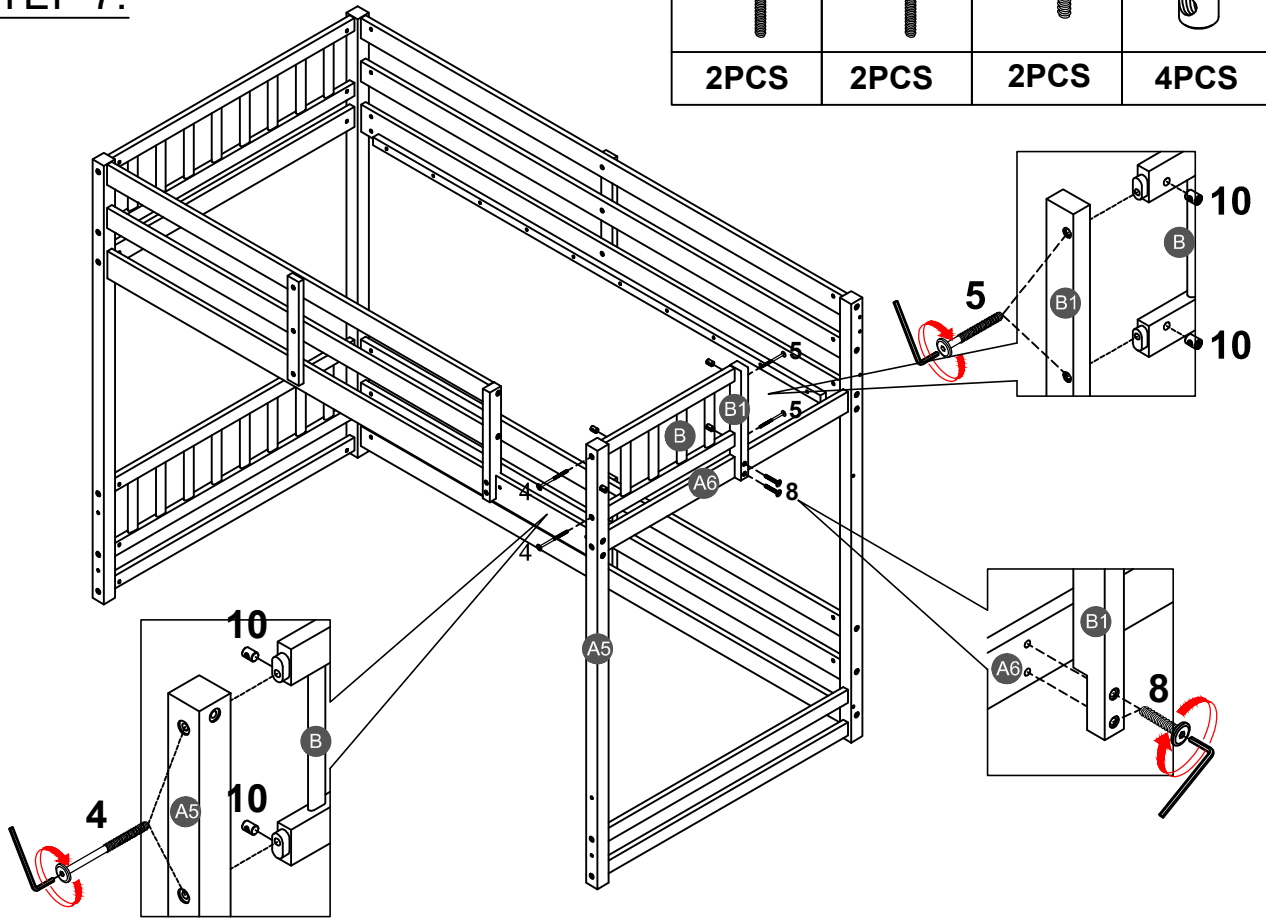
STEP 6:





- 9**  **3PCS**

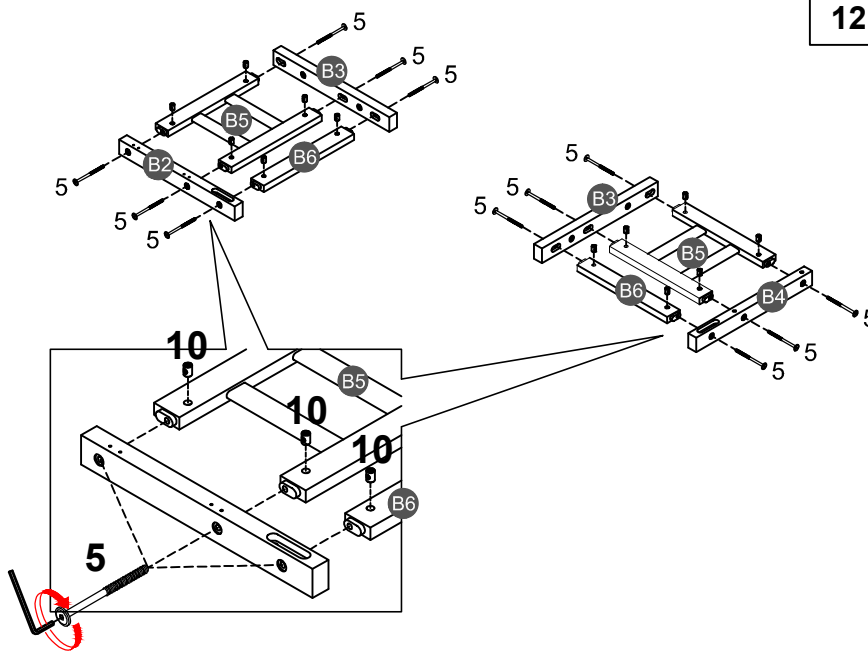
STEP 7:

4		5		8		10	
2PCS		2PCS		2PCS		4PCS	

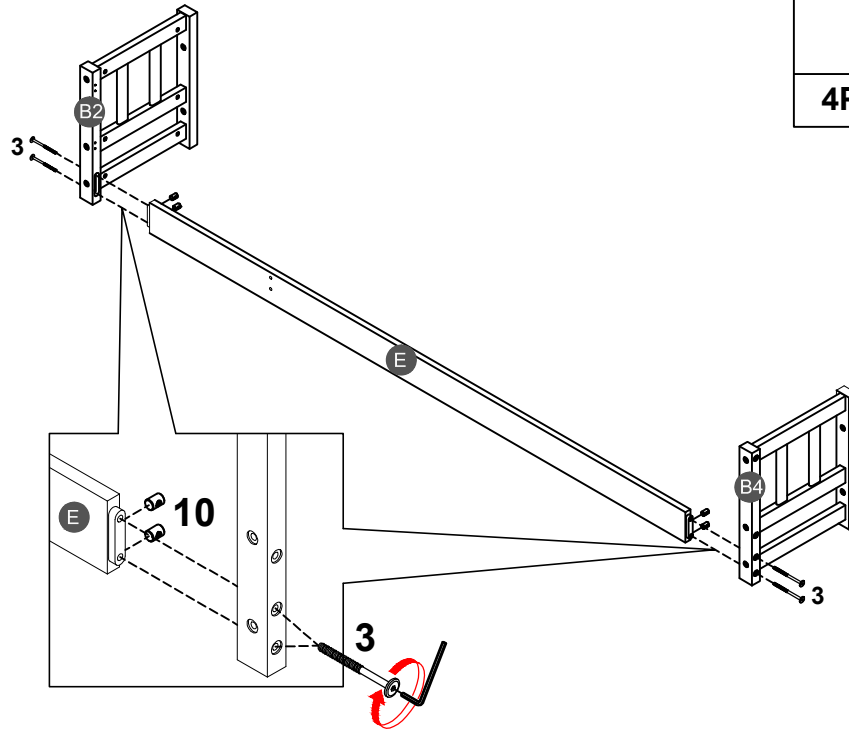




STEP 8:

5		10	
12PCS		12PCS	

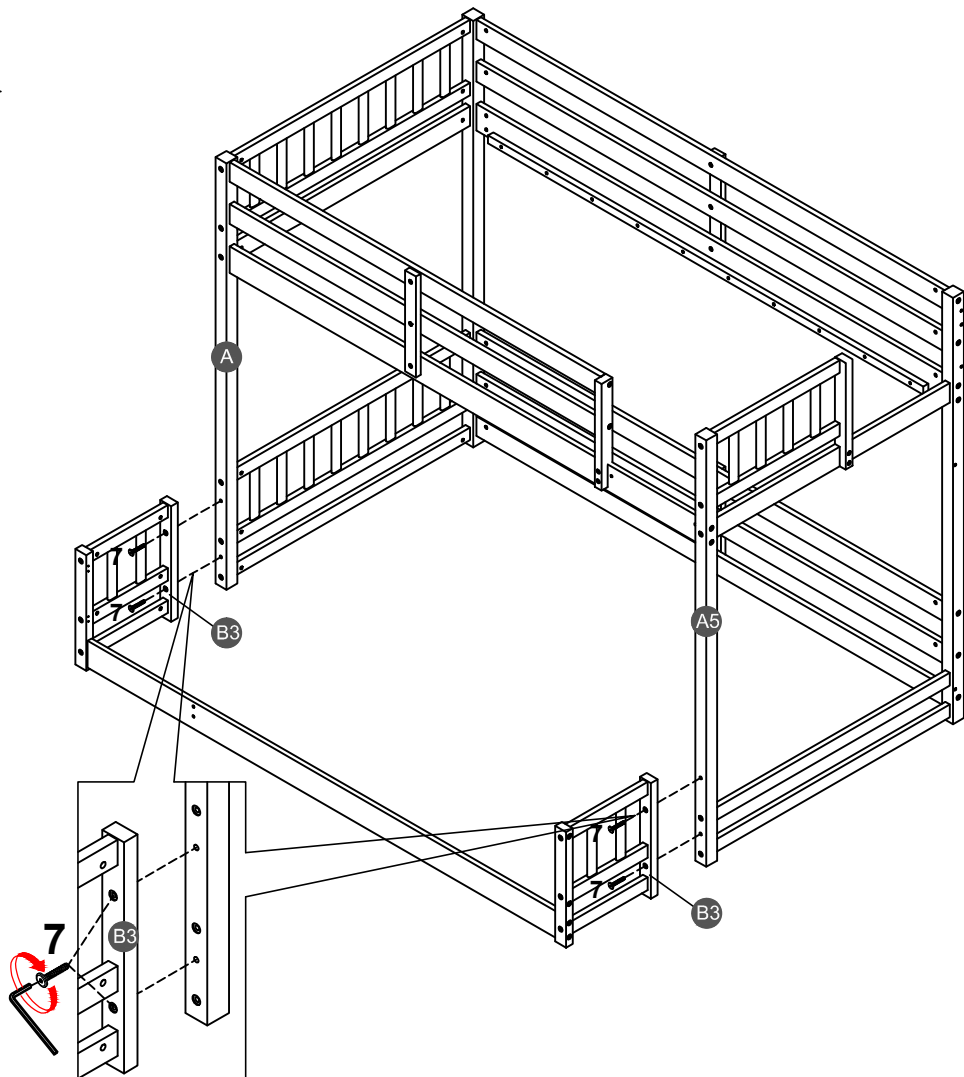



STEP 9:



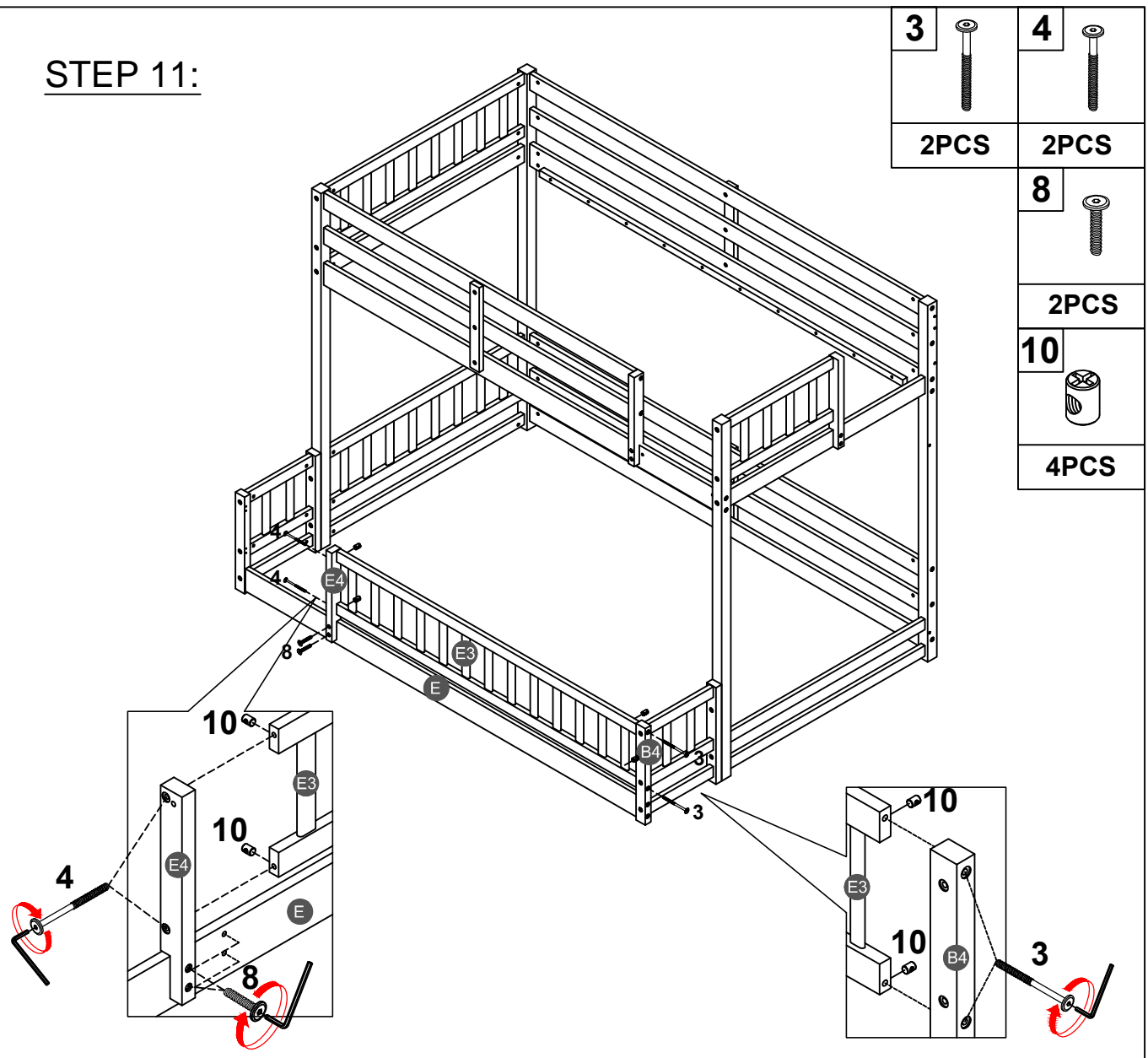
3		10	
4PCS		4PCS	

STEP 10:



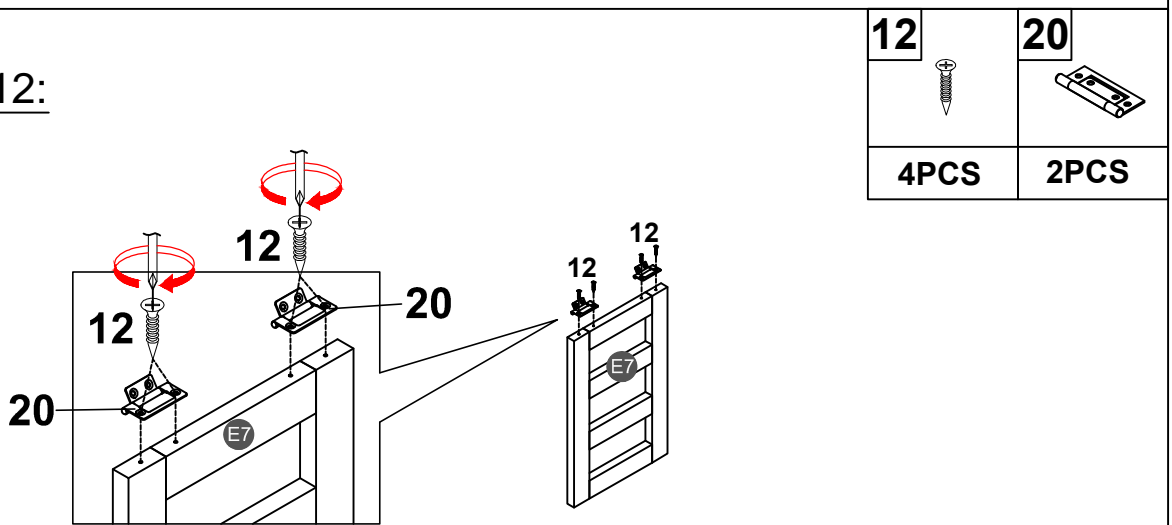
7	
4PCS	

STEP 11:




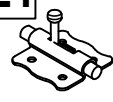
3		4	
2PCS		2PCS	
8		2PCS	
10		4PCS	

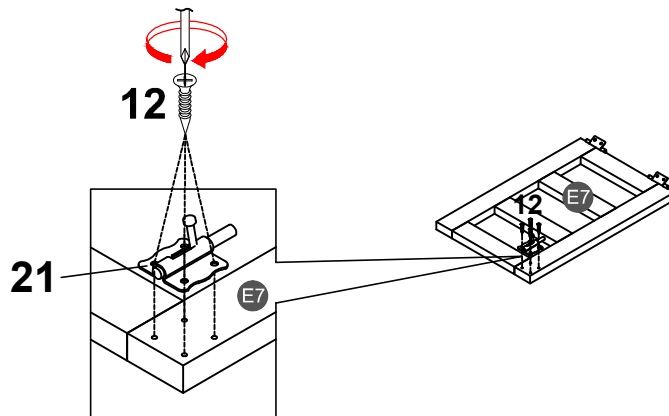
STEP 12:




12		20	
4PCS		2PCS	

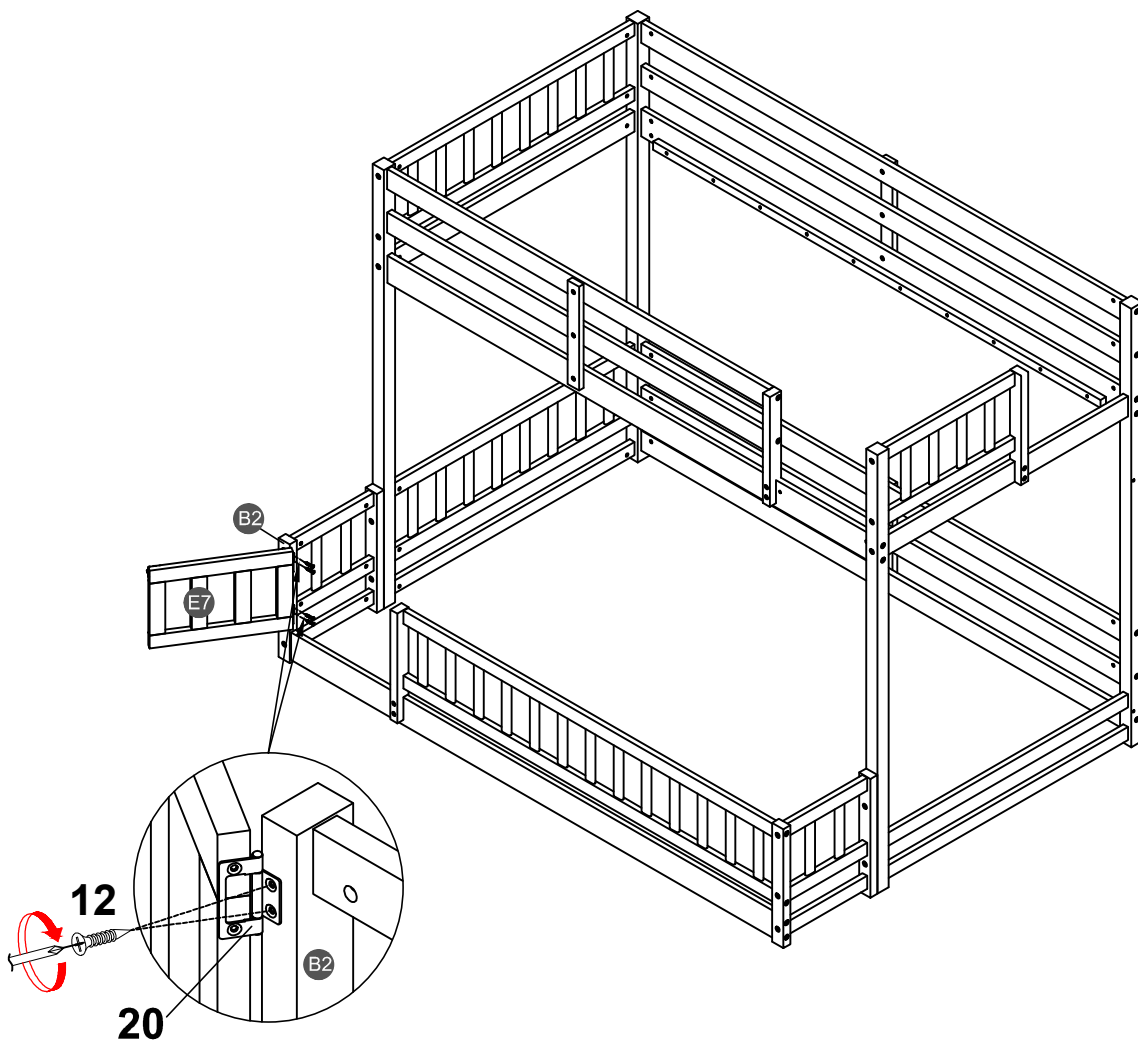
STEP 13:

12 	21 
4PCS	1PC

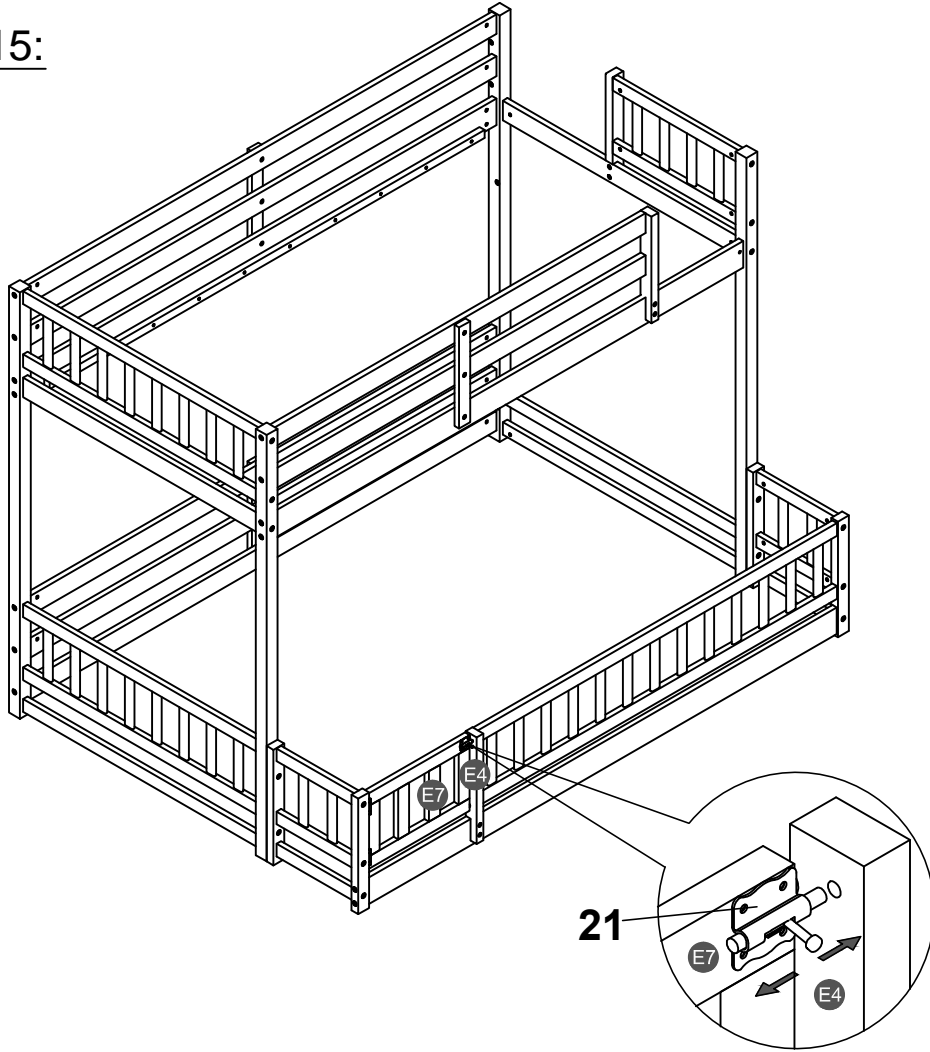


STEP 14:

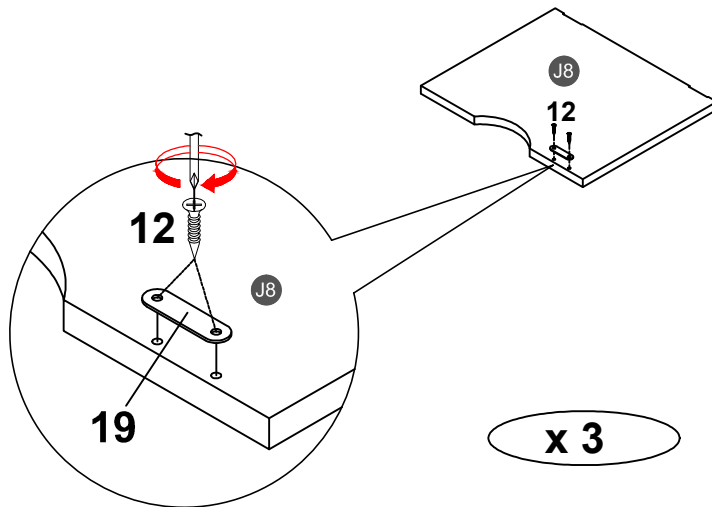
12 
4PCS





STEP 15:

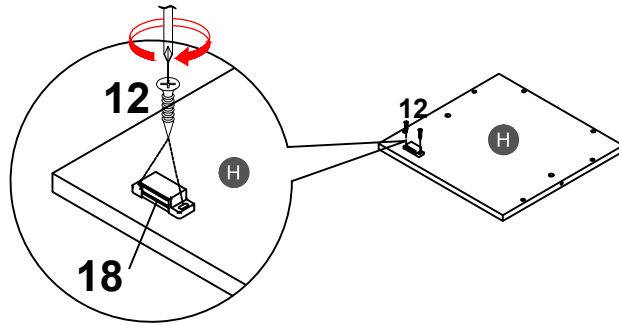



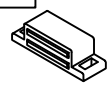
STEP 16:



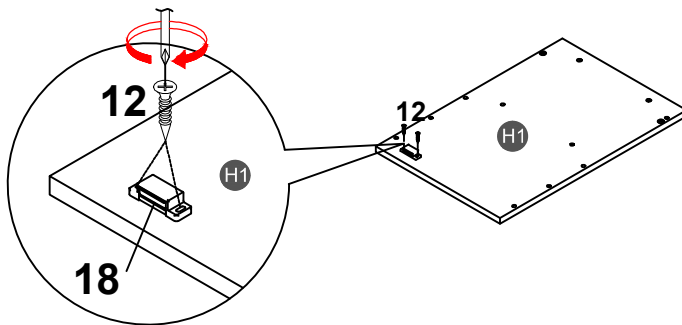
12		19	
6PCS		3PCS	


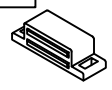
STEP 17:



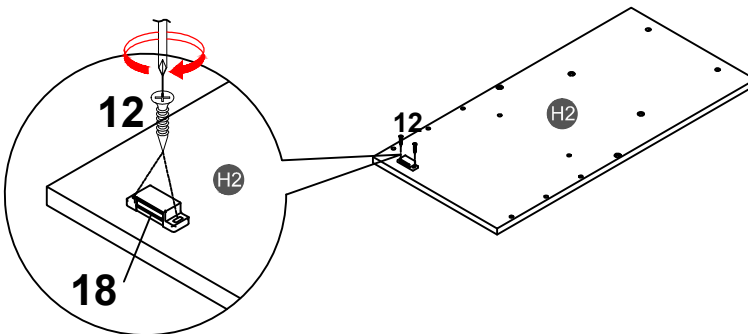
12		18	
2PCS		1PC	


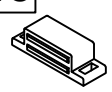
STEP 18:



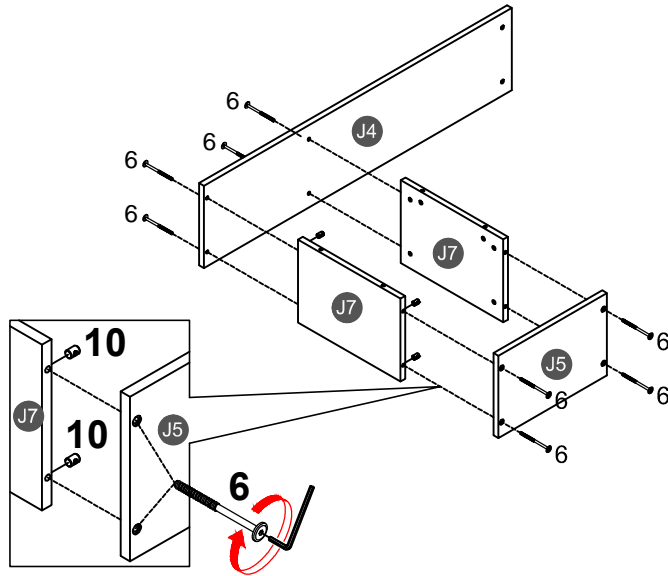
12		18	
2PCS		1PC	

STEP 19:



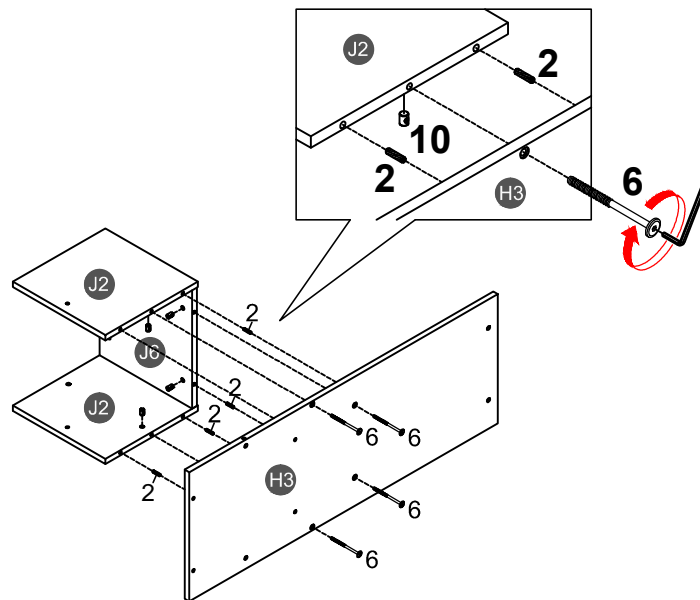
12		18	
2PCS		1PC	

STEP 20:



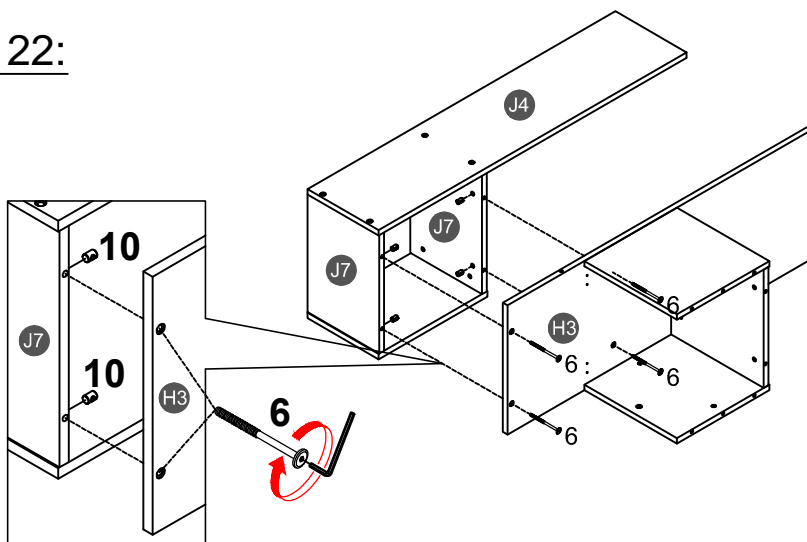
6		10	
8PCS		8PCS	

STEP 21:



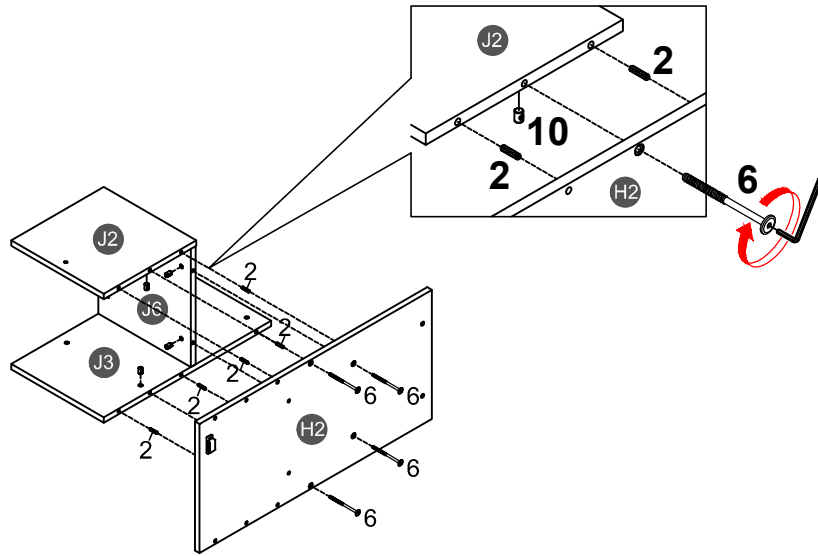
2	
4PCS	
6	
4PCS	
10	
4PCS	

STEP 22:



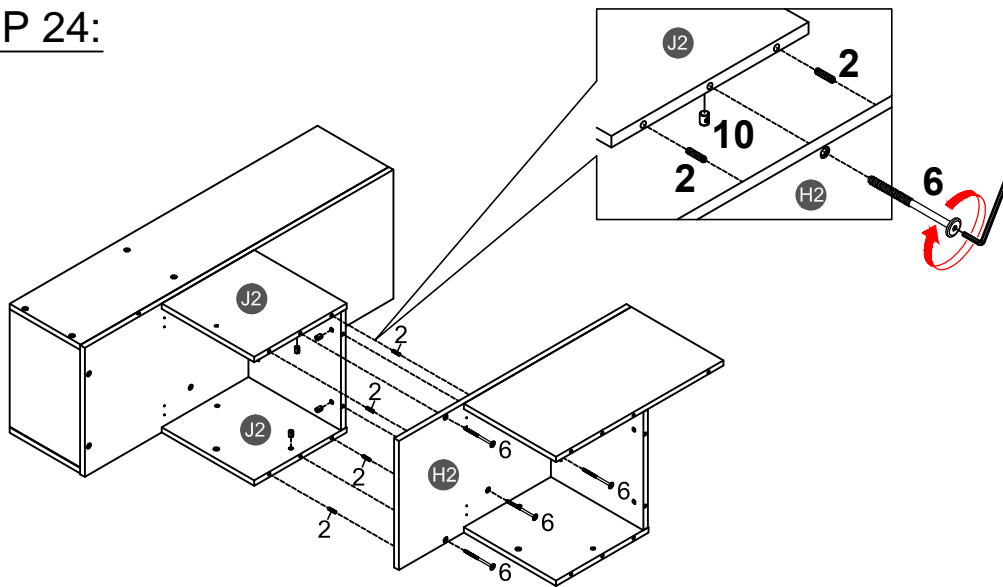
6	
4PCS	
10	
4PCS	

STEP 23:



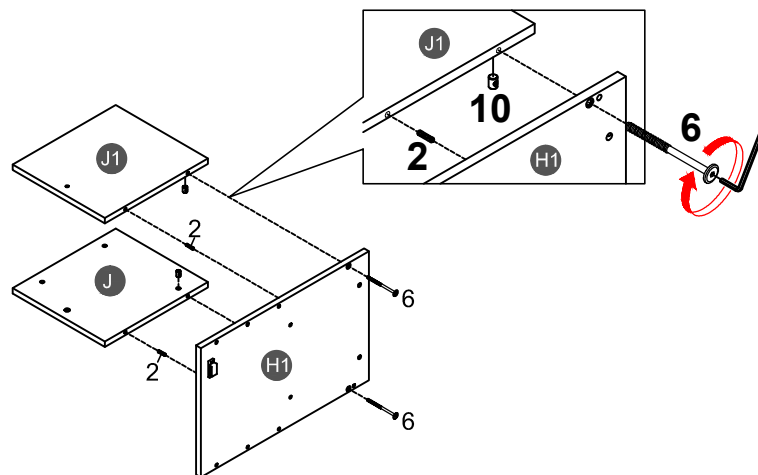
2	
5PCS	
6	
4PCS	
10	
4PCS	

STEP 24:



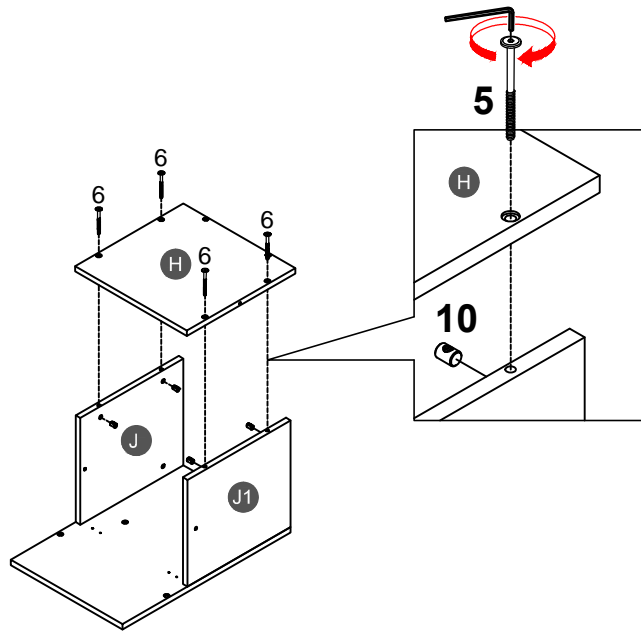
2	
4PCS	
6	
4PCS	
10	
4PCS	


STEP 25:




2	
2PCS	
6	
2PCS	
10	
2PCS	

STEP 26:



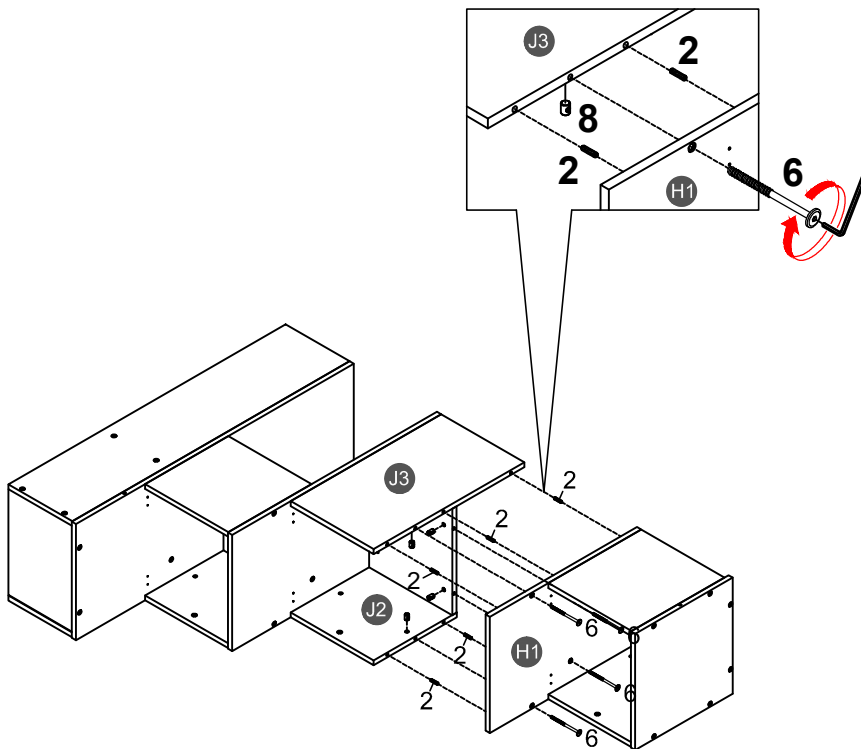
6 

4PCS

10 


4PCS

STEP 27:




2 

5PCS

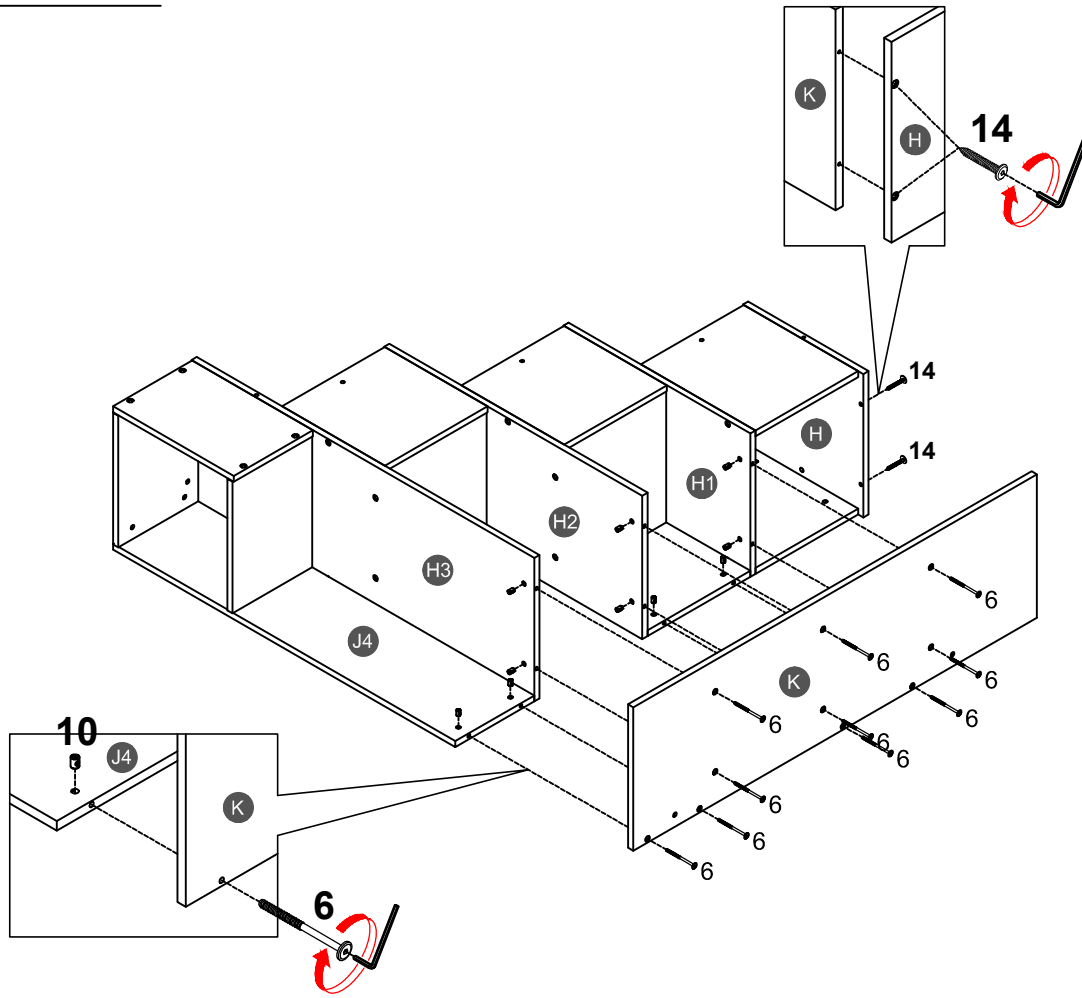
6 

4PCS

10 

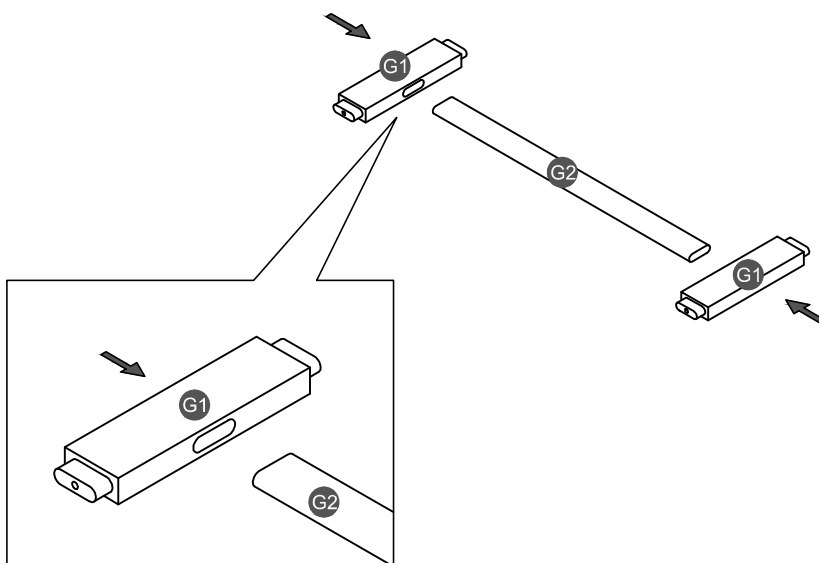
4PCS

STEP 28:





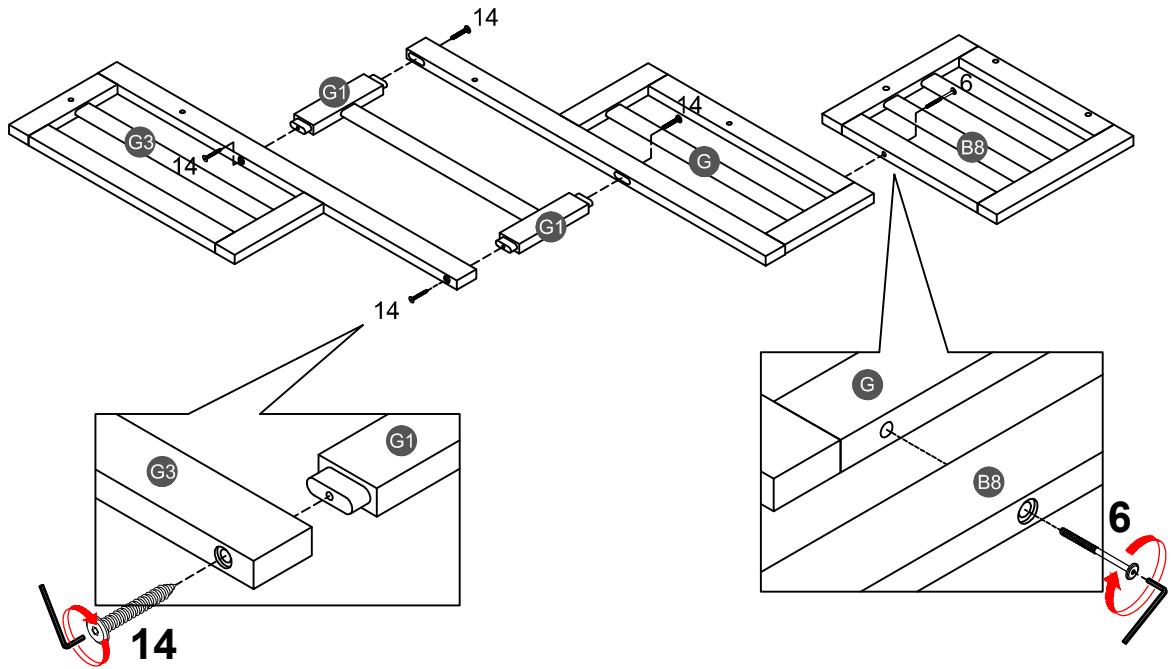
6	
10PCS	
10	
10PCS	
14	
2PCS	

STEP 29:

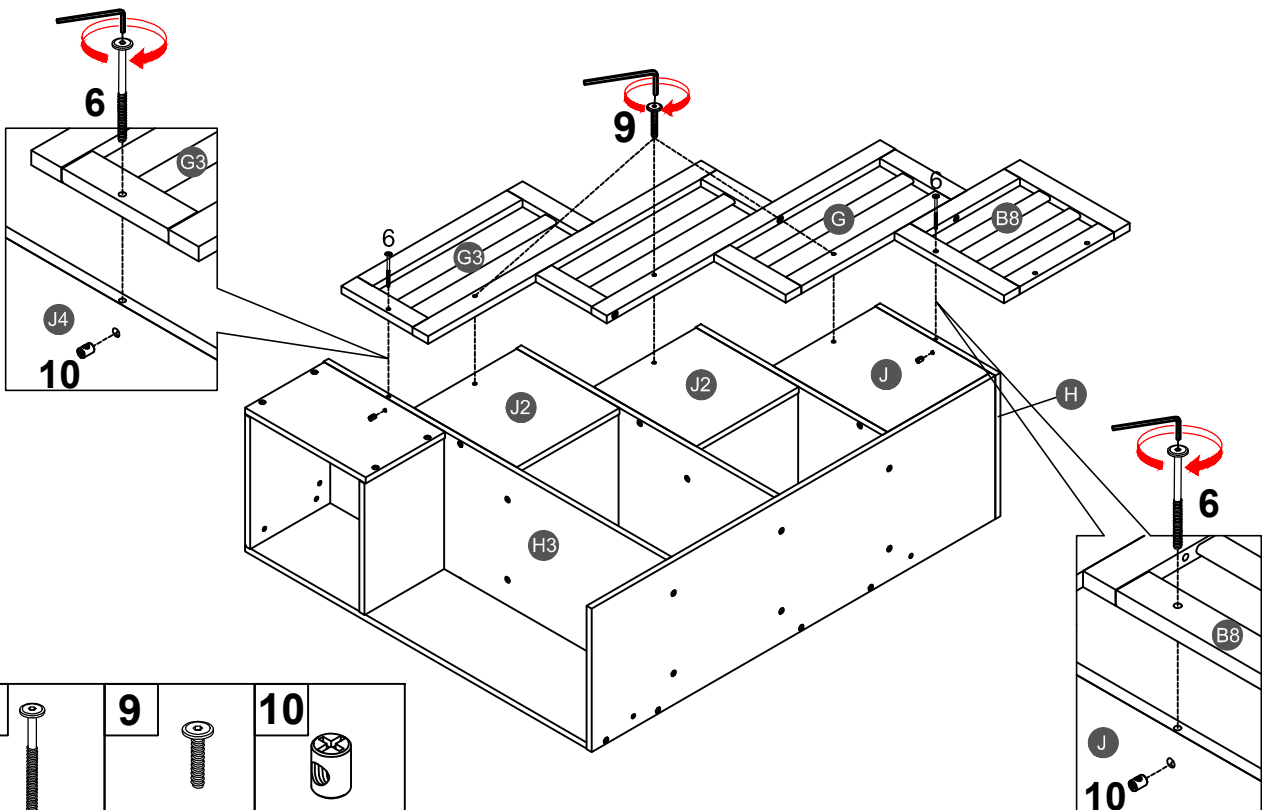





STEP 30:

6		14	
1PC		4PCS	

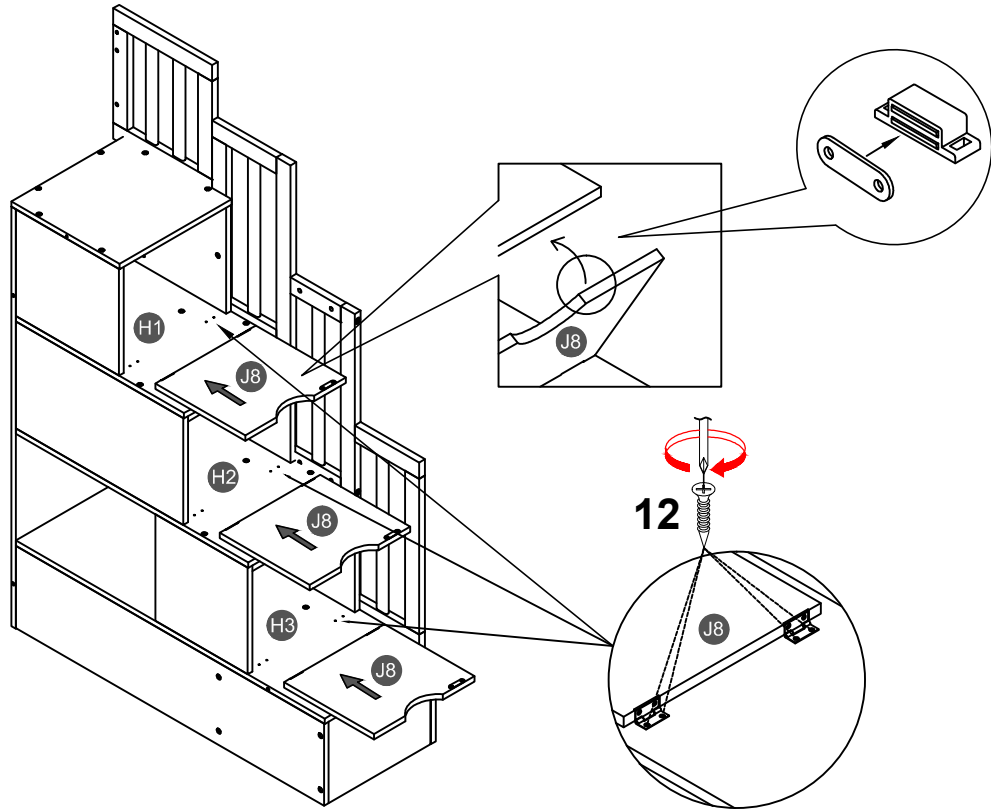



STEP 31:






6		9		10	
2PCS		3PCS		2PCS	

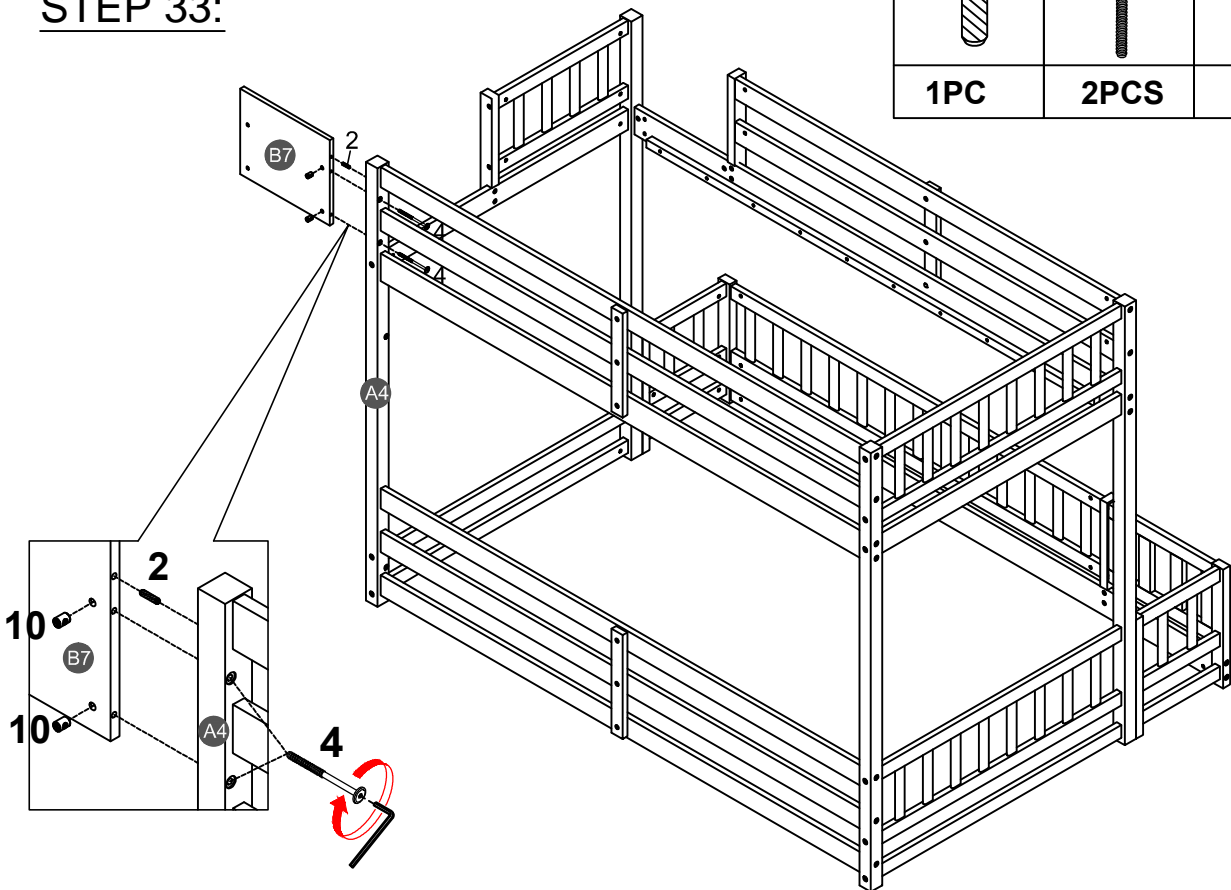
STEP 32:



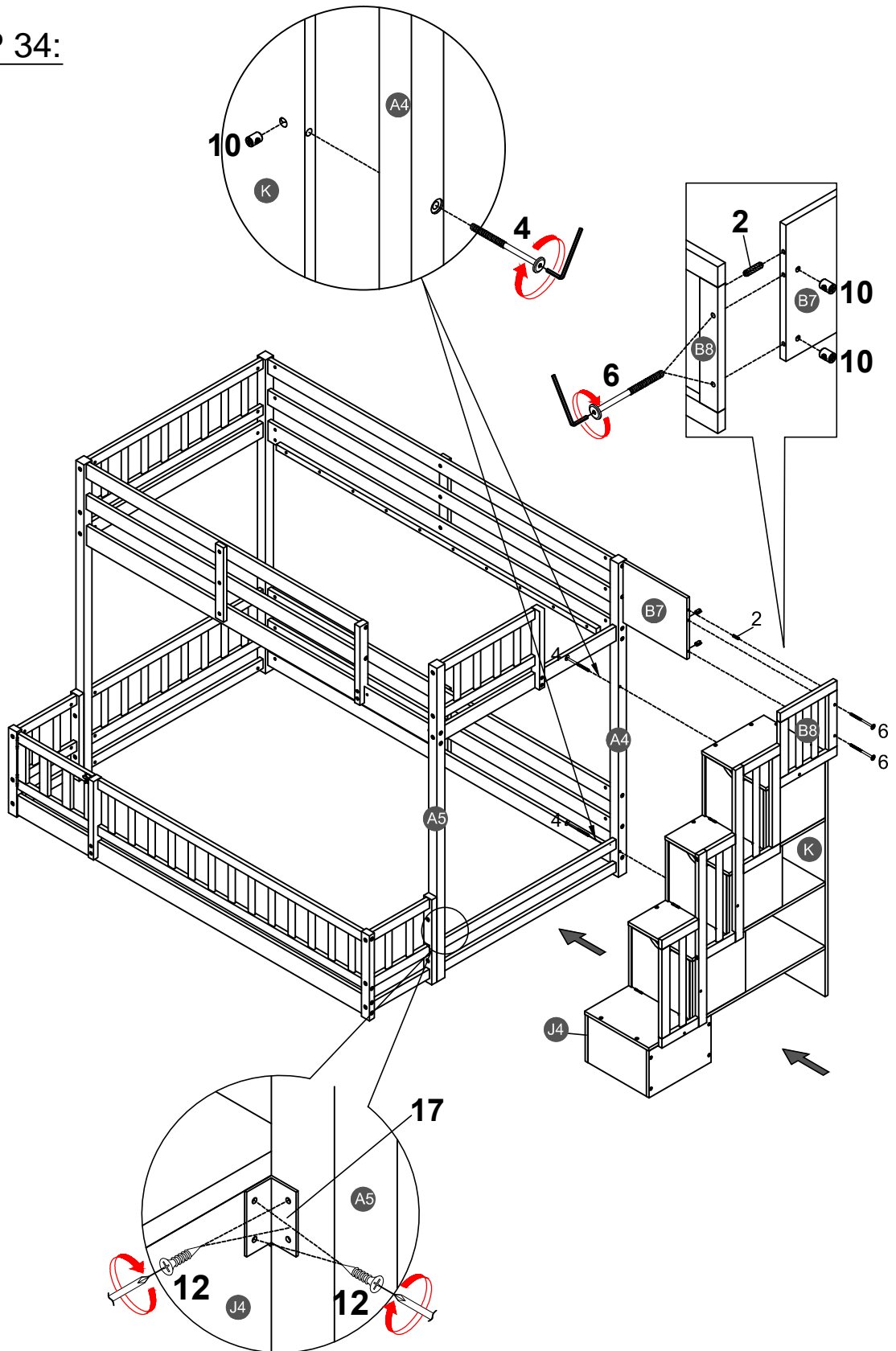
12	
12PCS	


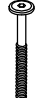




STEP 33:

2		4		10	
1PC		2PCS		2PCS	

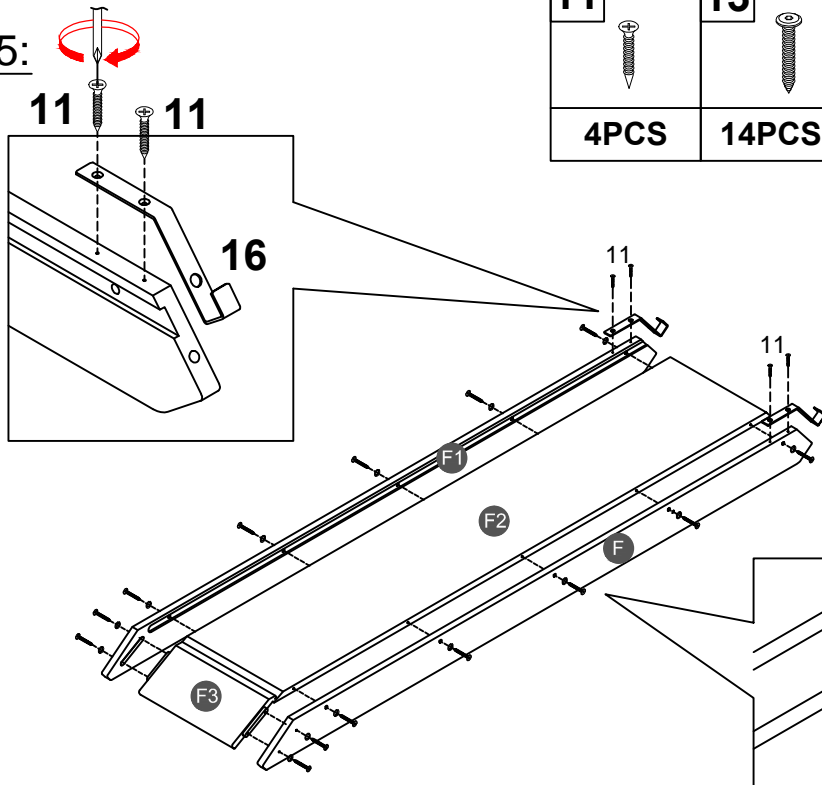






STEP 34:



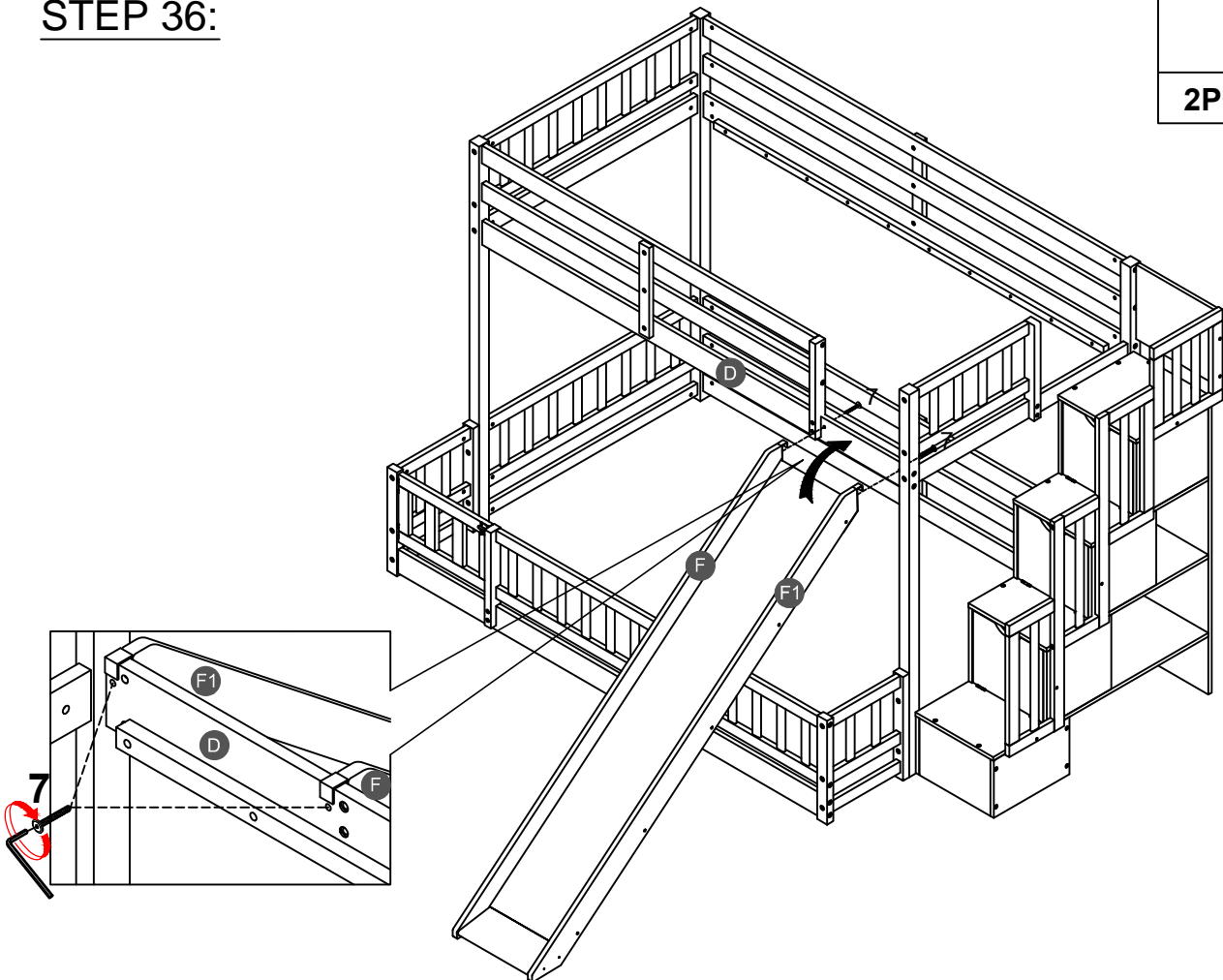
2		6		4		10		12		17	
1PC		2PCS		2PCS		4PCS		2PCS		1PC	


STEP 35:



11 	13 	15 	16 
4PCS	14PCS	14PCS	2PCS

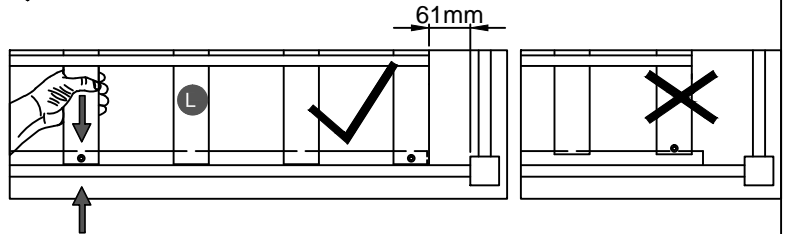
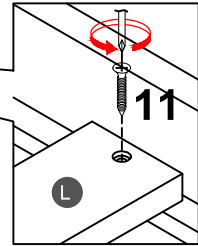
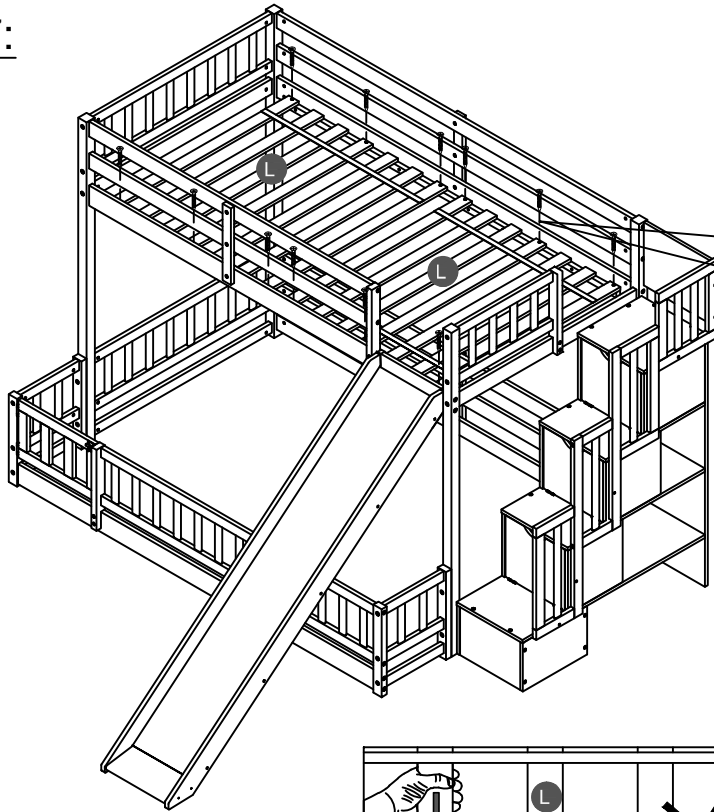
STEP 36:



7 
2PCS

STEP 37:

11
12PCS



NOTE: Please make sure the bed slats close to the side rail before locking the screws to avoid breakage. This step is required for both the left and right sides. Moreover, please do not lock the screws of the bed slats at the outermost edge to avoid damaging.

