

Please go to [www.quezel.com](http://www.quezel.com) for product cleaning tips. Go to the **Care + Maintenance** selection.

**Tools Required:** Flathead screwdriver, Phillips screwdriver, pliers, wire cutters, wire strippers, electrical tape, safety glasses, ladder, drill with 7/32-inch drill bit.

**Light Source:** Integrated LED 26W

**Estimated Assembly Time:** 45-60 minutes

**Preparation:** Identify and inspect all parts before beginning installation. Check package content list and diagrams below to be sure all parts are present. If any parts are missing or damaged, do not attempt to assemble, install, or operate the fixture. Contact your original place of purchase.

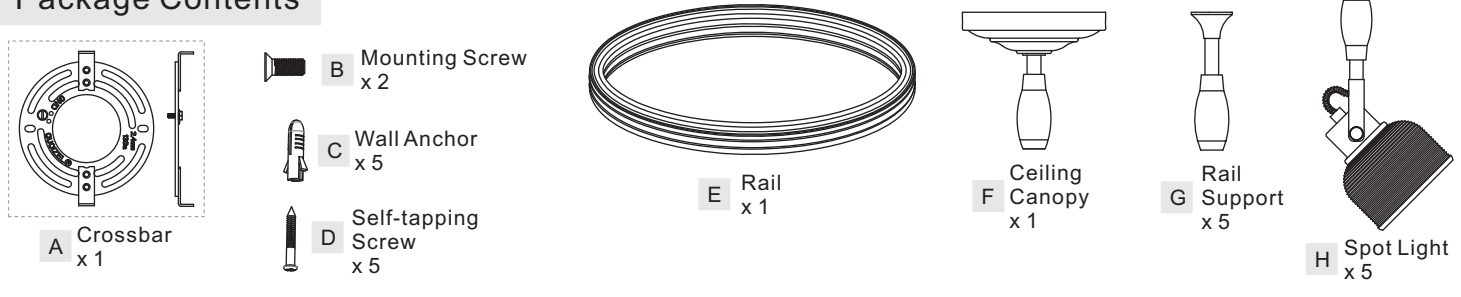
**⚠ Warnings and Cautions**

Turn off electricity at circuit breaker or main fuse box before installation. Consult a licensed electrician if in doubt.

These instructions are provided for your safety. It is very important you read them completely before installing the fixture. We strongly recommend that a licensed, professional electrician perform the installation.

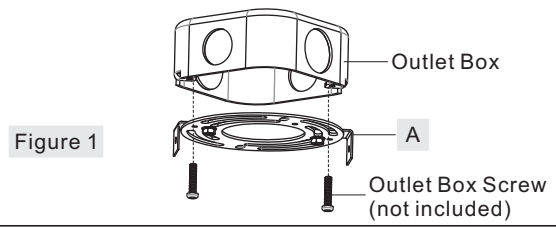
**CAUTION:** To reduce the risk of fire, electrical shock, or personal injury, do not touch or remove the spot light on the rail when the light is on. Instead, turn off the electrical power. Unscrew the caps and to remove the spot light from the rail. Then reinstall them back onto the desired positions of the rail.

**Package Contents**



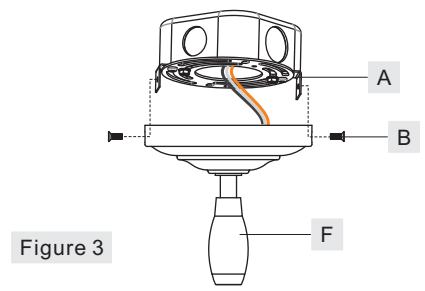
**STEP 1 – Attach Crossbar to Outlet Box**

A. Attach the Crossbar (A) to Outlet Box and secure by threading Outlet Box Screws (not supplied) into the Mounting Holes on the Outlet Box. Tighten until snug.



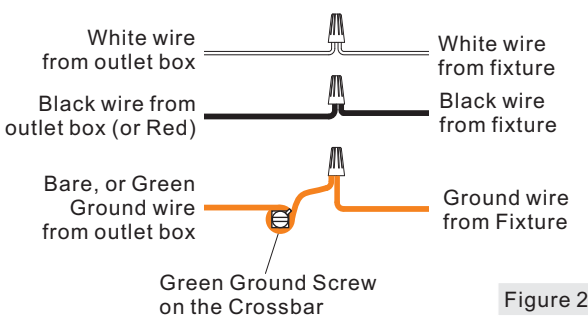
**STEP 3 – Attach Ceiling Canopy to Crossbar**

A. Line up the holes on the side of the Ceiling Canopy (F) to the mounting holes on the Crossbar (A). Secure them with Mounting Screws (B). Tighten until snug.



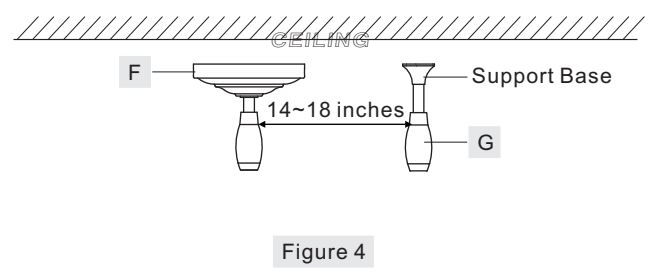
**STEP 2 - Wire Connections**

A. Wrap bare or green ground wire around green ground screw on the crossbar, no less than 2 inches from the end of the wire. Tighten the green ground screw.  
B. Use standard wire connectors (not included) to make all wire connections. Twist connectors until wires are tightly joined together. Wrap each connection with approved electrical tape and carefully stuff all the connected wires into the Outlet Box.



**STEP 4 – Determine Support Position**

A. Identify the first Rail Supports (G) position approximately 14-18" from the Ceiling Canopy (F) and mark the position. The rail may be bent in gentle curves or straight line as desired.  
B. By using the drill with 7/32-inch drill bit, drill holes on marks.



### STEP 5 - Install Rail support

A. Disassemble support base from Rail Supports (G) as shown.

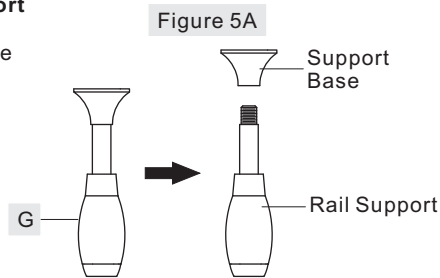


Figure 5A



Support Base



D



G

Figure 5B

B. Insert the Wall Anchor (C) into the drilled hole on the ceiling. Pass the Support Base over the Wall Anchor (C) and then screw the self-tapping screw (D) through the Support Base into the wall anchor until tight.

C. Thread the Rail Support (G) into the Support Base and hand tighten until snug.

### (Step 7 Continued)

Supports (G). Then Follow the Step 6 of Rail Installation to install the Rail (E) onto the other Rail Supports (G).

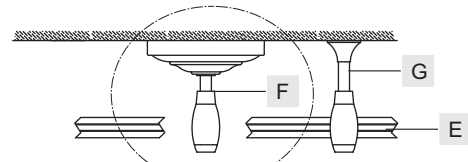
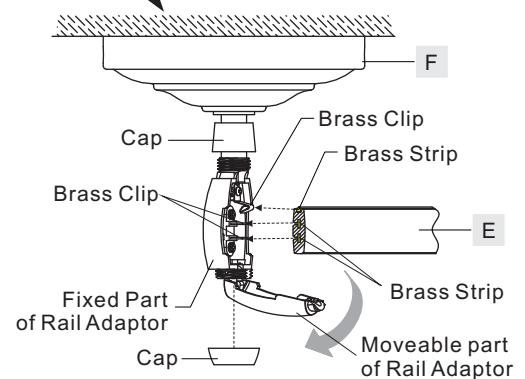


Figure 7



### STEP 6 - Instal Rail to Rail Support

A. Carefully take out the Rail (E) from the package and unfold it. There is an Brass Strip in the top and (2) Brass Strips in one side of the Rail (E).

B. Unscrew (2) caps on the Rail Support (G). Open the Moveable Part of the Rail Support (G). Attach the Rail (E) with (2) Brass Strips side facing towards the fixed part of Rail Support (G). Close the moveable part of Rail Support (G) over the Rail (E), then reinstall the caps to the Rail Support (G).

**NOTE: The Brass Strip in the top of the Rail is always facing towards the ceiling.**

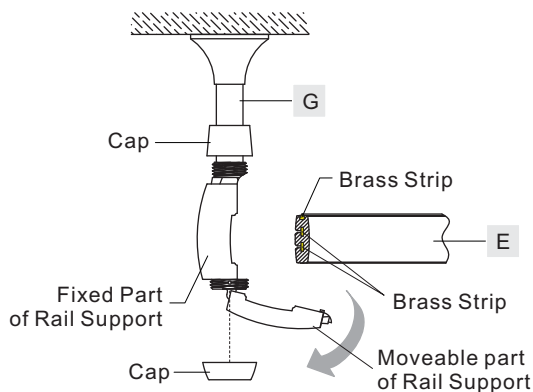


Figure 6

### STEP 7 - Install Rail to Ceiling Canopy

A. Unscrew (2) caps on the rail adaptor. Open the Moveable Part of the rail adaptor. Attach the Rail (E) with (2) Brass Strips side facing towards the fixed part of rail adaptor. Close the moveable part of rail adaptor over the Rail (E), then reinstall the caps to the rail adaptor. Make certain that the brass clips on the fixed part of rail adaptor are connected properly with the brass strips of the Rail (E).

**NOTE: The Brass Strip in the top of the Rail is always facing towards the ceiling.**

B. Shape the Rail (E) as desired. Then mark and drill the desired positions on the ceiling for the rest of the Rail Supports (G). Repeat the Step 5 of Rail Supports Installations to locate the rest Rail

### STEP 8 - Spot Light Installation

A. Choose one spot light, unscrew (2) caps from the rail adaptor of the Spot Light (H), then open the moveable part of rail adaptor body.

B. Attach the Rail (E) with (2) Brass Strips side facing towards the fixed part of rail adaptor. Close the moveable part of rail adaptor over the Rail (E), then reinstall the caps to the rail adaptor. Make certain that the brass clips on the fixed part of rail adaptor are connected properly with the brass strips of the Rail (E).

**NOTE: To ensure the fixture works correctly, make sure the connection between the adaptor and the rail is correct. The Brass Strip in the top of the Rail is always facing towards the ceiling.**

C. Follow steps A~B in this step to install the other Spot Lights (H) onto the Rail (E).

**Note: Adjust the spotlight head to a desired position.**

Your fixture is now assembled and ready to use. Enjoy!

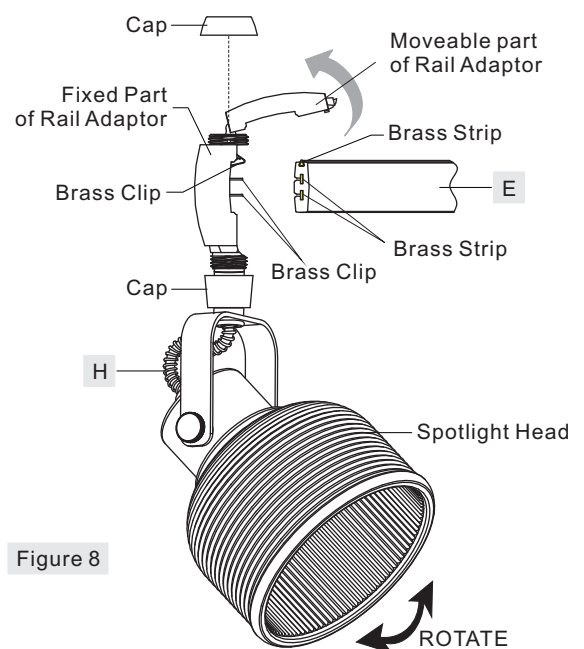
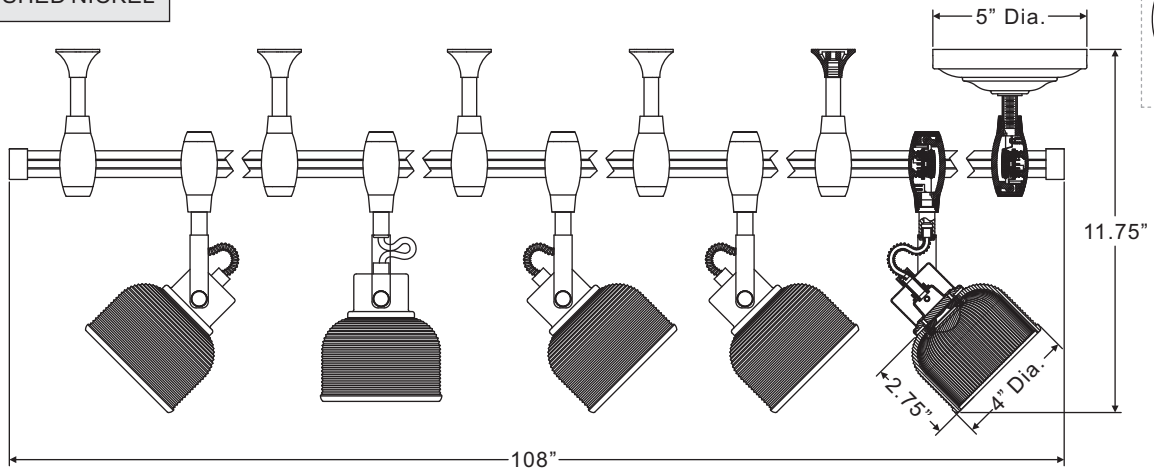


Figure 8

OVA1405BN

FINISH: BRUSHED NICKEL



NOTE: ALL DIMENSIONS ARE ROUNDED UP TO THE NEAREST 1/4"