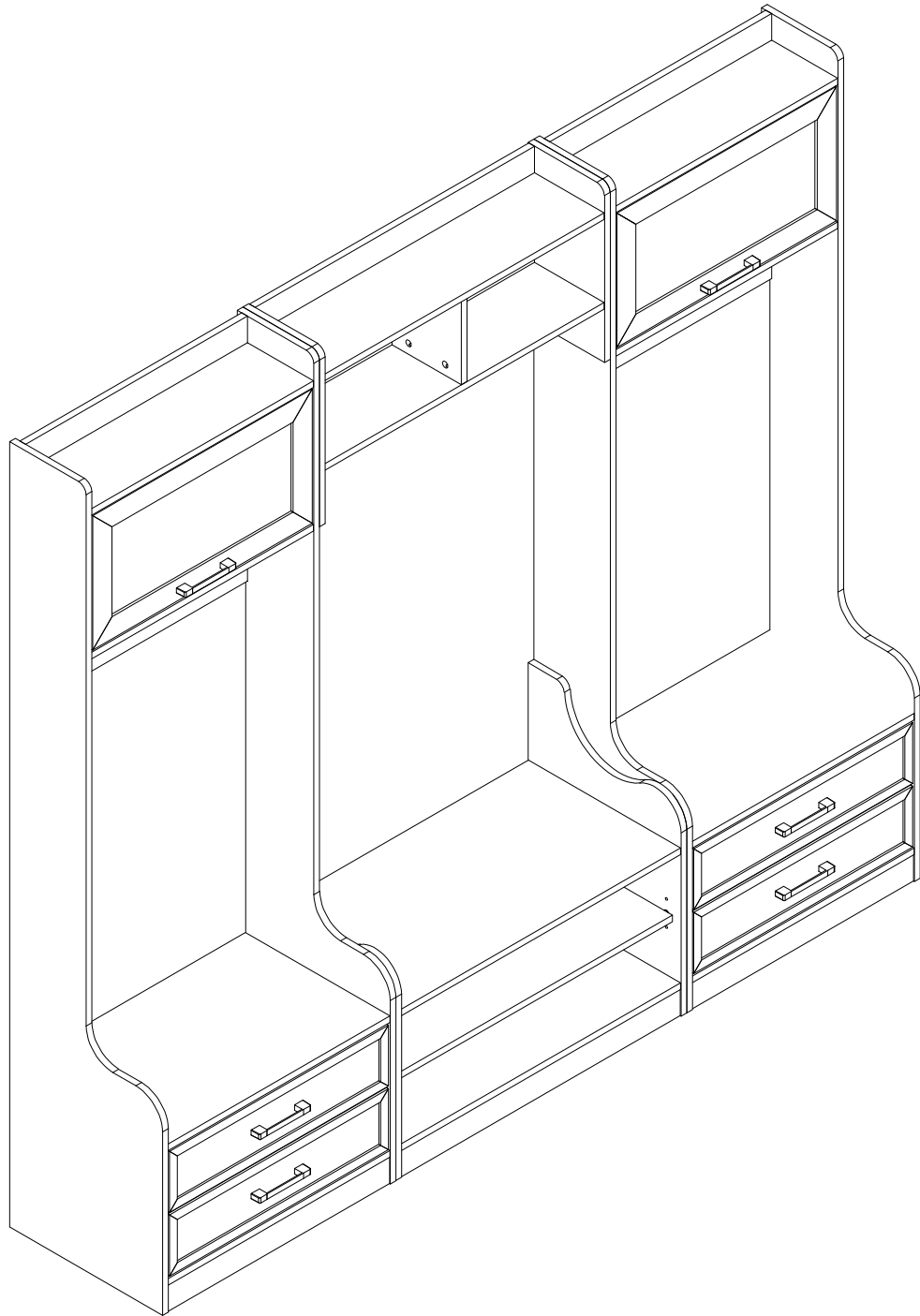
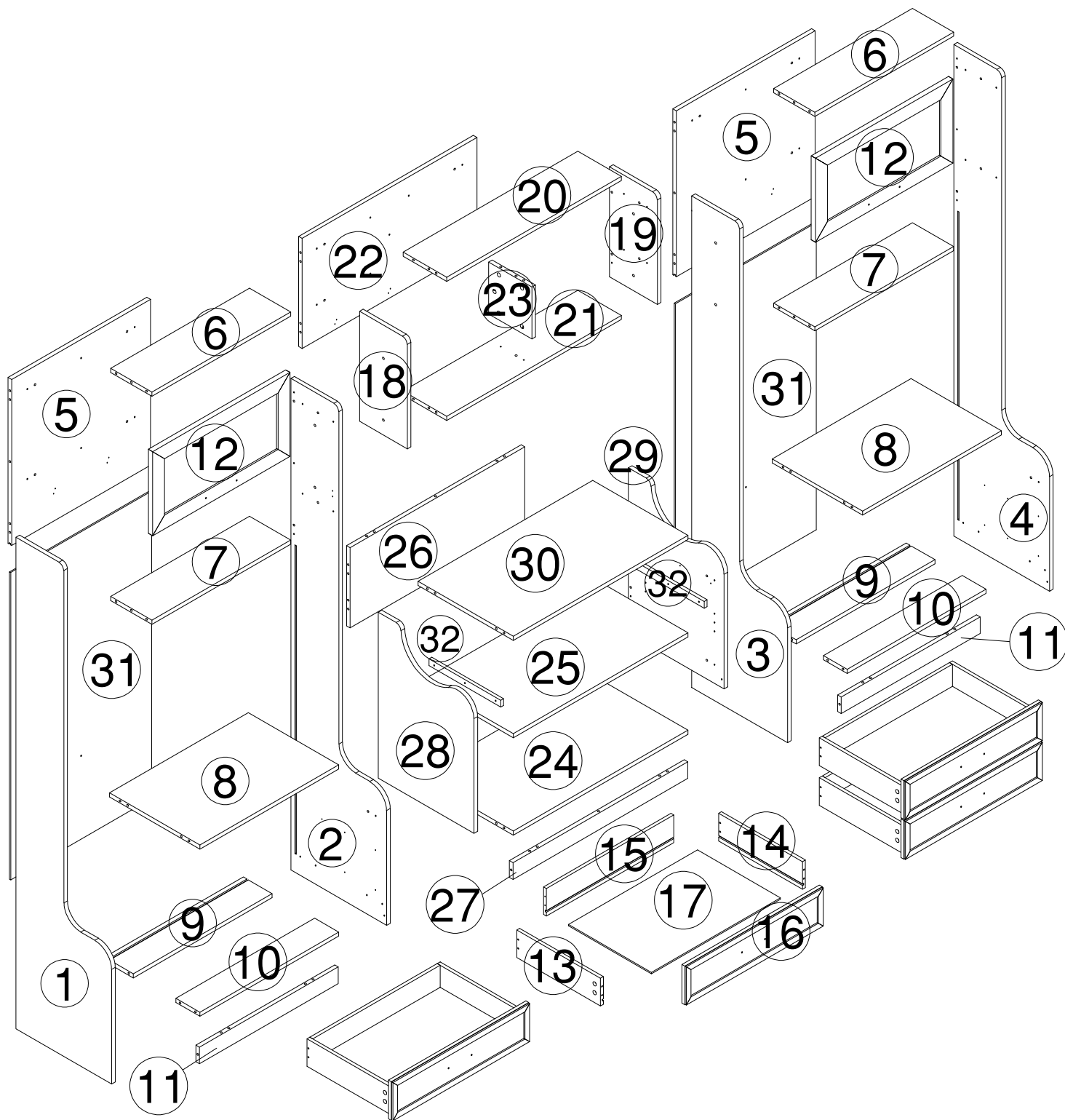


Assembly Instructions

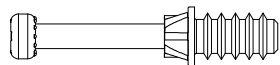


Product Diagram/ Produktdiagramm/ Diagramme duproduit/
Diagrama del producto/ Diagramma del prodotto/ 組み立て図



Hardware List/ Hardwareliste/ Liste du matériel/ Lista de hardware/ Elenco dell'hardware/ ハードウェア

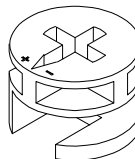
×132



(A)

34mm

×116



(B)

Ø15*12mm

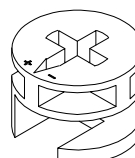
×70



(C)

Ø8*30mm

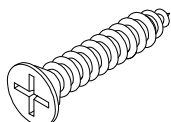
×16



(D)

Ø15*10mm

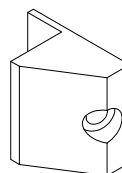
×8



(E)

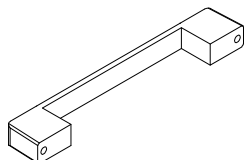
Ø3*18mm

×8



(F)

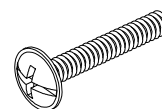
×6



(G)

孔距128mm

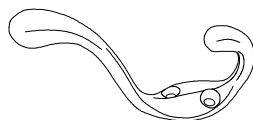
×4



(H)

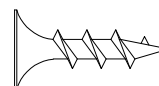
M4*22mm

×7



(J)

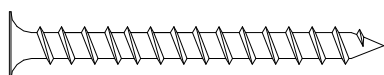
×14



(K)

Ø4*15mm

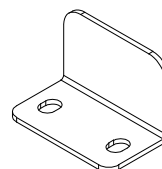
×16



(L)

Ø5*38mm

×2

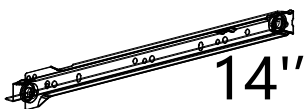


(M)

30*17*17mm

Hardware List/ Hardwareliste/ Liste du matériel/ Lista de hardware/ Elenco dell'hardware/ ハードウェア

x4

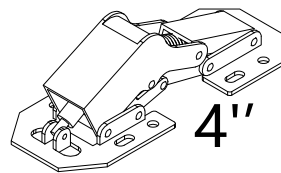


14"

(N)

350*27mm

x4

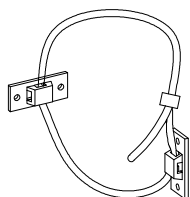


4"

(P)

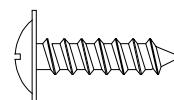
113*42mm

x2



(Q)

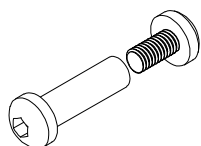
x42



(R)

Ø3.5*12mm

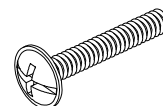
x4



(T)

13*Ø8*25mm

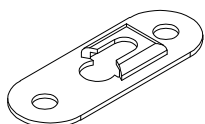
x8



(S)

M4*16mm

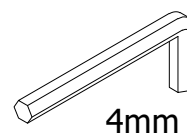
x2



(V)

L42*W16*1.5mm

x2

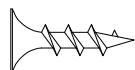


4mm

(W)

4mm*24*70

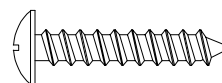
x48



(U)

Ø3.5*11mm

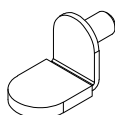
x6



(Y)

Ø4*25mm

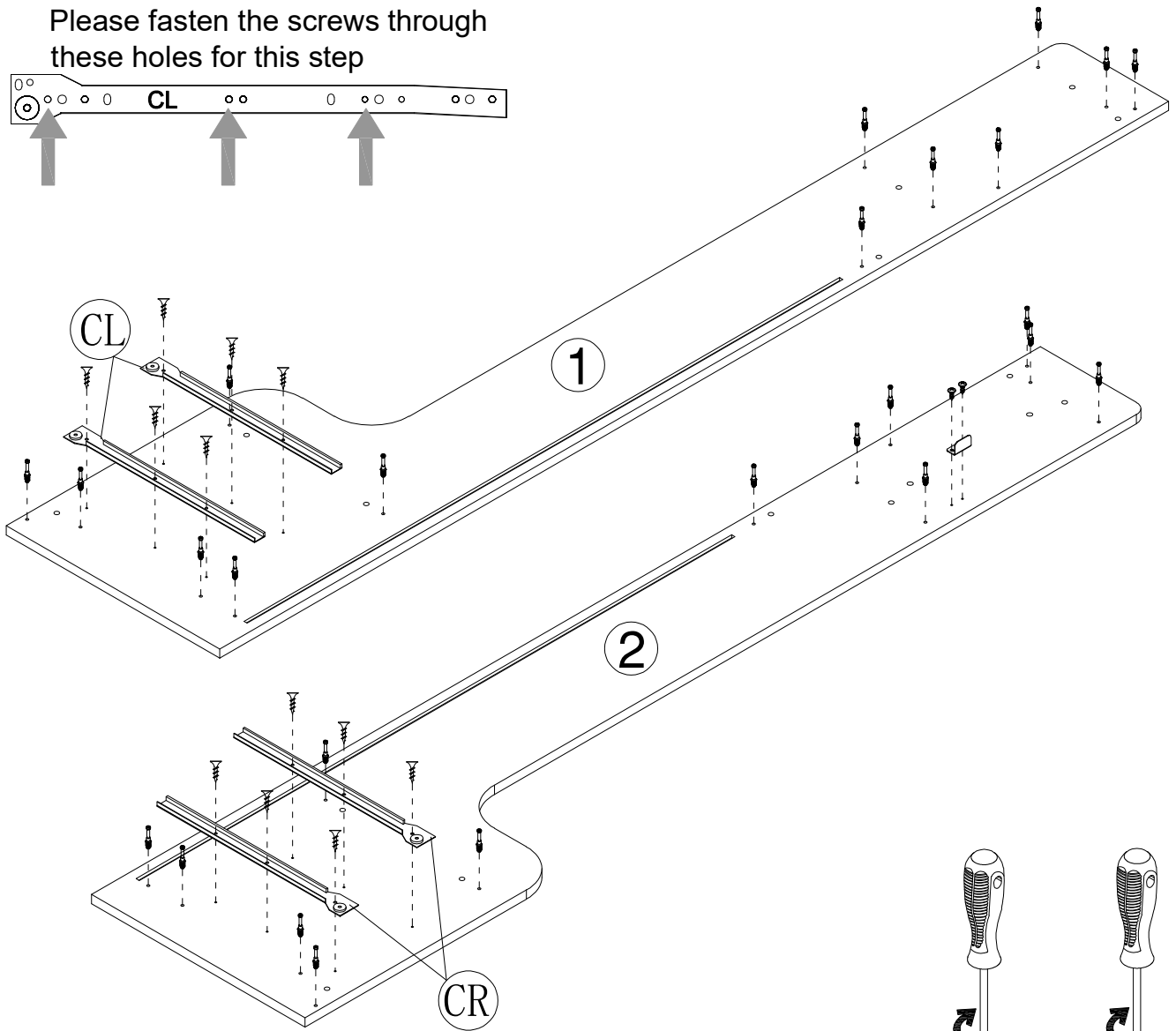
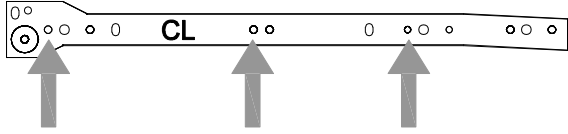
x4



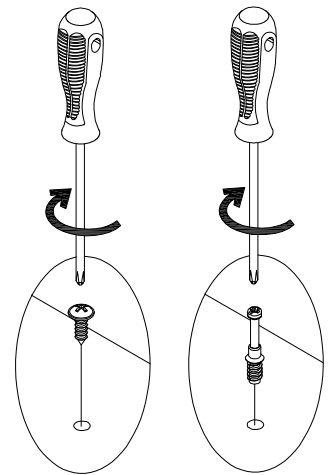
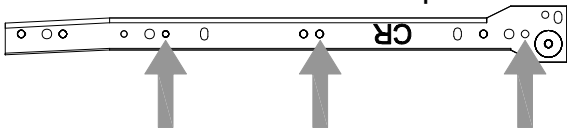
(O)

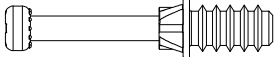
1

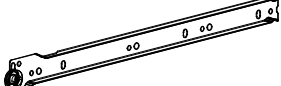
Please fasten the screws through these holes for this step

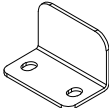


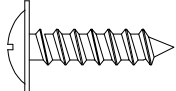
Please fasten the screws through these holes for this step

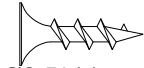


A  [×26]

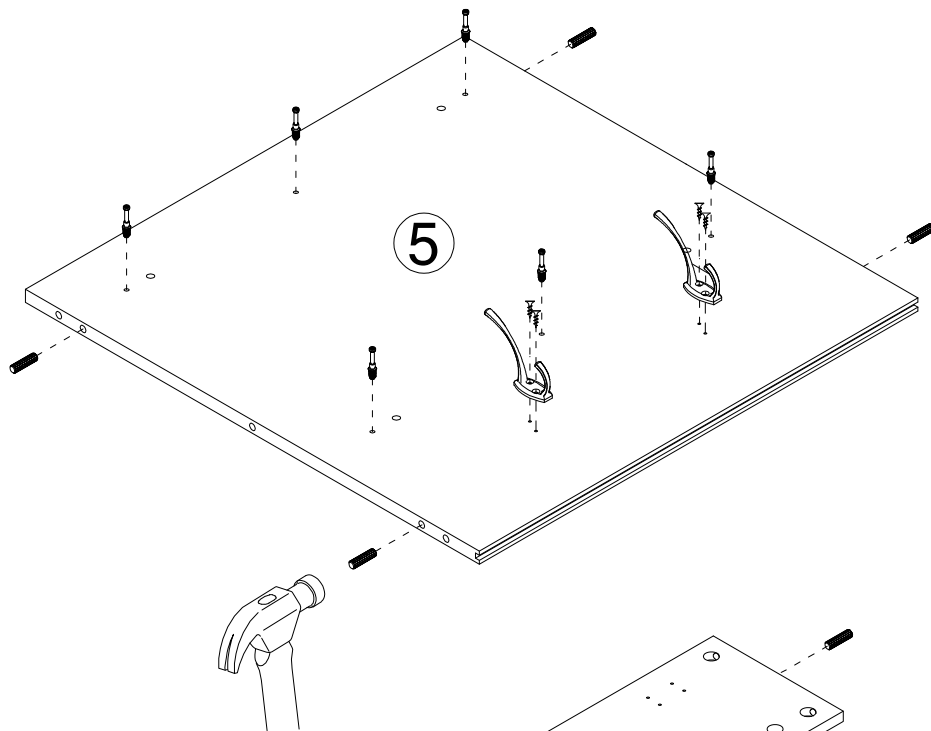
N  [×4]

M  [×1]

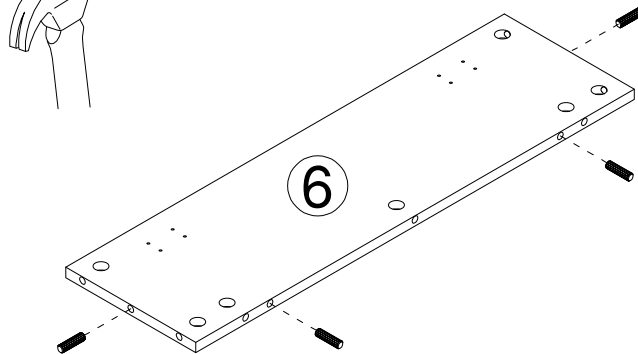
R  [×2]

U  Ø3.5*11mm [×12]

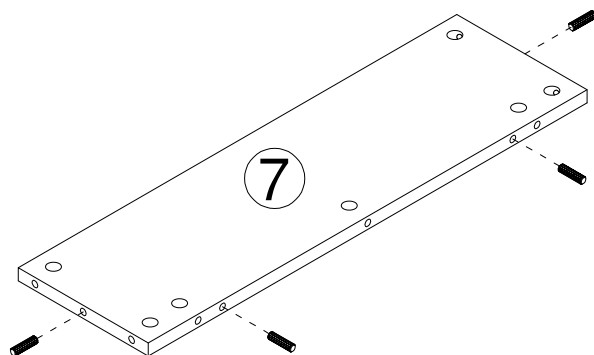
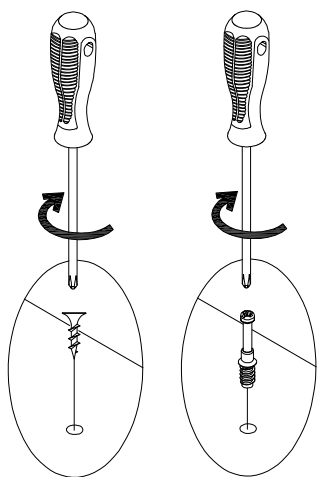
2



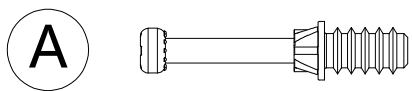
× 2



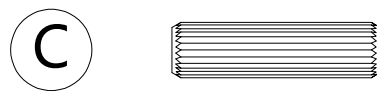
× 2



× 2



[×12]



[×24]

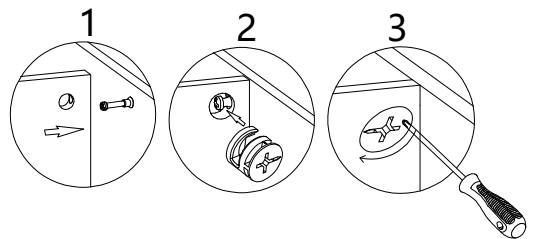
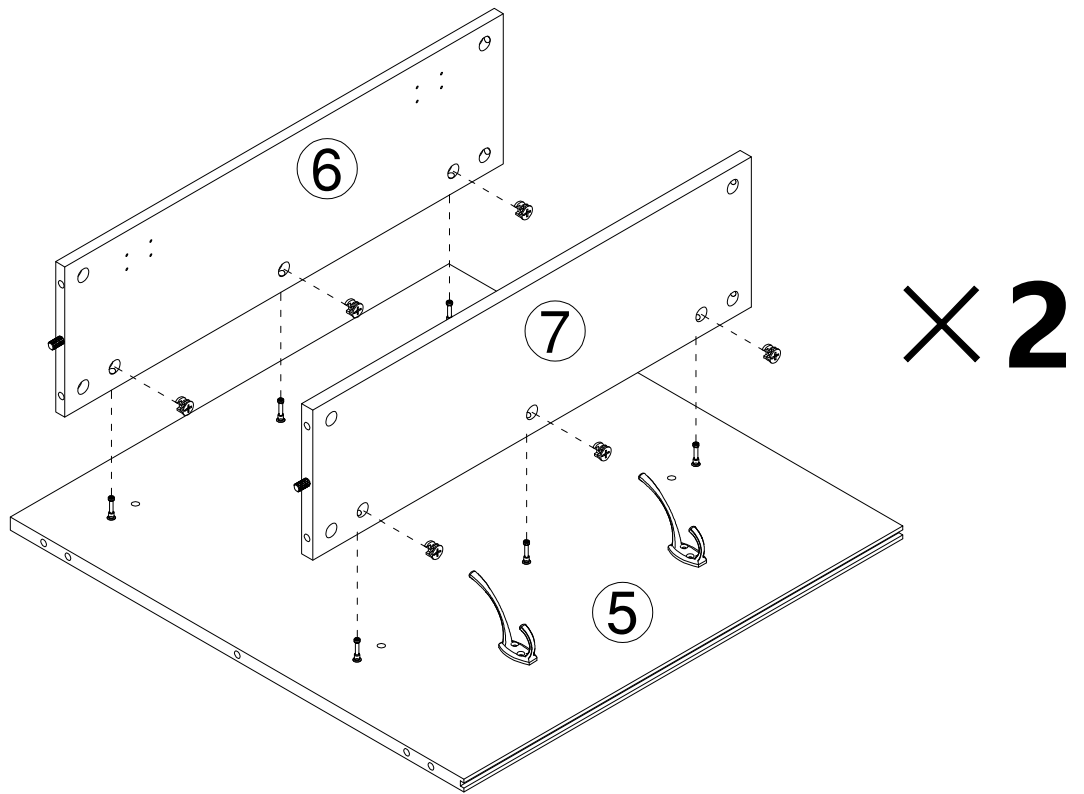


[×4]

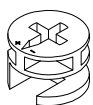


[×8]

3

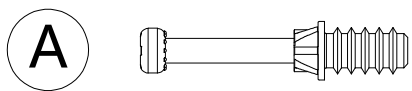
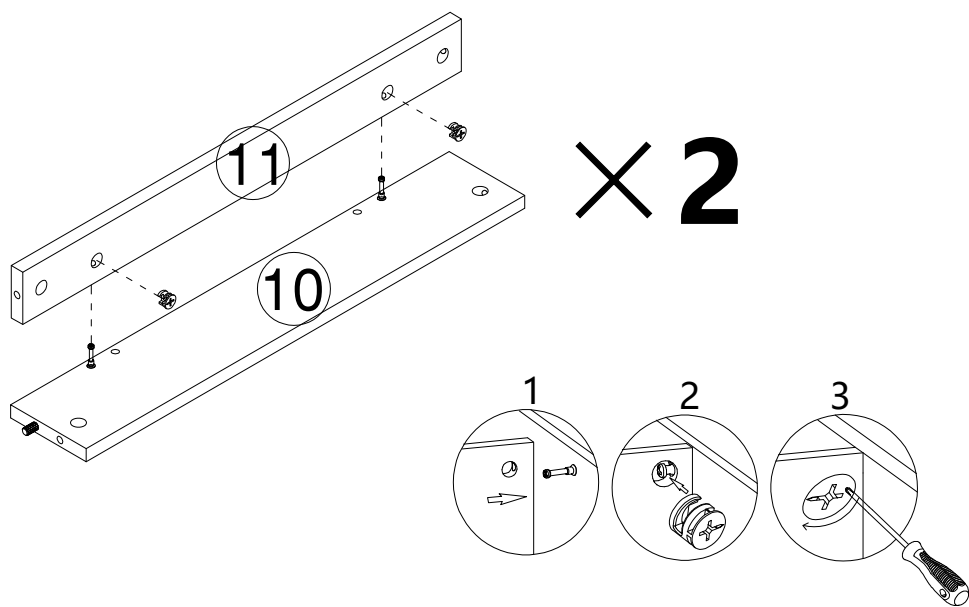
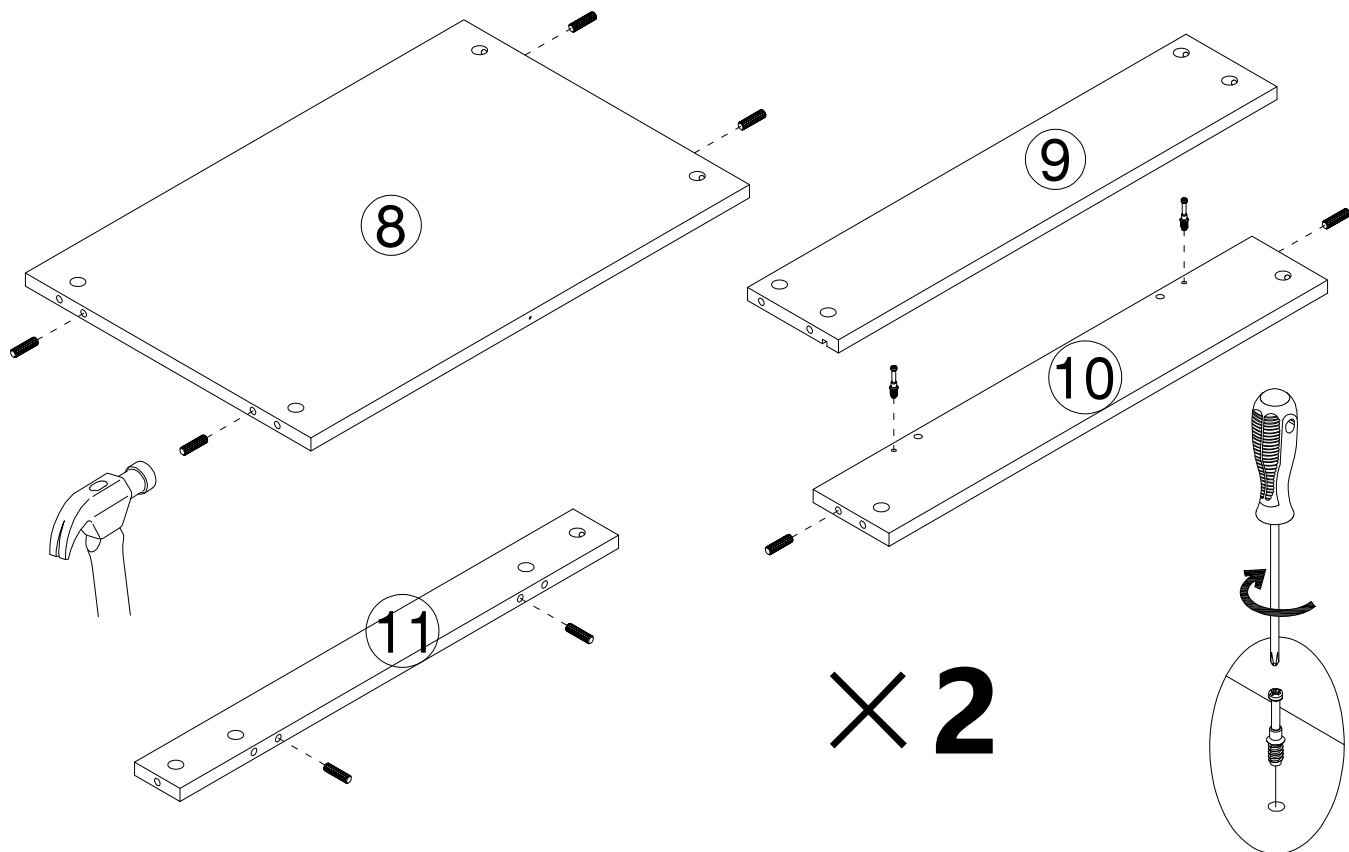


B



[x12]

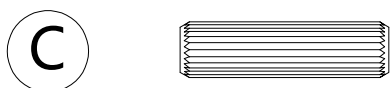
4



[x4]

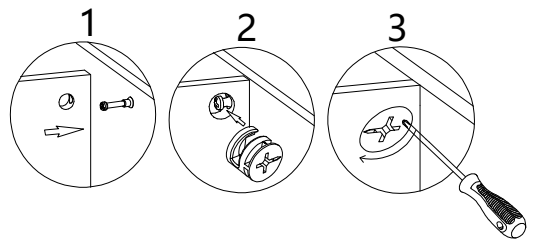
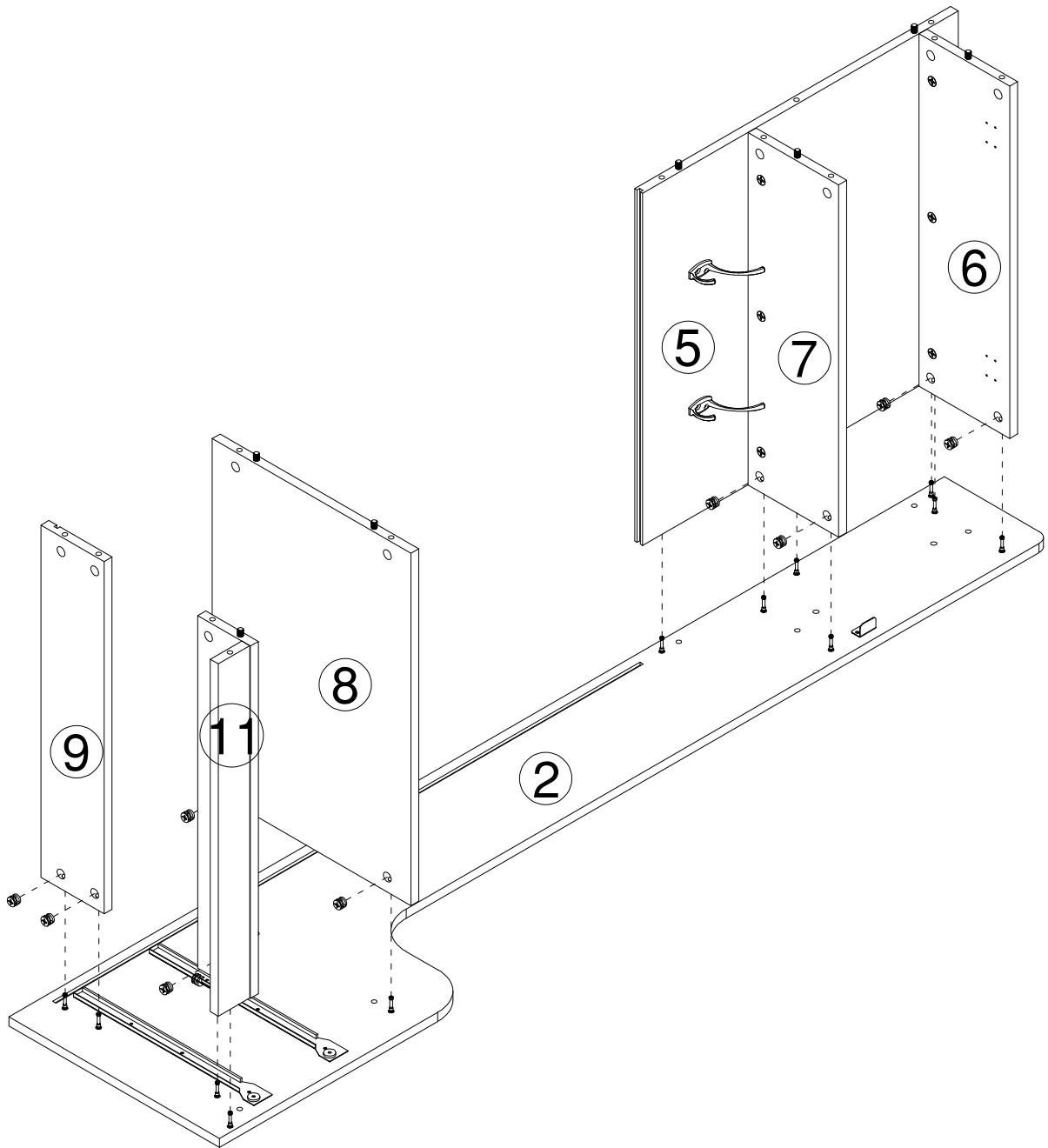


[x4]

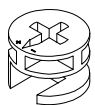


[x16]

5

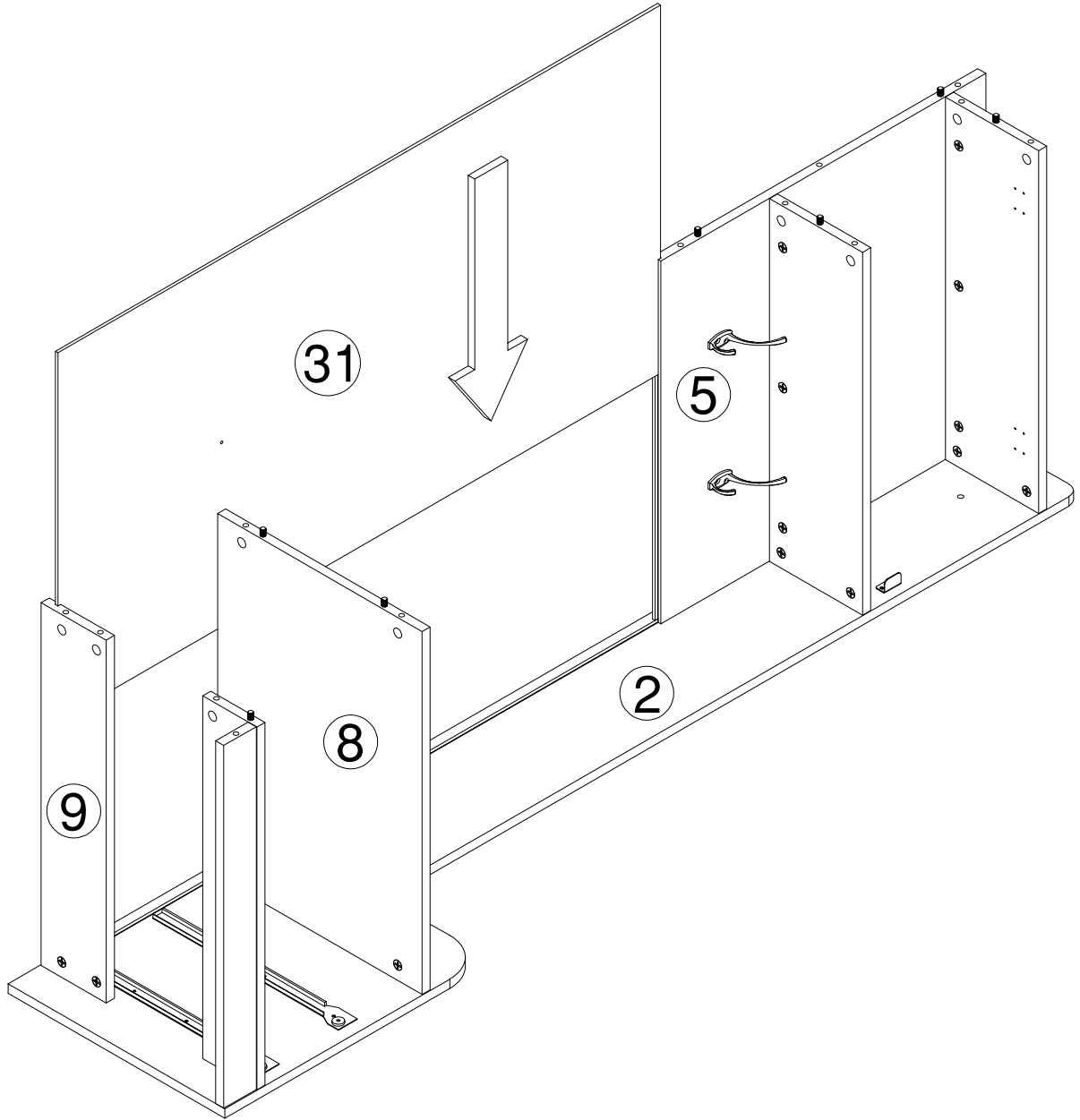


B

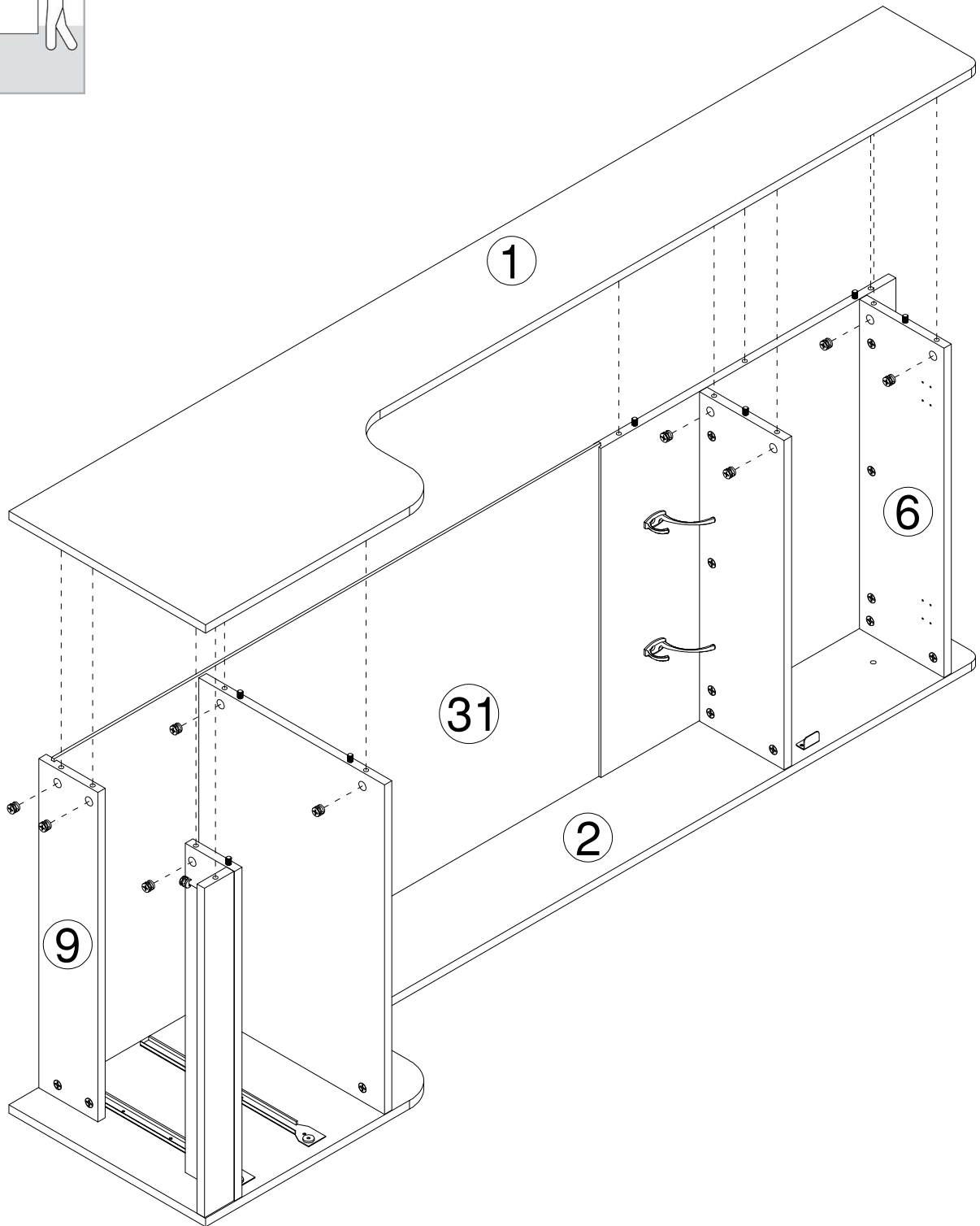


[×10]

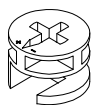
6



7

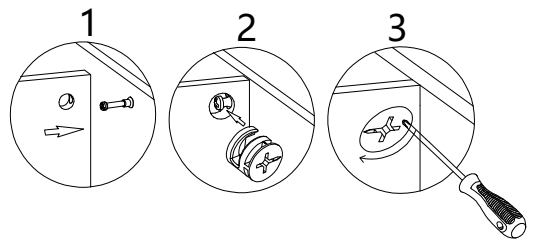
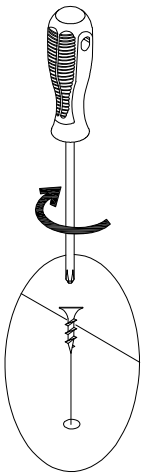
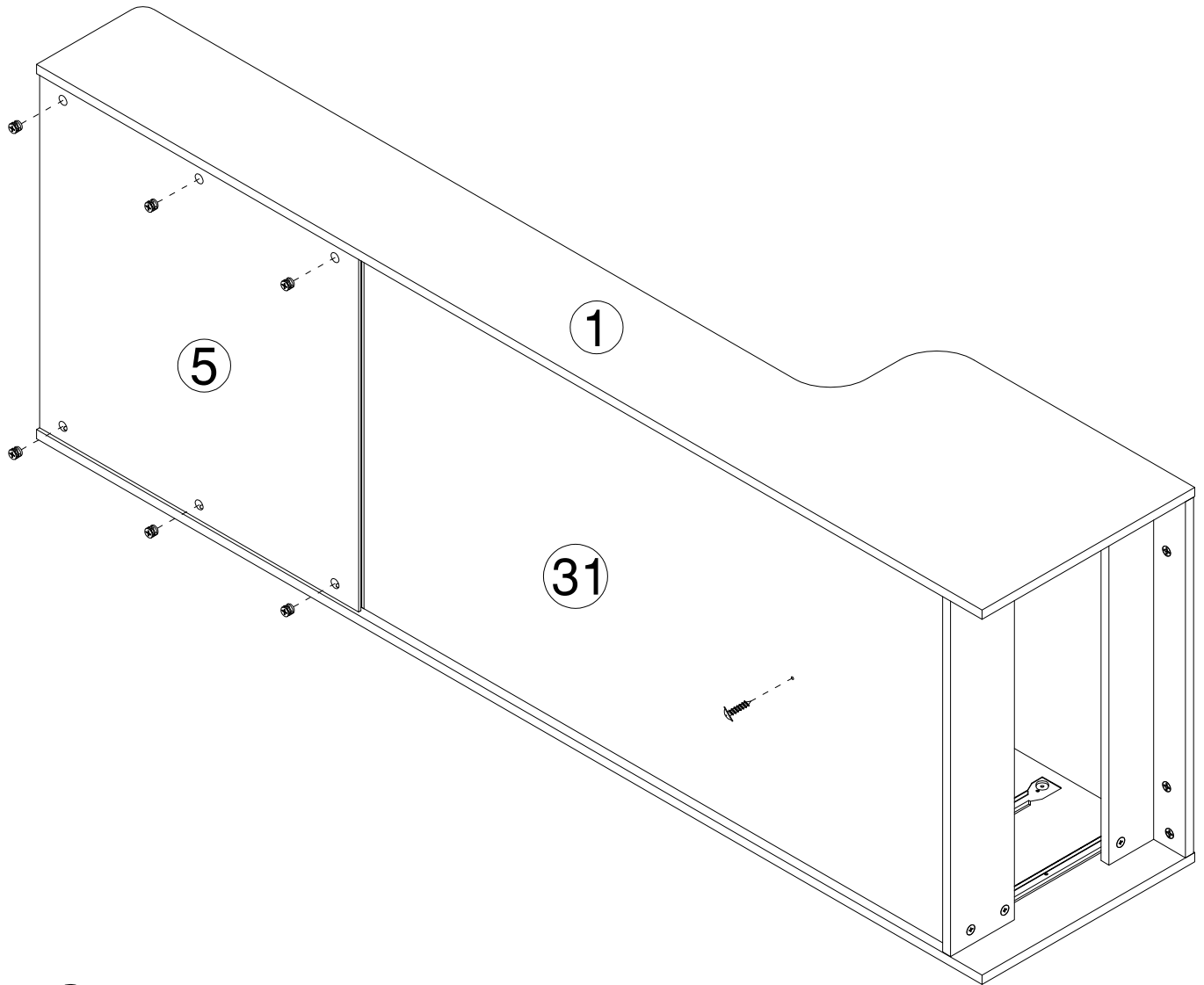


B

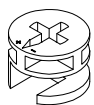


[×10]

8

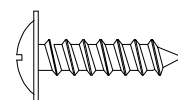


B



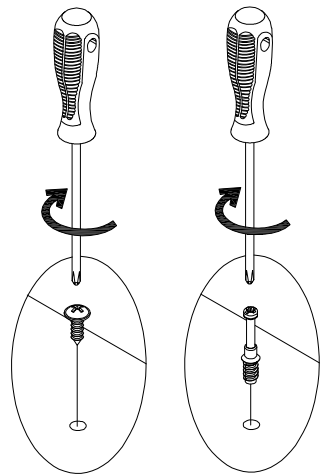
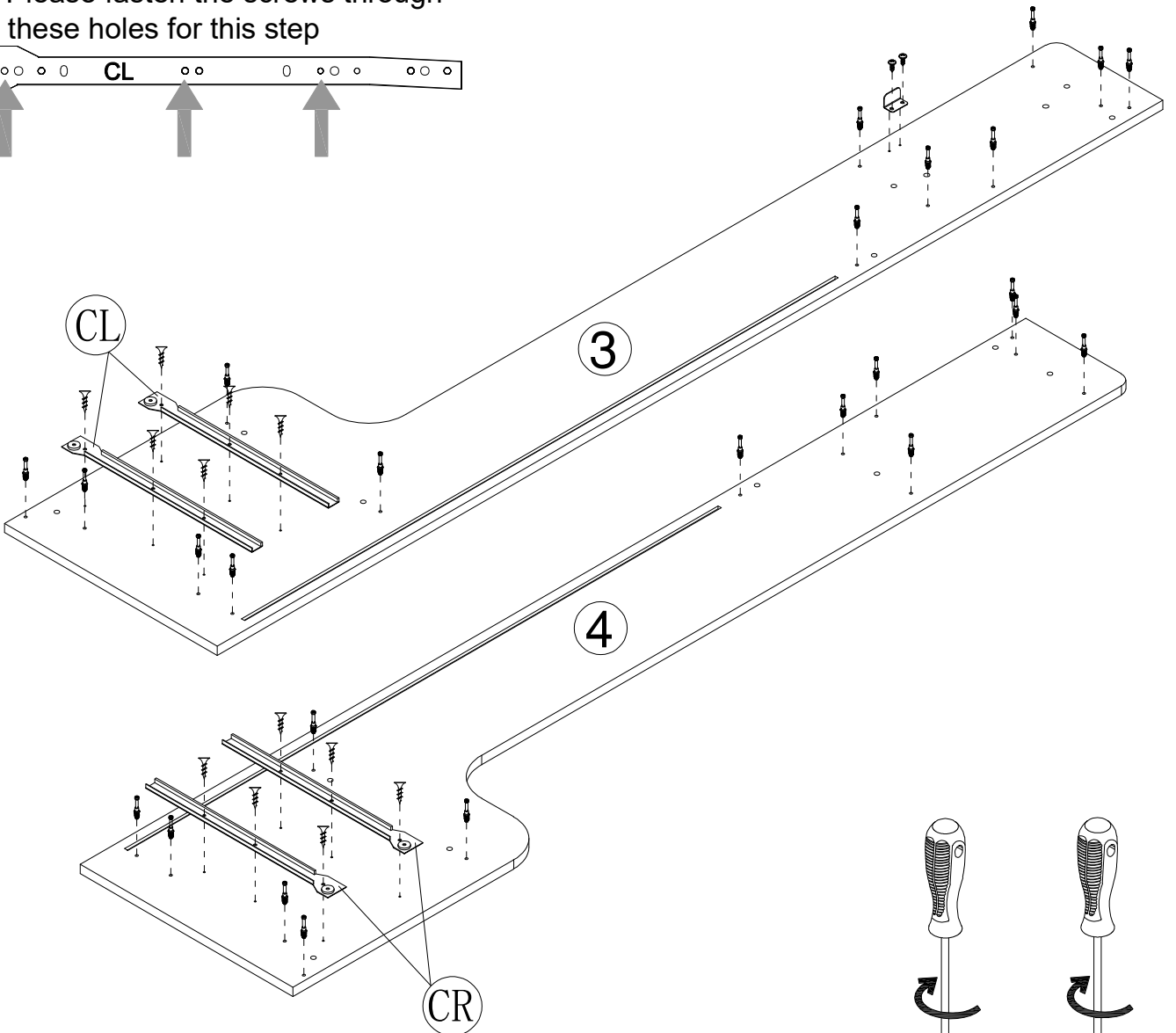
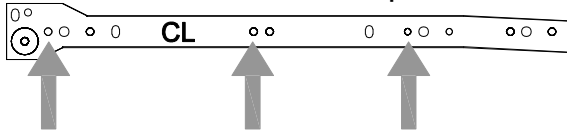
[×6]

R

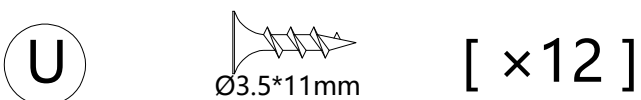
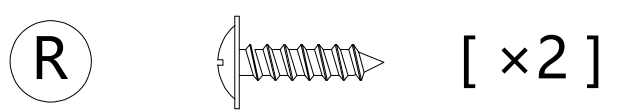
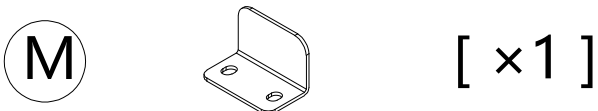
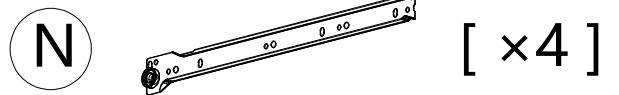
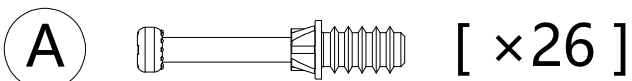
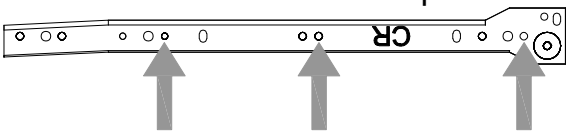


[×1]

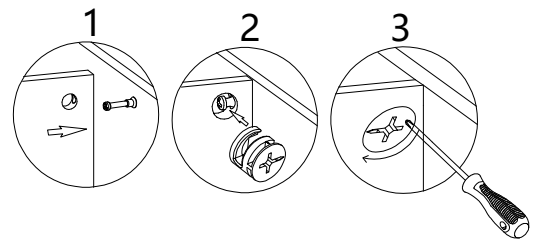
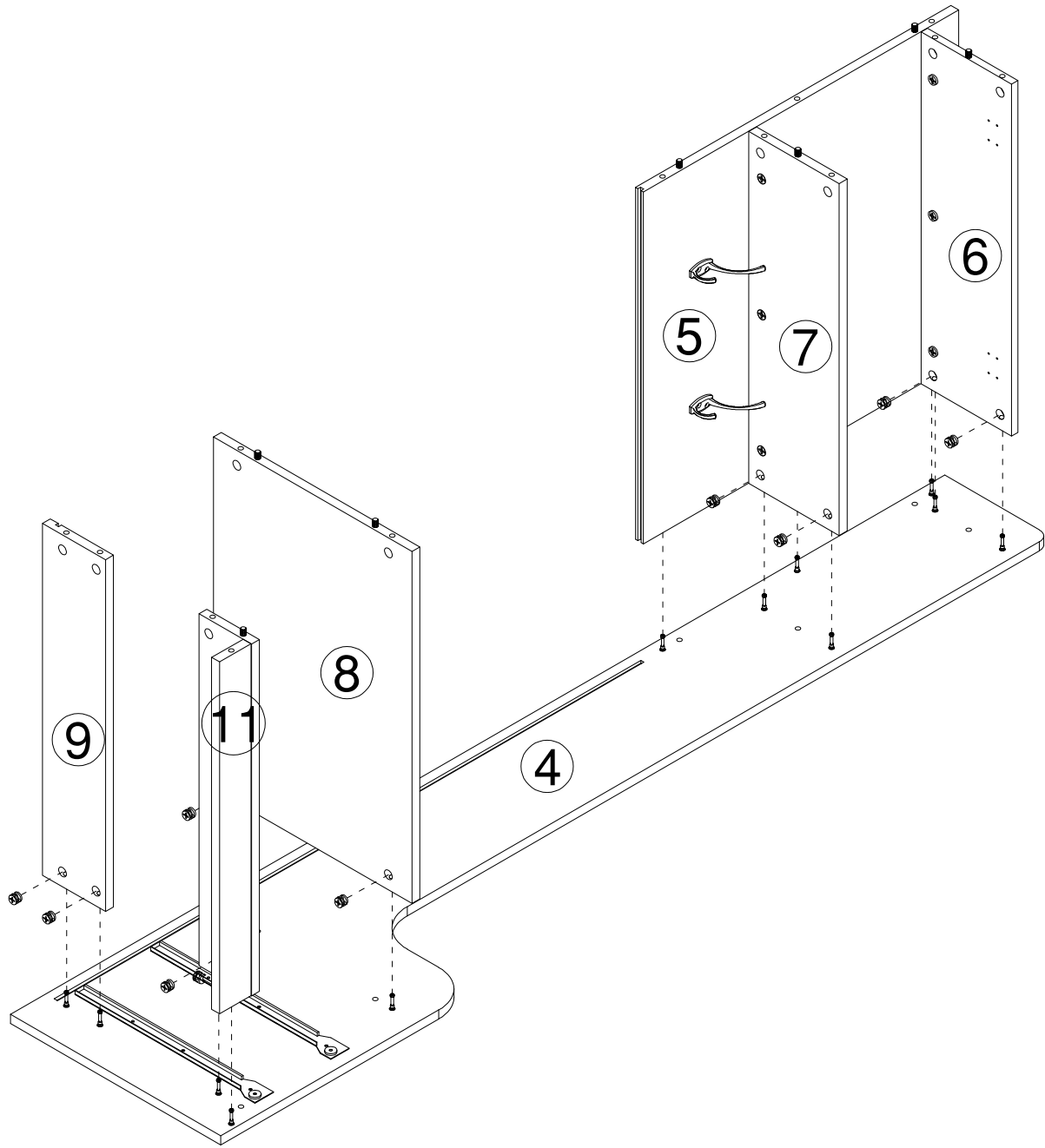
Please fasten the screws through these holes for this step



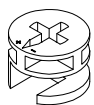
Please fasten the screws through these holes for this step



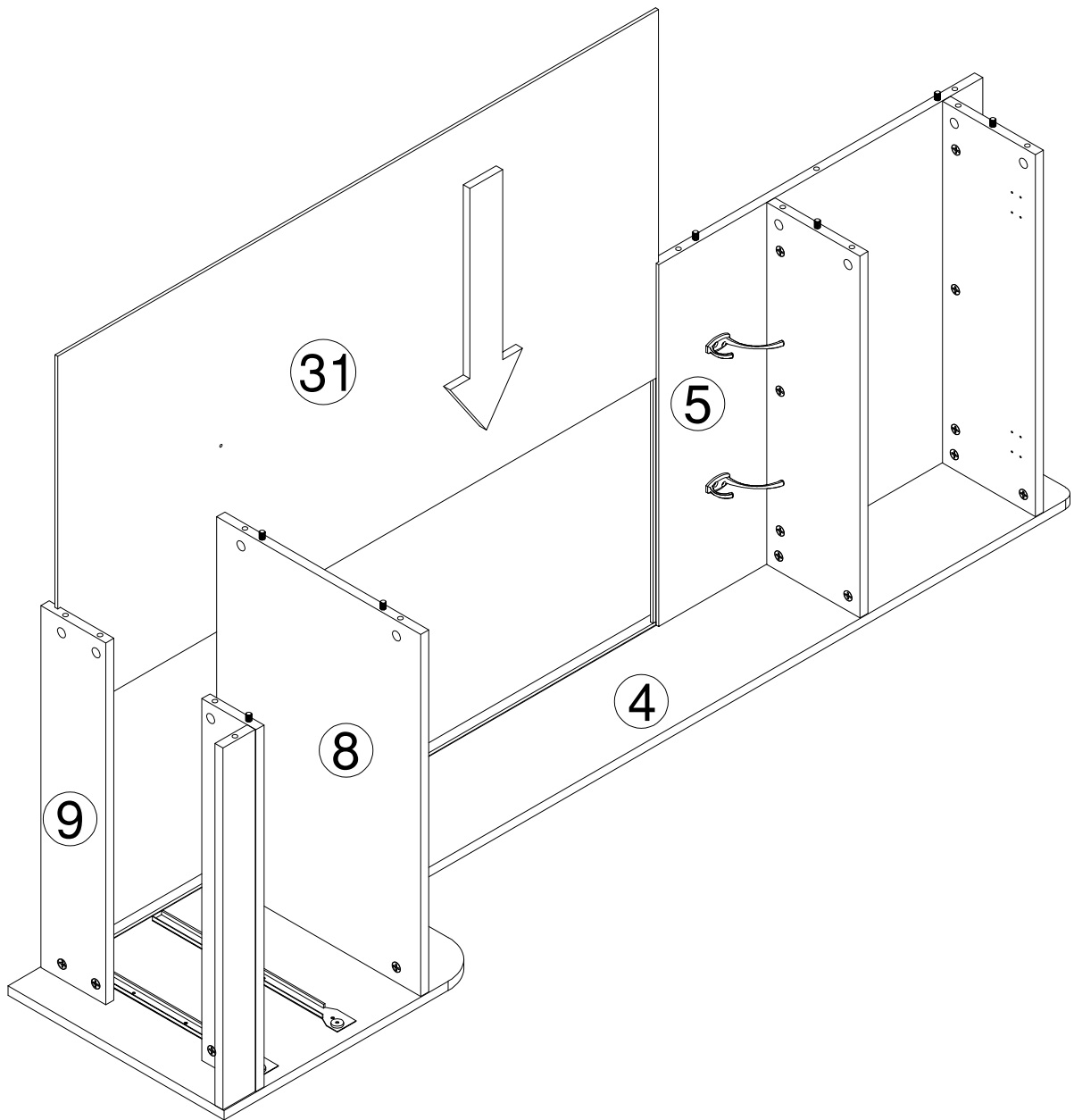
10

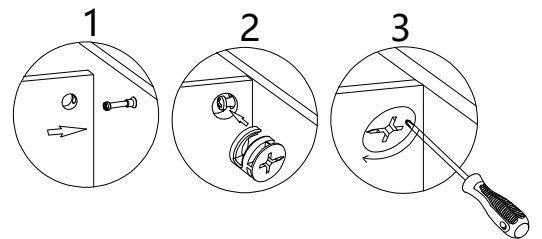
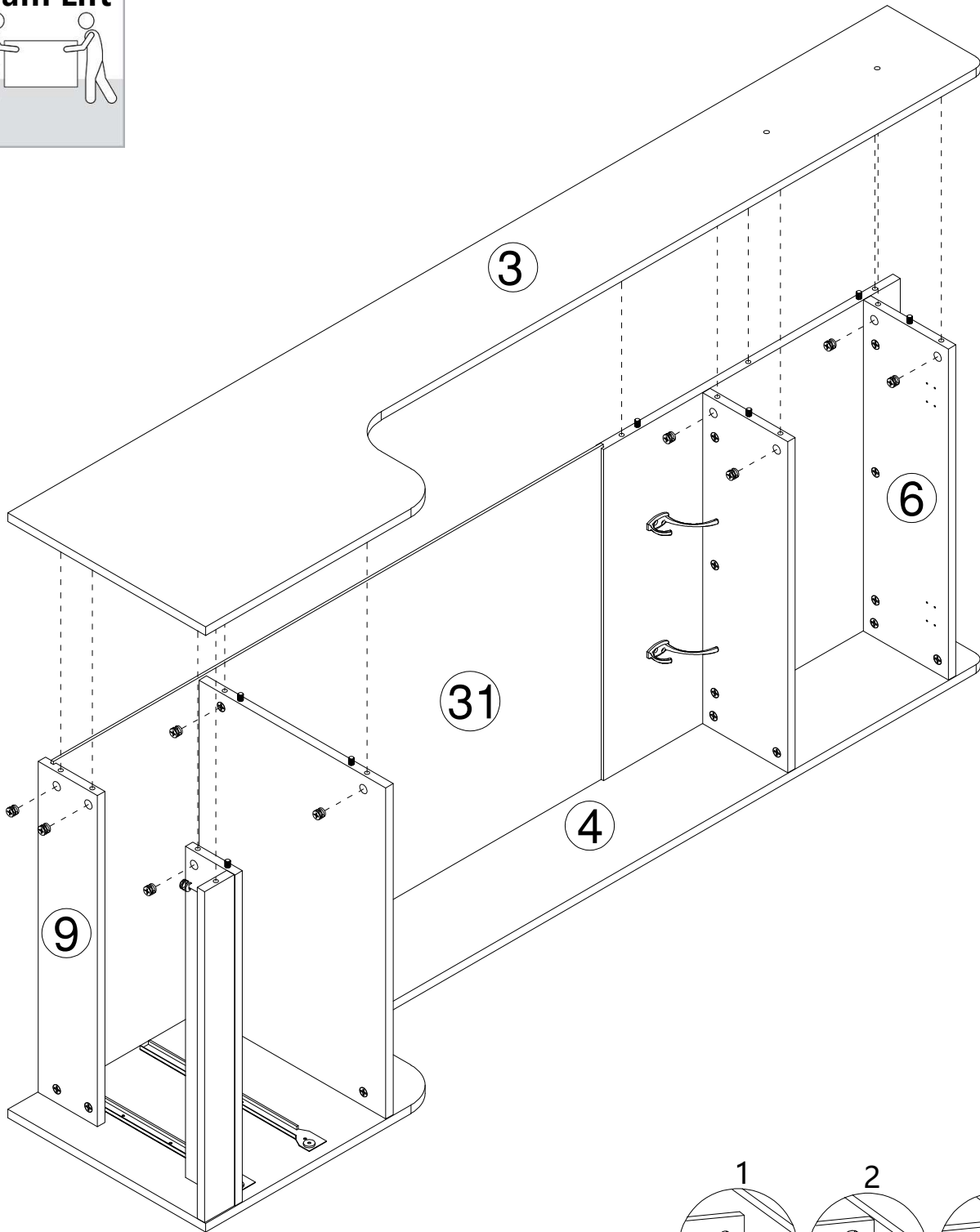


B

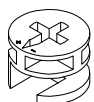


[×10]



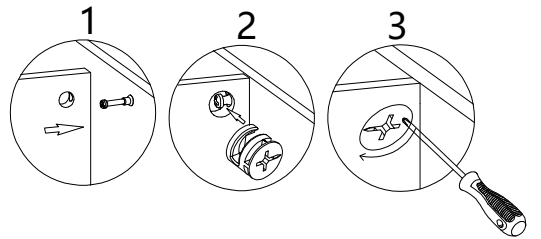
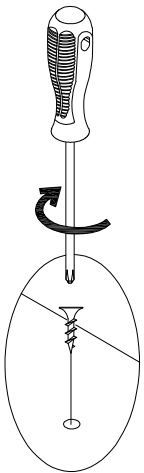
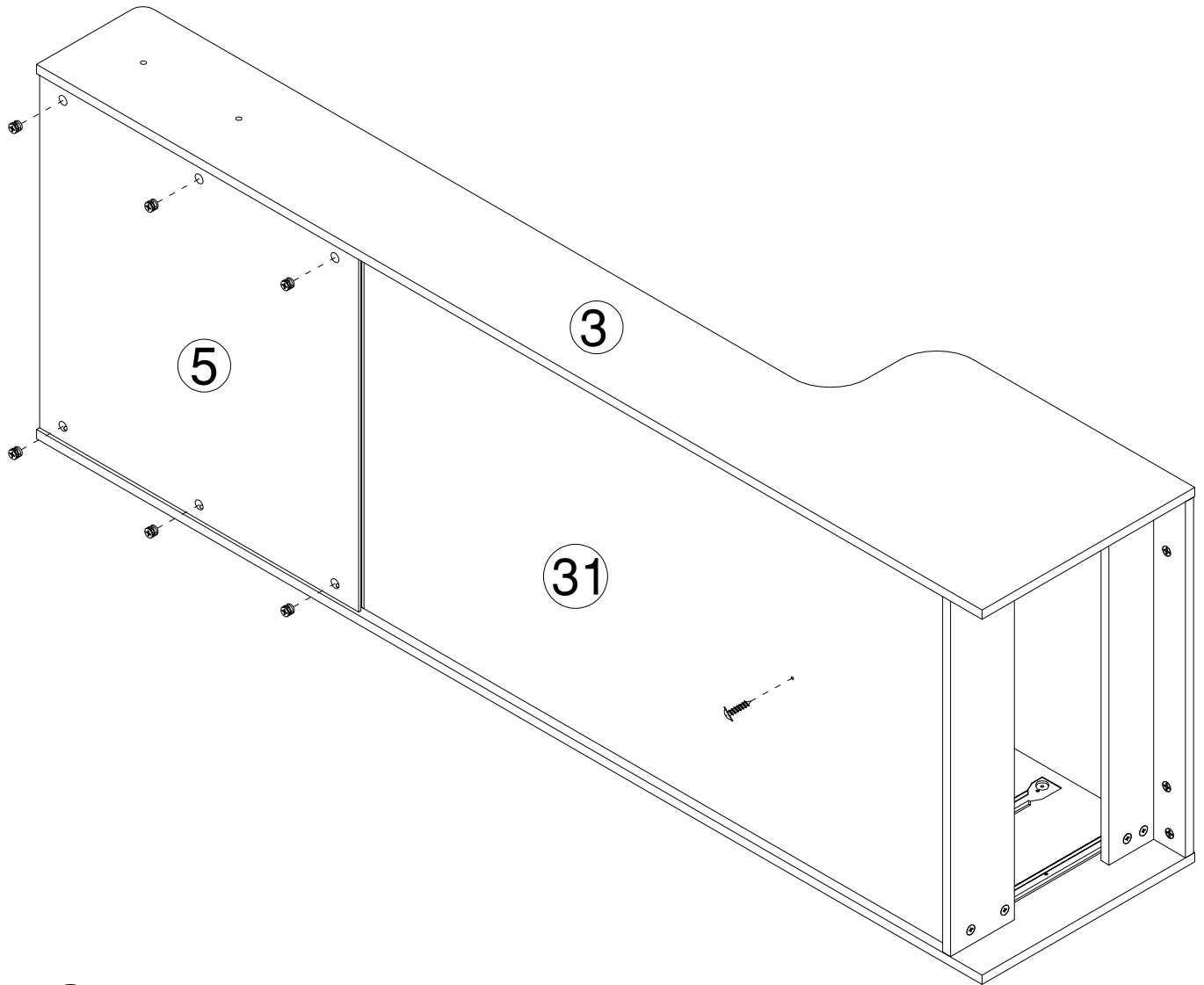


B

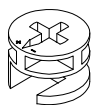


[×10]

13

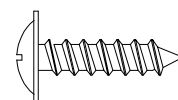


B



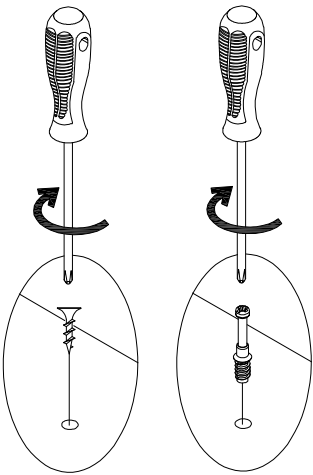
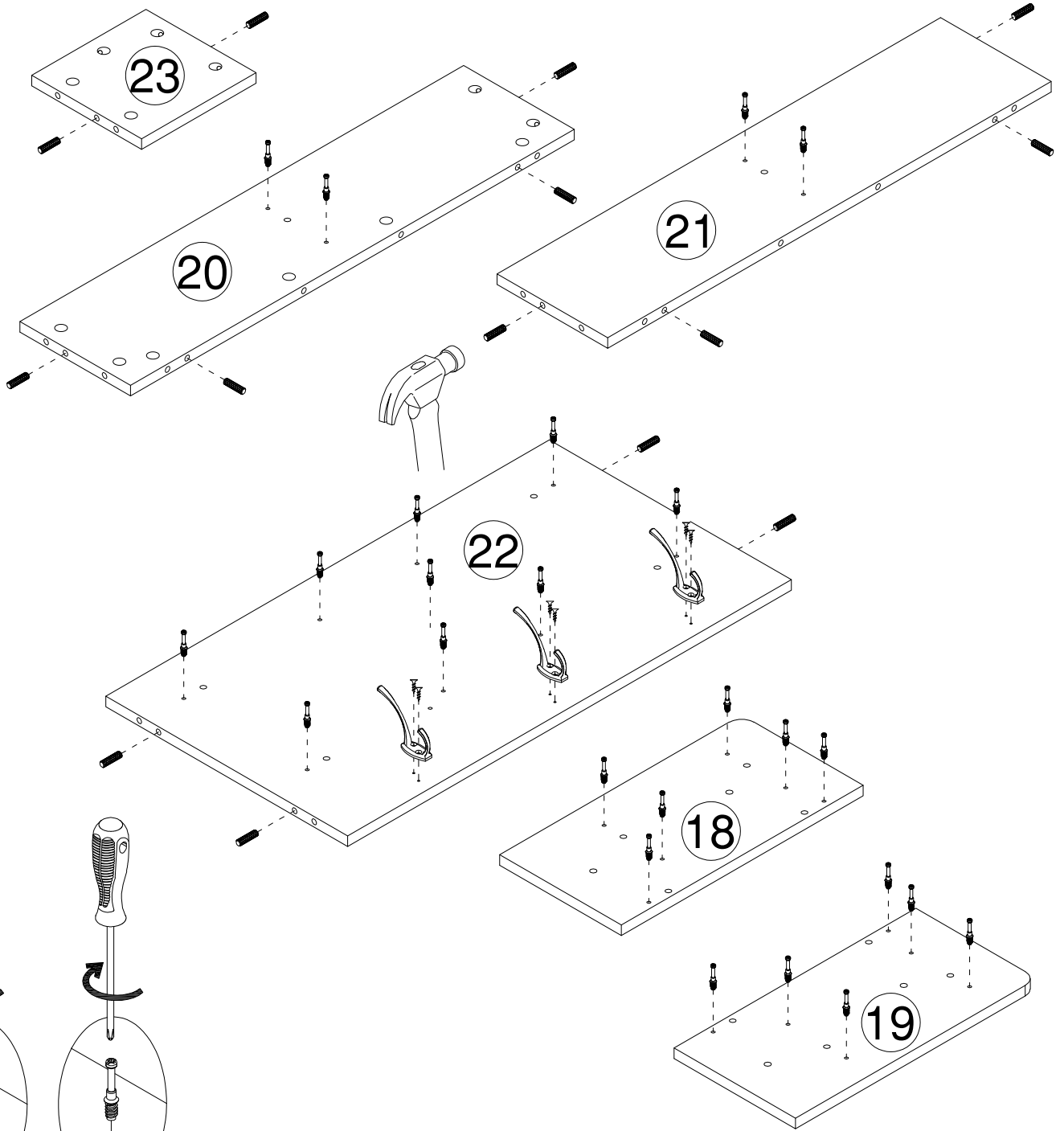
[×6]

R

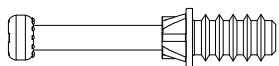


[×1]

14



A



[×25]

C



[×14]

J



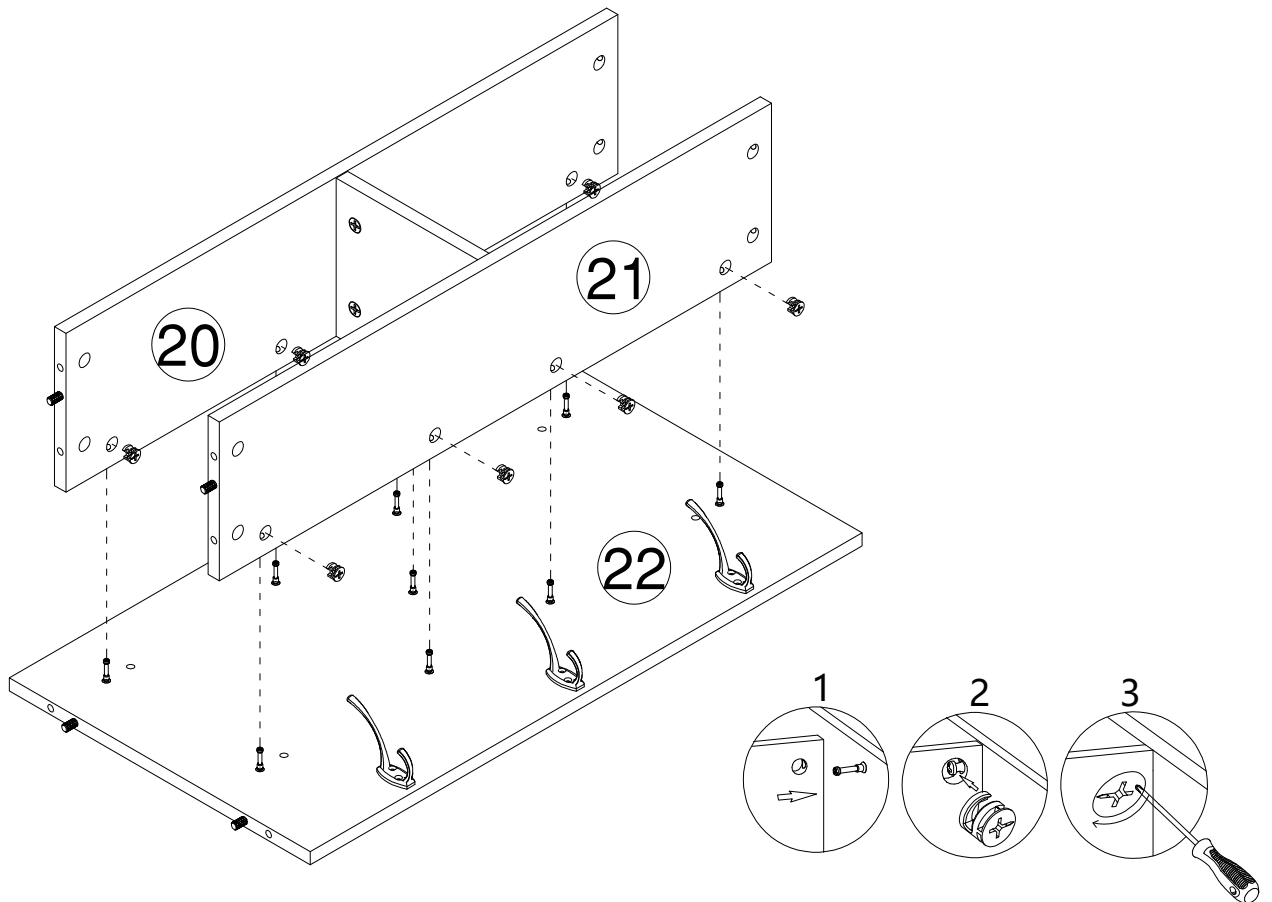
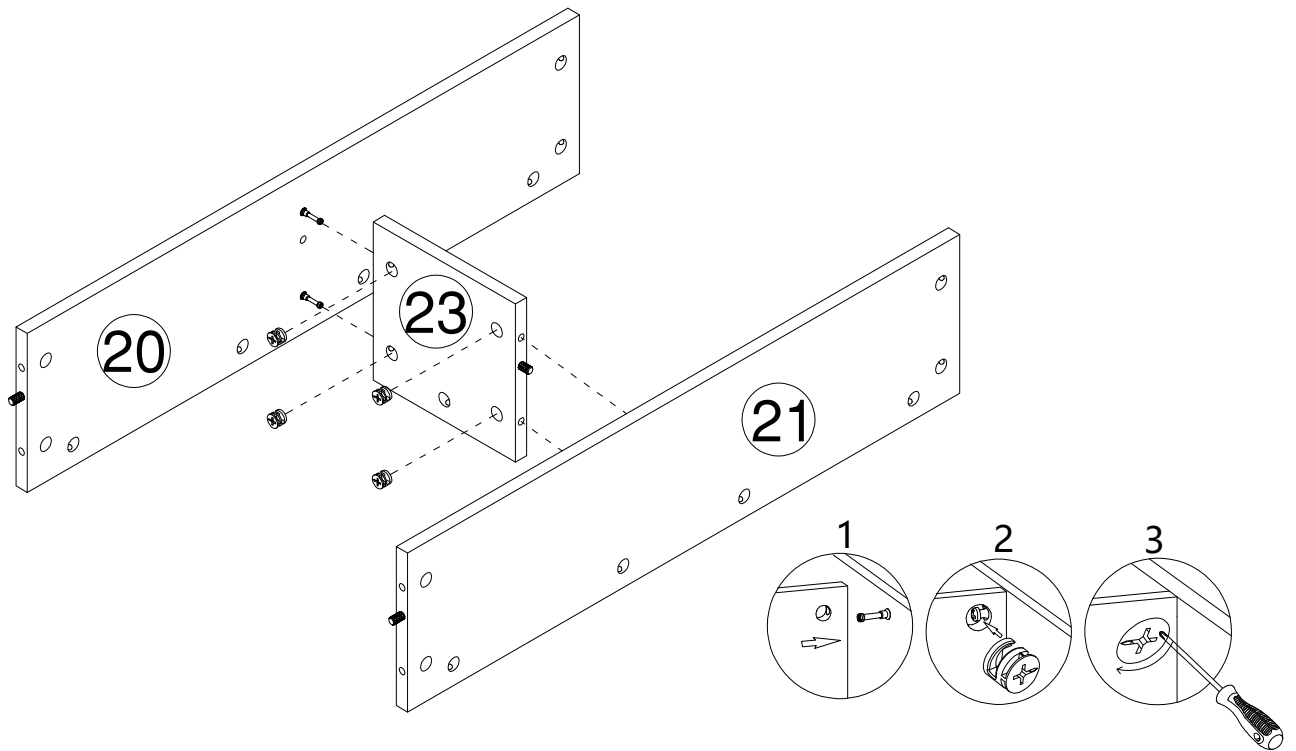
[×3]

K

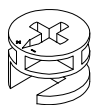


[×6]

15

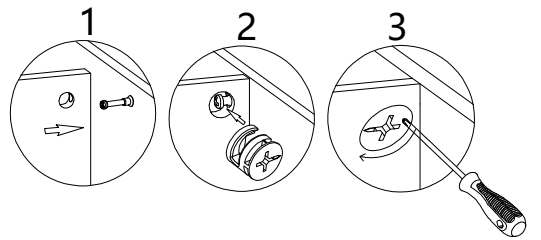
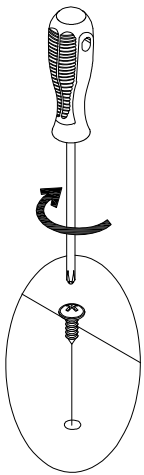
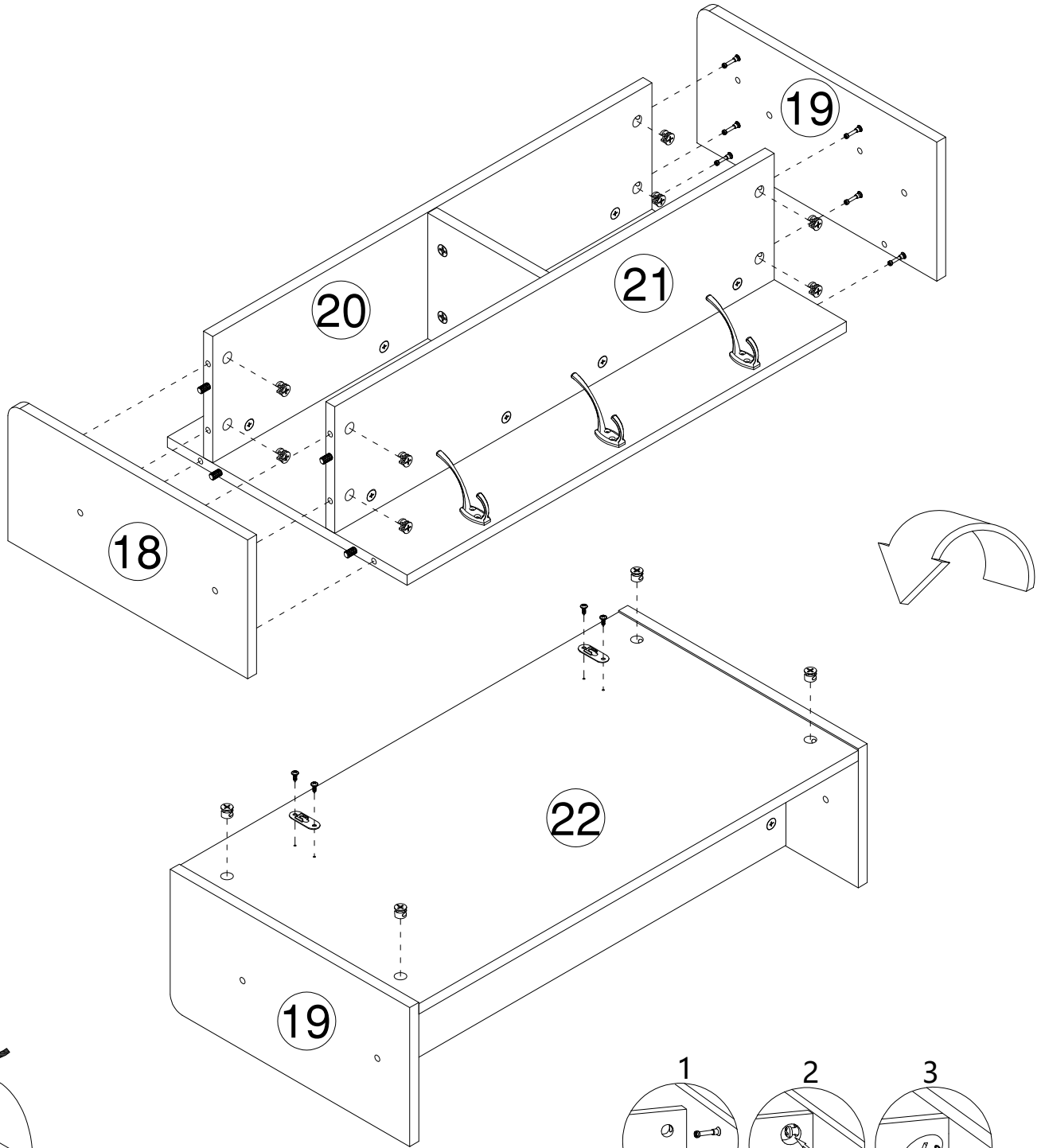


B

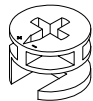


[×13]

16

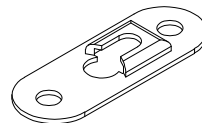


B



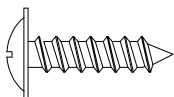
[x12]

V

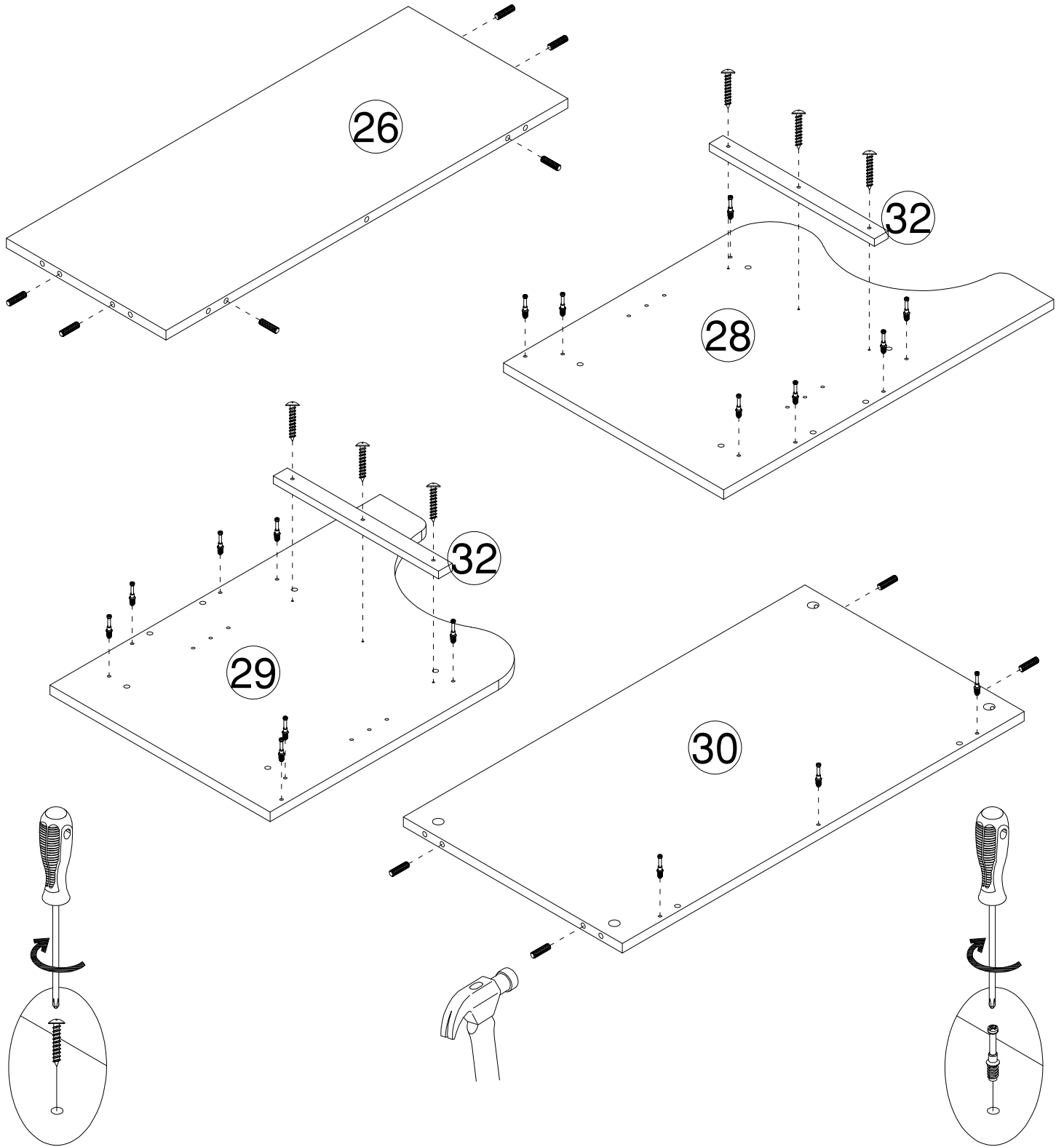


[x2]

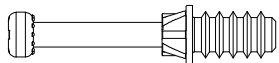
R



[x4]



A



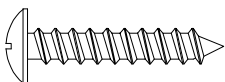
[×17]

C

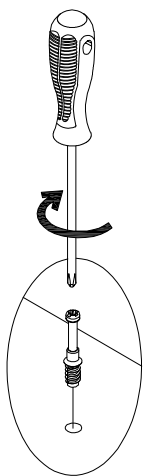
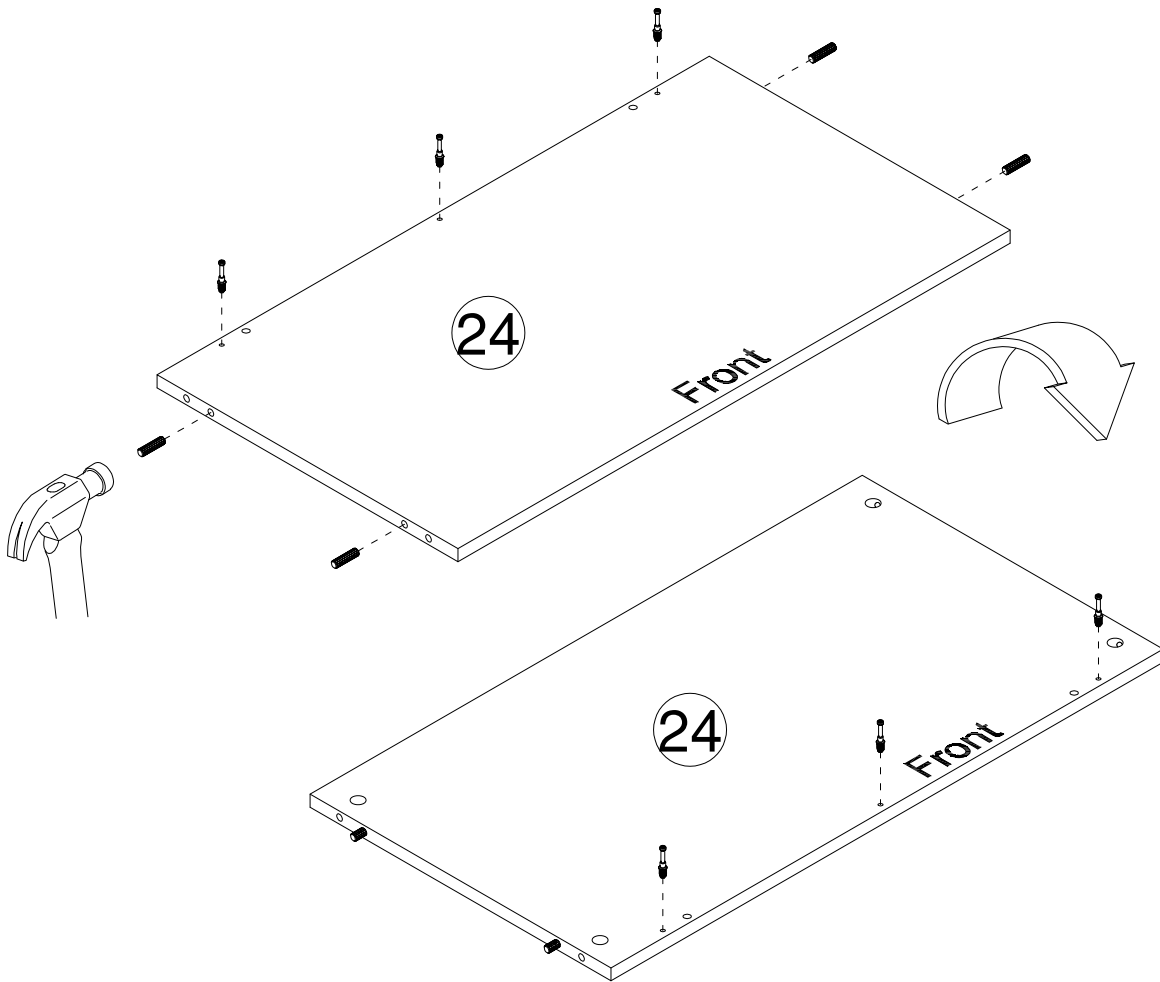
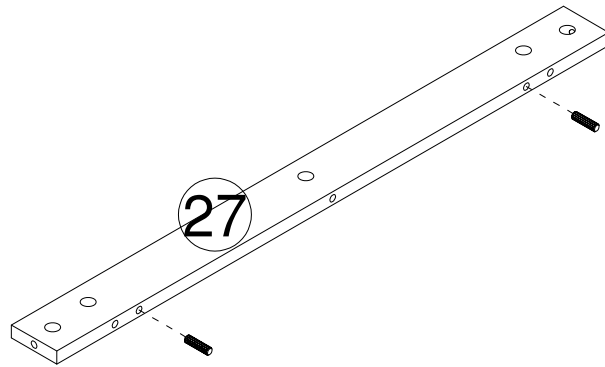


[×10]

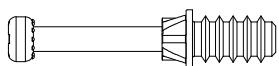
Y



[×6]

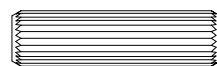


A



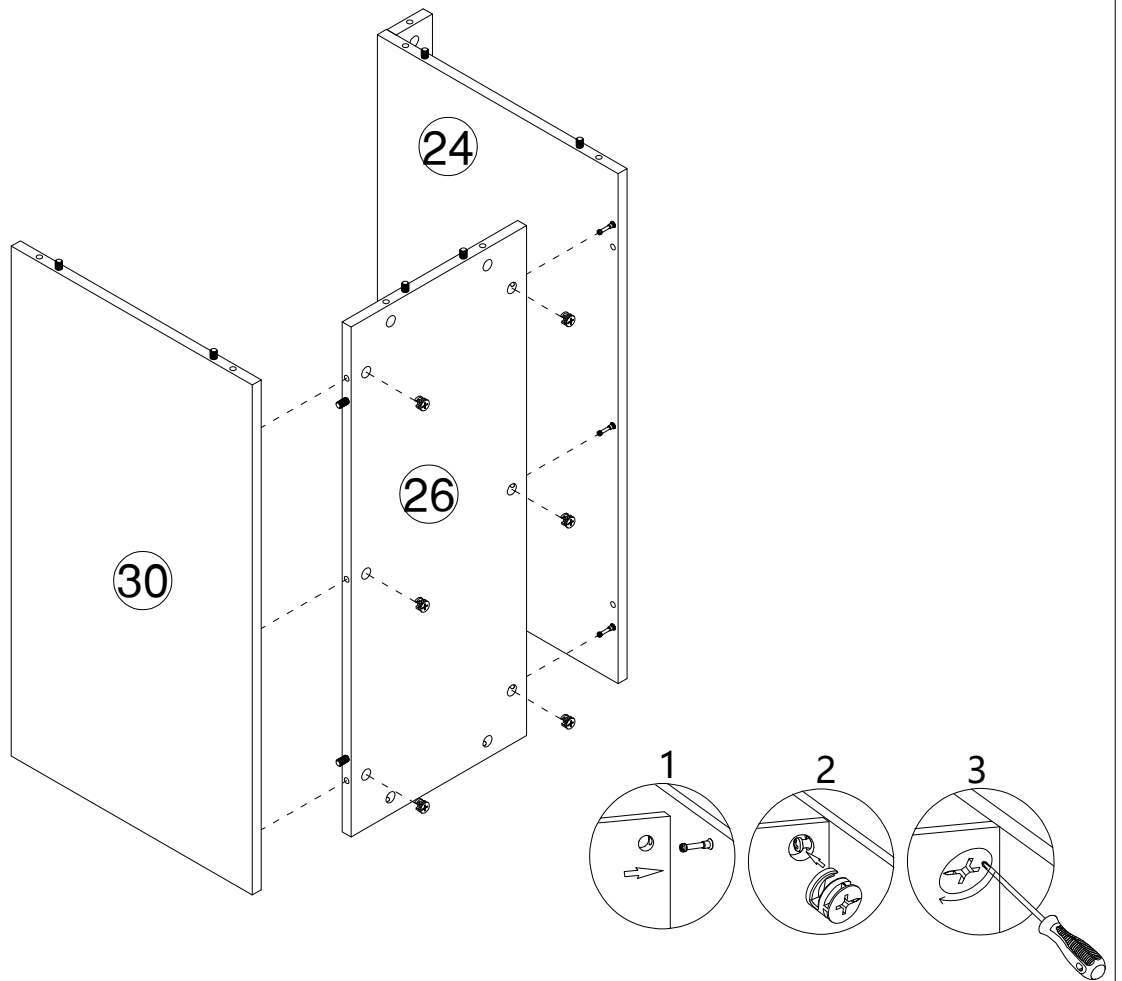
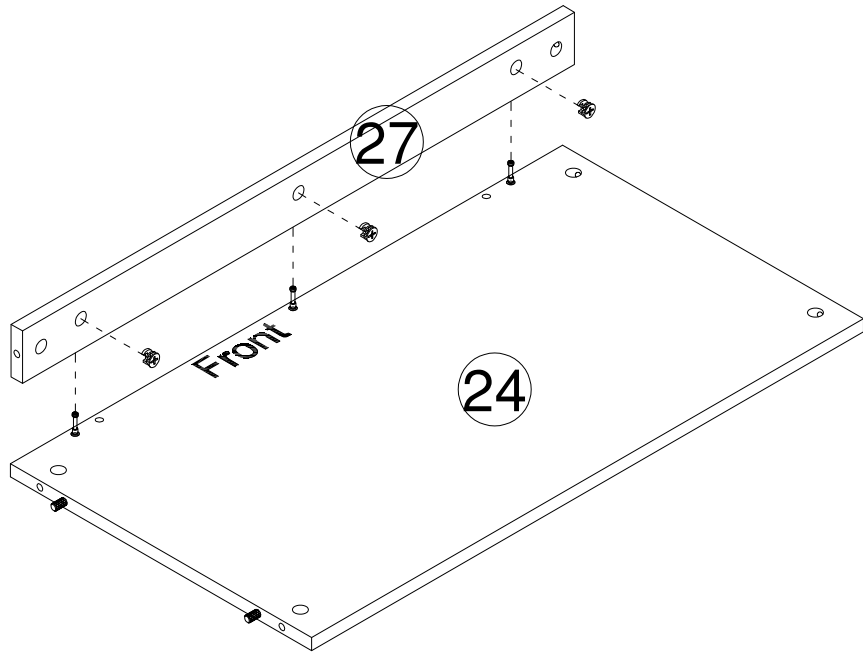
[×6]

C

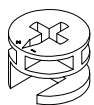


[×6]

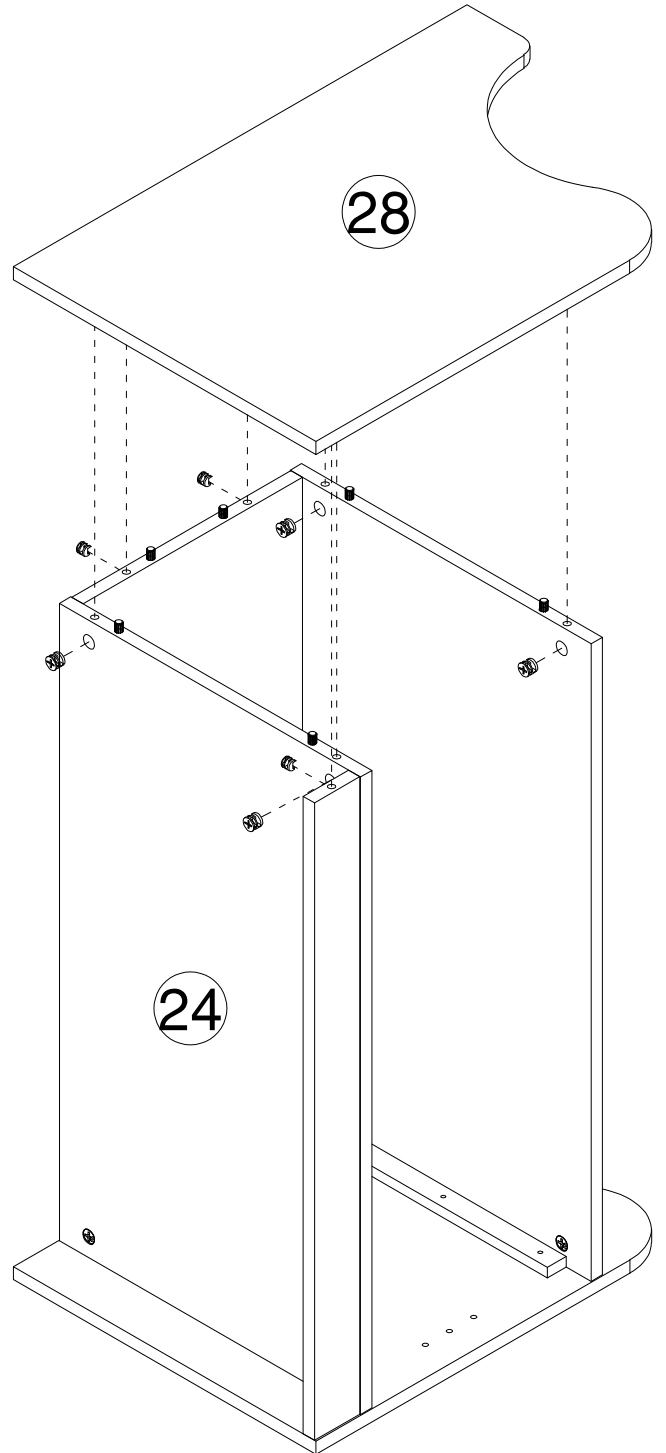
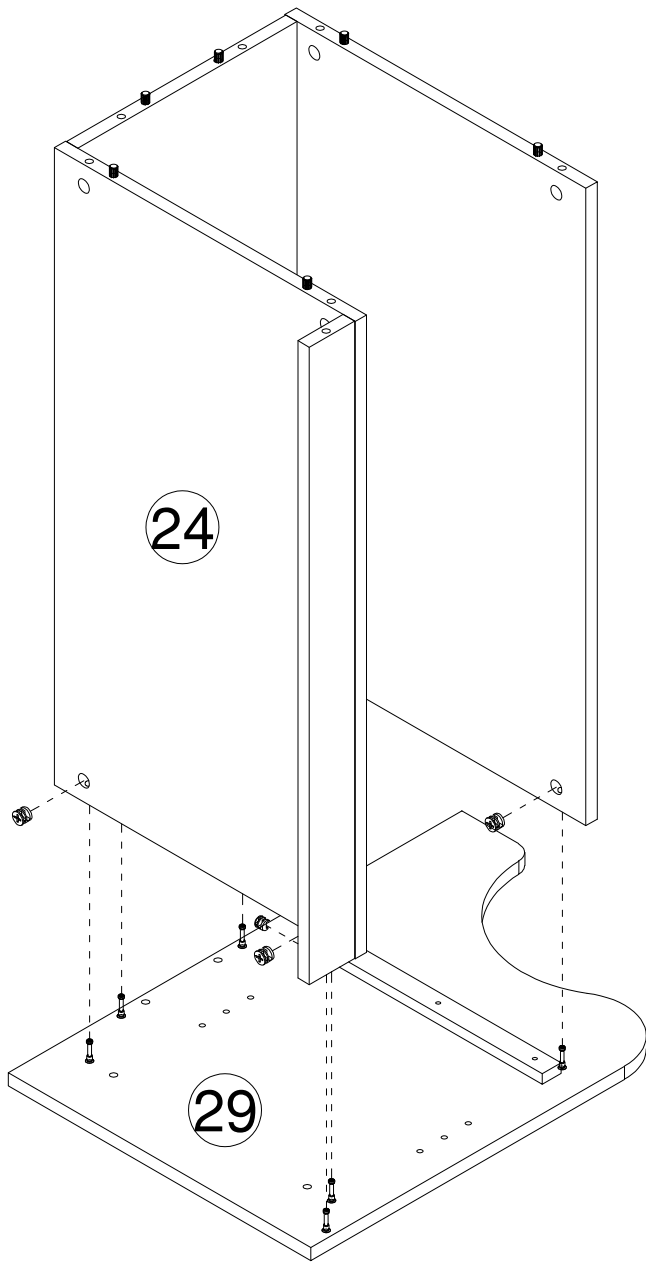
19



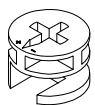
B



[×9]

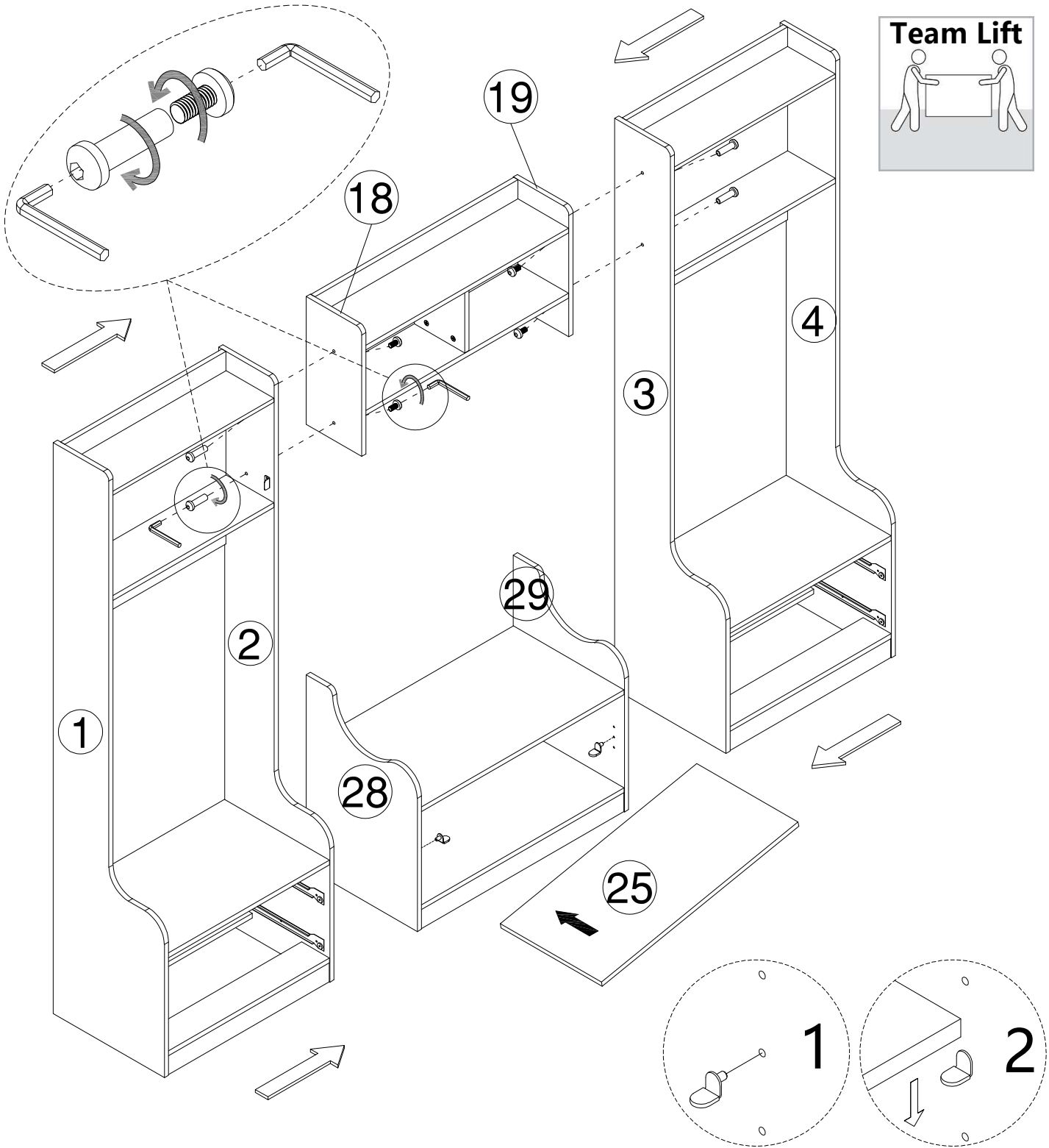


B

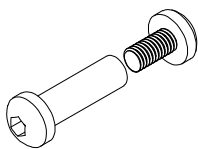


[×14]

21

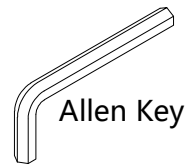


T



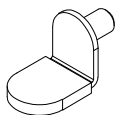
[×4]

W

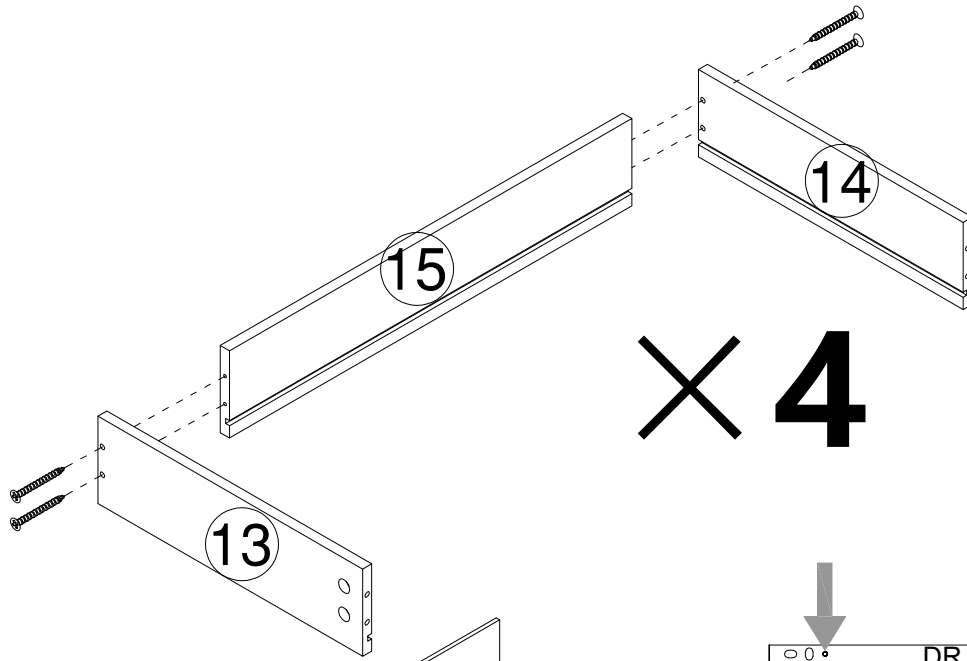


[×2]

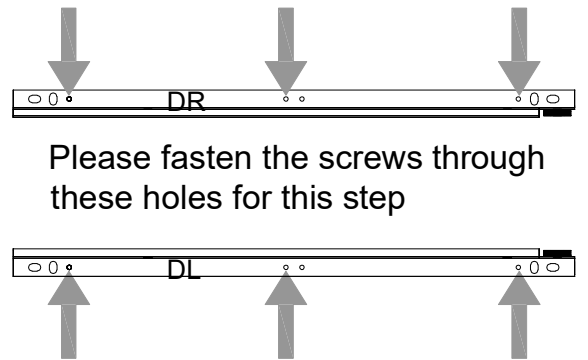
O



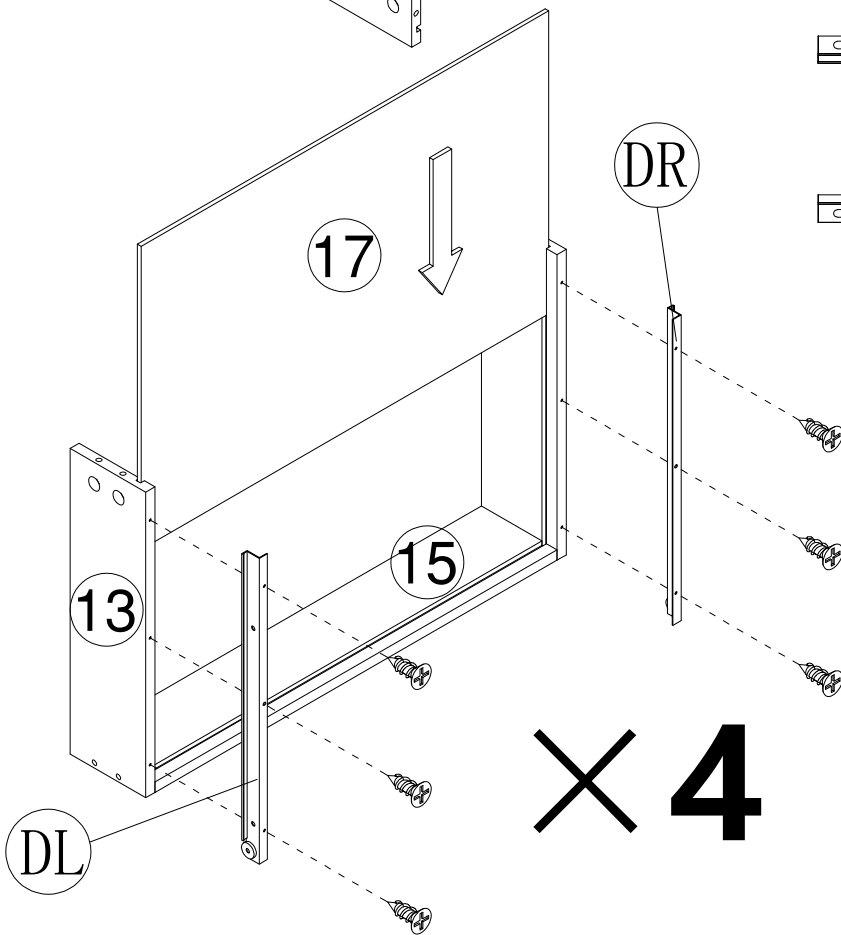
[×4]



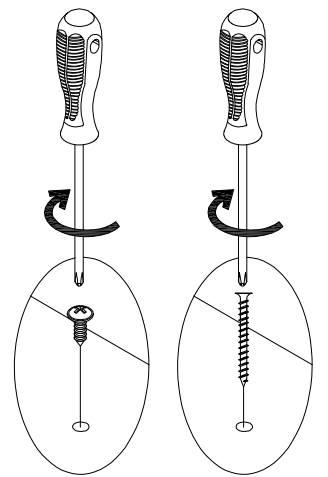
× 4

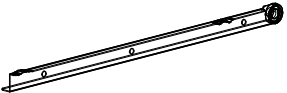


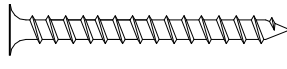
Please fasten the screws through these holes for this step

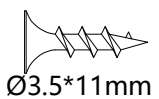


× 4

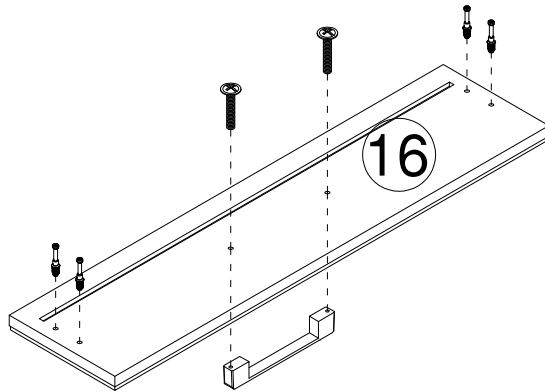


N  [× 8]

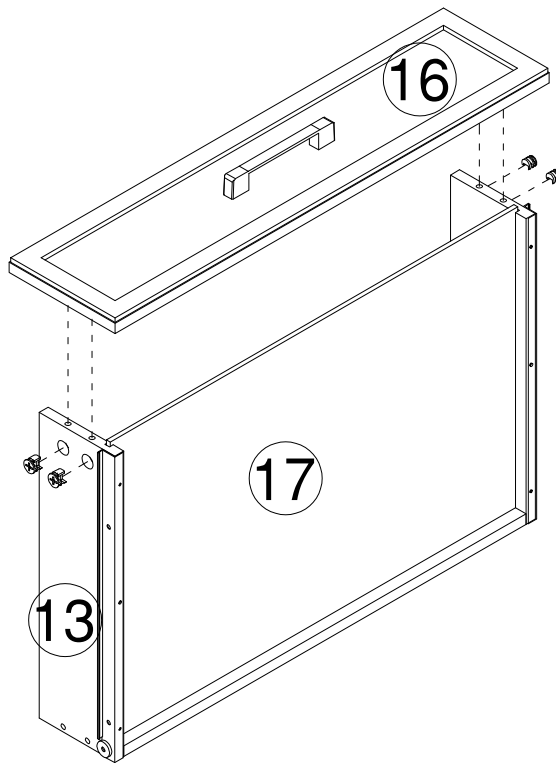
L  [× 16]

U  Ø3.5*11mm [× 24]

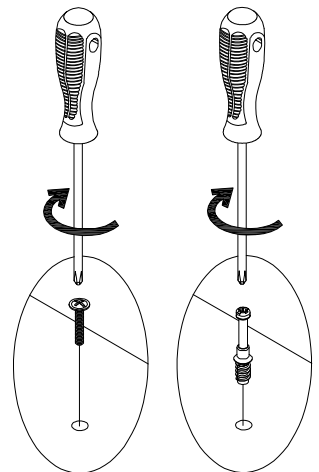
23



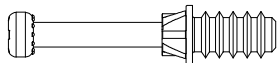
× 4



× 4

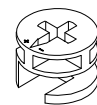


A



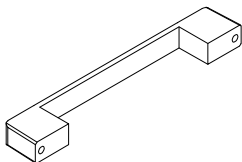
[×16]

D



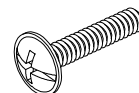
[×16]

G

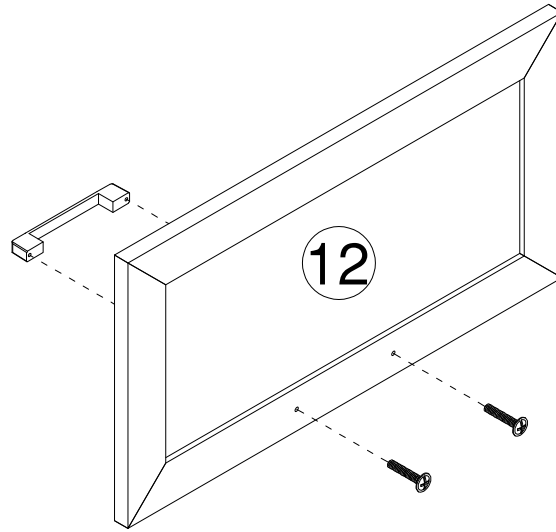


[×4]

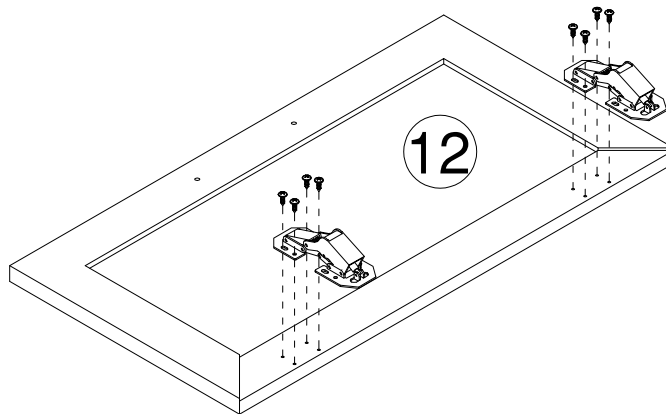
S



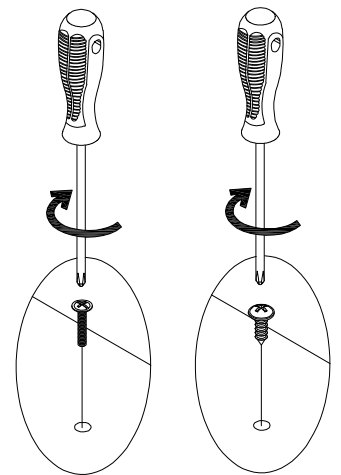
[×8]



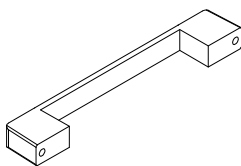
× 2



× 2

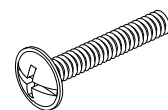


G



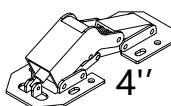
[× 2]

H



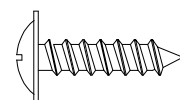
[× 4]

P

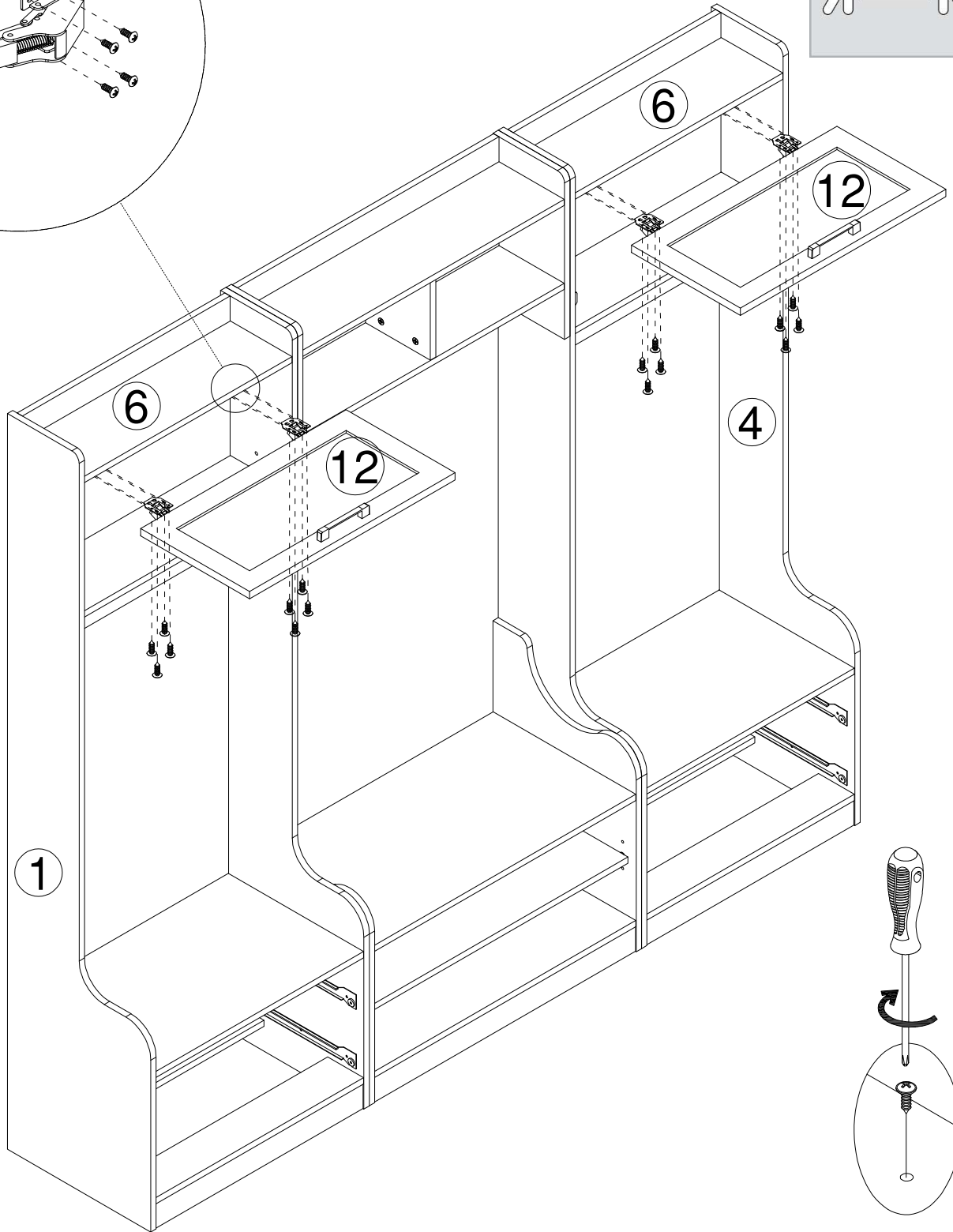
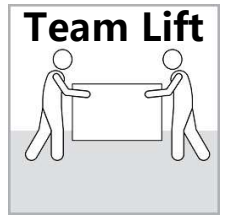
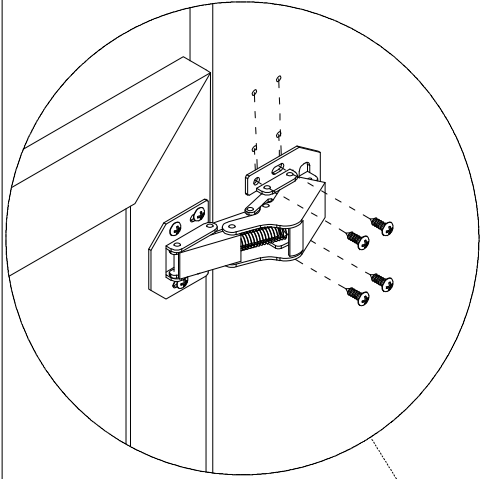


[× 4]

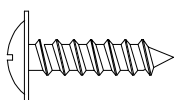
R



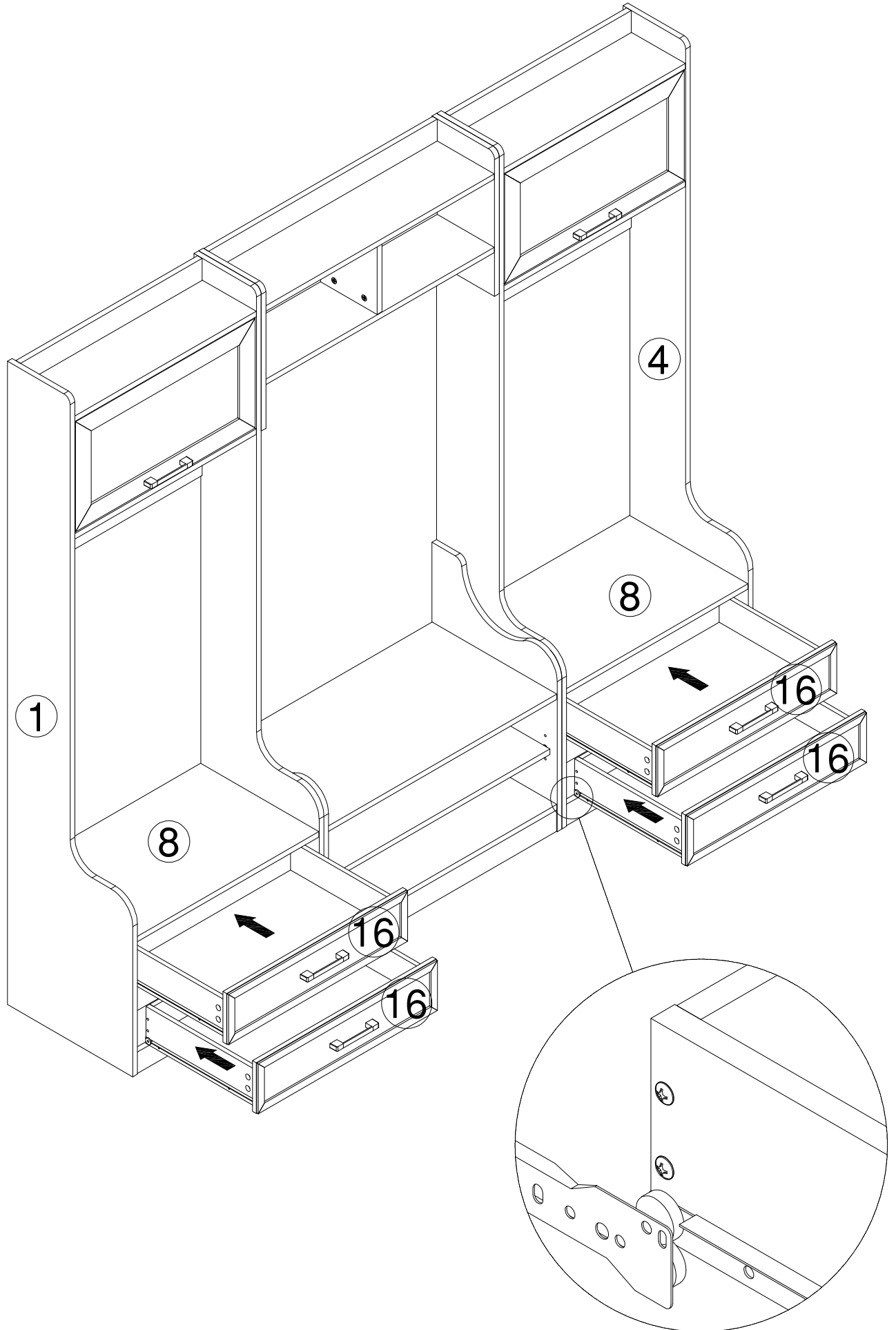
[× 16]

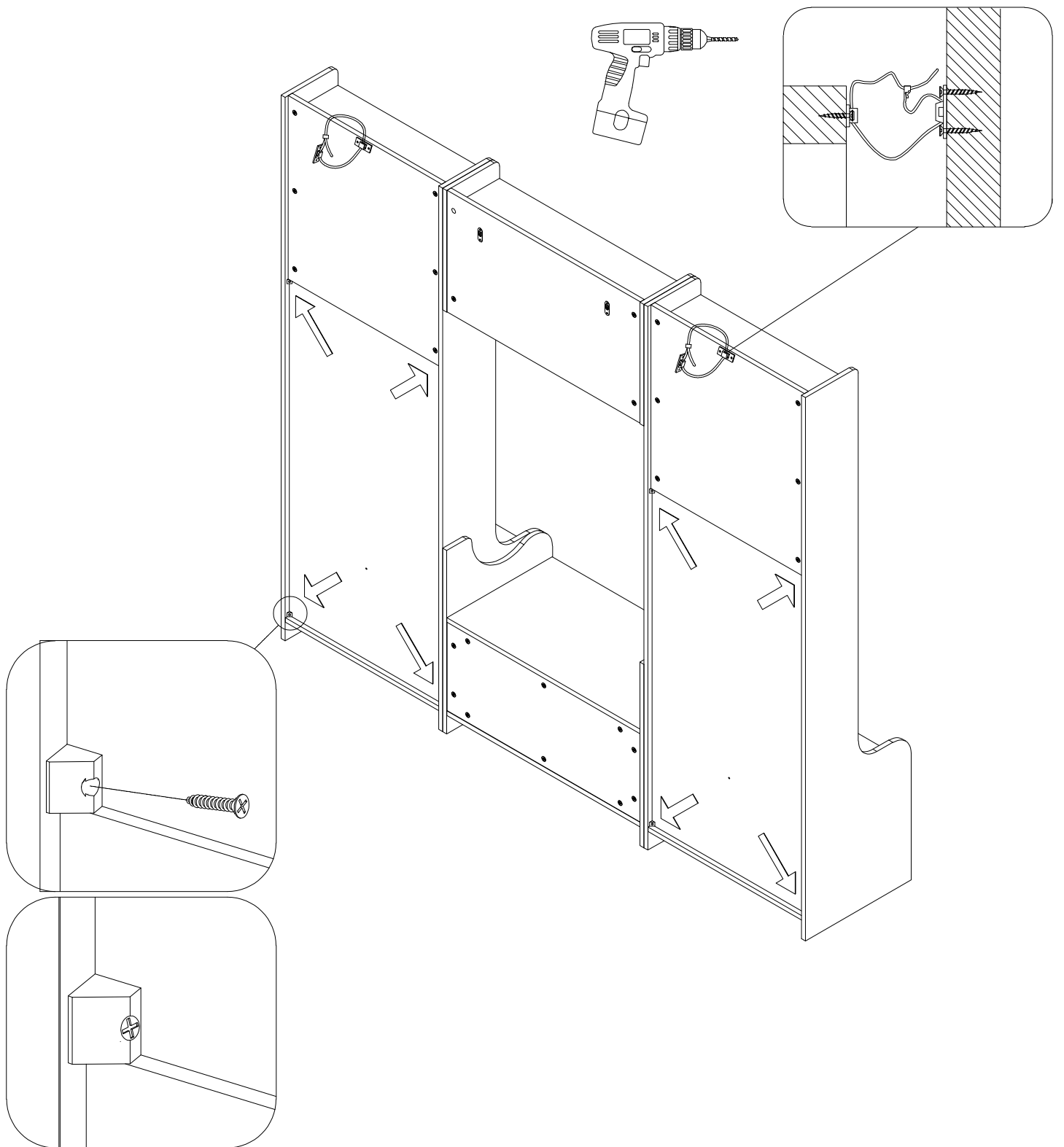


(R)

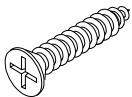


[×16]



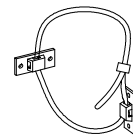


E



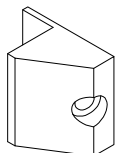
[×8]

Q



[×2]

F



[×8]