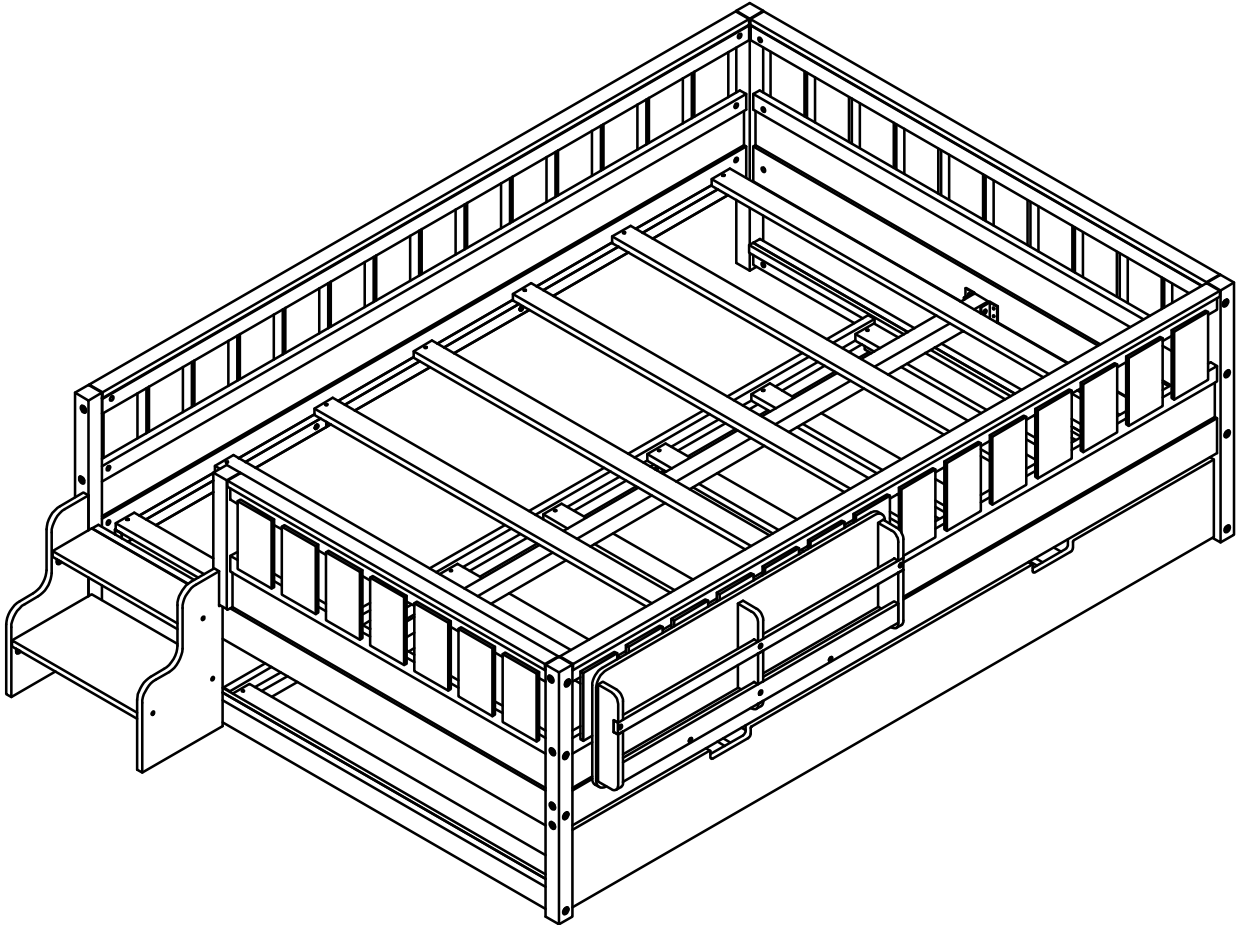


ASSEMBLY INSTRUCTION
SKU CODE : BW00484
FULL PLATFORM BED WITH TRUNDLE



Bed type

Length

Width

Thickness

Full Standard

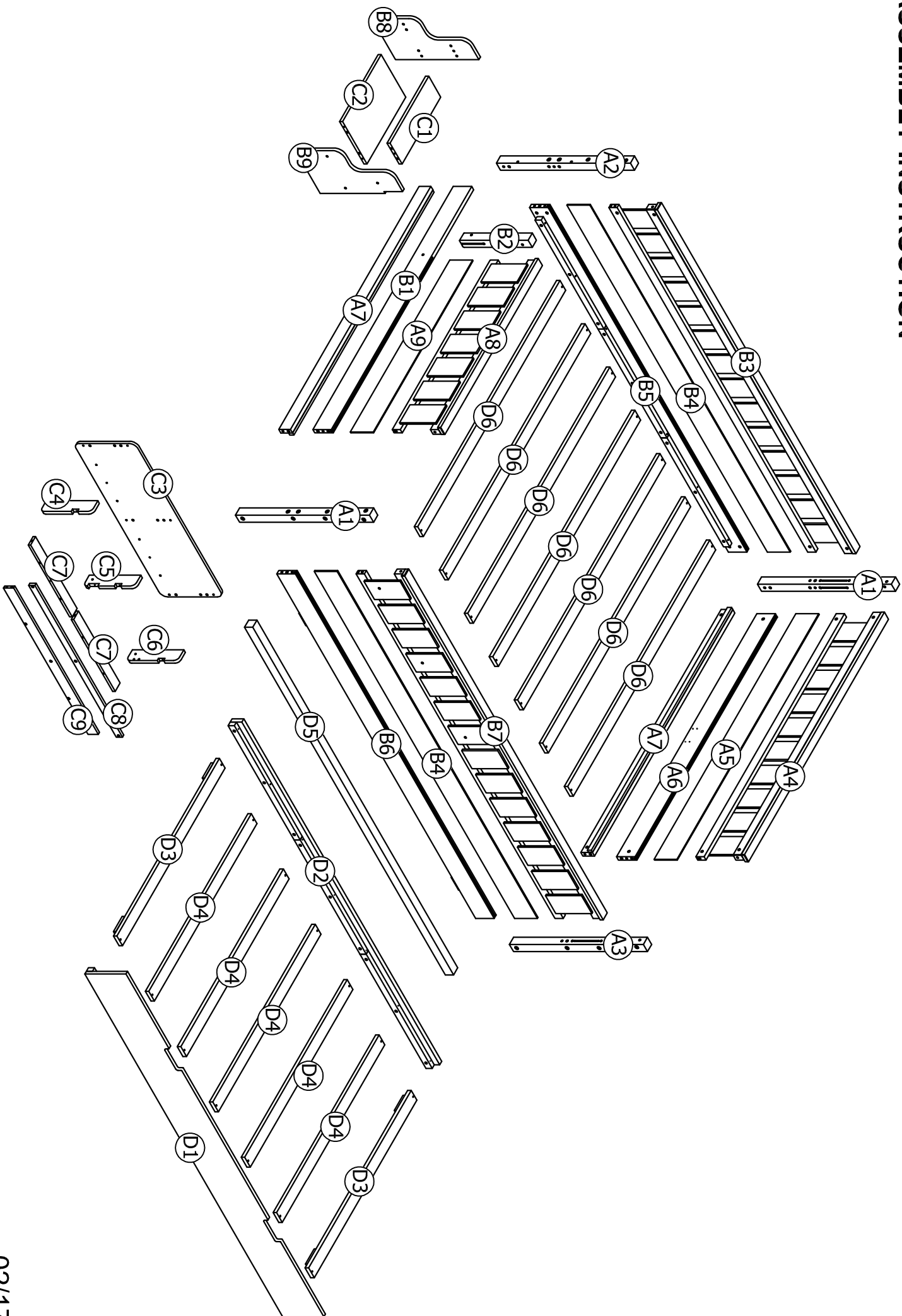
75"

54"




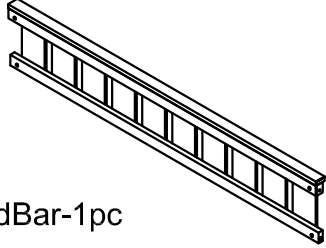
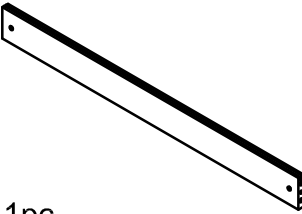
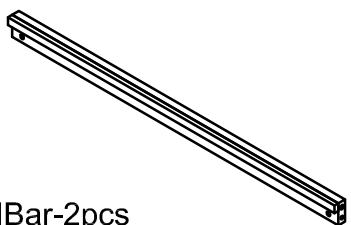
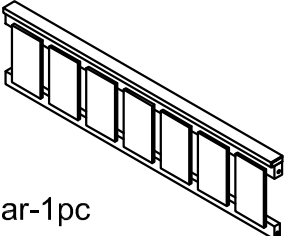
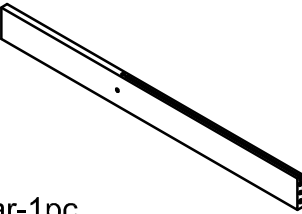



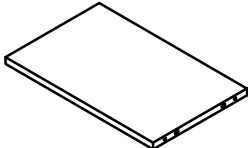
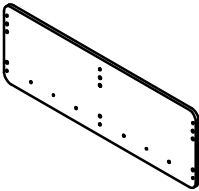



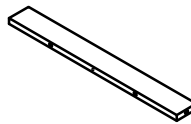
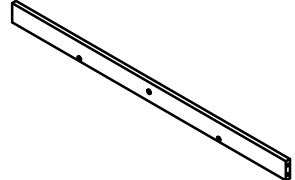
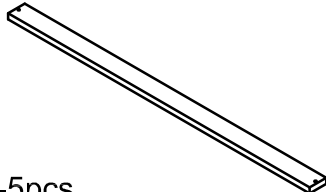
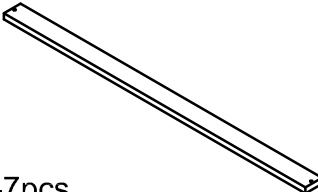
6" max

This set is included 1 boxes if don't receive full 1 boxes please contact our customer service team.

ASSEMBLY INSTRUCTION

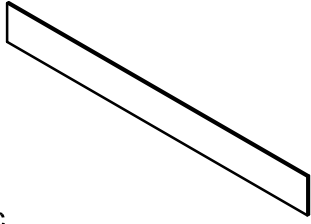


Part List & Hardware List (Box 1-W00484-1)

<p>A1</p>  <p>Leg-2pcs</p>	<p>A2</p>  <p>Leg-1pc</p>	<p>A3</p>  <p>Leg-1pc</p>
<p>A4</p>  <p>WoodBar-1pc</p>	<p>A6</p>  <p>WoodBar-1pc</p>	<p>A7</p>  <p>WoodBar-2pcs</p>
<p>A8</p>  <p>WoodBar-1pc</p>	<p>B1</p>  <p>WoodBar-1pc</p>	<p>B2</p>  <p>WoodBar-1pc</p>
<p>B8</p>  <p>Panel-1pc</p>	<p>B9</p>  <p>Panel-1pc</p>	<p>C2</p>  <p>Panel-1pc</p>
<p>C3</p>  <p>Panel-1pc</p>	<p>C4</p>  <p>WoodBar-1pc</p>	<p>C5</p>  <p>WoodBar-1pc</p>
<p>C6</p>  <p>WoodBar-1pc</p>	<p>C7</p>  <p>WoodBar-2pcs</p>	<p>C9</p>  <p>WoodBar-1pc</p>
<p>D4</p>  <p>Slats-5pcs</p>	<p>D6</p>  <p>Slats-7pcs</p>	

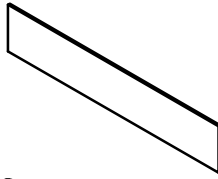
Part List (Box 2-W00484-2)

A5



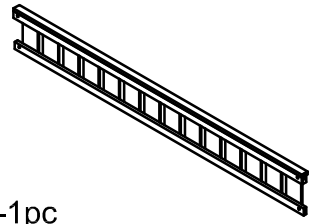
Panel-1pc

A9



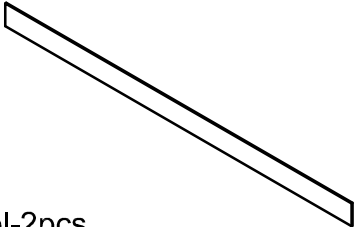
Panel-1pc

B3



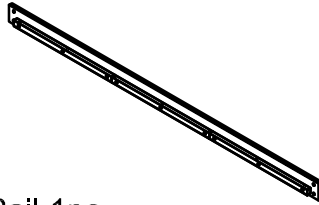
WoodBar-1pc

B4



Panel-2pcs

B5



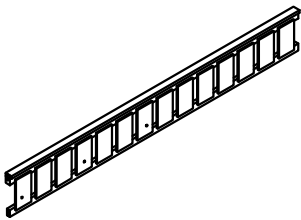
Side Rail-1pc

B6



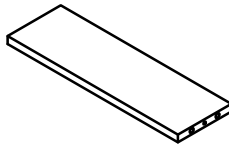
Side Rail-1pc

B7



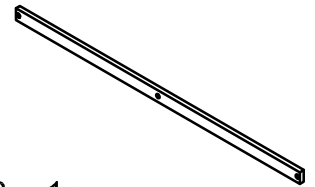
WoodBar-1pc

C1



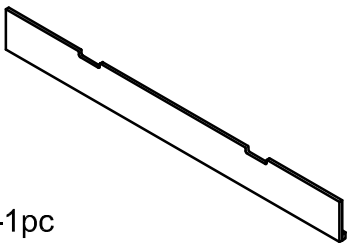
Panel-1pc

C8



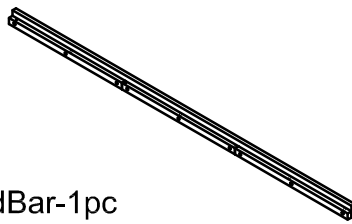
WoodBar-1pc

D1



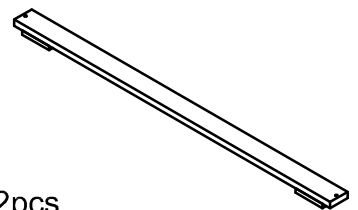
Panel-1pc

D2



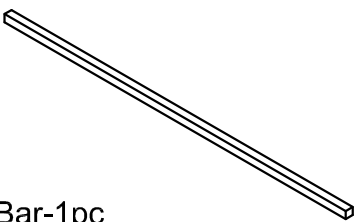
WoodBar-1pc

D3







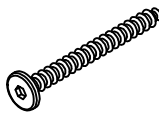

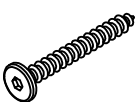
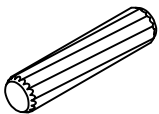
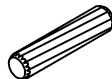
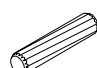
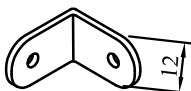
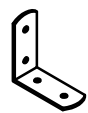
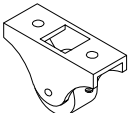


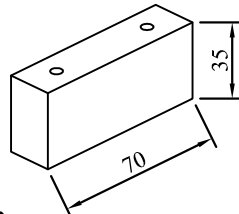

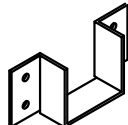
Slats-2pcs

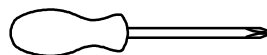
D5



WoodBar-1pc

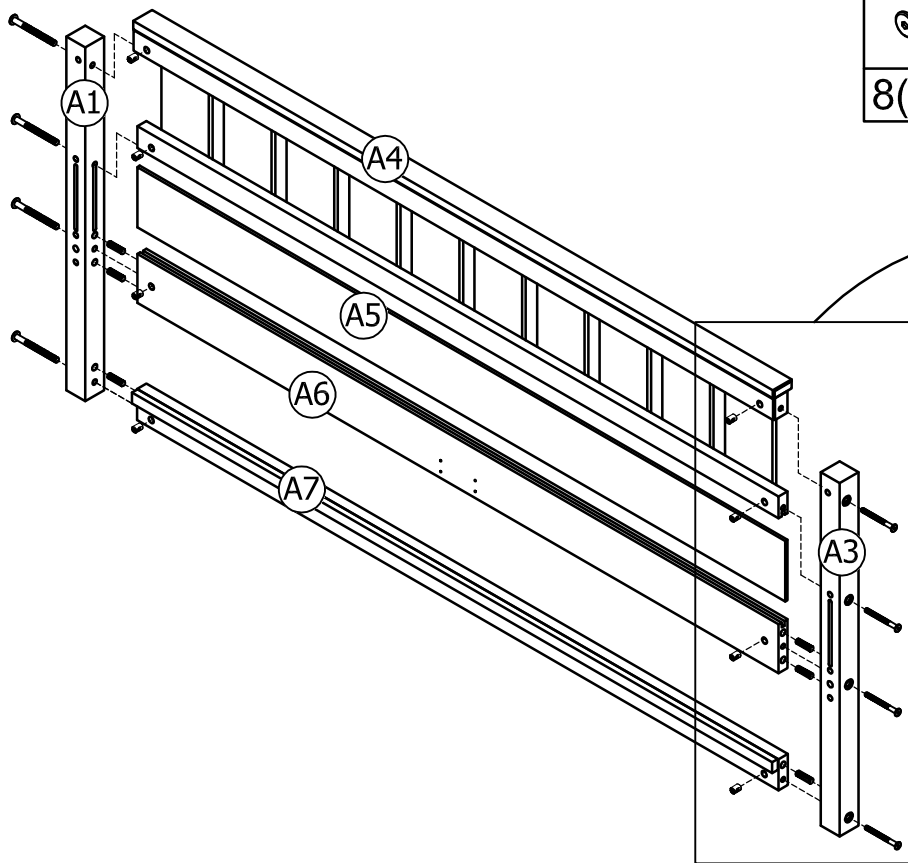
Hardware List (Box 1-W00484-1)

<p>1</p>  <p>Bolts Ø1/4" x 80 mm -32pcs</p>	<p>2</p>  <p>Bolts Ø1/4" x 35 mm - 3pcs</p>	<p>3</p>  <p>Bolts Ø1/4" x 25 mm - 6pcs</p>
<p>4</p>  <p>Ø1/4" x 13 mm Horizontal-Hole bolts -32 pcs</p>	<p>5</p>  <p>Screws 1/4" x60mm- 3pcs</p>	<p>6</p>  <p>Allen Key - 1pc</p>
<p>7</p>  <p>Screws 1/4" x40mm- 7pcs</p>	<p>8</p>  <p>Wood dowel Ø10 x 40 mm -16pcs</p>	<p>9</p>  <p>Wood dowel Ø8 x 30 mm - 9pcs</p>
<p>10</p>  <p>Wood dowel Ø6 x 30 mm - 22pcs</p>	<p>11</p>  <p>Steel Bracket - 8pcs</p>	<p>12</p>  <p>Steel Bracket - 3pcs</p>
<p>13</p>  <p>Wheels -4pcs</p>	<p>14</p>  <p>Wood Screws M4 x 30mm- 40pcs</p>	<p>15</p>  <p>Wood Screws M3.5 x15mm-36pcs</p>
<p>16</p>  <p>WoodBar-2pcs</p>	<p>17</p>  <p>Wood Screws M4 x 20mm- 8pcs</p>	<p>18</p>  <p>Steel Bracket - 2pcs</p>

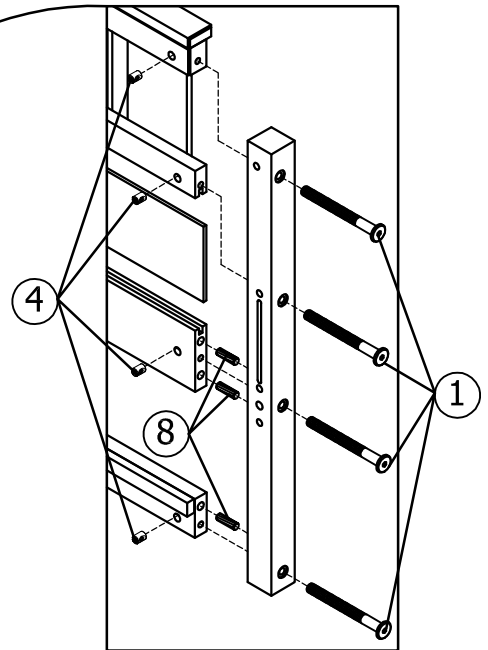


Assembly Tools Required (Not Included)

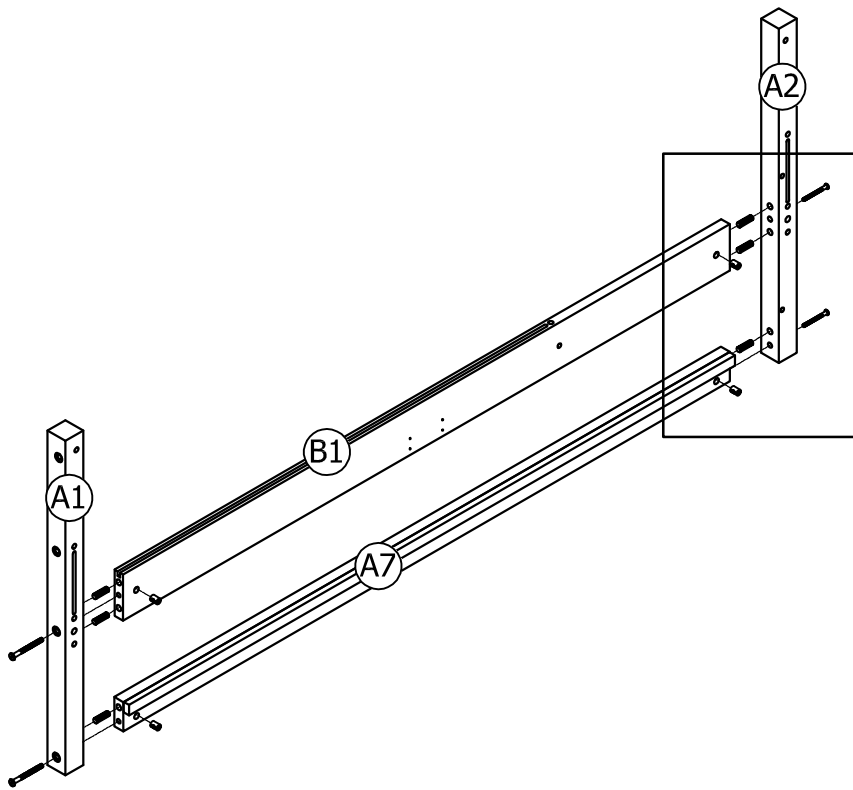
STEP 1:



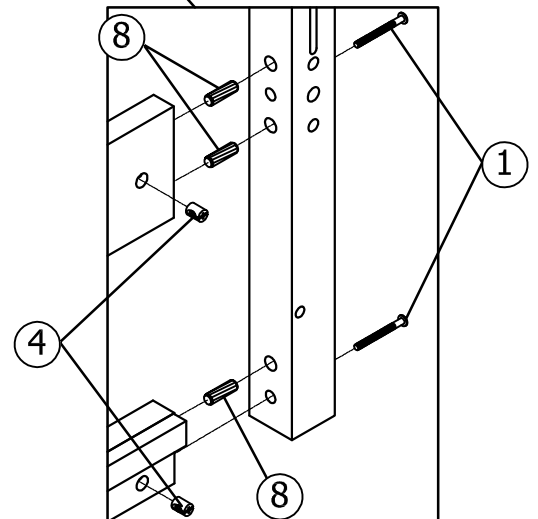
1	4	8
8(pcs)	8(pcs)	6(pcs)



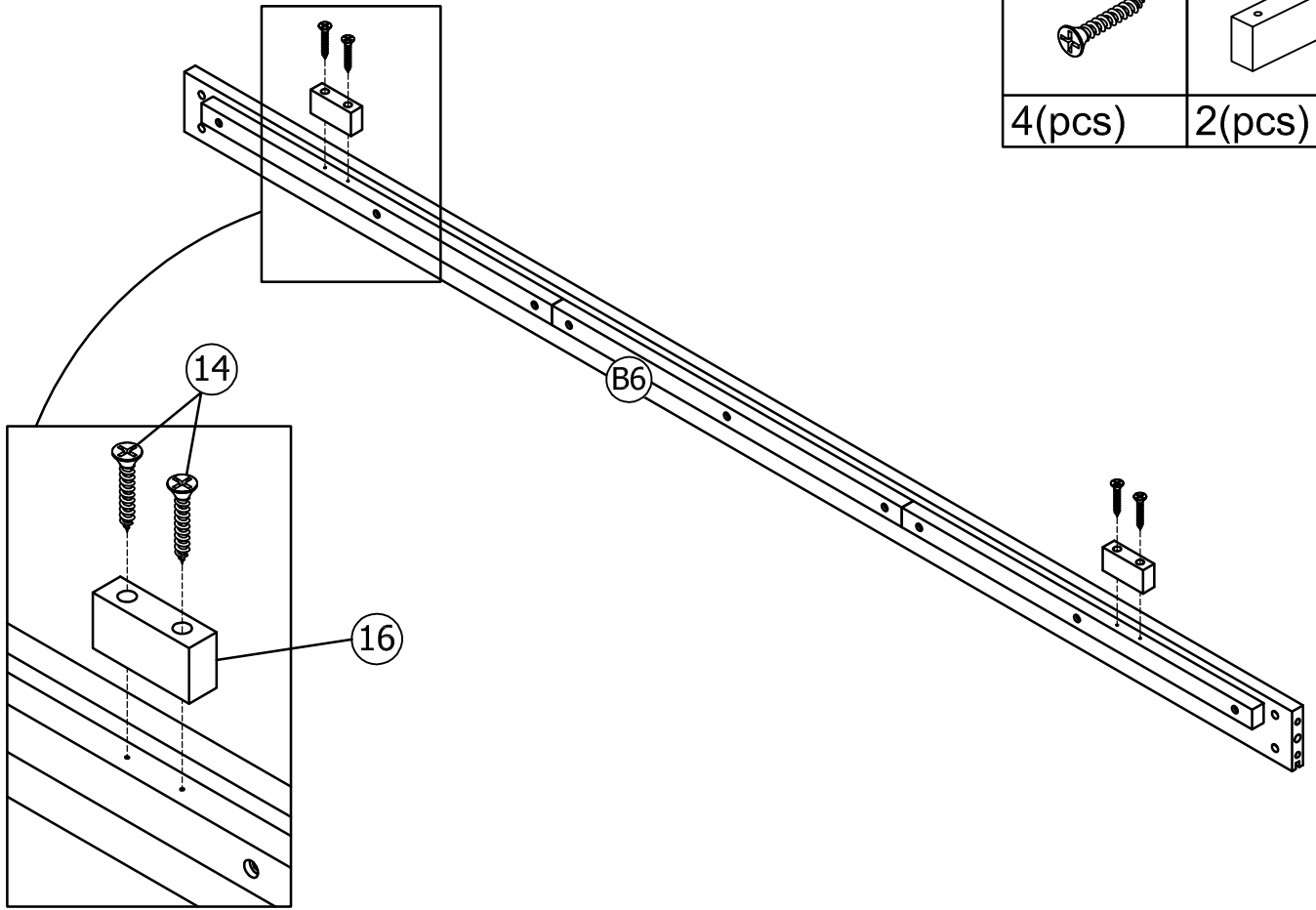
STEP 2:


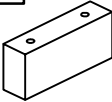


1	4	8
4(pcs)	4(pcs)	6(pcs)

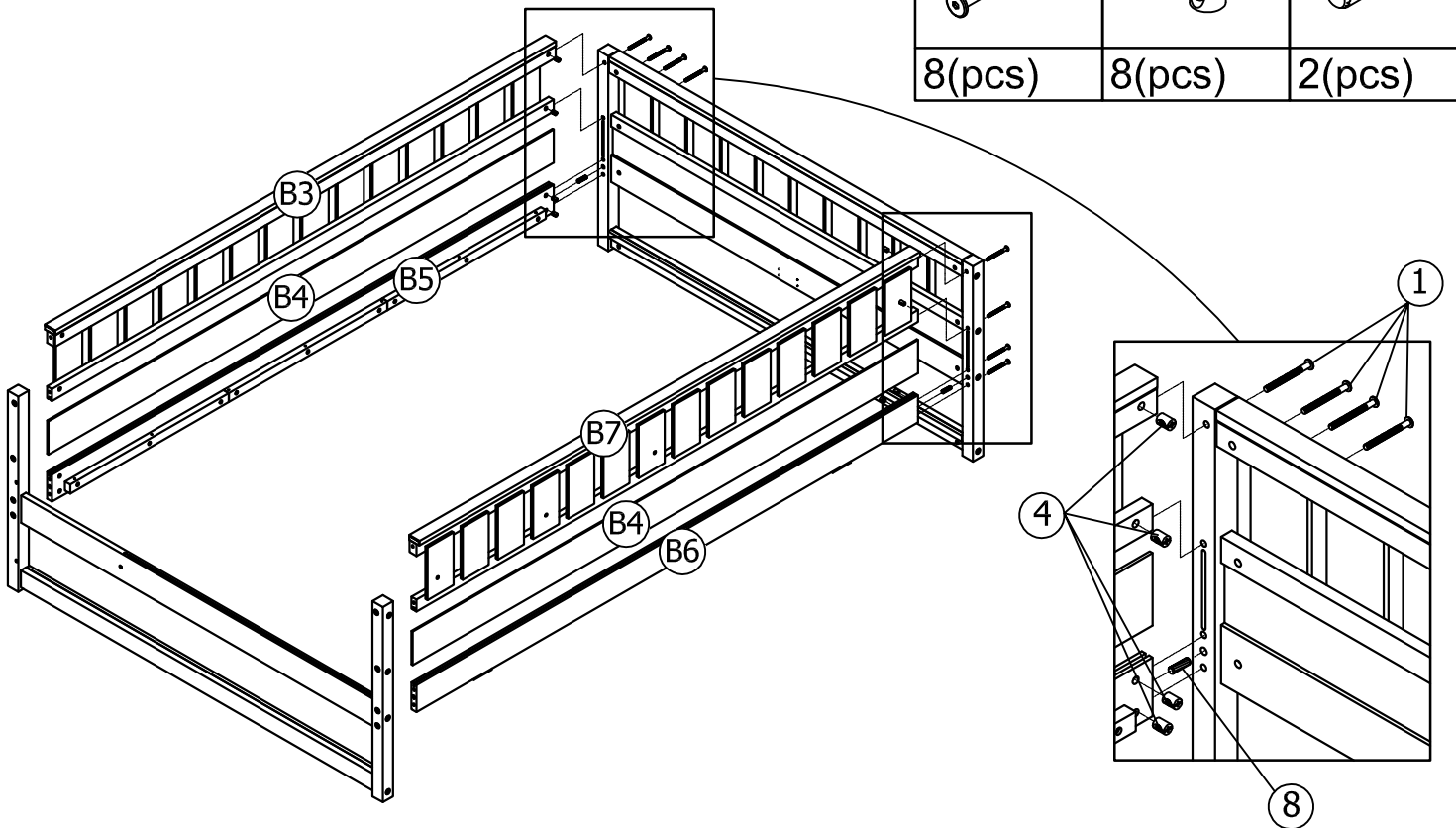




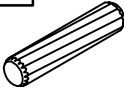
STEP 3:



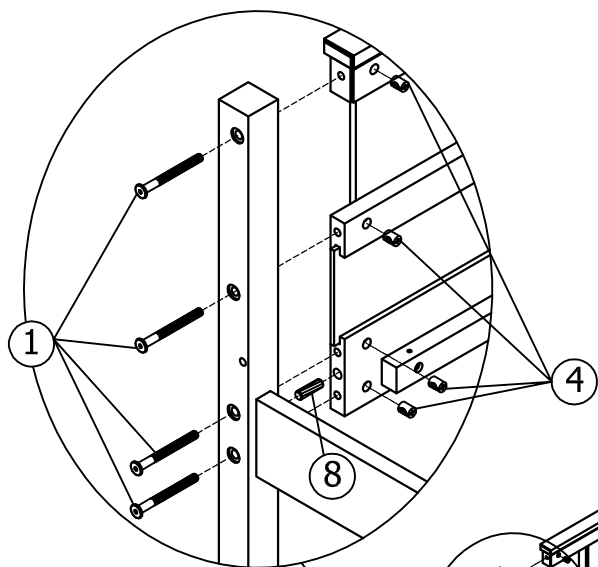
14	16
	
4(pcs)	2(pcs)

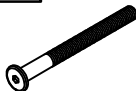

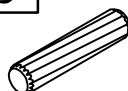
STEP 4:

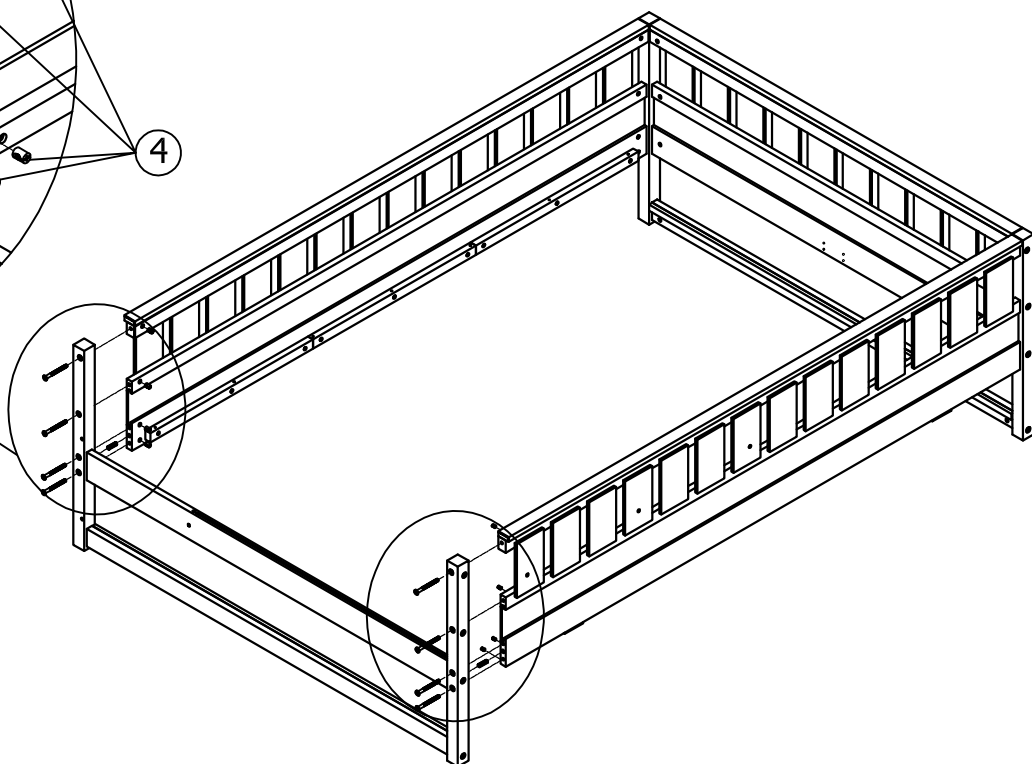


1	4	8
		
8(pcs)	8(pcs)	2(pcs)

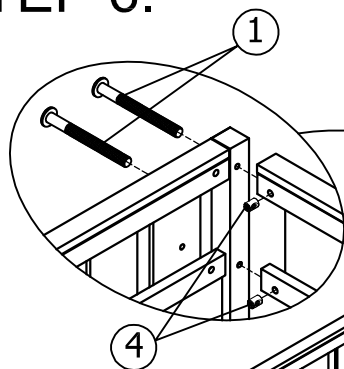
STEP 5:

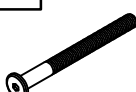

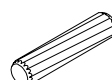


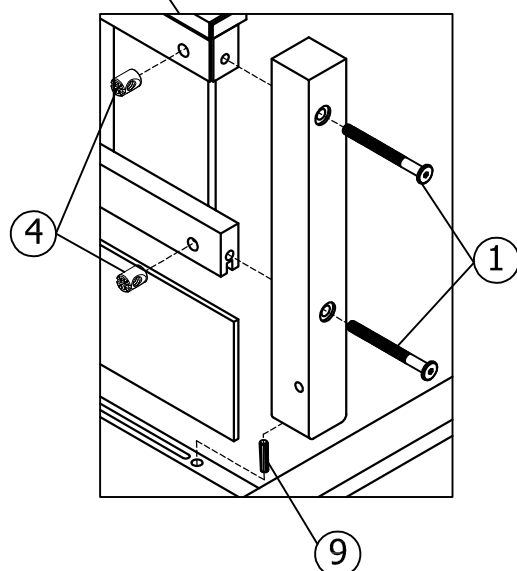
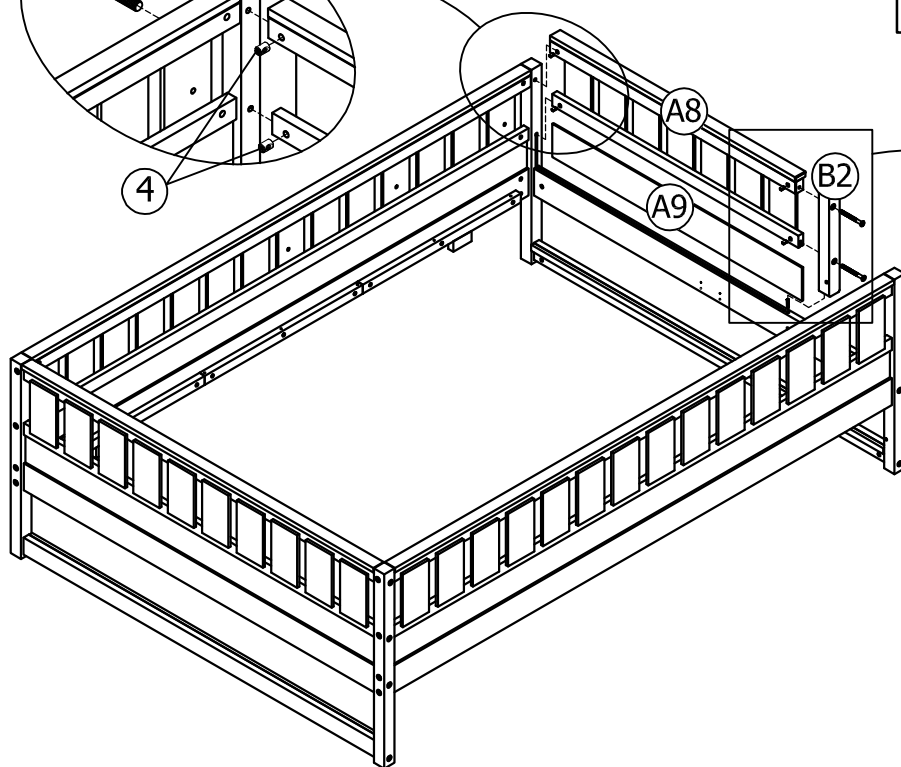
1	4	8
		
8(pcs)	8(pcs)	2(pcs)




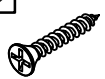
STEP 6:

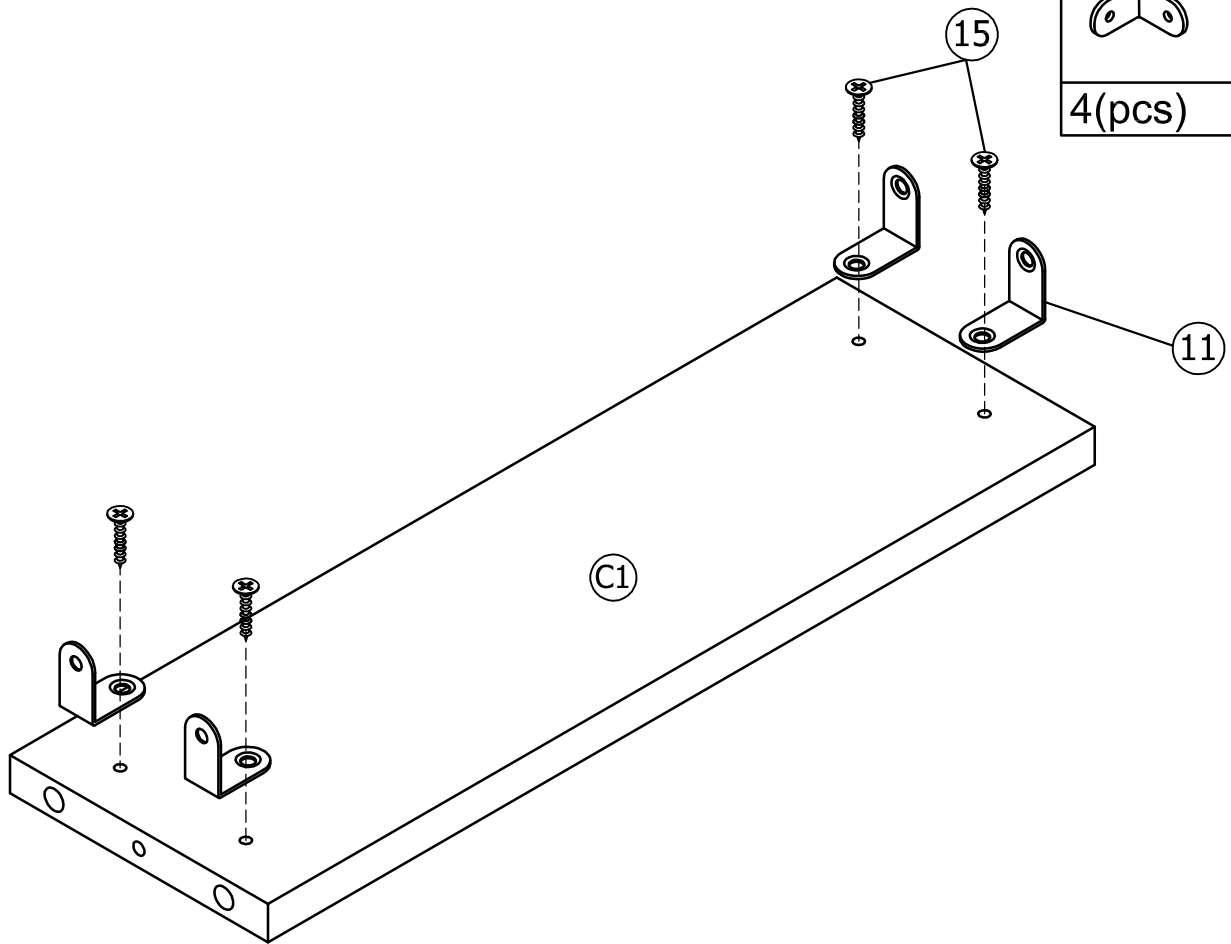


1	4	9
		
4(pcs)	4(pcs)	1(pc)

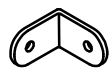
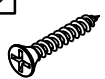


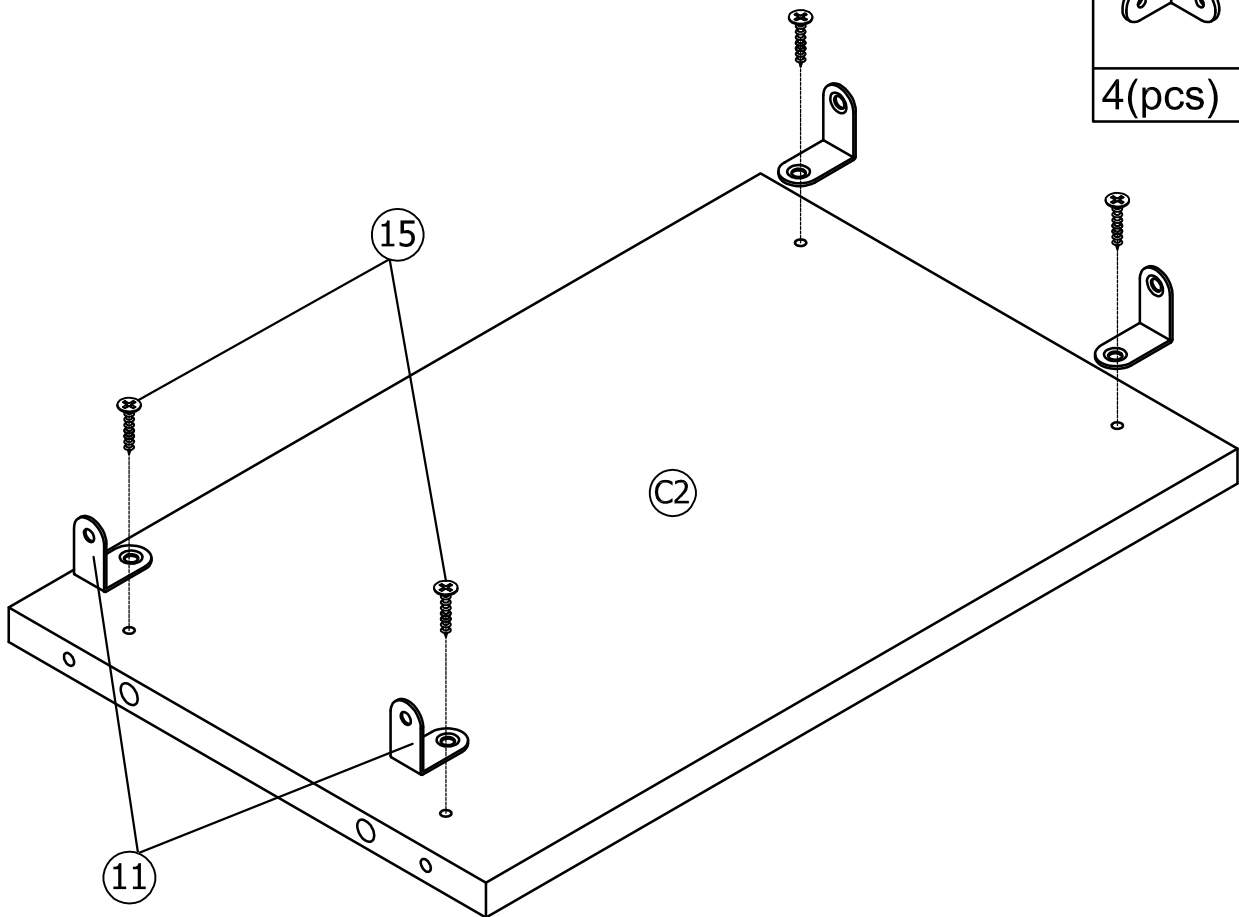
STEP 7:

11	15
	
4(pcs)	4(pcs)

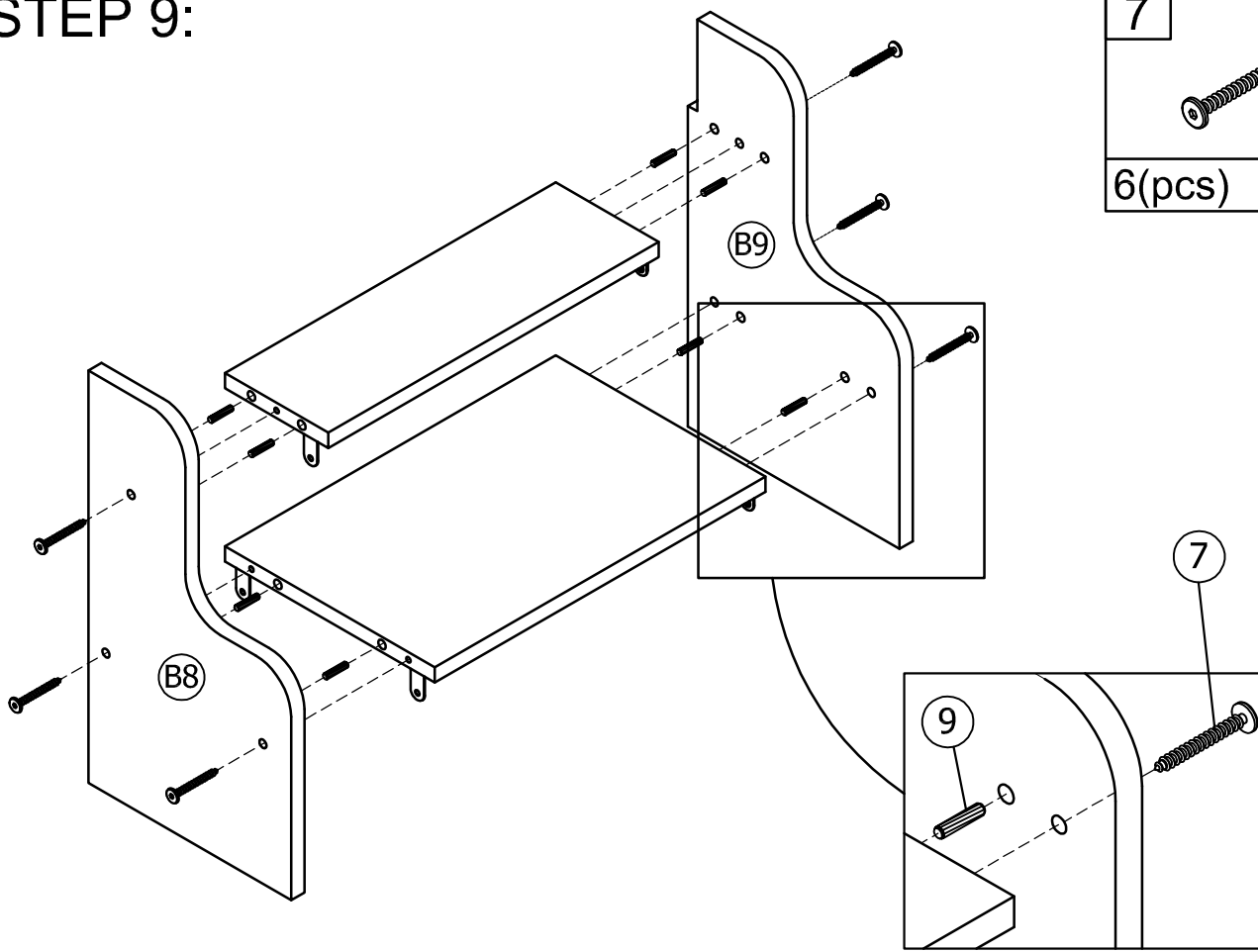


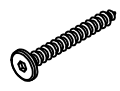
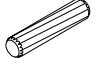
STEP 8:

11	15
	
4(pcs)	4(pcs)

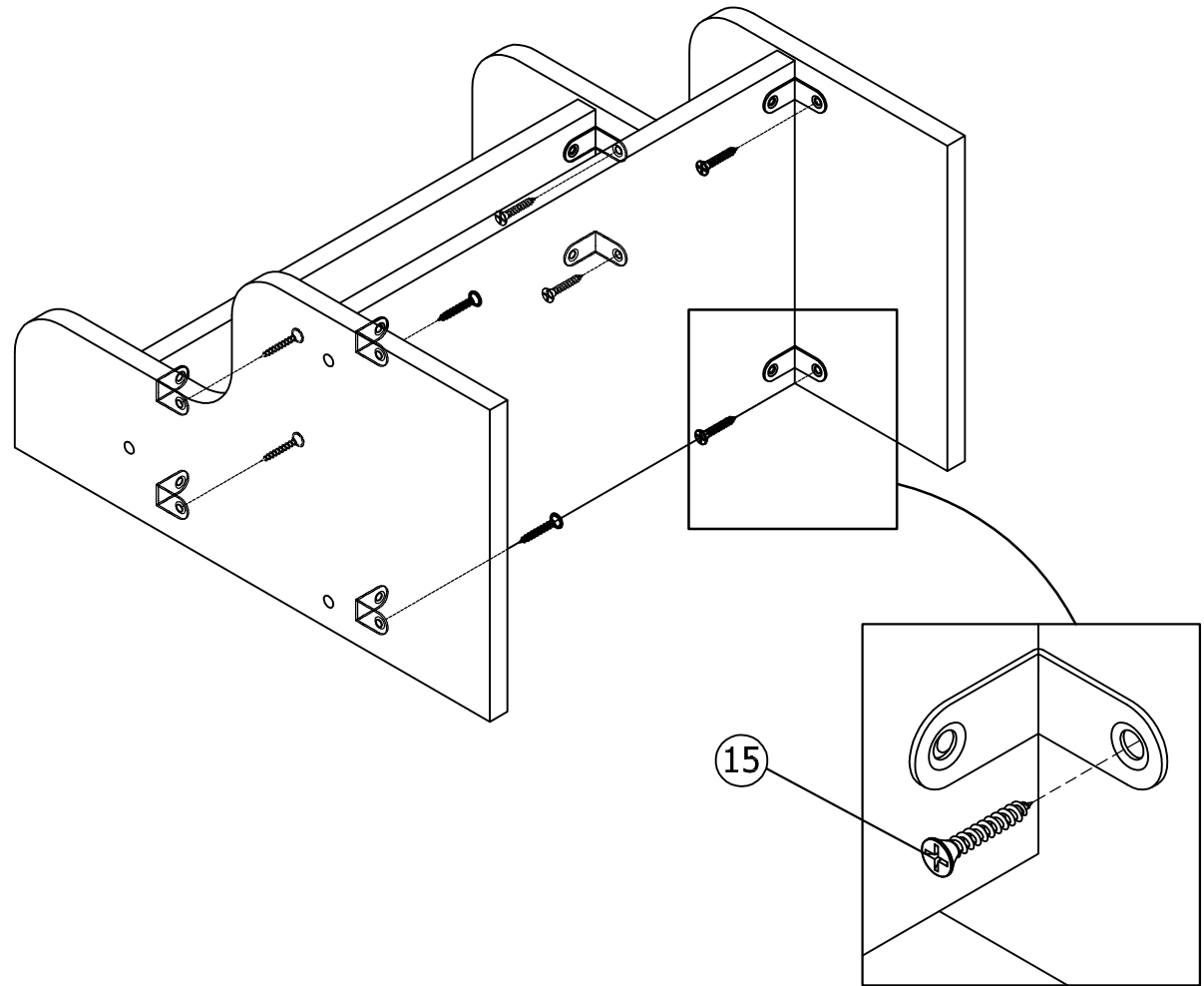



STEP 9:



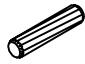

7	9
	
6(pcs)	8(pcs)

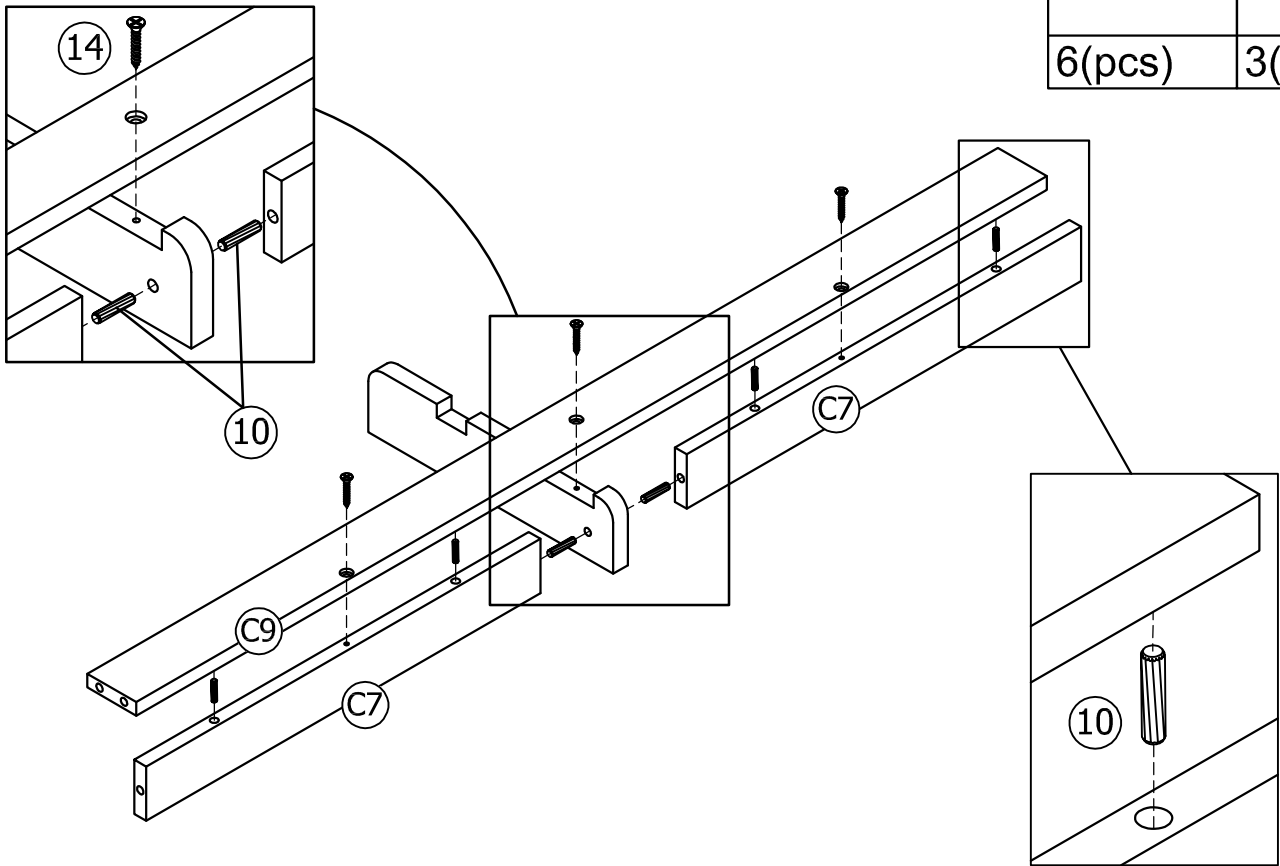
STEP 10:




15

8(pcs)

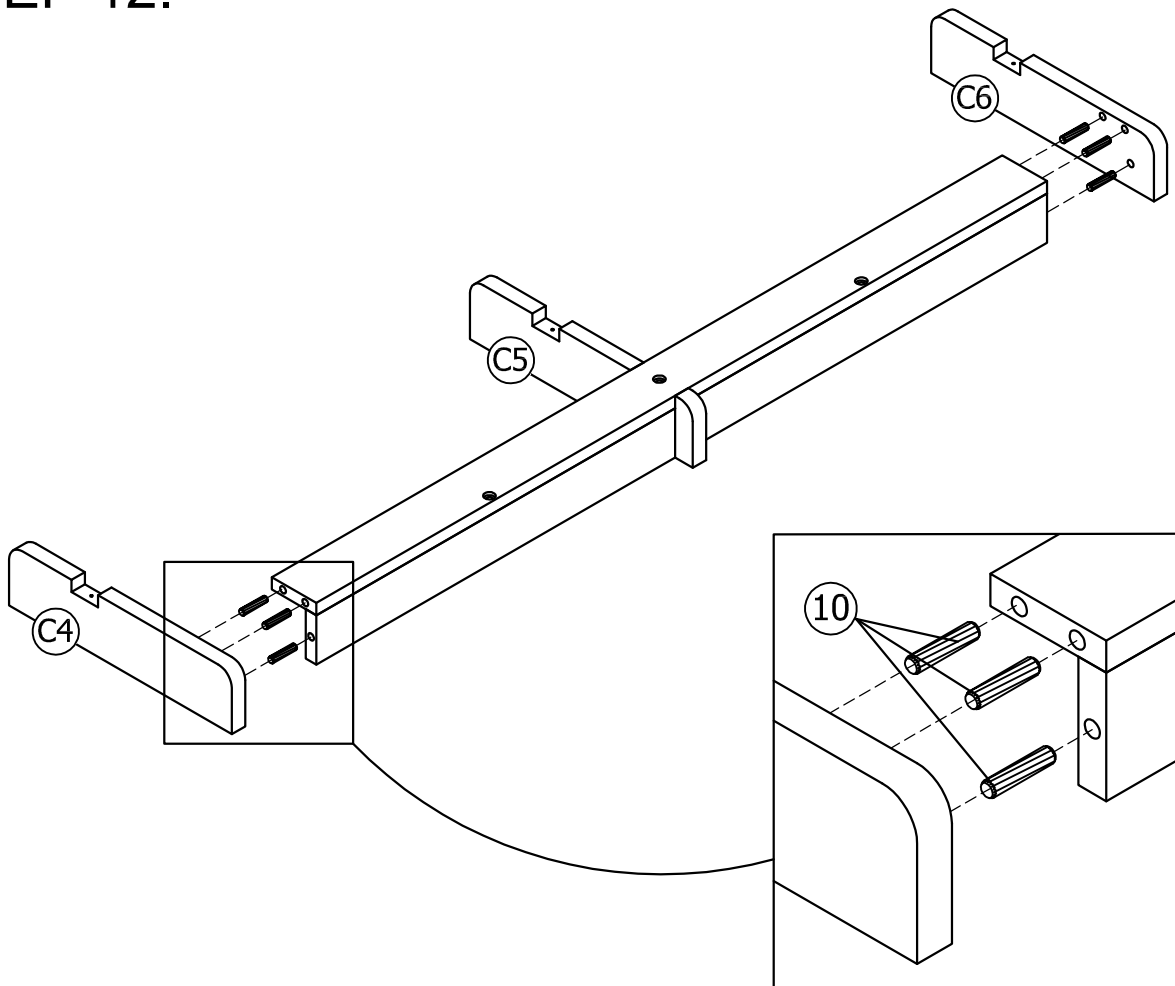
STEP 11:

10	14
	
6(pcs)	3(pcs)



STEP 12:

10

6(pcs)

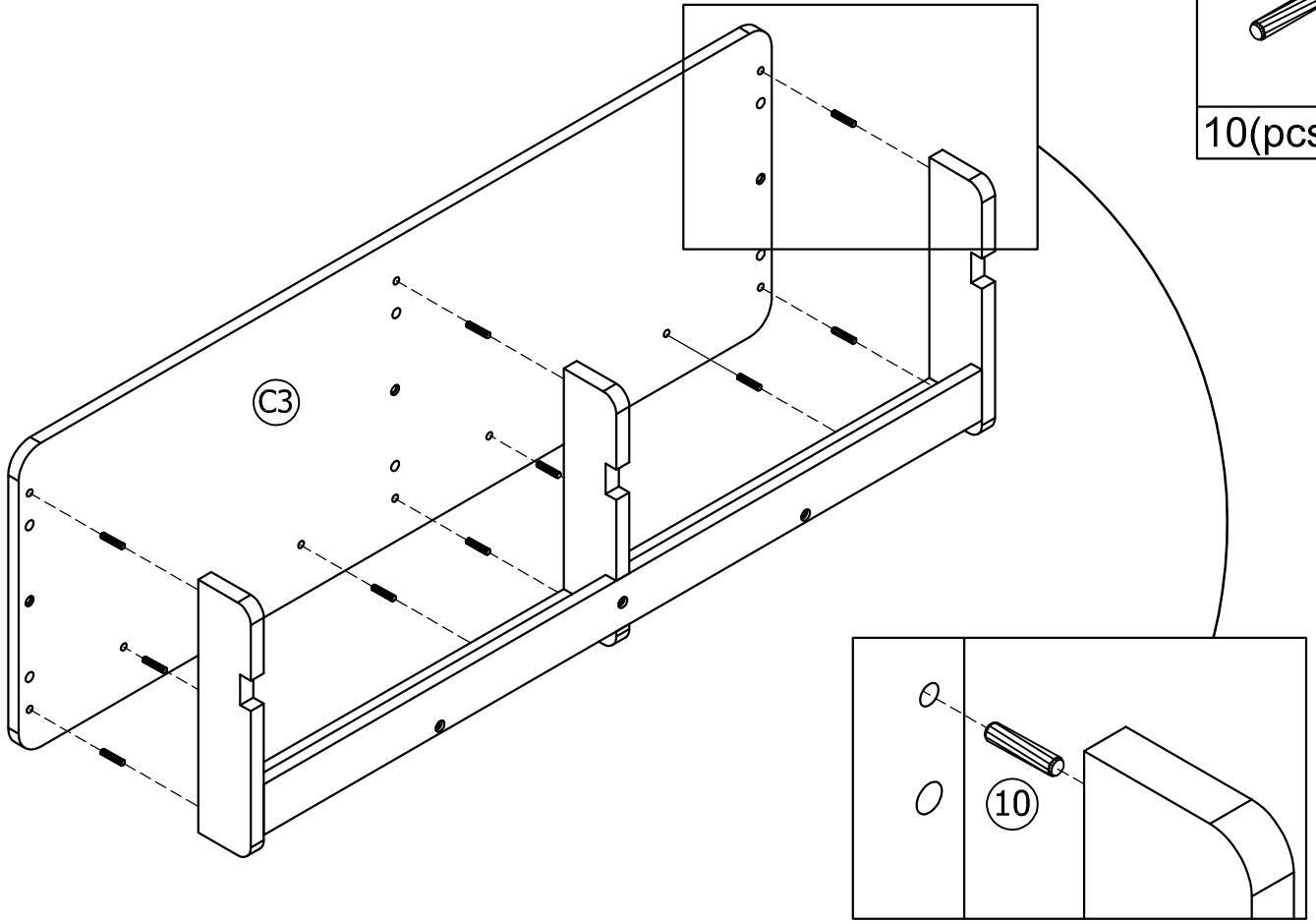


STEP 13:

10



10(pcs)

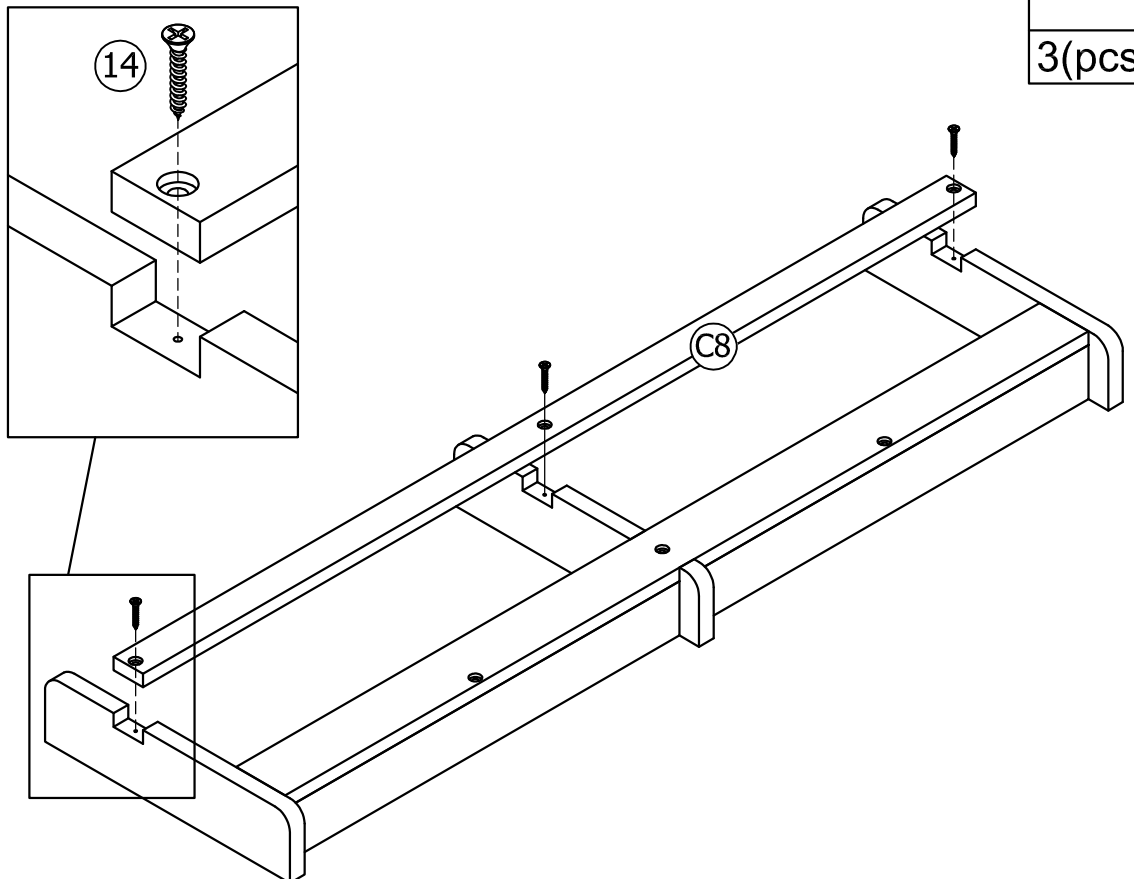


STEP 14:

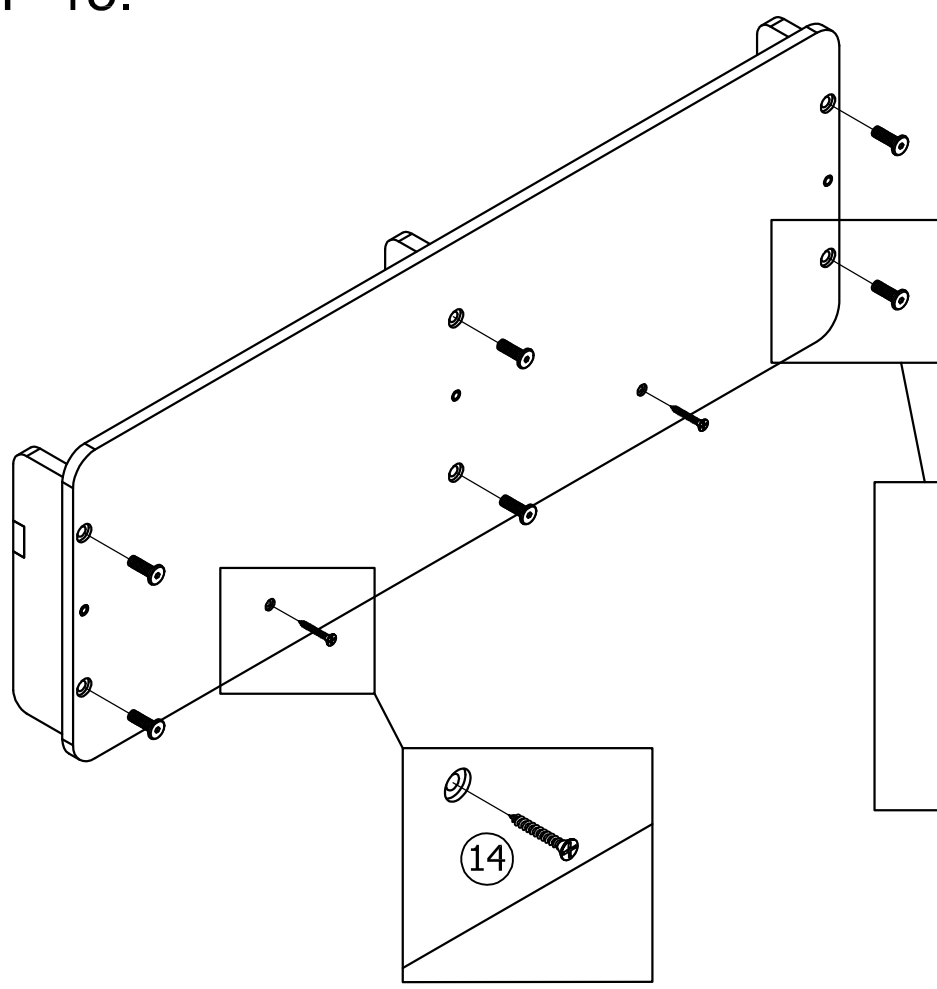
14





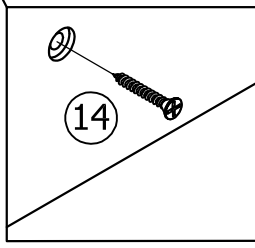
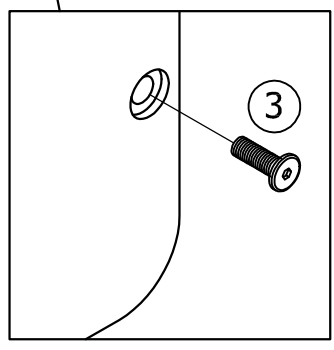
3(pcs)



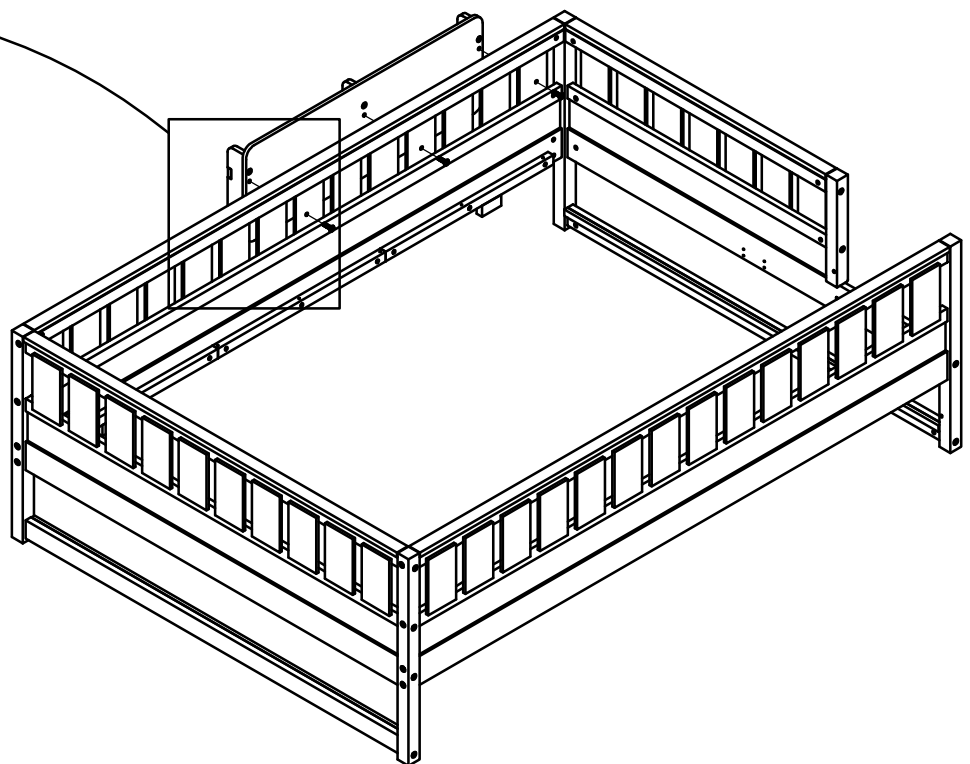
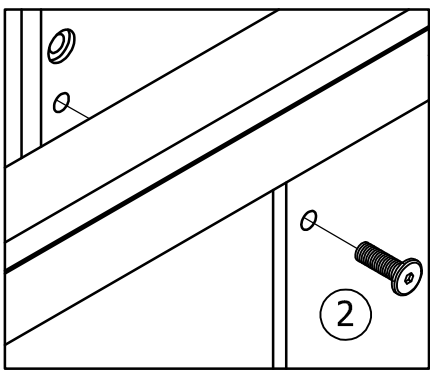
STEP 15:




3	14
	
6(pcs)	2(pcs)

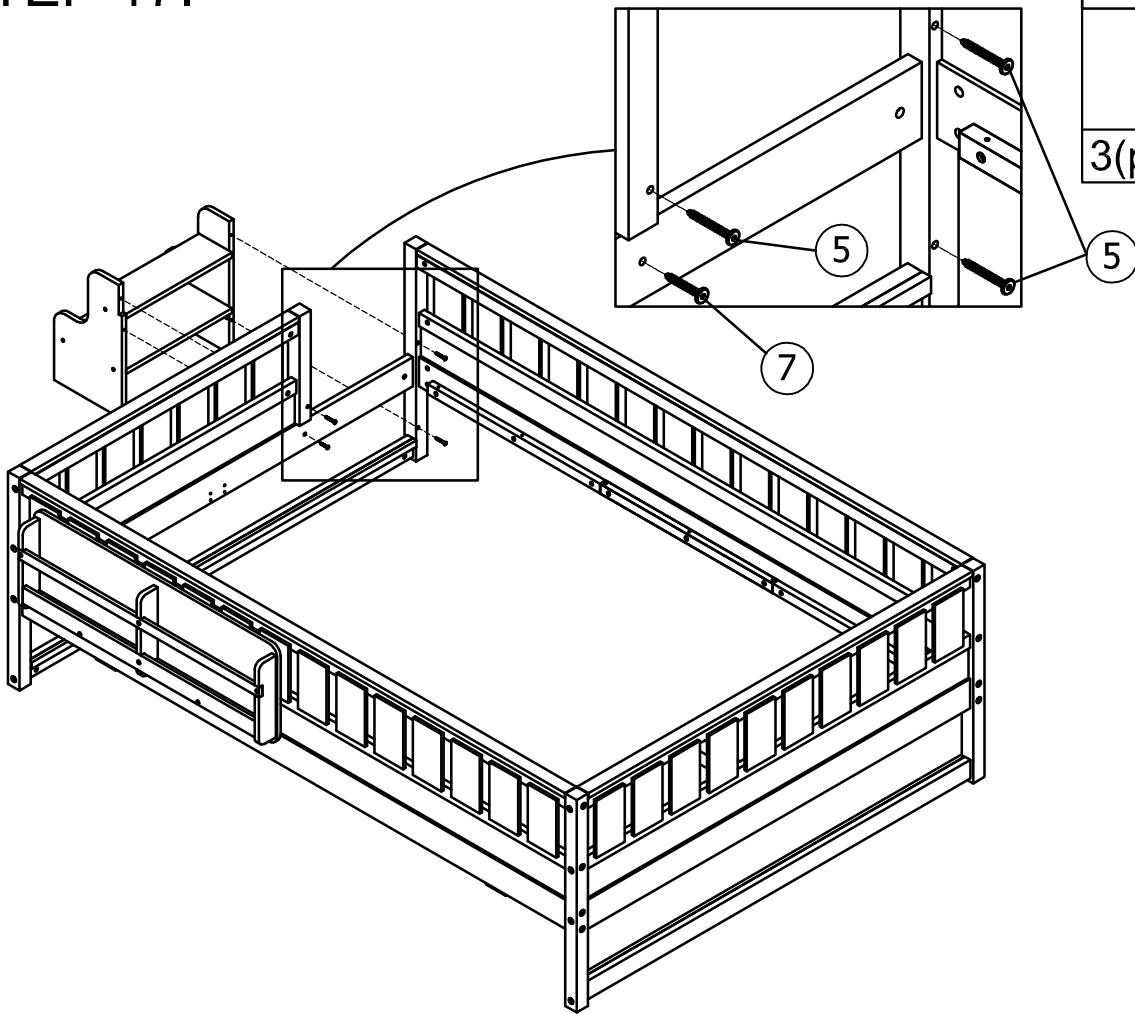




STEP 16:



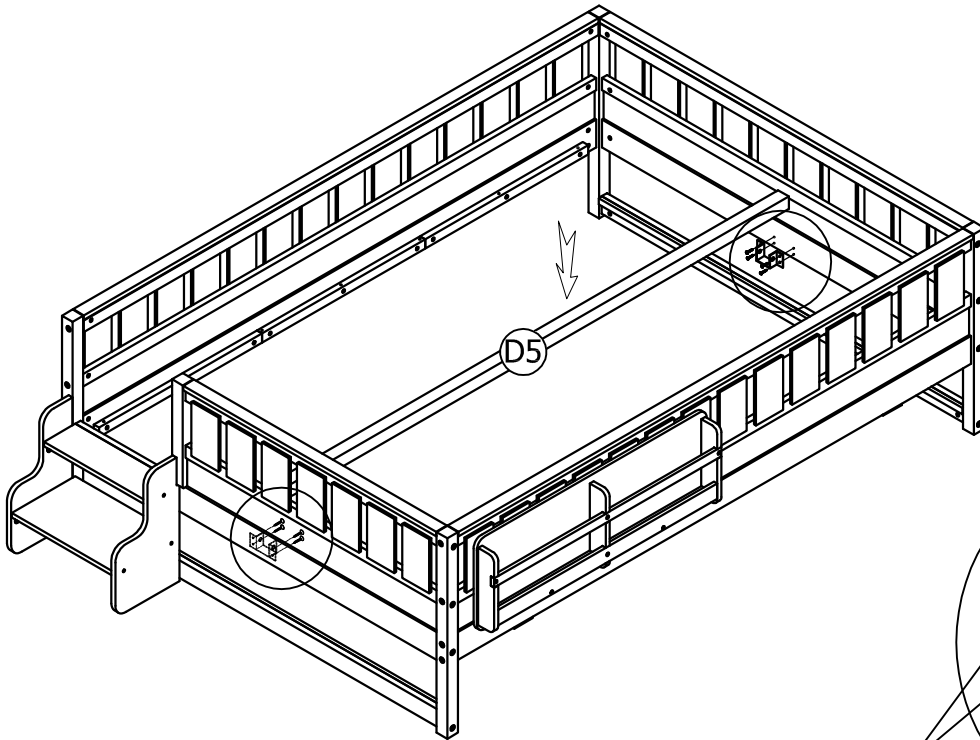
2

3(pcs)



STEP 17:

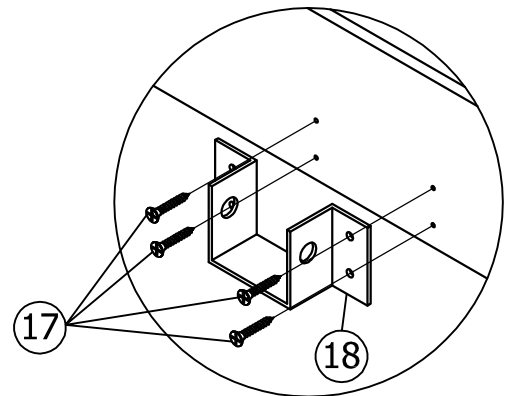


5	7
	
3(pcs)	1(pcs)

STEP 18:

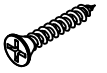


17	18
	
8(pcs)	2(pcs)

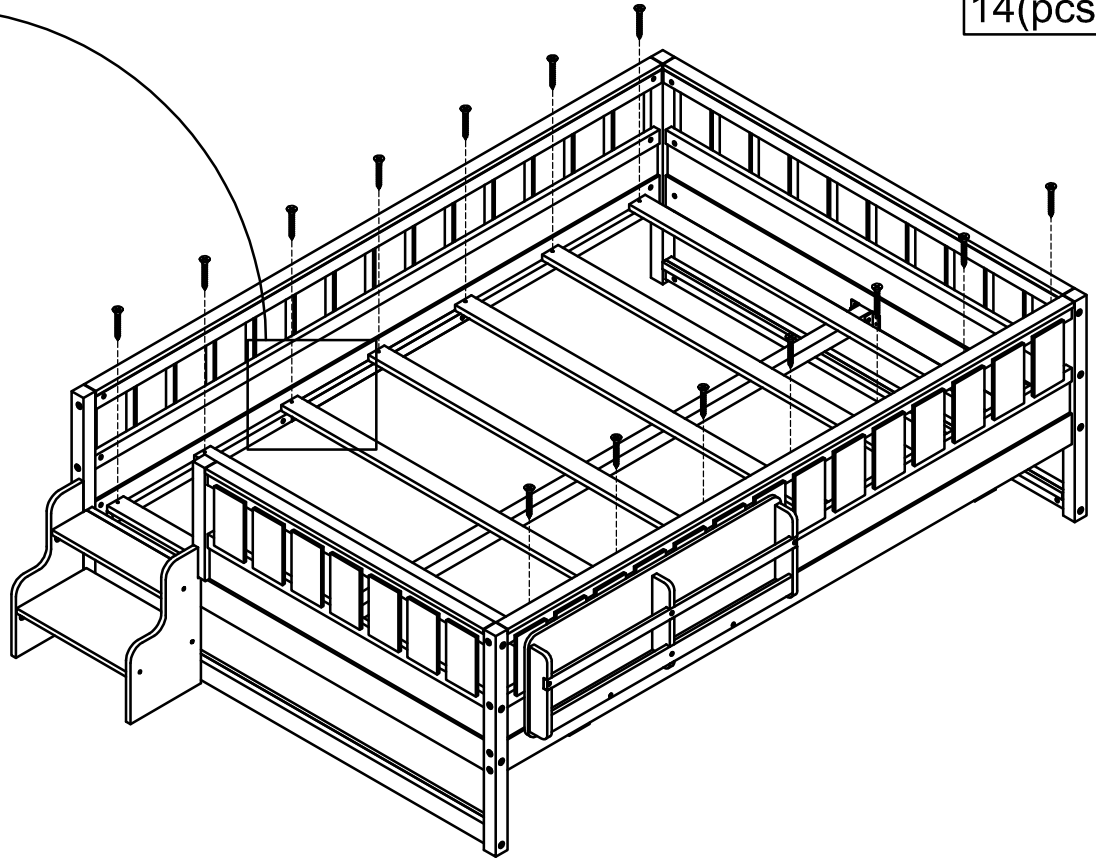
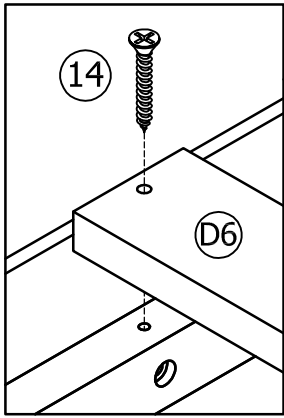


STEP 19:

14

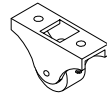


14(pcs)



STEP 20:

13

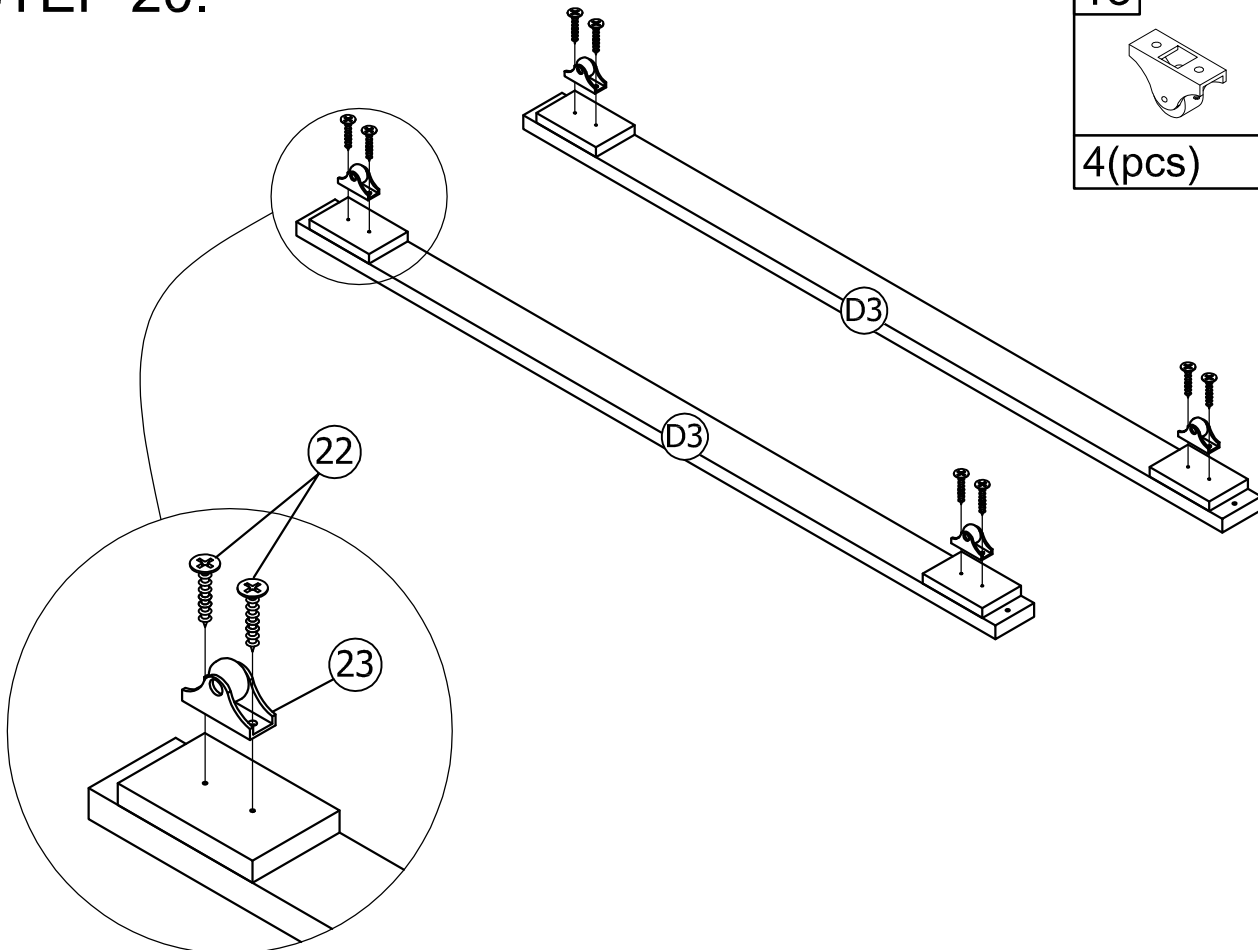


4(pcs)

15



8(pcs)

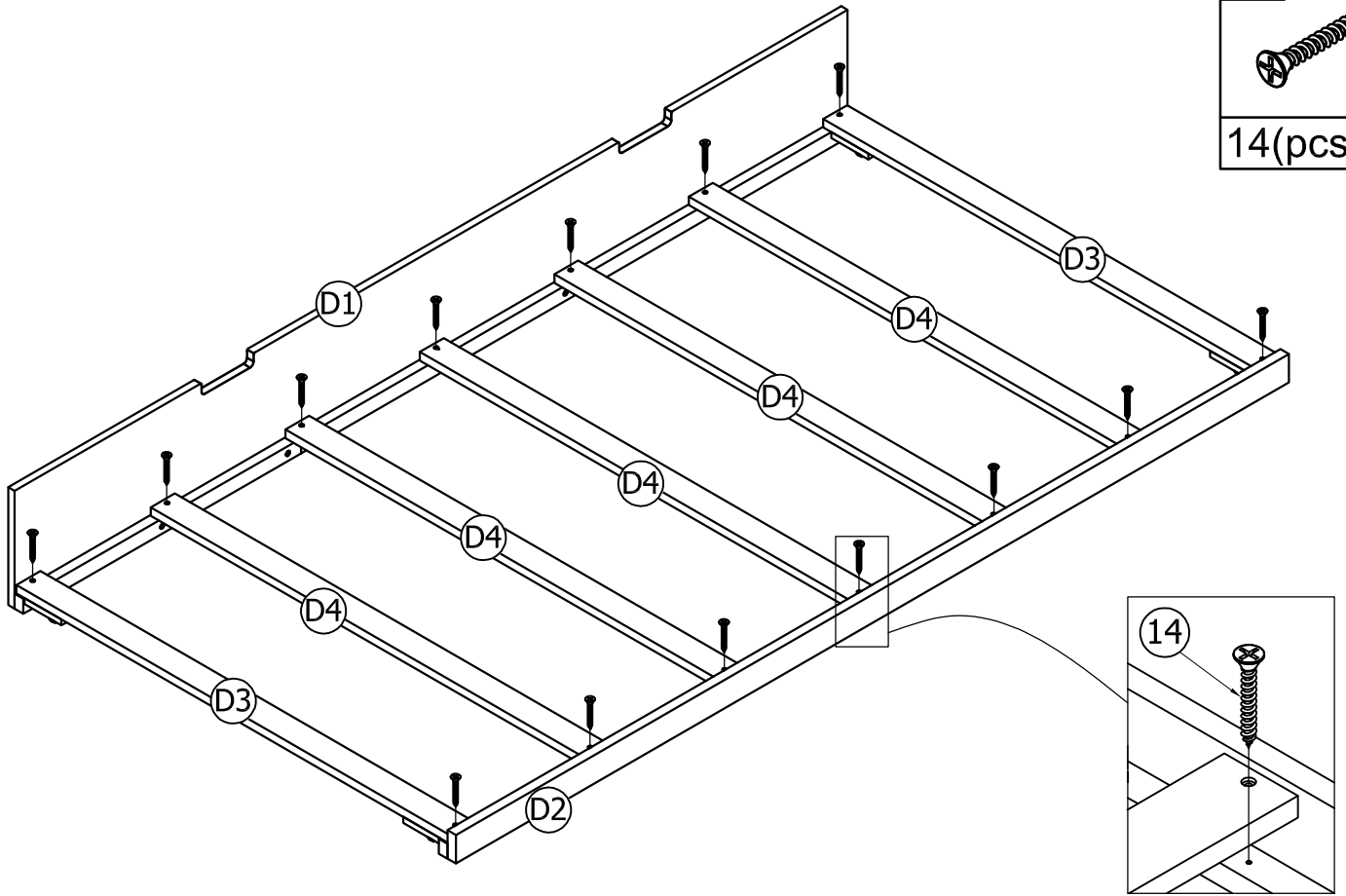


STEP 21:

14

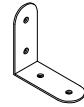


14(pcs)



STEP 22:

12

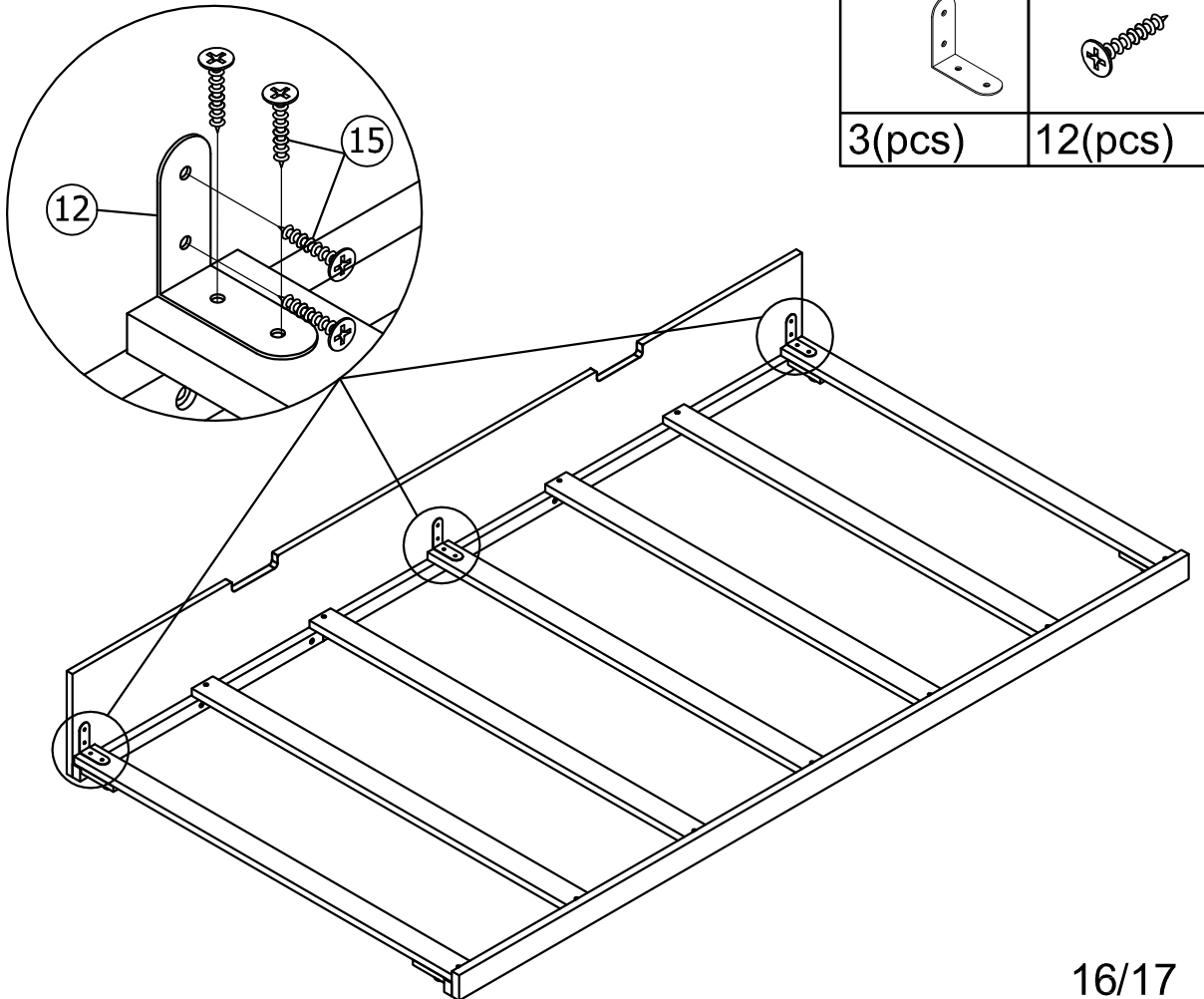


3(pcs)

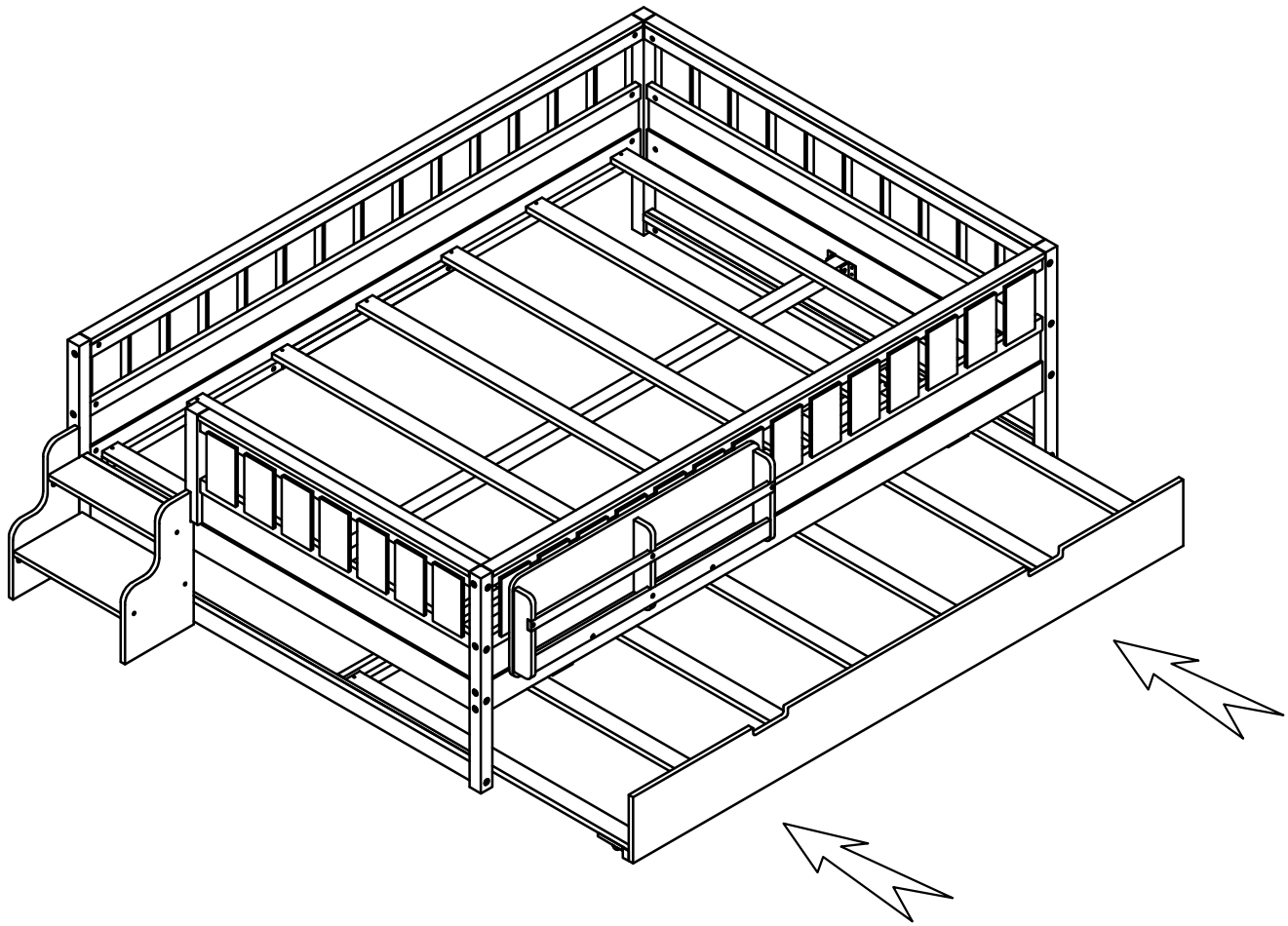
15



12(pcs)



STEP 23:



FINISH:

