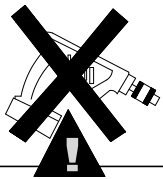
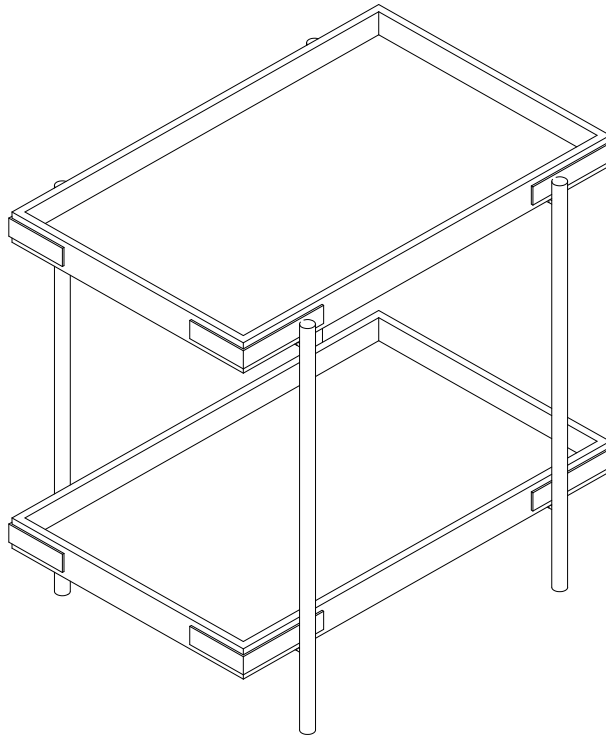
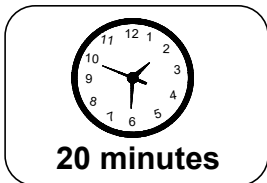
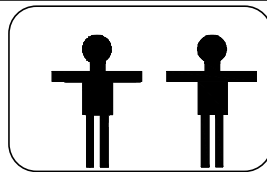


ASSEMBLY INSTRUCTIONS

SIDE TABLE

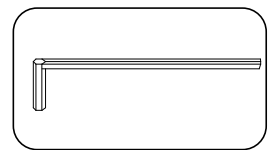


. Use of power tool to assemble this product will invalidate any claim and damage this product making it unsafe!!!
. Please assemble on a clean soft surface to avoid damage.

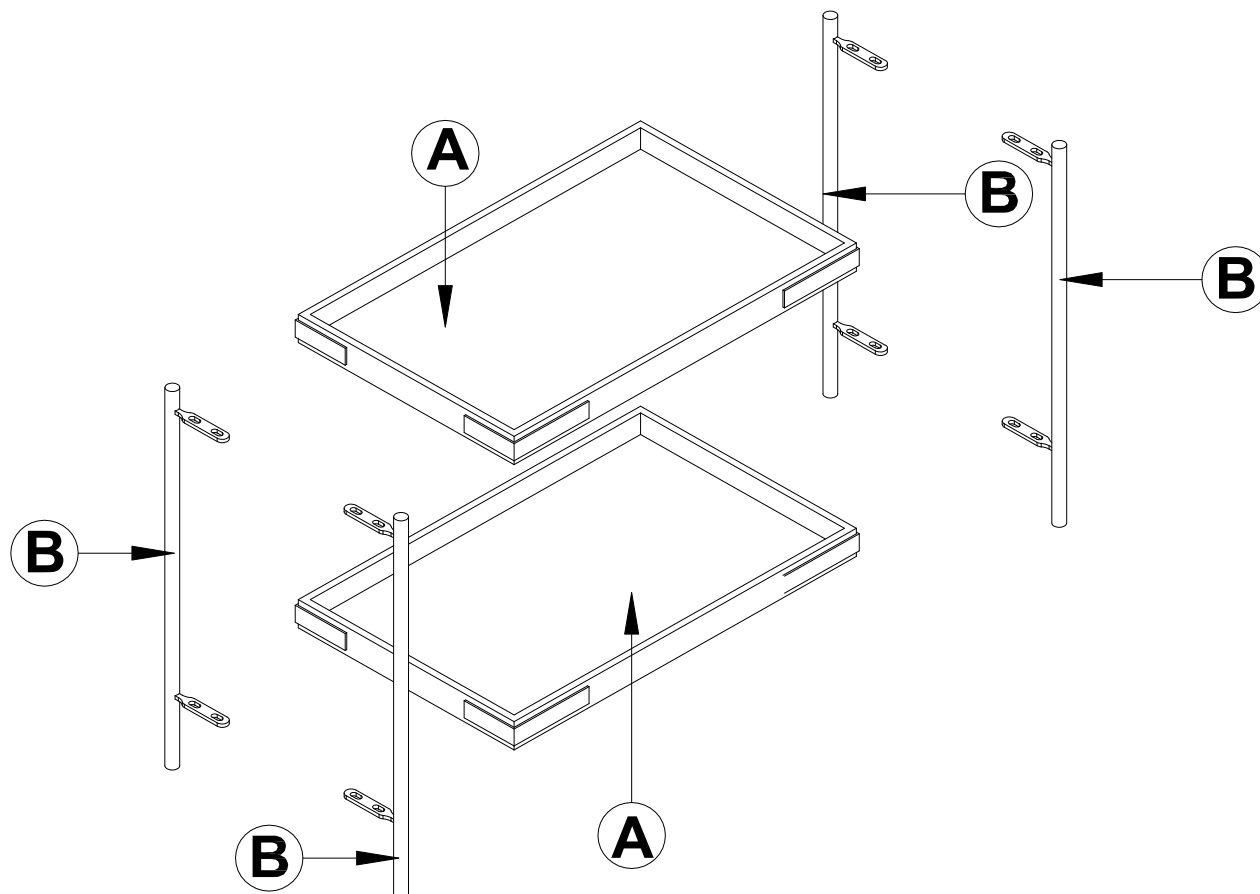


20 minutes

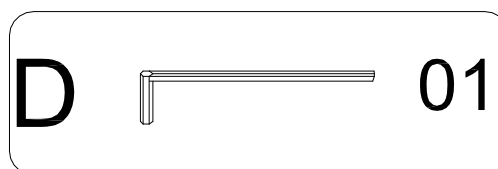
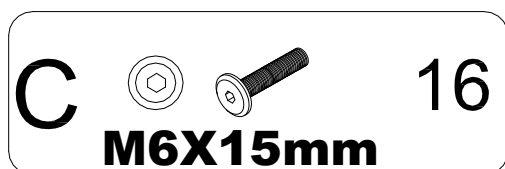
Tool Included




Part List-Side Table




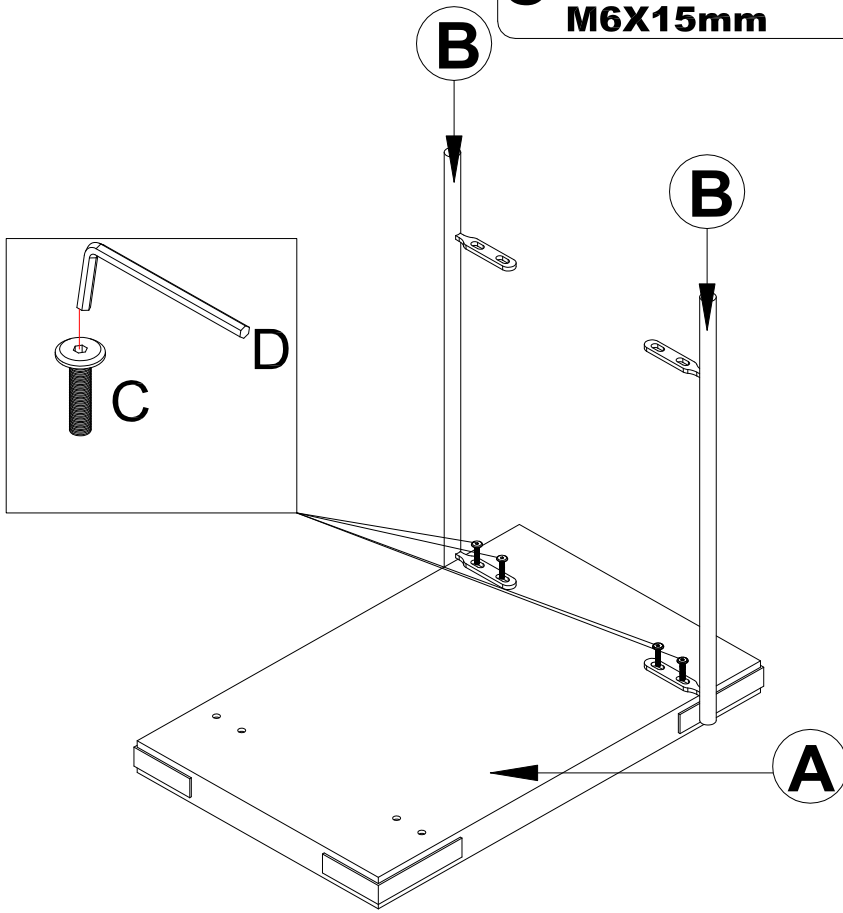
Identifying the hardware-Identify the hardware using the illustrations below.




STEP 1


C  **04**
M6X15mm

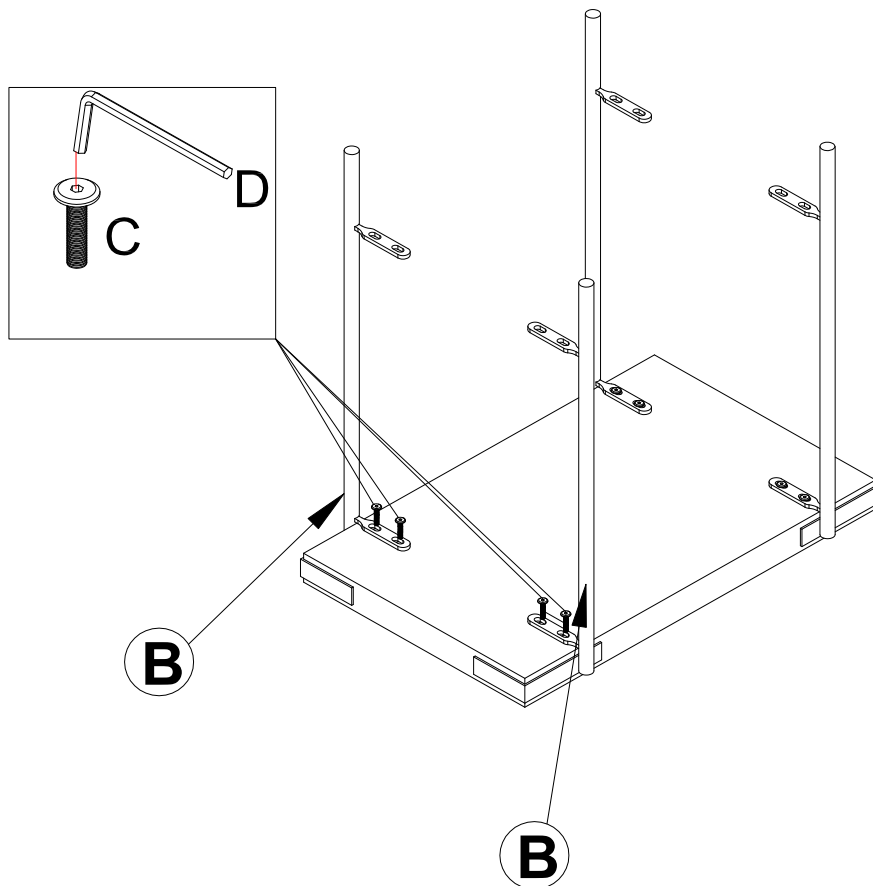
D  **01**



STEP 2

C  **04**
M6X15mm

D  **01**



STEP 3

C  08
M6X15mm

D  01

