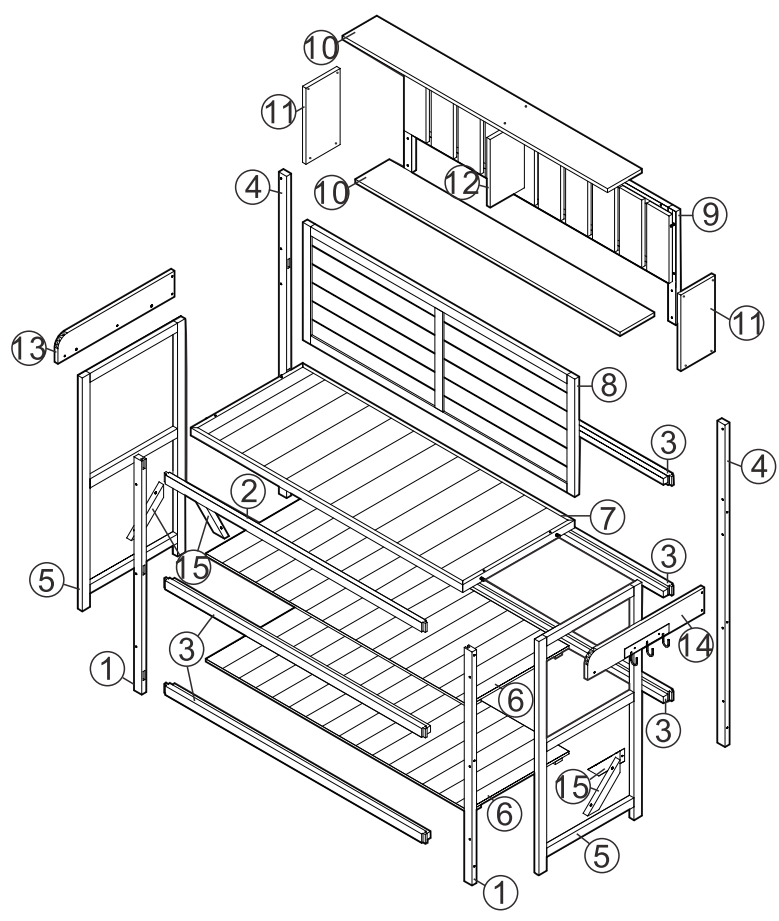


Detail View Vue détaillée

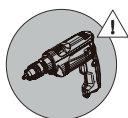


1		2		3		4	
Middle slat of front panel-2pcs		Upper slat of front panel-1pc		Slat of front&back panel-5pcs		Lower slat of back panel-2pcs	
5		6		7		8	
Side panels-2pcs		Shelves -2pcs		Top of table- 1pc		Middel part of back panel-1pc	
9		10		11		12	
Upper part of back panel-1pc		Top&Bottom part of flower stand-2pcs		Side panel of flower stand-2pcs		Left panel of flower stand-1pc	
13		14		15			
Left panel of flower stand-1pc		Right panel of flower stand-1pc		Reinforced wooden strips-4pcs			

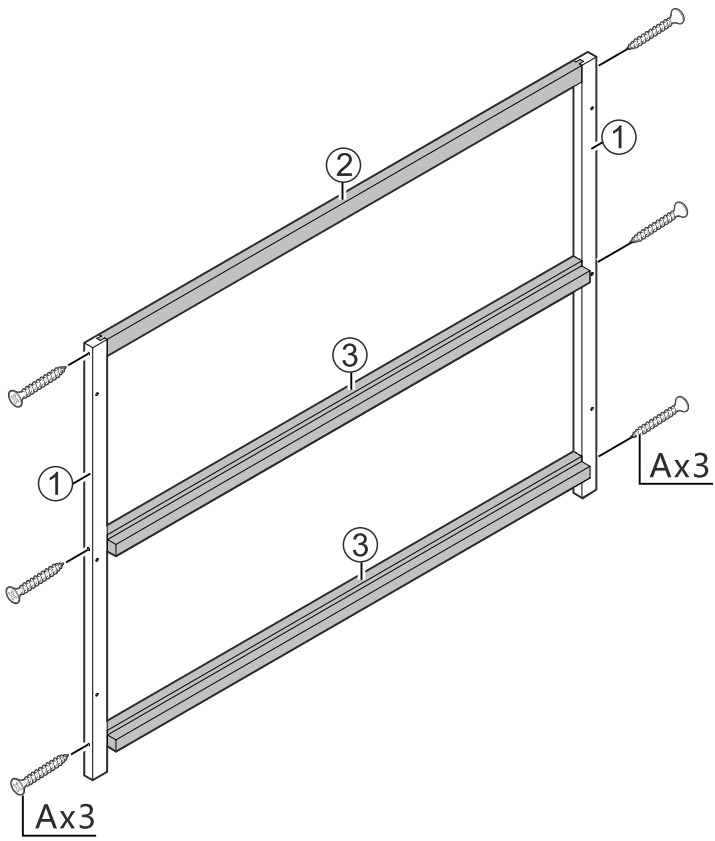
Hardware List Liste du matériel

A		B		C		D	
3.5×60		3.5×50		3.5×40		3.5×35	
Ph zinc screws-12+1pcs		Ph zinc screws-12+1pcs		Ph zinc screws-26+1pcs		Ph zinc screws-8+1pcs	
E		F		G		H	
3.0×30		3.0×28		Wood dowel-4pcs		Hook-1pc	
Ph zinc screws-20+1pcs		Ph zinc screws-2+1pcs					
I		J		K			
Ph zinc screws-4+1pcs		Angle steel-2pcs		Ground nail-2pcs			

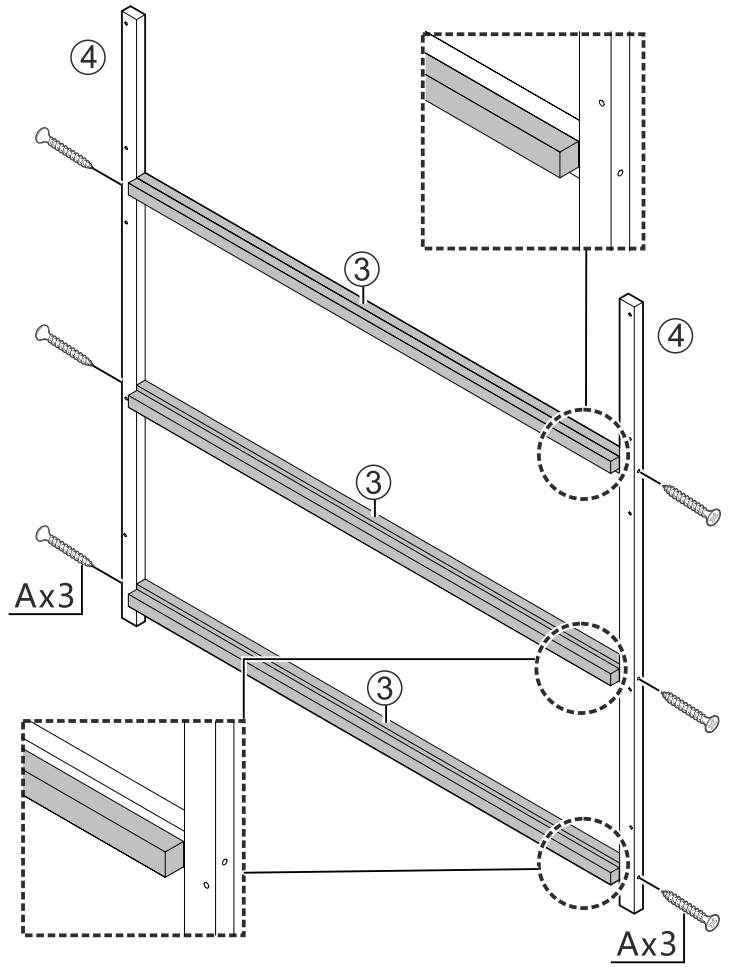
ASSEMBLY TOOLS REQUIRED(NOTINCLUDED)
Outils d'assemblage requis (non inclus)



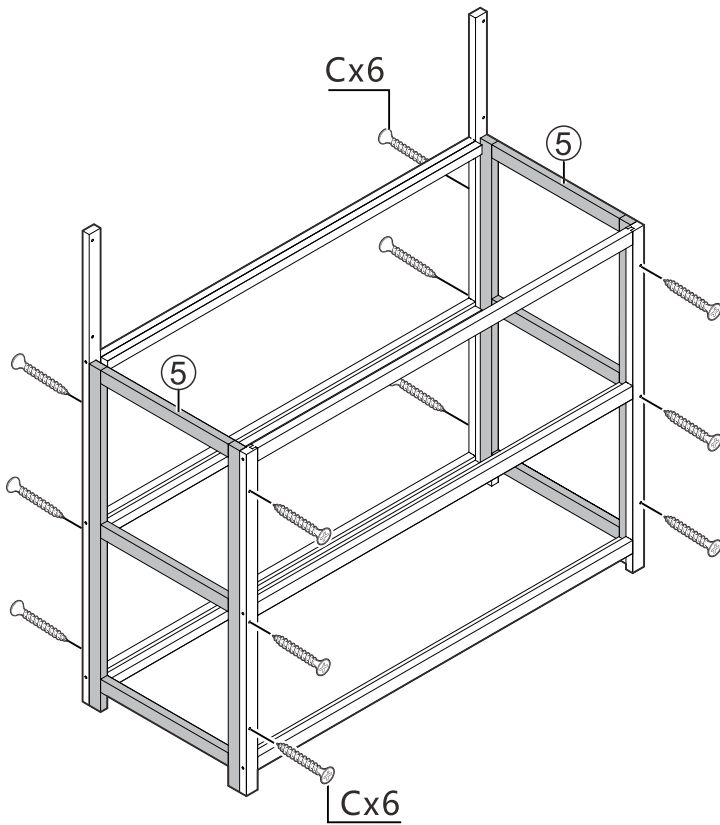
PLEASE BE CAREFUL DO NOT DAMAGE THE HOLE POSITION WHEN YOU USE POWERTOOLS!
Veuillez faire attention à ne pas endommager la position du trou lors de l'utilisation d'outils électriques!



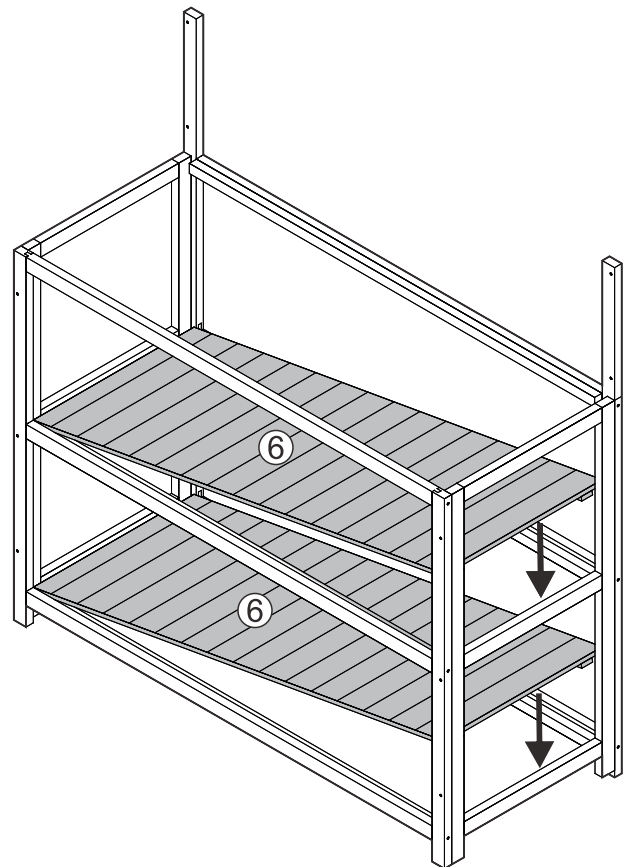
1



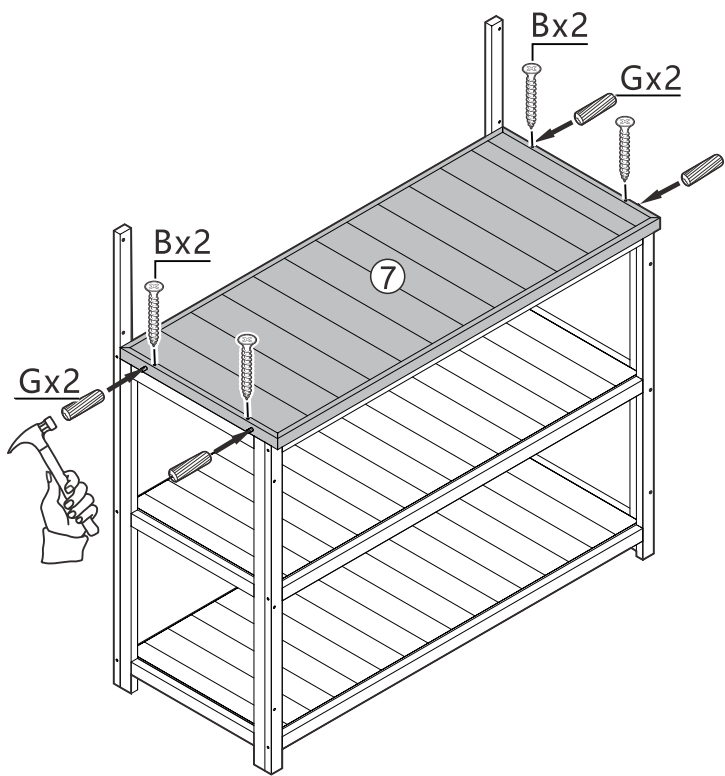
2



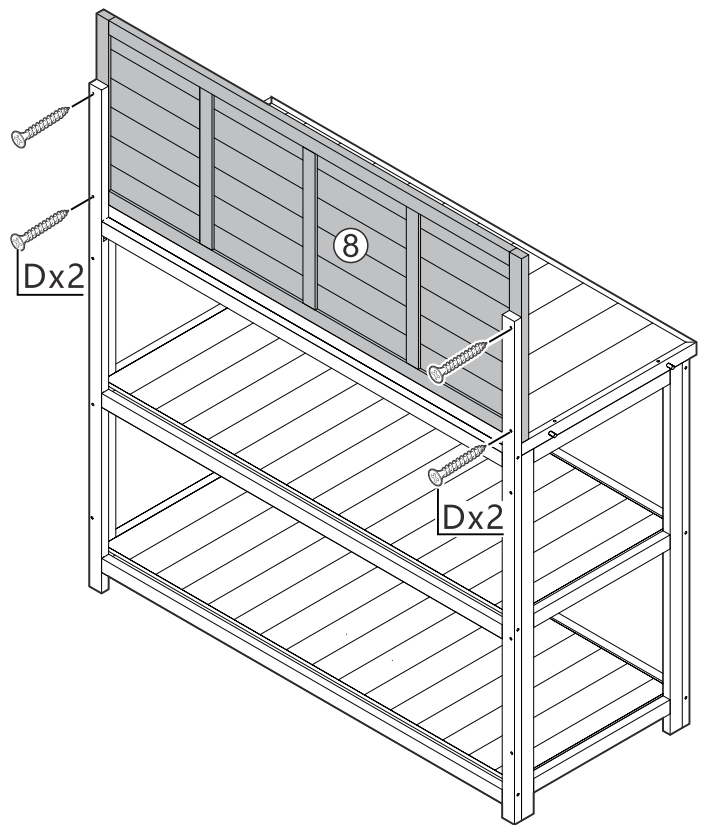
3



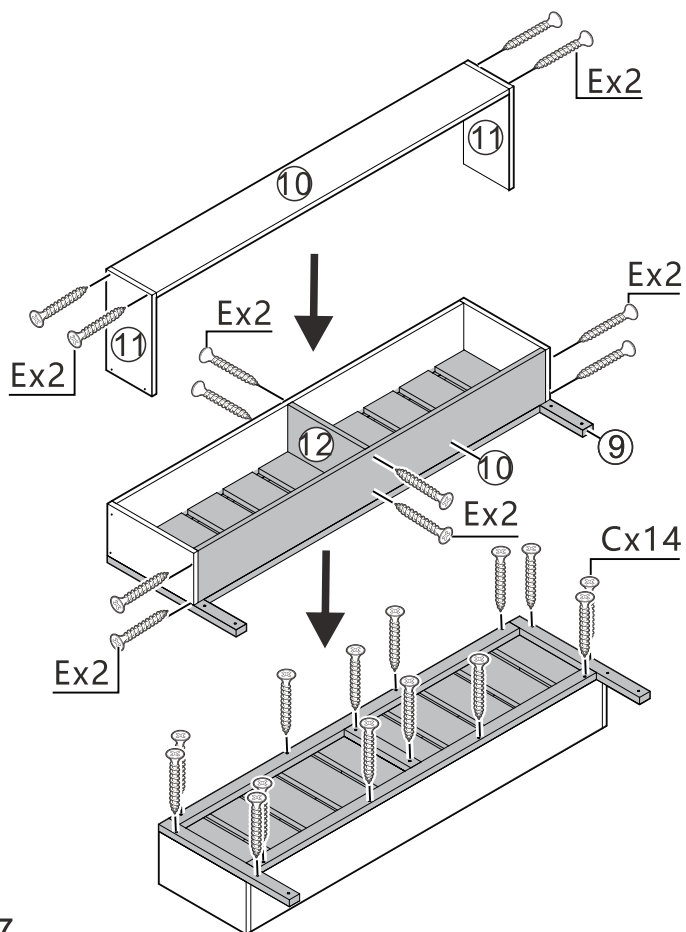
4



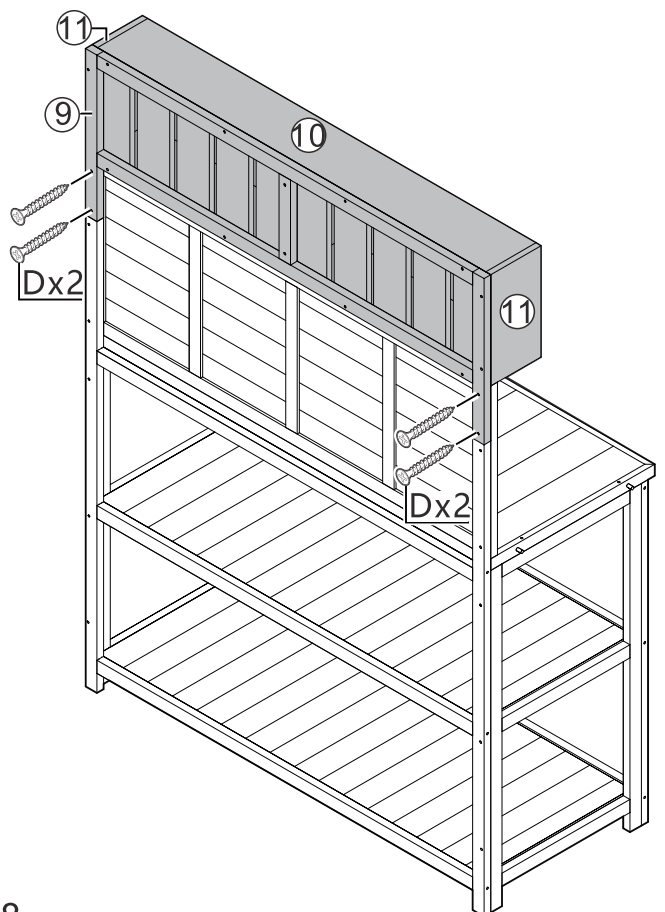
5



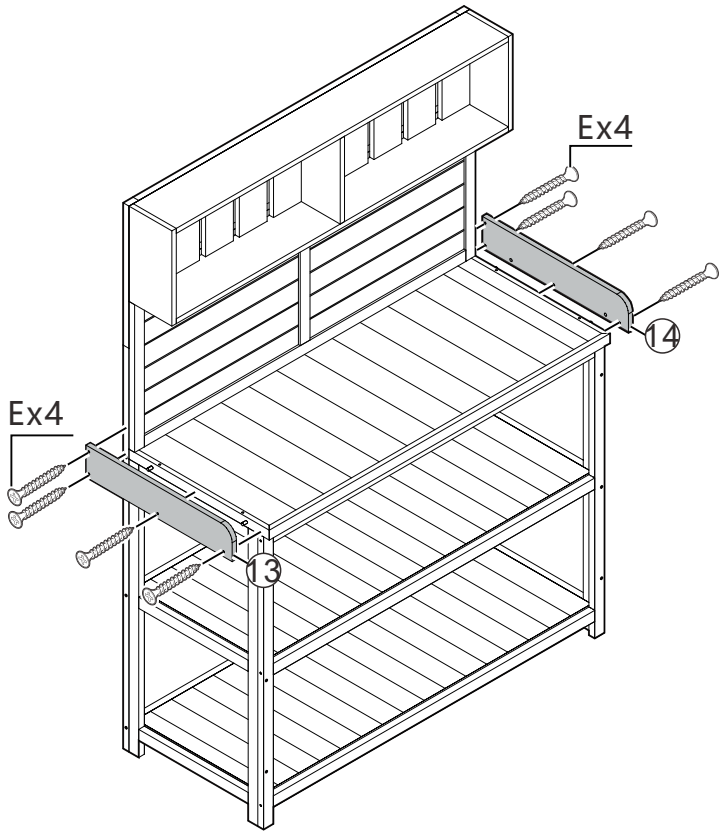
6



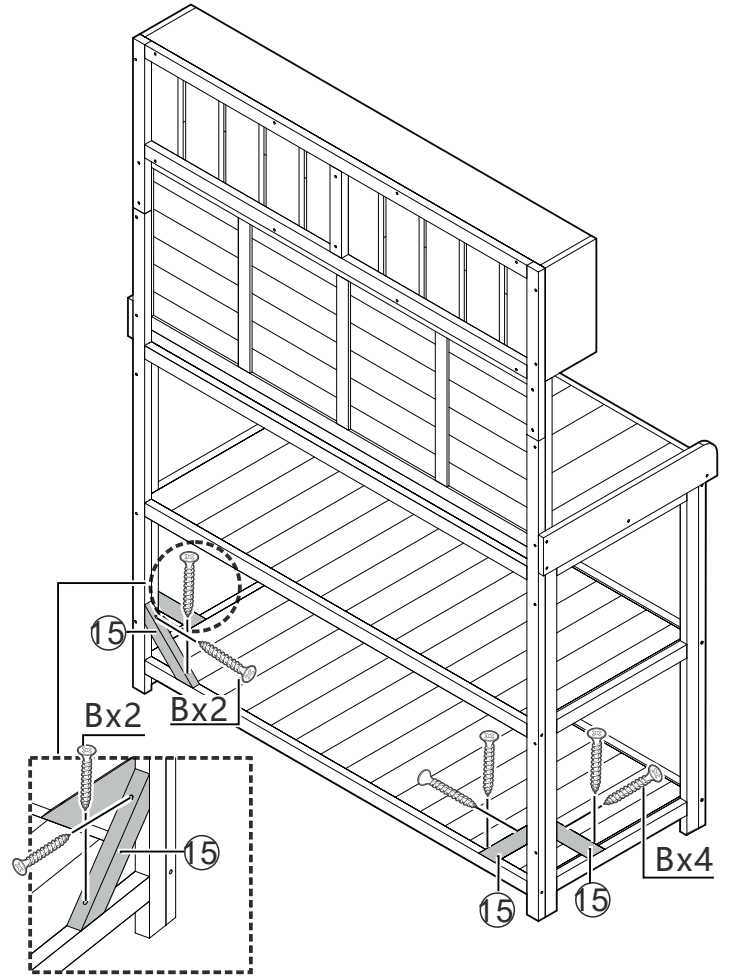
7



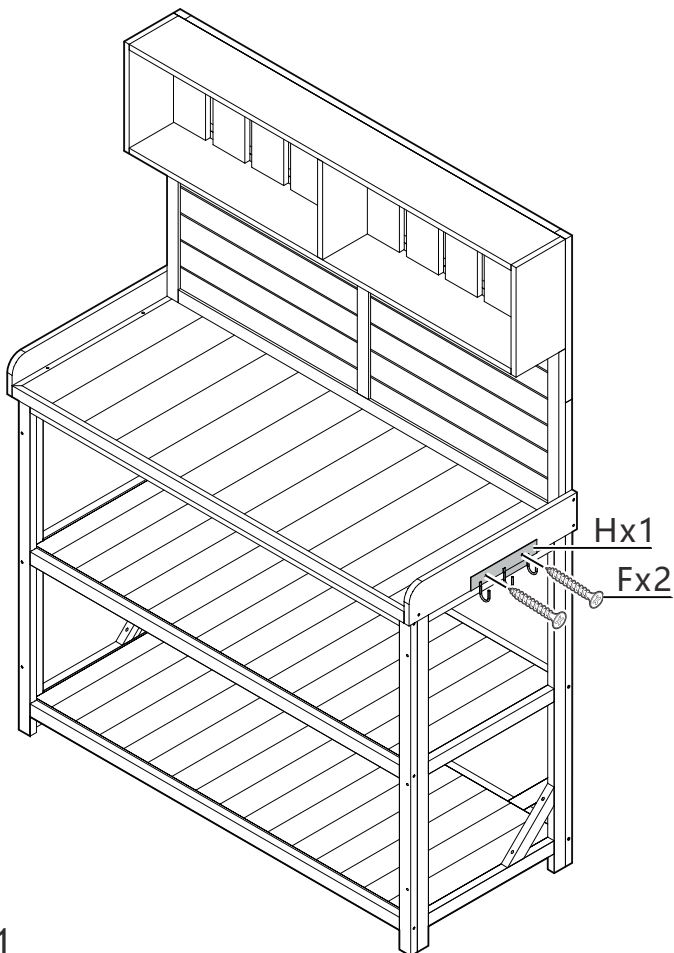
8



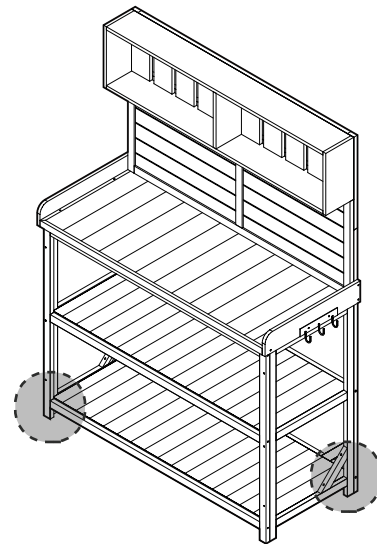
9



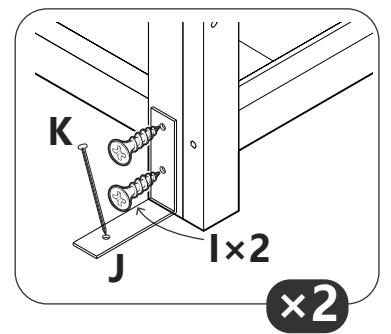
10



11



12



x2