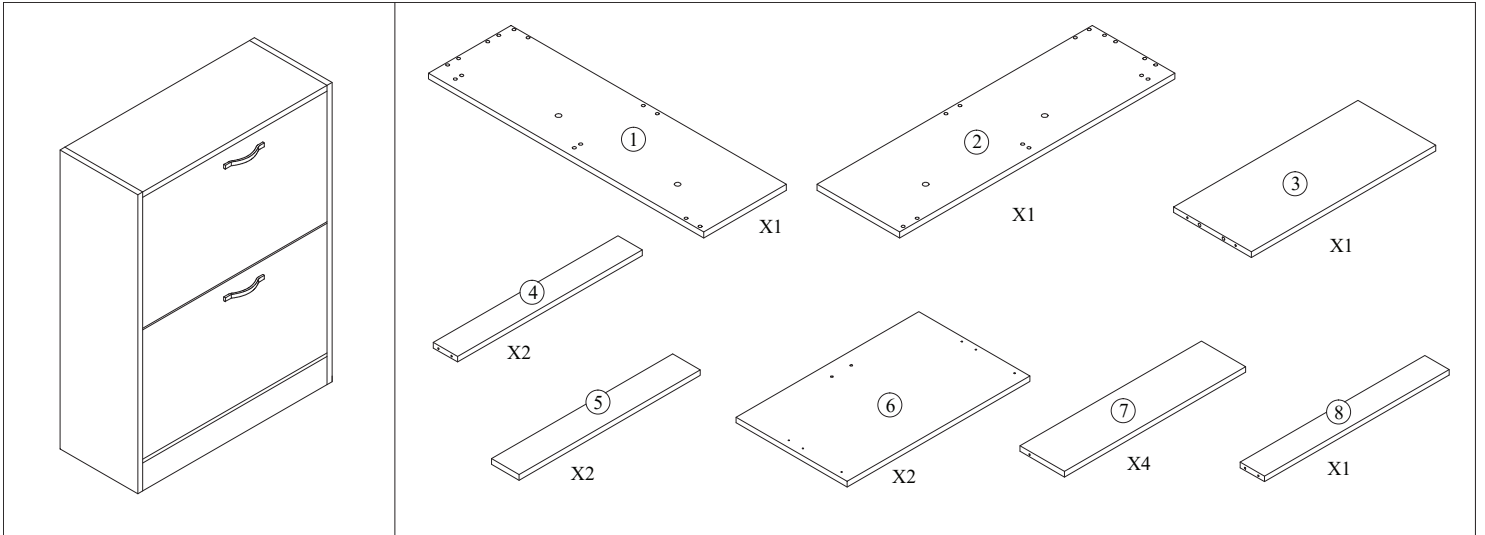
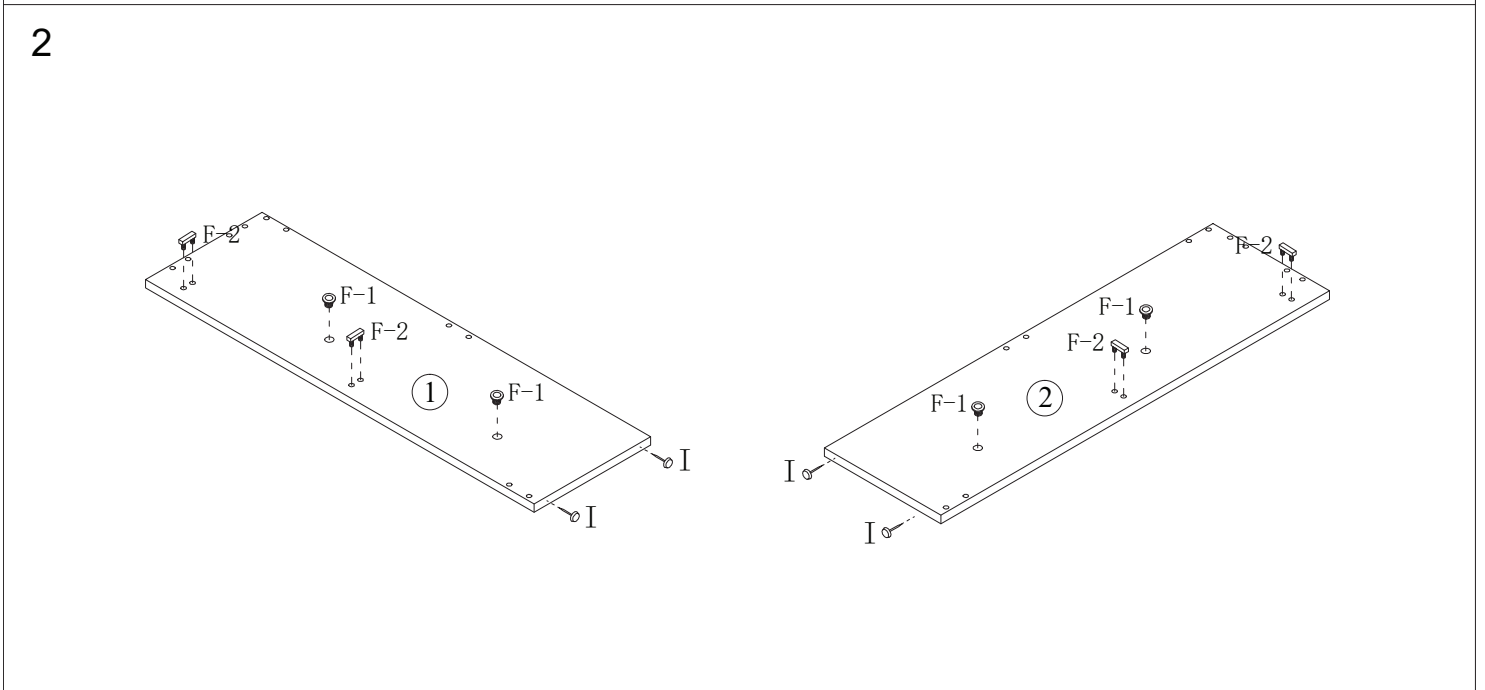
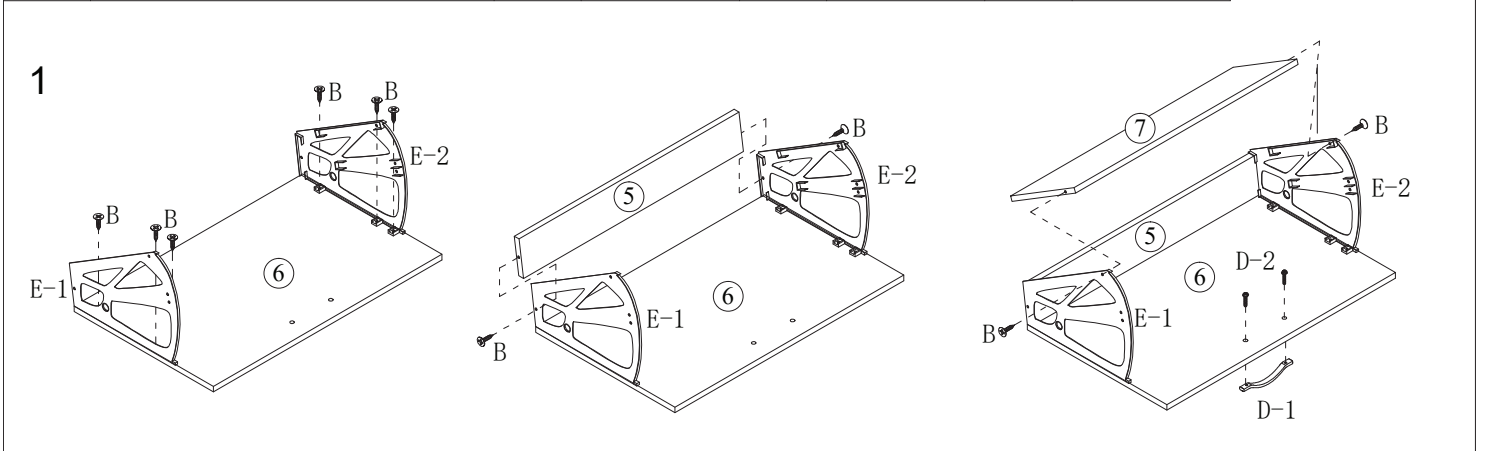


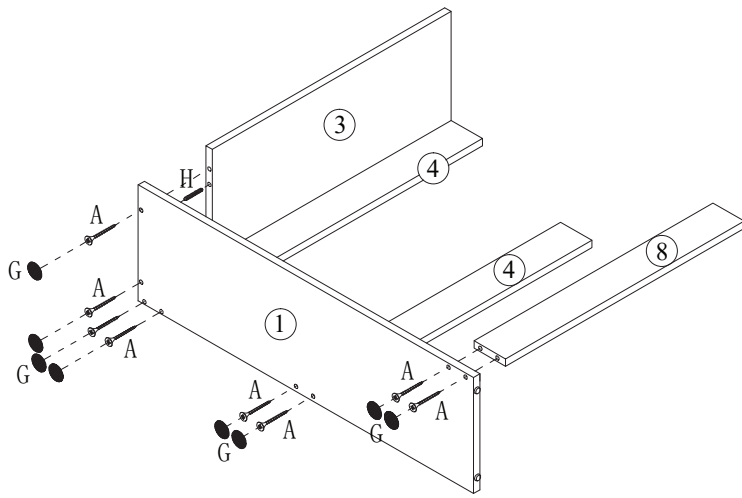
2 Drawer Shoe Cabinet



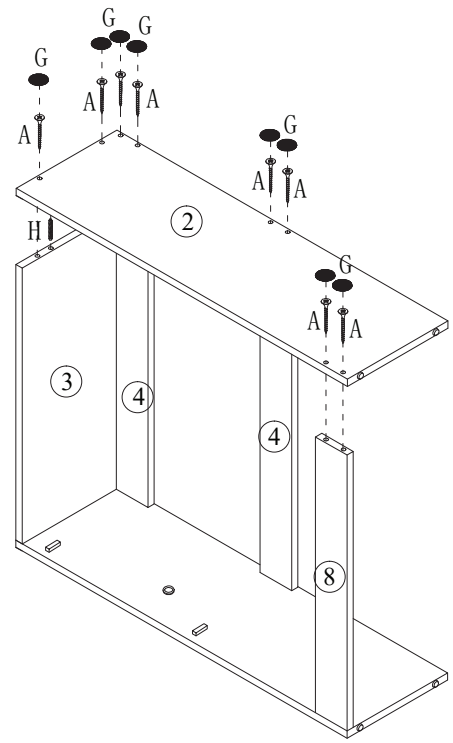
A 16PCS	B 24PCS	C 4PCS	D 2SETS	E 2SETS
F 4SETS	G 16PCS	H 4PCS	I 4PCS	



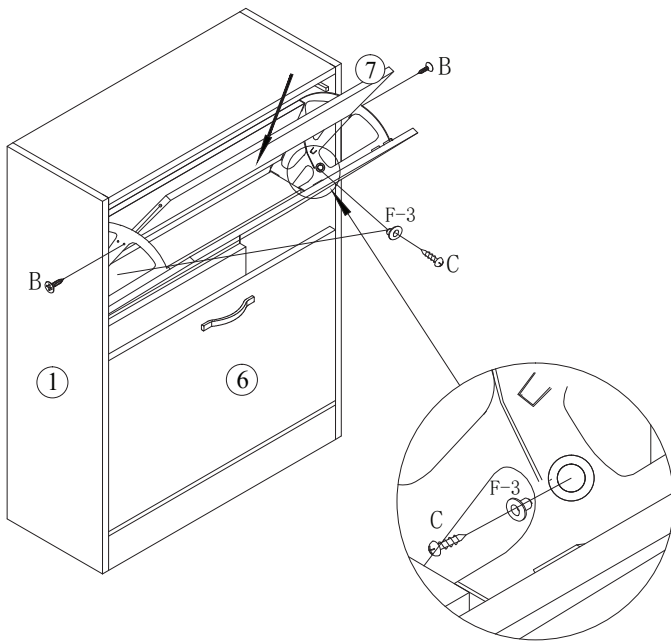
3



4



5



6

