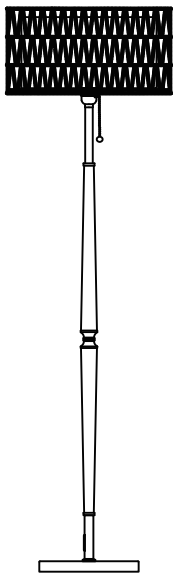


edishinē

Floor Lamp

SKU: HLFL09P

[Instruction Manual]

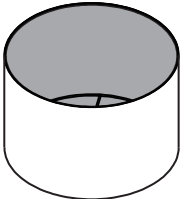




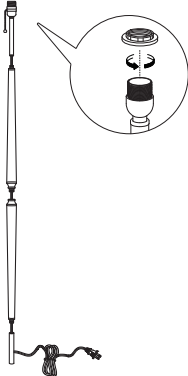
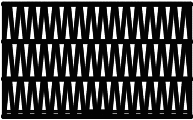
Please pay attention to the warning signs
Read the instructions with caution before operating
and keep it properly

CAUTION:

1. Before assembly, place all parts on a clean flat surface and check each part for defects that may occur during shipping.
2. Inspect wire insulation for any cuts, abrasions or exposed copper that may have resulted from shipping. If there are any defects in the wire, DO NOT continue assembling. Please send an email to our Customer Service immediately.
3. Consult a qualified electrician if you have any electrical questions.
4. Never drape clothes over the lamp.
5. To reduce the possibility of tipping over, we recommend placing the lamp behind furniture and keep children and pets away.
6. To prevent children from suffocating and choking, keep them away from packing materials.
7. Please keep this manual and hand it over when you transfer the product.

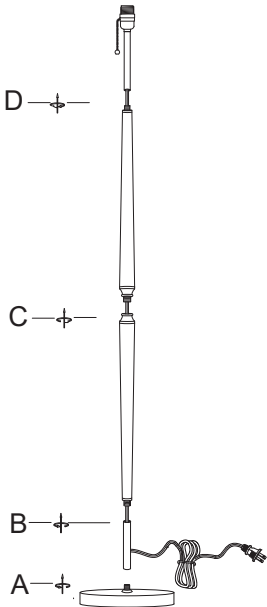
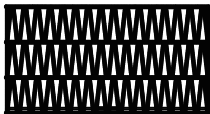
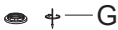
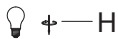
Packing List:

Part Number	Part Drawing	Part Describe	Quantity
①		Lamp Shade	1

②		Socket Ring	1
③		Base	1
④		Floor Lamp	1
⑤		Rattan lampshade	1

ASSEMBLY INSTRUCTIONS

Before assembly, check the packing listing to make sure all parts are present;



1. Screw the bottom section of the lamp pole onto the base clockwise (A) until it is tightened.
2. Tighten the lamp pole clockwise from bottom to top (B, C, D)
3. Unscrew the socket ring and place the lampshade on the socket (E)
4. Place the rattan lampshade on the socket (F)
5. Tighten the socket ring to secure the lampshade and rattan lampshade (G)
6. Screw the bulb into the socket to install (H)

Specifications

- Product Height: 63.4 IN
- Base Diameter: 9.8 IN.
- Materials: Metal,Linen,Wood,Rattan
- Input Voltage: 120VAC 60Hz
- Max. Load Power: Incandescent Bulb 60W or LED Bulb 12W
- Socket Type: Standard Medium E26

One Year Limited Warranty

Supported by our professional R&D team and QC team, we provide One Year Warranty for materials and workmanship from the purchase date. Please note that the warranty does not cover damage caused by personal misuse or improper installation.

Please attach your Order ID and Name so that our dedicated customer service team can help you better.