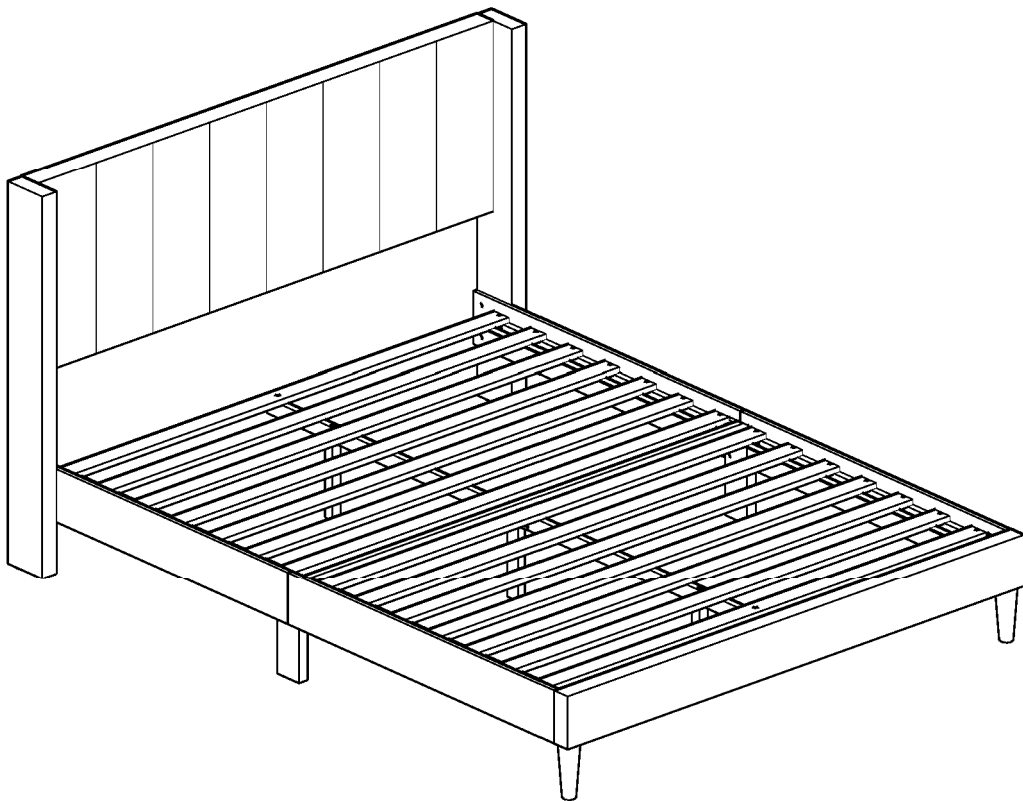


BED

Assembly Manual

KJW.B004



 **CAUTION**

THIS ASSEMBLY MANUAL CONTAINS IMPORTANT SAFETY INFORMATION.

PLEASE READ AND KEEP FOR FUTURE REFERENCE.

ASSEMBLY INSTRUCTIONS

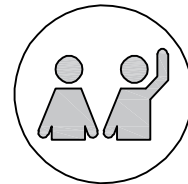
Read these instructions carefully and keep for future reference. Refer to parts inventory for guidance, and ensure you have all pieces before starting.

When assembling, place all parts on a soft, clean, and flat surface such as a carpet to prevent scratches.

! Structural integrity is only guaranteed if all bolts are installed and properly tightened.



TIME



2 OF PEOPLE

!

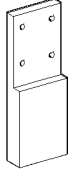

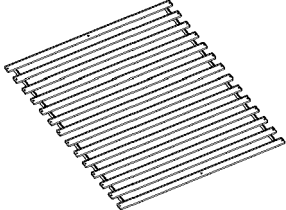
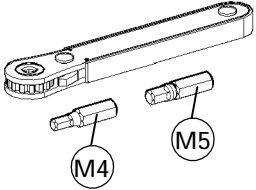
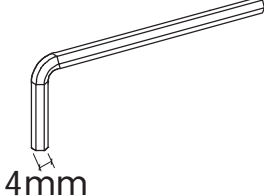
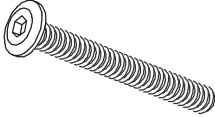




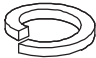

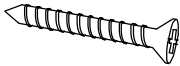
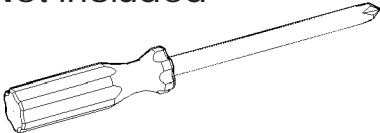
PLACE THE HEADBOARD AGAINST THE WALL

!

DO NOT DRAG BED, ALWAYS LIFT WITH AT LEAST TWO PEOPLE BEFORE MOVING

<p>1. HEADBOARD ×1</p>	<p>2. HEADBOARD WING (LEFT) ×1</p>	<p>3. HEADBOARD WING (RIGHT) ×1</p>
<p>4. FOOTBOARD ×1</p>	<p>5. SIDE RAIL (LEFT) ×2</p>	<p>6. SIDE RAIL (RIGHT) ×2</p>
<p>7. METAL CENTER RAIL ×1</p>	<p>8. METAL CENTER SUPPORT ×1</p>	<p>9. METAL CENTER LEG ×2</p>

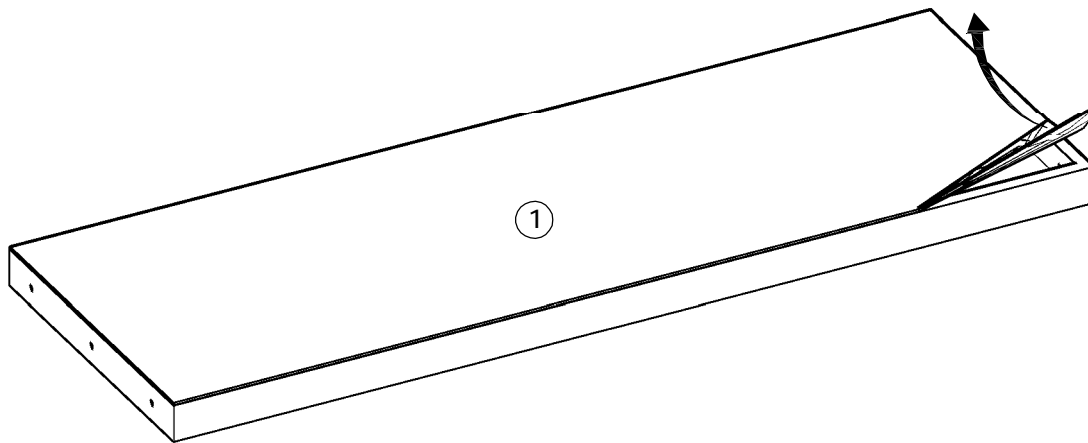
Please read through the instructions below to familiarize yourself with the parts and steps before assembly.

<p>10. SIDE RAIL LEG ×2</p> 	<p>11. BED LEG ×2</p> 	<p>12. SLATS ×7 (2 Set)</p> 
<p>A. RATCHET TOOL ×1</p> 	<p>B. M4 ALLEN KEY ×1</p>  <p>4mm</p>	<p>C. JCBB BOLT M8 X 70MM (BLACK) ×3</p> 
<p>D. JCBC BOLT M6 X 45MM ×6</p> 	<p>E. JCBC BOLT M6 X 35MM ×6</p> 	<p>F. JCBC BOLT M6 X 25MM ×10</p> 
<p>G. JCBC BOLT M6 X 16MM (BLACK) ×4</p> 	<p>H. M6 SPRING WASHER ×12</p> 	<p>I. M6 FLAT WASHER ×12</p> 
<p>J. WOOD SCREW M4 X 30MM ×28</p> 	<p>Not Included</p>  <p>Phillips Head Screwdriver</p>	

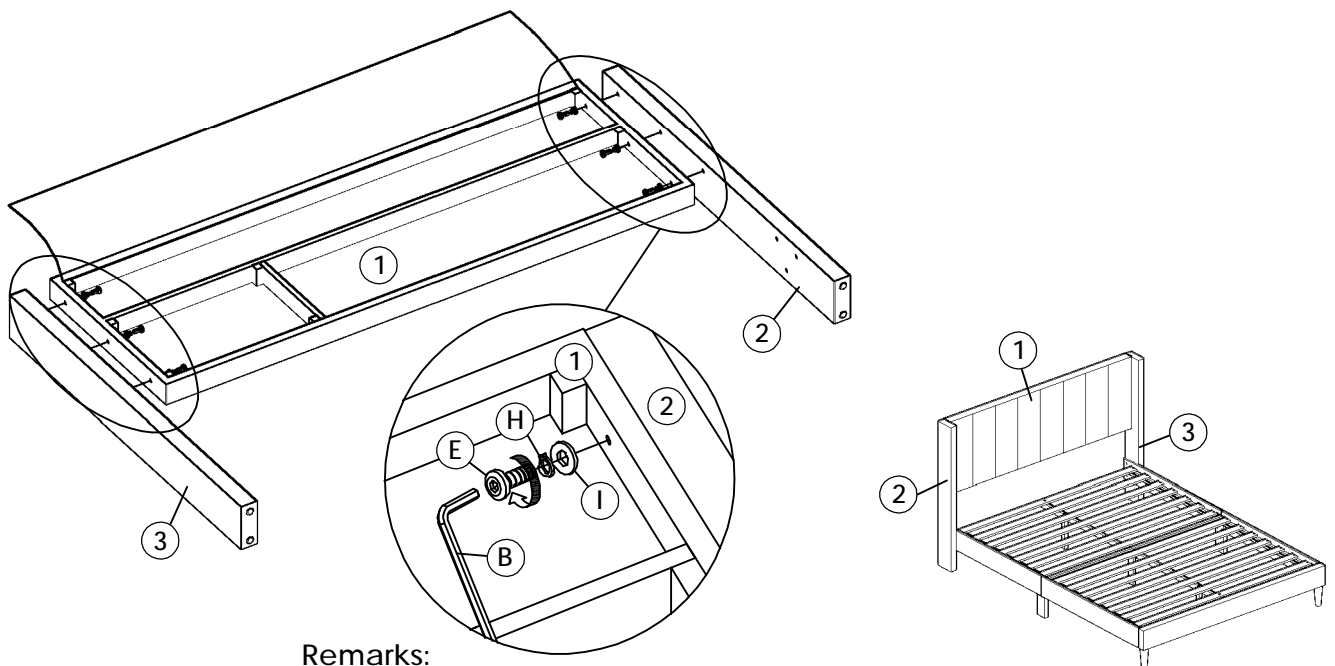
Please read through the instructions below to familiarize yourself with the parts and steps before assembly.

ASSEMBLY INSTRUCTIONS

- 1 Open the black non-woven fabric before take out the headboard wing, side rail and hardware box.

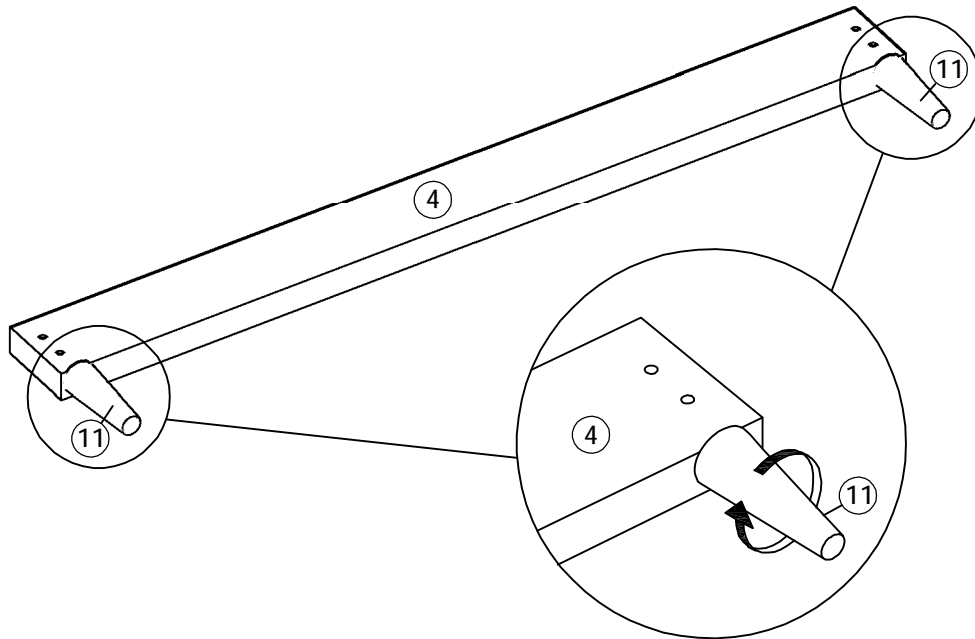


- 2 Attach headboard wing (left) (2) and headboard wing (right) (3) to the headboard (1), using JCBC Bolt M6 X 35MM (E), M6 Spring Washer (H), M6 Flat Washer (I) and M4 Allen Key (B). Fully tighten.

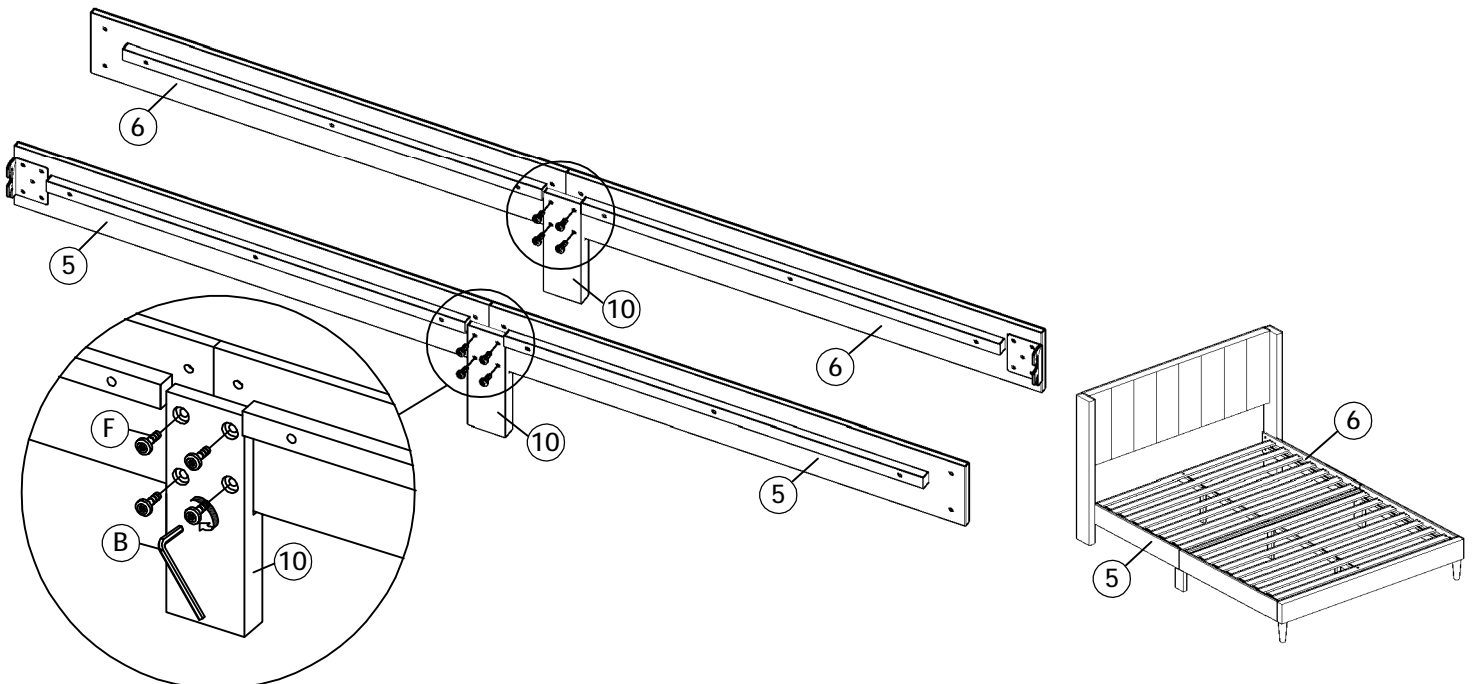


Remarks:
E = JCBC BOLT M6 X 35MM

- 3** Attach bed leg (11) to the footboard (4).

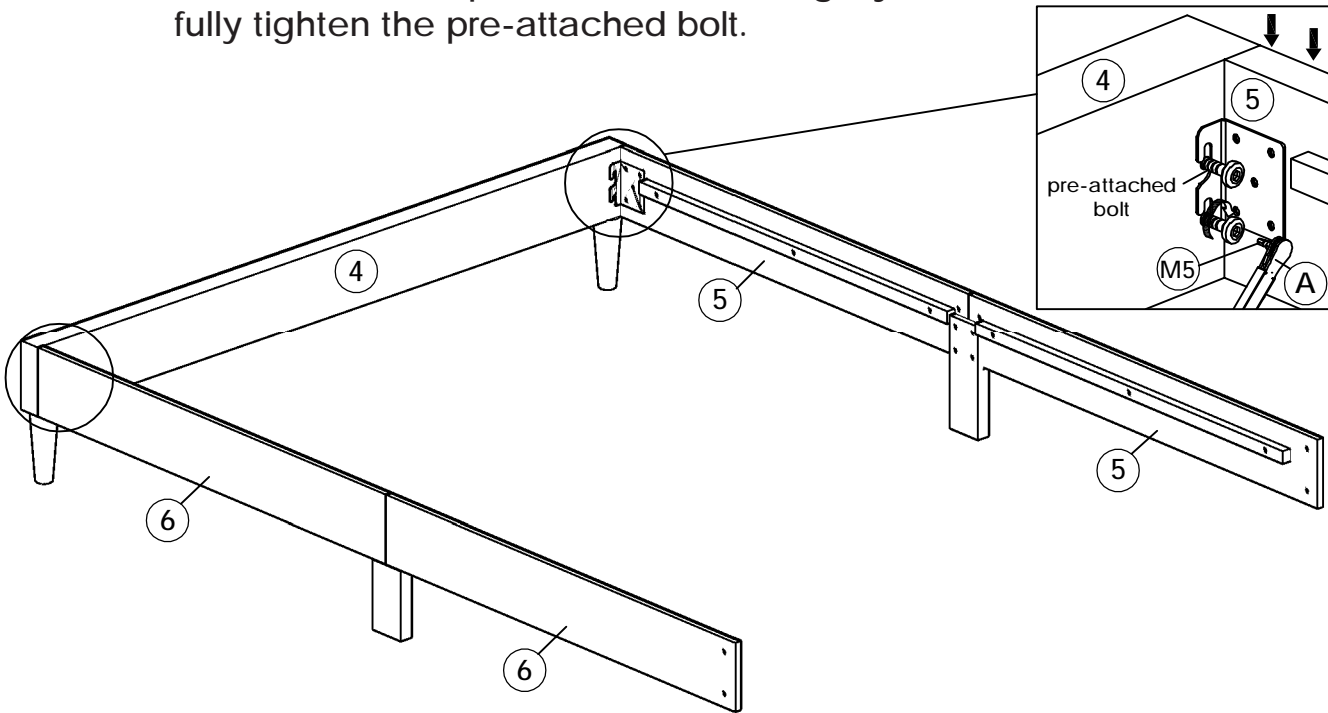


- 4** Attach side rail leg (10) to side rail (left) (5) and side rail (right) (6), using JCBC Bolt M6 X 25MM (F) and M4 Allen Key (B). Fully tighten.
 Note: Before assembled the side rail, please ensure that the side rail laminated veneer lumber LVL in parallel.

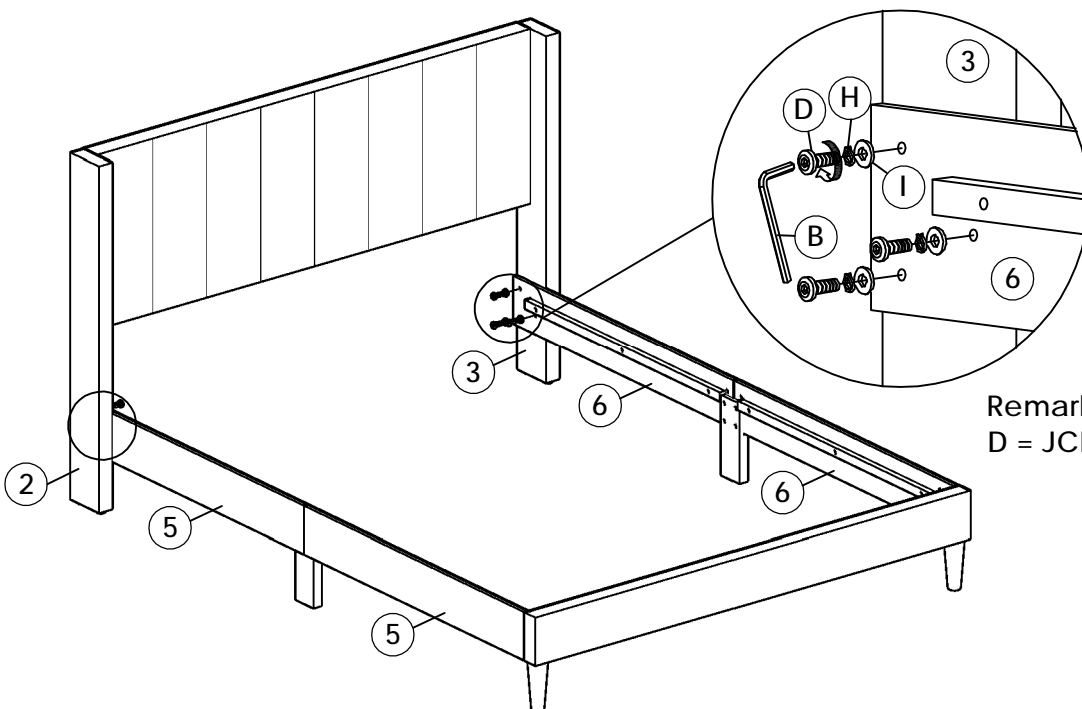


- 5** Attach assembled side rail (left) (5) and side rail (right) (6) to footboard (4), using M5 Ratchet Tool (A). Fully tighten.

Note: Loosen the pre-attached bolt slightly, after attach the side rail, fully tighten the pre-attached bolt.



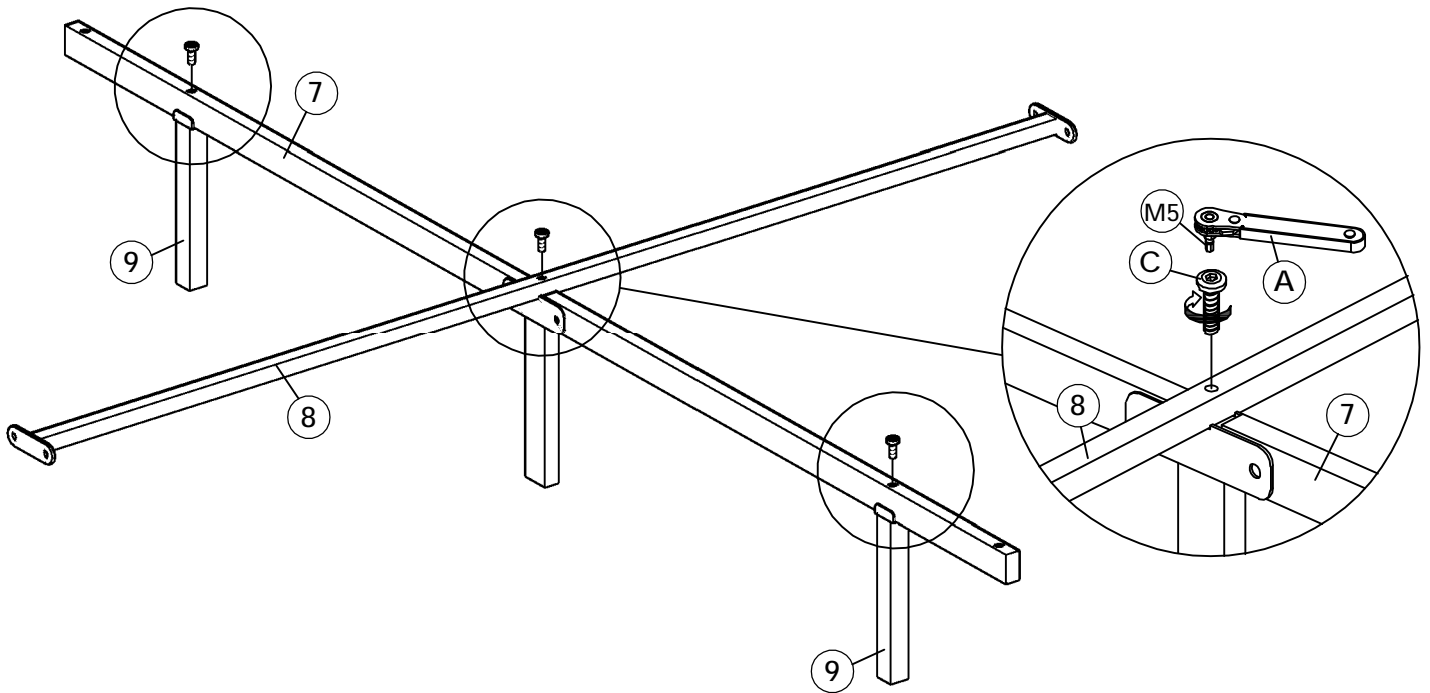
- 6** Attach assembled side rail (left) (5) and side rail (right) (6) to headboard wing (left) (2) and headboard wing (right) (3), using M6 Flat Washer (I) M6 Spring Washer (H), JCBC Bolt M6 X 45MM (D) and M4 Allen Key (B). **Fully tighten.**



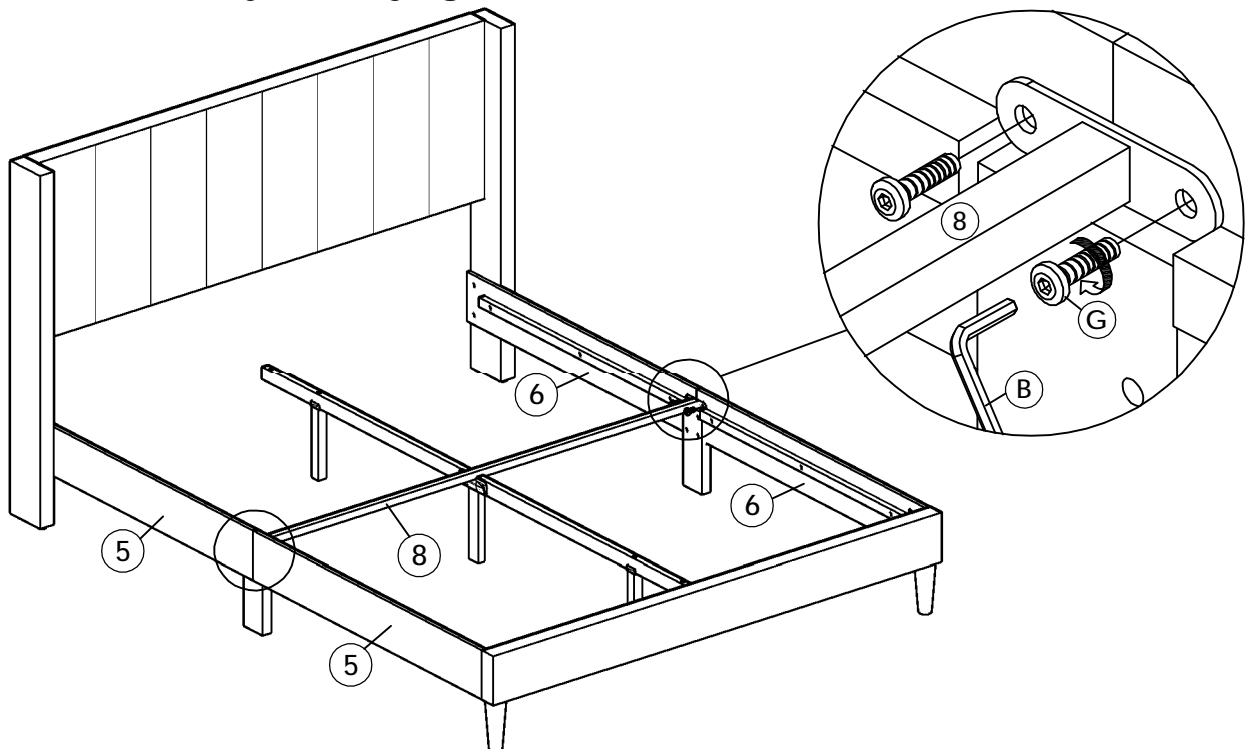
Remarks:

D = JCBC BOLT M6 X 45MM

- 7** Attach metal center support (8) and metal center leg (9) to metal center rail (7), using JCBB Bolt M8 X 70MM (C) and M5 Ratchet Tool (A). **Fully tighten.**

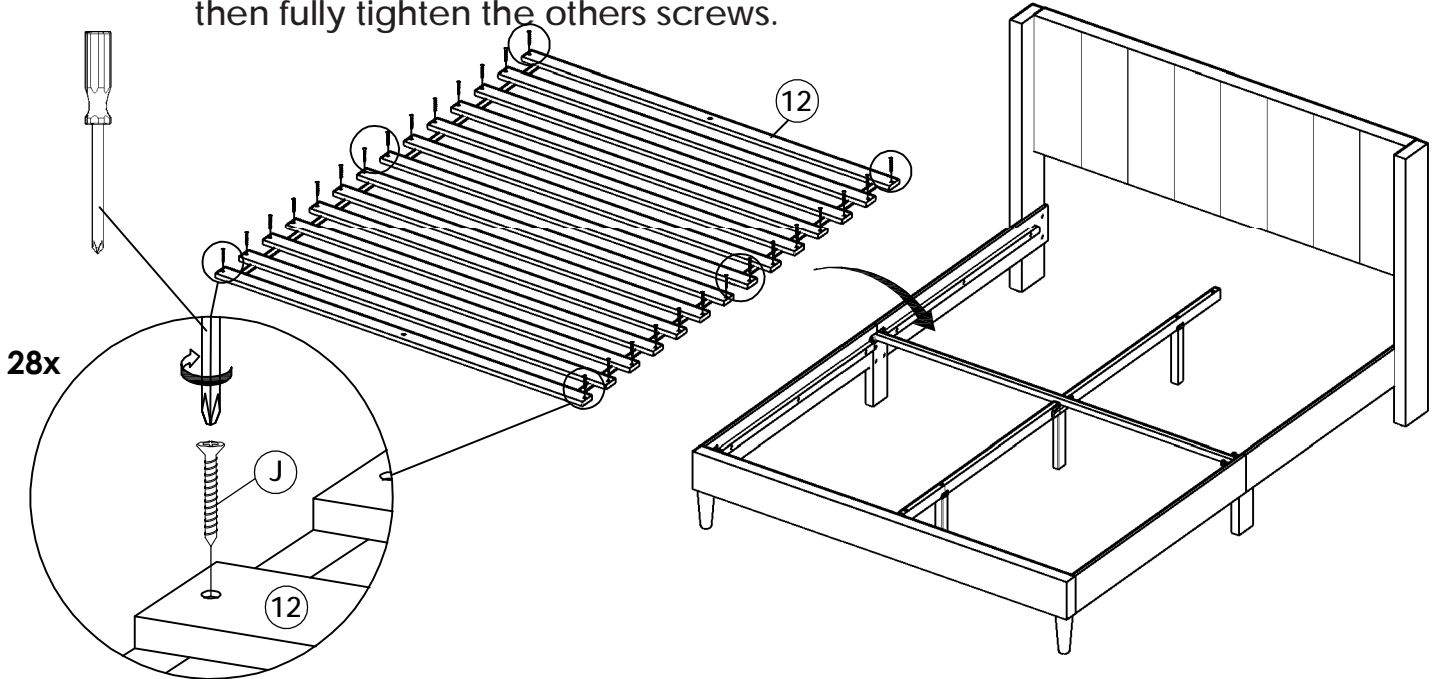


- 8** Attach assembled metal center support (8) to side rail (left) (5) and side rail (right) (6), using JCBC BOLT M6 X 16MM (BLACK) (G) and M4 Allen Key (B). **Fully tighten.**

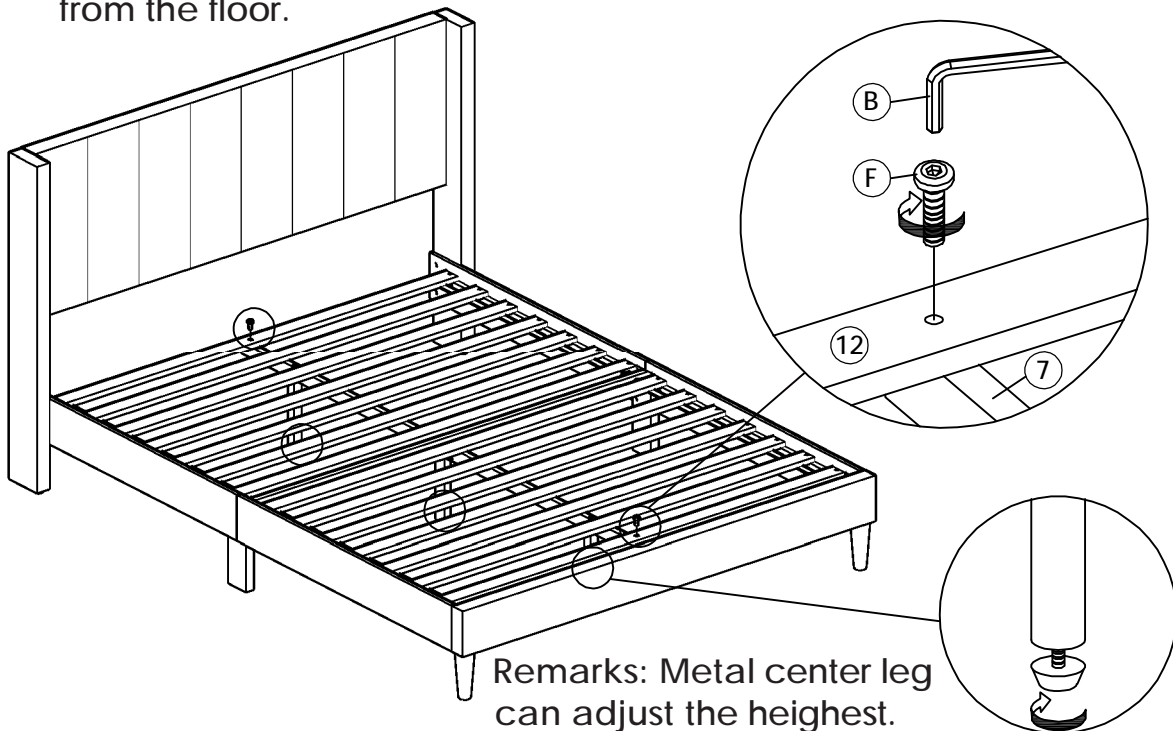


- 9** Attach slats x7 (2 Set) (12) to side rail (left) (5) and side rail (right) (6), using Wood Screw M4 X 30MM (J) and Phillips Head Screwdriver (Not Included). Fully tighten.

Note: Please fully tighten the eight side screws that shown in below circled, then fully tighten the others screws.

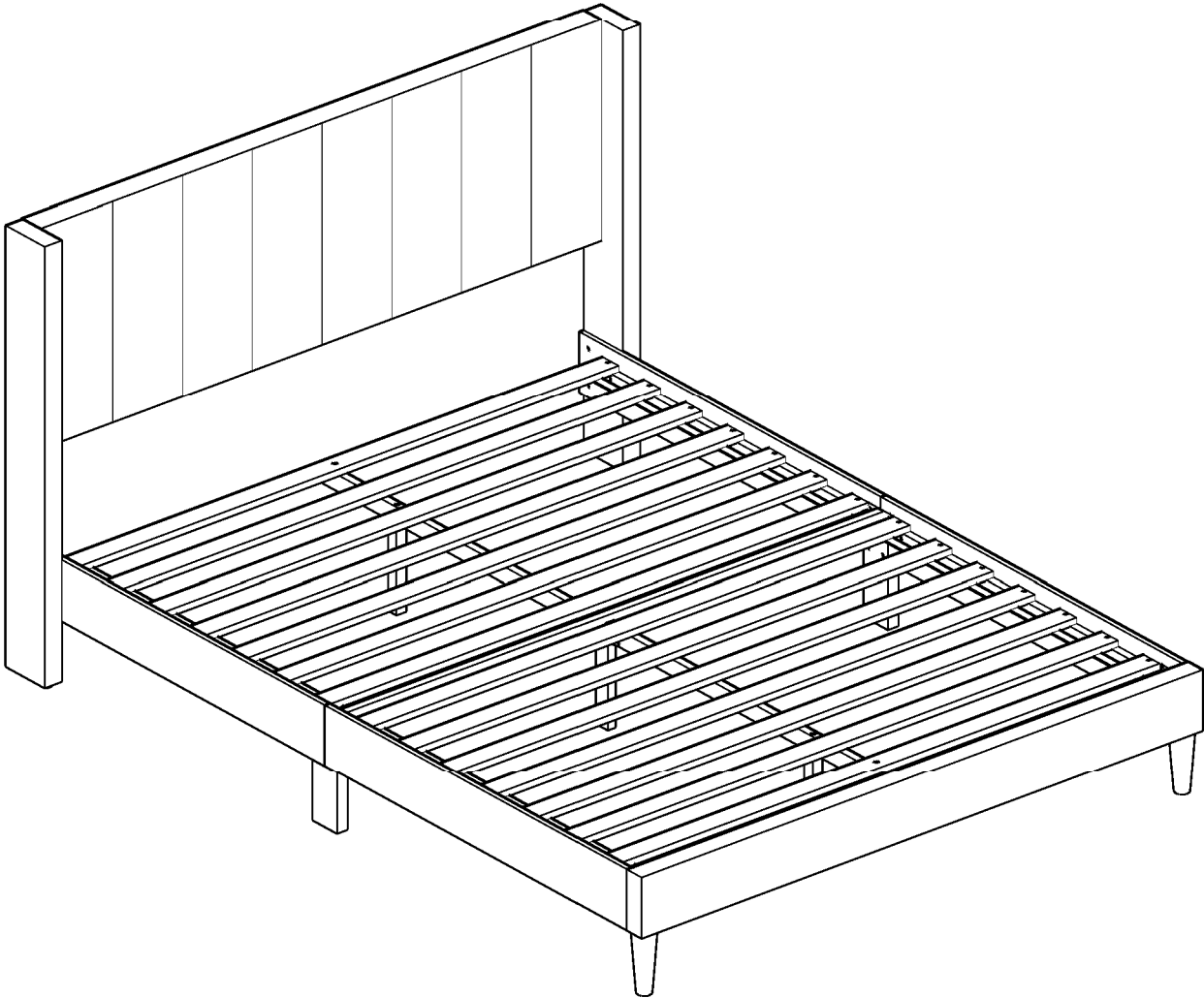


- 10** Attach slats x7 (2 Set) (12) to metal center rail (7), using JCBC Bolt M6 X 25MM (F) and M4 Allen Key (B). Fully tighten. ATTENTION: Please keep the adjuster around 5 to 8mm distant away from the floor.



Remarks: Metal center leg can adjust the heighest.

11 Assembly Completed. Enjoy.



Design Exquisite Furniture For Your Home

PRODUCT WARRANTY

- 1-year limited on cover against splitting, peeling, and/or tearing.
- 1-year limited on internal and external frame structure.

Contact us:

We make all efforts to guarantee that the products you receive are in excellent condition. If there are any parts missing or damaged, the Customer Service Team will be happy to provide free replacements for you. We have professional warehouses where the current inventory of parts is enough so that they will arrive in your hands as fast as possible.

Assistance with assembly or product details is available; don't hesitate to get in touch with us to get priority service.

Our E-mail address: CS.furniture@outlook.com.



CS.furniture@outlook.com