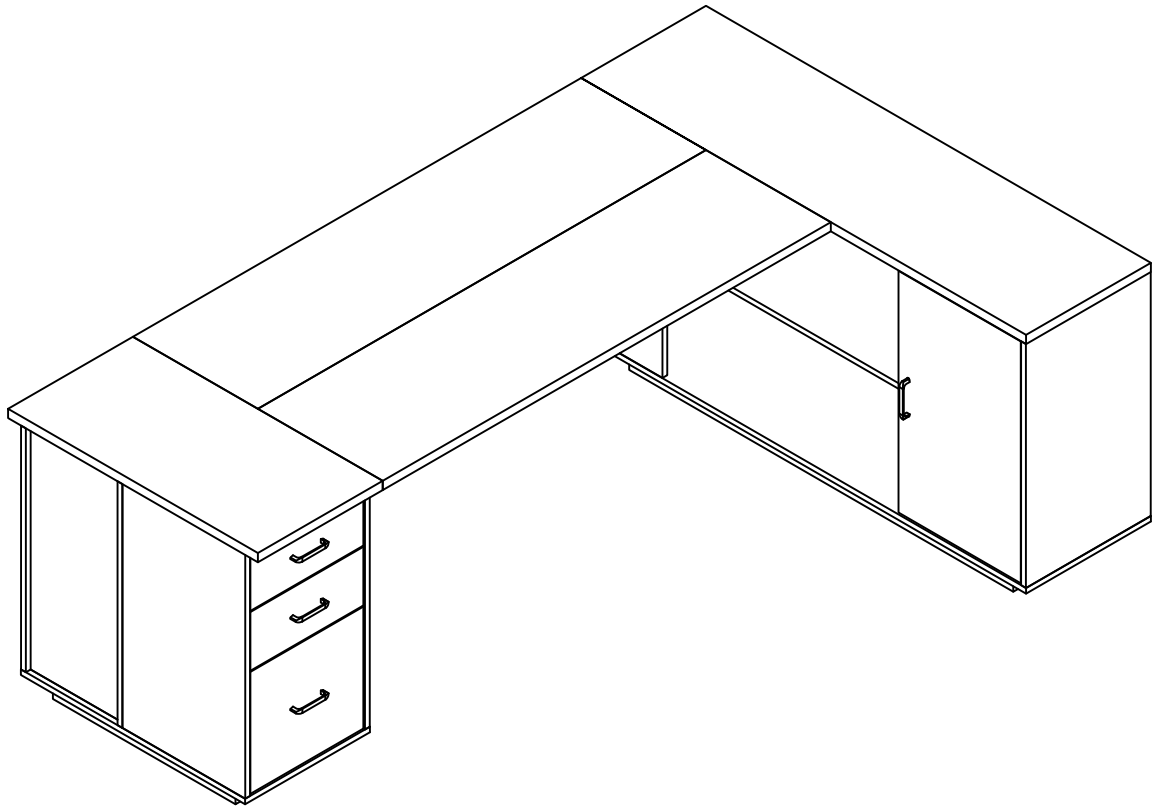


# Assembly Instructions



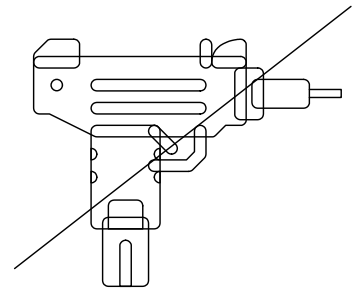
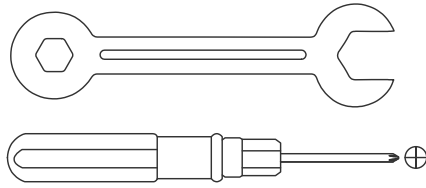
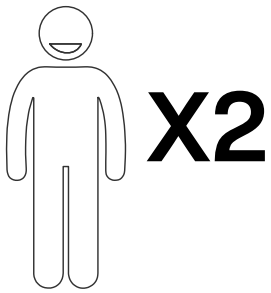
Office Desk

Your satisfaction is our top priority. If you encounter any issues with this product, such as missing or damaged parts, we're here to help. Please retain the original packaging and take photos of the packaging and the product, then contact us as soon as possible.

## **Warm Tips**

1. Carefully read these instructions and keep them for future reference.
2. Check the parts list and confirm everything's there before starting assembly.
3. When assembling, put all parts on a soft, smooth surface like a carpet to avoid scratches.
4. Don't fully tighten screws until all parts are confirmed in place to avoid misalignment.

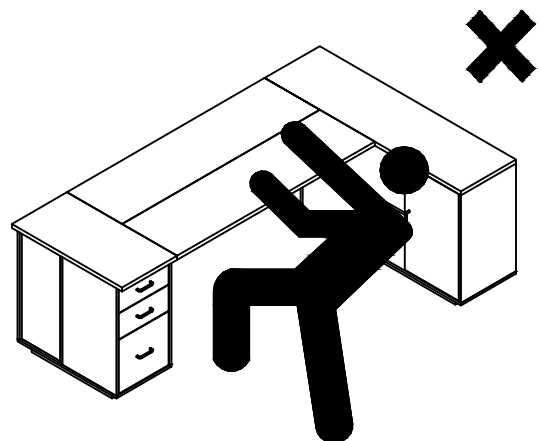
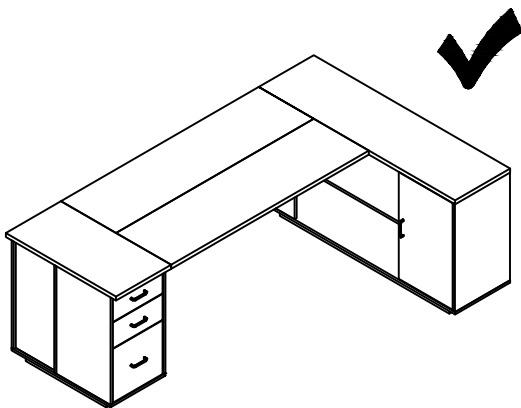
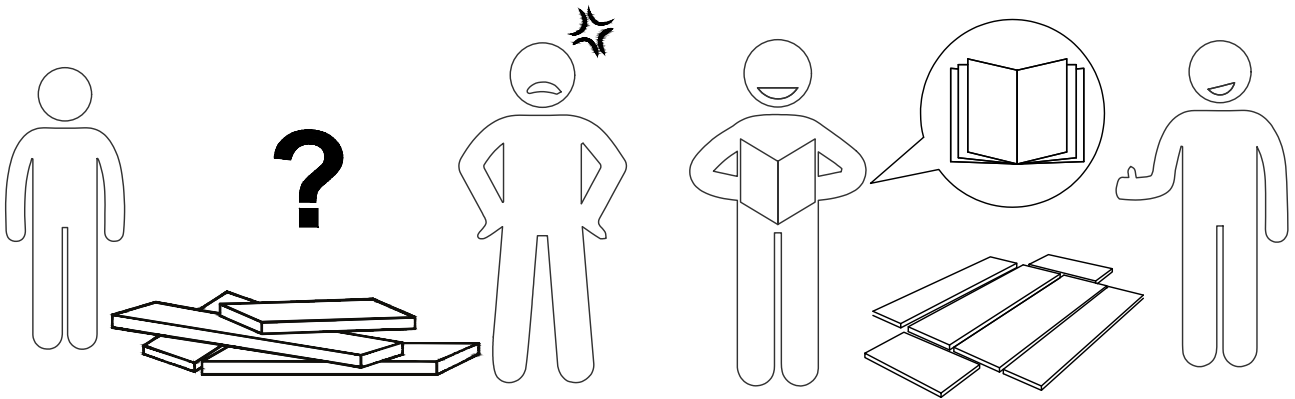
Note: If you can't find the assembly video, please contact us.

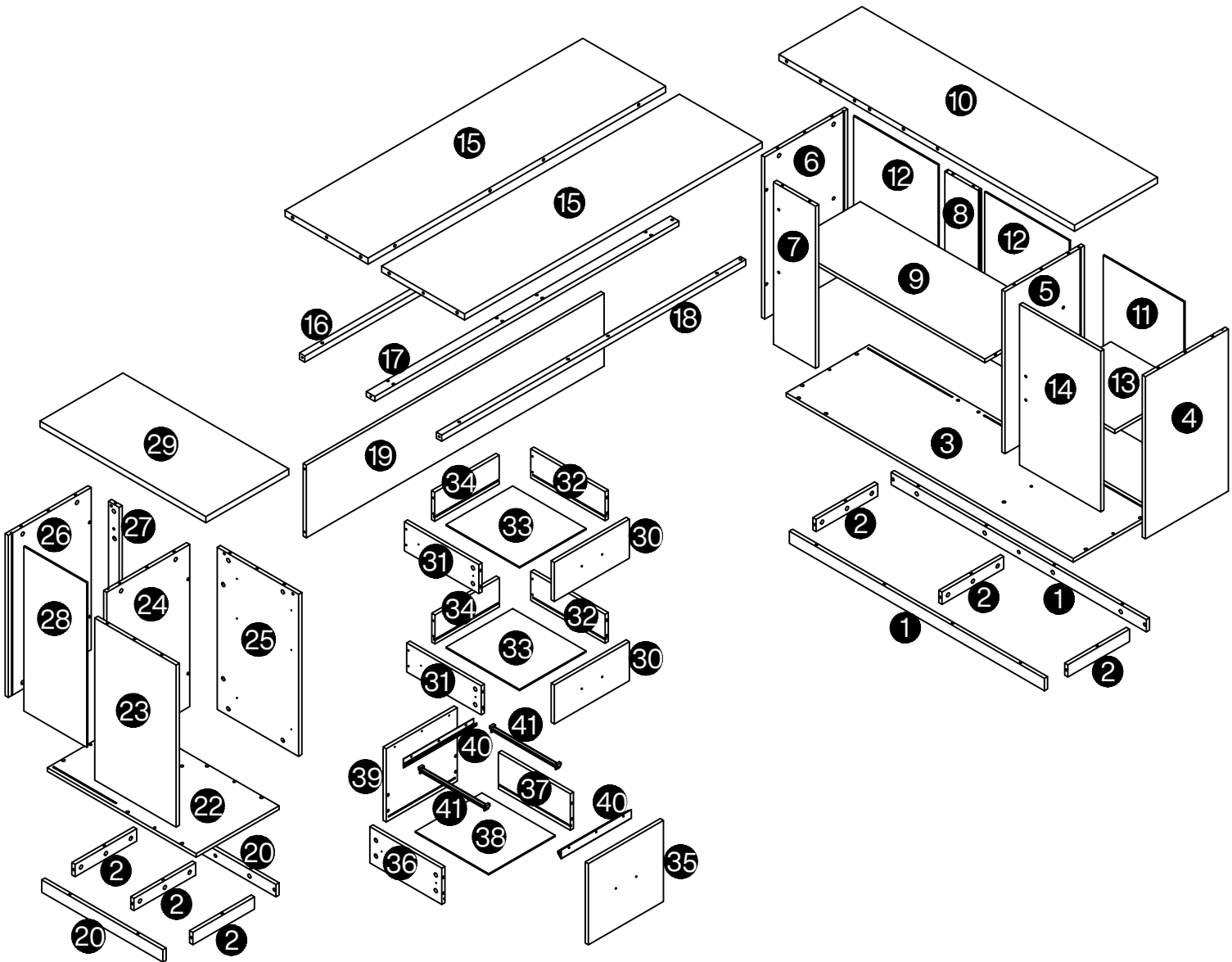


We recommend using hand tools for assembly.

If an electric screwdriver is used, reduce power and torque to avoid damage to the product.

---

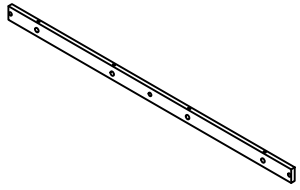




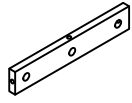
**⚠ Caution**

Make sure all parts are included. Most board parts are labeled or stamped on the raw edge. Contact us for a free replacement if you encounter any damaged or missing parts.

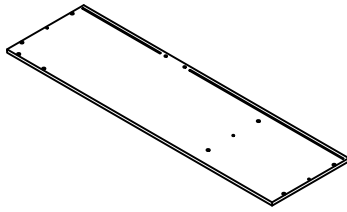
# Parts List



1 2pcs



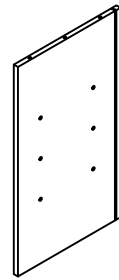
2 6pcs



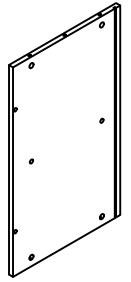
3 1pc



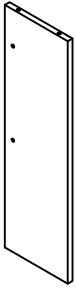
4 1pc



5 1pc



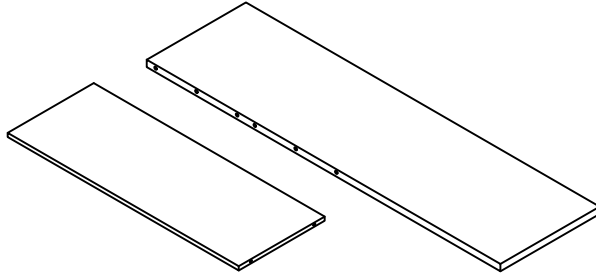
6 1pc



7 1pc

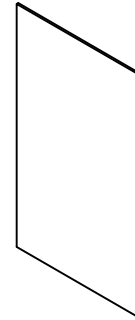


8 1pc

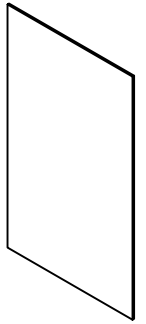


9 1pc

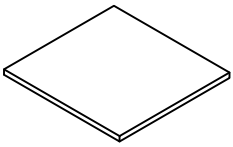
10 1pc



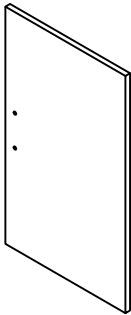
11 1pc



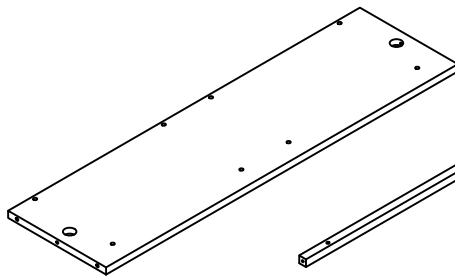
12 2pcs



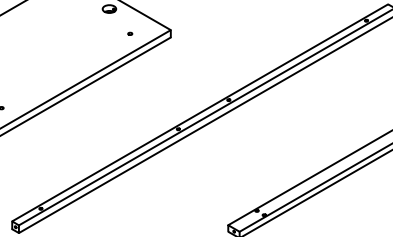
13 1pc



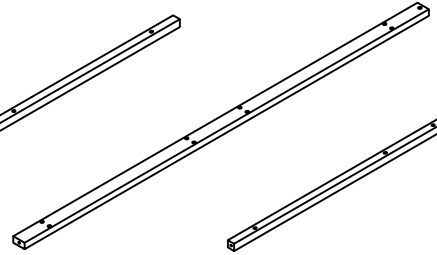
14 1pc



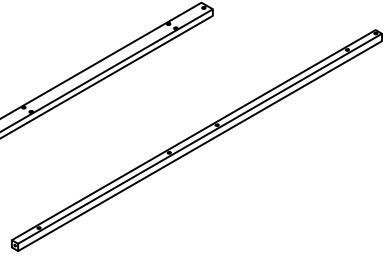
15 2pcs



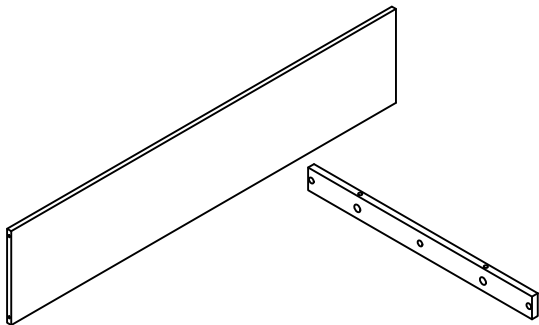
16 1pc



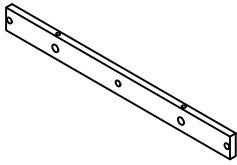
17 1pc



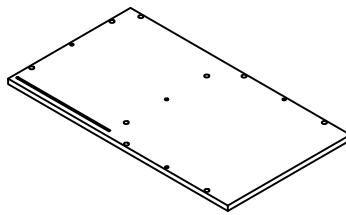
18 1pc



19 1pc



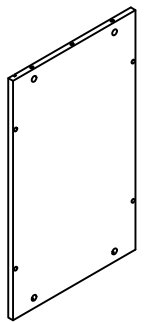
20 2pcs



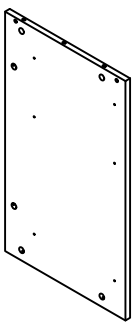
22 1pc



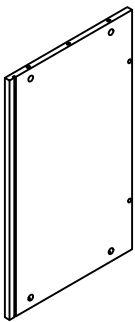
23 1pc



24 1pc



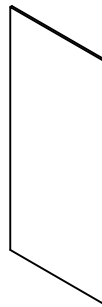
25 1pc



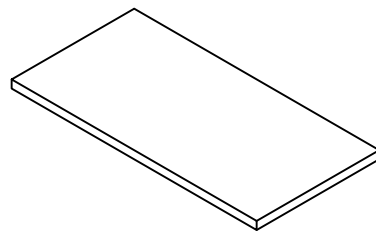
26 1pc



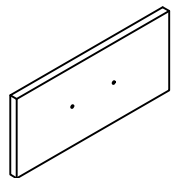
27 1pc



28 1pc

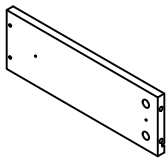


29 1pc

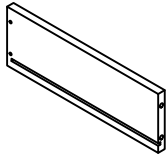


30 2pcs

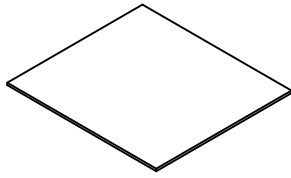
# Parts List



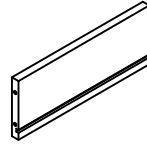
31 2pcs



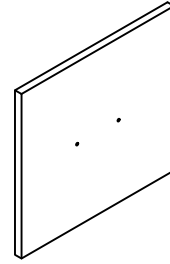
32 2pcs



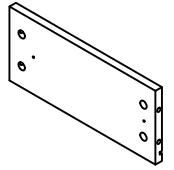
33 2pcs



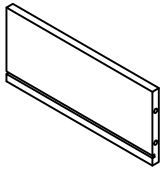
34 2pcs



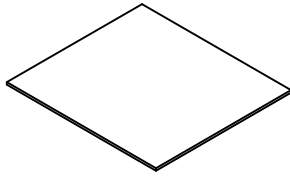
35 1pc



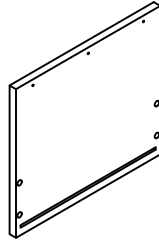
36 1pc



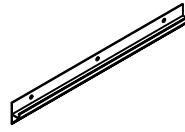
37 1pc



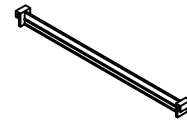
38 1pc



39 1pc



40 2pcs



41 2pcs

# Hardware List



M6X35MM

A

96pcs



Ø8X30MM

B

14pcs



Ø10X30MM

C

12pcs



Ø4X20MM

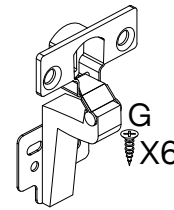
D

8pcs



E

4pcs



F

2pcs



Ø3.5X14MM

G

42pcs



14X12X10MM

H

12pcs



Ø6X35MM

I

13pcs



Ø6X40MM

J

9pcs



Ø7X38MM

K

5pcs



Ø3.5X35MM

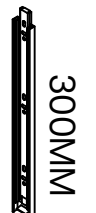
L

8pcs



M

16pcs



300MM

N

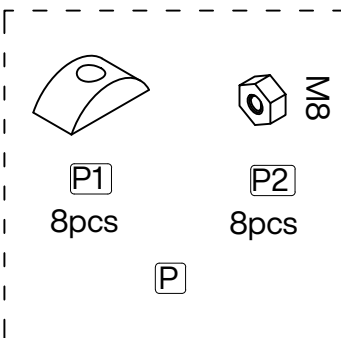
3pcs



Ø8X95MM

O

4pcs



P1

8pcs



M8

P2

8pcs

P



16X11X15MM

Q

4pcs

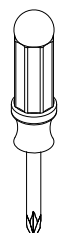


2pcs



M4

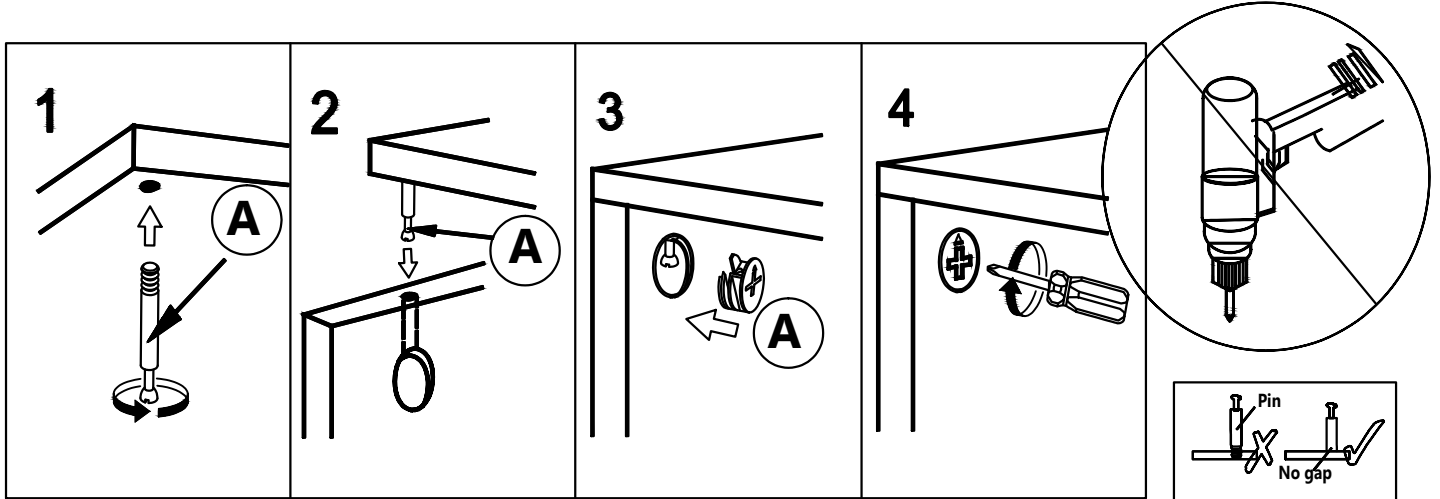
1pc



Screwdriver

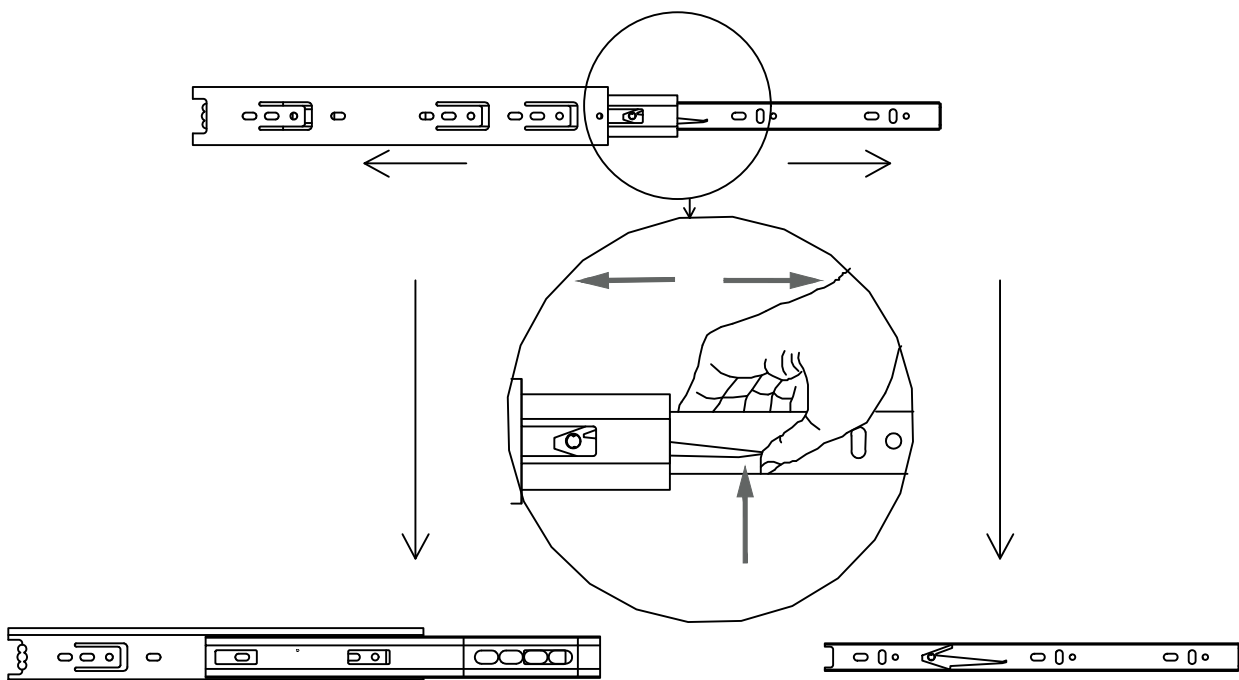
## Installation of Cams and Pins

Screw the pin into the hole. To set the cams correctly, ensure that the arrow on the cam is opening to the hole of the pin it is locking. Lock the cam by turning the cam head with a screwdriver until it is tightened. Please do not use an electric screwdriver to assemble the unit.



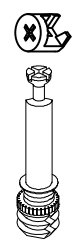
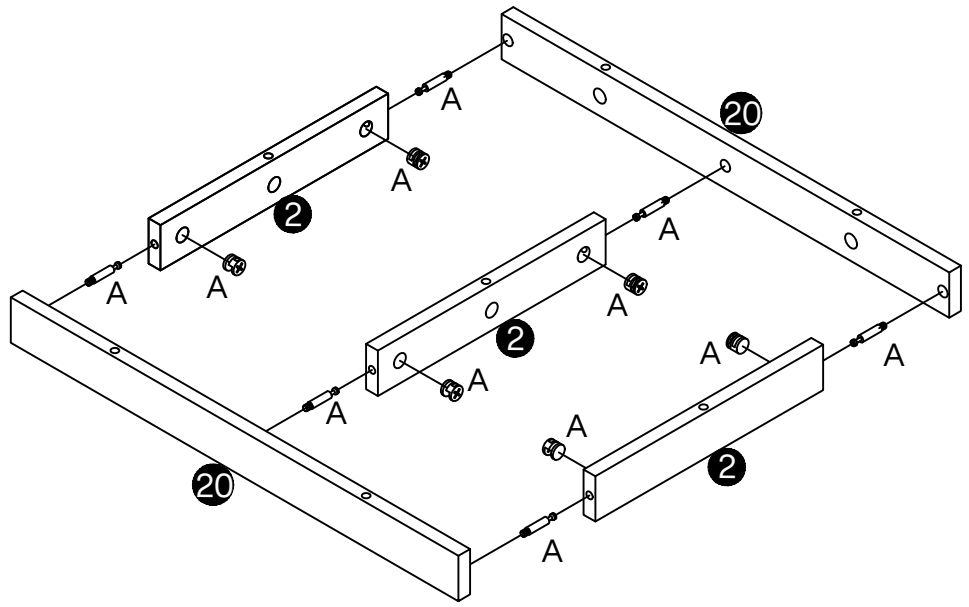
Read each step carefully before starting. It is very important that each step of instruction is performed in the correct order. If these steps are not followed in sequence, assembly difficulties will occur.

## Three section guide rail diagram

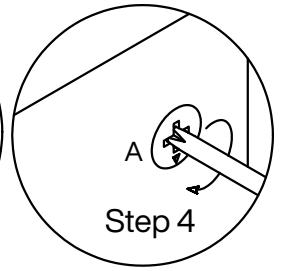
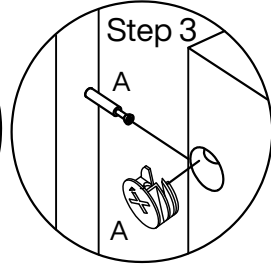
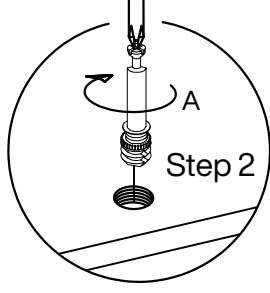
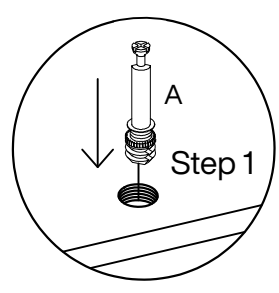


Disconnect the rail with the BLACK PLASTIC PART.  
It needs to be pulled down to disconnect the runners.

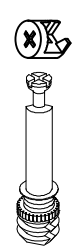
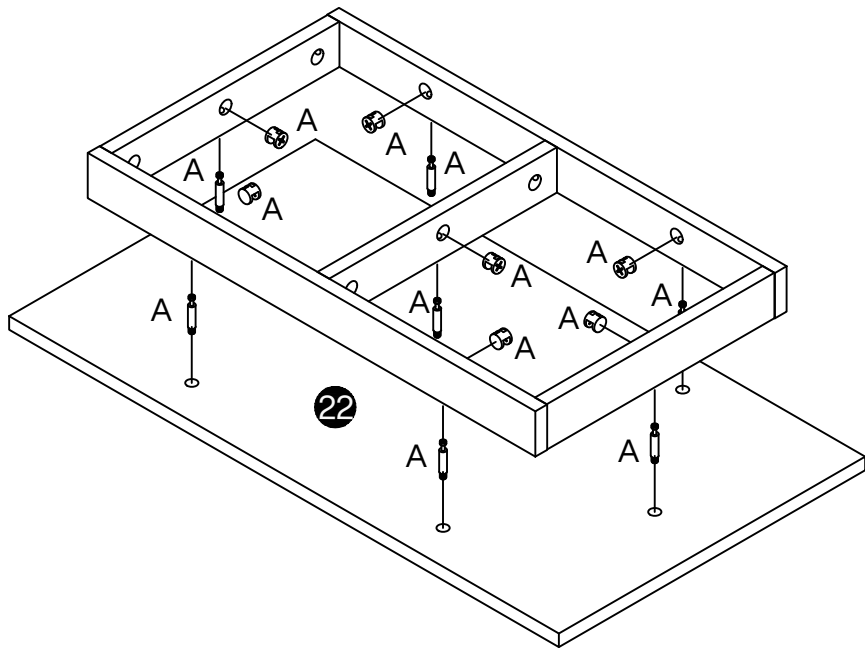
# 1



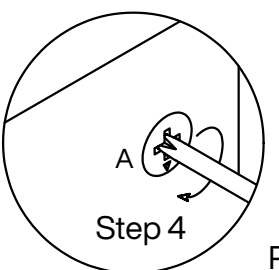
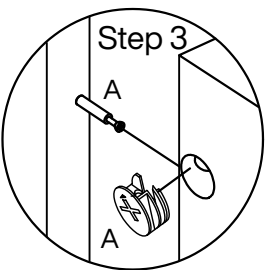
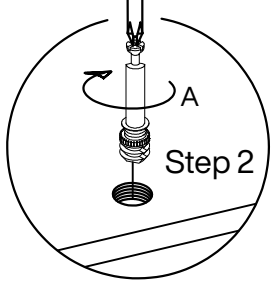
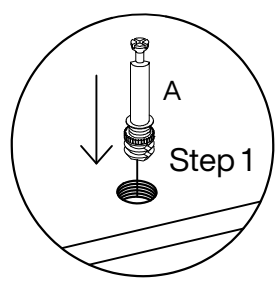
A  
6 pcs



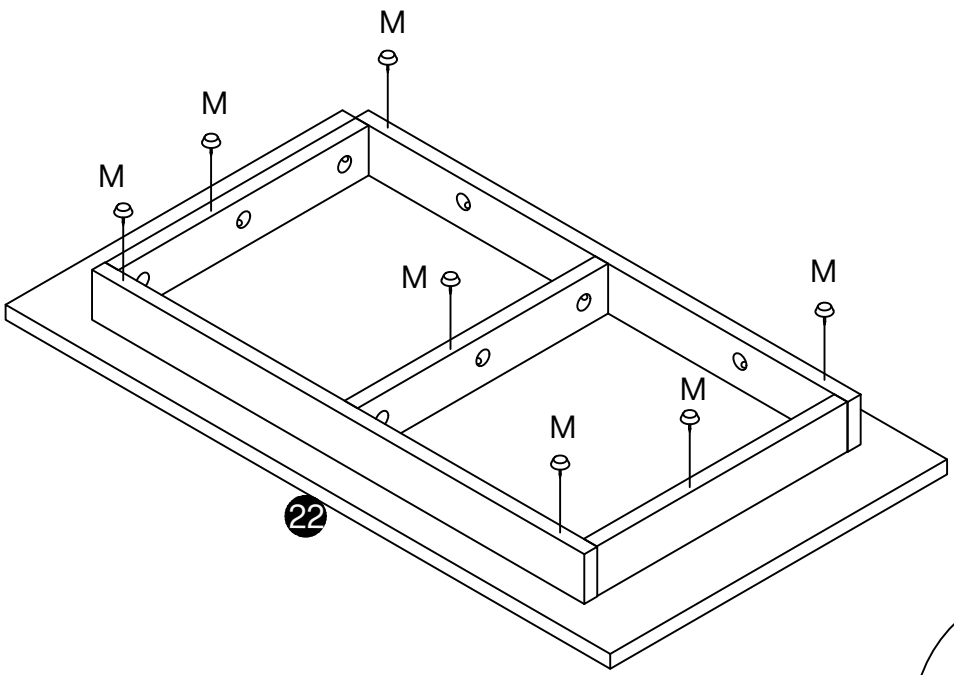
# 2



A  
7 pcs

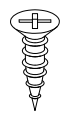
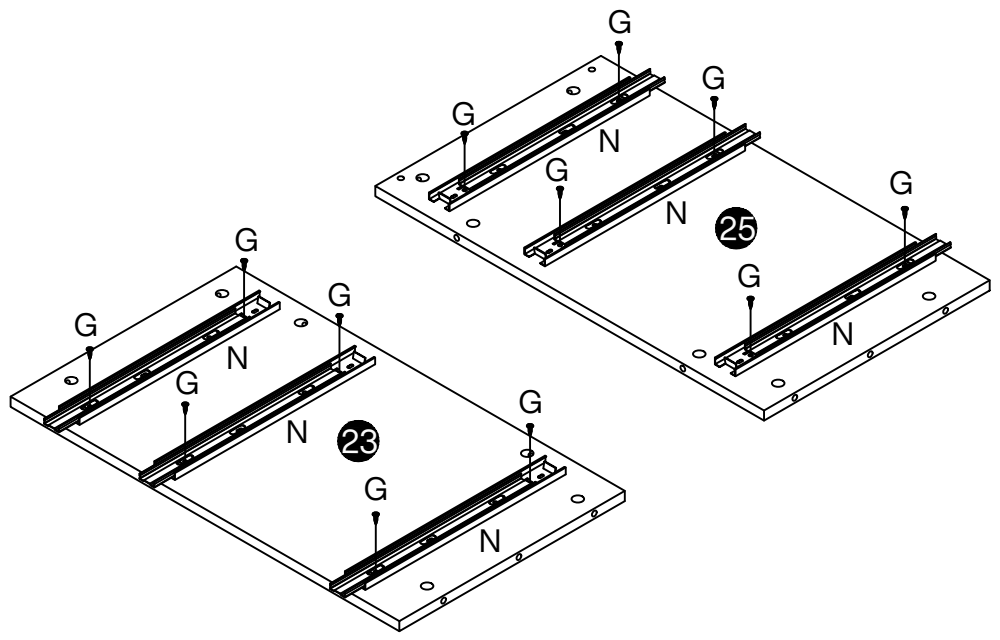


3



M  
7pcs

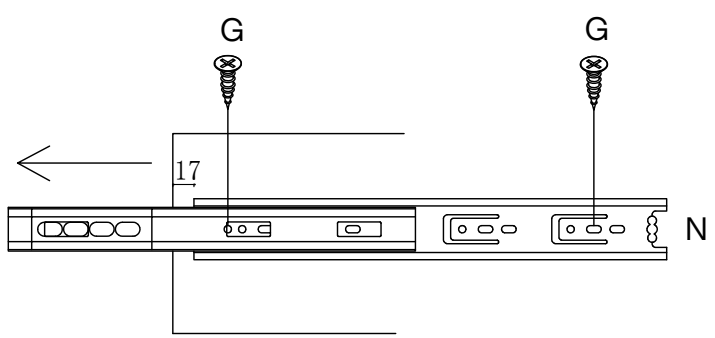
4



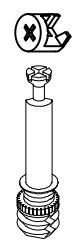
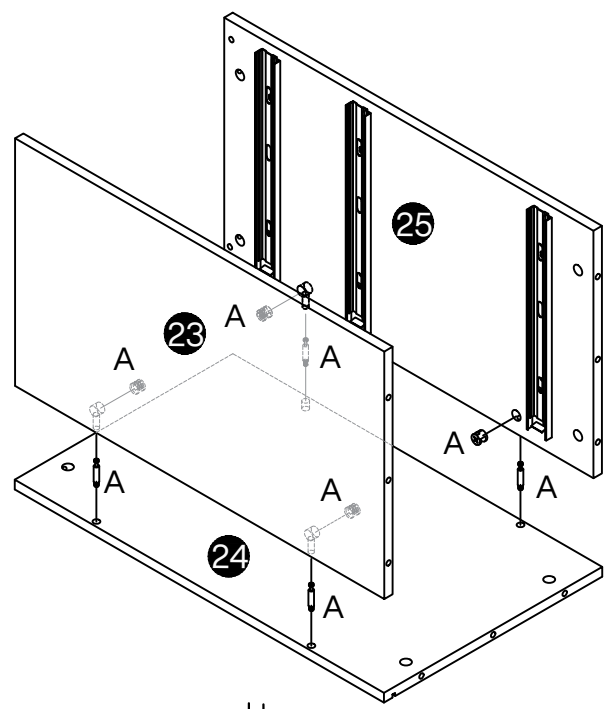
G  
12 pcs



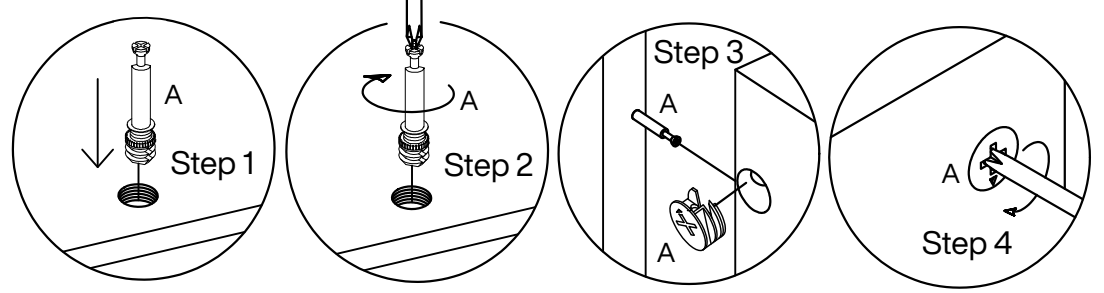
N  
3 pcs



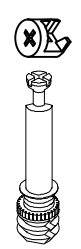
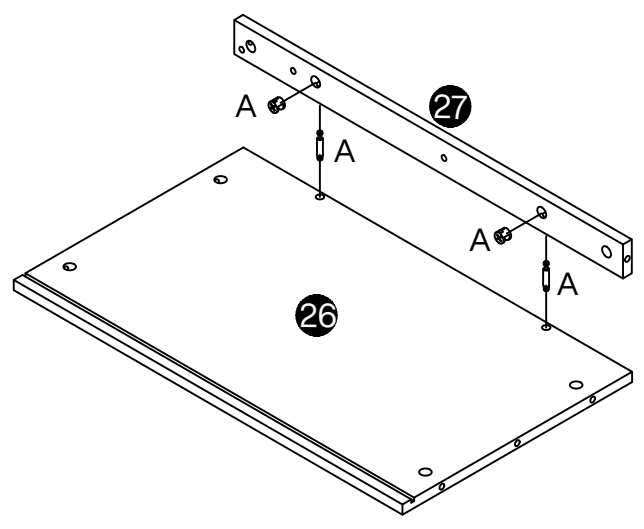
5



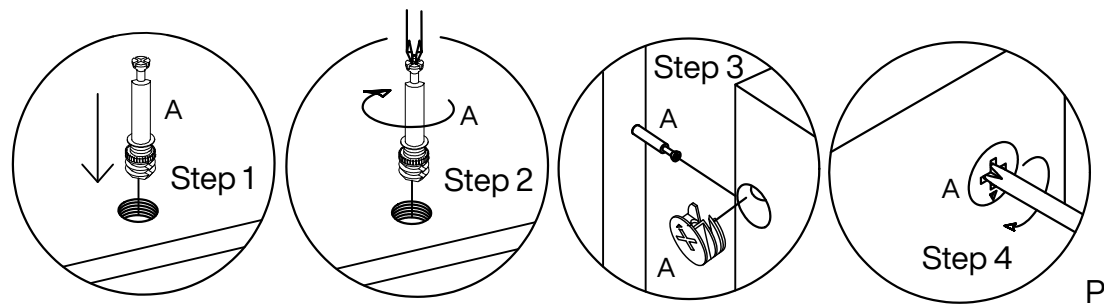
A  
4 pcs



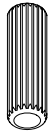
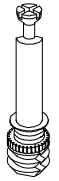
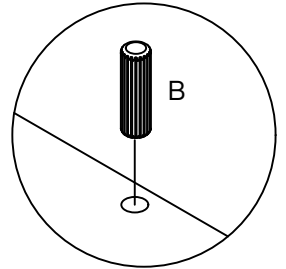
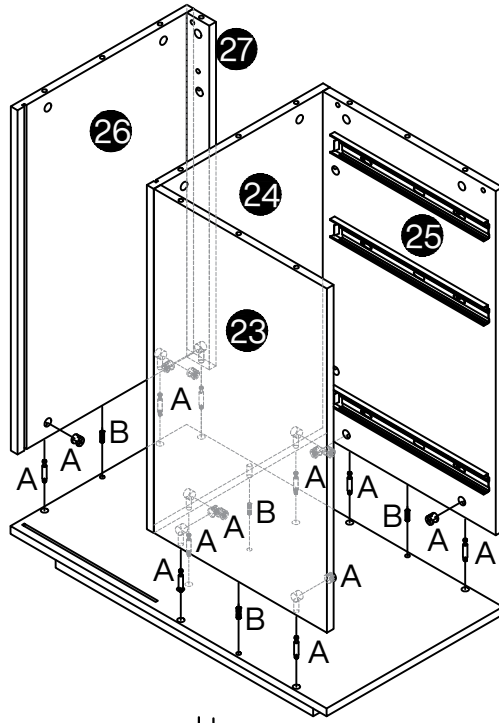
6



A  
2 pcs

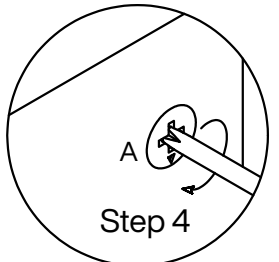
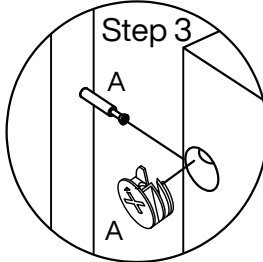
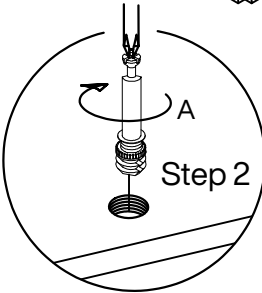
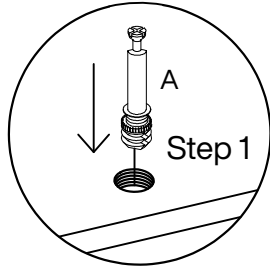


# 7

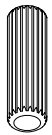
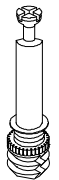
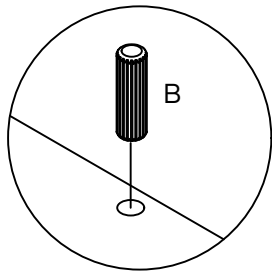
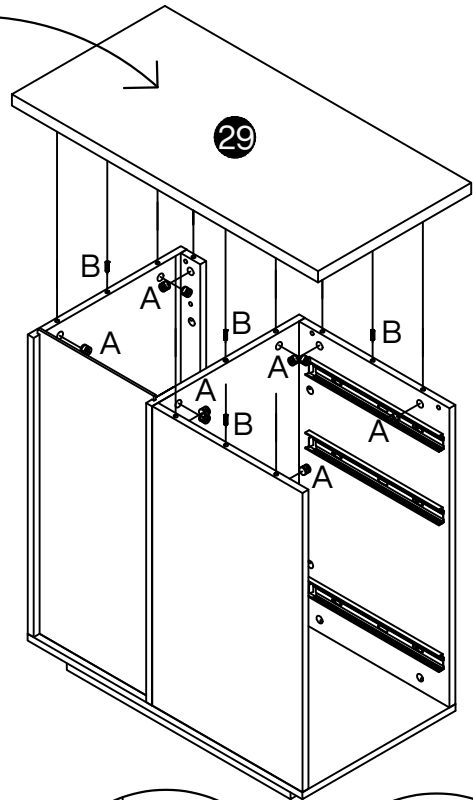
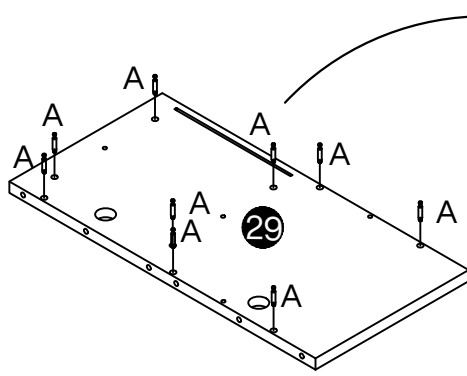


A  
9 pcs

B  
4 pcs

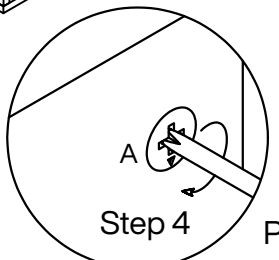
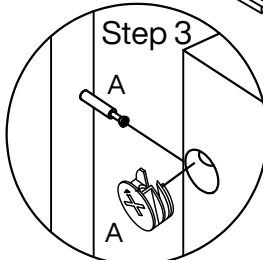
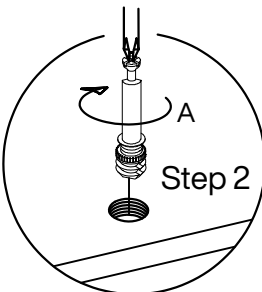
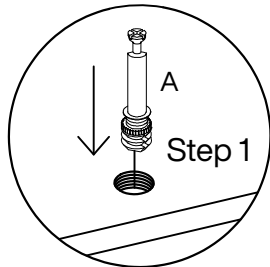


# 8

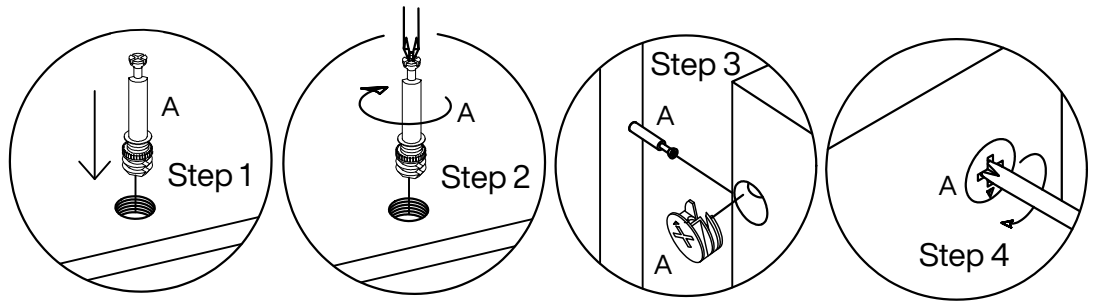
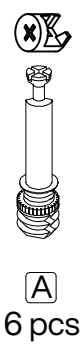
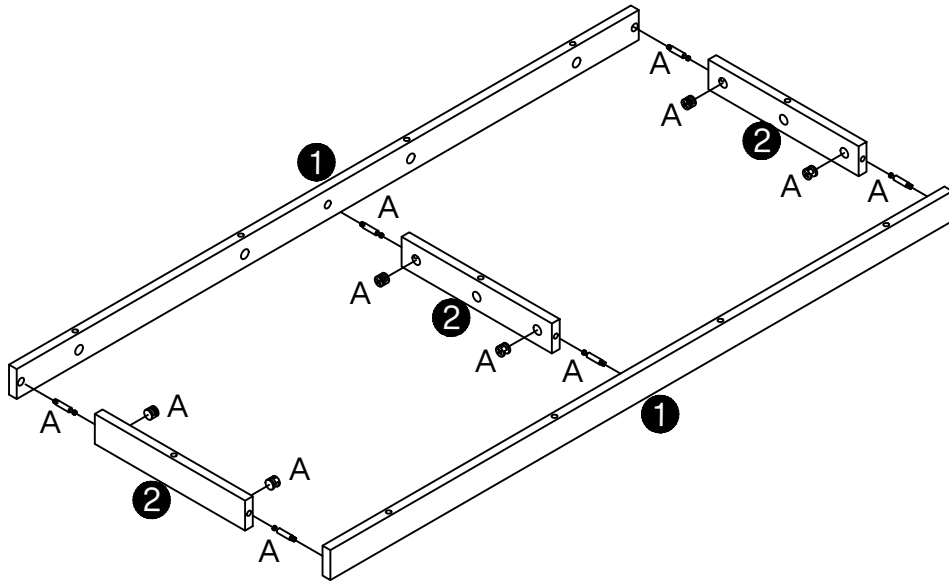


A  
9 pcs

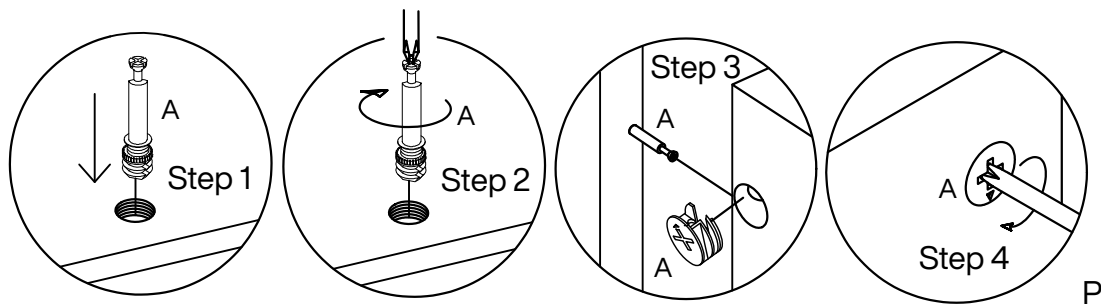
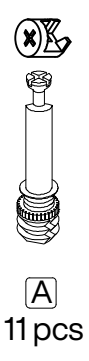
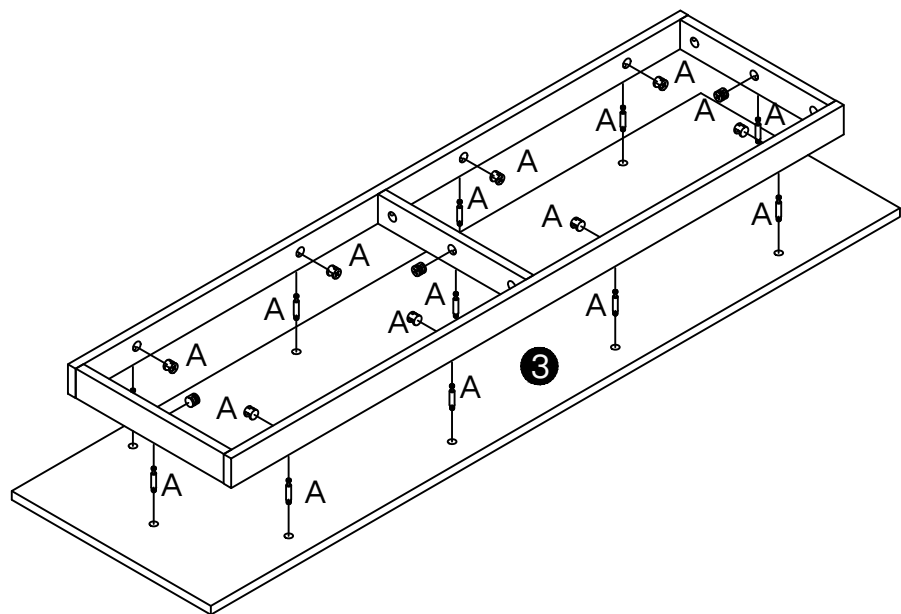
B  
4 pcs



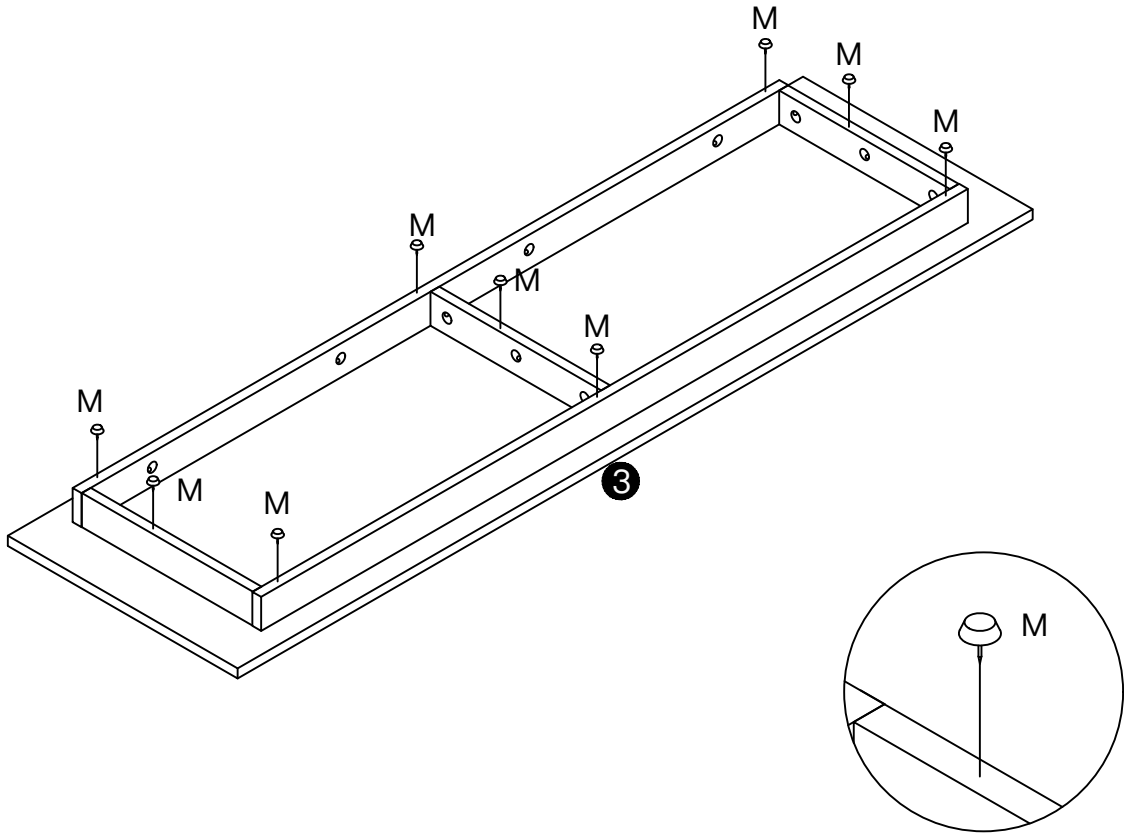
# 9



# 10

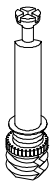
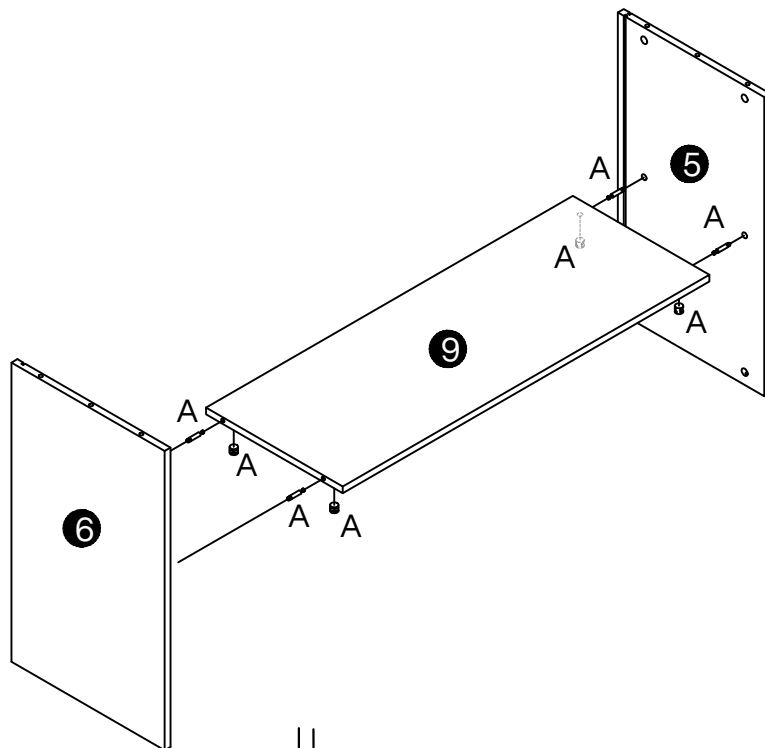


# 11

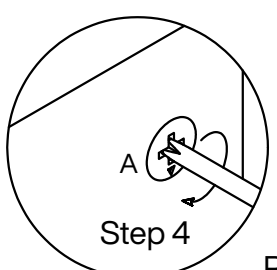
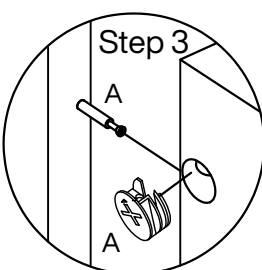
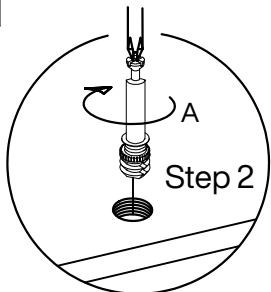
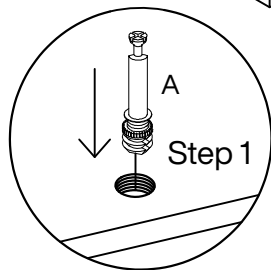


M  
9pcs

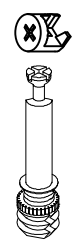
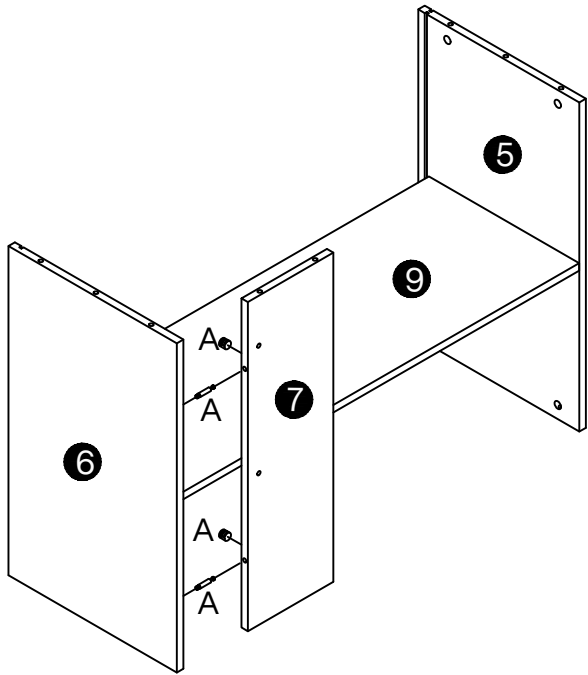
# 12



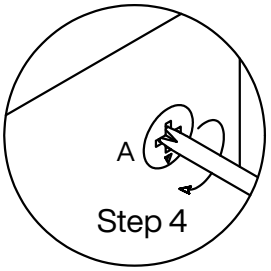
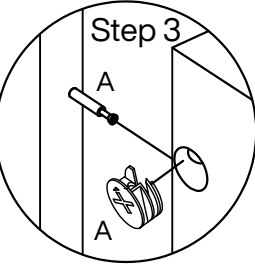
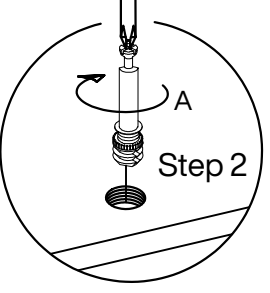
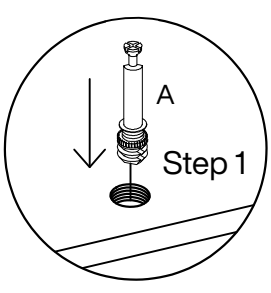
A  
4 pcs



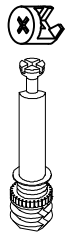
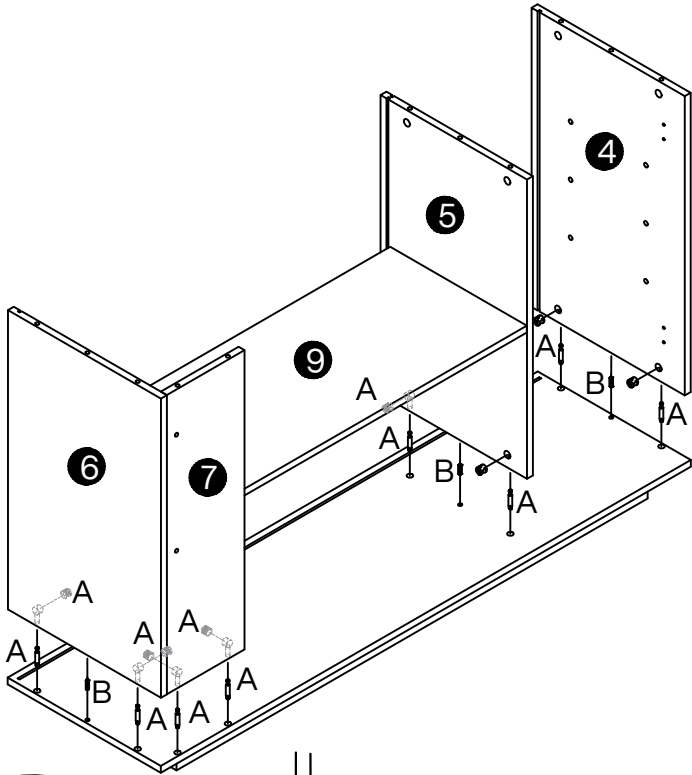
# 13



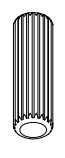
A  
2 pcs



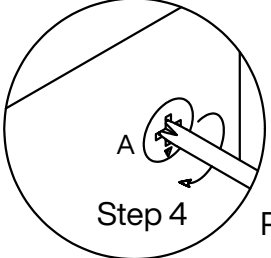
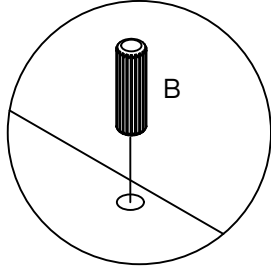
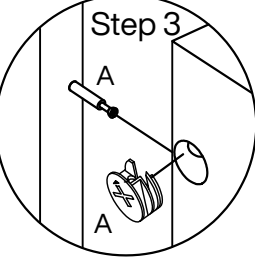
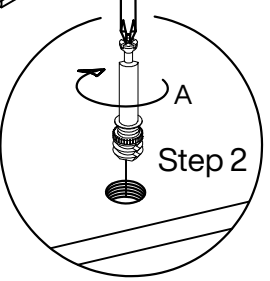
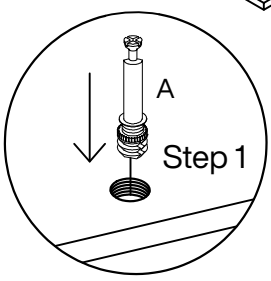
# 14



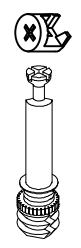
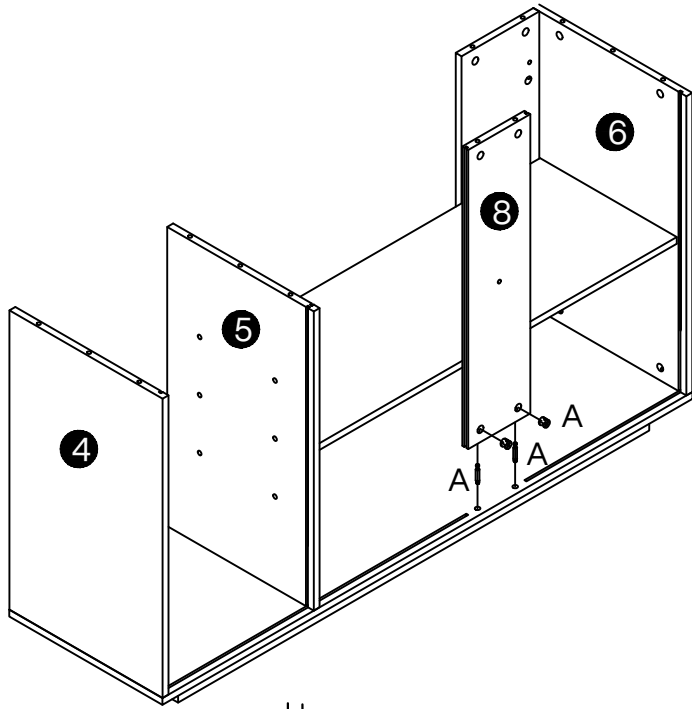
A  
8 pcs



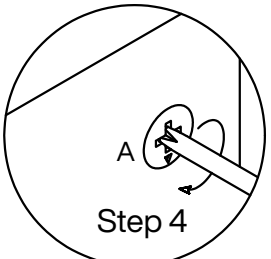
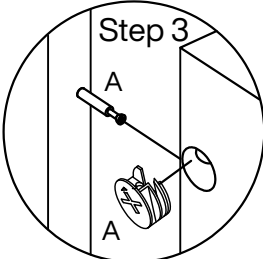
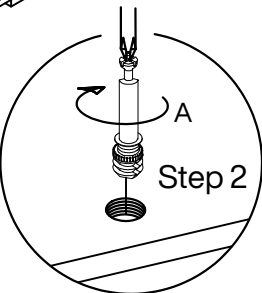
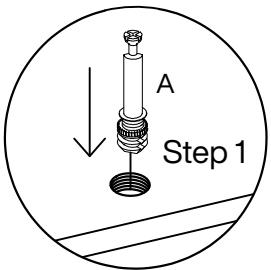
B  
3 pcs



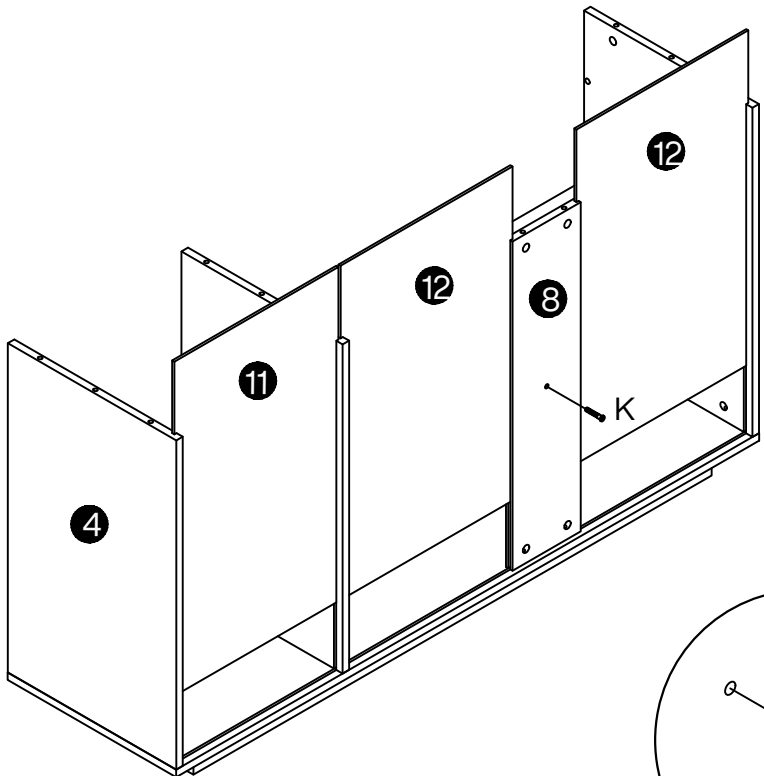
# 15



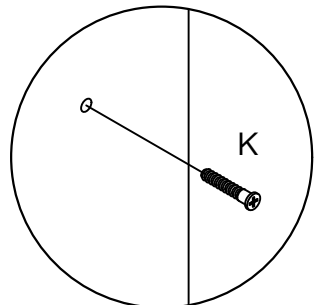
A  
2 pcs



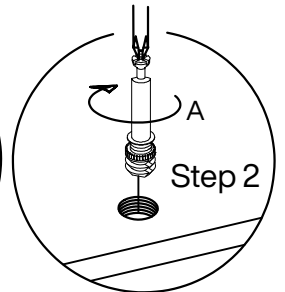
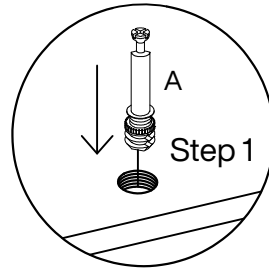
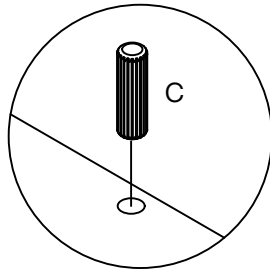
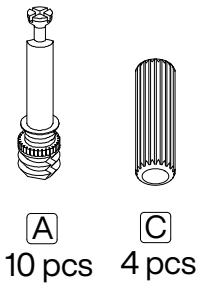
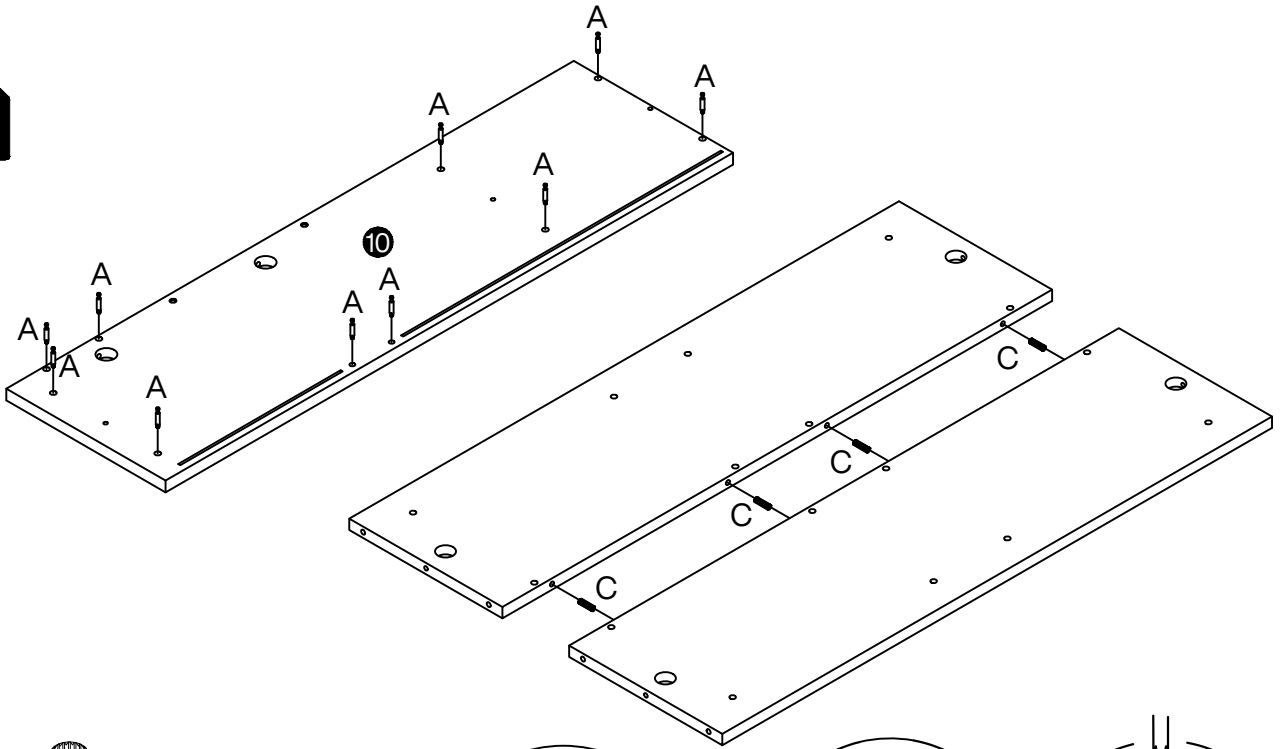
# 16



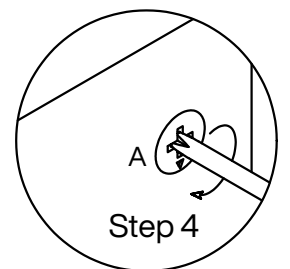
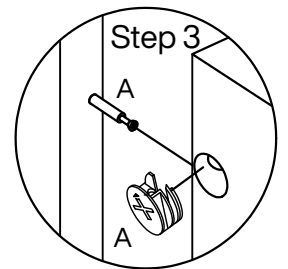
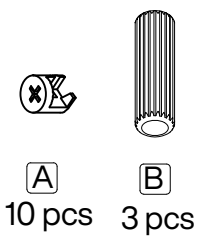
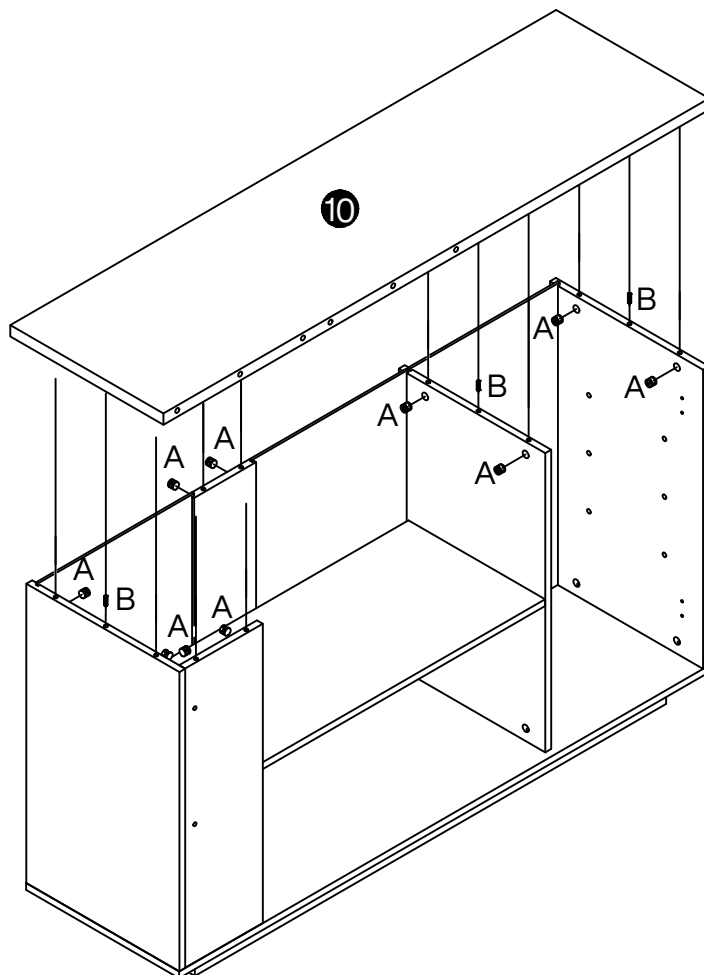
K  
1 pcs



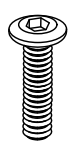
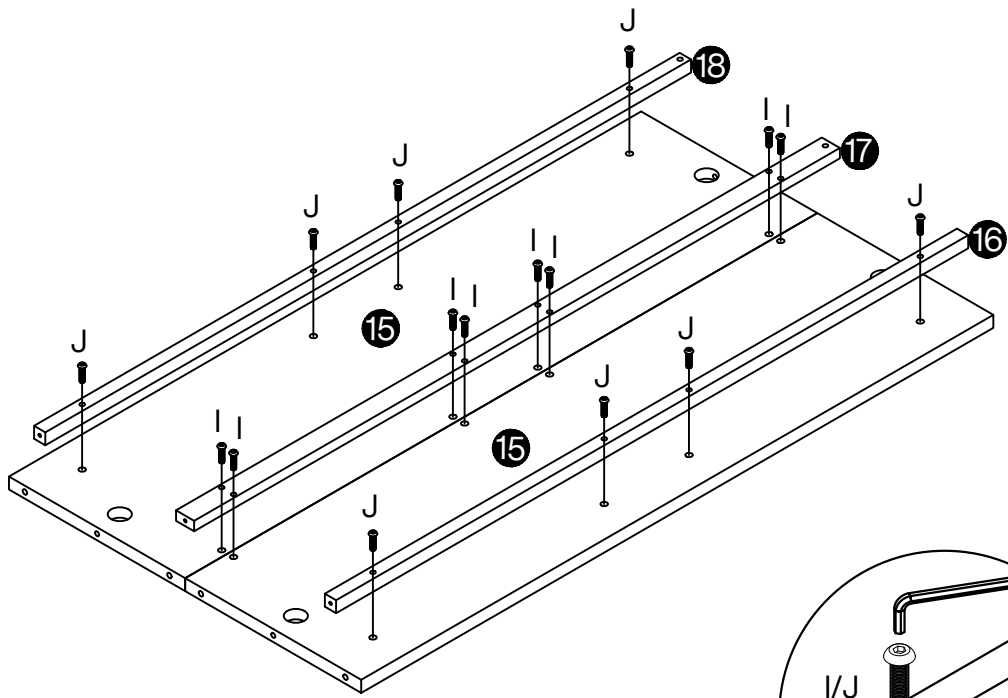
17



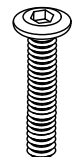
18



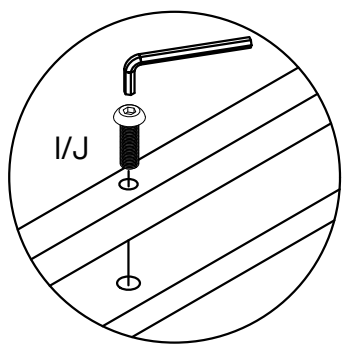
# 19



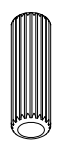
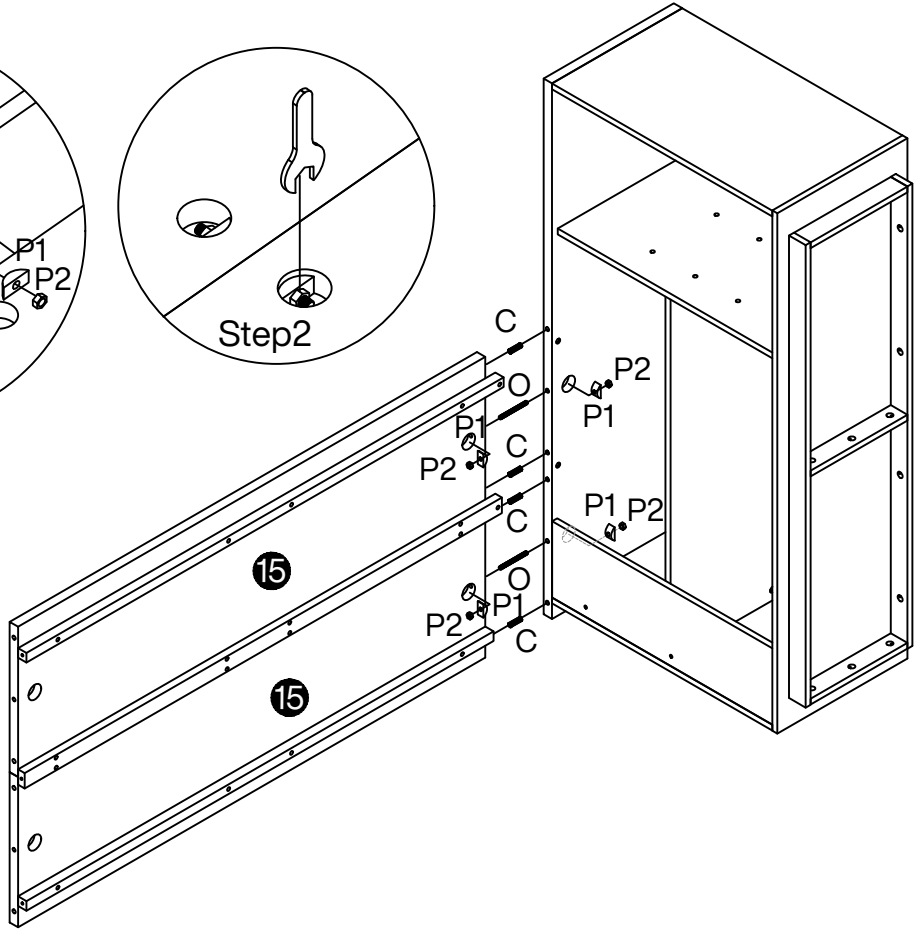
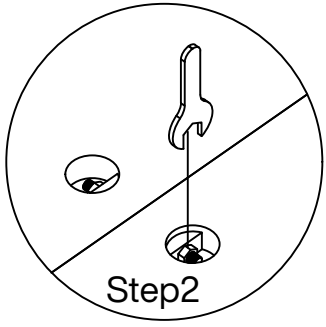
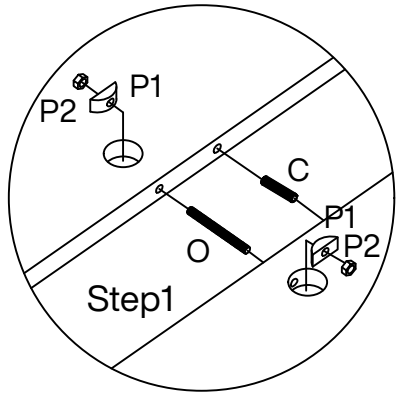
I  
8pcs



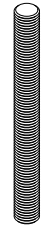
J  
8pcs



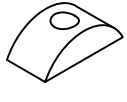
# 20



C  
4 pcs



O  
2 pcs

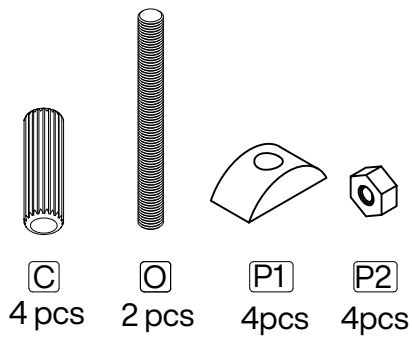
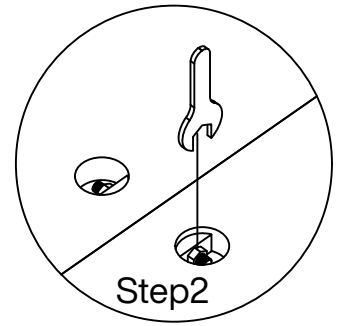
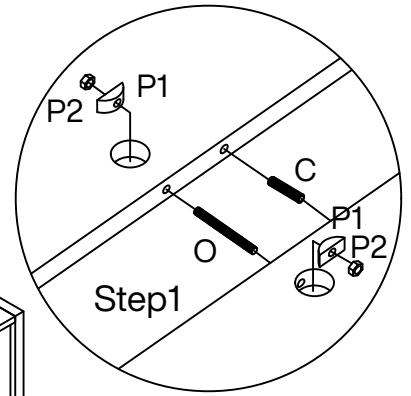
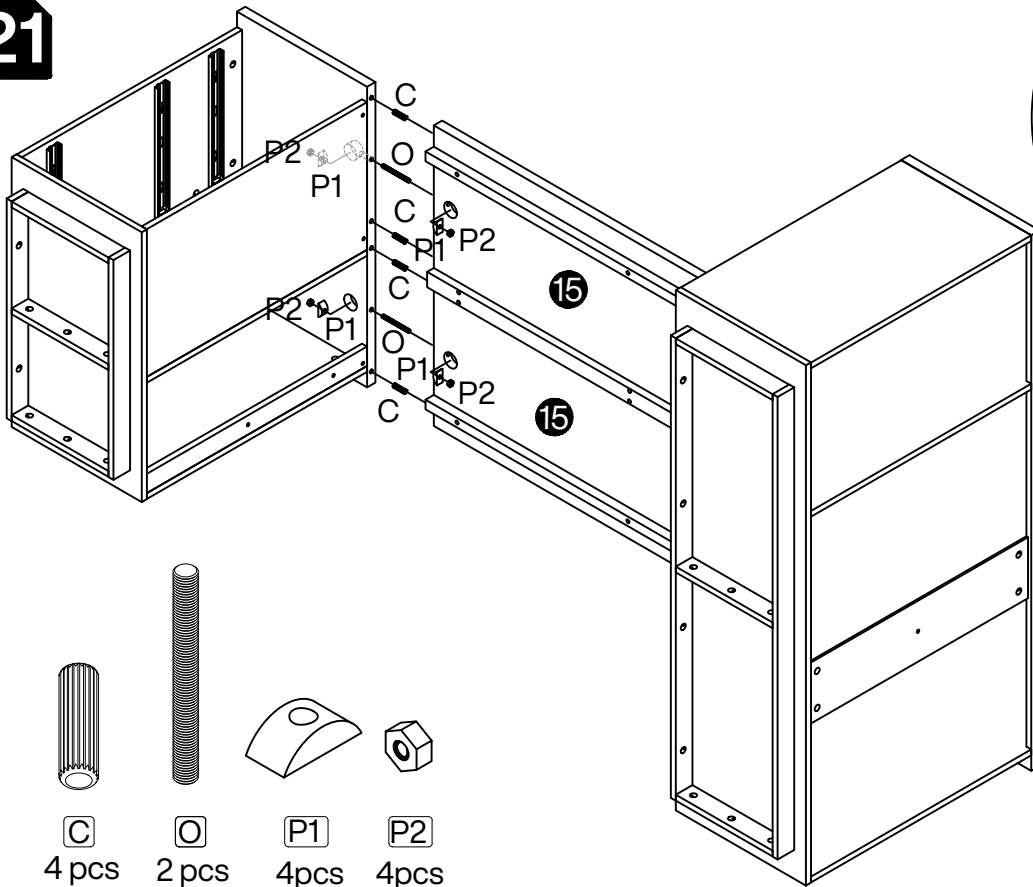


P1  
4 pcs

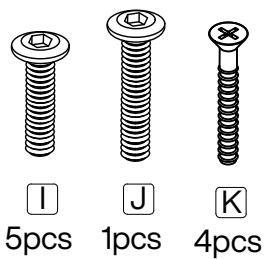
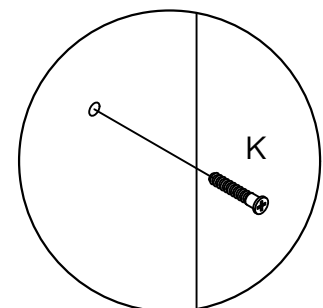
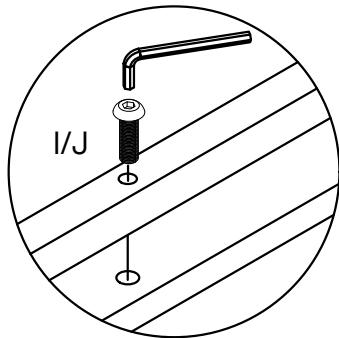
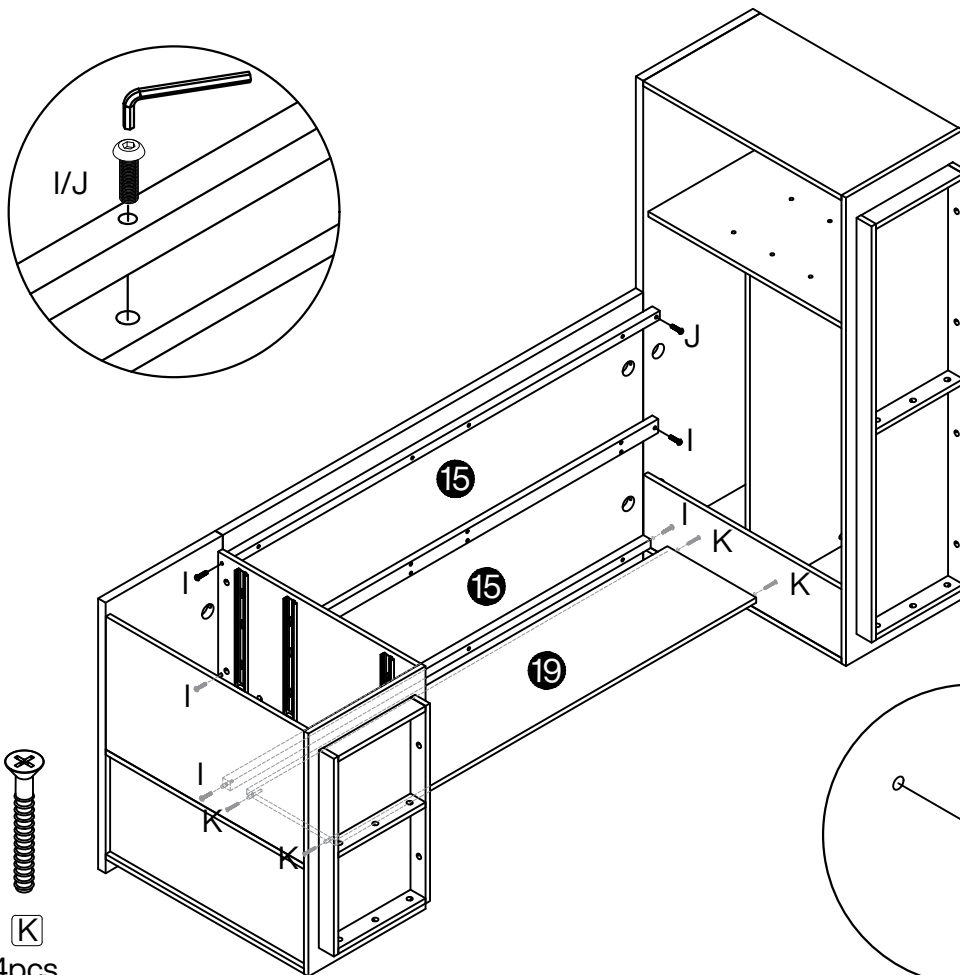


P2  
4 pcs

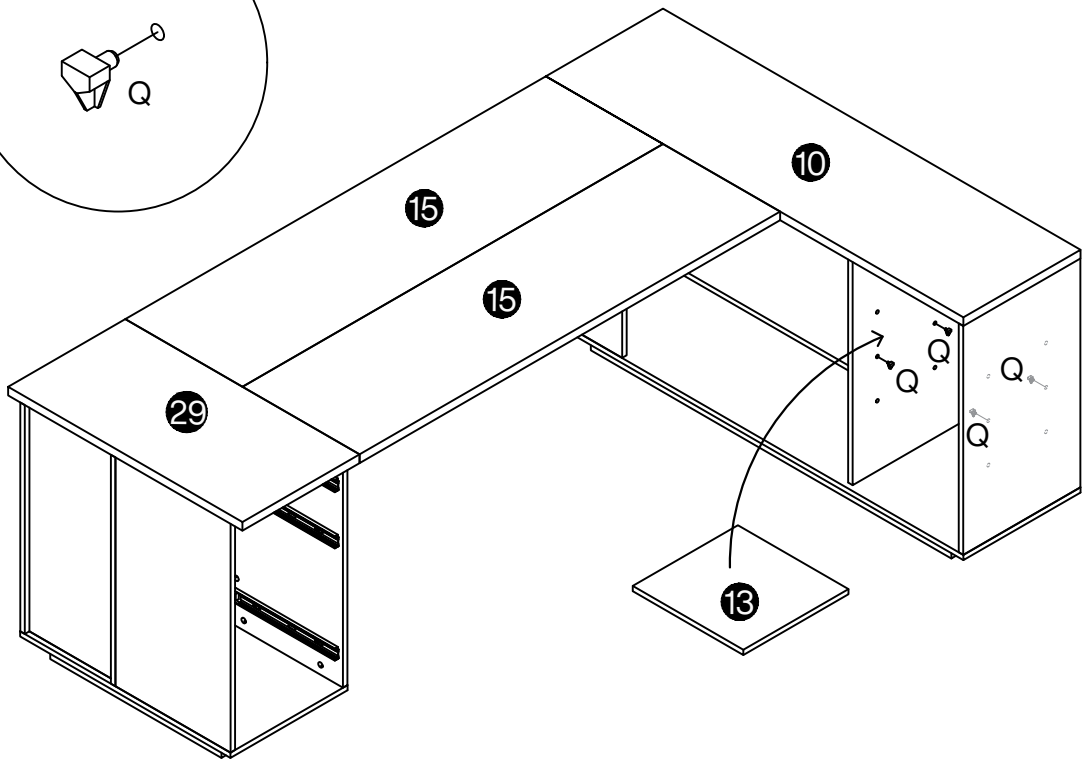
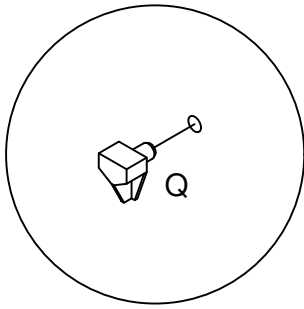
21



22

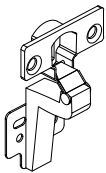
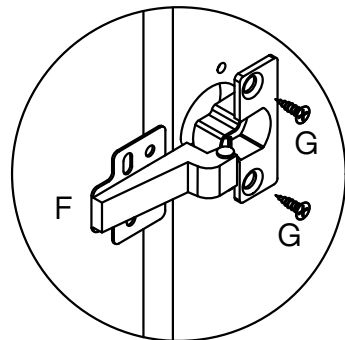
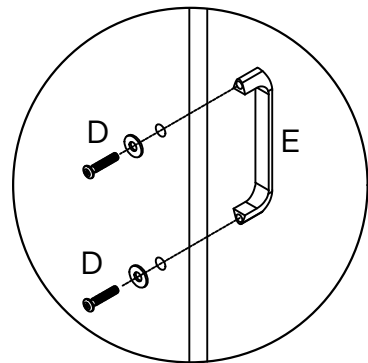
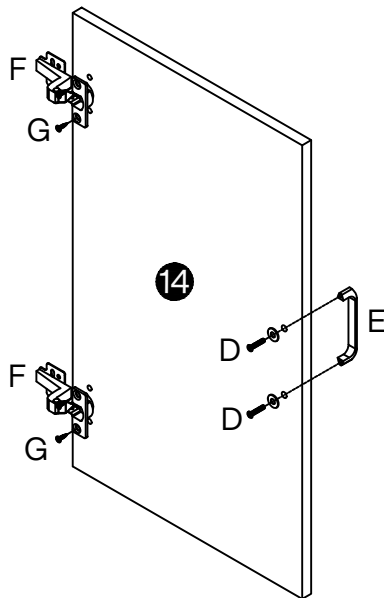


23



Q  
4 pcs

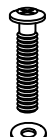
24



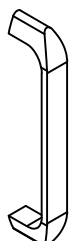
F  
2 pcs



G  
4 pcs

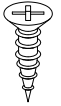
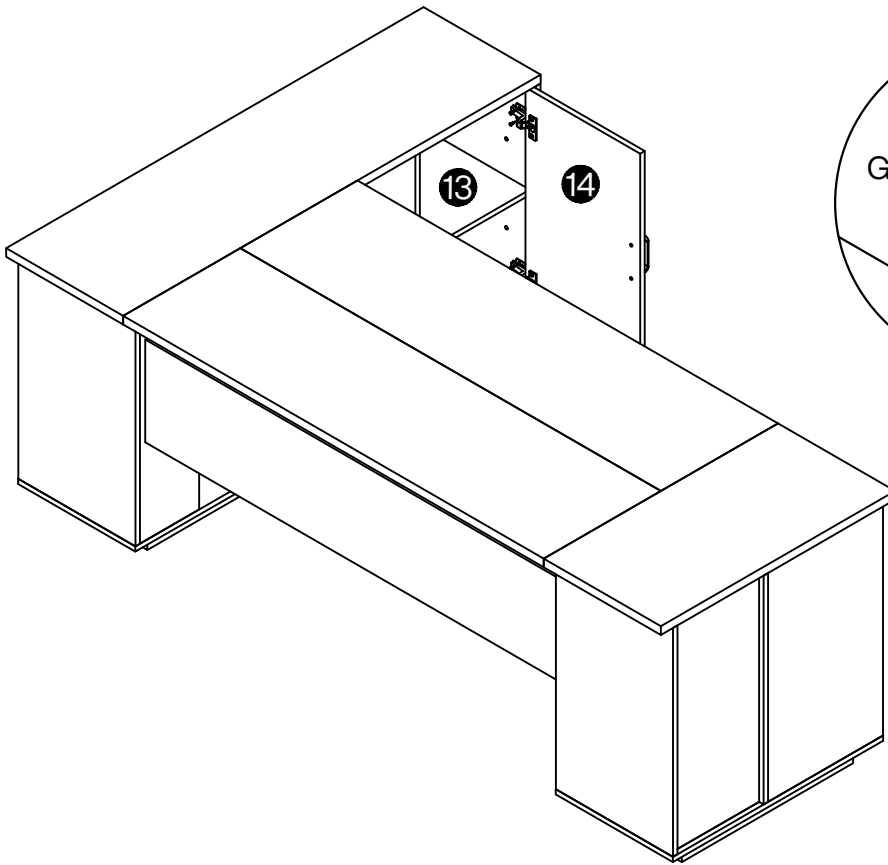


D  
2 pcs



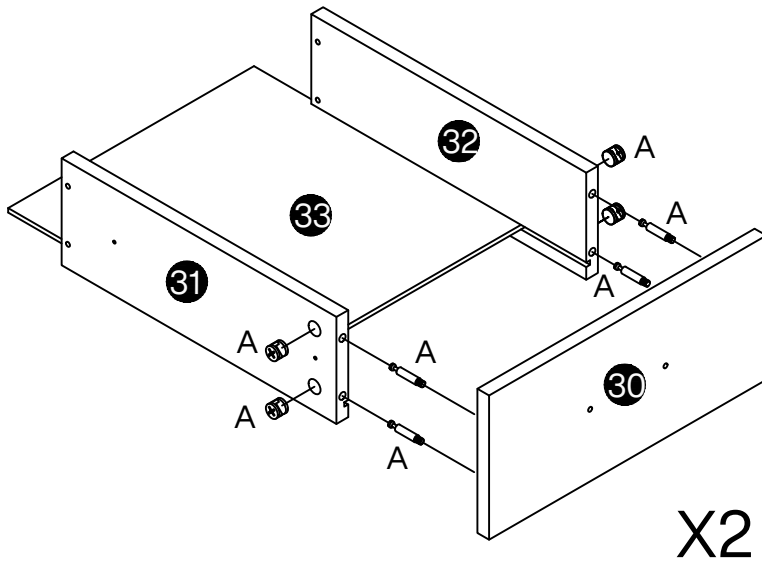
E  
1 pcs

25

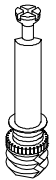


G  
8 pcs

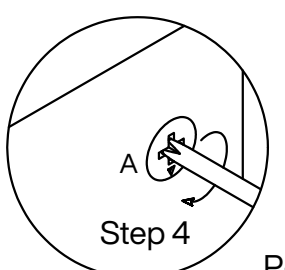
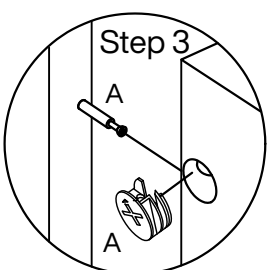
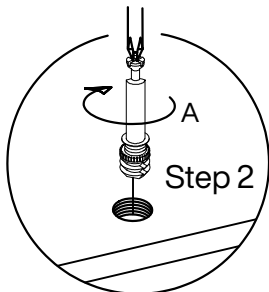
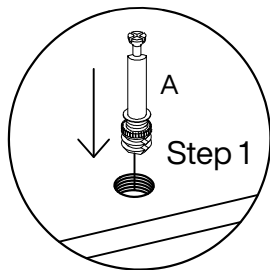
26



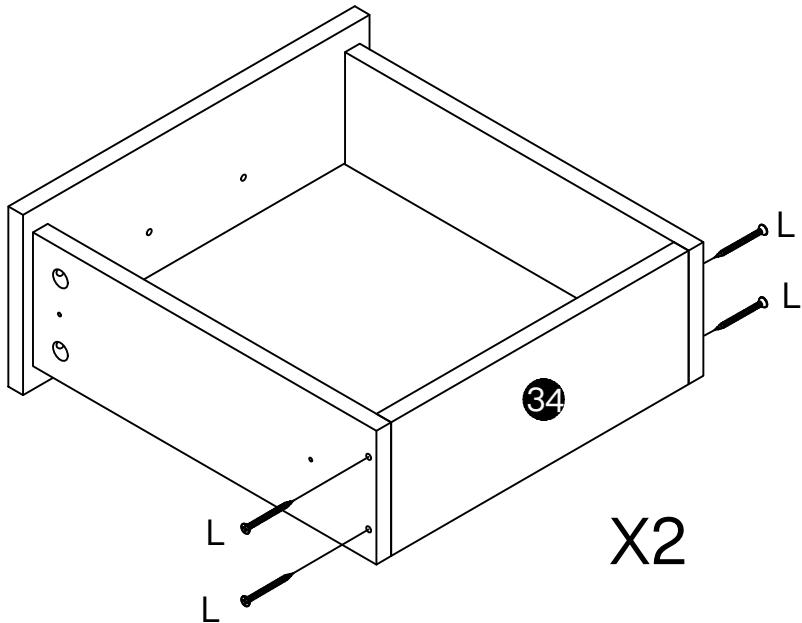
X2



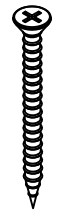
A  
4 pcs



27

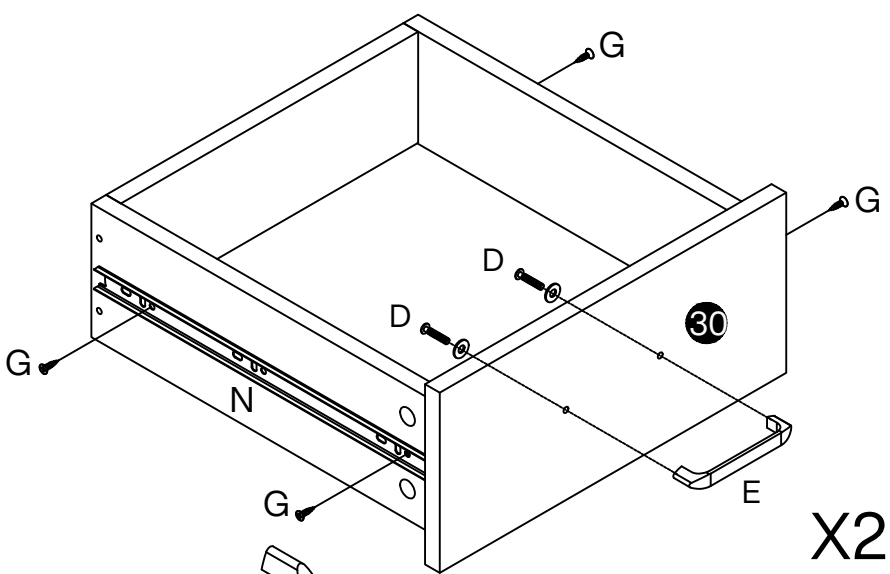


X2



4pcs

28



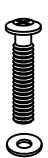
X2



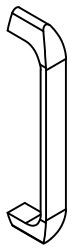
4 pcs



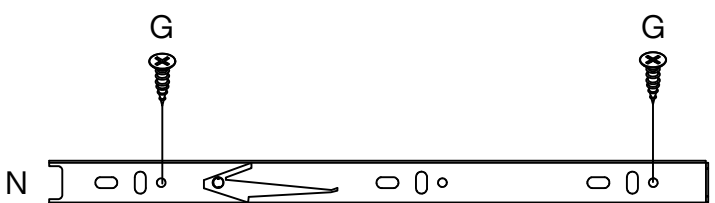
1 pcs



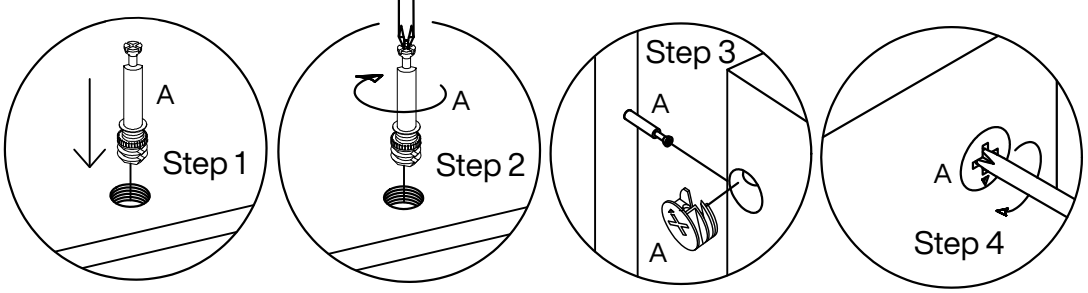
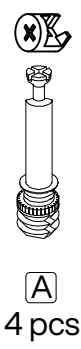
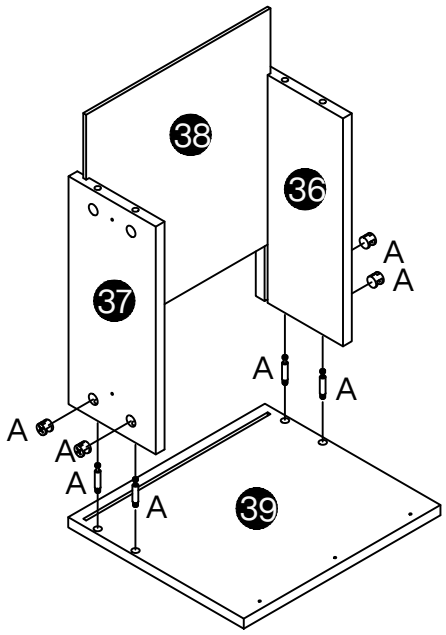
2 pcs



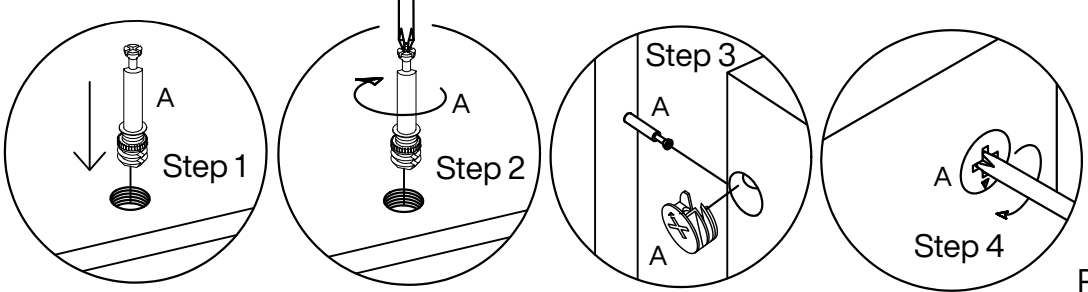
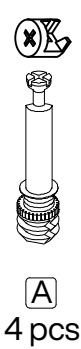
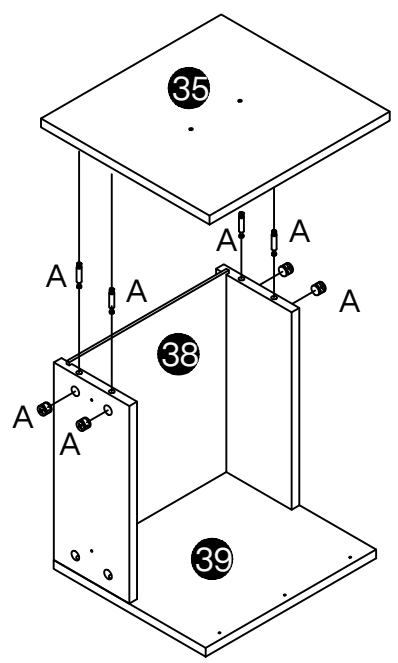
1 pcs



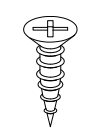
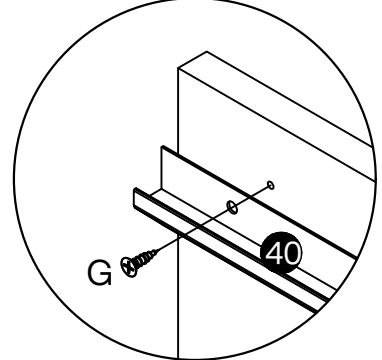
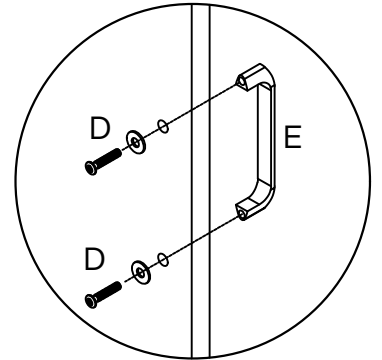
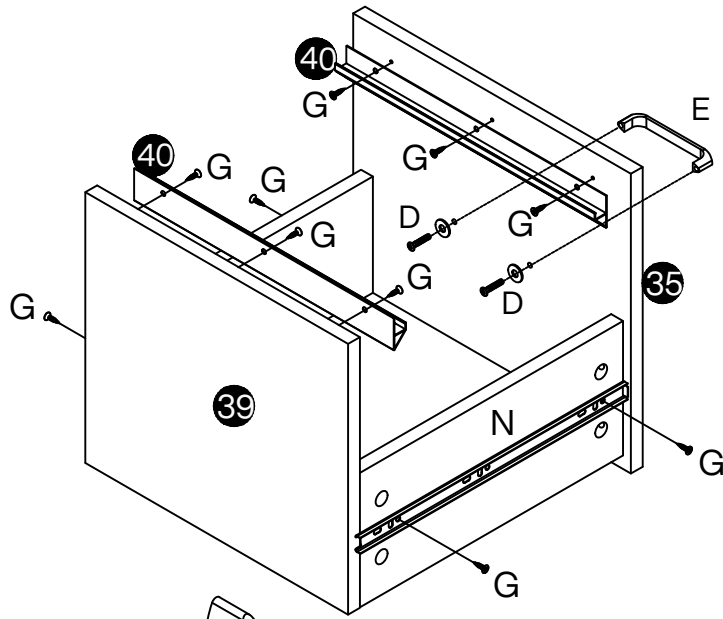
# 29



# 30



# 31



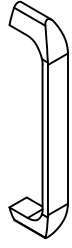
G  
10 pcs



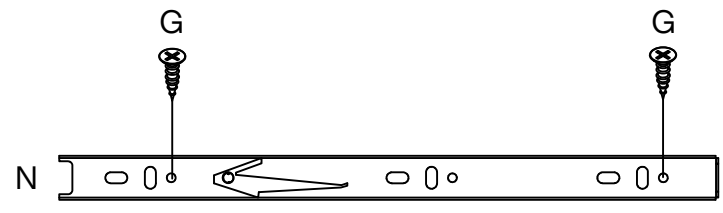
N  
1 pcs



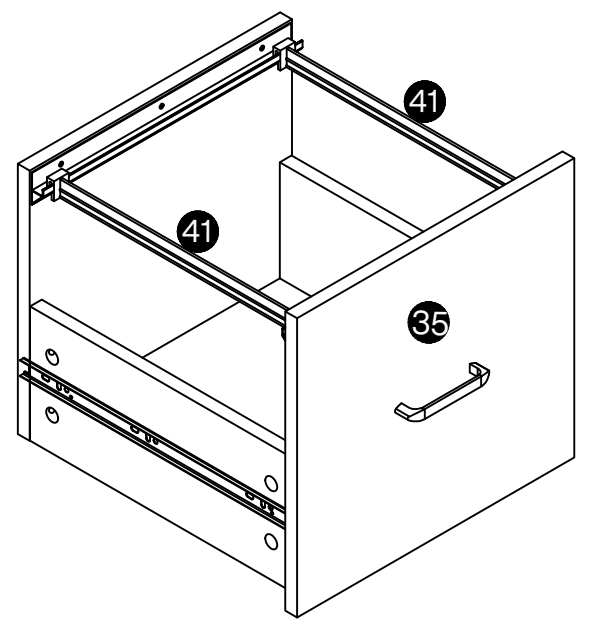
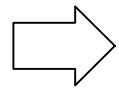
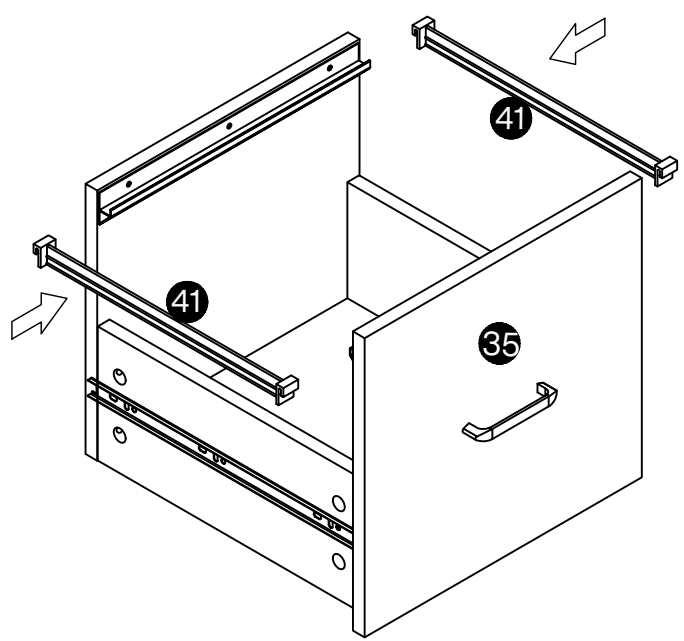
D  
2 pcs



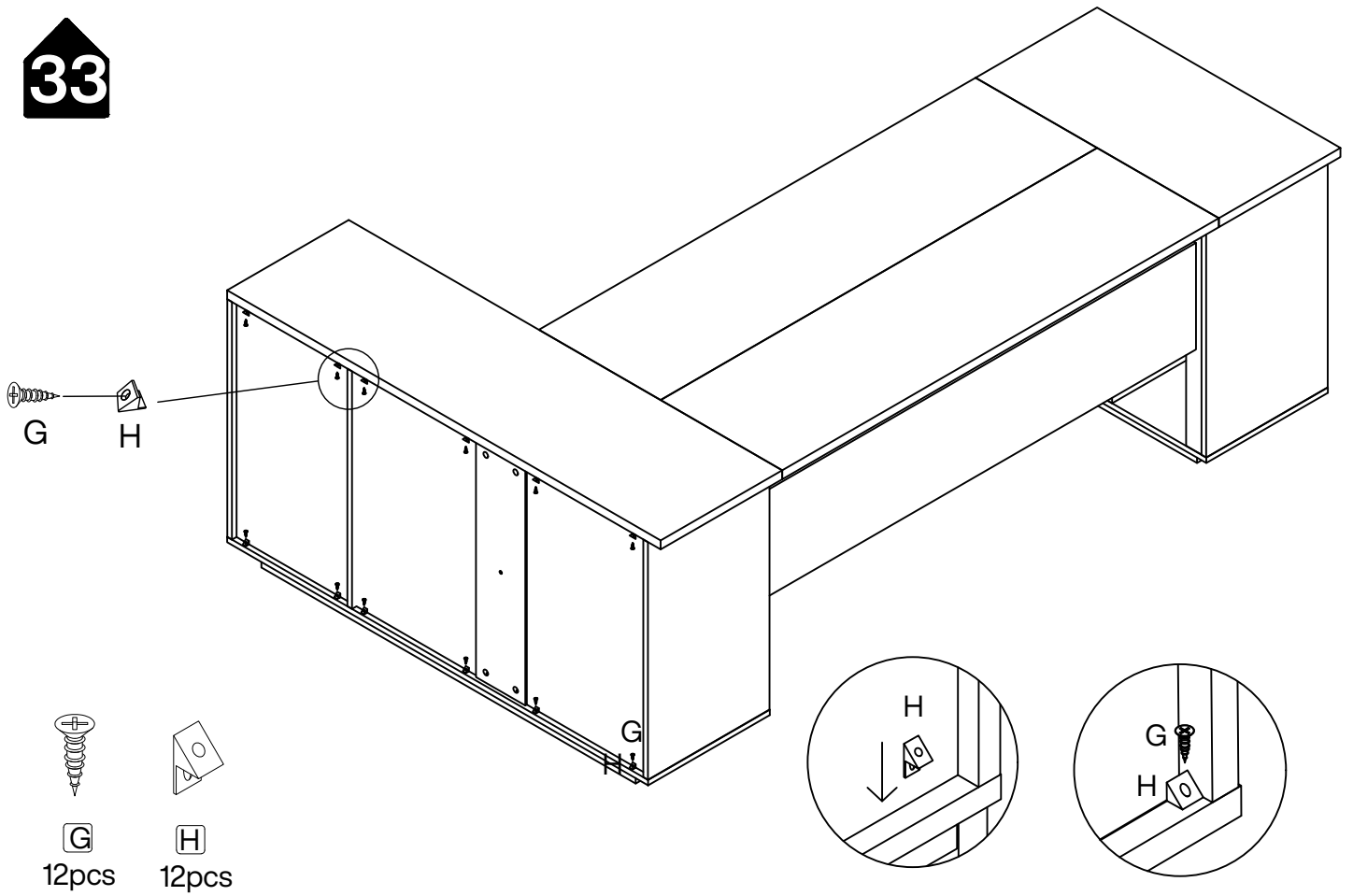
E  
1 pcs



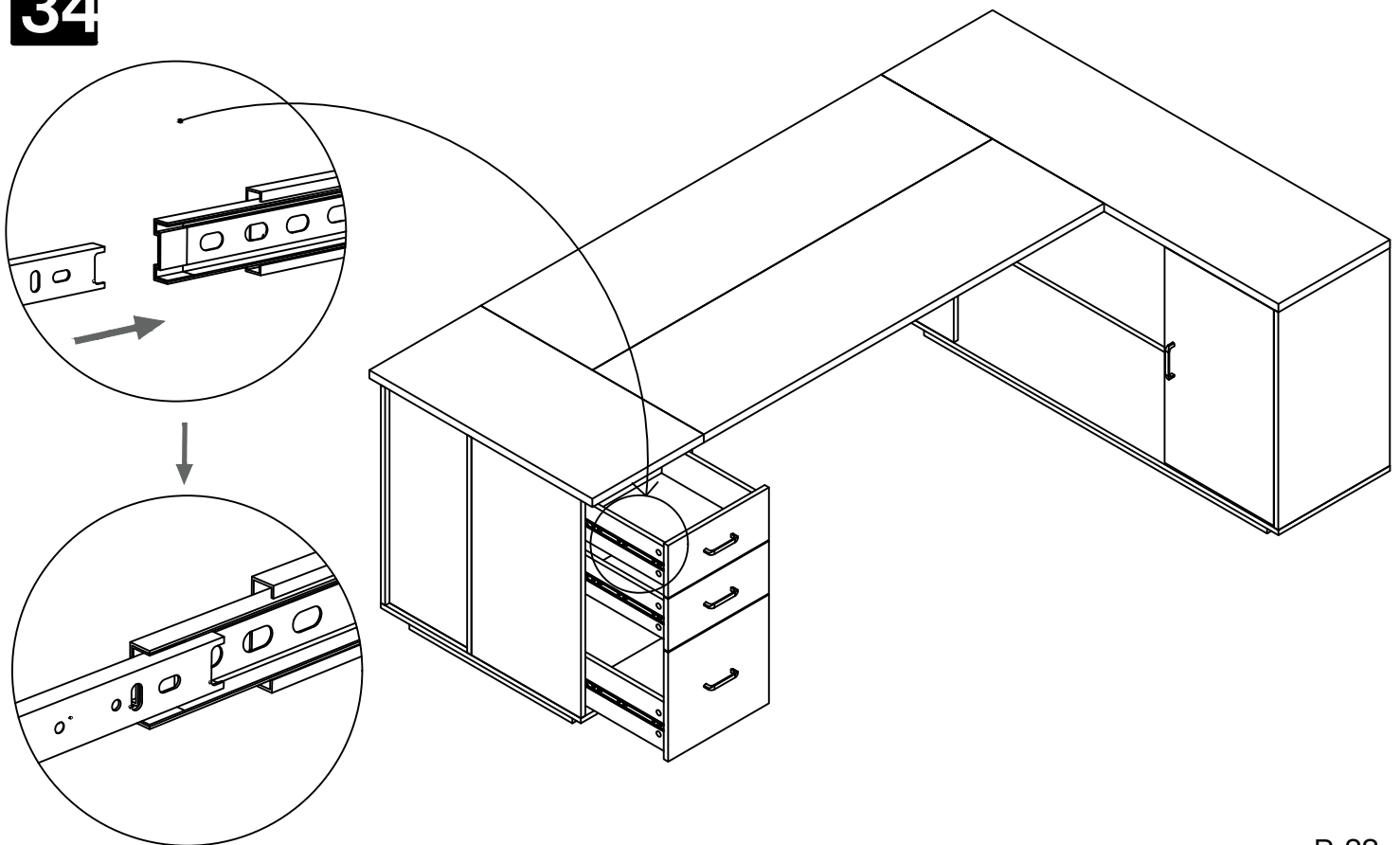
# 32



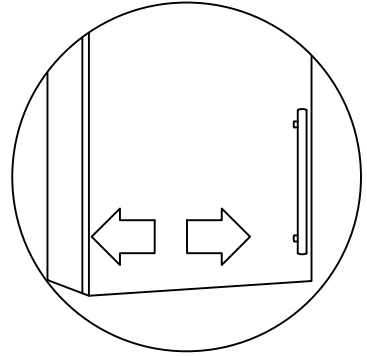
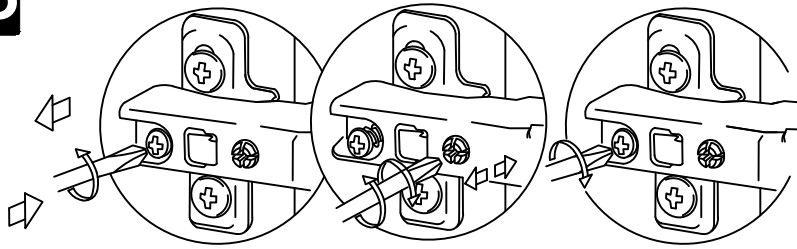
33



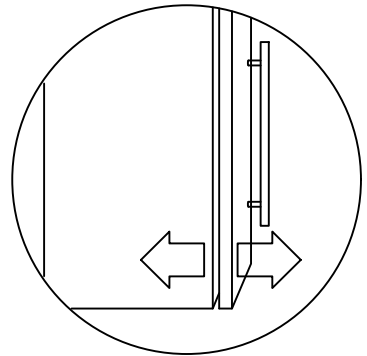
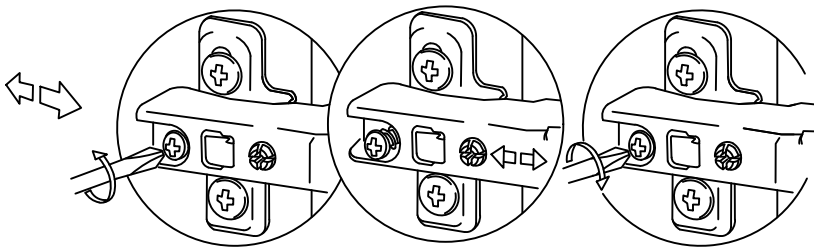
34



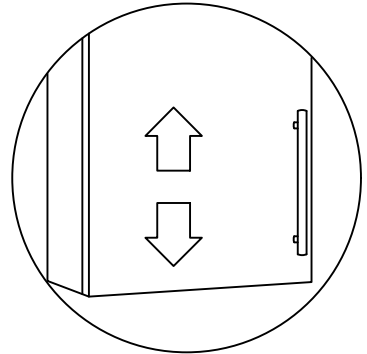
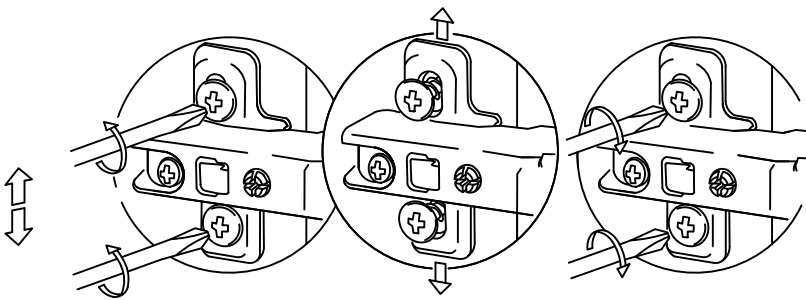
35



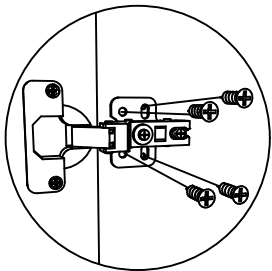
Screw off to fix the door left and right



Screw off to fix the door front and back



Screw off to fix the door up and down



To prevent the door hinge from falling off, please install 4 screws

Hinges adjustment(Please adjust the hinges when the cabinet doors are not level or couldn't be closed)

**Thank you for your support !**

