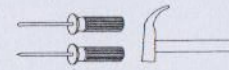
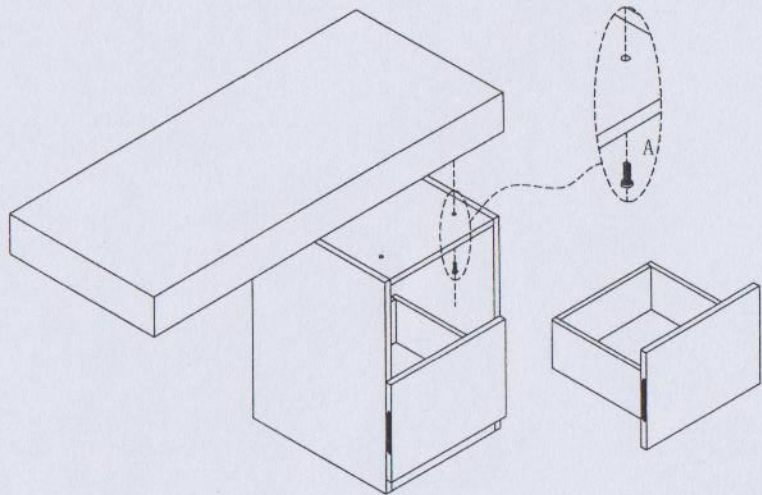


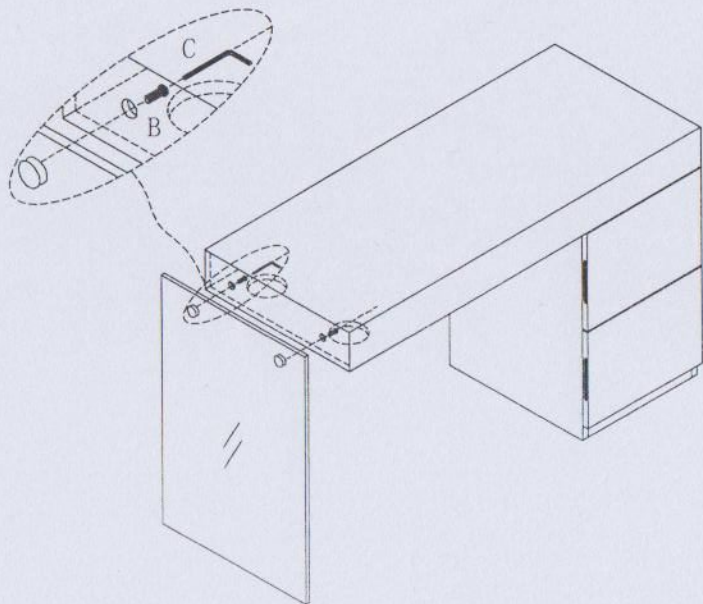
# ASSEMBLY INSTRUCTION (1/1)



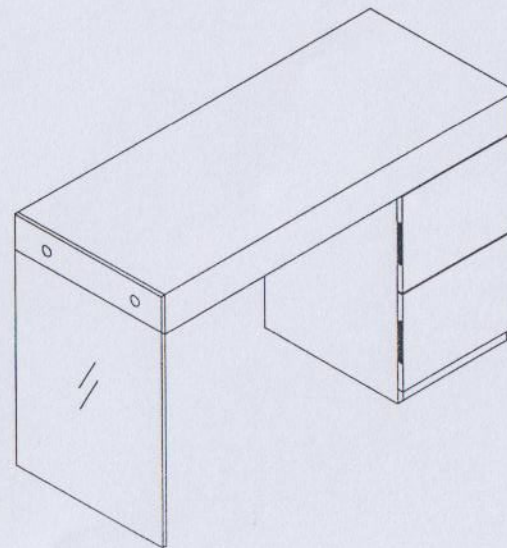
USING TOOLS



①



②



OK

DESC		SPEC	QTY
A		M6*25	4
B		M6*15	2
C		M4	1