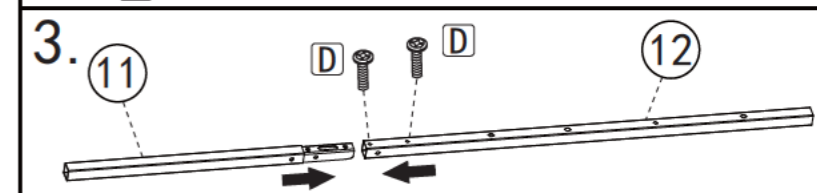
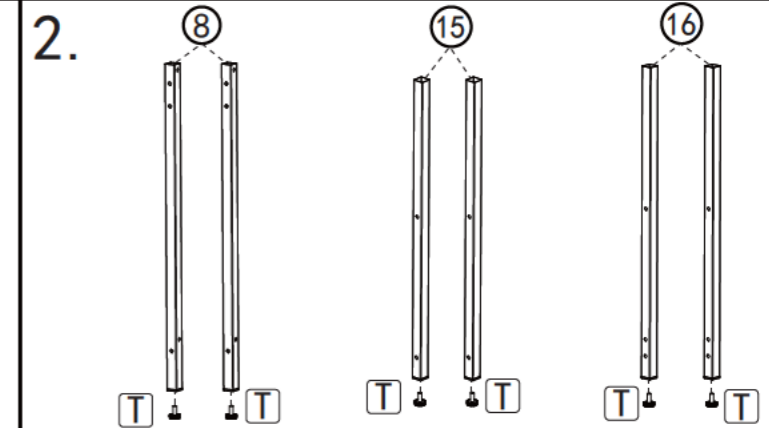
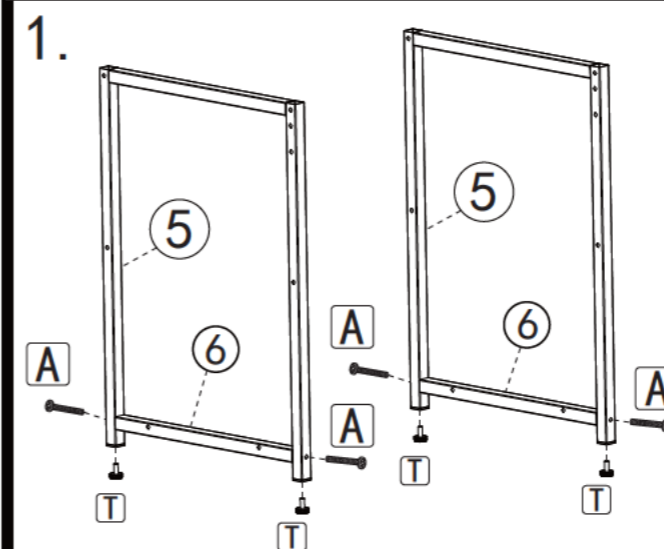


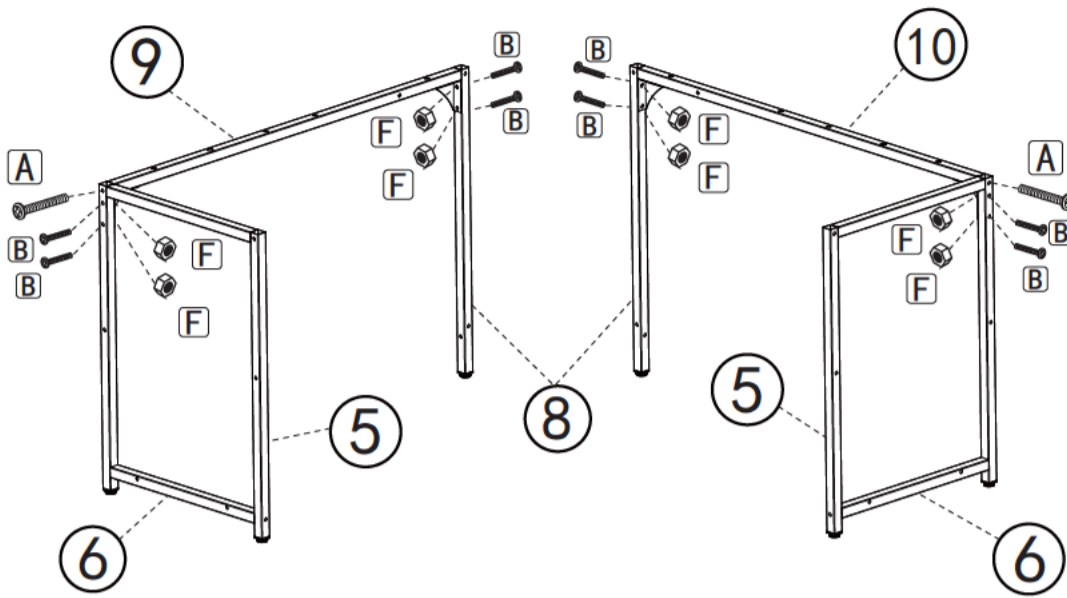
①x1 	②x2 	③x2 	④x2 	⑤x2 	⑥x2
⑦x2 	⑧x2 	⑨x1 	⑩x1 	⑪x1 	⑫x1
⑬x1 	⑭x1 	⑮x2 	⑯x2 	⑰x1 	⑱x1
A x18 M6X45	B x28 M6X35	C x16 M6X45	D x2 M6X10	E x12 M6	
G x2 	T x10 	U x4 Φ 8x40mm			



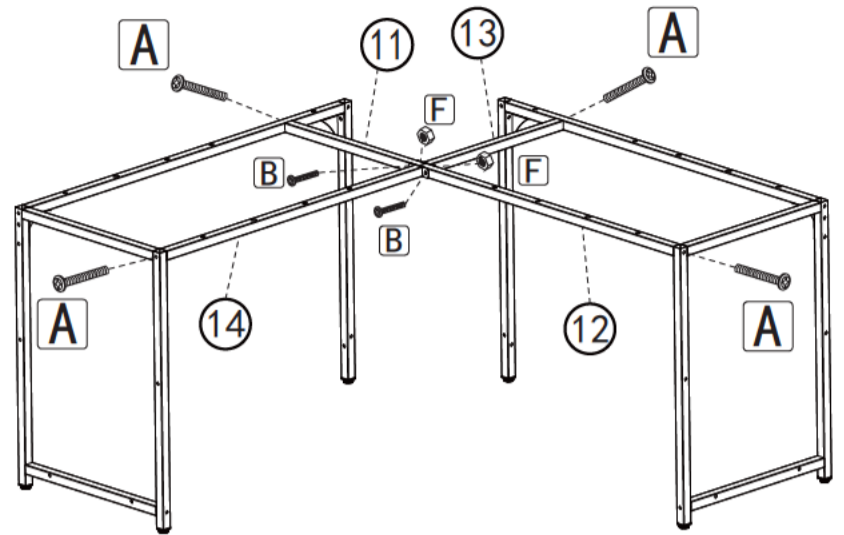
Installation tips:

Align the fittings and accessories when installing the frame, then tighten the screws.
When installing the board, first screw all the screw holes and tighten them.

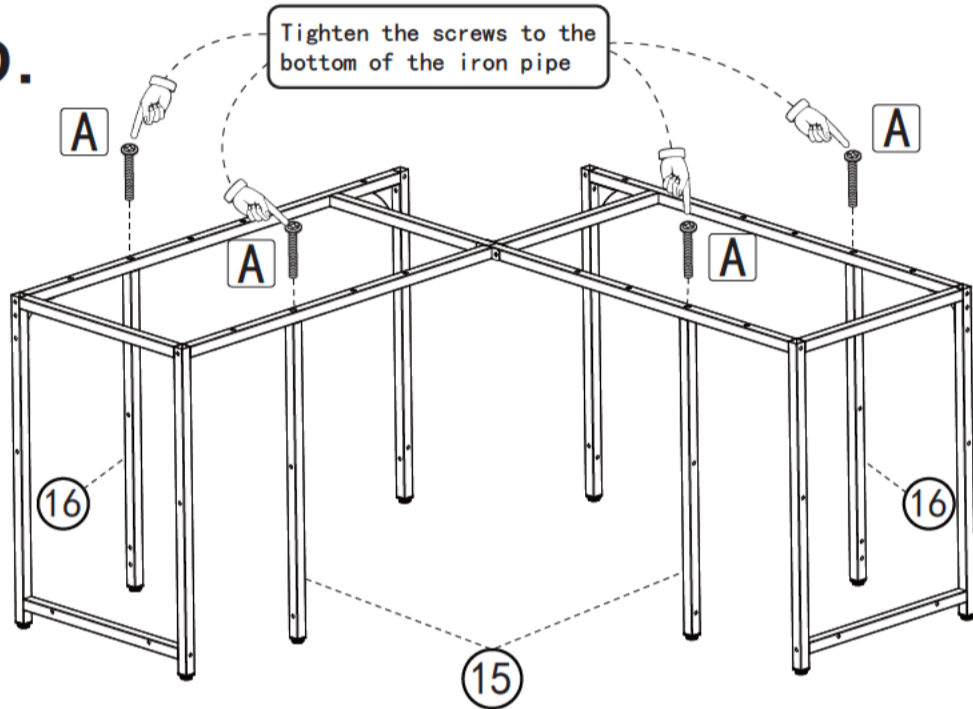
4.



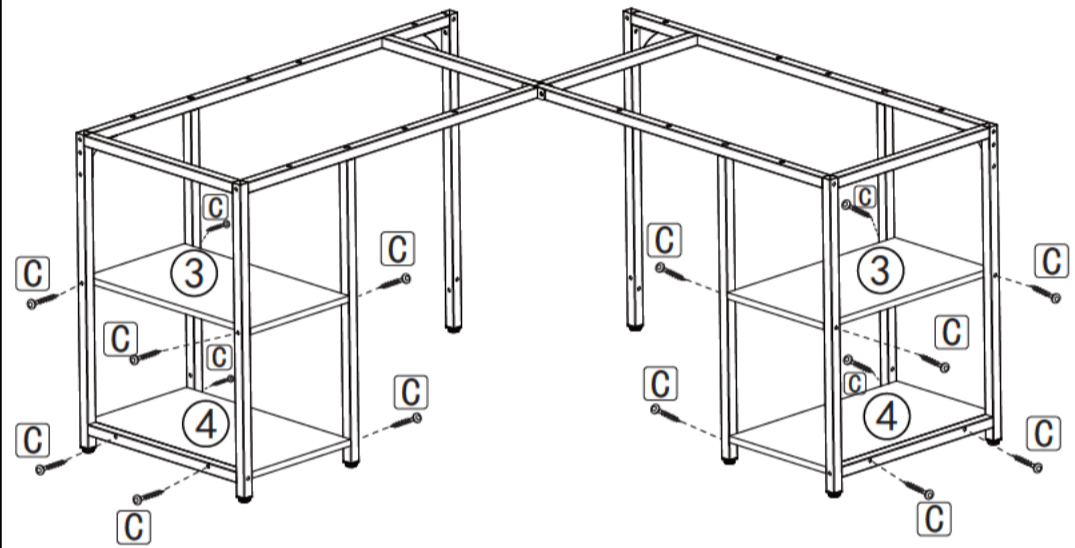
5.



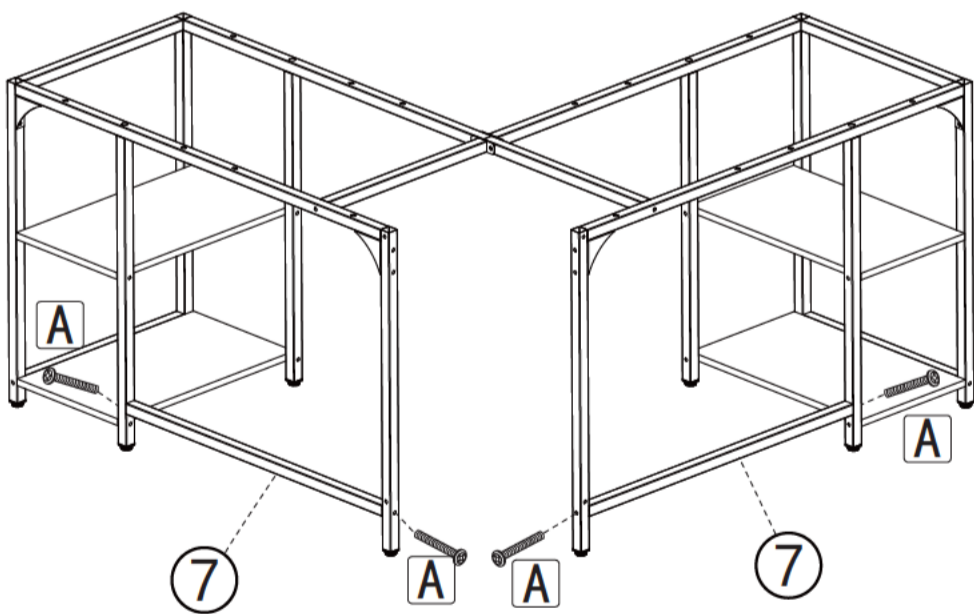
6.



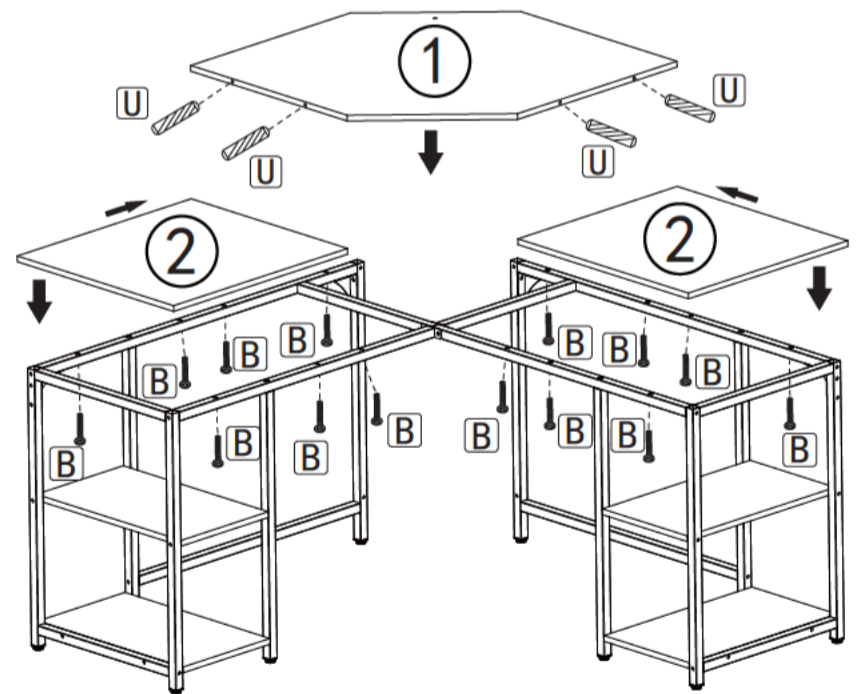
7.



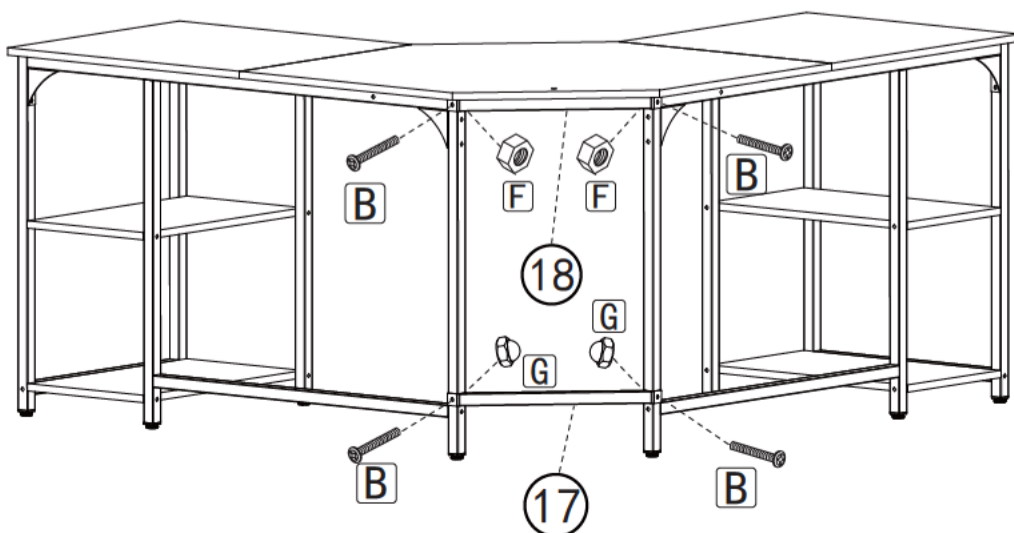
8.



9.



10.



11.

Finally, tighten all the screws.

