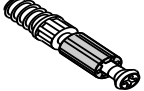


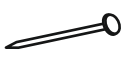





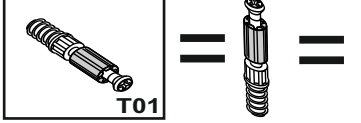
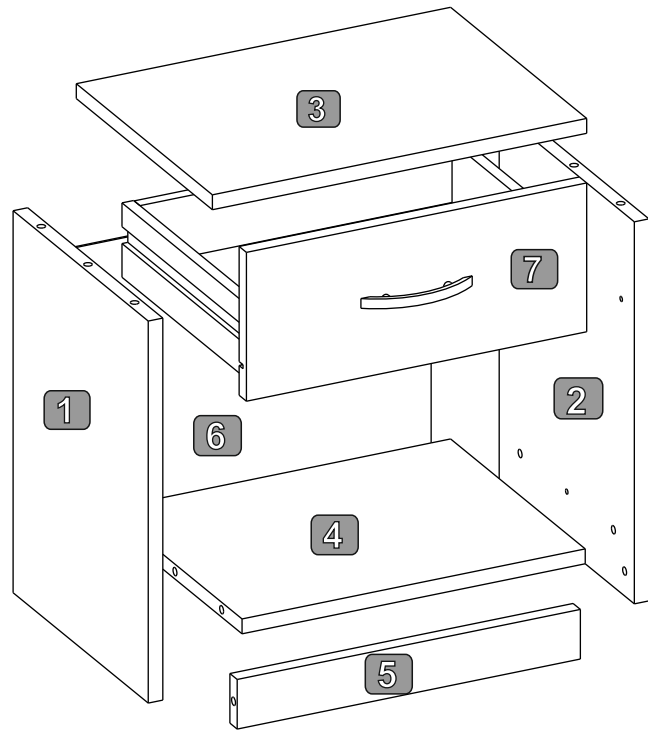
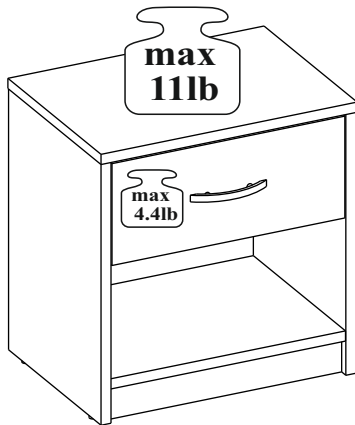
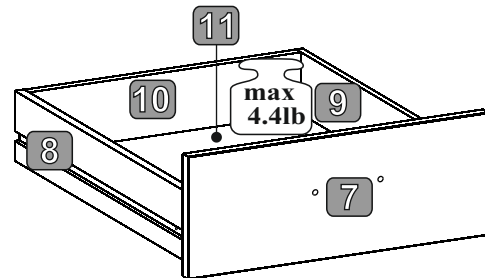
 <b>4x T02</b>	 <b>4x T01</b>	 <b>18x D01</b>	 <b>4x S01</b>	 <b>15x G01</b>	 <b>1x L01</b>
 <b>1x U01</b>	 <b>2x W05</b>	 <b>2x P02</b>	 <b>2x U02</b>		

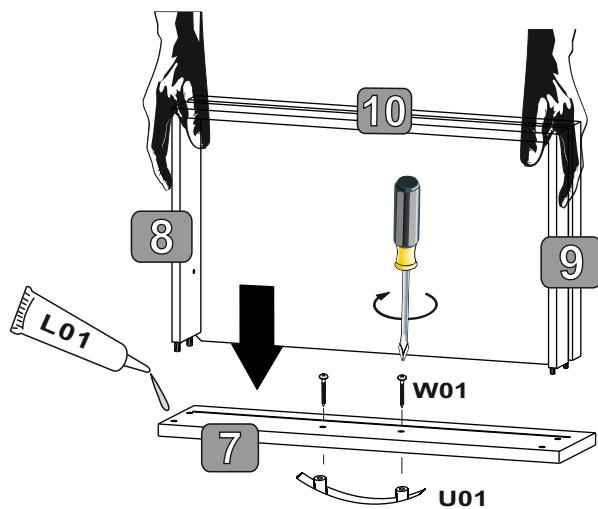
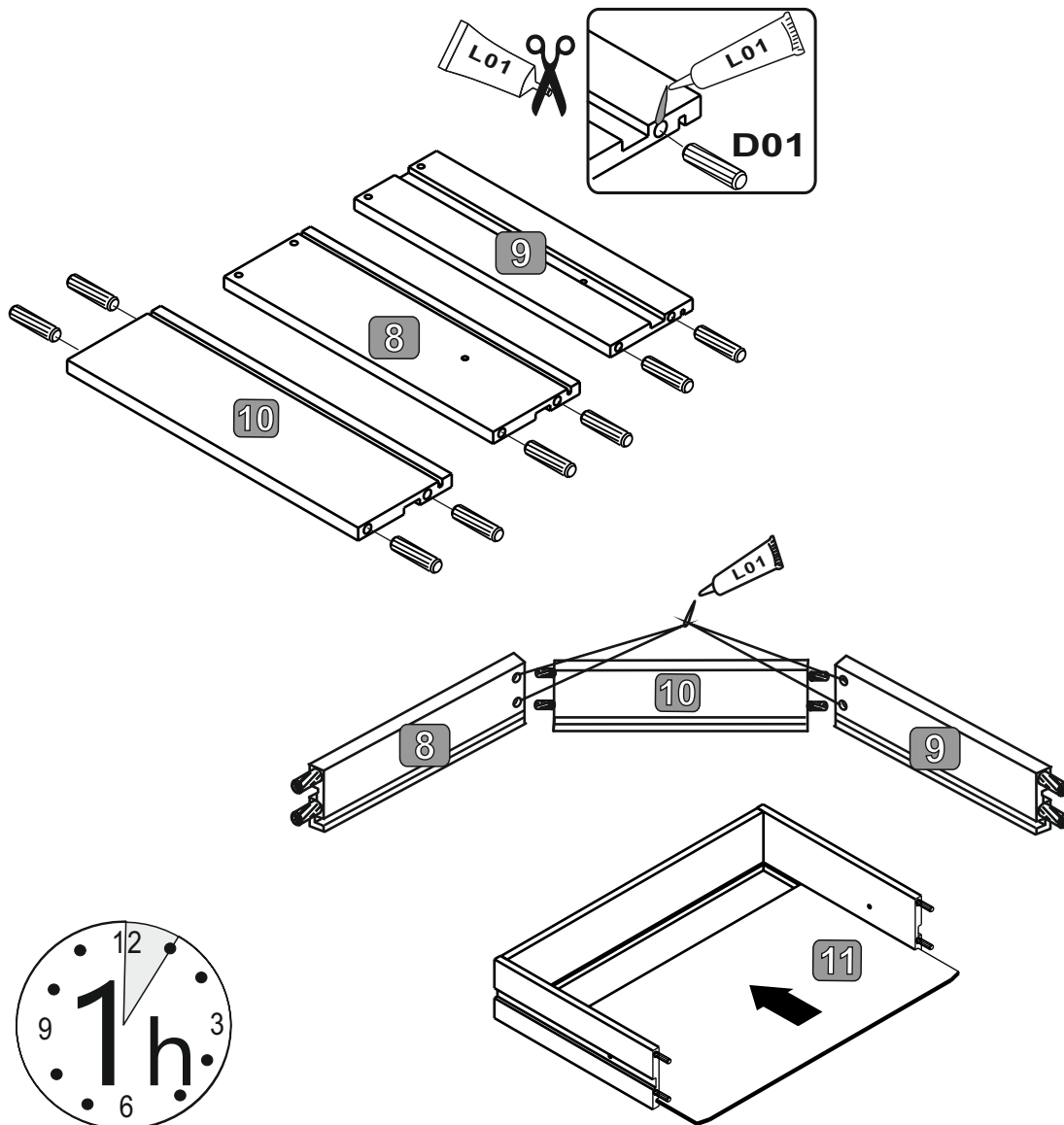
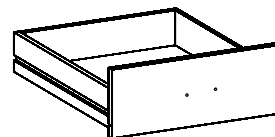


NO	DIMENSION(in)	QTY	PACKAGE
1	15.15x10.94x0.59	1	1/1
2	15.15x10.94x0.59	1	1/1
3	15.15x11.02x0.59	1	1/1
4	13.89x10.90x0.59	1	1/1
5	13.89x1.92x0.59	1	1/1
6	14.96x11.02x0.07	1	1/1
7	13.66x5.86x0.59	1	1/1
8	9.68x2.95x0.47	1	1/1
9	9.68x2.95x0.47	1	1/1
10	12.63x95x0.47	1	1/1
11	13.07x246x0.07	1	1/1


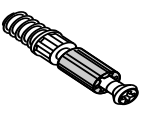
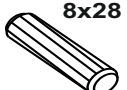
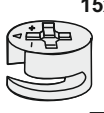


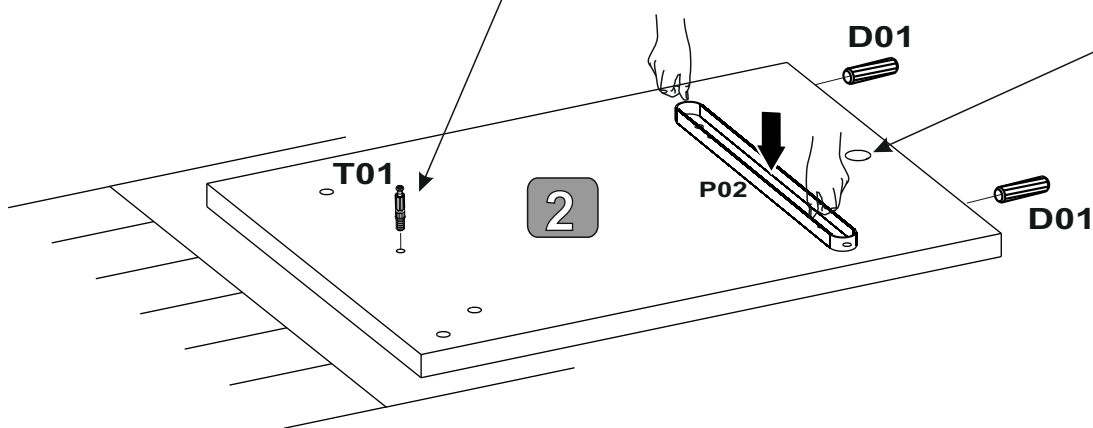
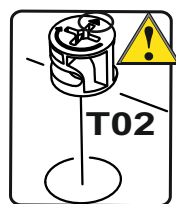
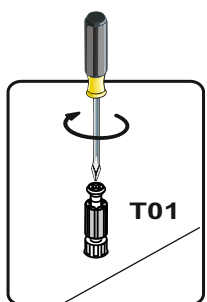
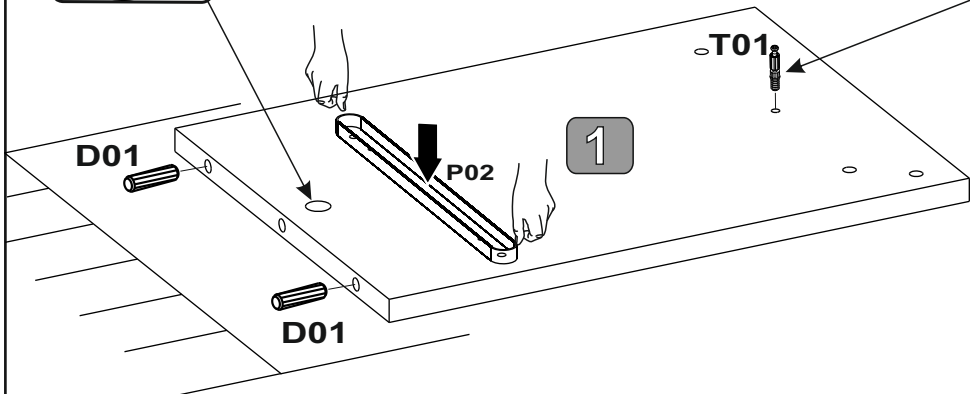
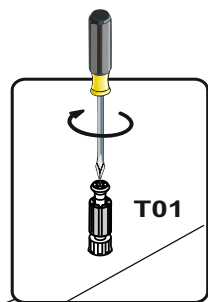
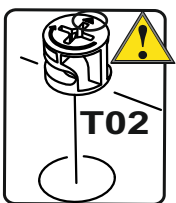
1

1x	L01	8x	8x28	D01	1x	U01	2x	4x25	W05
----	-----	----	------	-----	----	-----	----	------	-----

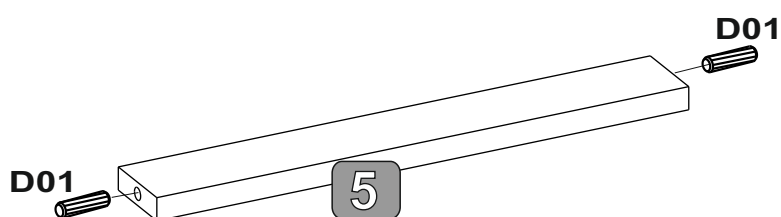
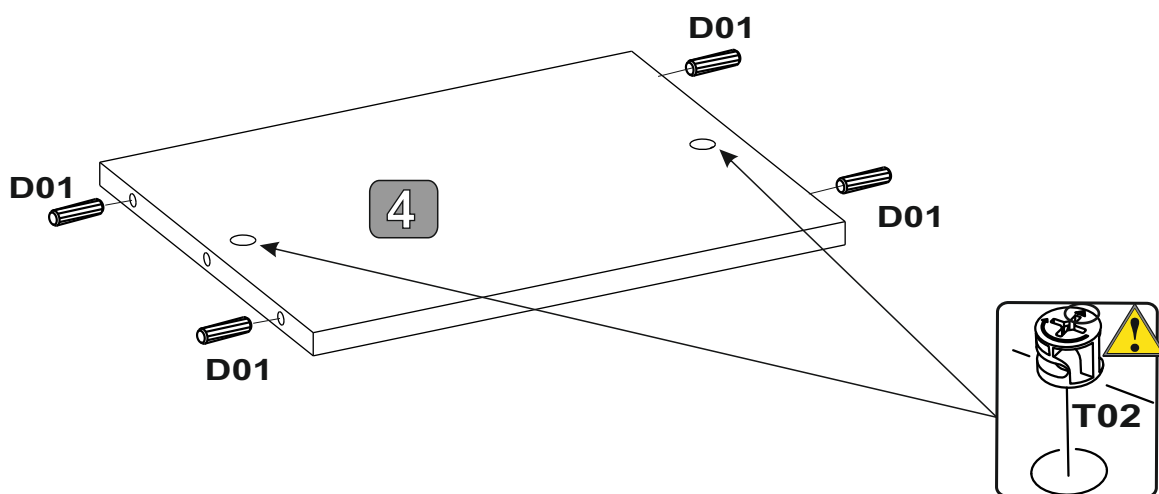
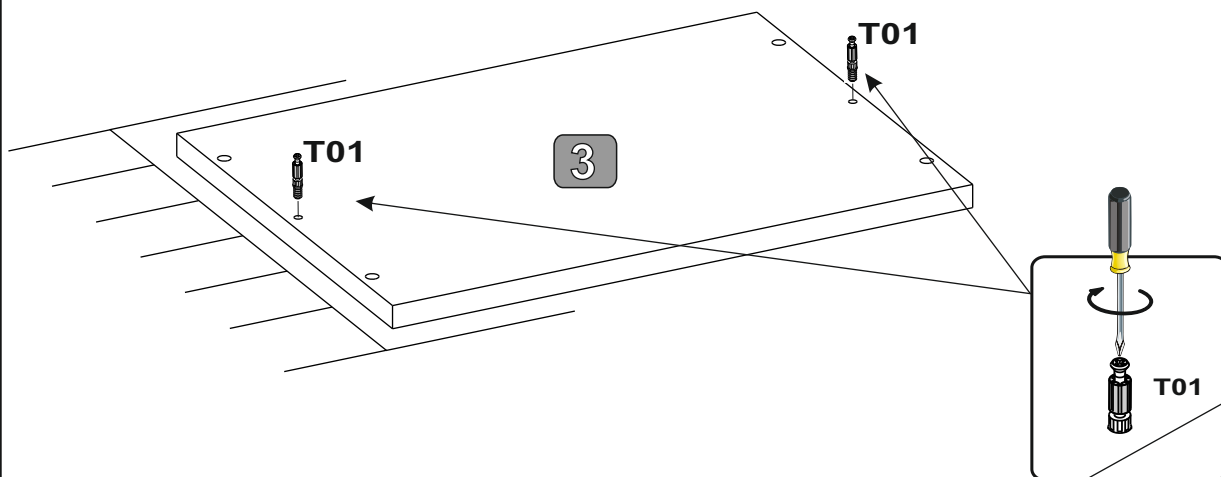
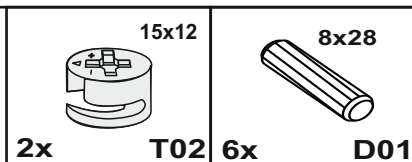


2

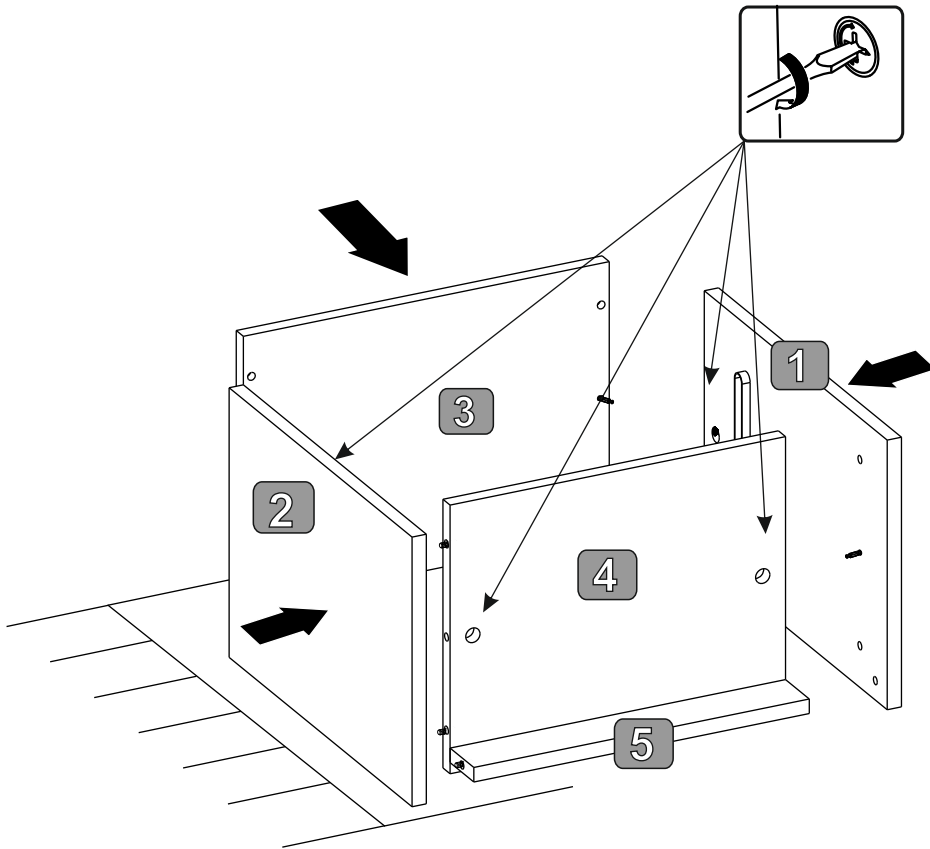
- |    |   |    |   |    |   |    |  |
|----|---|----|---|----|---|----|--|
| 2x |  | 2x |  | 4x |  | 2x |  |
|    | P02   |    | T01   |    | D01   |    | T02  |



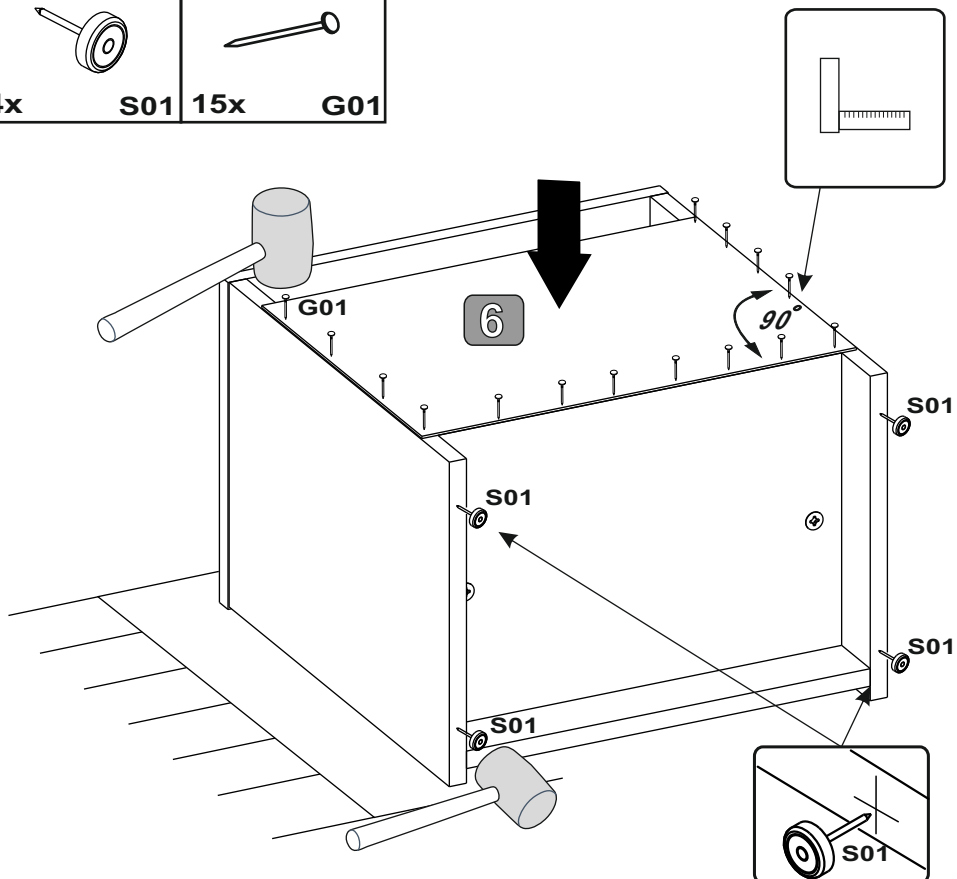
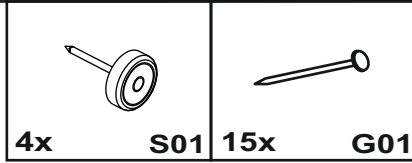
3



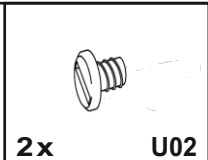
4



5



6



2x

U02

