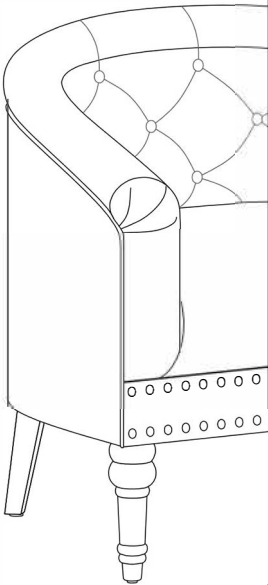


# Owner Manual



# WARRANTY

We strive to offer high quality product and we also try our best to satisfy each customer that order from us, no matter on products or services as needed. Each customer receives a record of their order, such as the order number or item receipt. For any items that are out of warranty period, you may still be able to purchase the replacement parts from our company if they are available.



# MAINTENANCE AND WARNING

Please read the manual thoroughly  
before you start installing.

Please keep the product away from  
sharp object.

Packaging and small parts may have  
chocking hazard, please keep them away  
from children and pets.

Please clean the product according to each  
clean code, check the product description  
for more information.

Please keep the product away from  
fire.

If you have any other questions, please  
contact us, we will be glad to help you out.

If the product is placed under direct  
sunlight, the pattern or color might fade  
away overtime.

Check the product periodically to make  
sure everything is secured and tightened.

Always use proper tools for installation.

Do not jump on the product.



Around 15 min

# PRODUCT DESCRIPTION

With its tufted Diamond design, it offers a refreshing air of sophistication to your home.

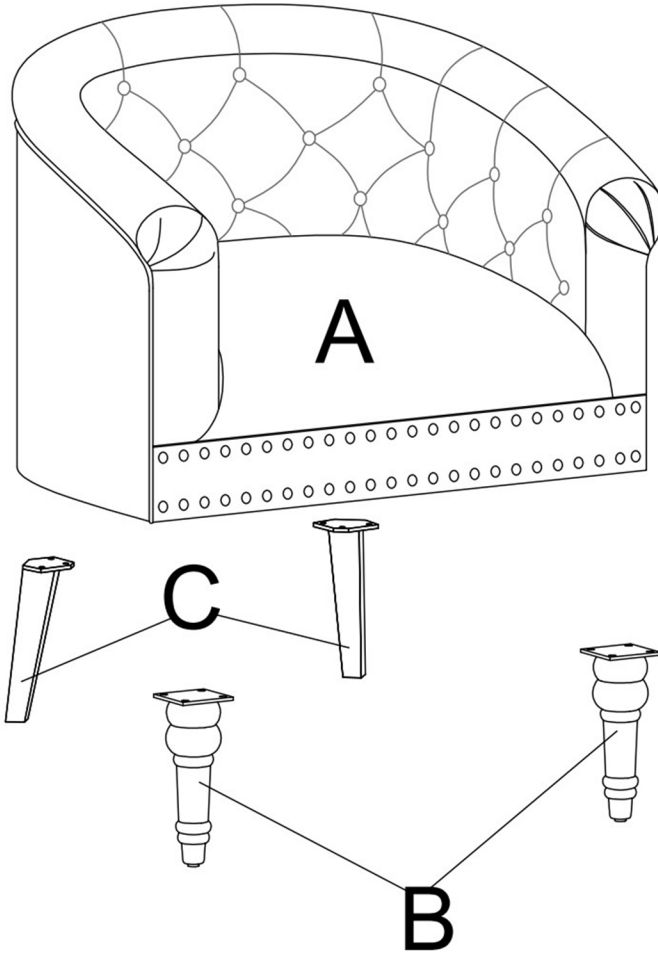
This relaxing armchair will make a statement in any room it resides in.

the delightful charm that the lovely contemporary style embodies.

Set it in your living room, office, bedroom, or sitting room. Its handsome brown color will complement most Furniture sets.

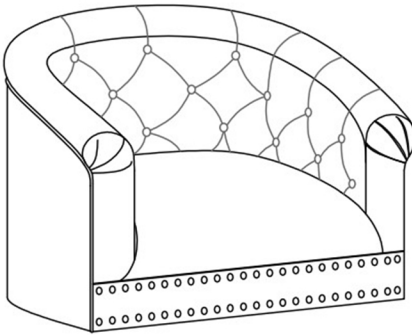
It is constructed with a high-quality sturdy wood frame that lasts long.

# EXPLODED VIEW



# PARTS

A\*1



Back frame

B\*2



Front legs

C\*2



Rear legs

# HARDWARE

## TOOL LIST

NOTE: Designated with (★) We provide additional spare parts in the hardware package

①\*14



★ Bolt

②\*1

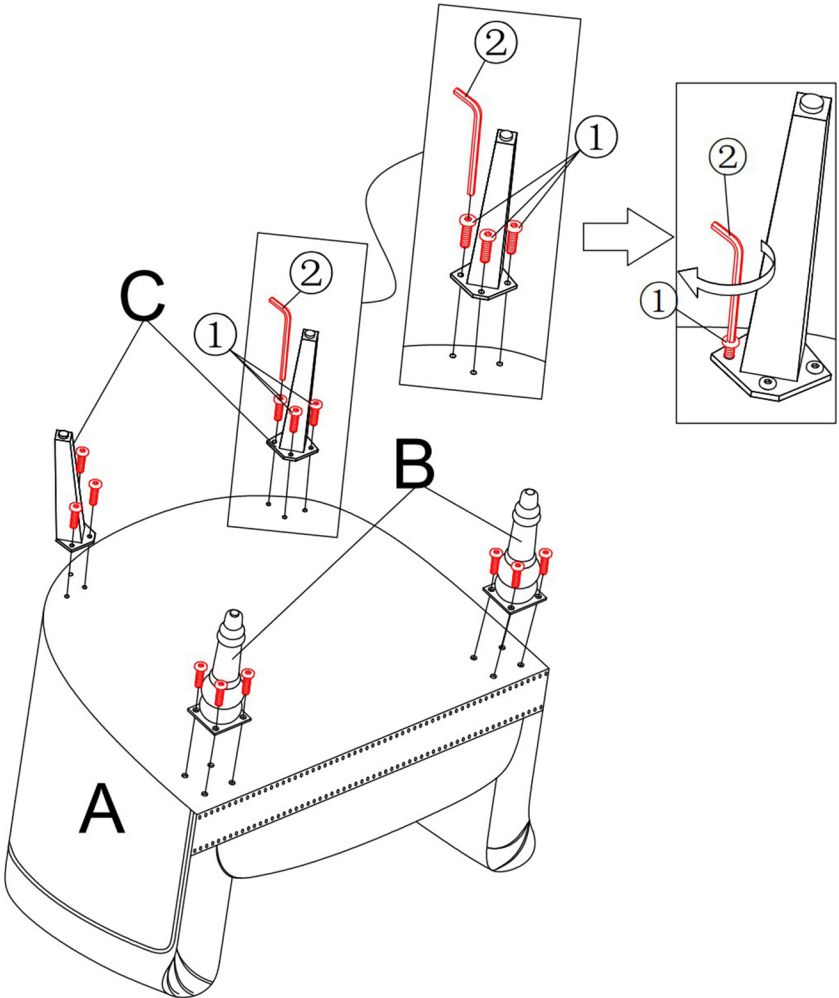


Allen key

Please make sure all hardware&packing material fitting the list. Especially some small accessories may be missing during transportation. Please contact us if you have any question.

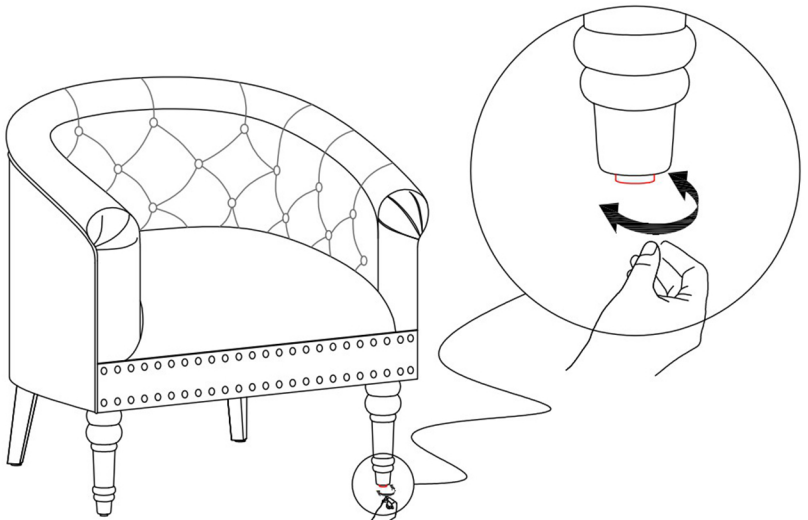
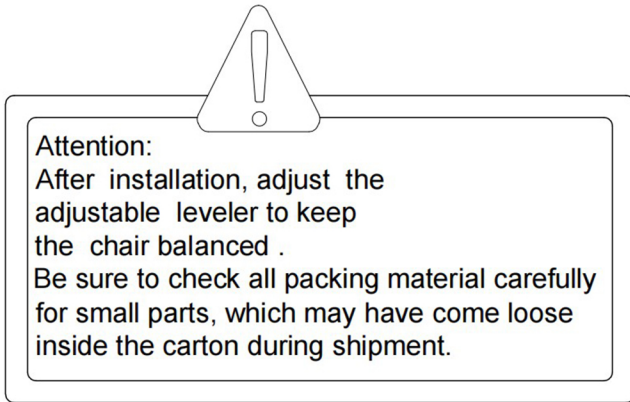
# step 1

Install front legs (B) and rear legs (C) onto the bottom of the back frame (A) as shown, use the allen key (2) provided to tighten the bolts (1). Make sure the legs are correct, and also make sure all the legs are fully tightened before next step.



# step 2

Please note: the legs of the chair can be adjusted by twisting the leveler on the tip of the legs as shown, it can help you use this chair on ground that is not flat, please check before you use the chair.



# step 3

Congradulations! You have finished the assembly, thank you again for choosing our product! Please enjoy!

