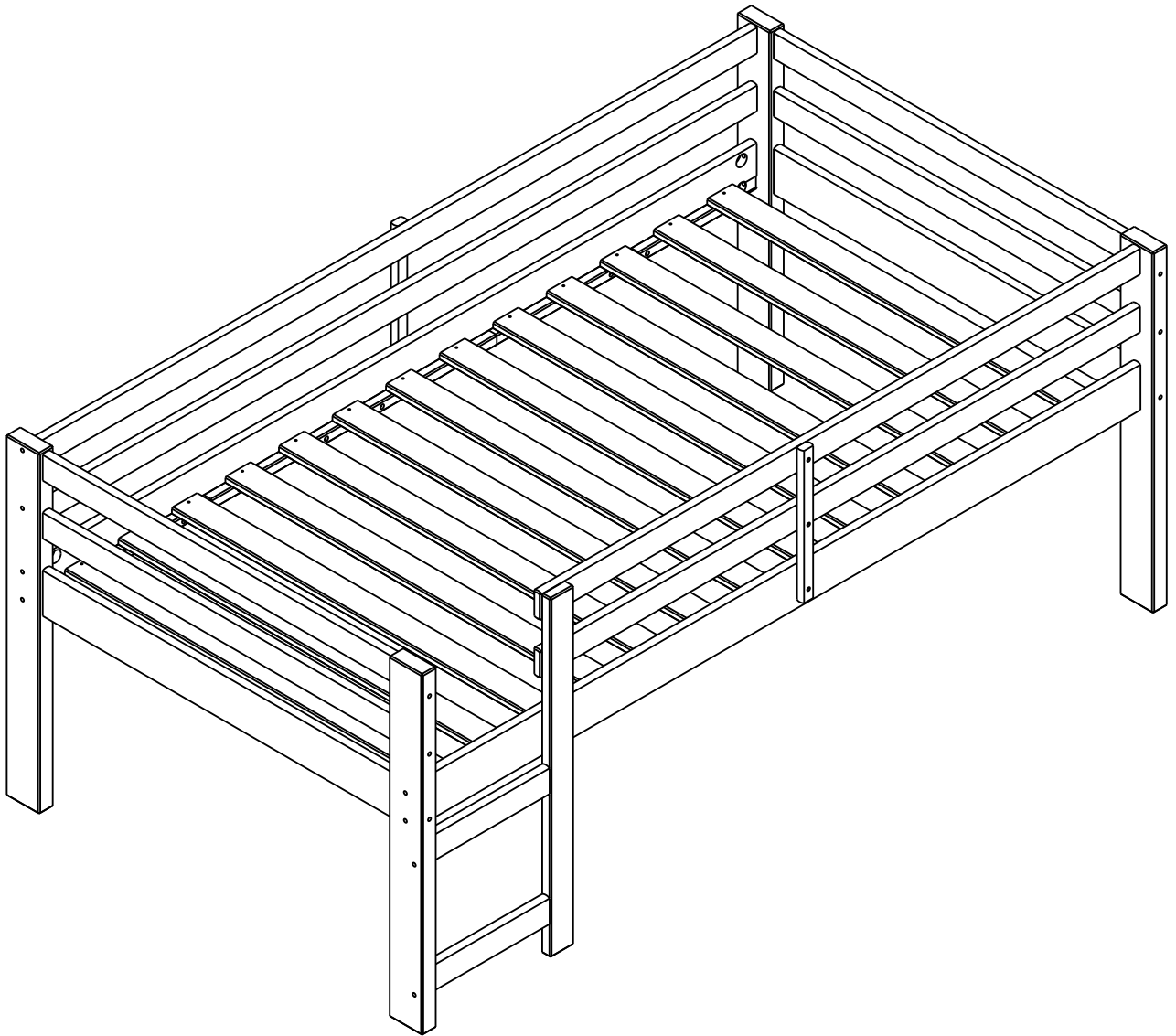


Assembly Instructions



Instruction Manual

IMPORTANT INFORMATION READ BEFORE ASSEMBLING THIS PRODUCT

Follow the information on the warning labels found on the bunk bed and on the packaging. Do not remove the warning label from the bed.

Use only a mattress with the dimensions 74-75 in. L x 37.5-39 1/2 in. W x 7 in. H on the upper bunk. A mattress with the same dimensions is also recommended for the lower bunk.

The surface of the mattress must be at least 5 in. (127mm) below the upper edge of the guardrails. Mattress must not exceed the maximum thickness of 6 in.

Always use the recommended size of mattress or mattress support, or both, to help prevent the likelihood of entrapment or falls.

The use of a water or sleep flotation mattress is prohibited.

Replacement parts, including additional guardrails, may be obtained from any of dealers or by contacting us

DO NOT use substitute parts. Contact the manufacturer or dealer for replacement parts.

Always use guardrails on the upper bunk. If the bunk bed will be placed next to a wall, the guardrail running the full length of the bed should be placed against the wall to prevent entrapment between the bed and the wall.

Periodically check that the guardrails, ladders and other components of the bed are in their proper position, free from damage, and that all connectors are tight.

Always use the ladder to access the upper bunk.

DO NOT allow children under 6 years of age to use the upper bunk.

DO NOT allow horseplay on or under the bed. Prohibit jumping on the bed.

Prohibit more than one person on the upper bunk.

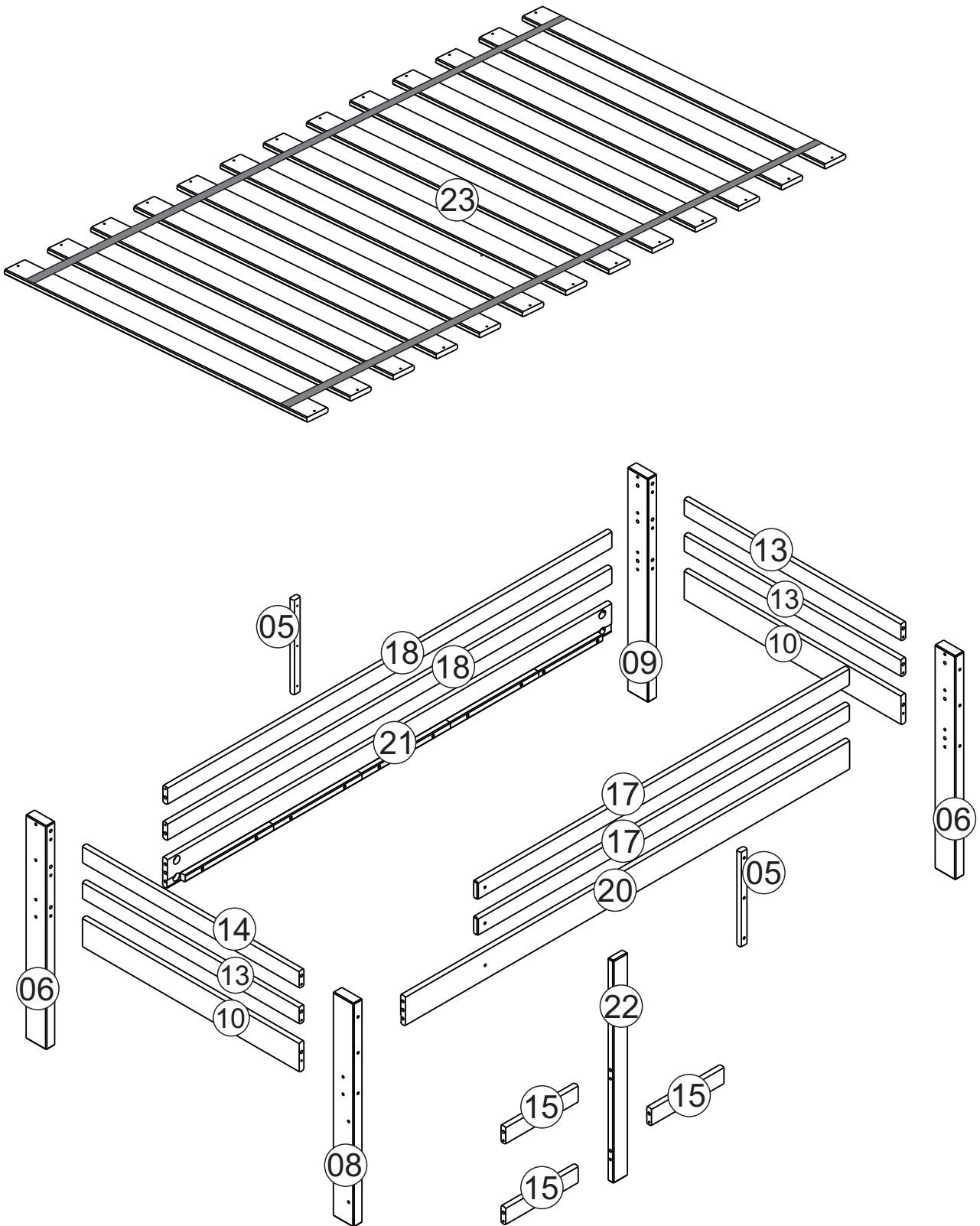
The use of a night light may provide an added safety precaution for a child using the upper bunk.

STRANGULATION HAZARD – Never attach or hang items to any part of the bunk bed that are not designed for use with the bed; including but not limited to hooks, belts and jump ropes.

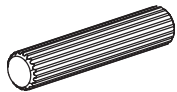
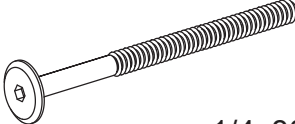

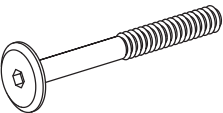
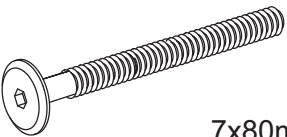
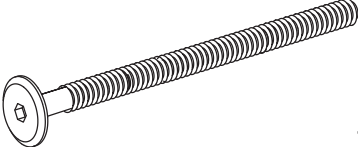
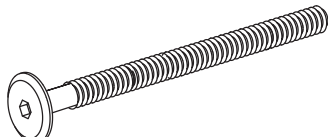
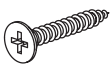
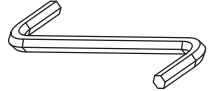
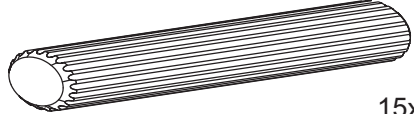

DANGER D'ÉTRANGLEMENT- Ne jamais attacher ni suspendre quelque chose au lit, qui ne fait pas partie du lit superposé. Ceci inclut, sans s'y limiter : crochets, ceintures ou cordes à sauter.

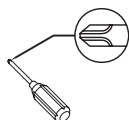
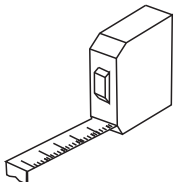
Keep these instructions for future reference.

Parts List



Hardware List

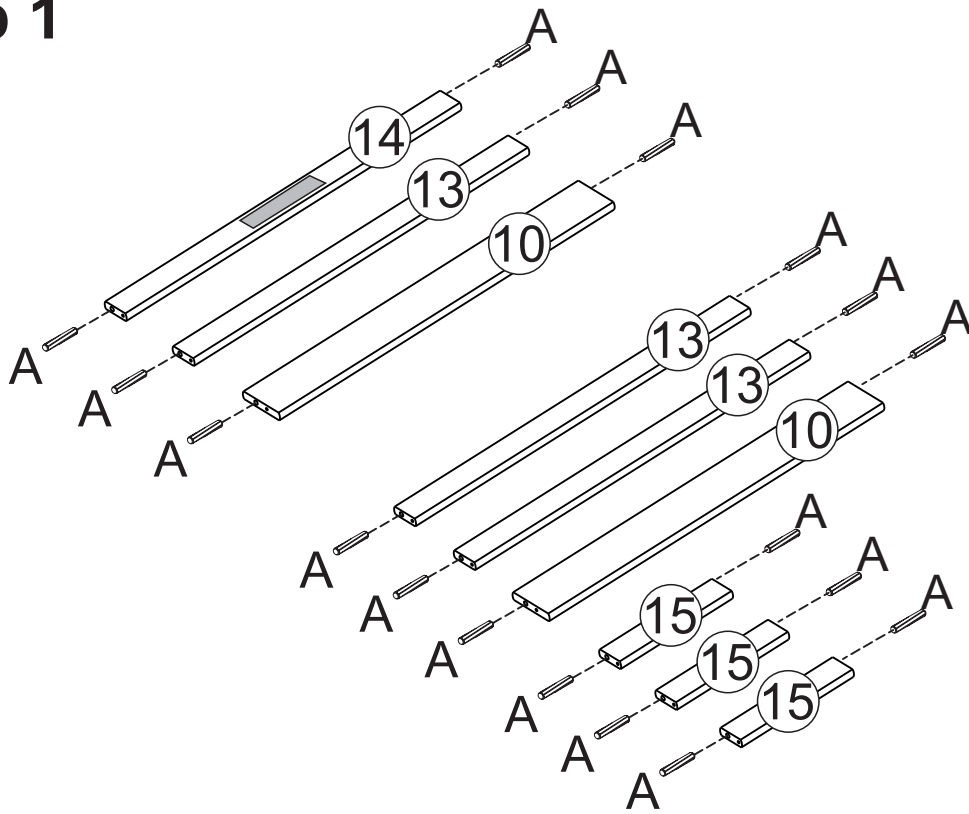
Ref.		Qty.
A	 10x40mm	28
D	 1/4x80mm	08
E	 1/4	08
F	 7x40mm	03
G	 7x80mm	09
H	 7x120mm	12
I	 7x100mm	03
J	 4,0x30mm	32
L	 Hex Key	01
M	 15x100mm	04
N	 15x50mm	01



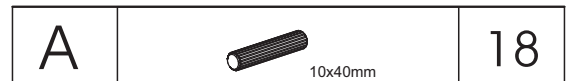
Philips head screwdriver required for assembly
(not included)

*The hardware quantities listed above are required for proper assembly.
Some extra hardware may also have been included.*

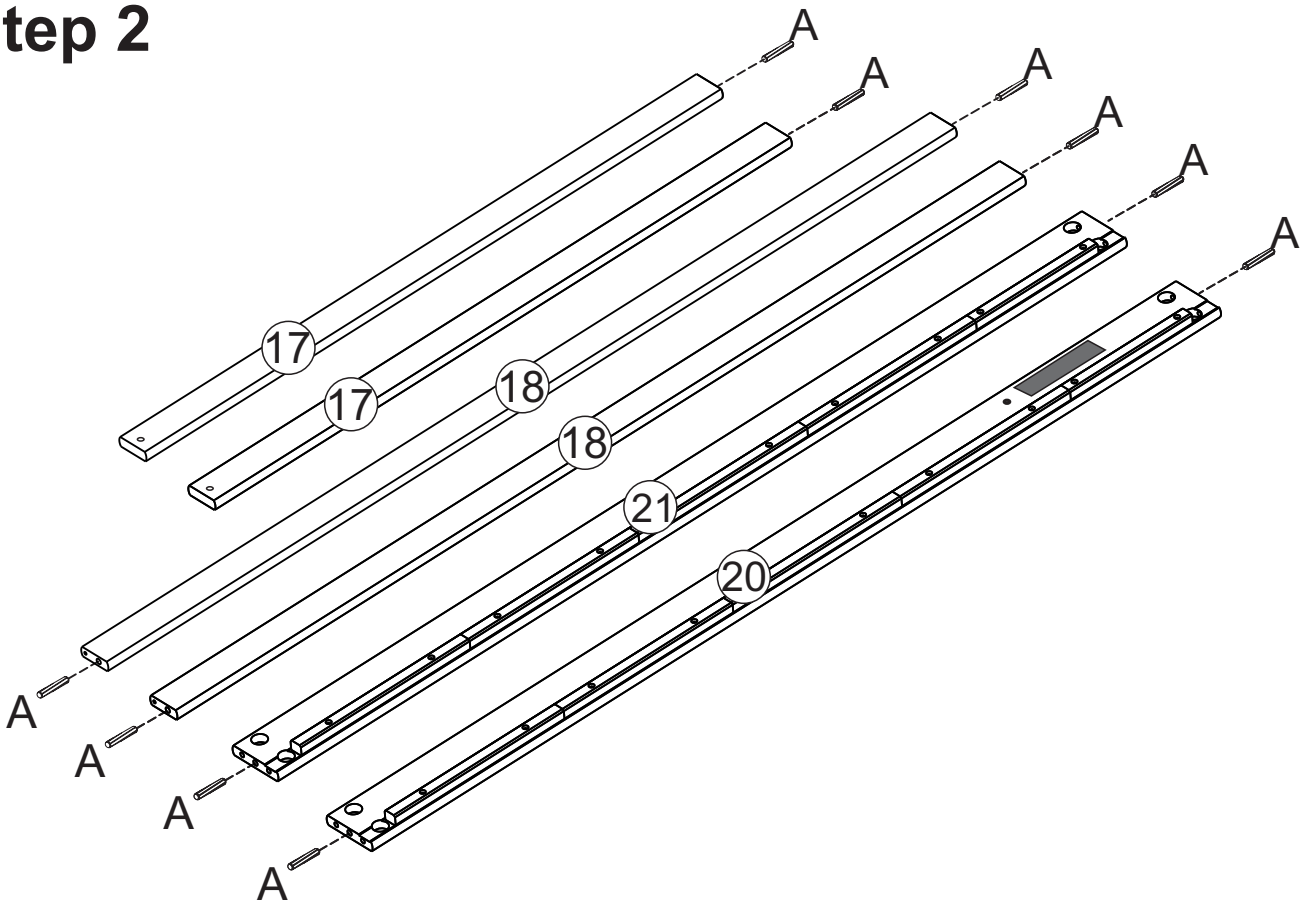
Step 1



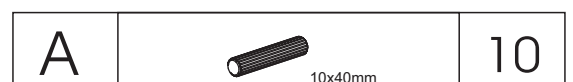
Insert wood dowels (D) into slats (10,13,14 and 15).



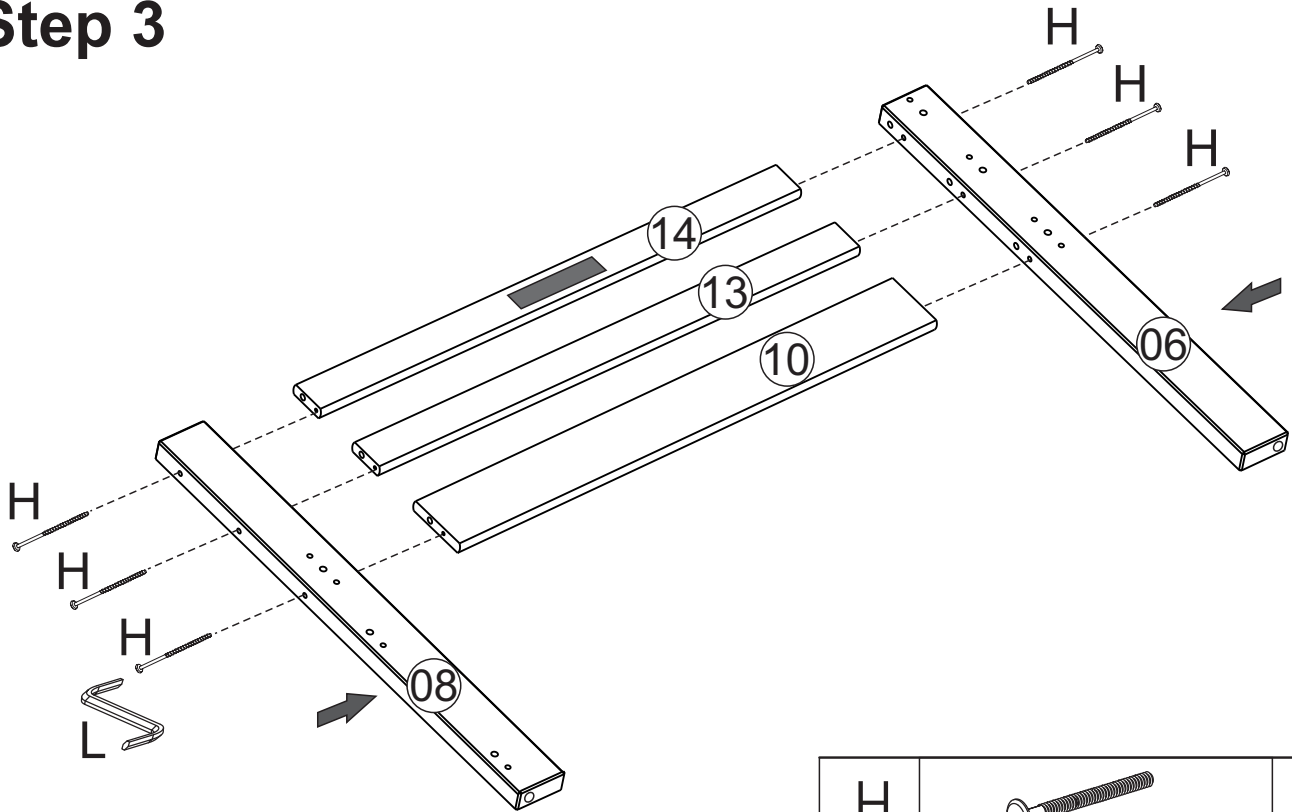
Step 2




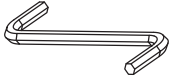
Insert wood dowels (A) into guard rails (18) and ladder (19,20).



Step 3

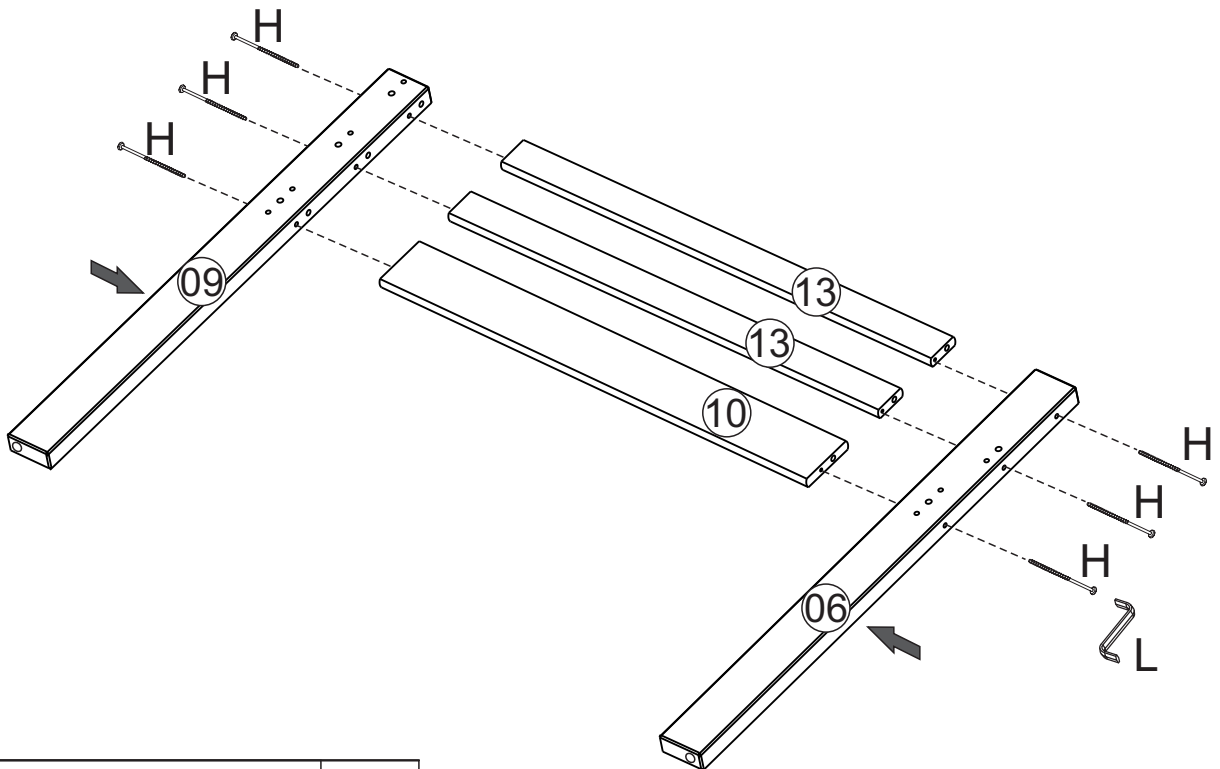


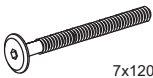
H	 7x120mm	06
---	--	----

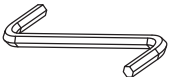
L	 Hex Key	01
---	---	----

Attach legs (6,8) to slats (10,13,14) using screws (H) and Hex Key (L).

Step 4

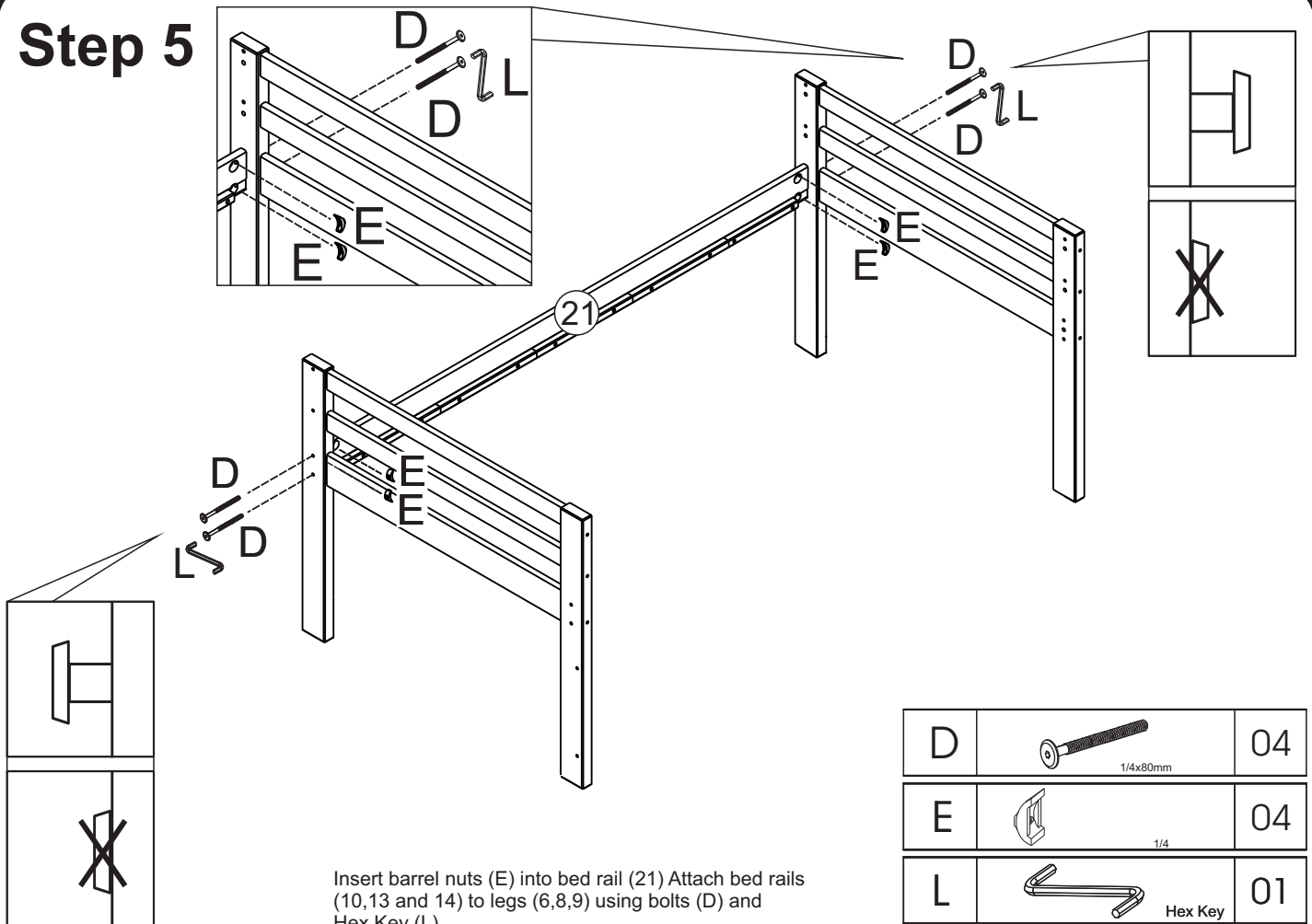


H	 7x120mm	06
---	--	----

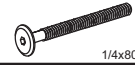


L	 Hex Key	01
---	--	----

Attach legs (6,9) to slats (10 and 13) using screws (H) and Hex Key (L).

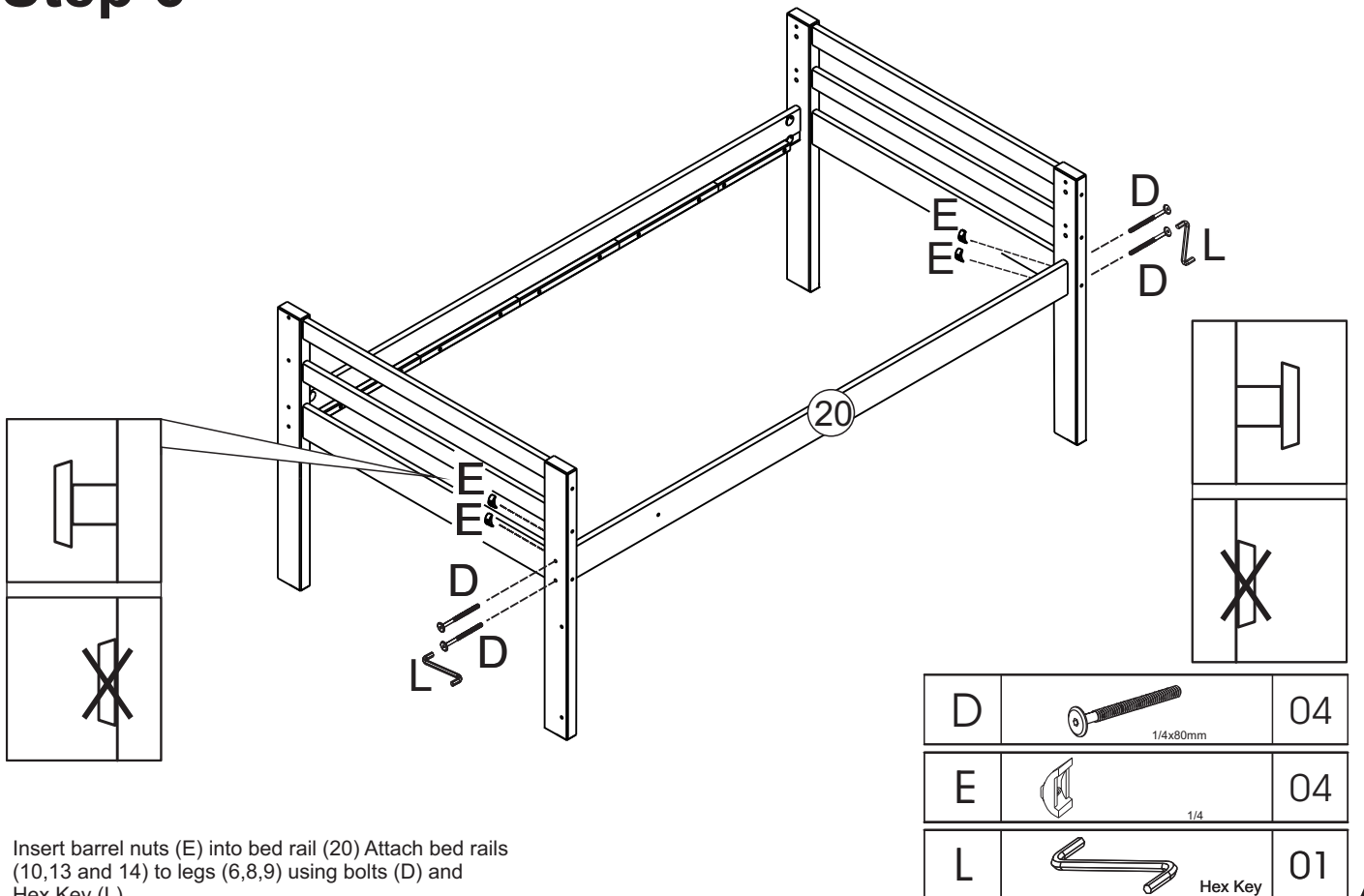
Step 5





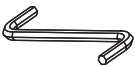
Insert barrel nuts (E) into bed rail (21) Attach bed rails (10,13 and 14) to legs (6,8,9) using bolts (D) and Hex Key (L).

D	 1/4x80mm	04
E	 1/4	04
L	 Hex Key	01

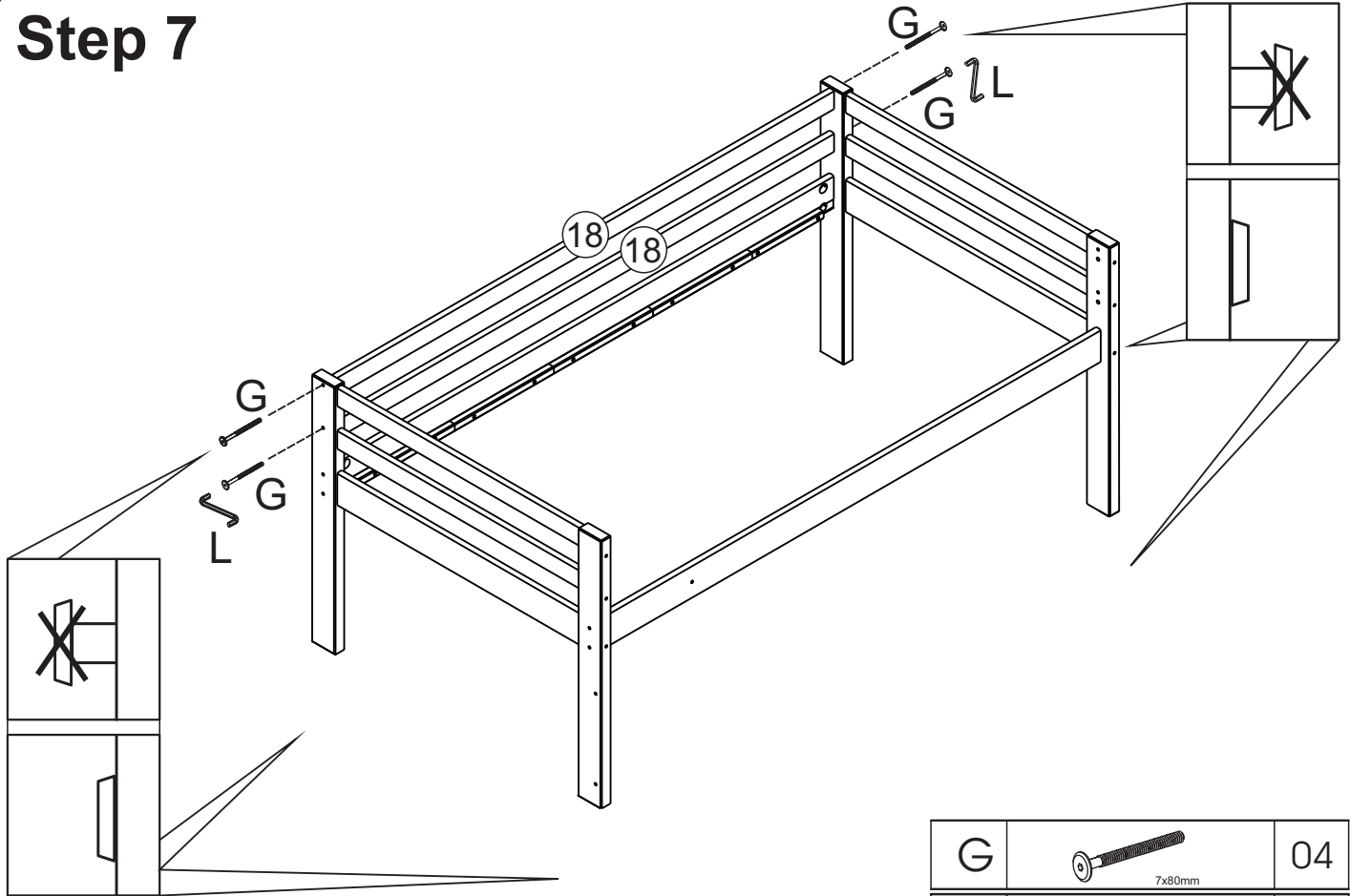
Step 6





Insert barrel nuts (E) into bed rail (20) Attach bed rails (10,13 and 14) to legs (6,8,9) using bolts (D) and Hex Key (L).

D	 1/4x80mm	04
E	 1/4	04
L	 Hex Key	01

Step 7

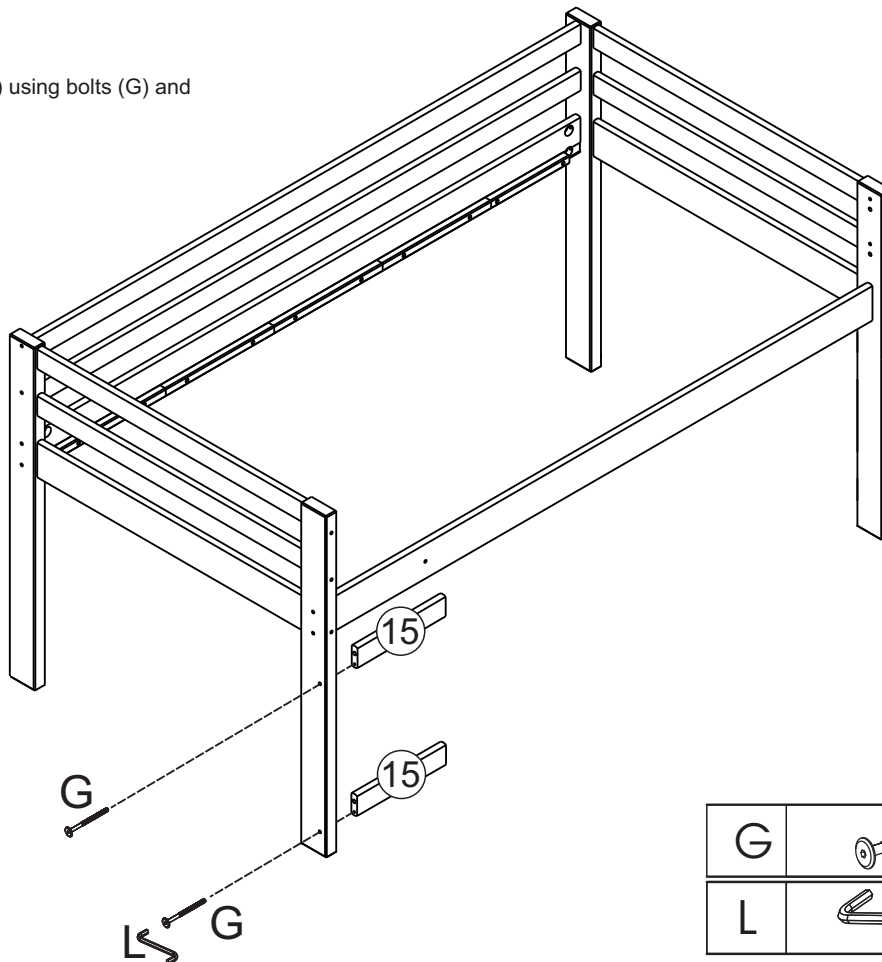



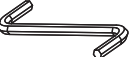
Attach guard rails (18) to legs (6,9) using bolts (G) and Hex Key (L).

G	 7x80mm	04
L	 Hex Key	01

Step 8

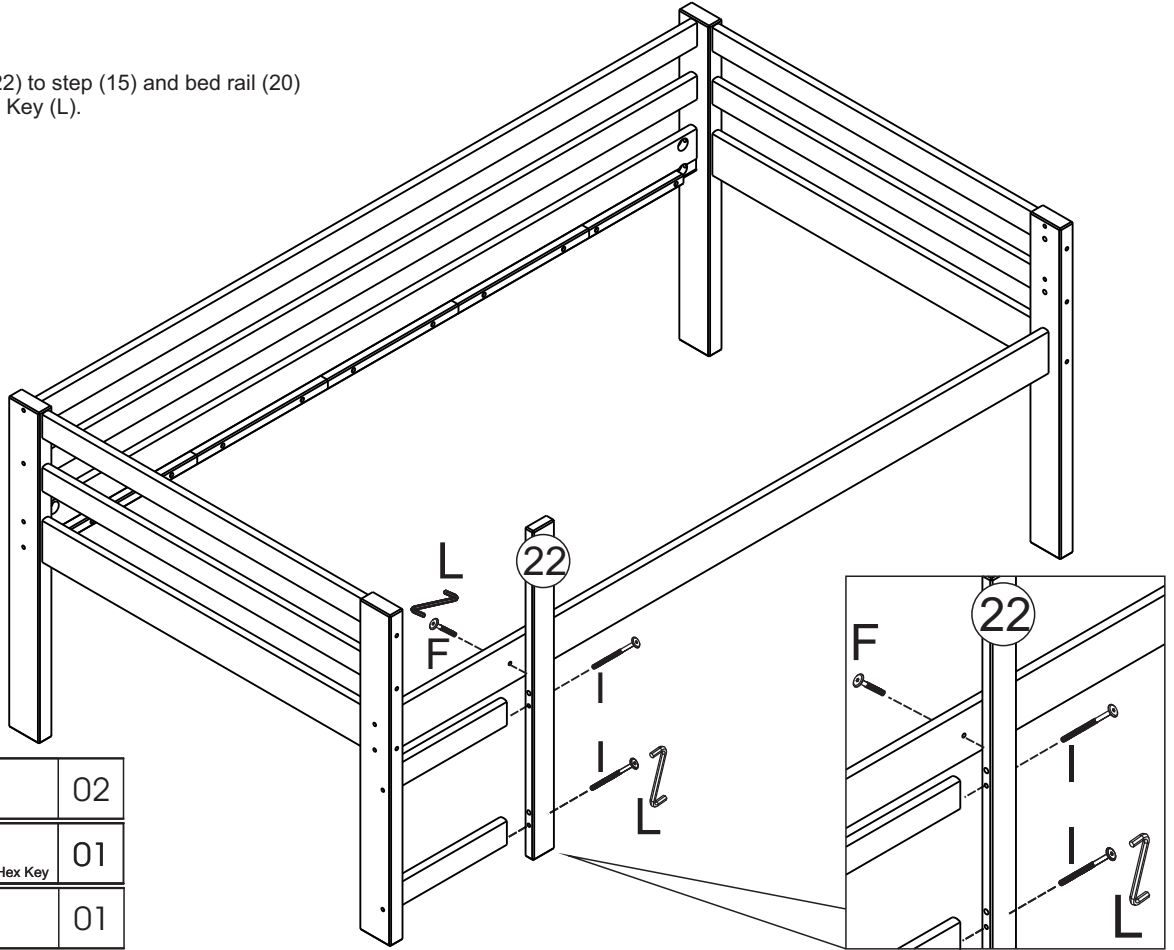
Attach step (15) to leg (8) using bolts (G) and Hex Key (L).






G	 7x80mm	02
L	 Hex Key	01

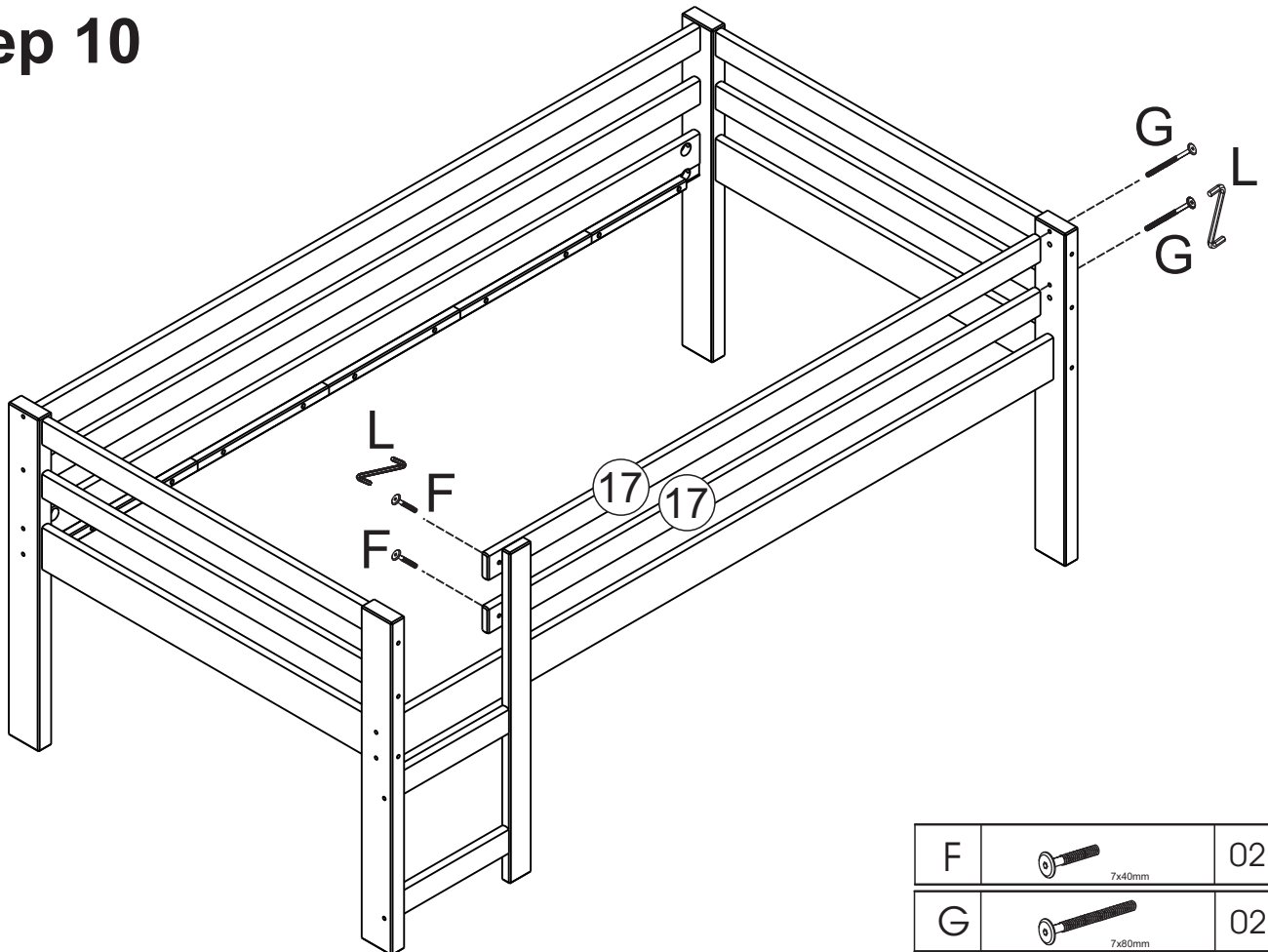
Step 9




Attach ladder side rail (22) to step (15) and bed rail (20) using bolts (I,F) and Hex Key (L).



I		02
L		01
F		01

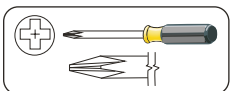
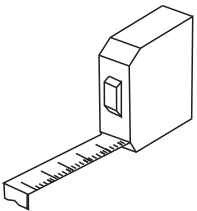
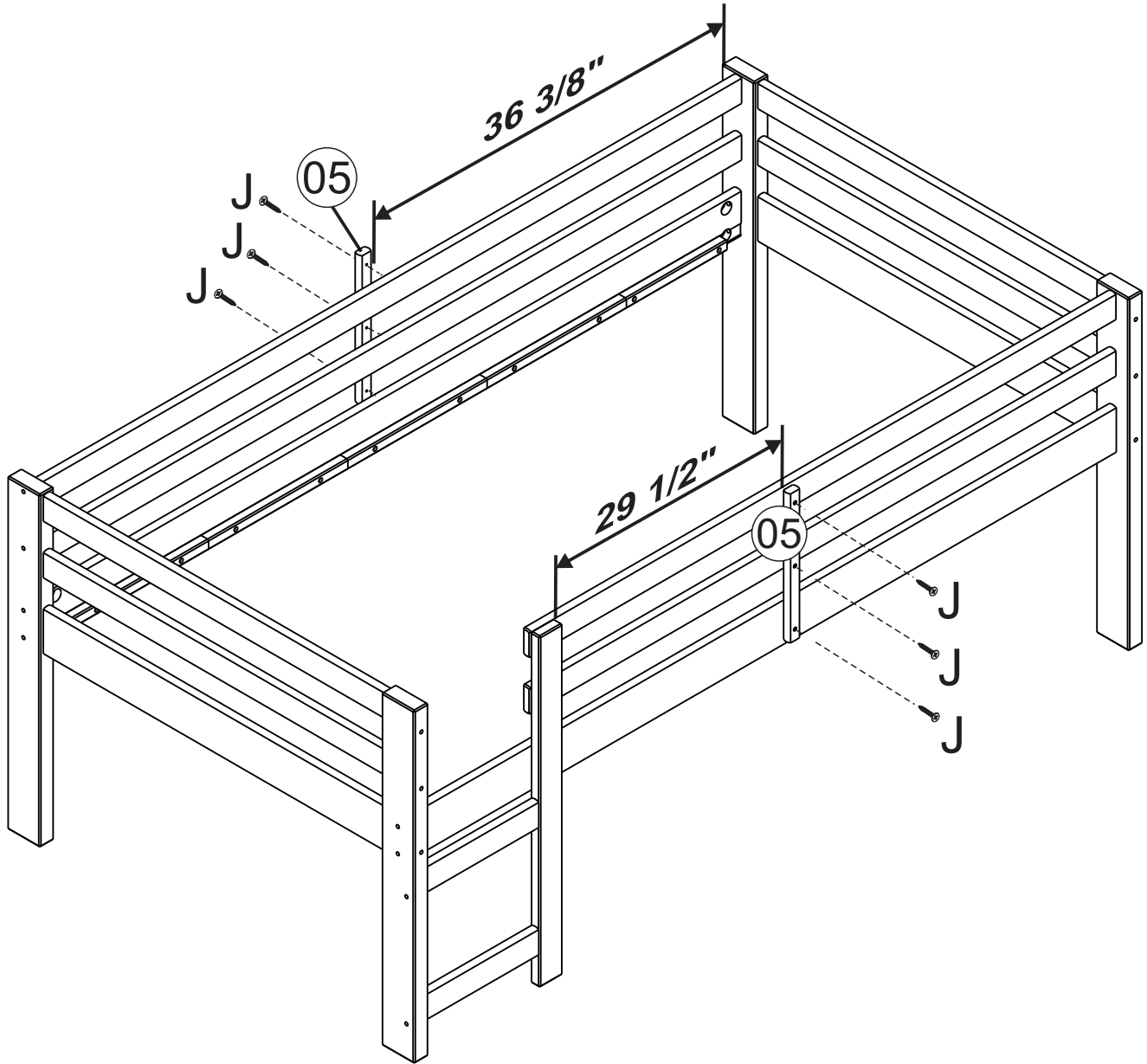
Step 10




F		02
G		02
L		01

Attach guard rail (17) to leg (06) and ladder side rail (22) using bolts (G,F) and Hex Key (L).

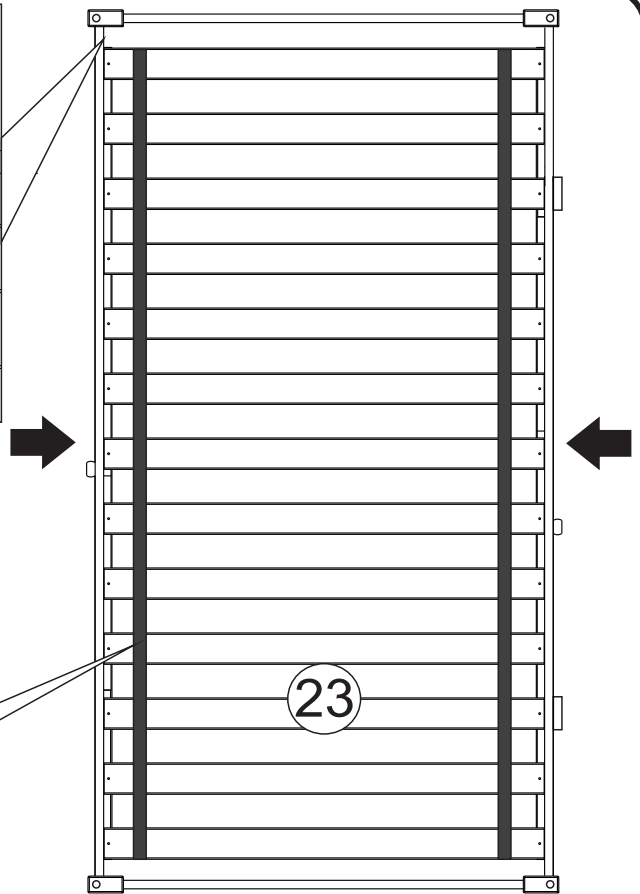
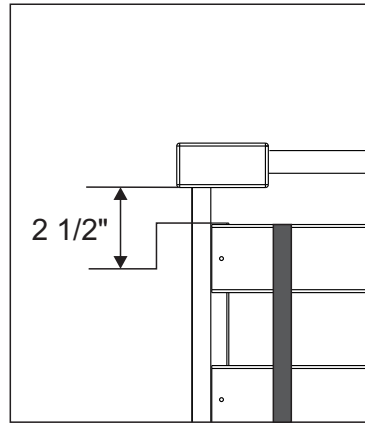
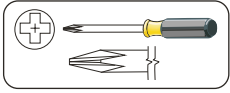
Step 11



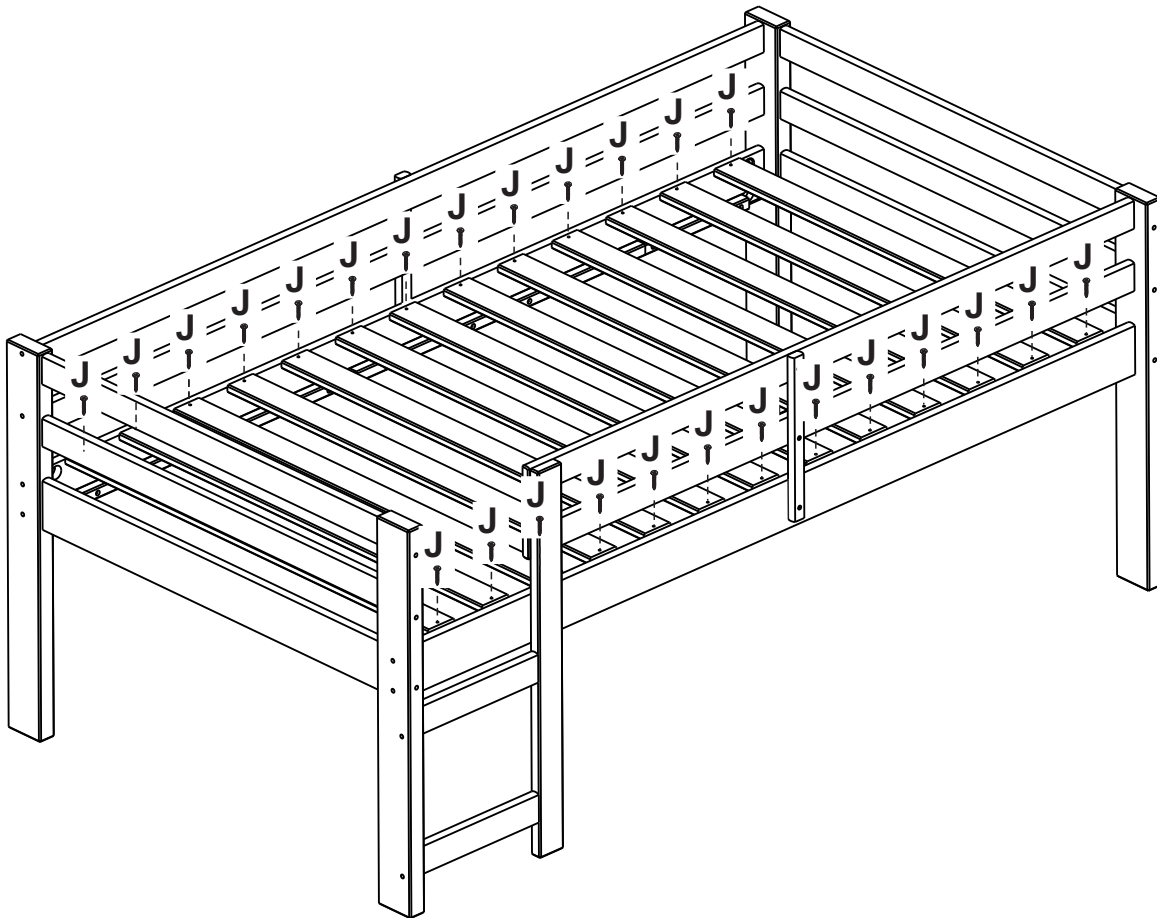
J	 4,0x30	06
---	---	----


Connect guard rail support (05) to guard rail (17,18) and bed rail (20,21) using screw (J). Follow measurements shown in diagram.

Step 12



Install slat kit with spacer tape on top (Facing up).



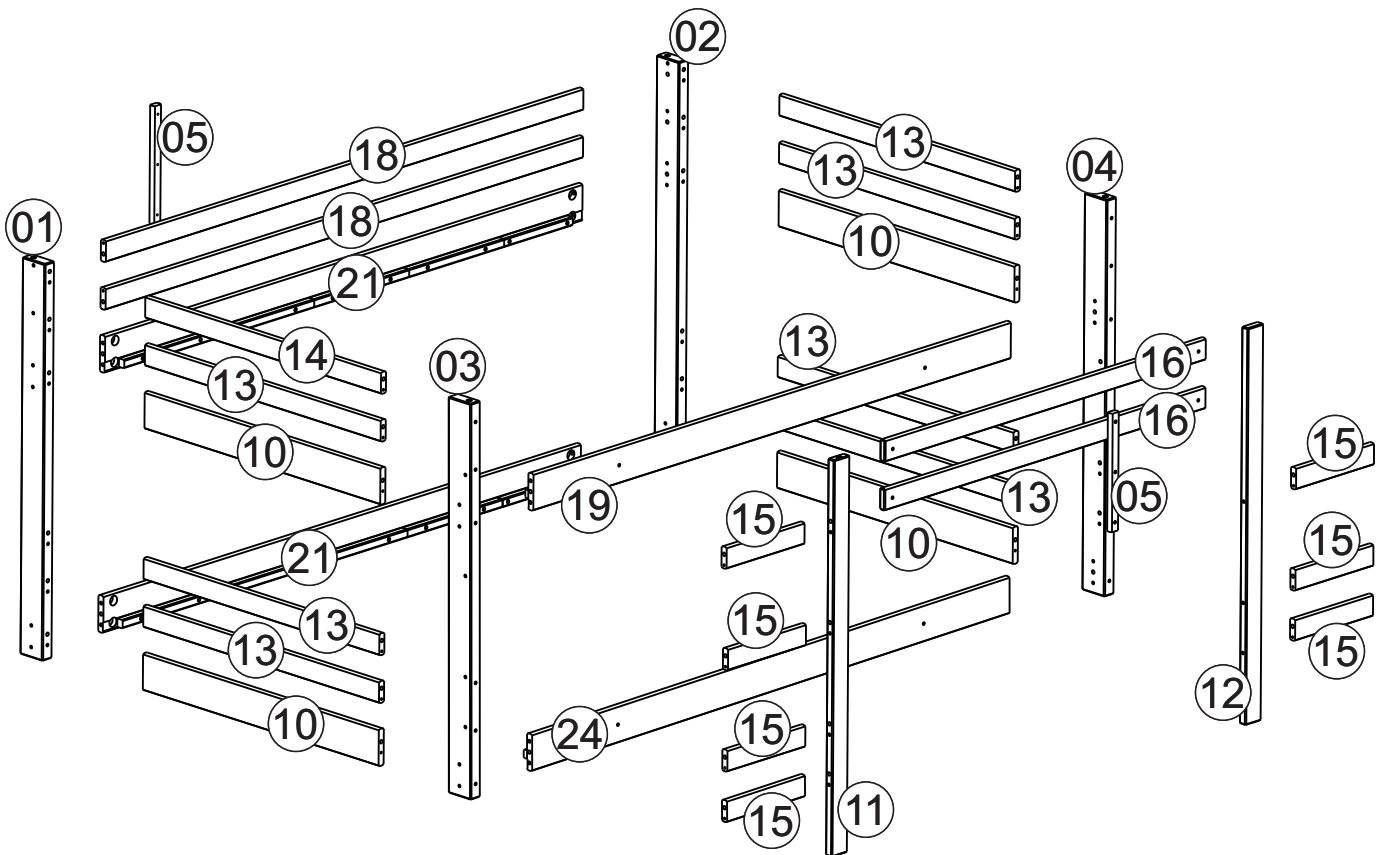
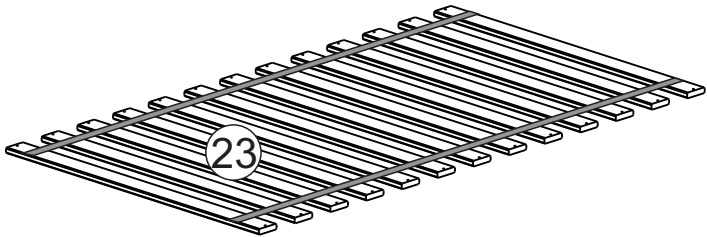
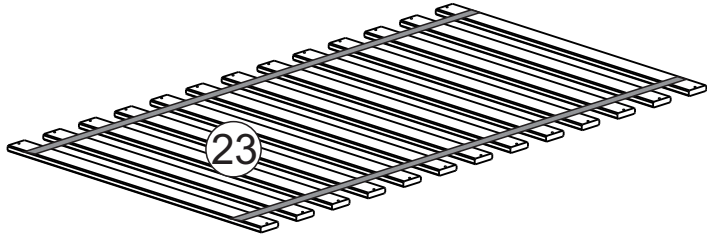
J	 4,0x30mm	26
---	---	----

Install slat kit (23) to bed rails with screws (J). Spacer tape will face up.

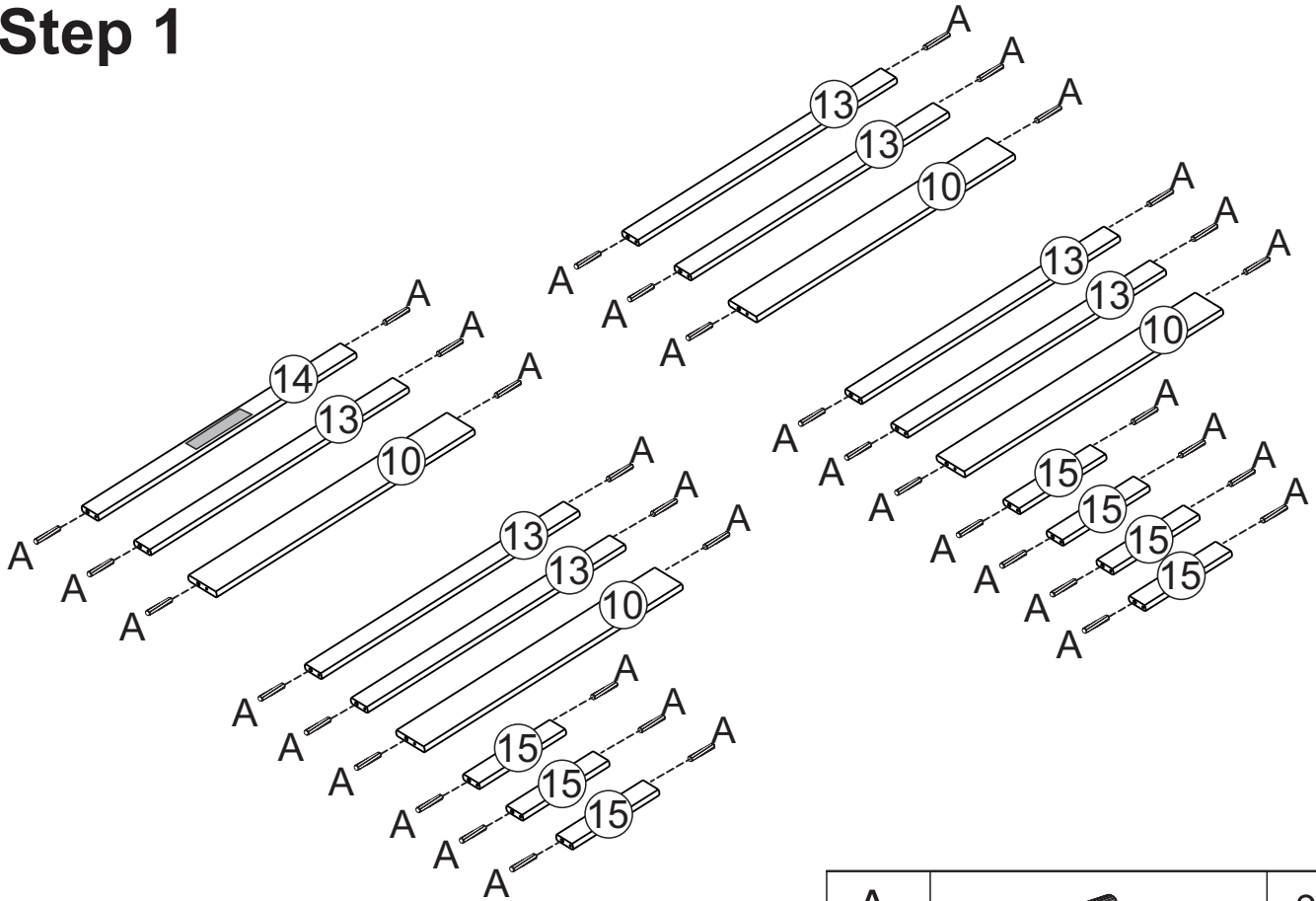
Assembly Instructions




Parts List



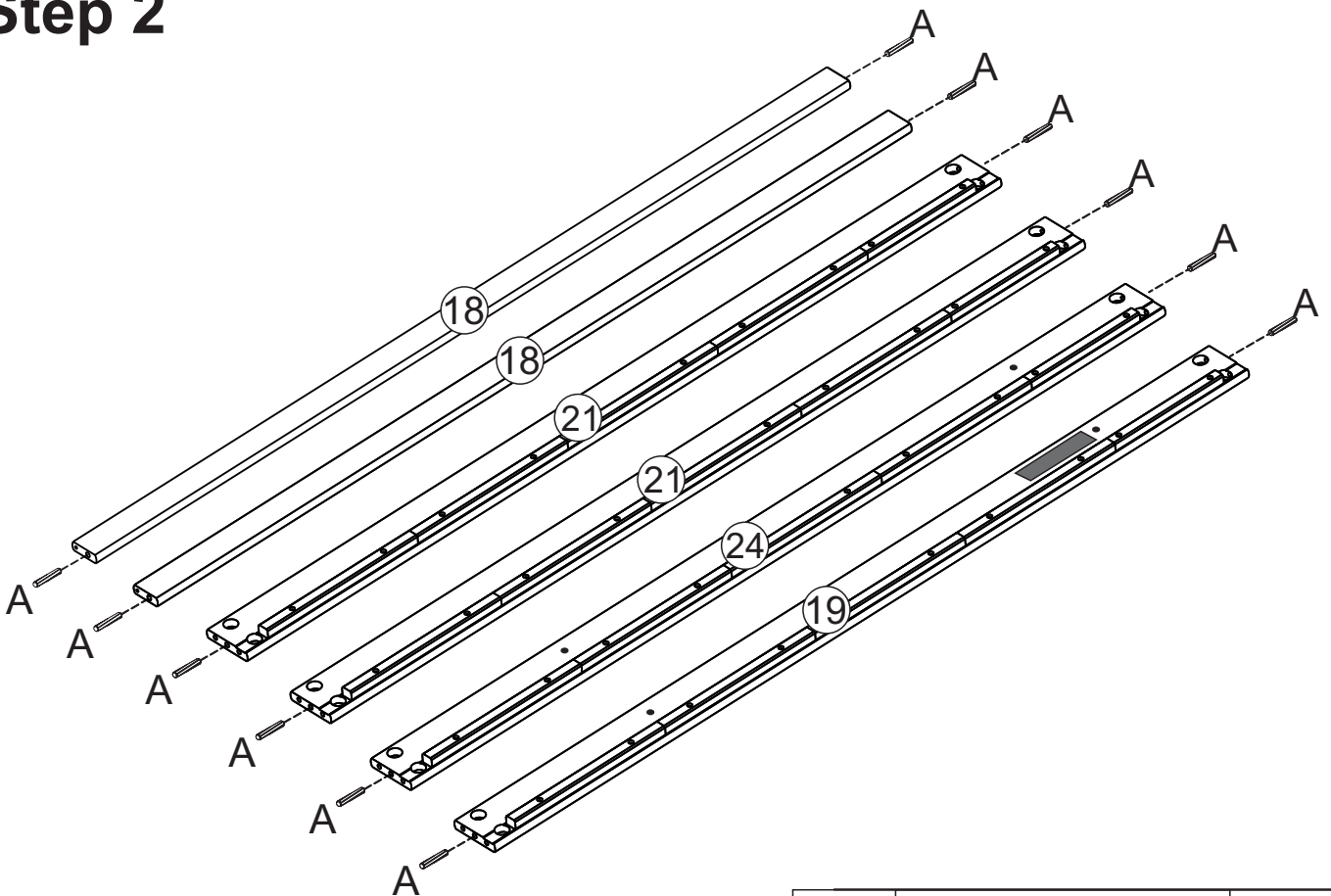
Step 1




Insert wood dowels (D) into slats (10,13,14 and 15).

A	 10x40mm	38
---	--	----

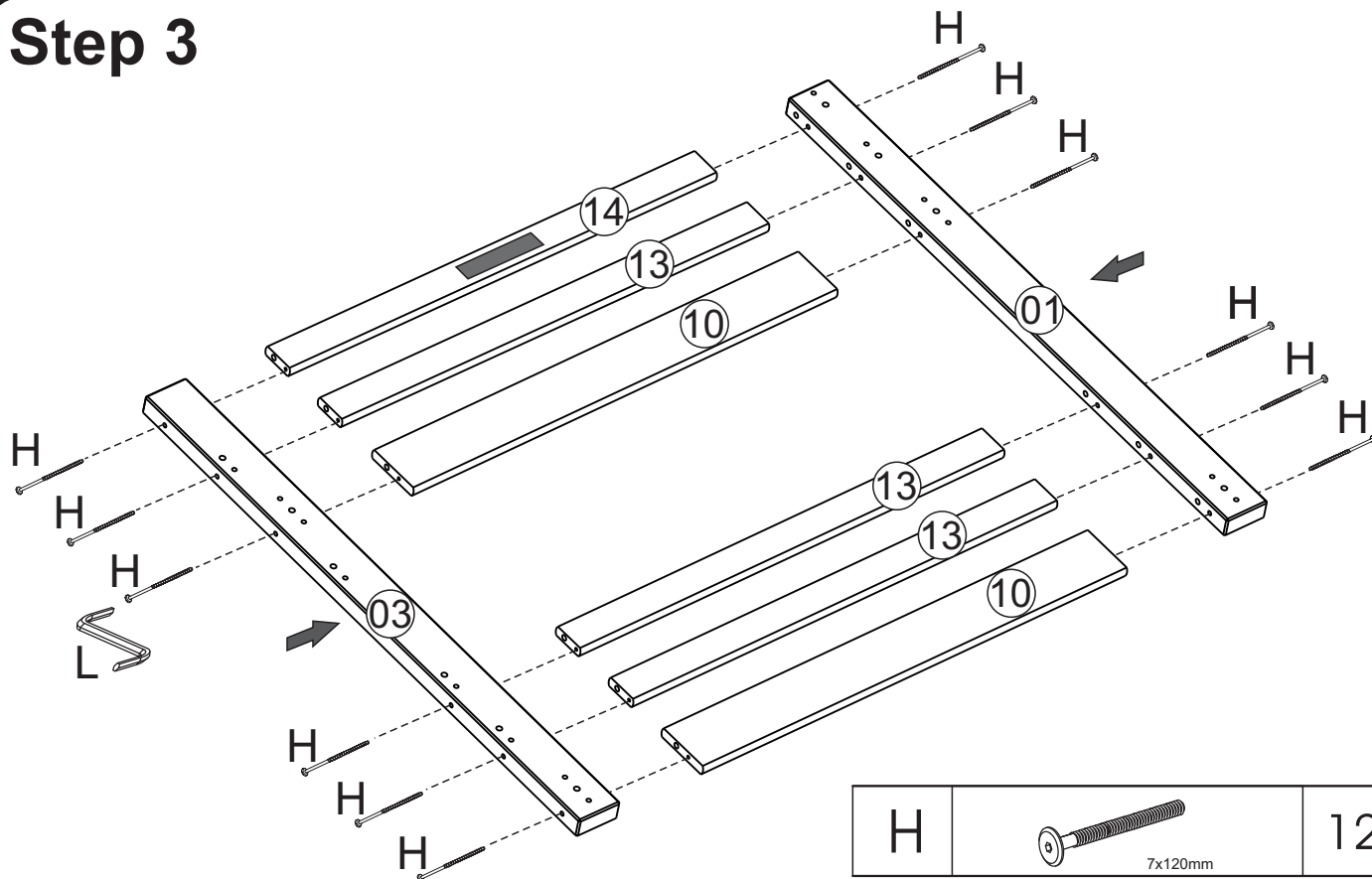
Step 2


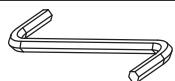


Insert wood dowels (A) into guard rails (18) and ladder (19,21 and 24).

A	 10x40mm	12
---	--	----

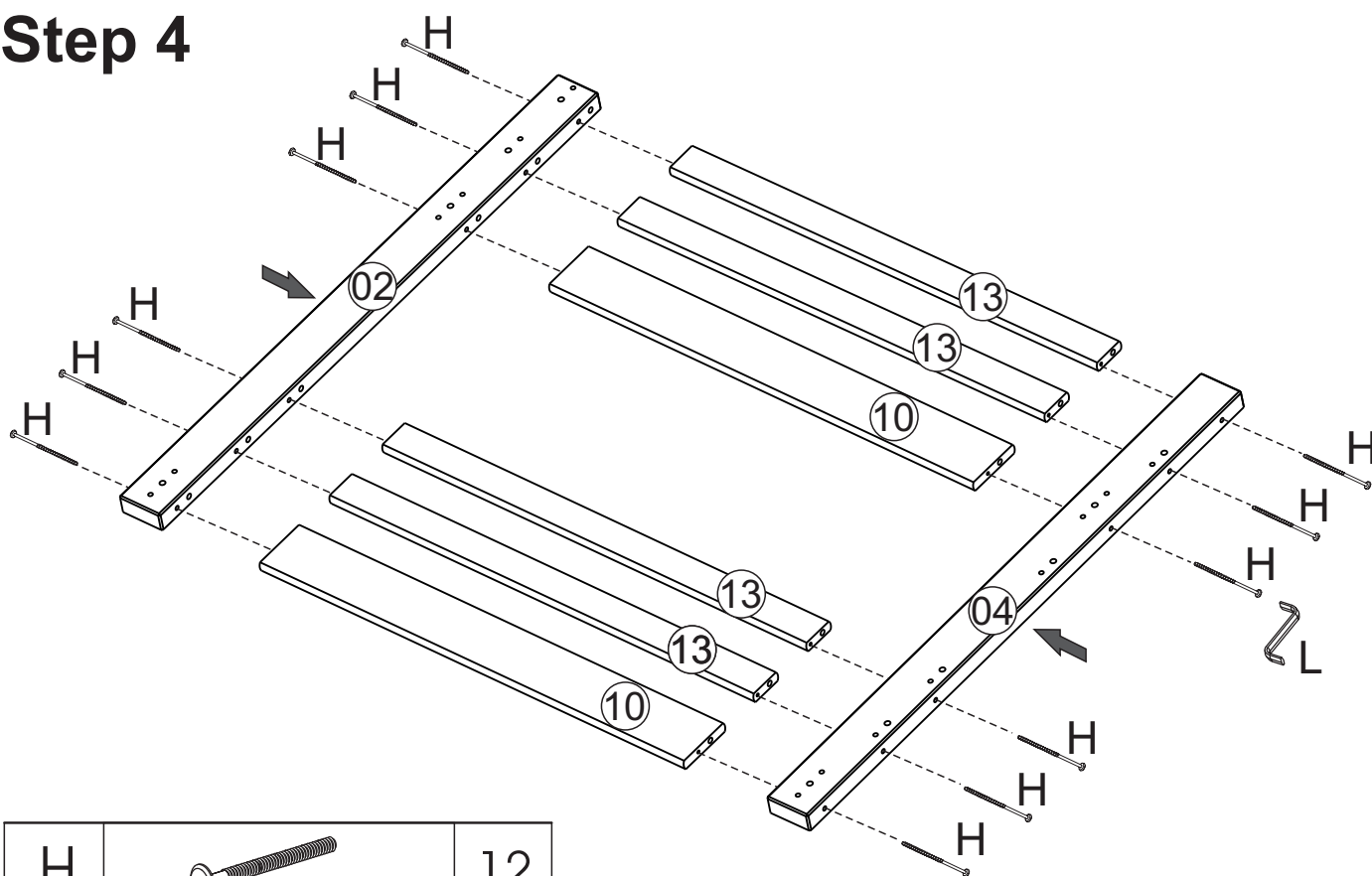
Step 3





H	 7x120mm	12
L	 Hex Key	01

Attach legs (1,3) to slats (10,13,14) using screws (H) and Hex Key (L).

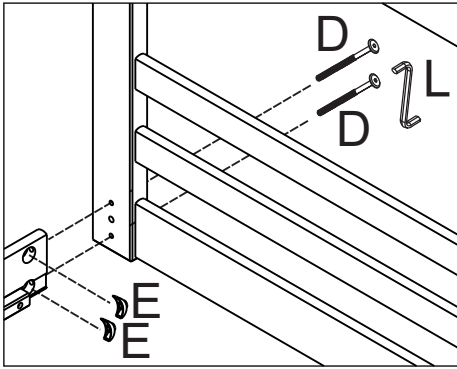
Step 4



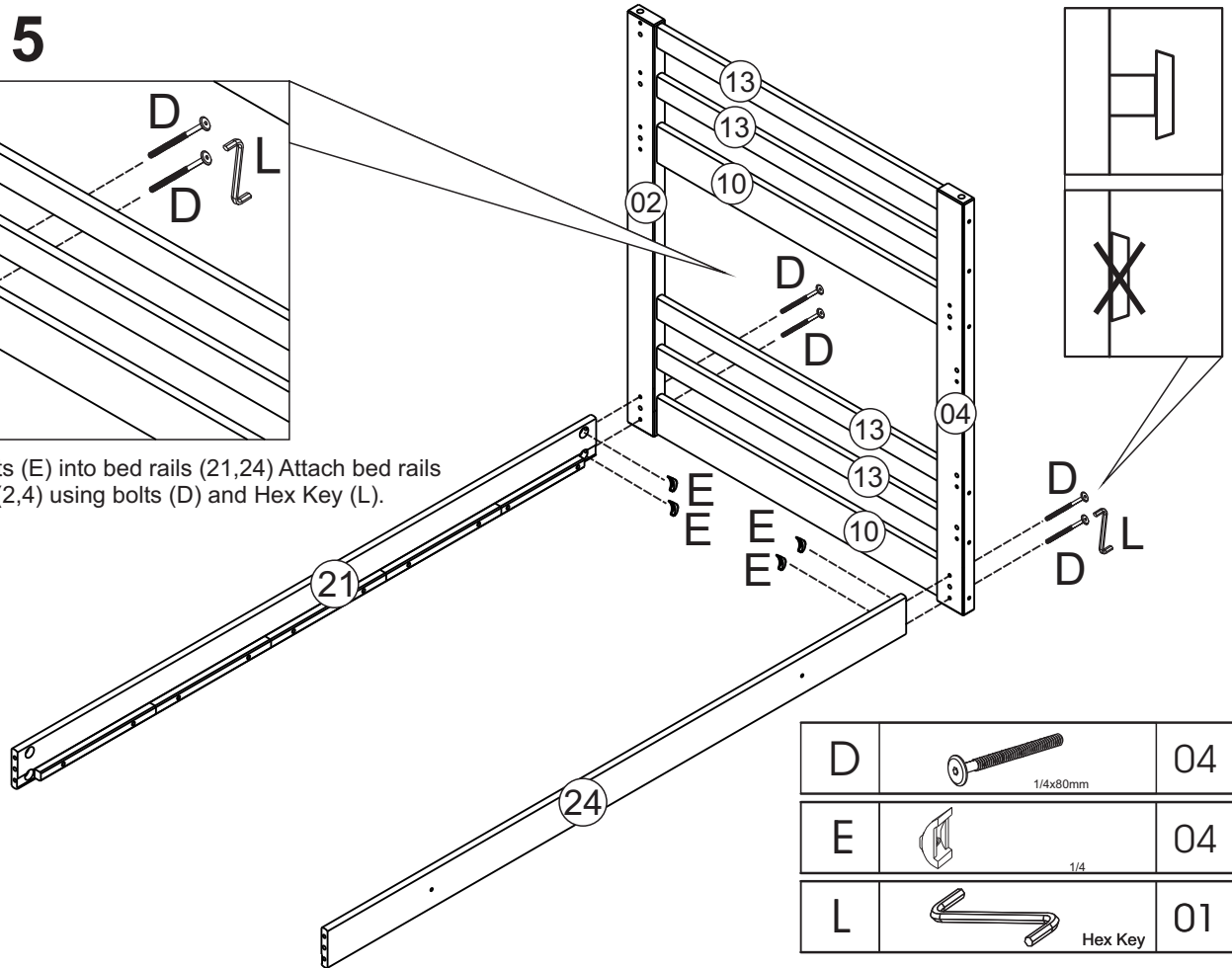
H	 7x120mm	12
L	 Hex Key	01




Attach legs (2,4) to slats (10 and 13) using screws (H) and Hex Key (L).

Step 5



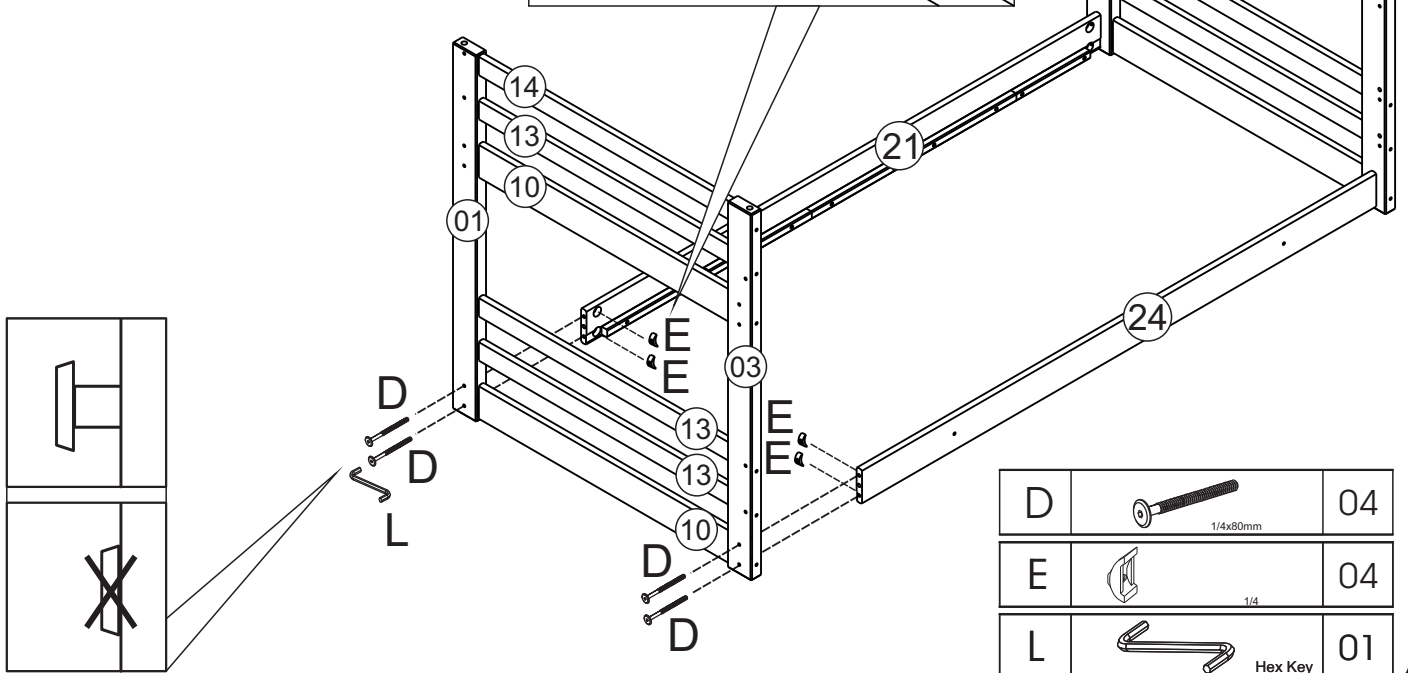
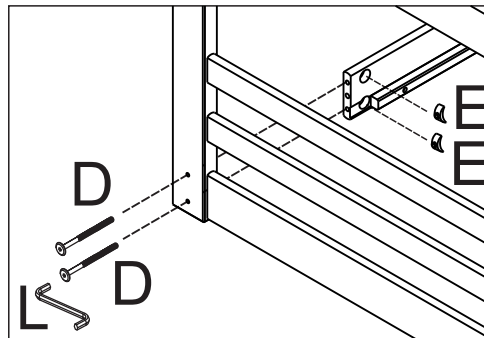
Insert barrel nuts (E) into bed rails (21,24) Attach bed rails (10,13) to legs (2,4) using bolts (D) and Hex Key (L).






D		04
E		04
L		01

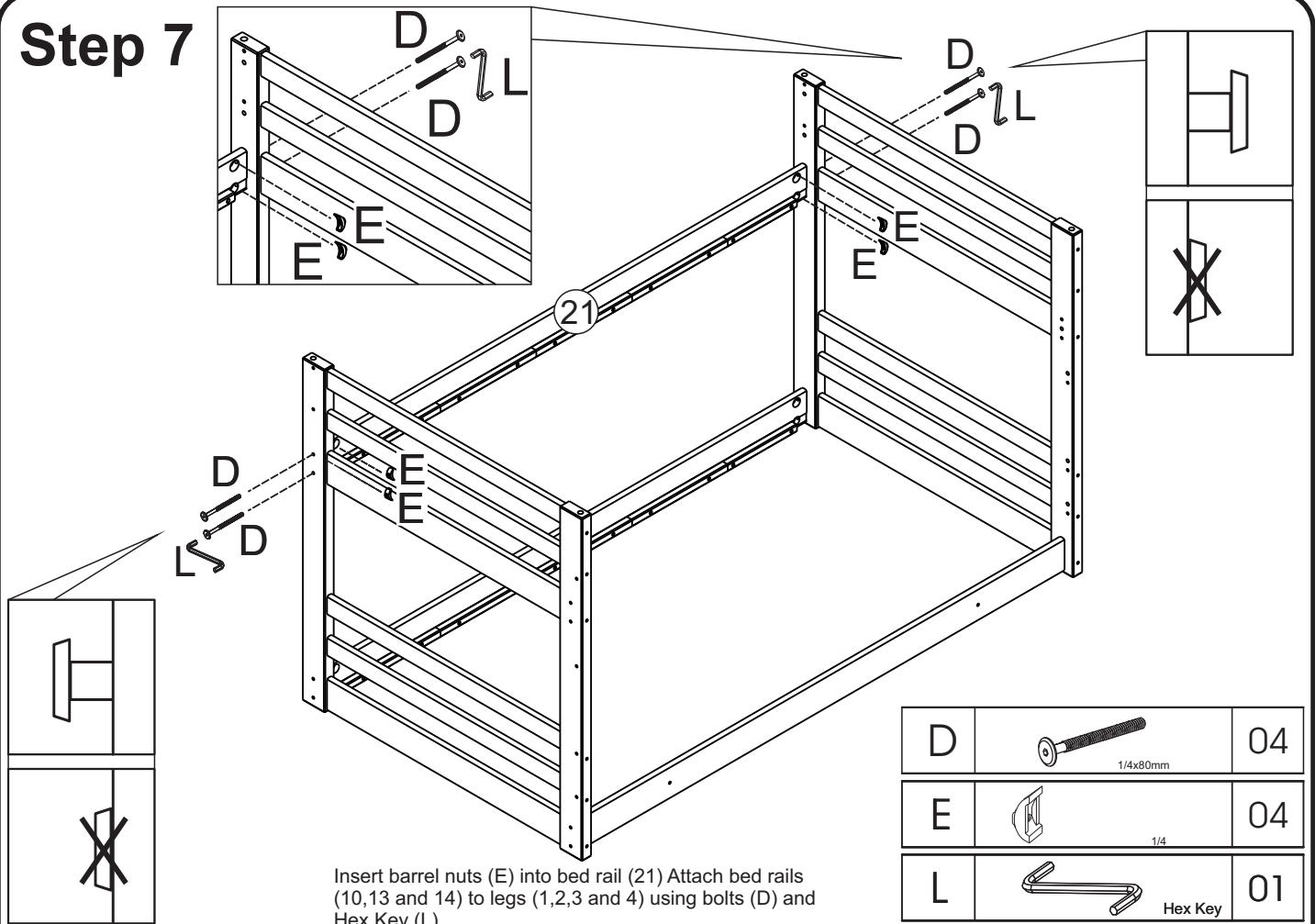
Step 6

Insert barrel nuts (E) into bed rails (21,24) Attach bed rails (10,13 and 14) to legs (1,3) using bolts (D) and Hex Key (L).

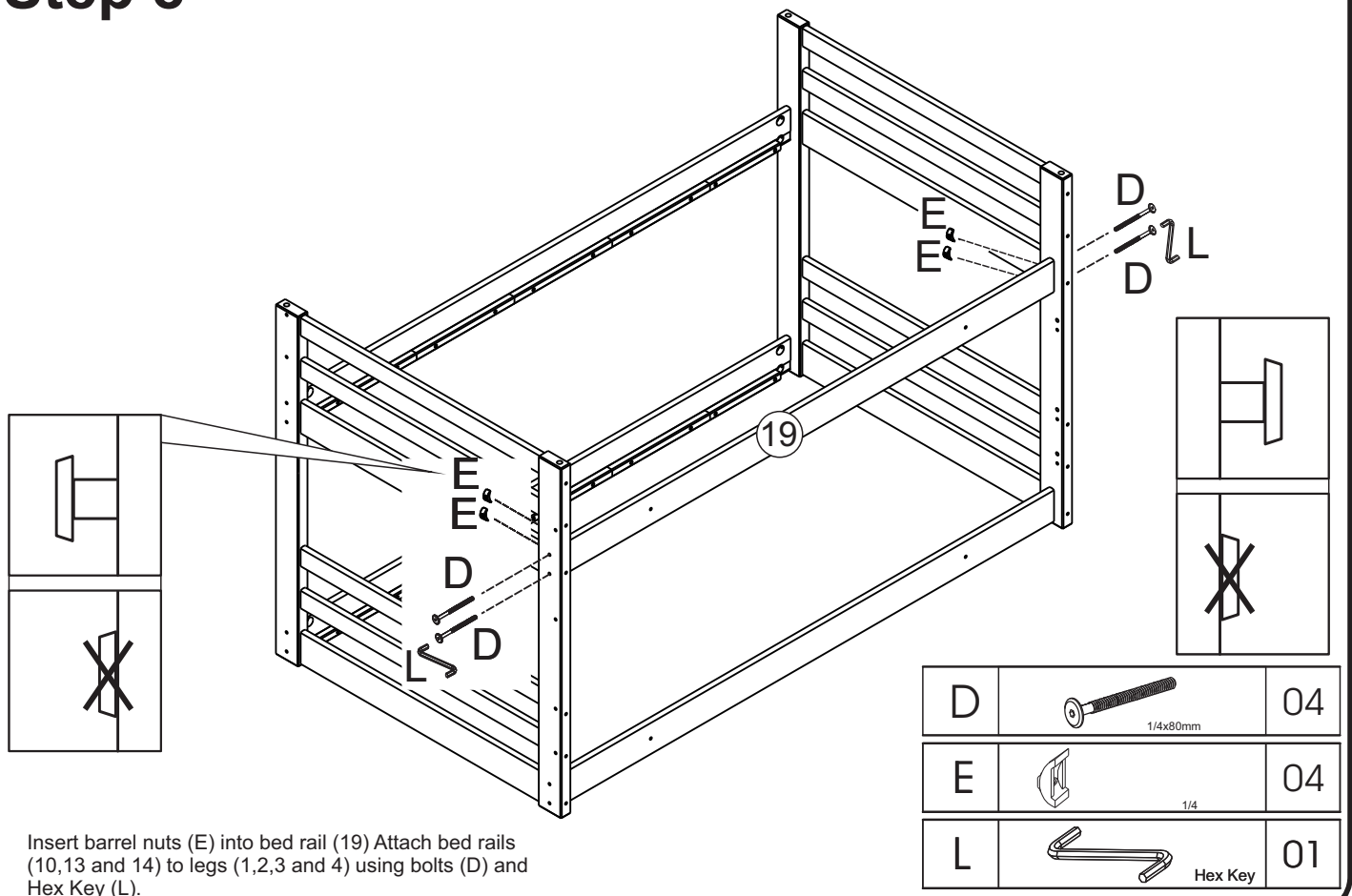


D		04
E		04
L		01

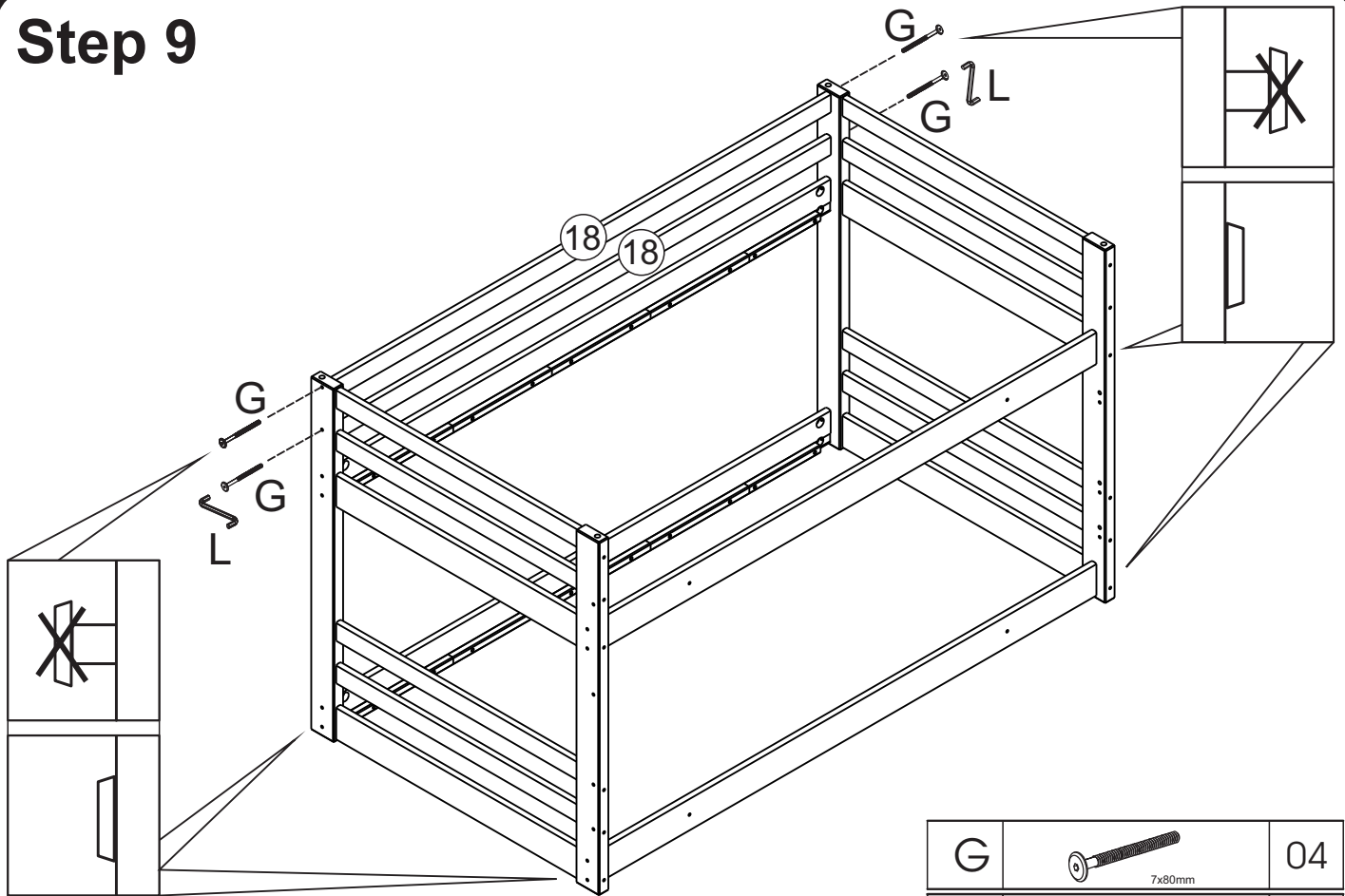
Step 7




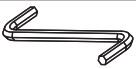
Step 8



Step 9

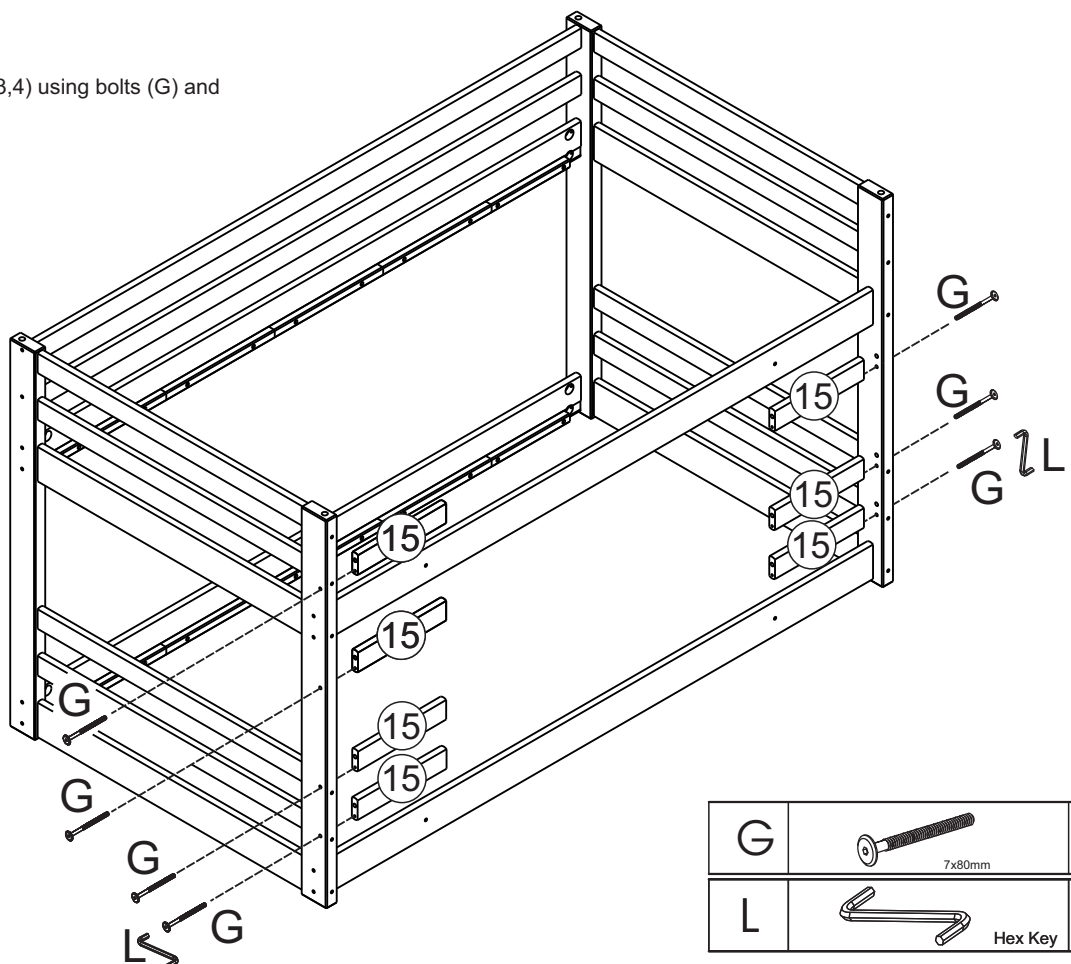




Attach guard rails (18) to legs (1,2) using bolts (G) and Hex Key (L).

G	 7x80mm	04
L	 Hex Key	01

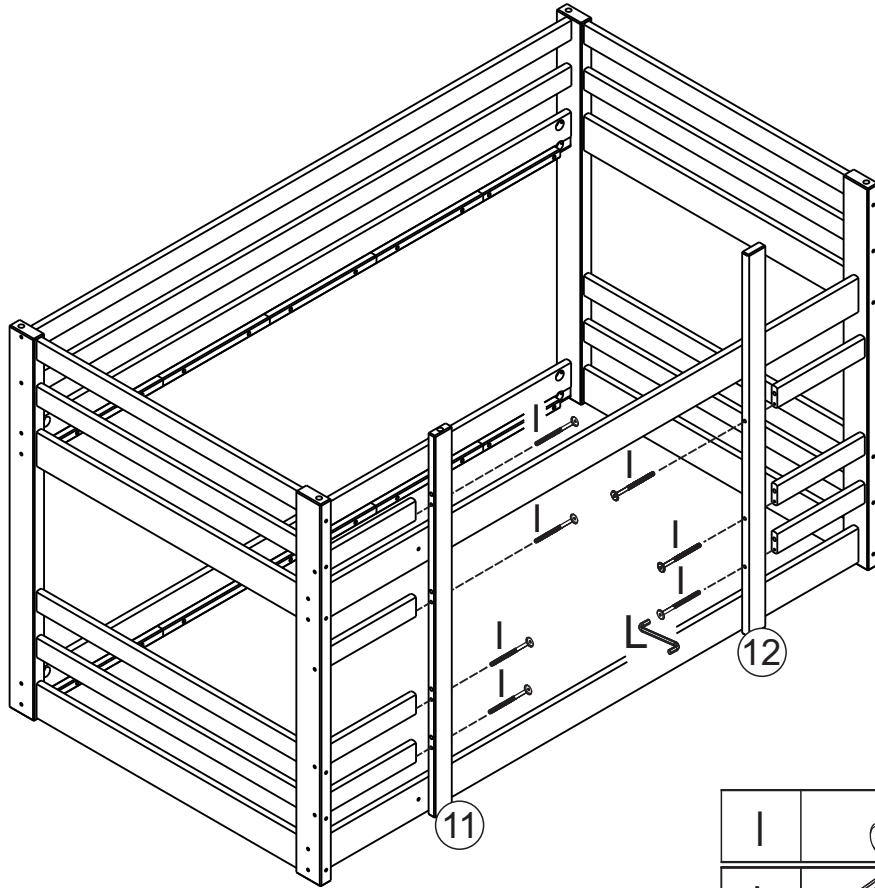
Step 10

Attach step (15) to legs (3,4) using bolts (G) and Hex Key (L).





G	 7x80mm	07
L	 Hex Key	01

Step 11

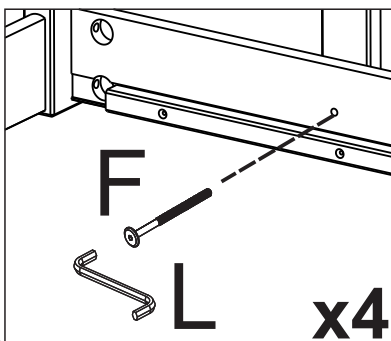
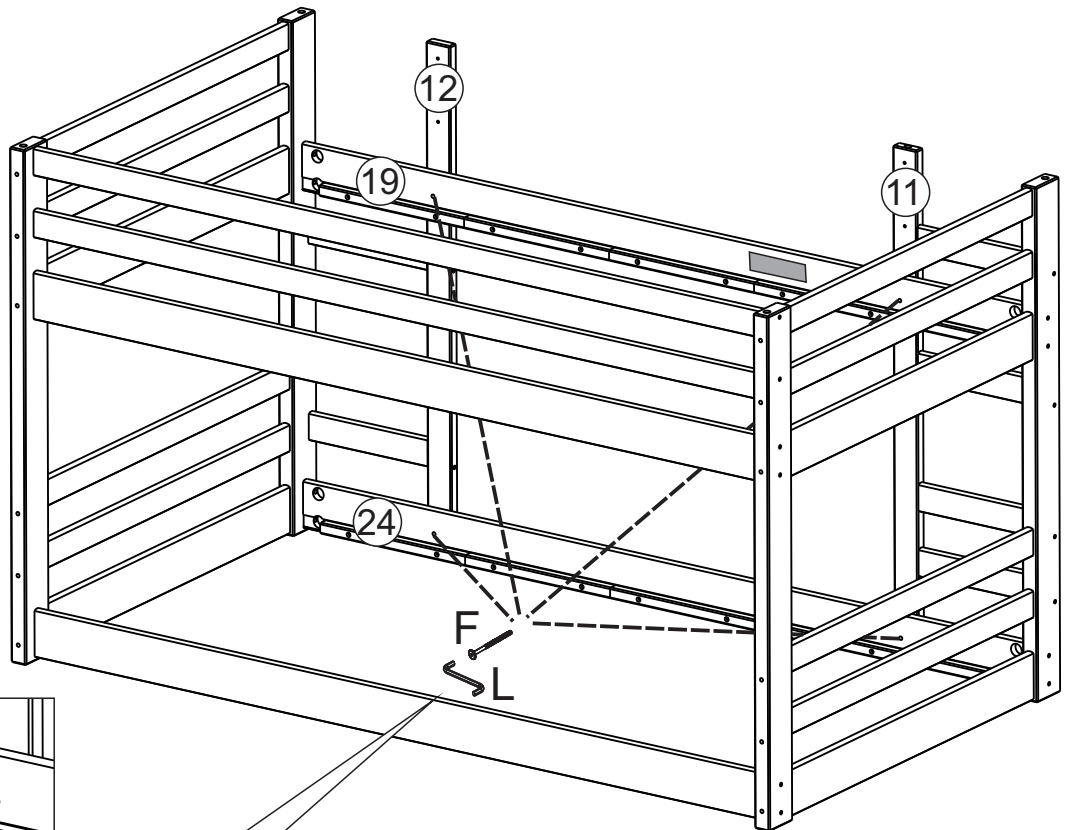




Attach ladder side rail (11 and 12) to step (15) using bolts (I) and Hex Key (L).

I	 7x100mm	07
L	 Hex Key	01

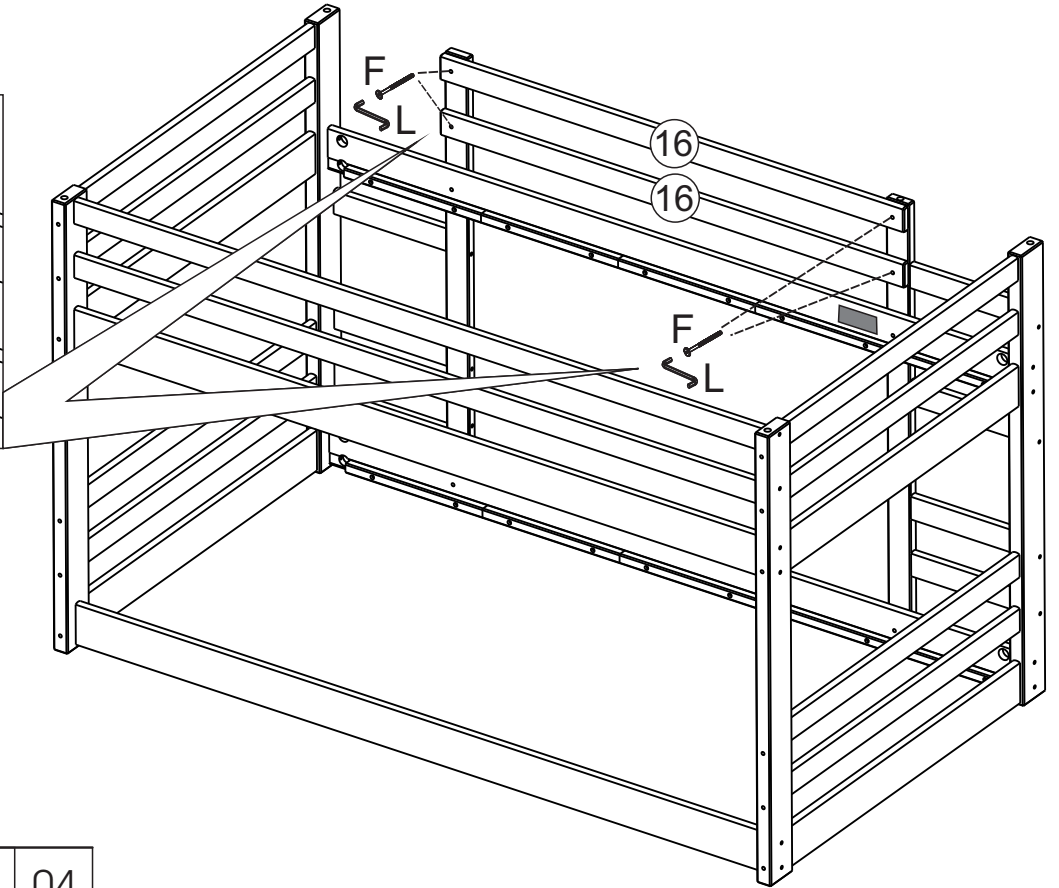
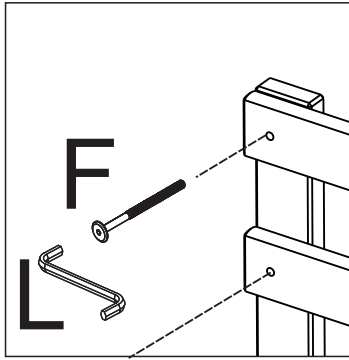
Step 12


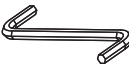
Attach ladder side rail (11,12) to bed rail (19,24) using bolts (F) and Hex Key (L).



F	 7x40mm	04
L	 Hex Key	01

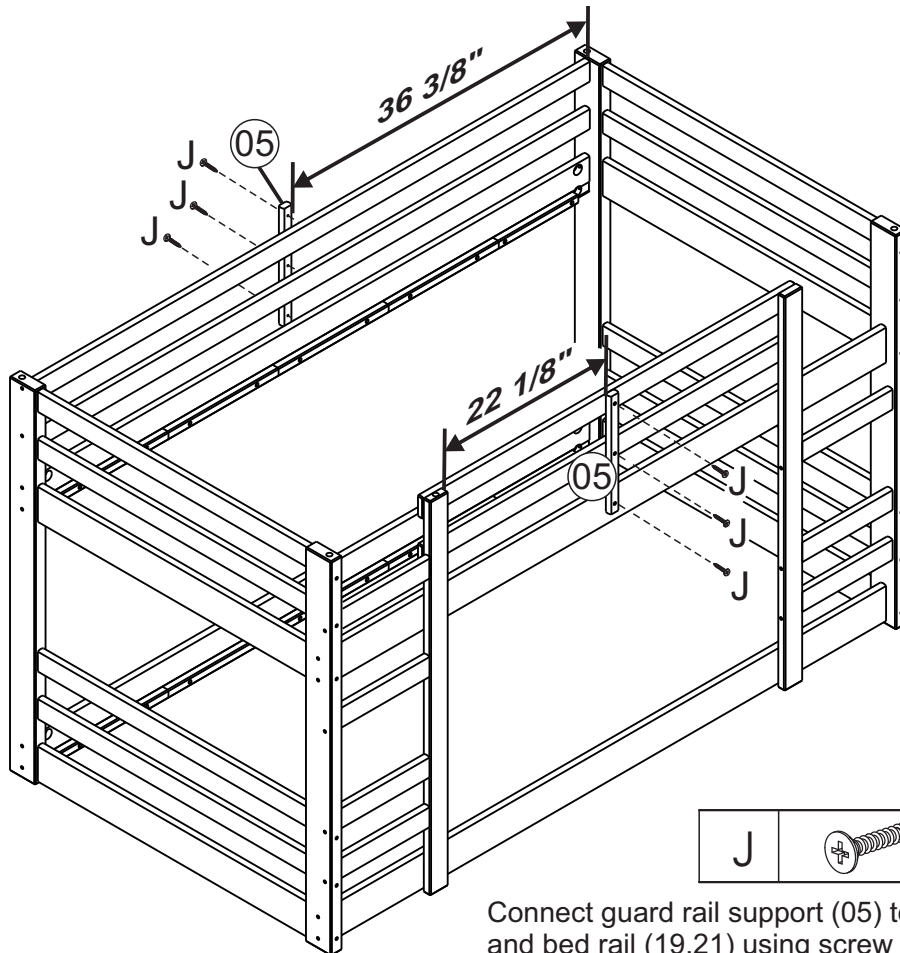
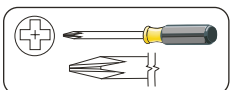
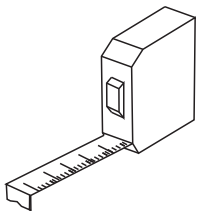
Step 13




F	 7x40mm	04
L	 Hex Key	01

Attach guard rail (16) to ladder side rail (11,12) using bolts (F) and Hex Key (L).

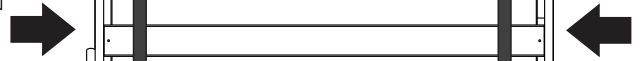
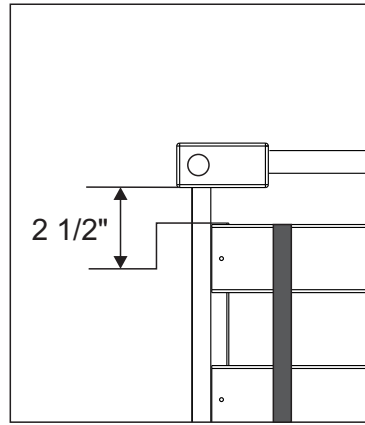
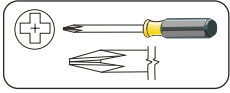
Step 14



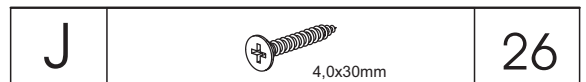
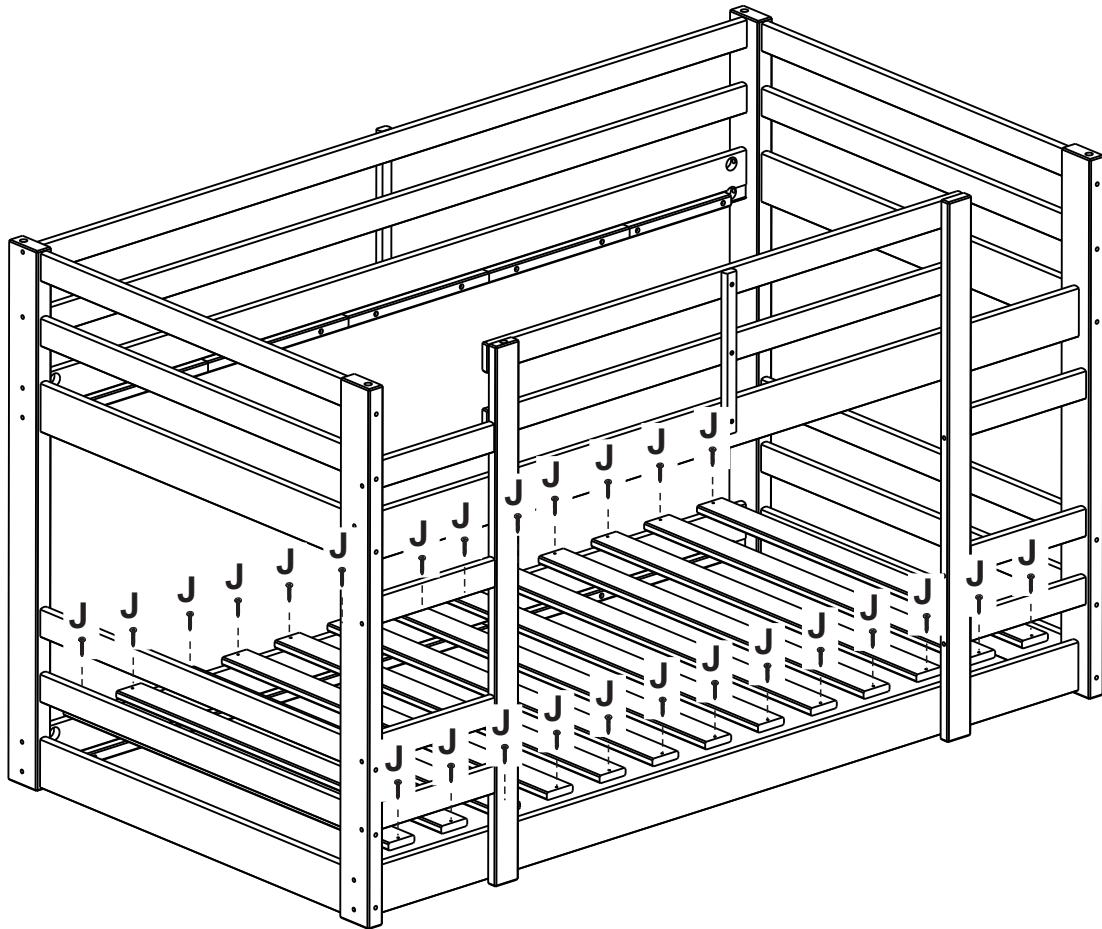
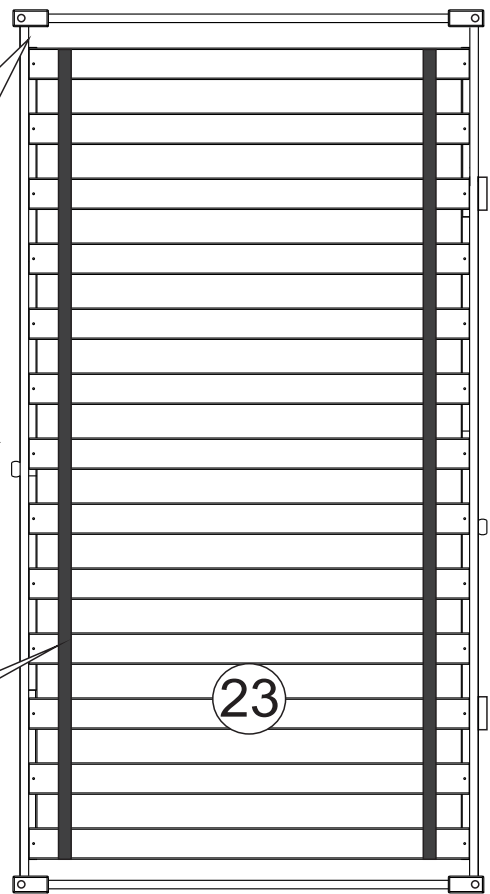
J	 4.0x30	06
---	--	----

Connect guard rail support (05) to guard rail (16,18) and bed rail (19,21) using screw (J). Follow measurements shown in diagram.

Step 15

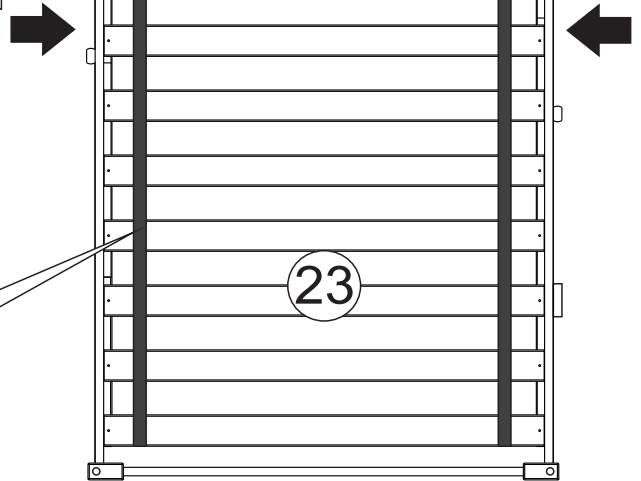
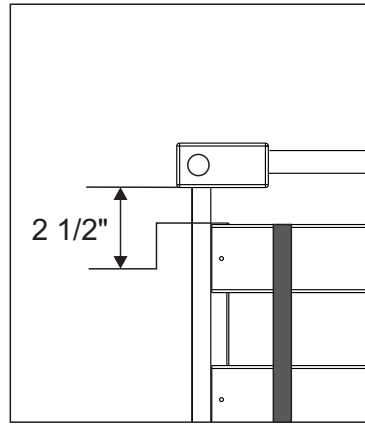
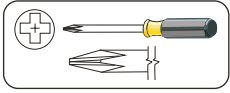


Install slat kit with spacer tape on top (Facing up).

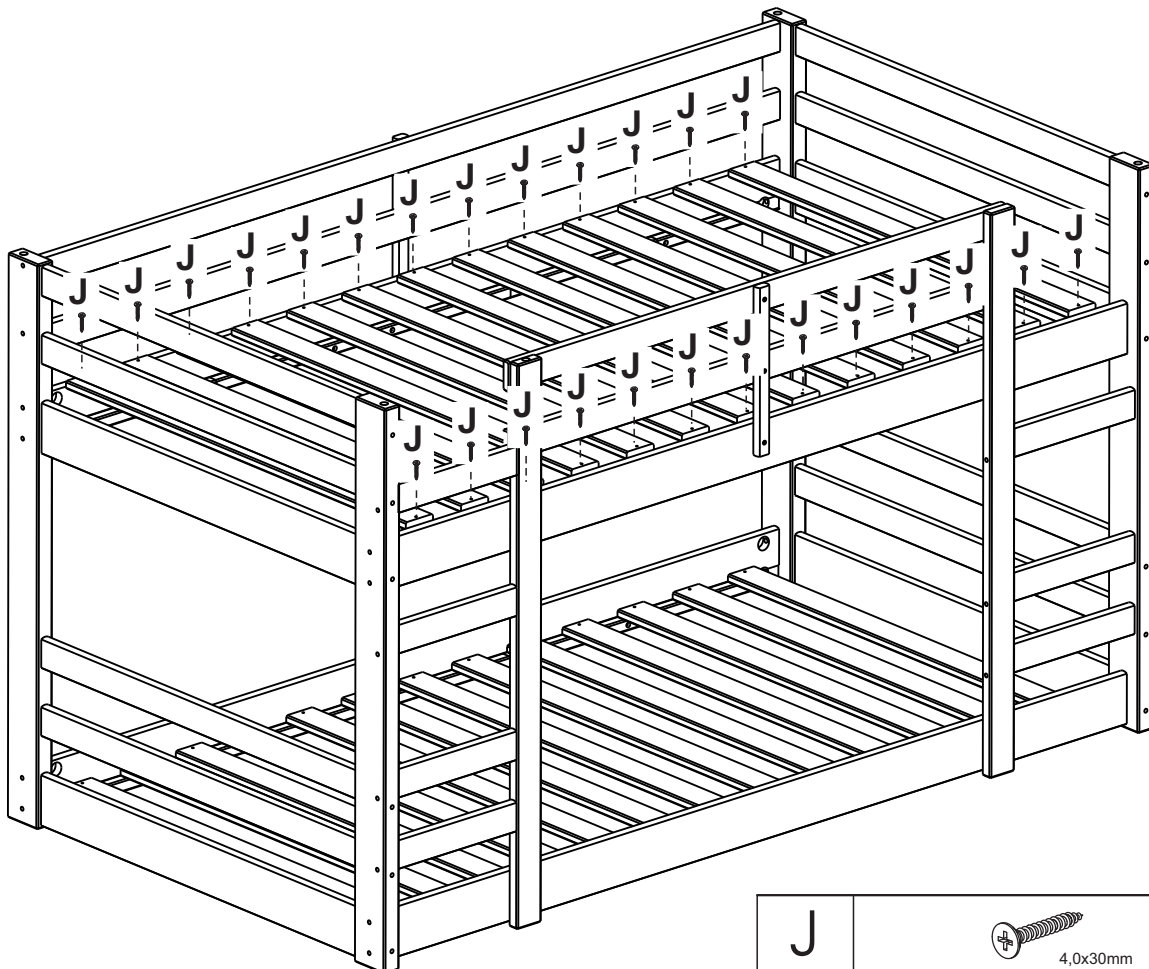



Install slat kit (23) to bed rails with screws (J). Spacer tape will face up.

Step 16



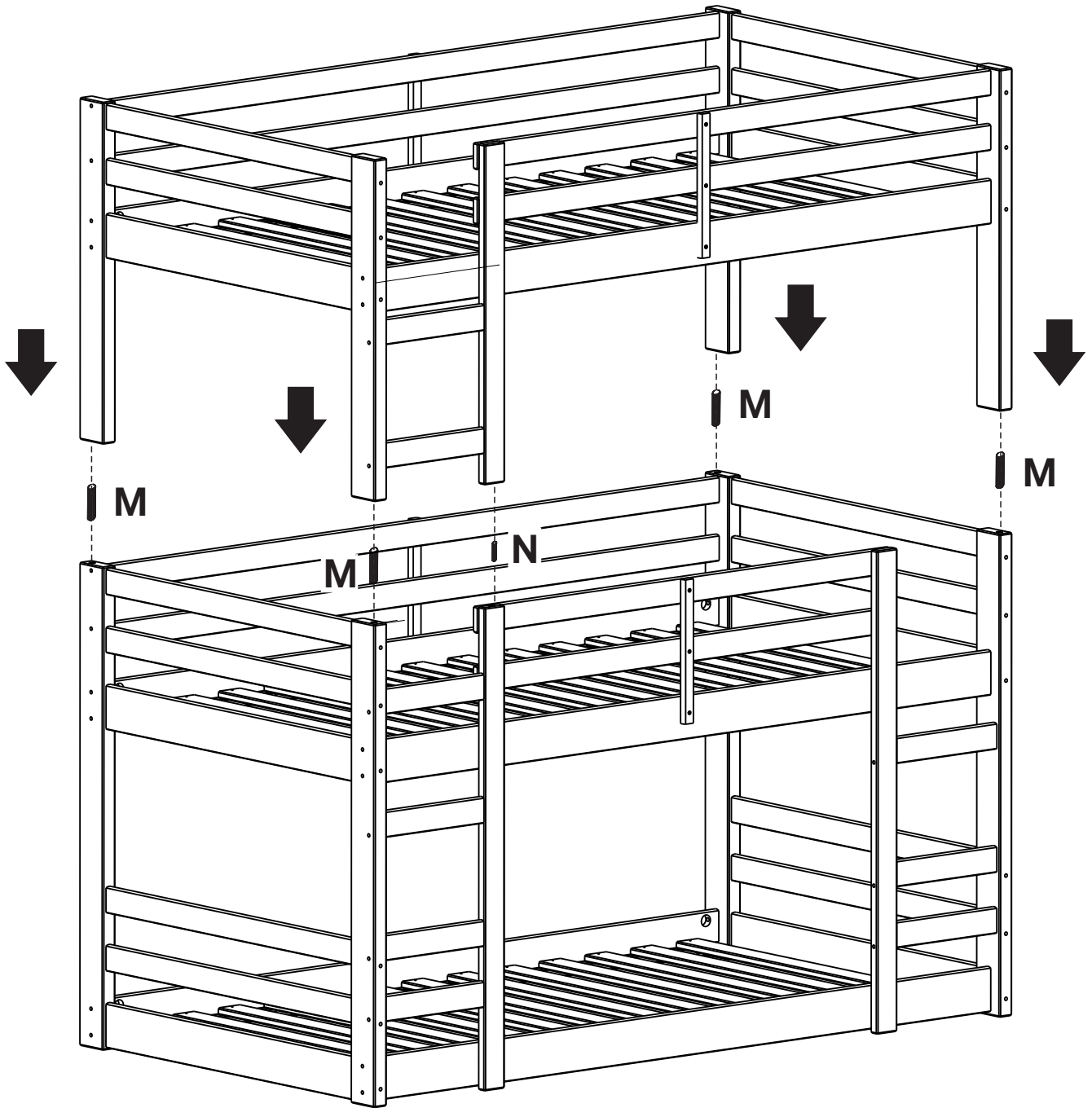
Install slat kit with spacer tape on top (Facing up).





J	 4,0x30mm	26
---	--	----

Install slat kit (23) to bed rails with screws (J). Spacer tape will face up.

Step 17



M	 15x100	04
N	 15x50	01