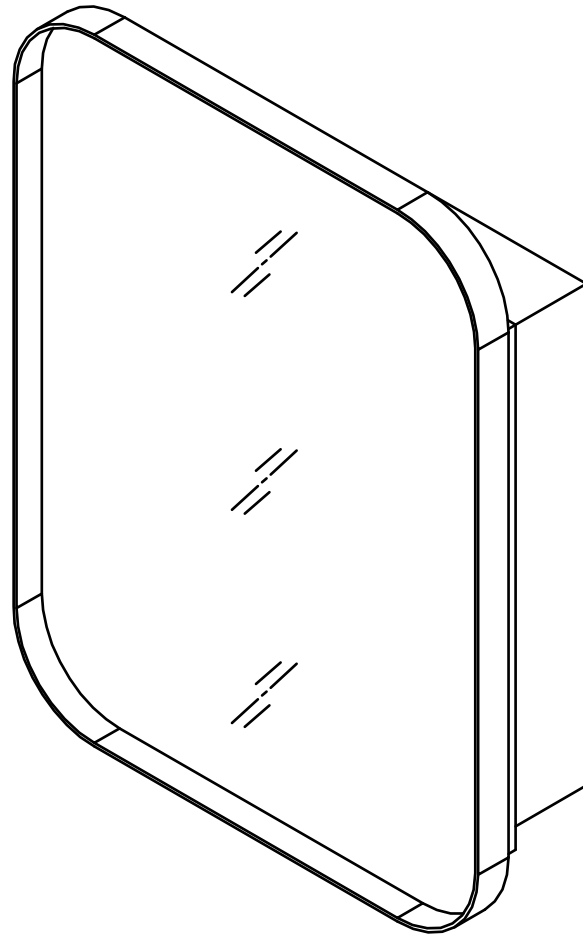


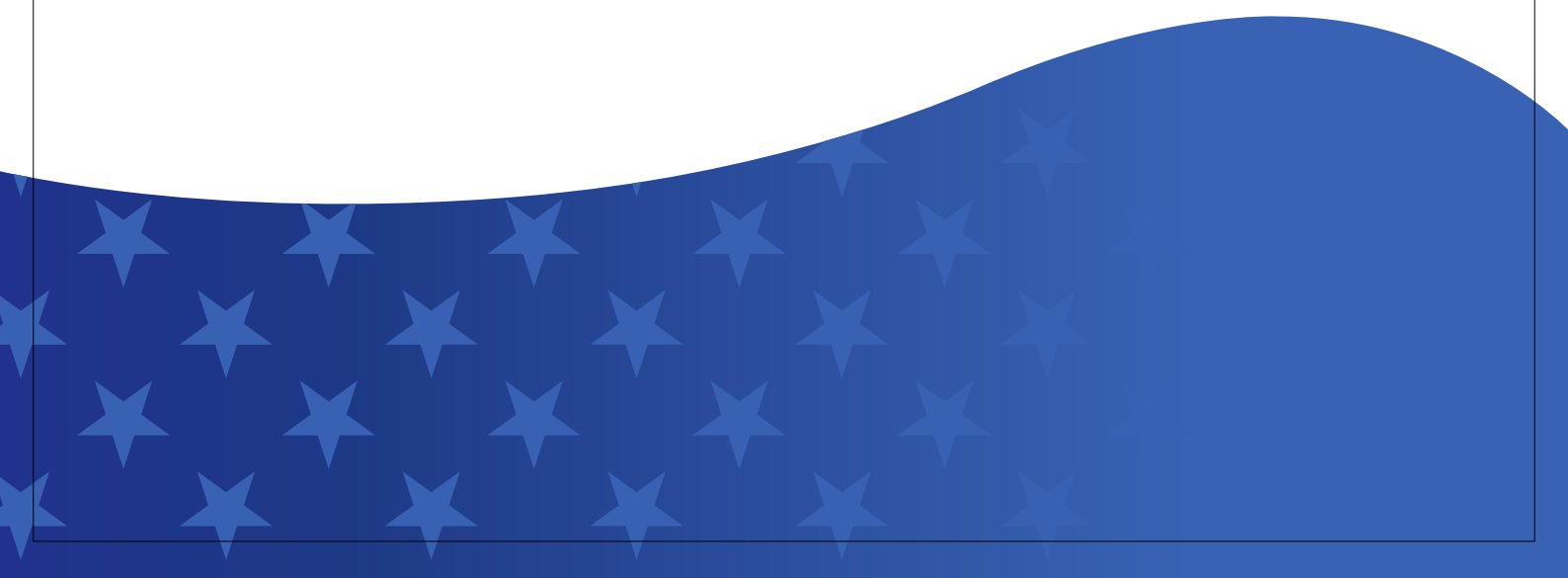
# Installation Manual



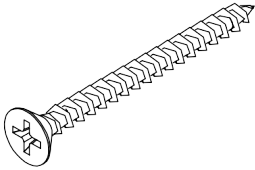
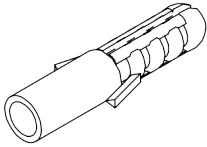
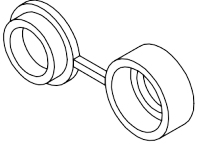
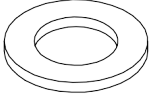
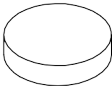
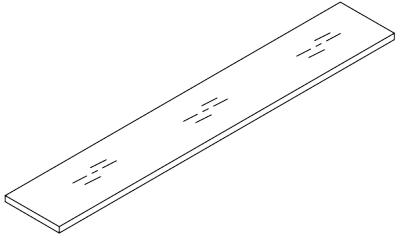
## **Medicine Cabinet with Mirror**

# INDEX

1. Installation Preparation . . . . .	P01
2. Installation Instruction . . . . .	P02-05

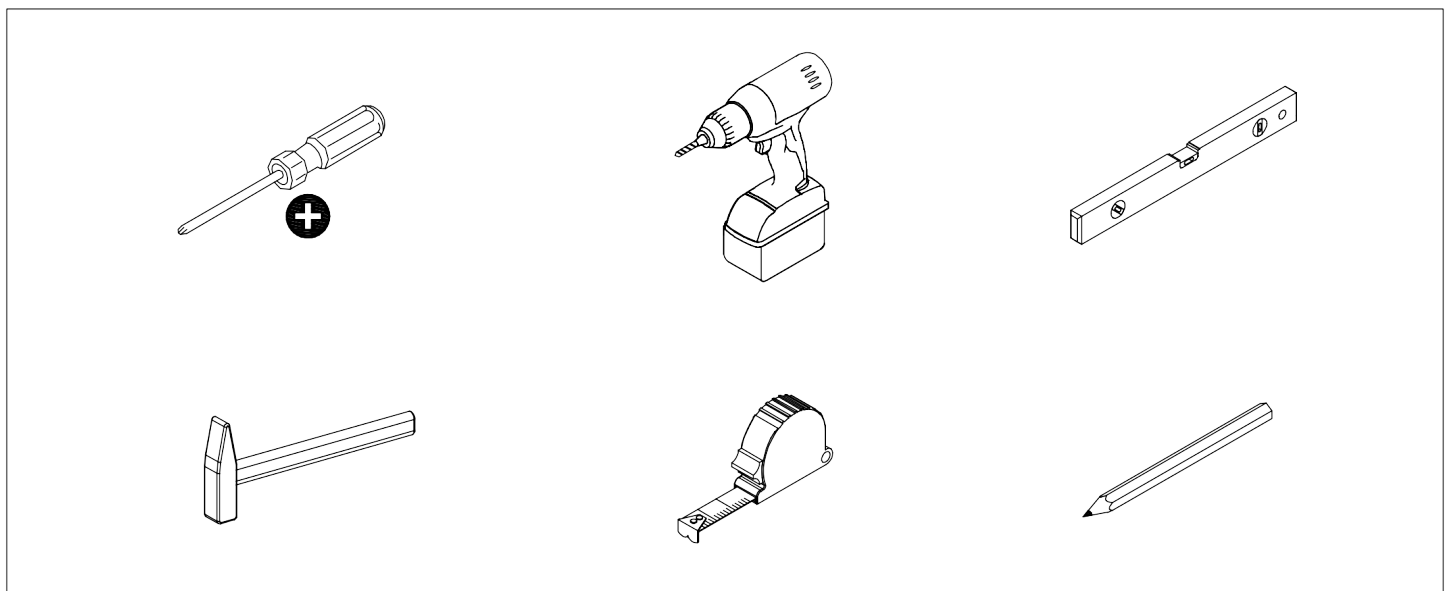


# List of Parts

A 8pcs  Screws	B 8pcs  Rubber plug screws	C 8pcs  Screw cover
D 8pcs  Screw washers	E 12pcs  Rubber mat	F 2pcs  Glass shelf

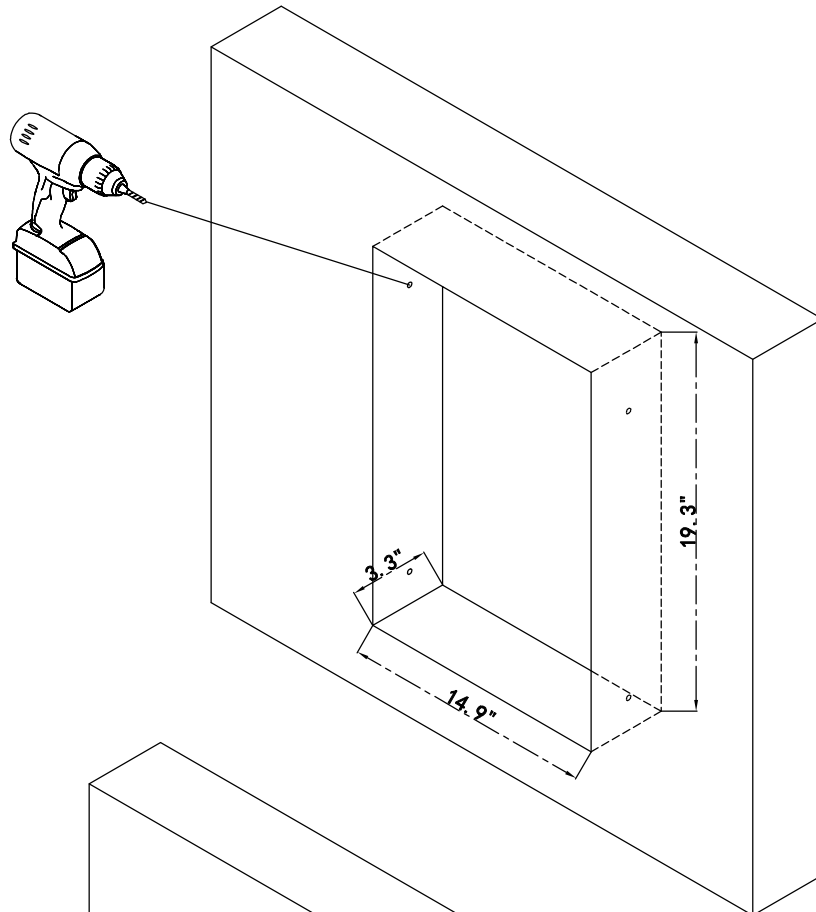
Please make sure all the parts are included.

# Additional Tools Required

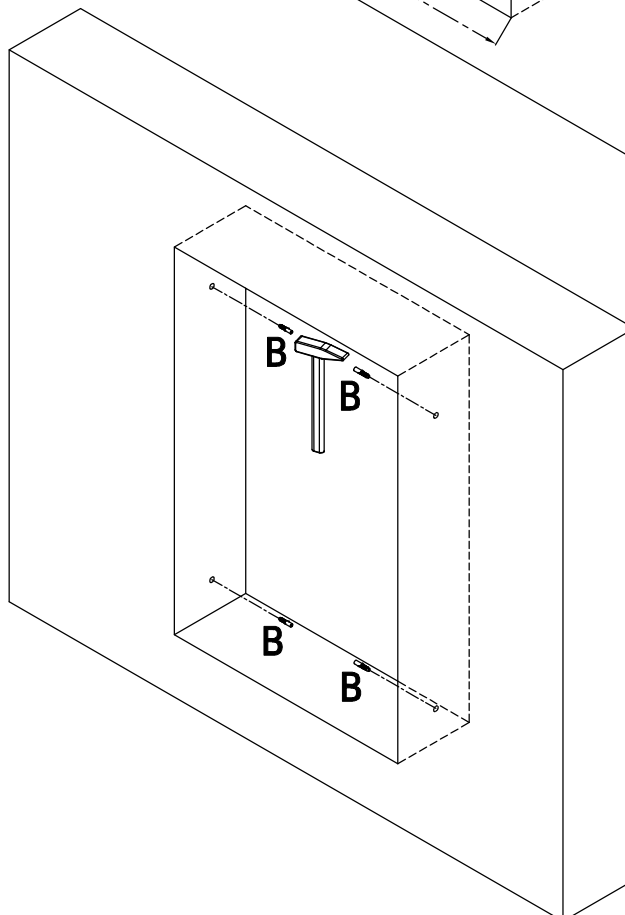


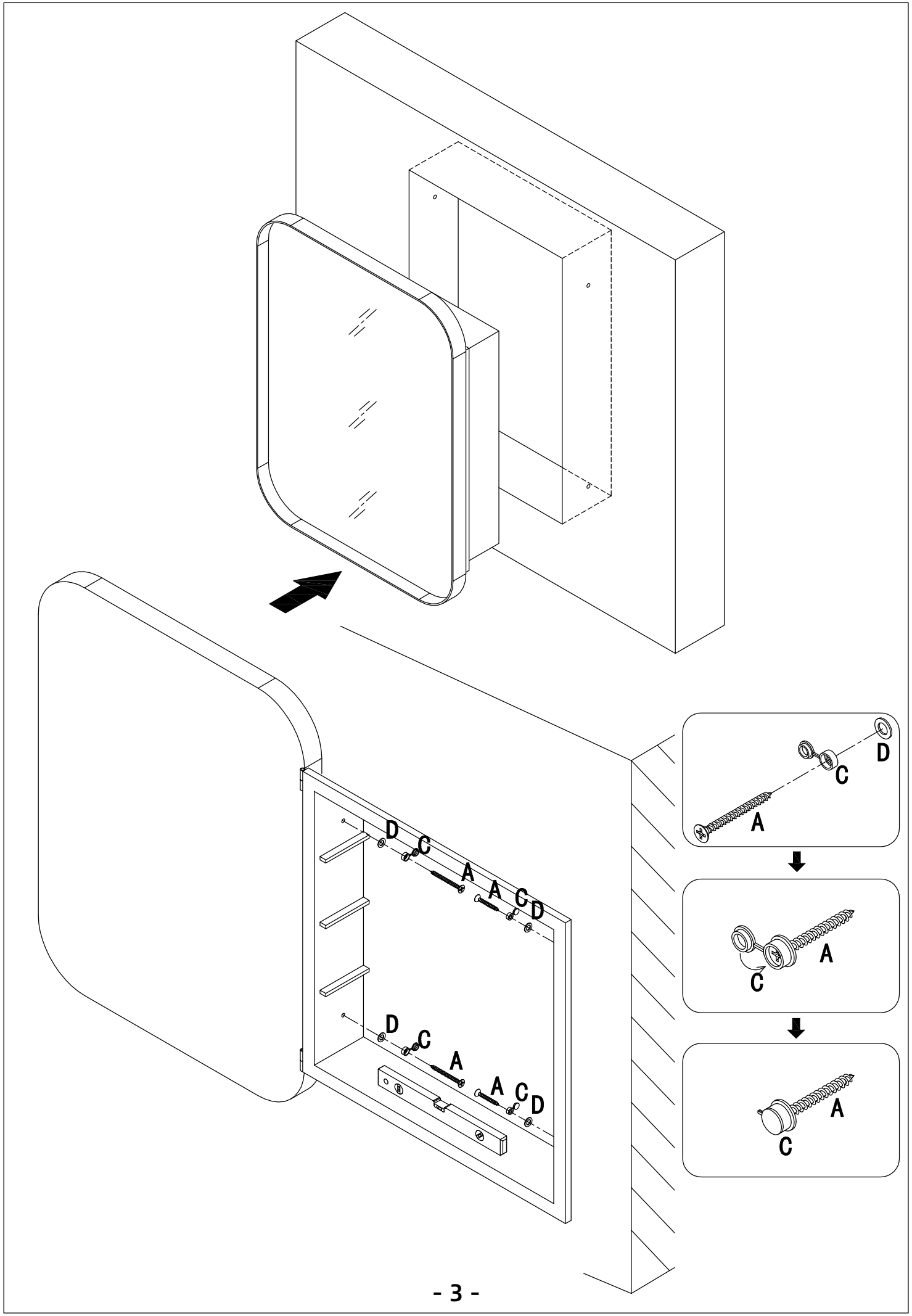
# Rough Wall Opening

Overall Size	Rough Wall Opening
16 in.(W) X 24 in.(H) X 4.5 in.(D)	14.9 in.(W) X 19.3 in.(H) X 3.3 in.(D)



Mark four (4) mounting holes on the wall corresponding to the pre-drilled hole locations in the mounting bars on the inside back panel of the cabinet.





# Surface installation

Mark four (4) mounting holes on the wall corresponding to the pre-drilled hole locations in the mounting bars on the inside back panel of the cabinet.

