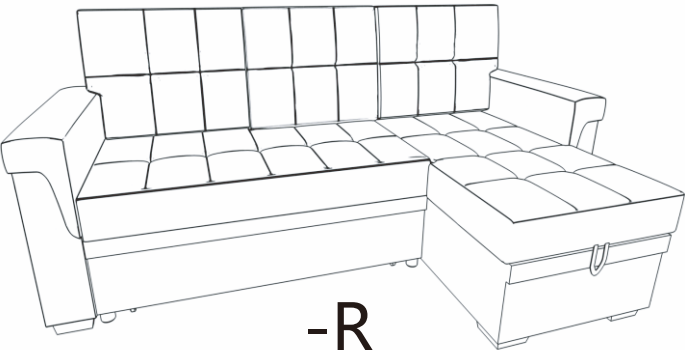
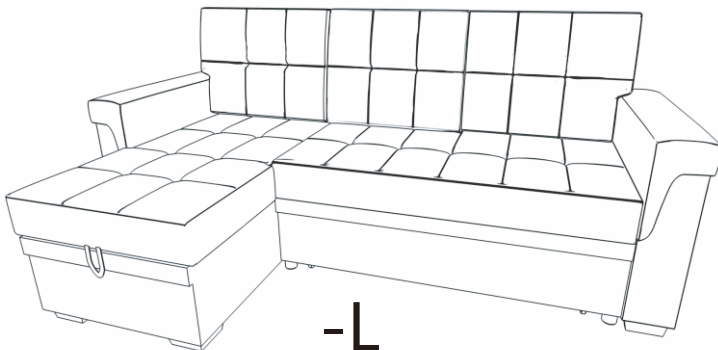


# ASSEMBLY INSTRUCTIONS



-R



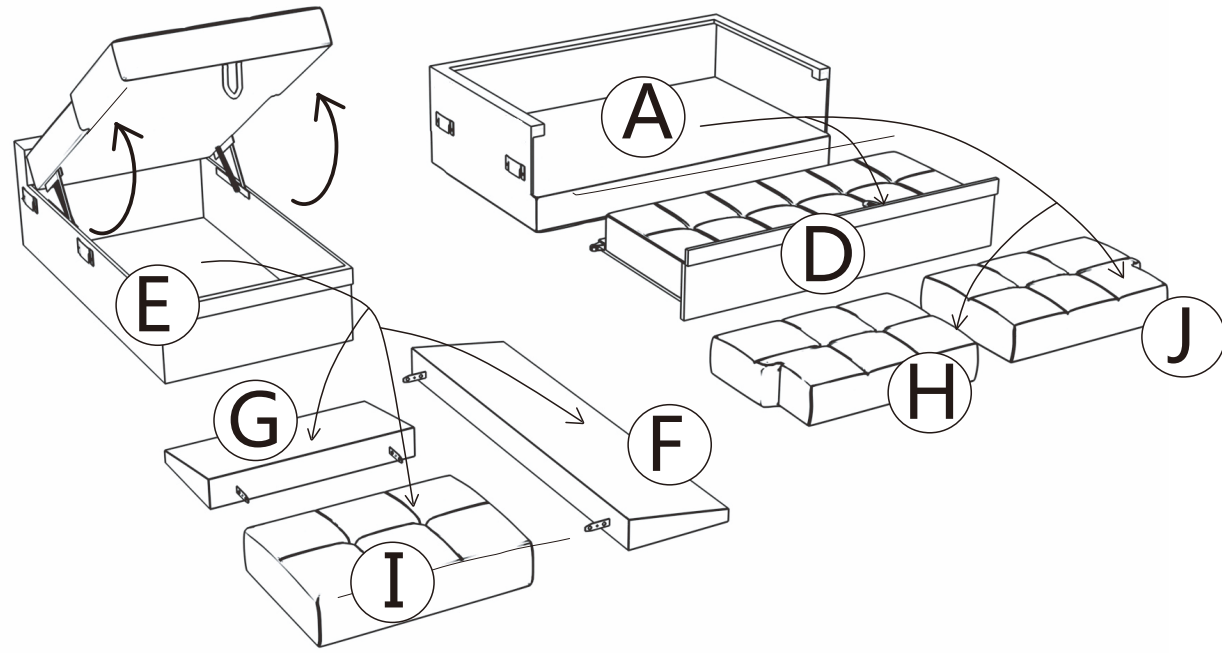
-L

## PARTS LIST

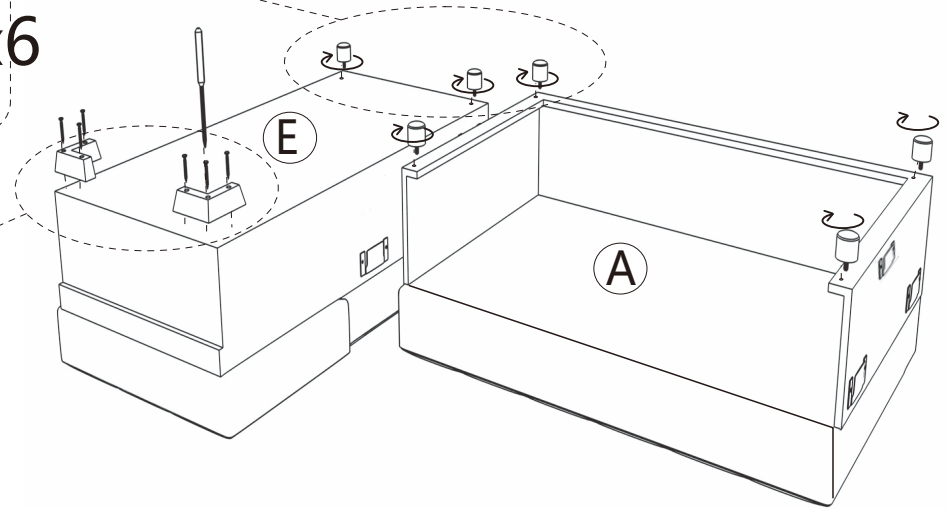
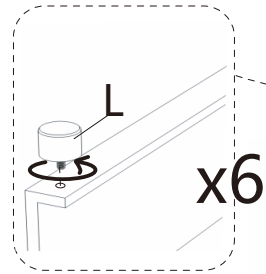
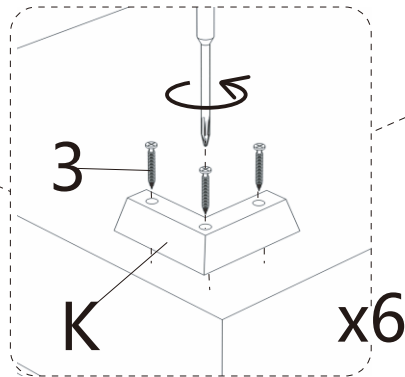
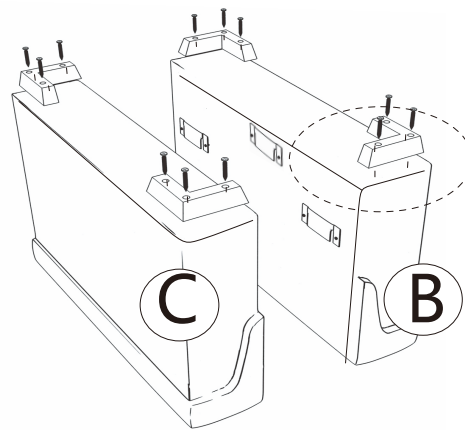
<b>A</b>	x1	<b>B</b>	x1	<b>C</b>	x1
<b>D</b>	x1	<b>E</b>	x1	<b>F</b>	x1
<b>G</b>	x1	<b>H</b>	x1	<b>I</b>	x1
<b>J</b>	x1	<b>K</b>	x6	<b>L</b>	x6

## HARDWARE LIST

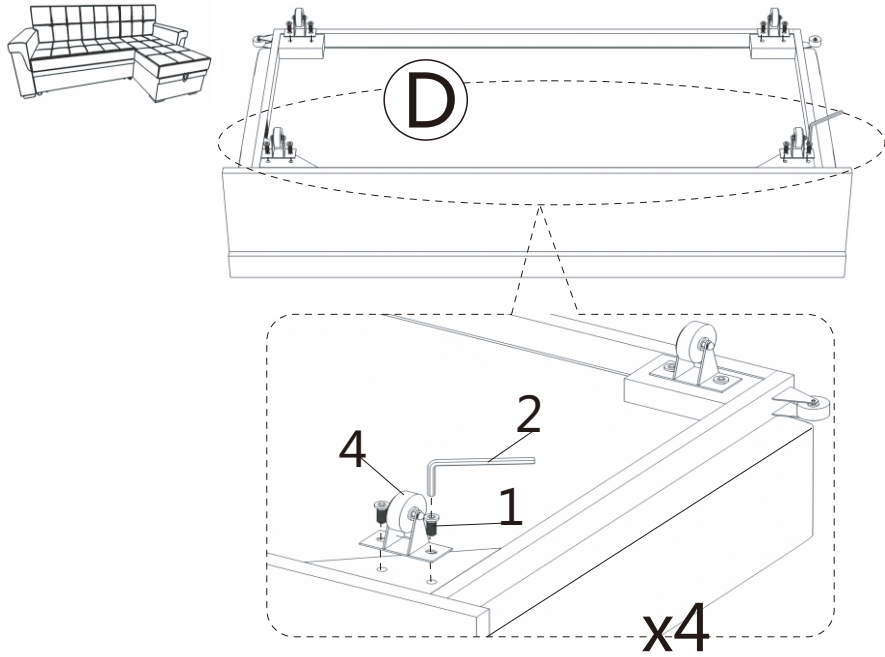
<b>1</b>	x8	<b>2</b>	x1	<b>3</b>	x18
<b>4</b>	x4				



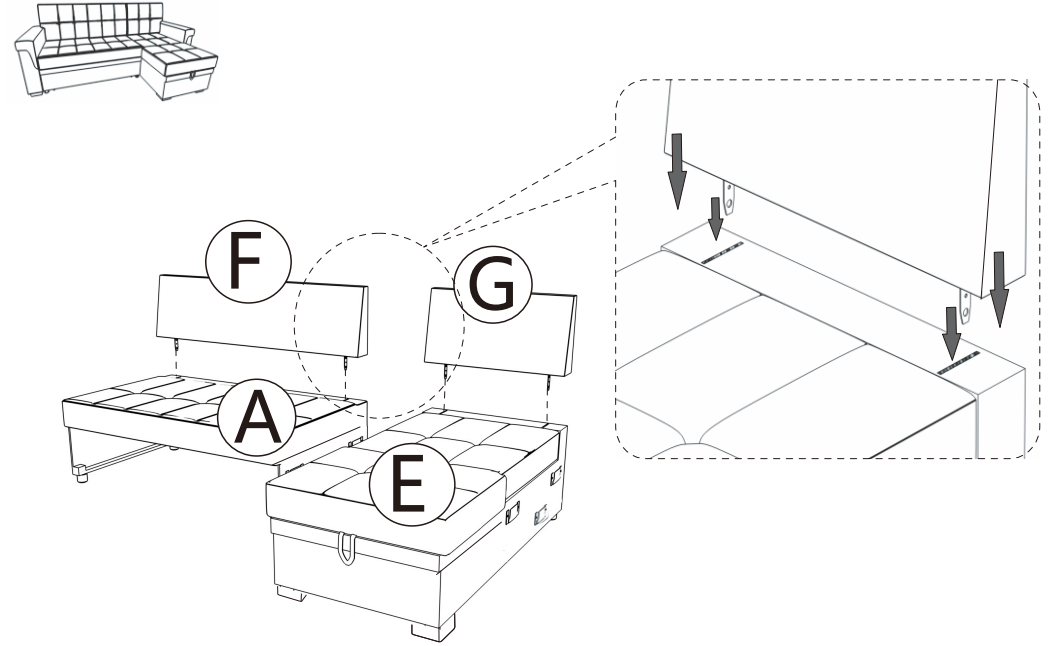
**Step1-R**



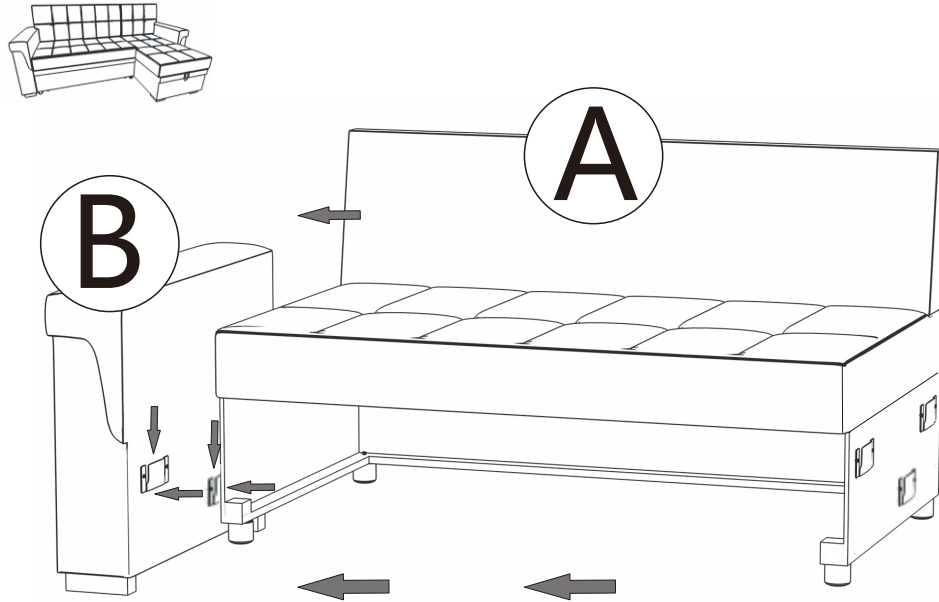
### Step2-R



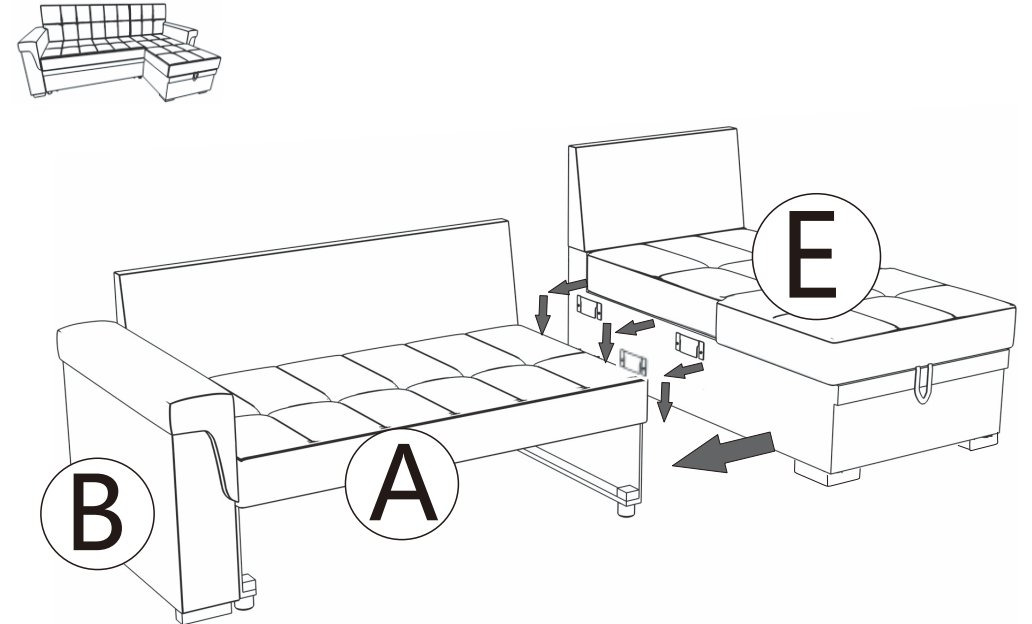
### Step3-R



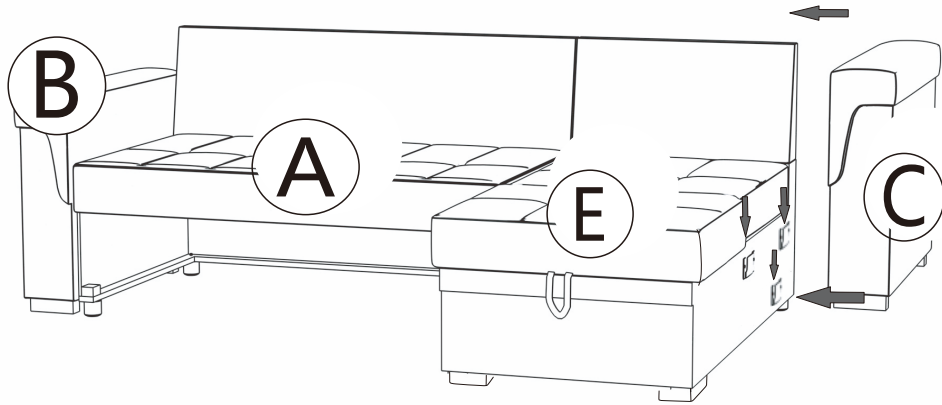
### Step4-R



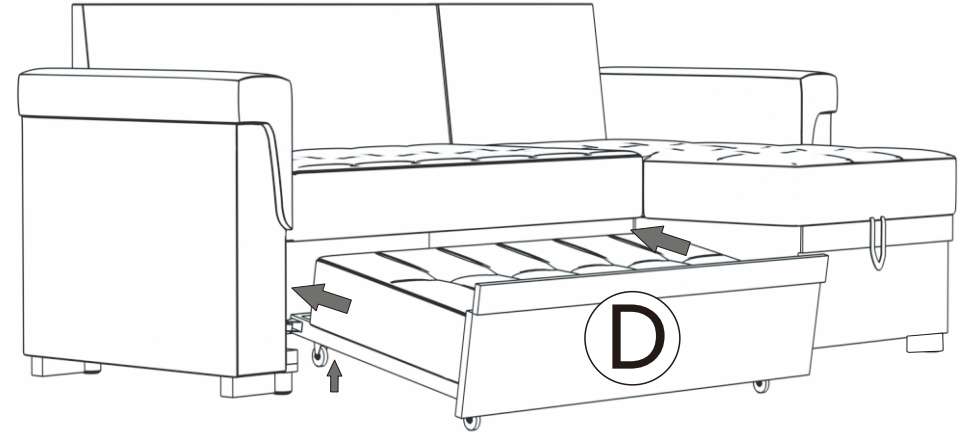
### Step5-R



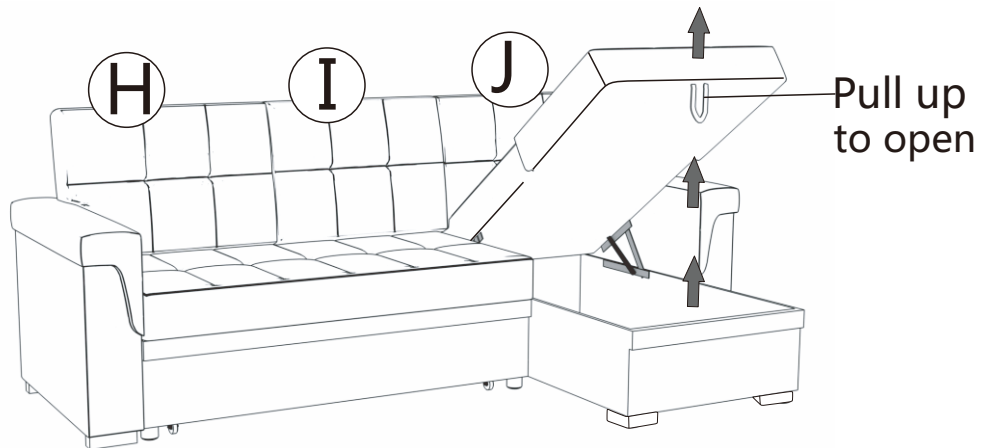
### Step6-R



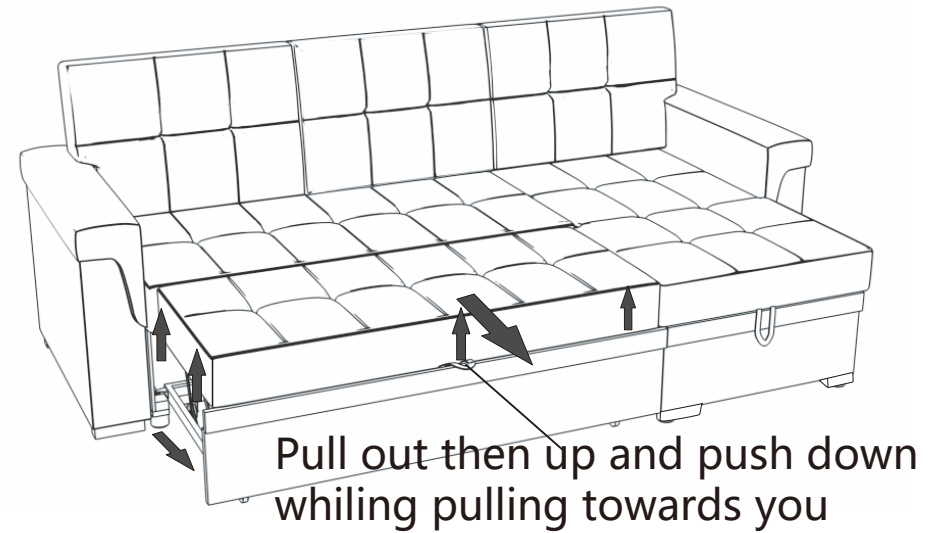
### Step7-R



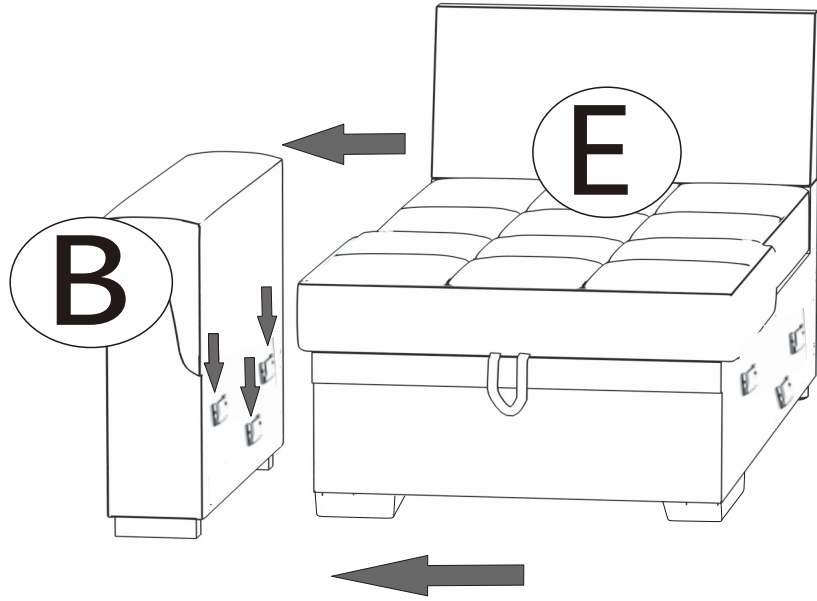
### Step8-R



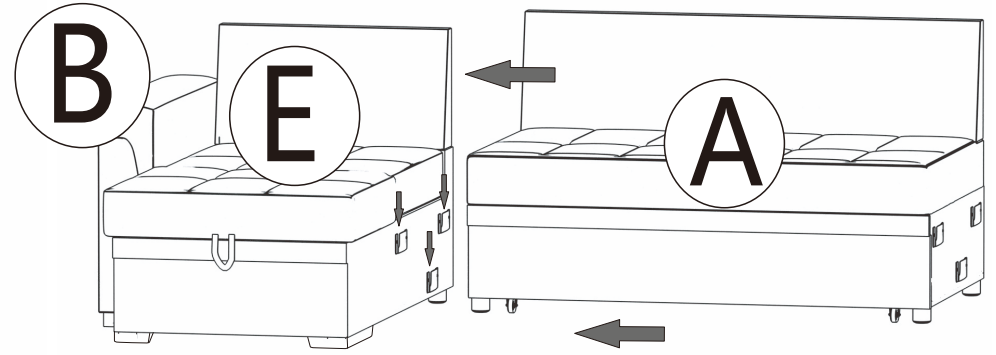
### Step9-R



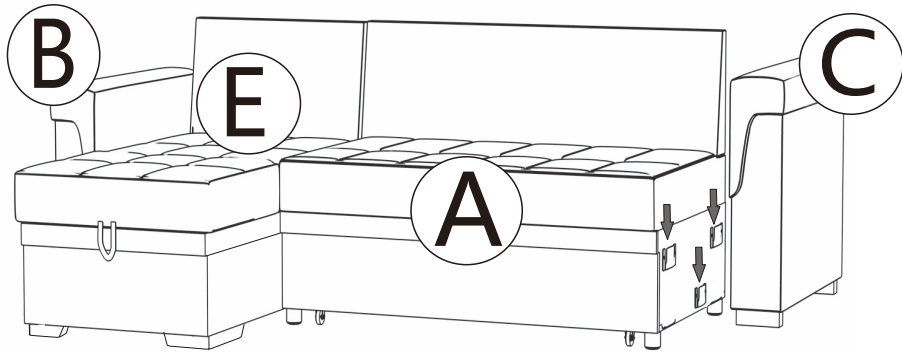
### Step1-L



### Step2-L



### Step3-L



### Step4-L

