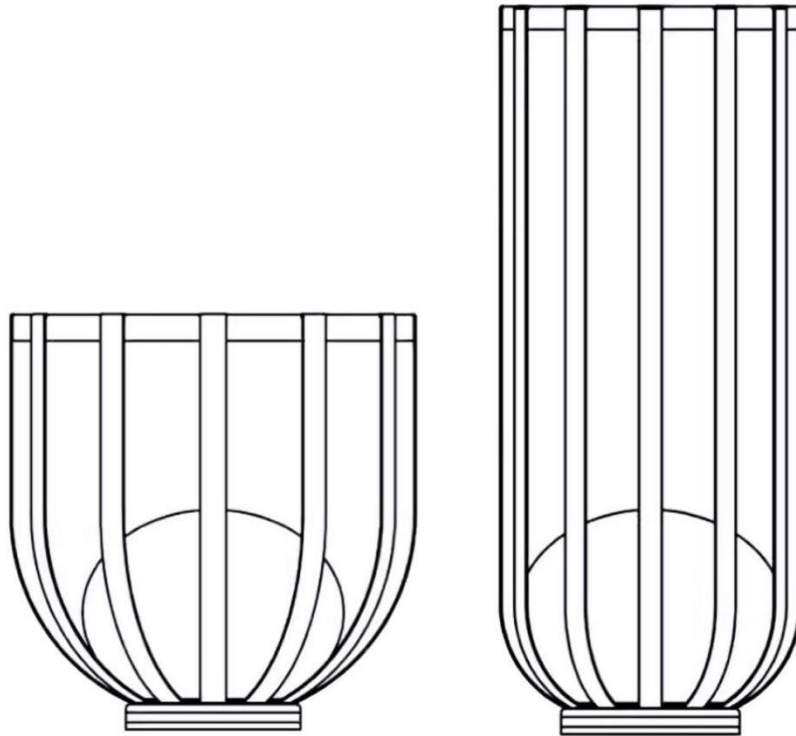


Solar LED Tall Floor Lamp

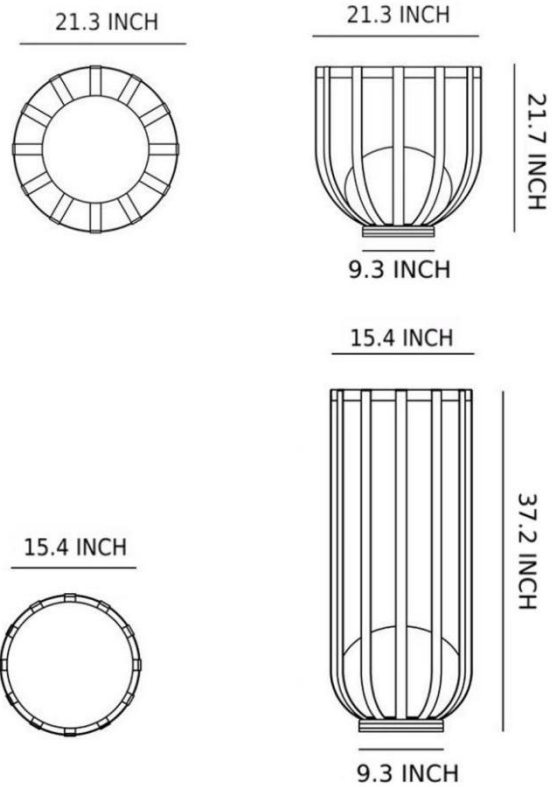


The Solar Outdoor LED Floor Lamp is a contemporary piece of Spanish design, and their well-known blend of wit and poetry can be seen in the composition. Cleverly arranged, it can be used in versatile ways, with a removable top that can hold plants or décor above the caged bodice and a softly glowing orb within. Setting the mood is easy with our Outdoor LED Tall Floor Lamp, both as a solo piece or when displayed in multiples for added drama.

Features:

- Caged Bodice
- Softly Diffused Light
- Remote Control (Battery Not Included)
- Removable Table Top Surface
- Material: Metal, Polyethylene
- 3000K Warm White
- IP65

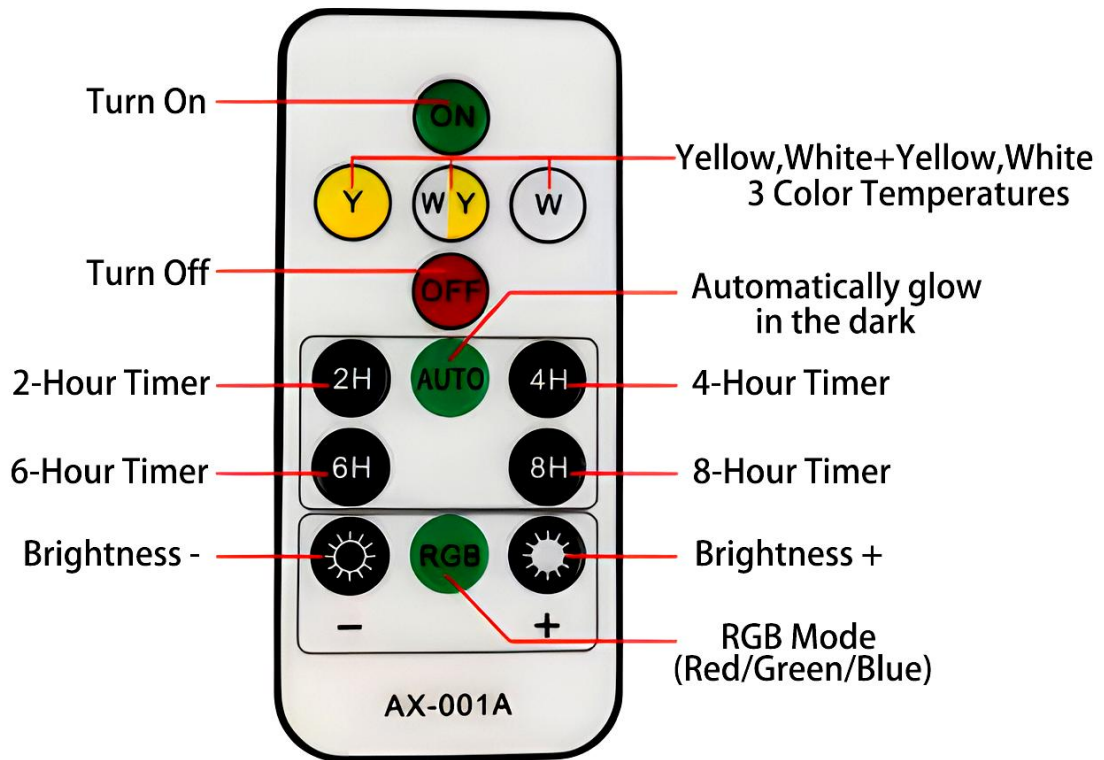
Dimensions:



Installation (Optional)

| | |
|---|---|
| | |
| <p>Expansion screw A is used to fix the base to on the cement floor. (The screws can be fixed in any two symmetrical holes circled in red on the chassis.)</p> | <p>Screw B is used to fix the solar panel to the ground.</p> |
| | |

Remote Manual



Charging Your Lamp:

- Allow the lamp to charge in direct sunlight for 6-8 hours before first use.
- The lamp's LED indicator will show when it's fully charged.
- Avoid placing the lamp in shaded areas as it may affect charging efficiency.

Maintenance and Care:

- Clean the solar panel regularly with a soft, dry cloth to ensure optimal charging.
- Store the lamp indoors during extreme weather conditions to prevent damage.

Battery Maintenance:

- Our lamps use long-lasting, rechargeable batteries. Refer to the manual for battery specifications and replacement instructions.
- Dispose of old batteries responsibly.

Safety First:

- Do not place the lamp near flammable materials.
- Handle the lamp carefully to avoid breakage or injury.

Troubleshooting:

- If the lamp is not functioning properly, consult the troubleshooting section of the manual. For additional assistance, our customer support is always ready to help.