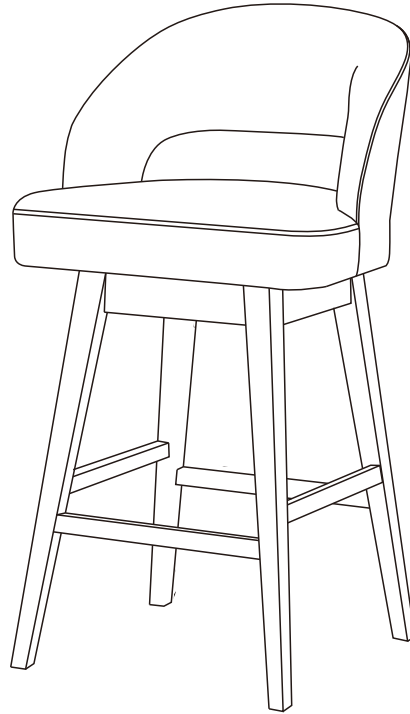

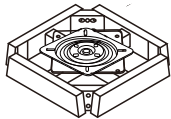


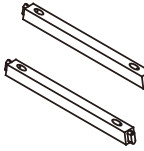
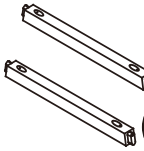








Assembly Manual Counter & Bar Height Swivel Stool



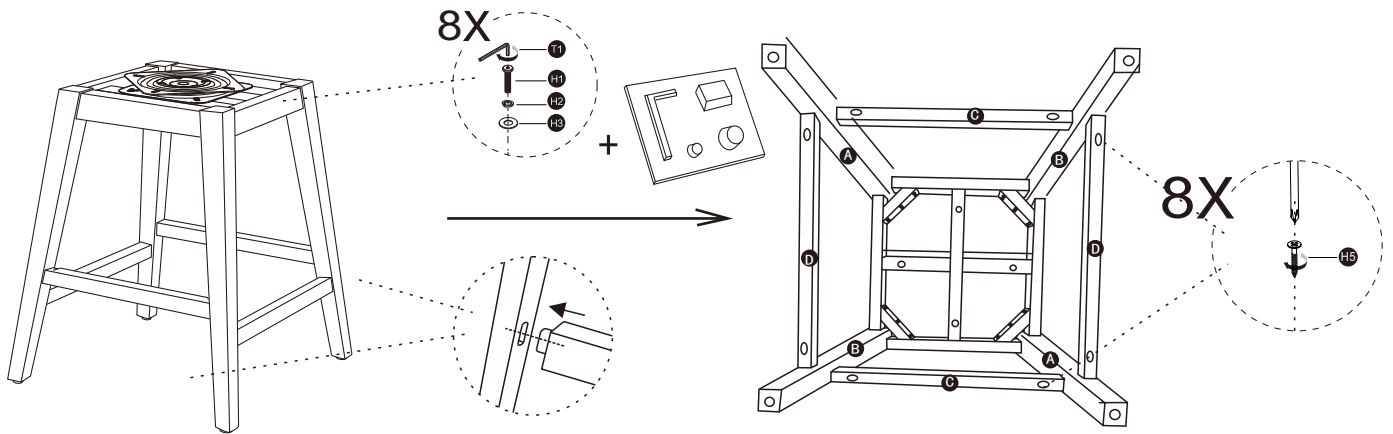
CAUTION

THIS ASSEMBLY MANUAL CONTAINS IMPORTANT SAFETY INFORMATION.
PLEASE READ AND KEEP FOR FUTURE REFERENCE.

<p>Chair back x 1</p> 	<p>Swivel base x 1</p> 	<p>x2</p>  <p>A</p>	<p>x2</p>  <p>B</p>
<p>x2</p>  <p>C</p>	<p>x2</p>  <p>D</p>	<p>H1x8</p> 	<p>H2x8</p> 
<p>H3x8</p> 	<p>H4x4</p> 	<p>H5x8</p> 	<p>T1x1</p> 

ASSEMBLY INSTRUCTIONS

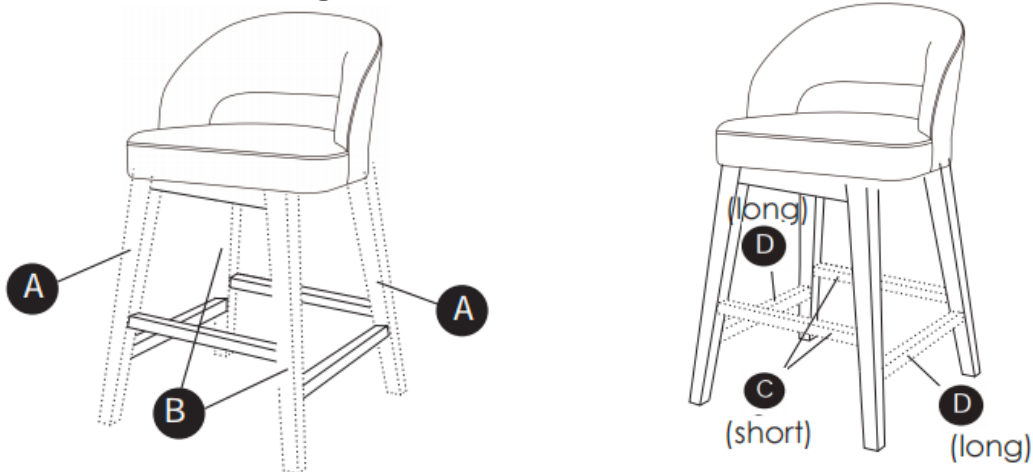
- 1 Attach Legs (A & B) to Seat, using bolts (H1), lock washers (H2), flat washers (H3), and allen wrench (T1).
Note: Do not fully tighten yet.



Insert **short** side rails (C) and **long** side rails (D).

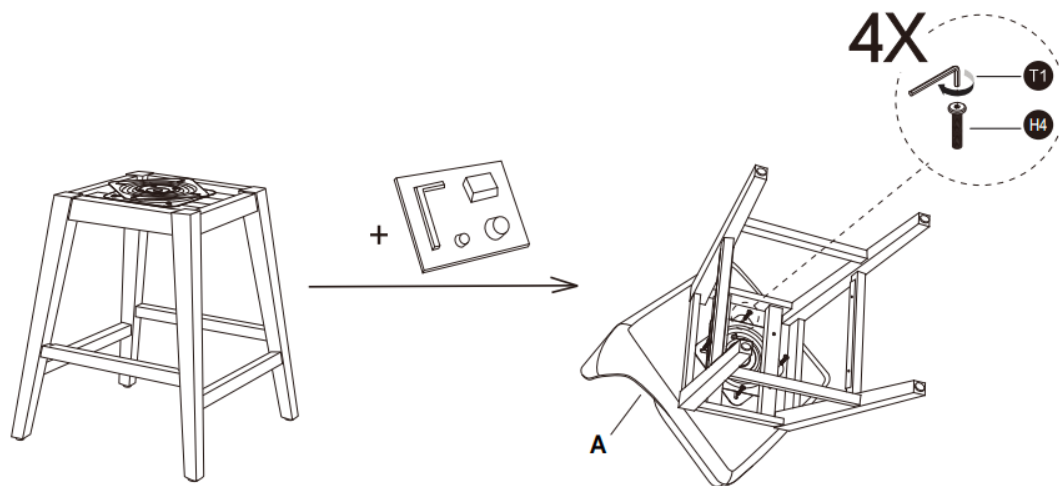
Note: You may need to apply a little pressure to enable the rails to slot into position.

Attach the rails using screws (H5)

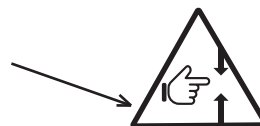
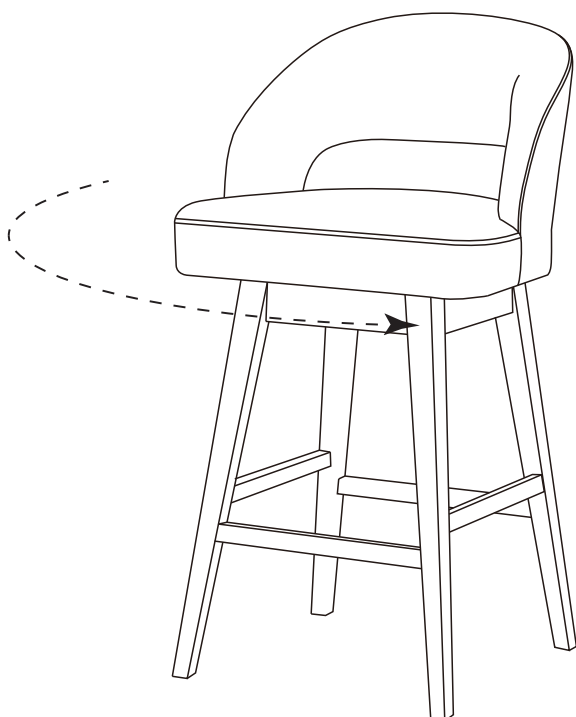


ASSEMBLY INSTRUCTIONS

- 2** Insert long bolts (H4) into each corner and use allen wrench (T1) to secure.



4



CAUTION: PINCH POINT.

Please keep hands clear during swivel.