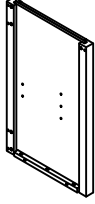
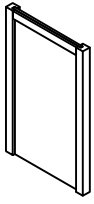
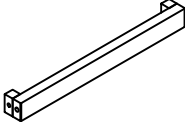
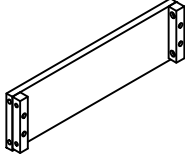
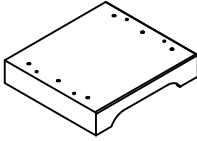
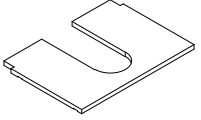
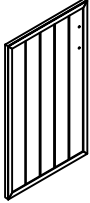


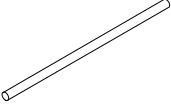
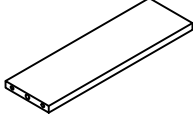
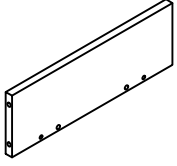
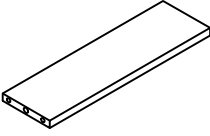
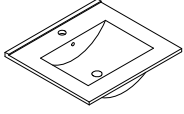
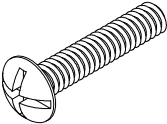
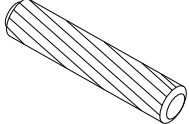
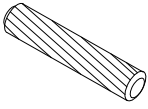
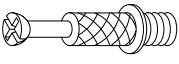
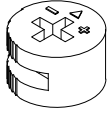
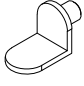
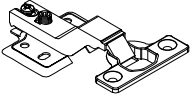

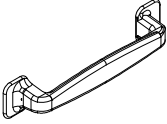




PRODUCT PARTS:

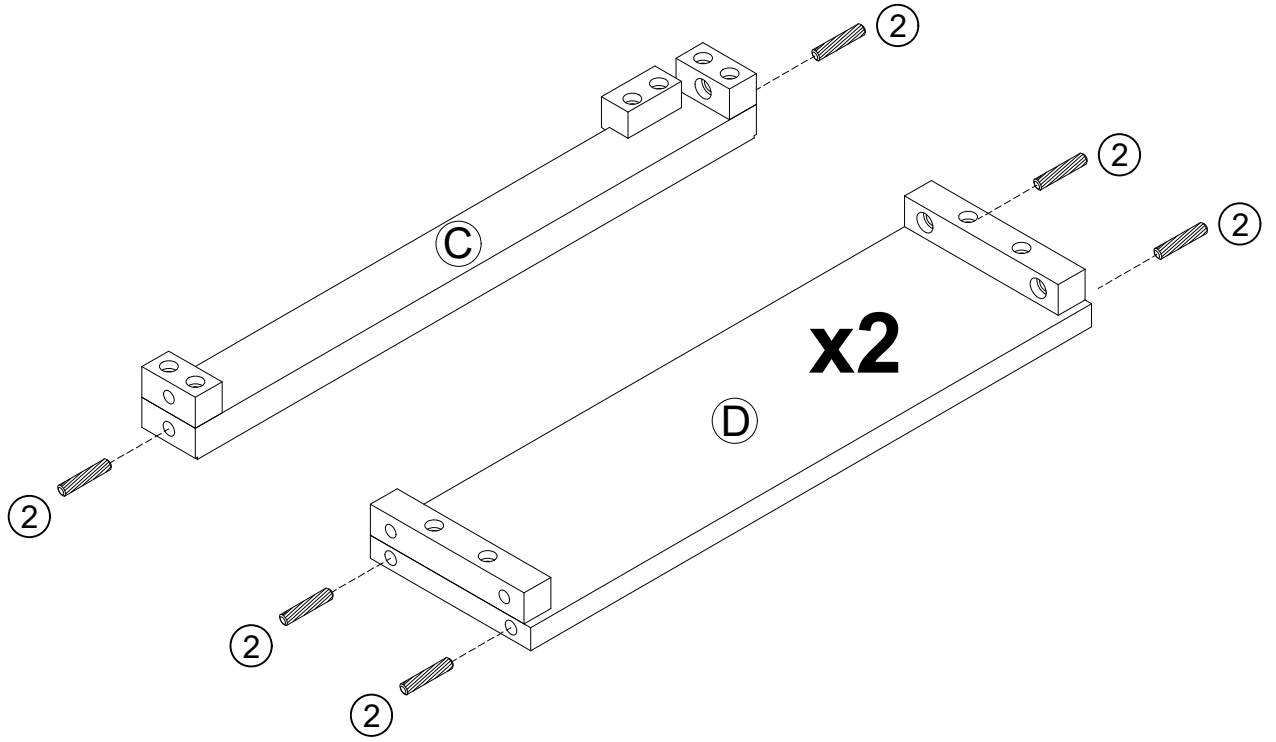
A	B	C	D	E	F
					
1PC	1PC	1PC	2PCS	1PC	1PC
G	H	I	J	K	L
					
1PC	1PC	1PC	1PC	1PC	1PC
M	N				
					
1PC	1PC				

HARDWARE:


①	②	③	④	⑤	⑥
					
1/4"x25mm	Ø8x30mm	Ø6x30mm	Ø6x33mm	Ø15x9mm	
16+1 PCS	14+1PCS	18+1PCS	12+1 PCS	12+1 PCS	4 PCS
⑦	⑧	⑨	⑩		
					
	Ø4x12mm		5/32"x15mm		
2PCS	12+1PCS	1PC	2PCS		

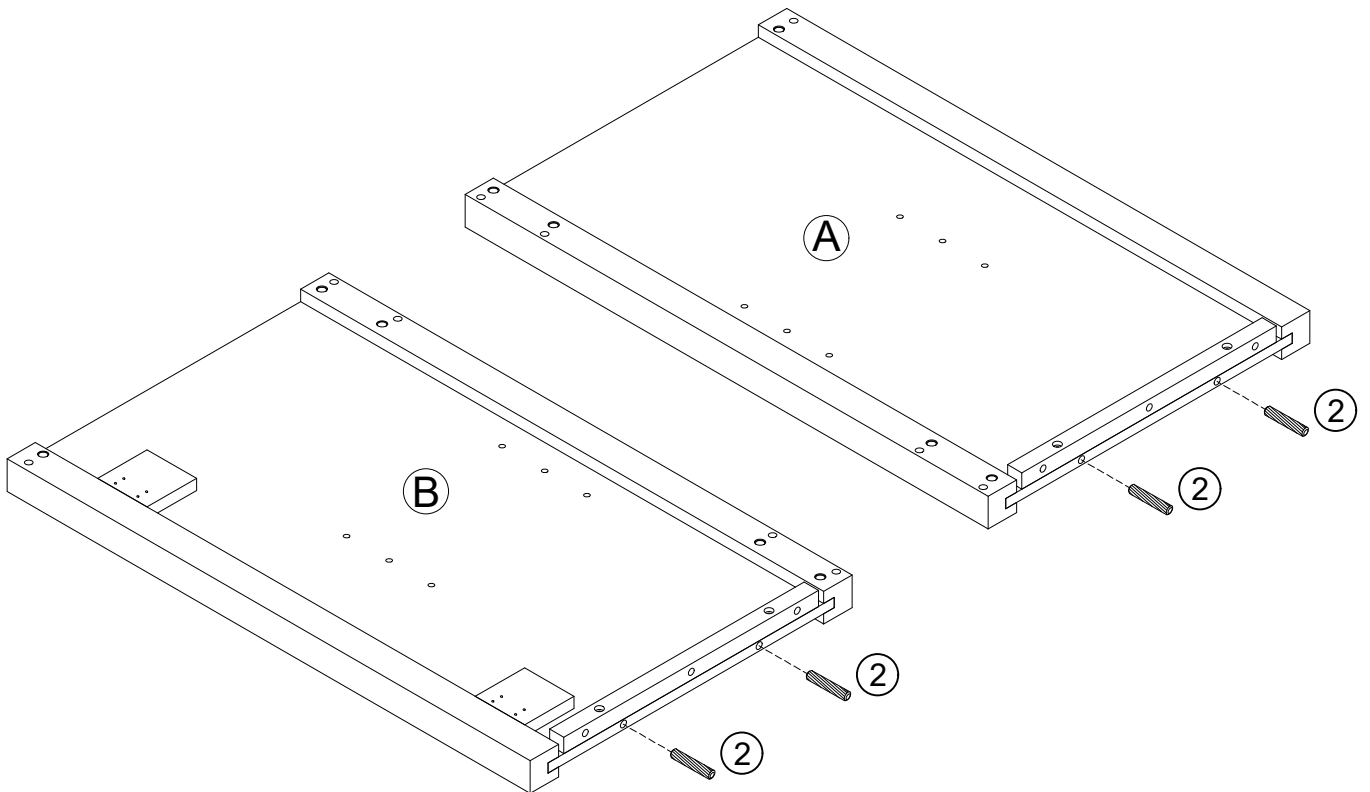
STEP 1

- ②  10pcs
Ø8x30mm



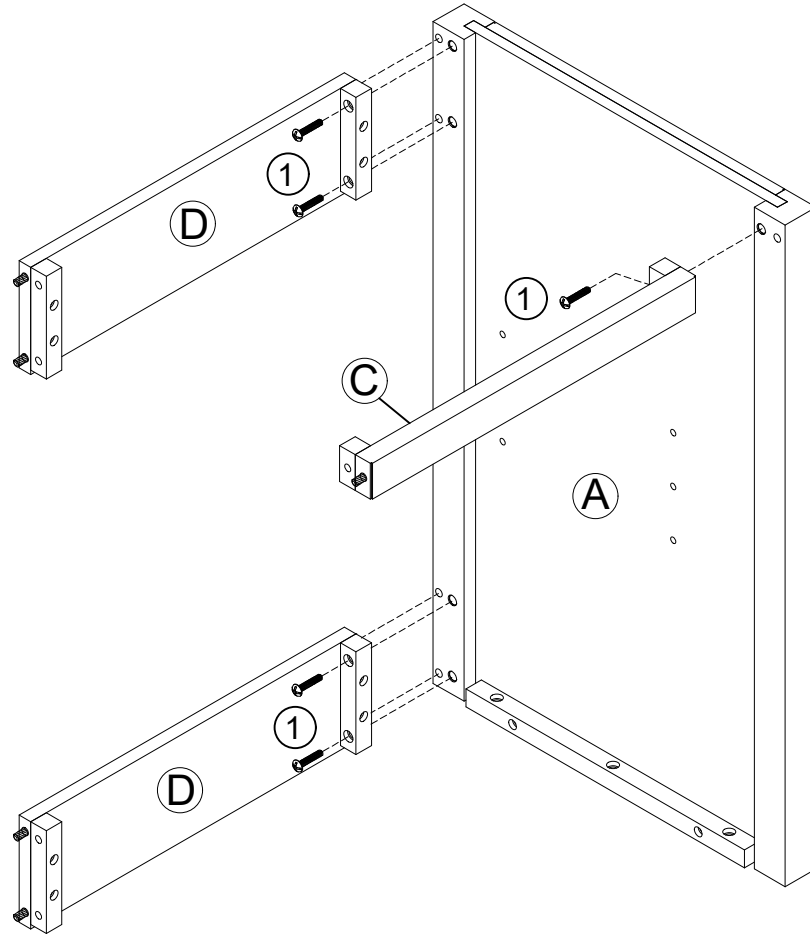
STEP 2

- ②  4pcs
Ø8x30mm




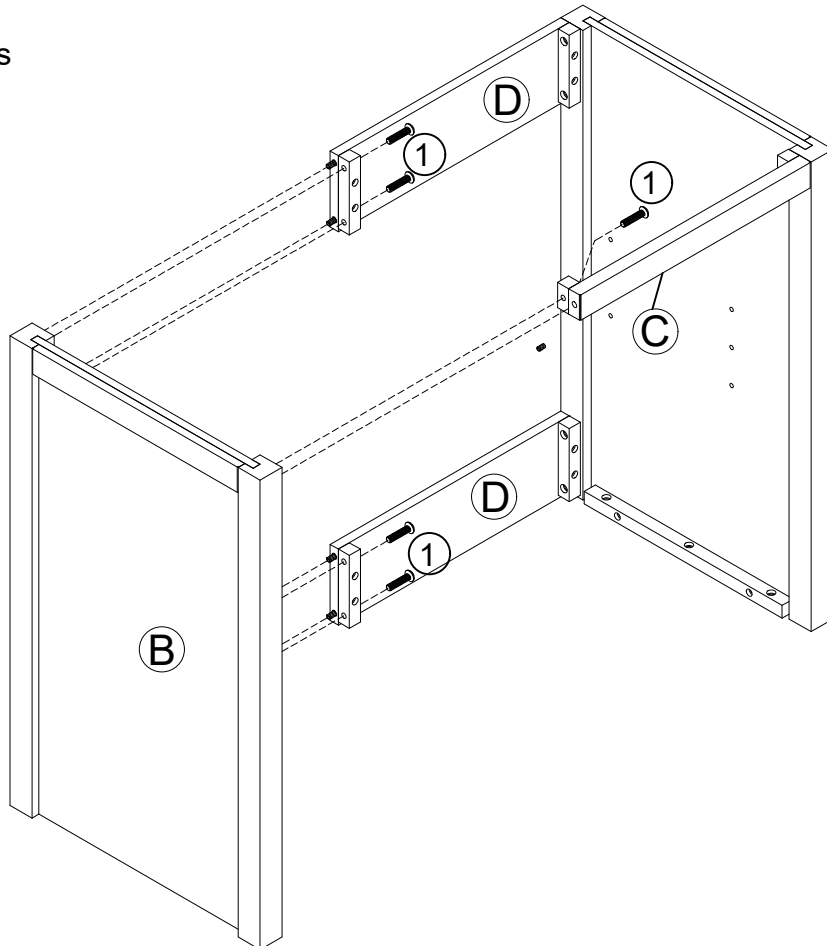
STEP 3

①  5pcs
1/4"x25mm




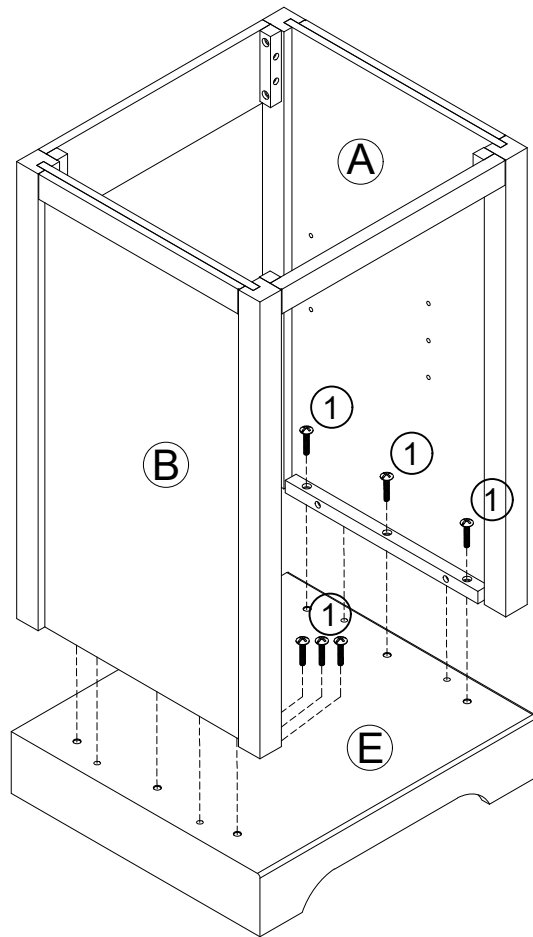
STEP 4

①  5pcs
1/4"x25mm

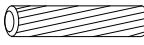
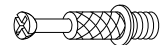


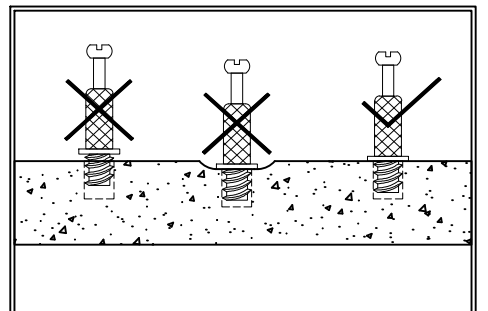
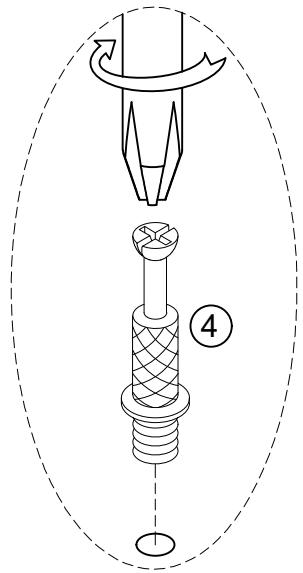
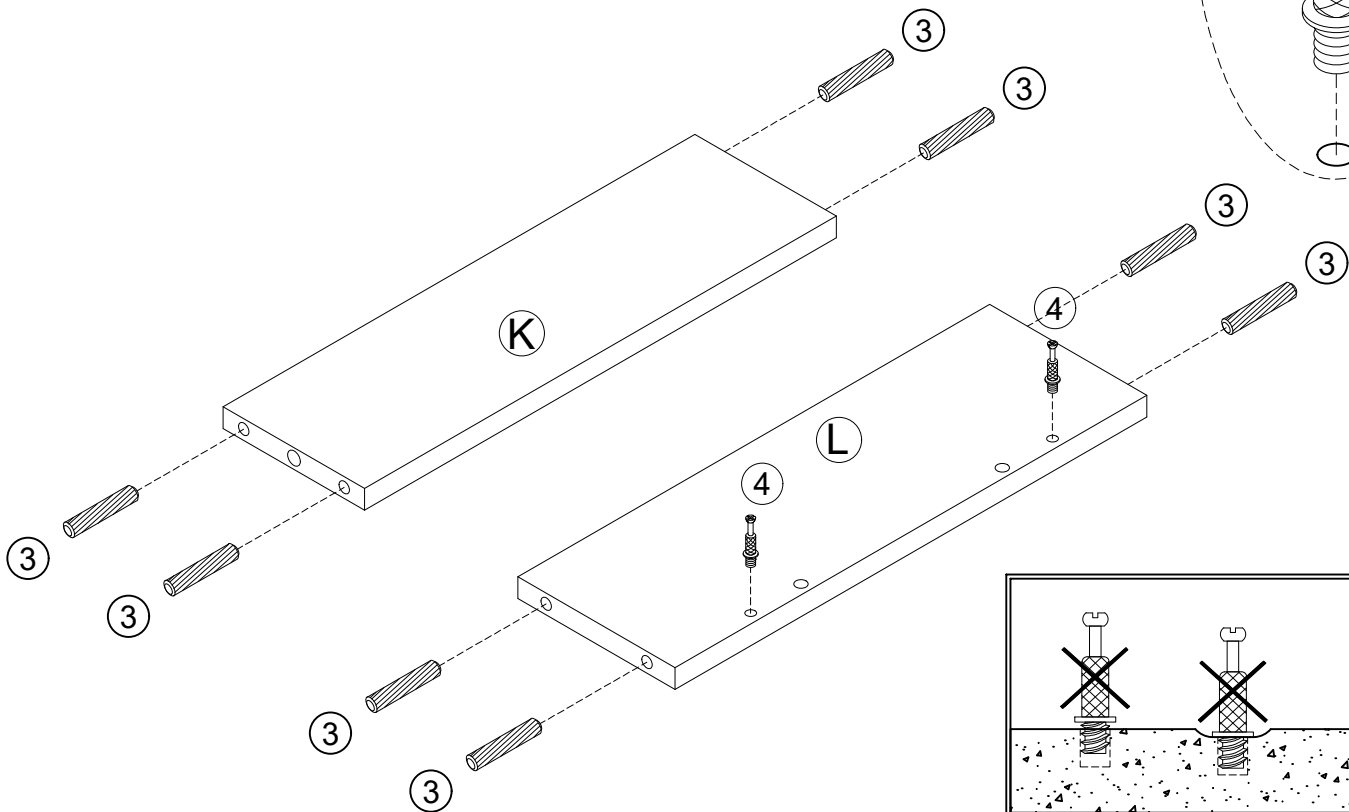
STEP 5

- ①  6pcs
1/4"x25mm




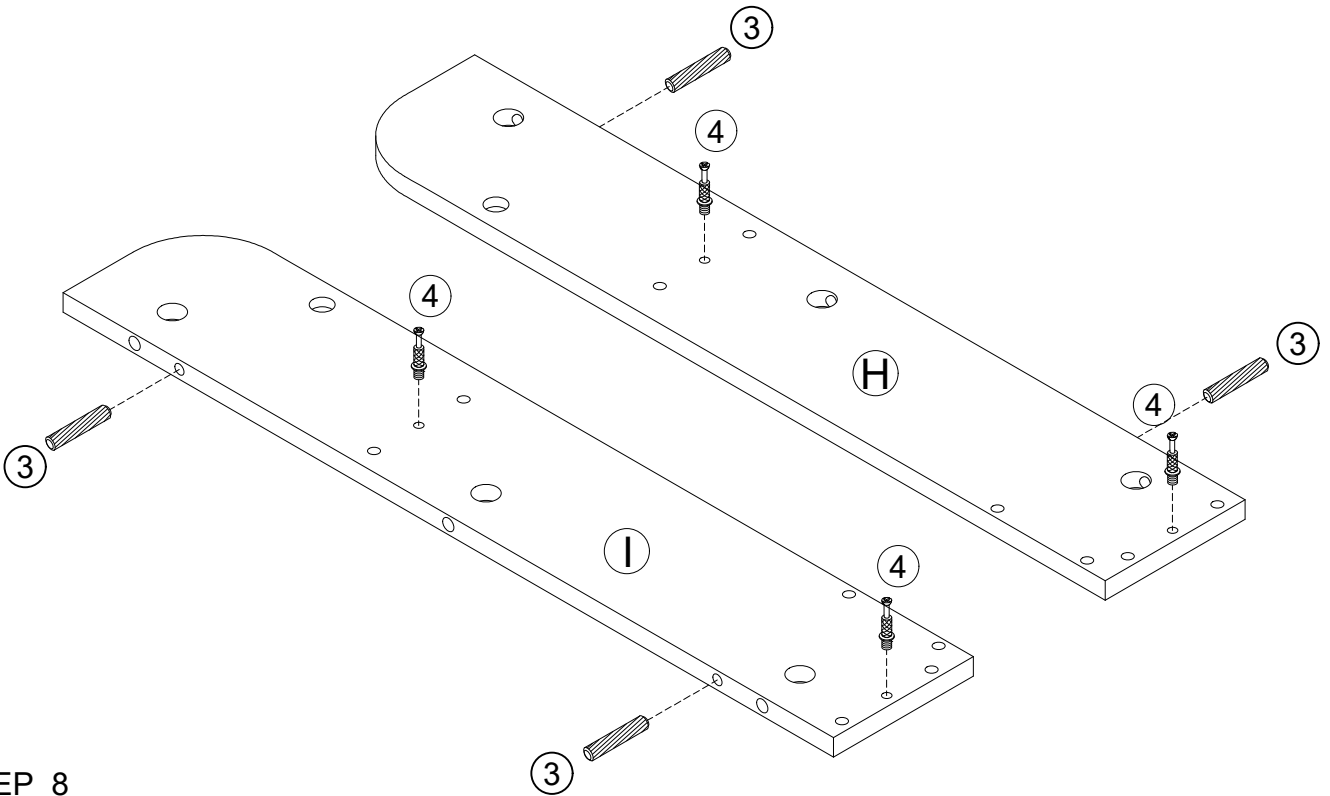
STEP 6

- ③  8pcs
Ø6x30mm
- ④  2pcs
Ø6x33mm




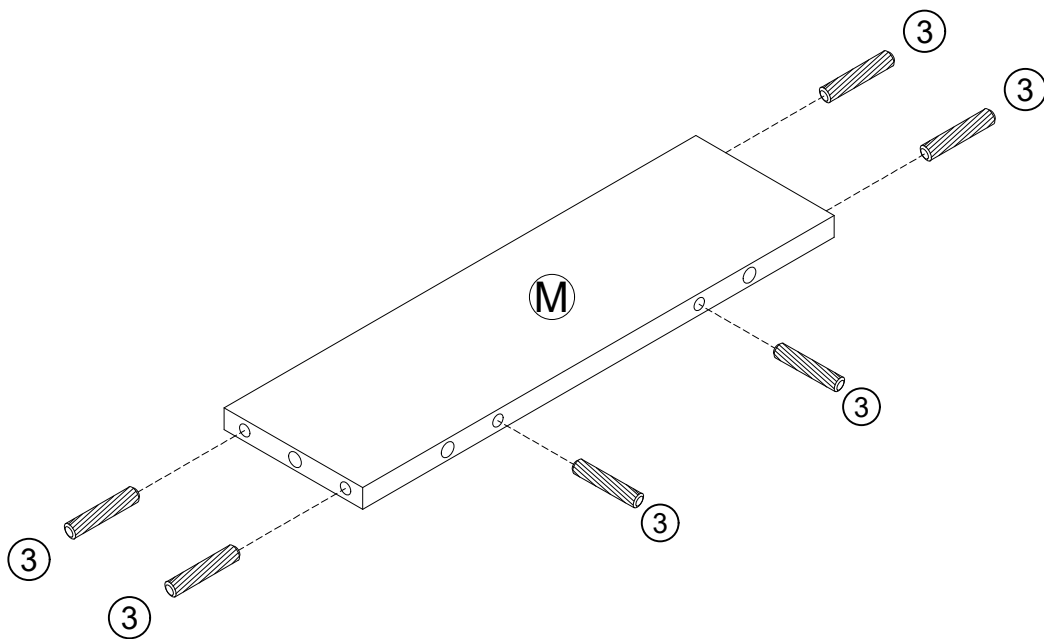
STEP 7

- ③  4pcs
Ø6x30mm
- ④  4pcs
Ø6x33mm




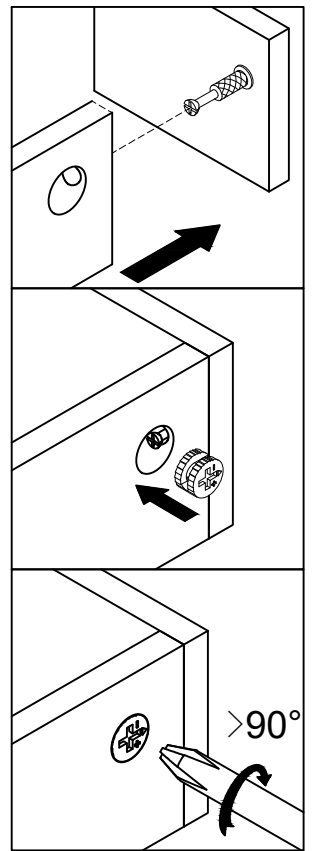
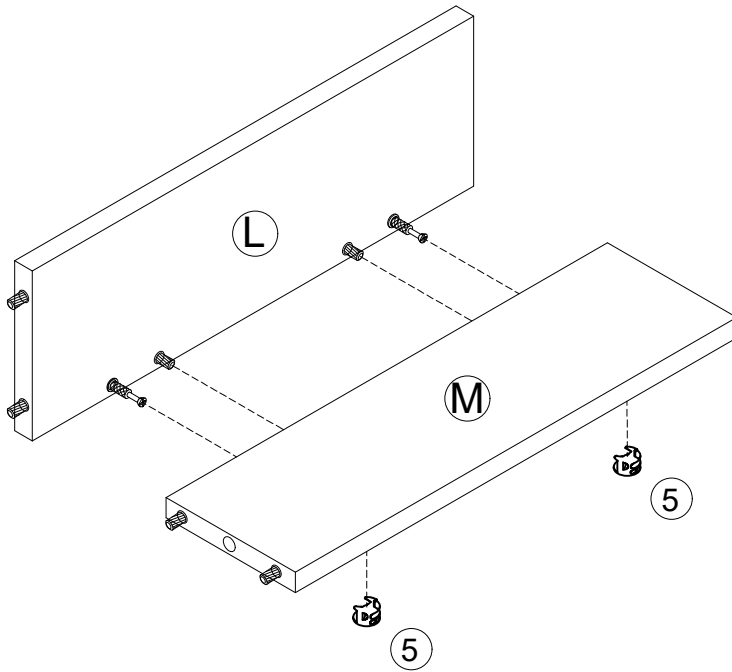
STEP 8

- ③  6pcs
Ø6x30mm




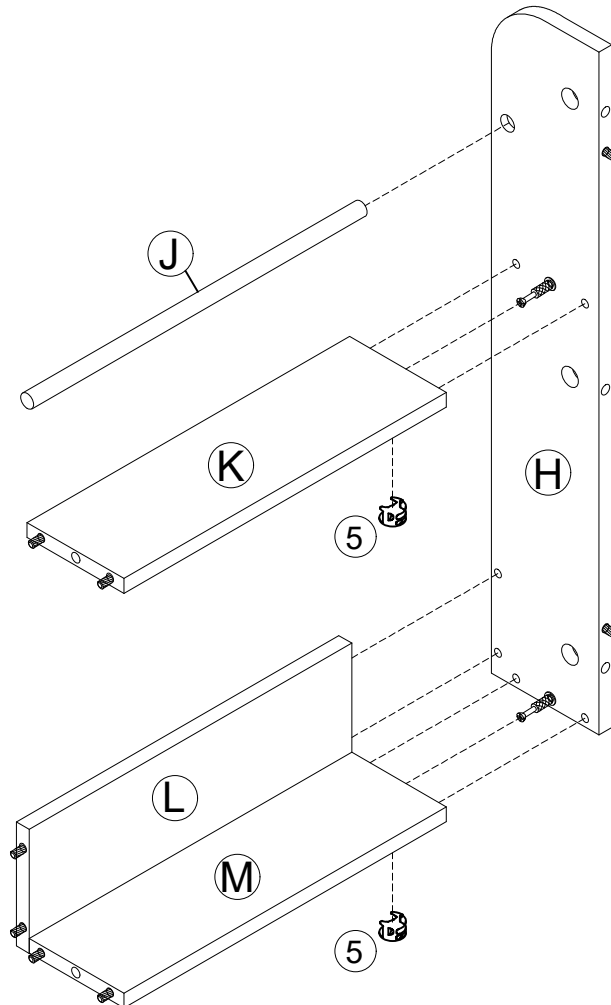
STEP 9

5  2pcs
Ø15x9mm



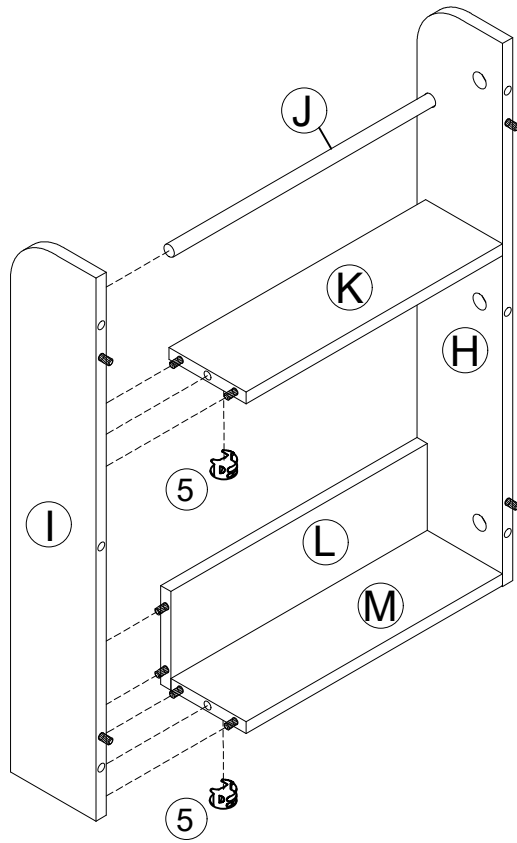
STEP 10

5  2pcs
Ø15x9mm


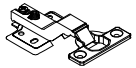



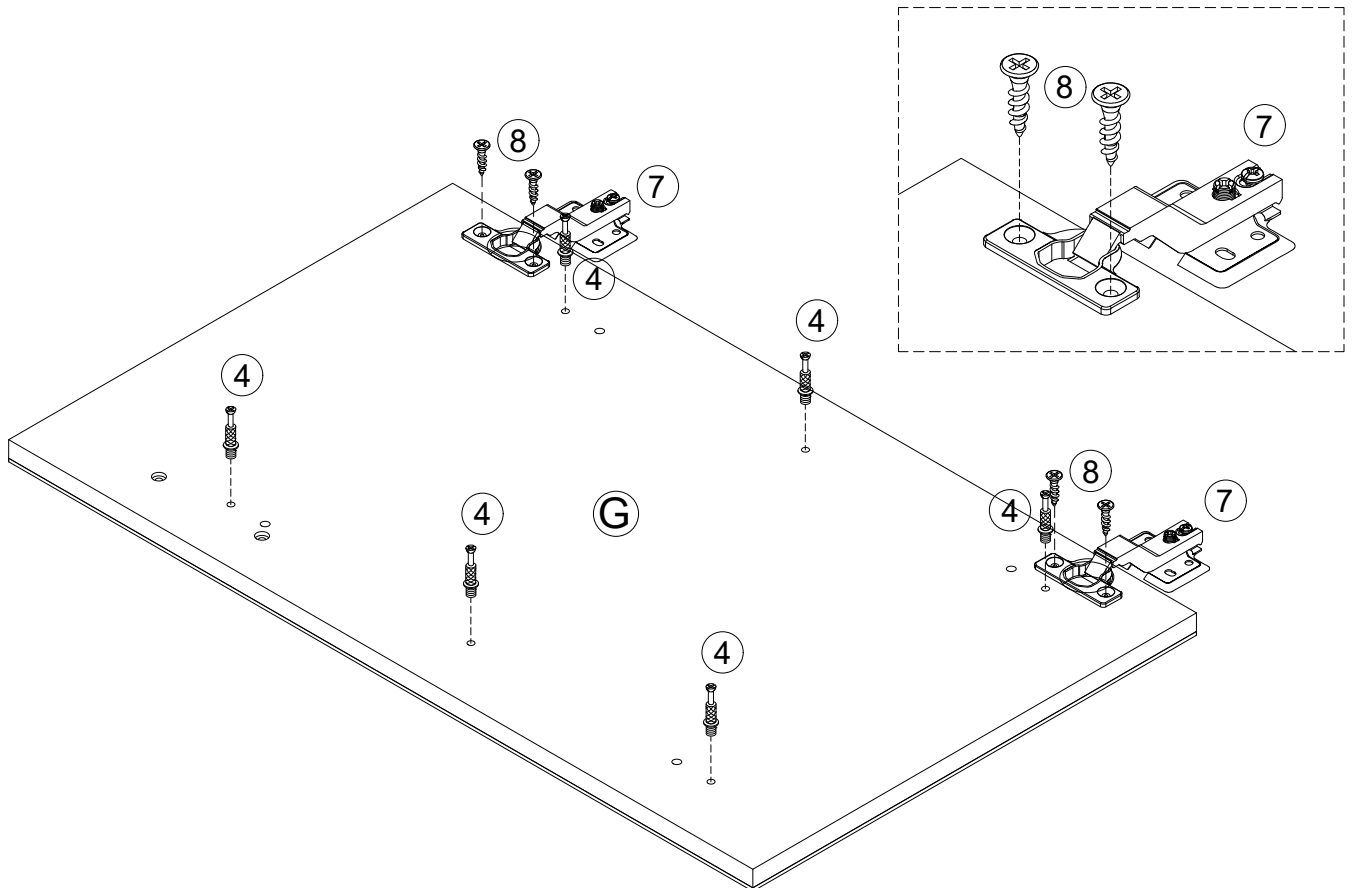
STEP 11

- 5  2pcs
Ø15x9mm



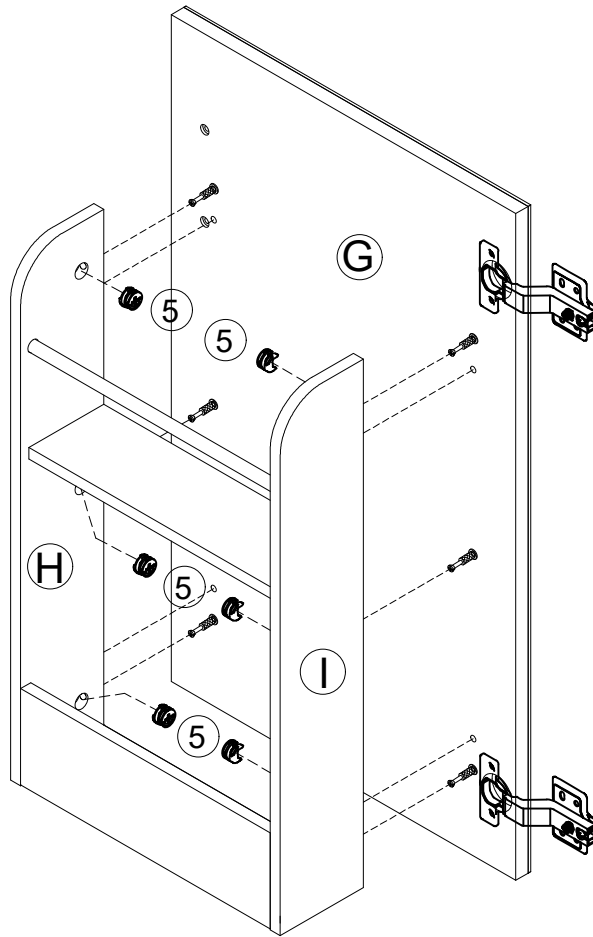
STEP 12

- 4  6pcs Ø6x33mm
- 7  2pcs
- 8  4pcs Ø4x12mm

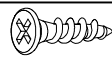


STEP 13

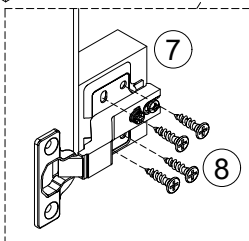
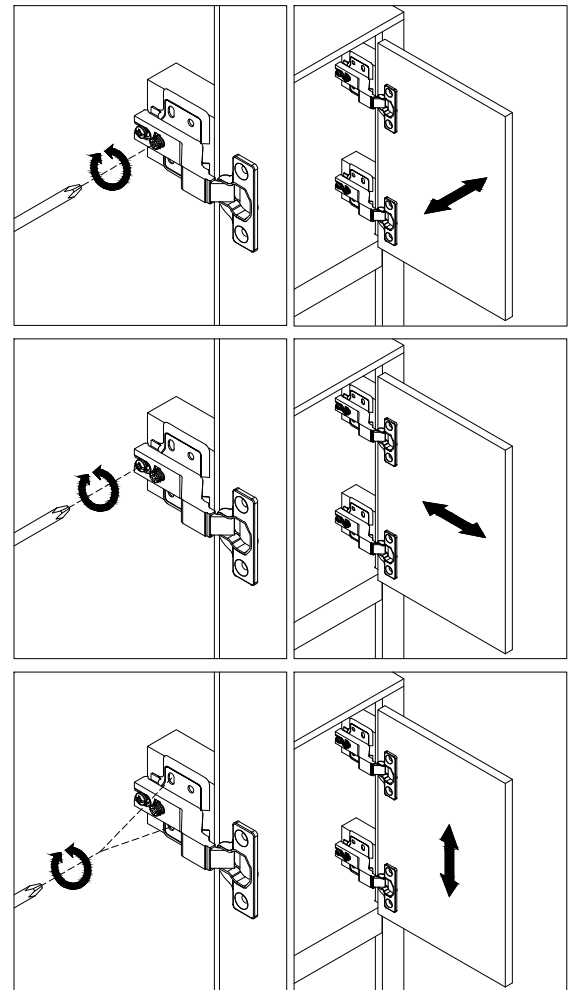
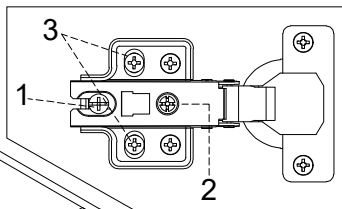
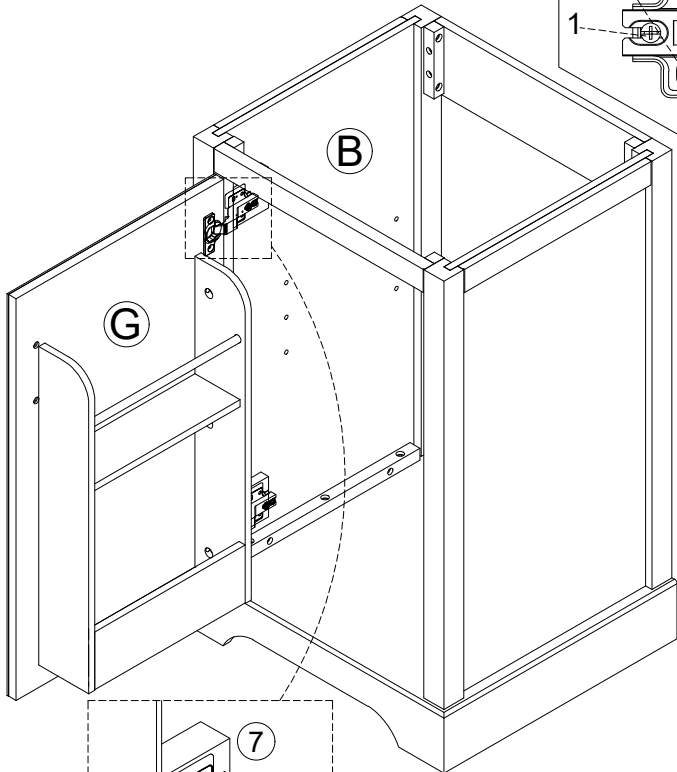
5  6pcs
 Ø15x9mm



STEP 14

8  8pcs
 Ø4x12mm

Three-way adjustable hinge for perfectly aligned doors
 1. TO ADJUST DOOR FORWARD OR BACKWARD.
 2. TO ADJUST DOOR TO RIGHT OR TO LEFT.
 3. TO ADJUST DOOR UP OR DOWN.

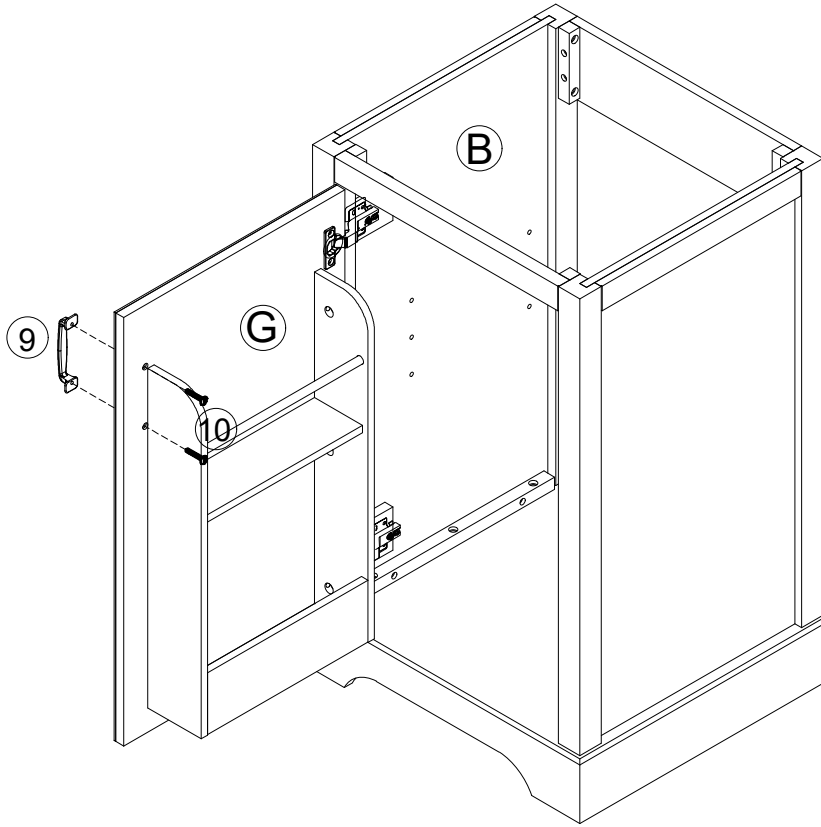


x2

STEP 15

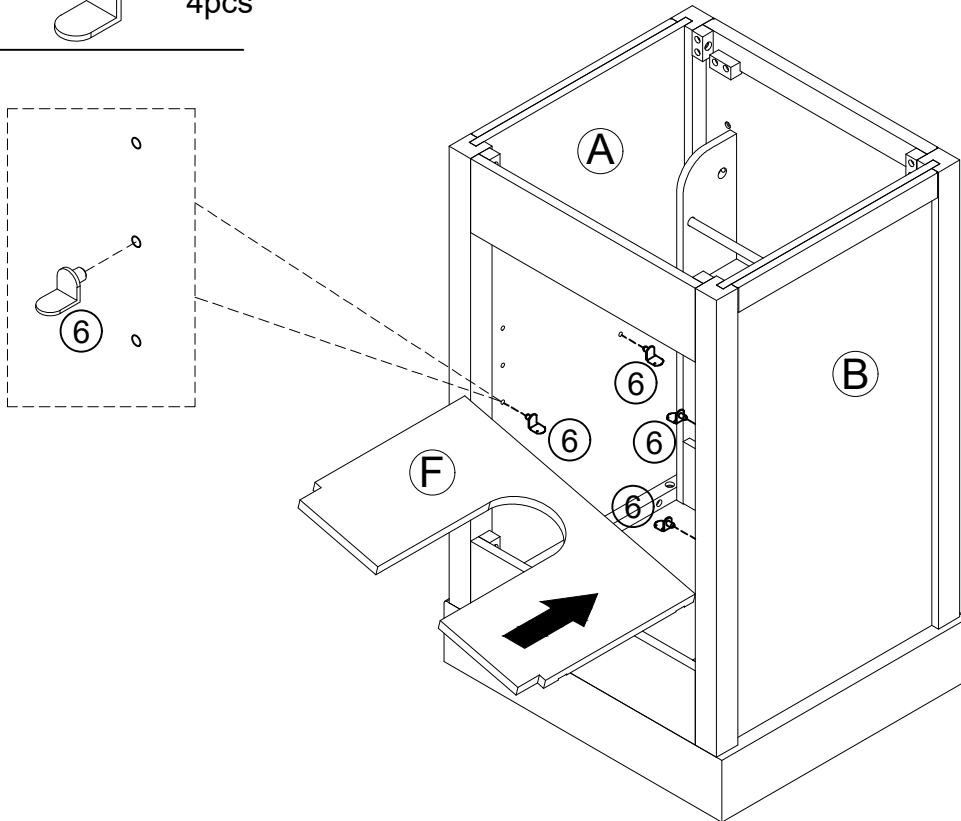
9 1pc

10 2pcs
5/32"x15mm

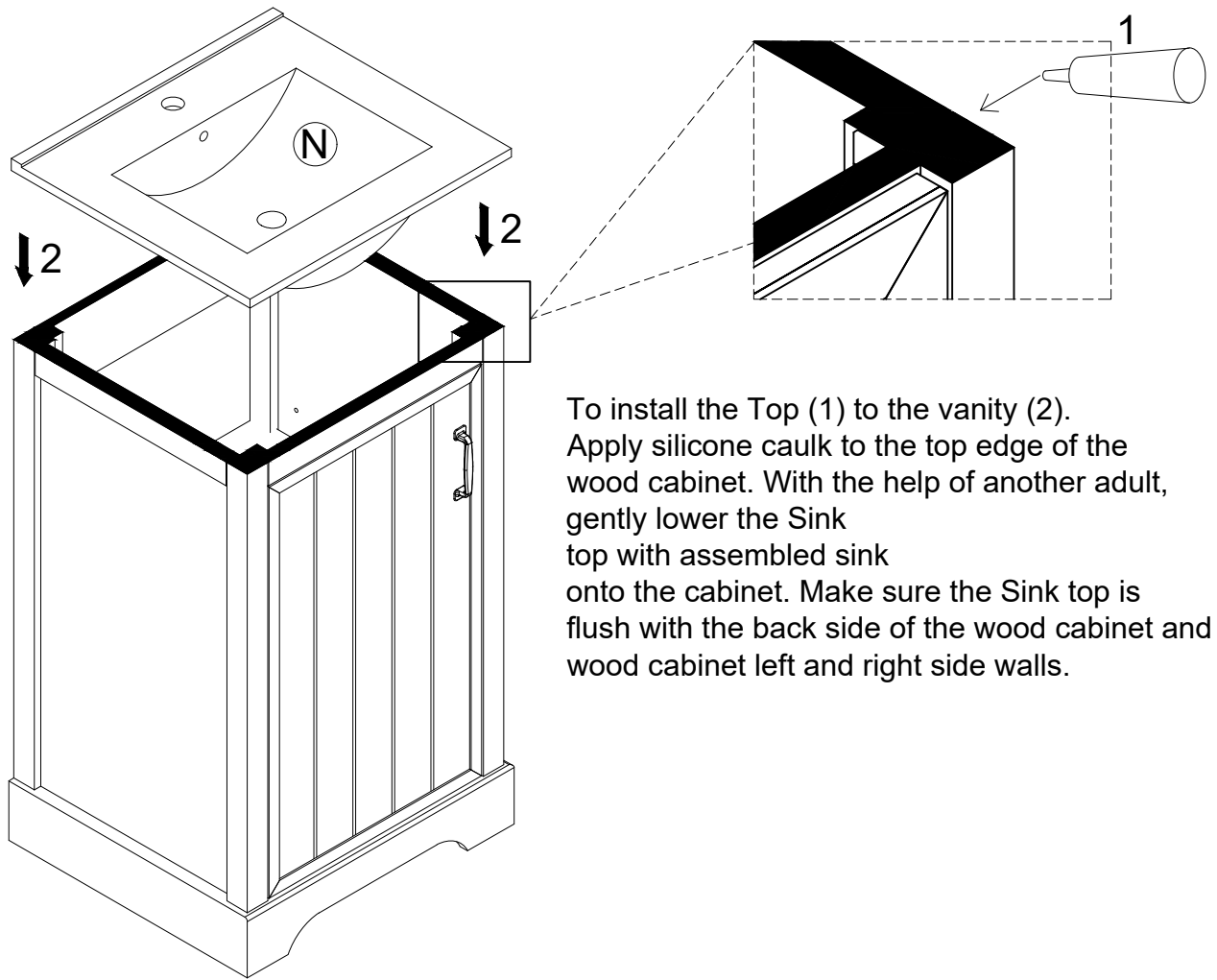


STEP 16

6 4pcs



STEP 17



To install the Top (1) to the vanity (2). Apply silicone caulk to the top edge of the wood cabinet. With the help of another adult, gently lower the Sink top with assembled sink onto the cabinet. Make sure the Sink top is flush with the back side of the wood cabinet and the wood cabinet left and right side walls.

STEP 18

