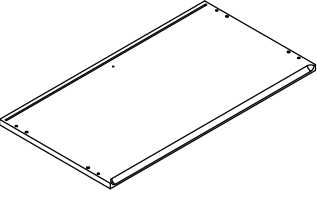
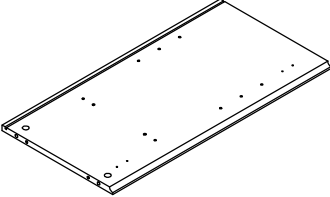
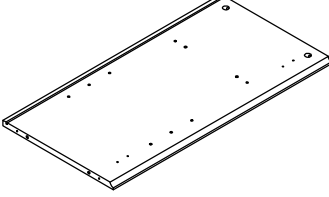
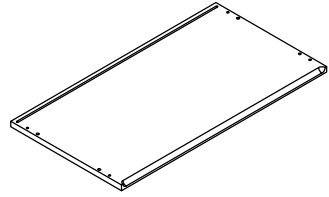
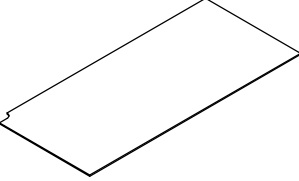
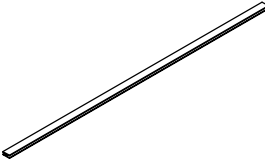
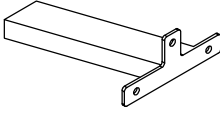
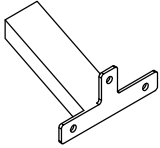
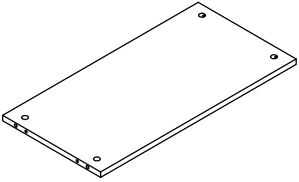
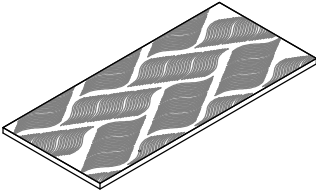
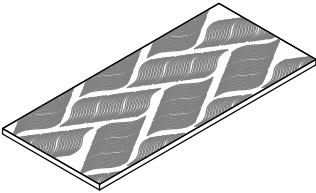
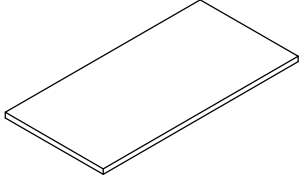
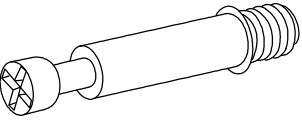
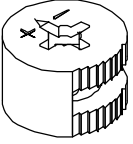
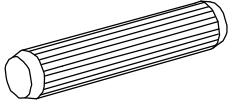
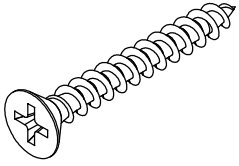
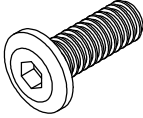
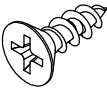

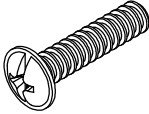
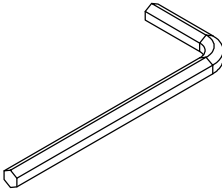
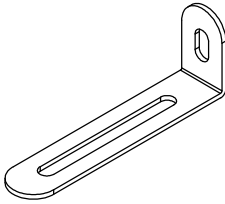
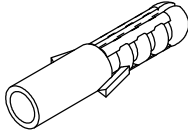
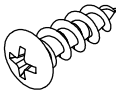
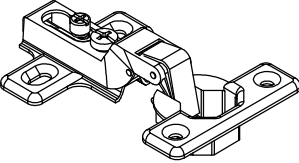
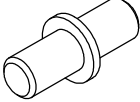

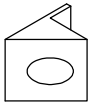


# Parts List(EN) / Teile Liste(DE)

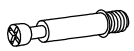
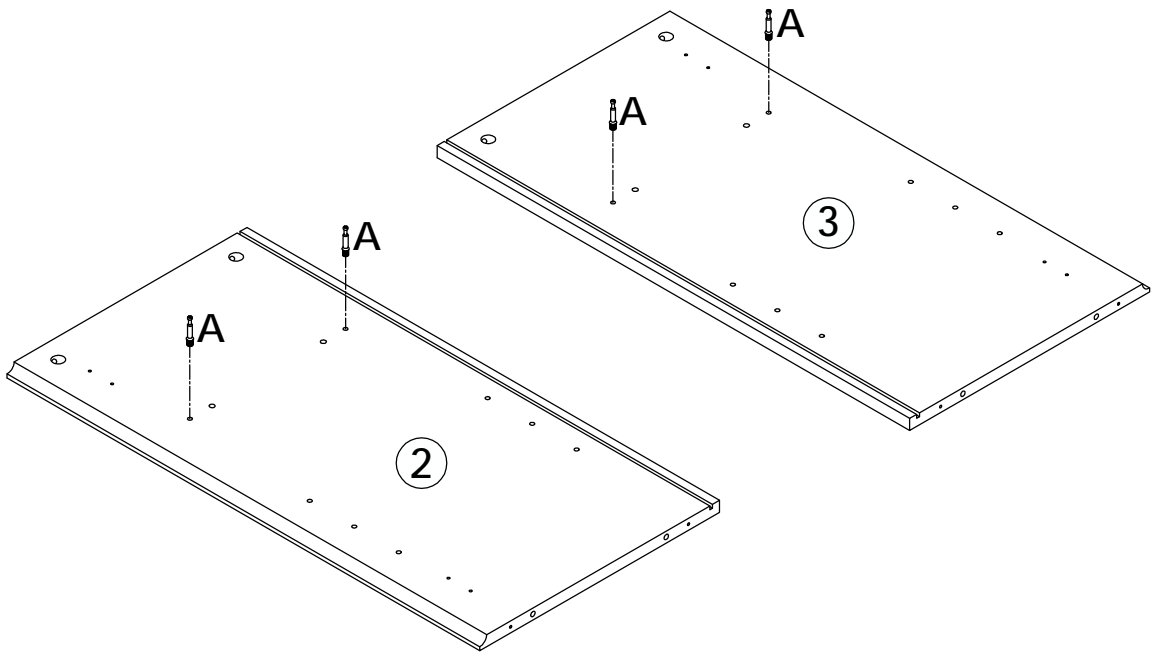
<p>①</p>  <p>1PCS</p>	<p>②</p>  <p>1PCS</p>	<p>③</p>  <p>1PCS</p>	<p>④</p>  <p>1PCS</p>
<p>⑤</p>  <p>2PCS</p>	<p>⑥</p>  <p>1PCS</p>	<p>⑦</p>  <p>2PCS</p>	<p>⑧</p>  <p>2PCS</p>
<p>⑨</p>  <p>1PCS</p>	<p>⑩</p>  <p>1PCS</p>	<p>⑪</p>  <p>1PCS</p>	<p>⑫</p>  <p>1PCS</p>

## Parts List(EN) / Teile Liste(DE)

<p><b>A</b></p> 	<p><b>B</b></p> 	<p><b>C</b></p> 	<p><b>D</b></p> 
<p>M6x35mm 8+1PCS</p>	<p>Ø15x9.5mm 8+1PCS</p>	<p>Ø6x30mm 12+1PCS</p>	<p>M4x35mm 5+1PCS</p>
<p><b>E</b></p> 	<p><b>F</b></p> 	<p><b>G</b></p> 	<p><b>H</b></p> 
<p>M6x12mm 12+1PCS</p>	<p>M3x12mm 16+1PCS</p>	<p>2PCS</p>	<p>2PCS</p>
<p><b>I</b></p> 	<p><b>J</b></p> 	<p><b>K</b></p> 	<p><b>L</b></p> 
<p>4mm 1PCS</p>	<p>66x25x1mm 1PCS</p>	<p>Ø6x30mm 1PCS</p>	<p>M4x12mm 1PCS</p>
<p><b>M</b></p> 	<p><b>N</b></p> 	<p><b>O</b></p> 	<p><b>P</b></p> 
<p>4PCS</p>	<p>4PCS</p>	<p>M3x14mm 6PCS</p>	<p>6PCS</p>

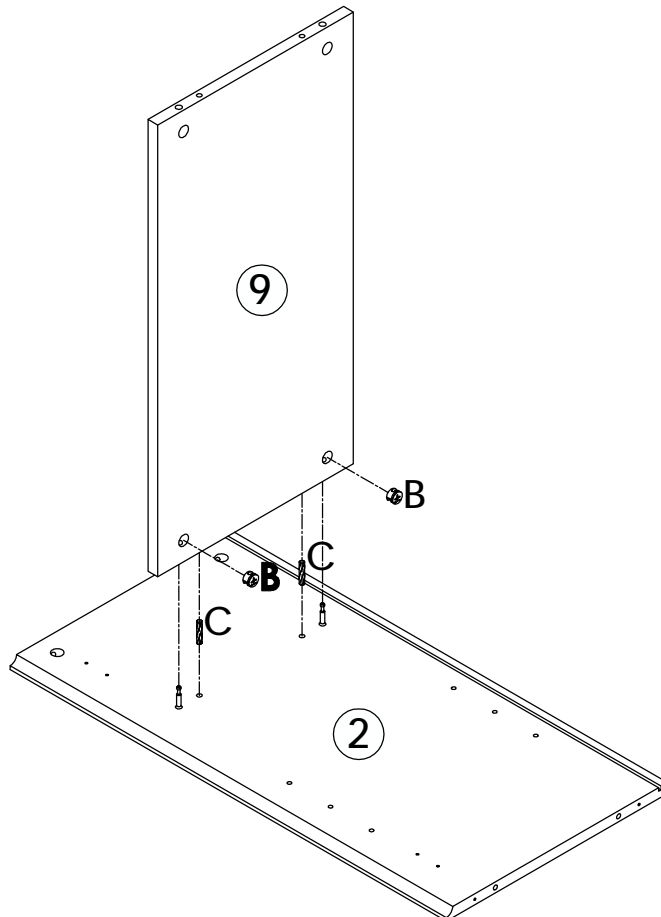
# Assembly Steps(EN) / Montageschritte(DE)

## STEP 1



**A** x 4PCS

## STEP 2



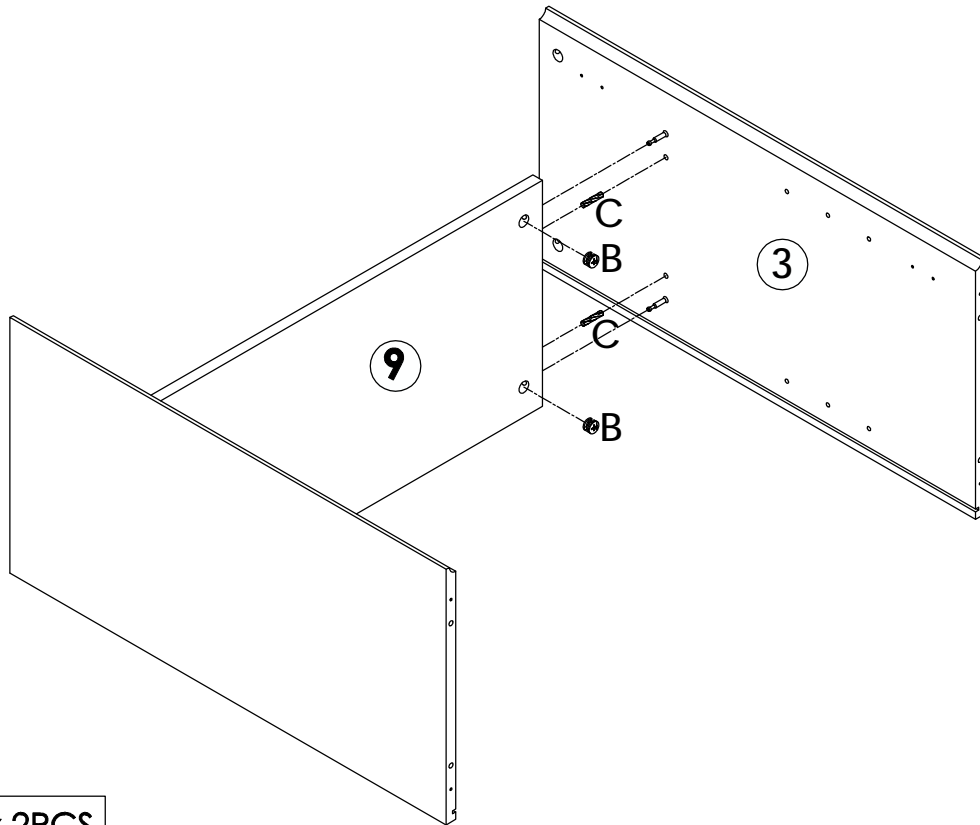
**B** x 2PCS





**C** x 2PCS

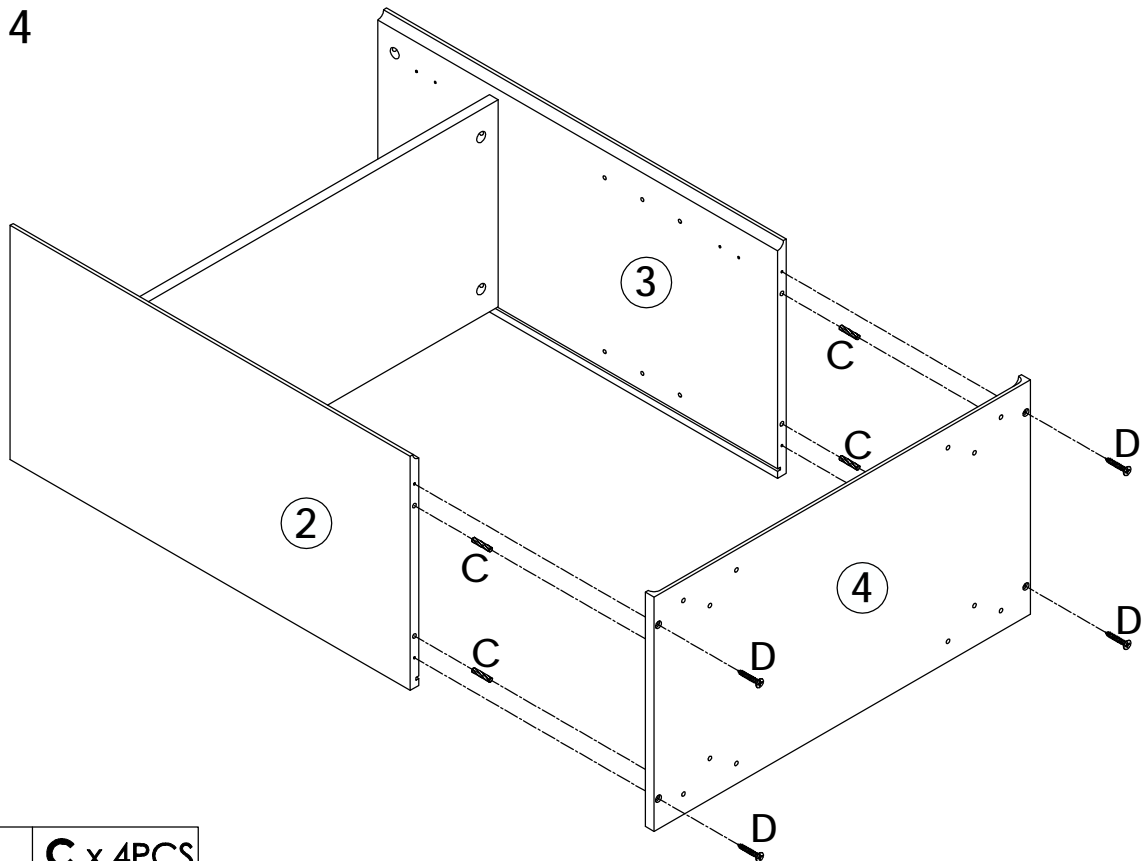
# Assembly Steps(EN) / Montageschritte(DE)


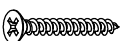
## STEP 3



	<b>B</b> x 2PCS
	<b>C</b> x 2PCS

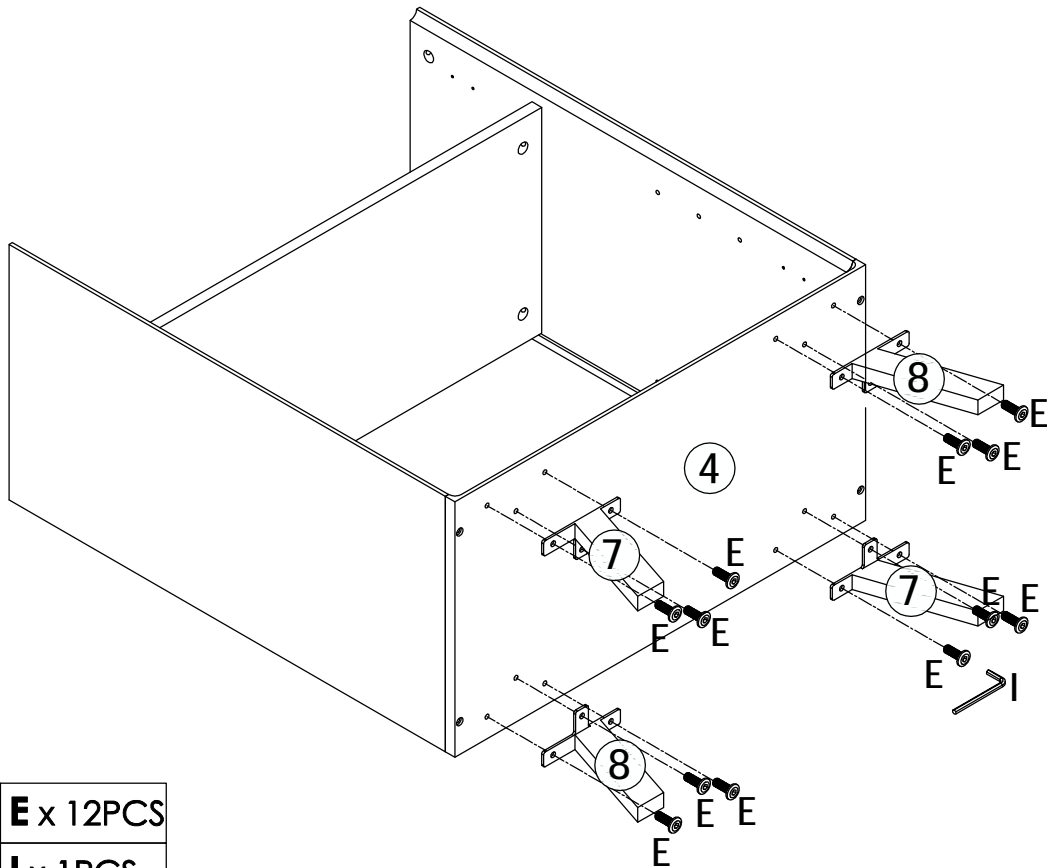
## STEP 4





	<b>C</b> x 4PCS
	<b>D</b> x 4PCS

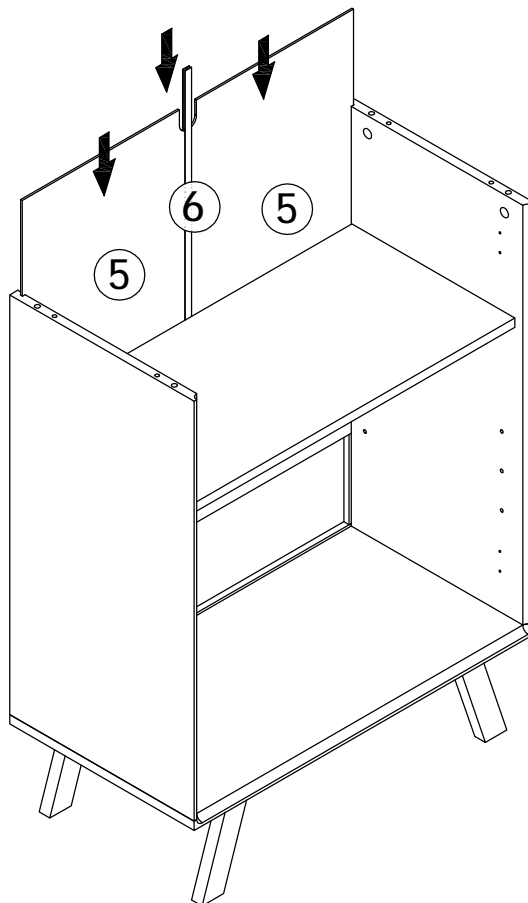
# Assembly Steps(EN) / Montageschritte(DE)

## STEP 5



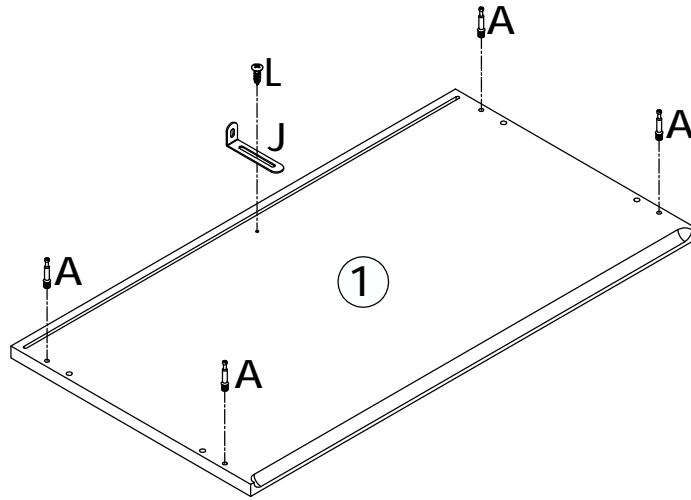
	<b>E x 12PCS</b>
	<b>I x 1PCS</b>

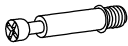


## STEP 6



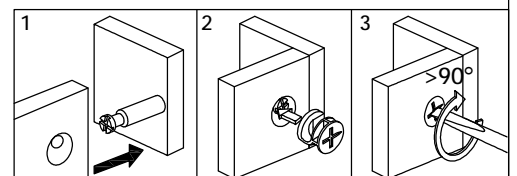
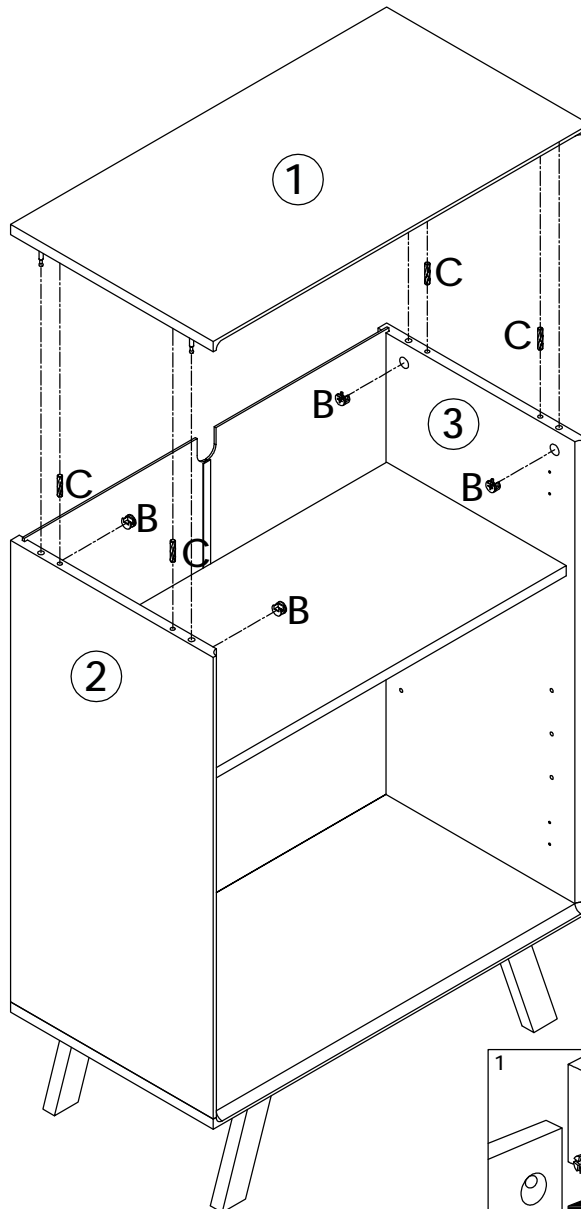
# Assembly Steps(EN) / Montageschritte(DE)



## STEP 7



	<b>A</b> x 4PCS
	<b>J</b> x 1PCS
	<b>L</b> x 1PCS

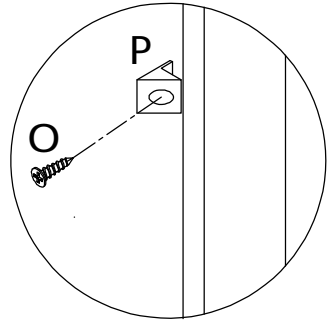
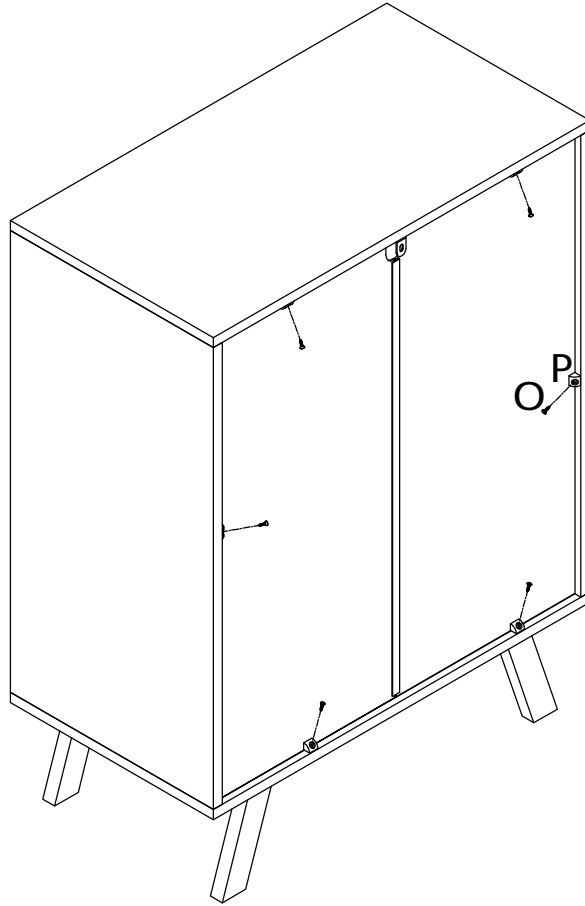
## STEP 8





	<b>B</b> x 4PCS
	<b>C</b> x 4PCS

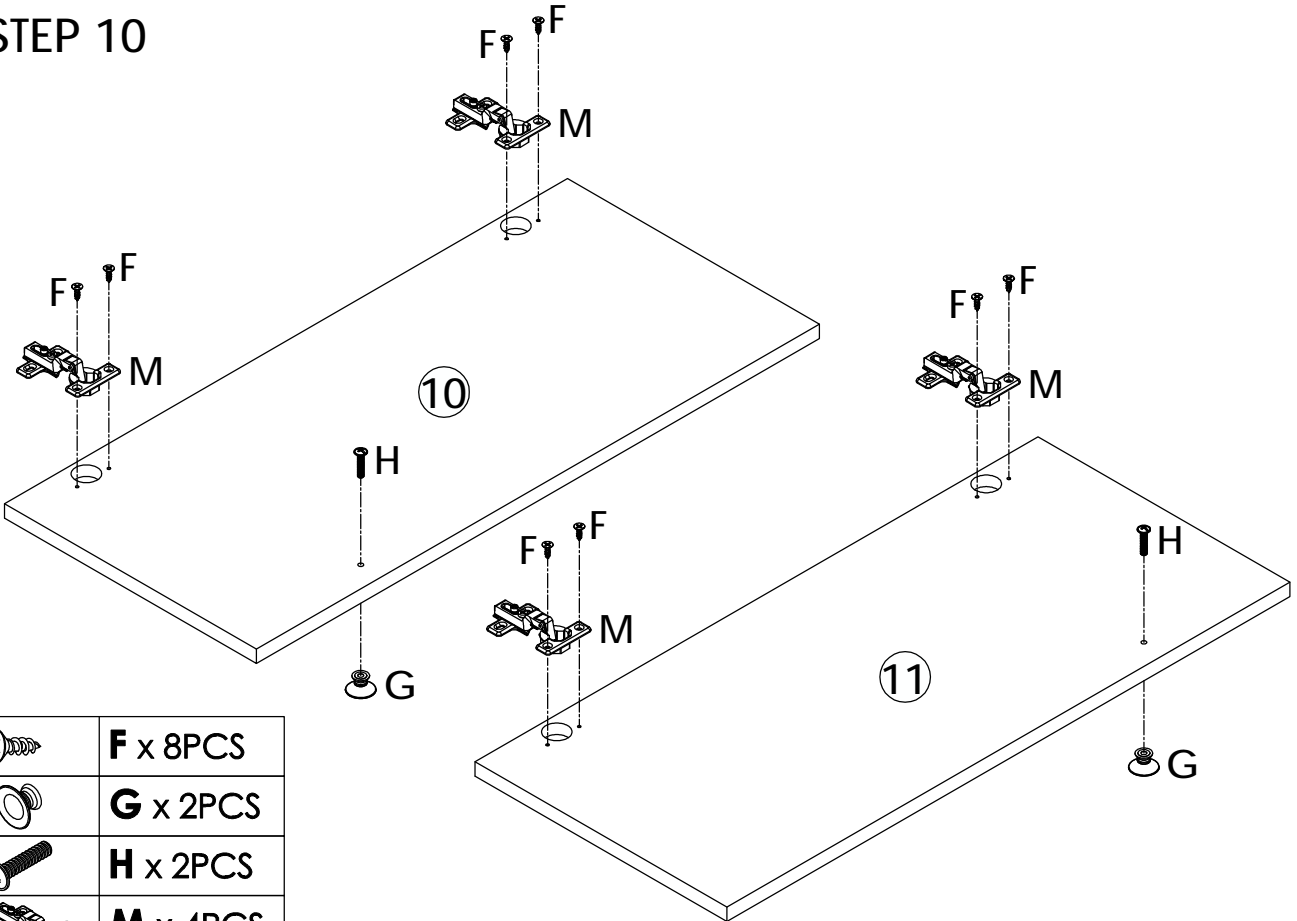
# Assembly Steps(EN) / Montageschritte(DE)



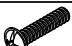

## STEP 9



	<b>O</b> x 6PCS
	<b>P</b> x 6PCS

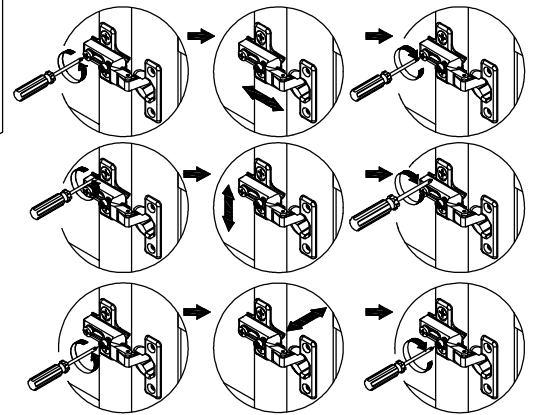
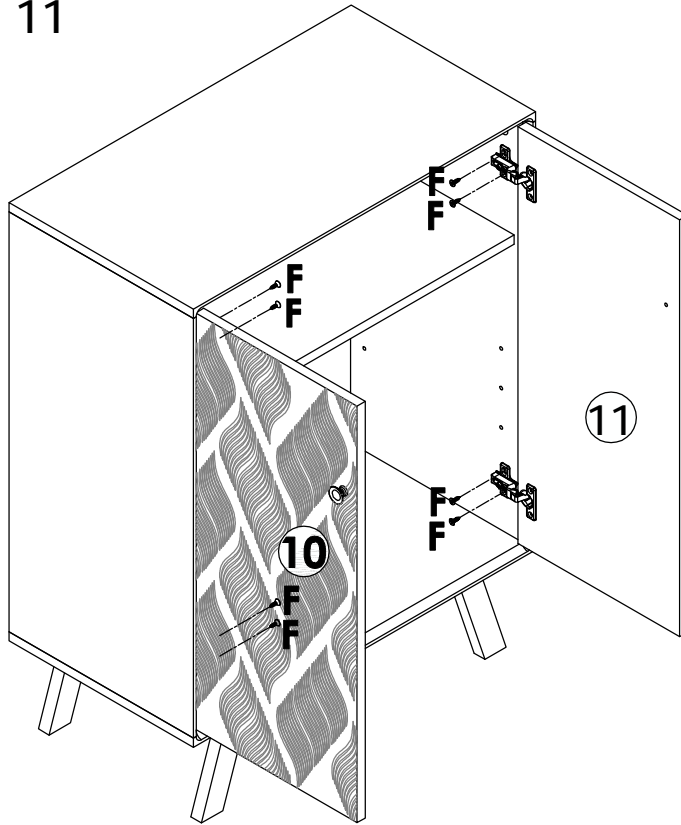
## STEP 10



	<b>F</b> x 8PCS
	<b>G</b> x 2PCS
	<b>H</b> x 2PCS
	<b>M</b> x 4PCS

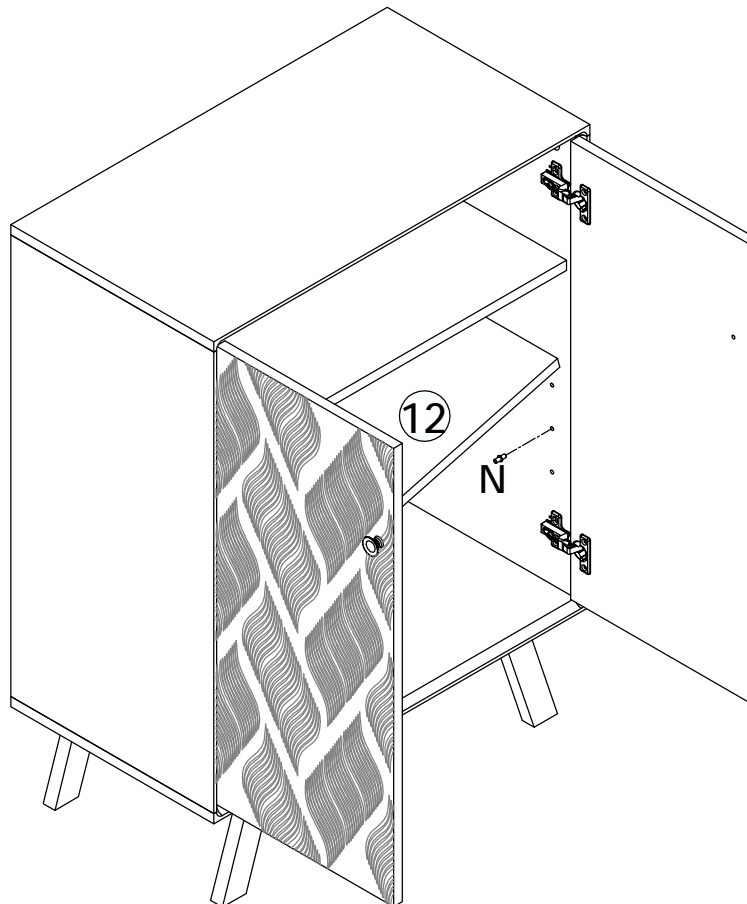
# Assembly Steps(EN) / Montageschritte(DE)

## STEP 11



**F** x 8PCS

## STEP 12

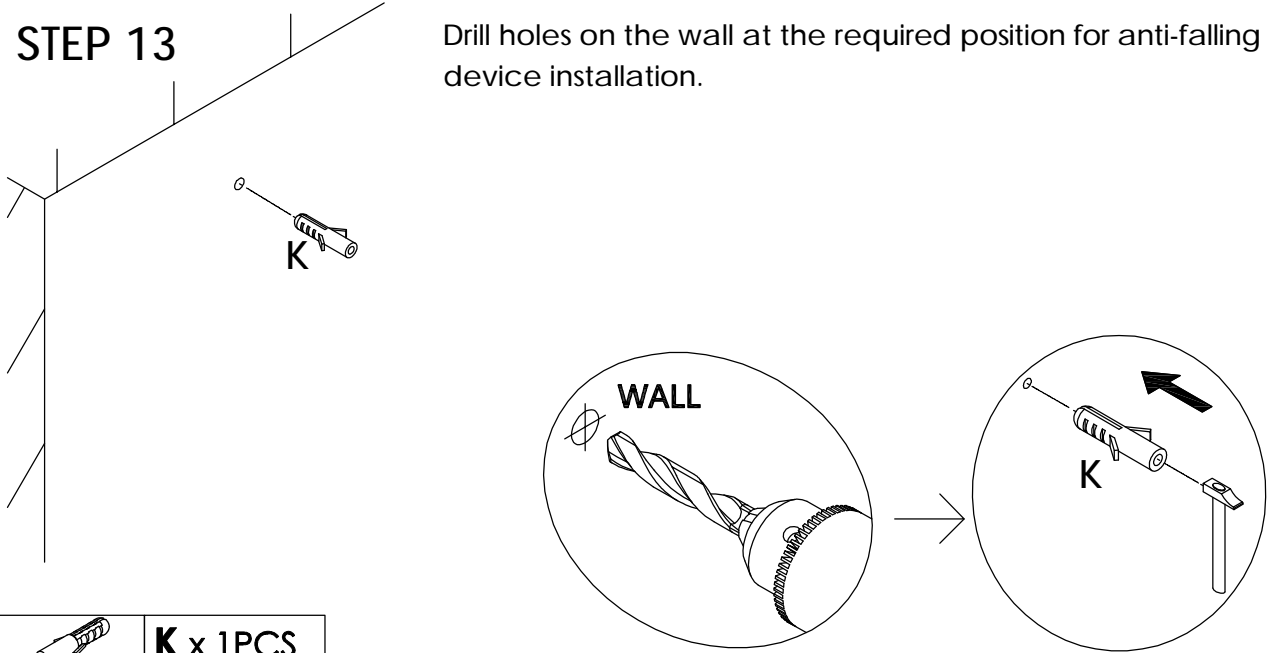


**N** x 4PCS

## Assembly Steps(EN) / Montageschritte(DE)

### STEP 13

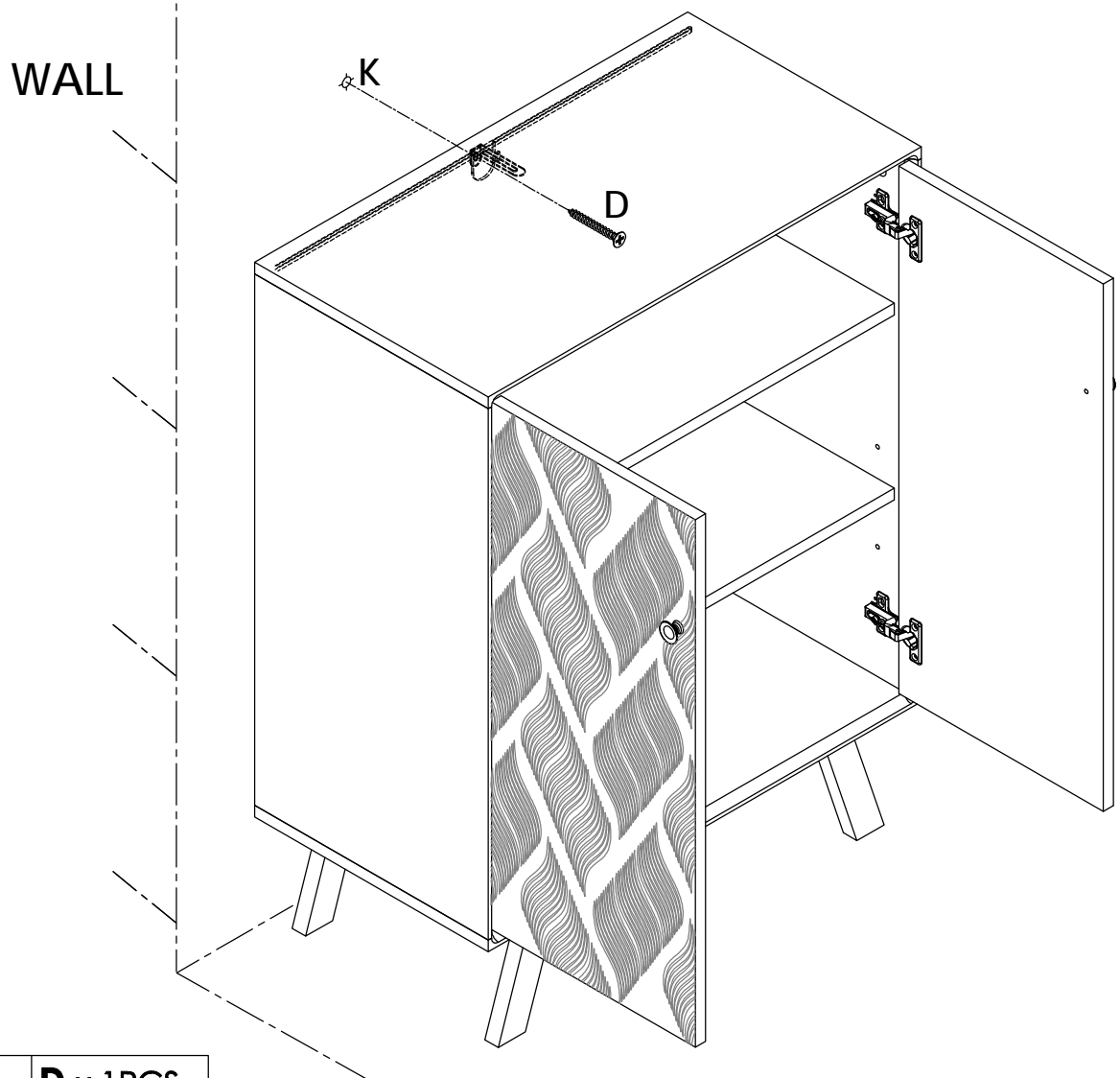
Drill holes on the wall at the required position for anti-falling device installation.



**K x 1PCS**

### STEP 14

Move the cabinet to the required position, use the "D" long screw to fix the cabinet to the wall.



**D x 1PCS**