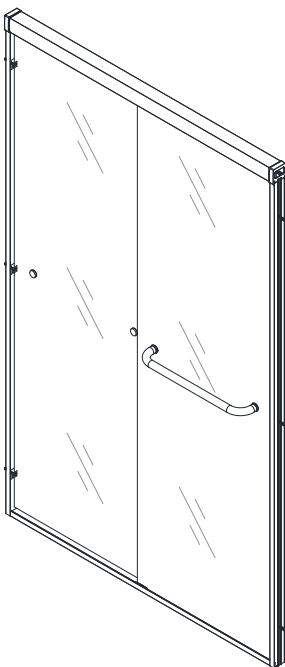


## Semi-Frameless Shower Door Installation Manual



Double Sliding

**NHLF012HGCP-NA 58-60"x72" Polished Chrome**

**NHLF012HGMB-NA 58-60"x72" Matte Black**



This product is heavy and may require two people to install.

## Precautions

Thank you for choosing ANNWA shower doors. To ensure the best experience, please read this manual carefully before use and follow the instructions. After reading, please properly keep the manual.

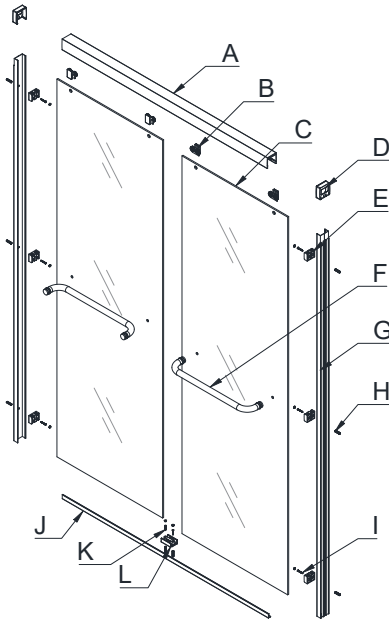
### Upon Product Delivery

Please inspect the product immediately after receipt to ensure there is no shipping damage, missing parts, or manufacturing defects.

### Important Notes

- Please check your local building and plumbing codes for installation requirements. Codes may vary by location. ANNWA is not responsible for code compliance and cannot accept returns based on non-compliance.
- For new construction, complete all plumbing and drainage work before installing the shower door. Use a qualified and licensed plumber if required by local codes.
- Before starting installation, ensure the surface is level, solid, and capable of supporting the product's weight. Check that the walls are square. Uneven surfaces, curved corners, or misaligned walls can cause serious installation issues. Drilling and minor adjustments may be required during installation.
- Protect all main surfaces during installation. Never place glass directly on tile or floor—use wood or cardboard to protect the edges and corners. Keep corner protectors on until they're ready to be removed.
- Install this unit on a finished threshold and against fully finished walls.
- Do not modify or alter this product in any way. Any type of modification may result in serious injury or death. The manufacturer assumes no responsibility for any consequences arising from such modifications
- Install this unit on a finished threshold and against fully finished walls.
- This model has 2" of total width adjustment. Be sure that you have ordered the correct model size to fit your finished opening
- Professional installation recommended.
- This product is heavy and may require two people to install.

## Part List



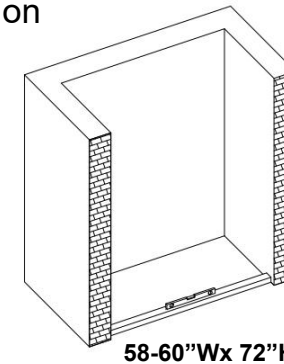
Part#	Illustration	Description	Qty	Part#	Illustration	Description	Qty
A		Header	1 pc	G		Wall Frame	2 pcs
B		Roller	4 pcs	H		Wall Anchor	6 pcs
C		Sliding Door Panel	2 pcs	I		Wall Screw	6 pcs
D		Decorative cover	2 pcs	J		Threshold	1 pc
E		Side Bumper	6 pcs	K		Threshold Screws	2 pcs
F		Handle	2 pcs	L		Bumper	1 pc

## Installation Tools

Tool Name	Illustration	Tool Name	Illustration
Tape Measure		Electric Drill	
Level		Hammer	
Marker Pen		Screwdriver	
1/4" Drill Bit		Allen Wrench	
Utility Knife		Silicone Sealant	
Safety goggles		Hacksaw	

## Installation Steps

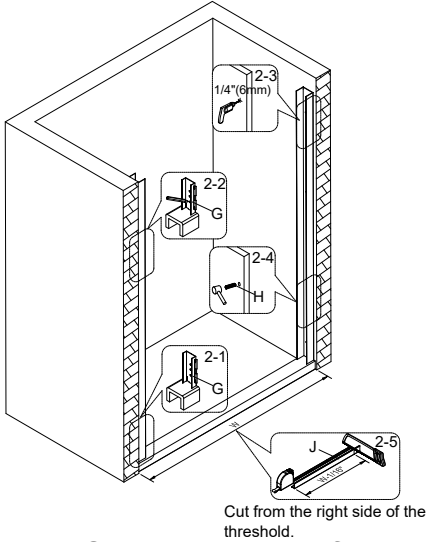
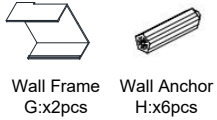
### Step 1 Preparation



For proper door alignment and operation, confirm that the shower base ledge and walls meet the following requirements. Do not install the door if these requirements are not met.

- The shower base ledge must be level between the walls.
- This model has 2" of total width adjustment. Confirm the intended installation location, measure the width of the space, and ensure it complies with the product specifications.

## Step 2: Wall-Mounted Frame Positioning and Threshold Cutting

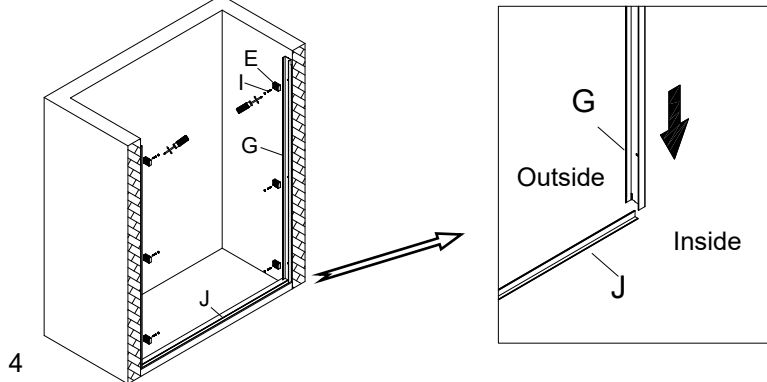
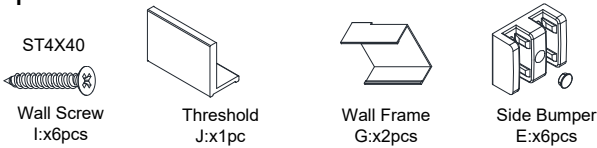


2-1 Place the wall-mounted frame "G" on both side of the base, making sure they are centered.  
 2-2 Use a level to adjust the frames "G" to a vertical position. Mark the drilling points on the wall using a marker.  
 2-3 Use a 1/4" (6mm) wall drill bit to drill holes at the marked positions.  
 2-4 Insert wall Anchor "H" into the drilled holes, ensuring the end is flush with the wall surface.  
 2-5 Measure the threshold "J" with a tape measure. Cut the length according to installer's recommendation as below.

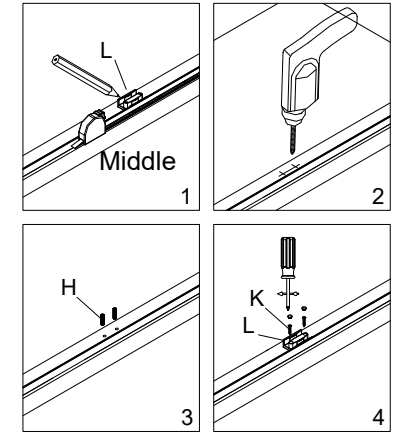
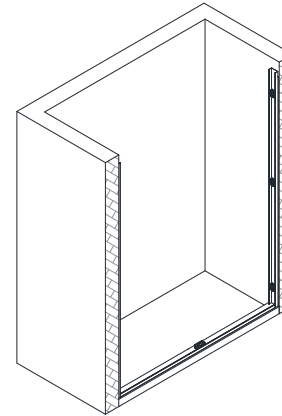
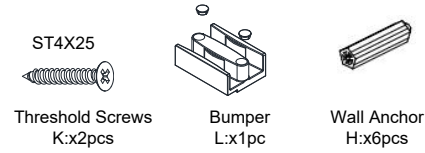
Finished Opening (Width)	58"	59"	60"
Cut Off Length	2"	1"	

Model Width-Finished Opening(Width)=Cut Off Length

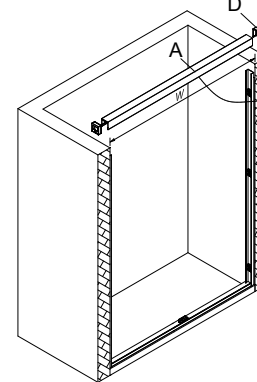
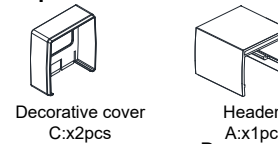
## Step 3: Secure the wall frame with screws



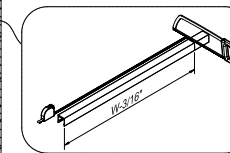
## Step 4: Locate and fix the Bumper block



## Step 5: Install the decorative cover and the Header



5-1 Measure the head "A" with a tape measure. Cut the length according to installer's recommendation.  
 5-2 Install the decorative cover "D" and the header "A".

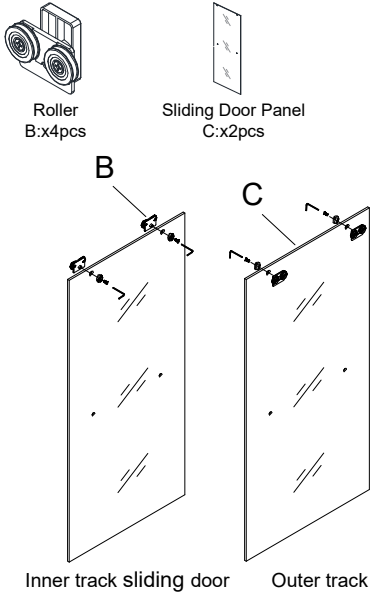


Cut from the right side of the head.

Finished Opening (Width)	58"	59"	60"
Cut Off Length	2"	1"	

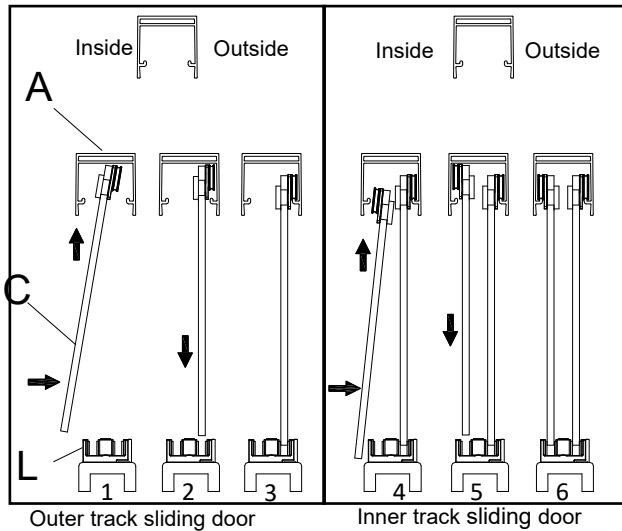
Model Width-Finished Opening(Width)=Cut Off Length

## Step 6: Install the rollers on the sliding door panel



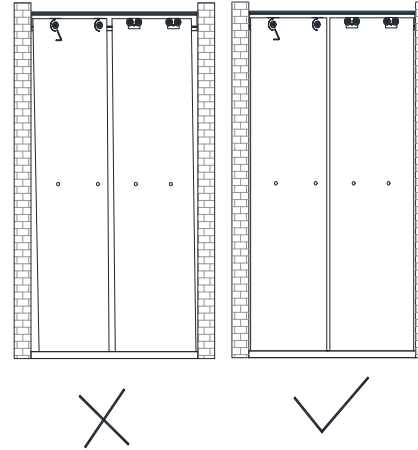
Ensure the rollers "B" are installed in the correct orientation during assembly.

## Step 7: Install the sliding doors

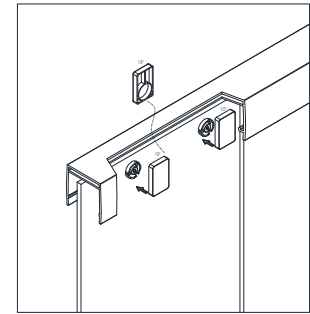


## Step 8: Vertical Alignment

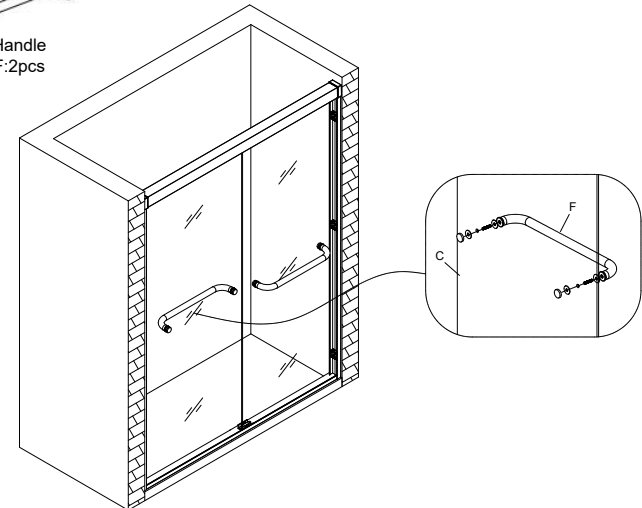
Loosen the roller with an allen wrench; rotate its base to raise or lower the glass door panel until vertically plumb, then secure the roller with the allen wrench.

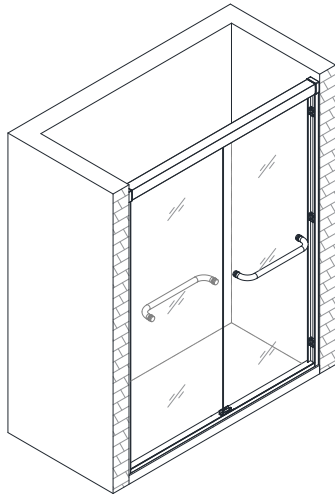


After adjustment is completed, please fasten this decorative cover in the direction shown in the diagram. Pay attention to the orientation of this cover.

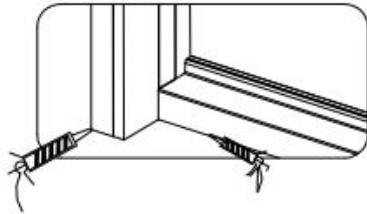


## Step 9: Install the handles





After installation, ensure everything is in proper condition, then apply silicone sealant to waterproof the area.



## Cleaning & Maintenance

- For routine cleaning, use a mild liquid detergent and a soft cloth.
- If stains appear, gently wipe them with a clean, soft towel and a small amount of neutral soap or toothpaste.
- To keep the glass surface shiny, you may use a glass polish when necessary.
- Do not use acidic or alkaline cleaners, or abrasive tools, as they may damage the surface finish of the shower base, glass, or aluminum components.
- Avoid harsh cleaners containing acetone or ammonia. For disinfection, do not use products containing formic acid or formaldehyde, as these may dull or damage the surface.
- Avoid physical impact with the glass, whether by the body or hard objects, during use to prevent injury or damage.
- Periodically check the shower enclosure for any signs of wear or malfunction. If you notice any issues, please contact our customer service team promptly.

## Limited Warranty

Thank you for choosing ANNWA products. In order to protect your rights and interests, please fully understand the following warranty terms.

1. ANNWA shower doors are warranted to the original purchaser to be free from defects in material and workmanship for 18 months from the date of purchase. ANNWA's shower doors are not designed for commercial use; therefore, the warranty of commercial products are invalid.

2. Under the following conditions, customers will not be entitled to the free warranty.

- Beyond the warranty period.
- Failure caused by improper installation, usage and maintenance according to the product manual or
- use in a service environment that does not comply with the provisions of the product manual.
- Product failure or components damage caused by the use of detergent with coarse particles such as decontamination powder or polishing powder, nylon brush, abrasive cloth or sandpaper.
- Product failure or components damage caused by force majeure such as natural disasters (including earthquake, fire hazard, etc.) and other accidents (collision, smashing, stepping, etc.)

### Foshan Gaoming ANNWA Ceramic Sanitary Ware Co., Ltd

Address: Sanming Road, Hecheng Subdistrict, Cangjiang Industrial Park, Sanzhou Township, Gaoming District, Foshan, Guangdong Province, China

Email: [annwahelp@annwa.com.cn](mailto:annwahelp@annwa.com.cn)

