

Bookcase

assembly guide

introduction



Before starting, please check all components and accessories according to the provided list. If you purchased more than one product, to prevent confusion, be sure that you completed the first product, then start the next one. Please make sure that you select correct numbered part and use specific connector to assemble. We do not recommend any modification or rotation in assembly. Please follow the manual carefully.

Furniture parts are going to several manufacturing procedures. During this process, parts can have little dust or marks. Please clean the parts with damp cloth before assembly to get the best result. Usual cleaning would be suffice.

Valued Customer,

We design and carefully manufacture our products for our customers, We wish that our customers to have fun while they are doing their new furniture

The product you just purchased was subjected to all sorts of tests and controls before sending out to you.

Hope you enjoy your new furniture!!!

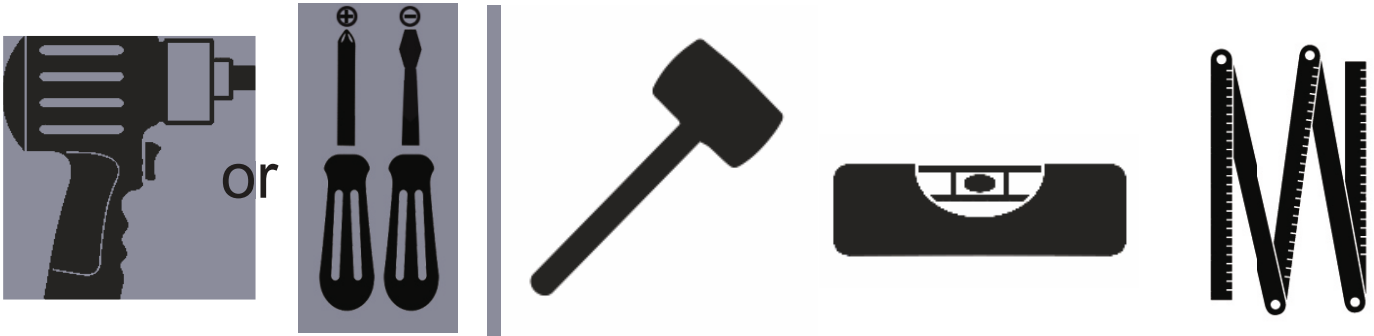


Do not use your furniture for out of purposes. If you would like to use it out of purpose or would like to do some modification or rotation, please contact us for more details.

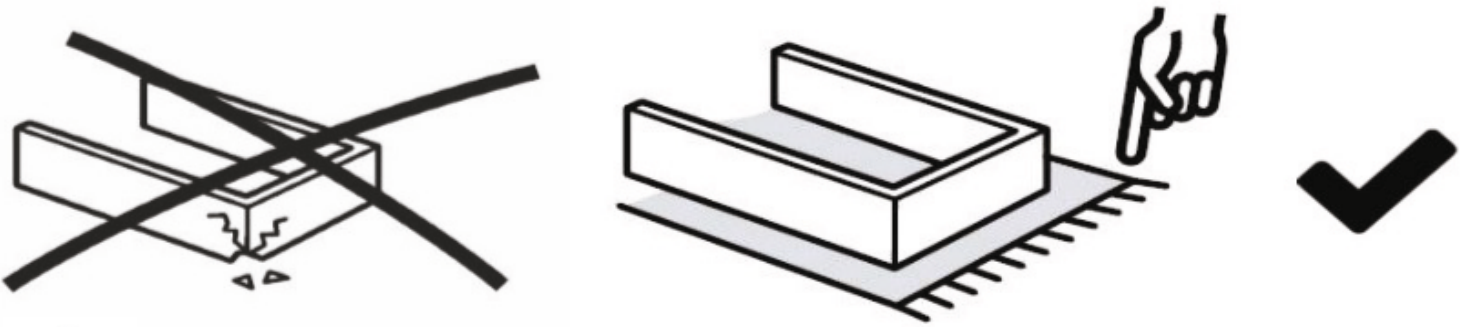
Please do not expose your furniture with excessive heat, cold and humidity because product can be affected negatively.

Although all products are carefully manufactured and packed, sometimes we experience damage during transportation. In such cases, please check the damaged part, note the part number written on the part and do not hesitate to contact us

before you start



Get required installation tools prepared.

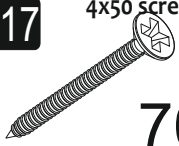

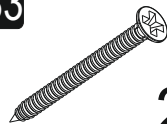

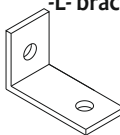
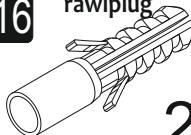


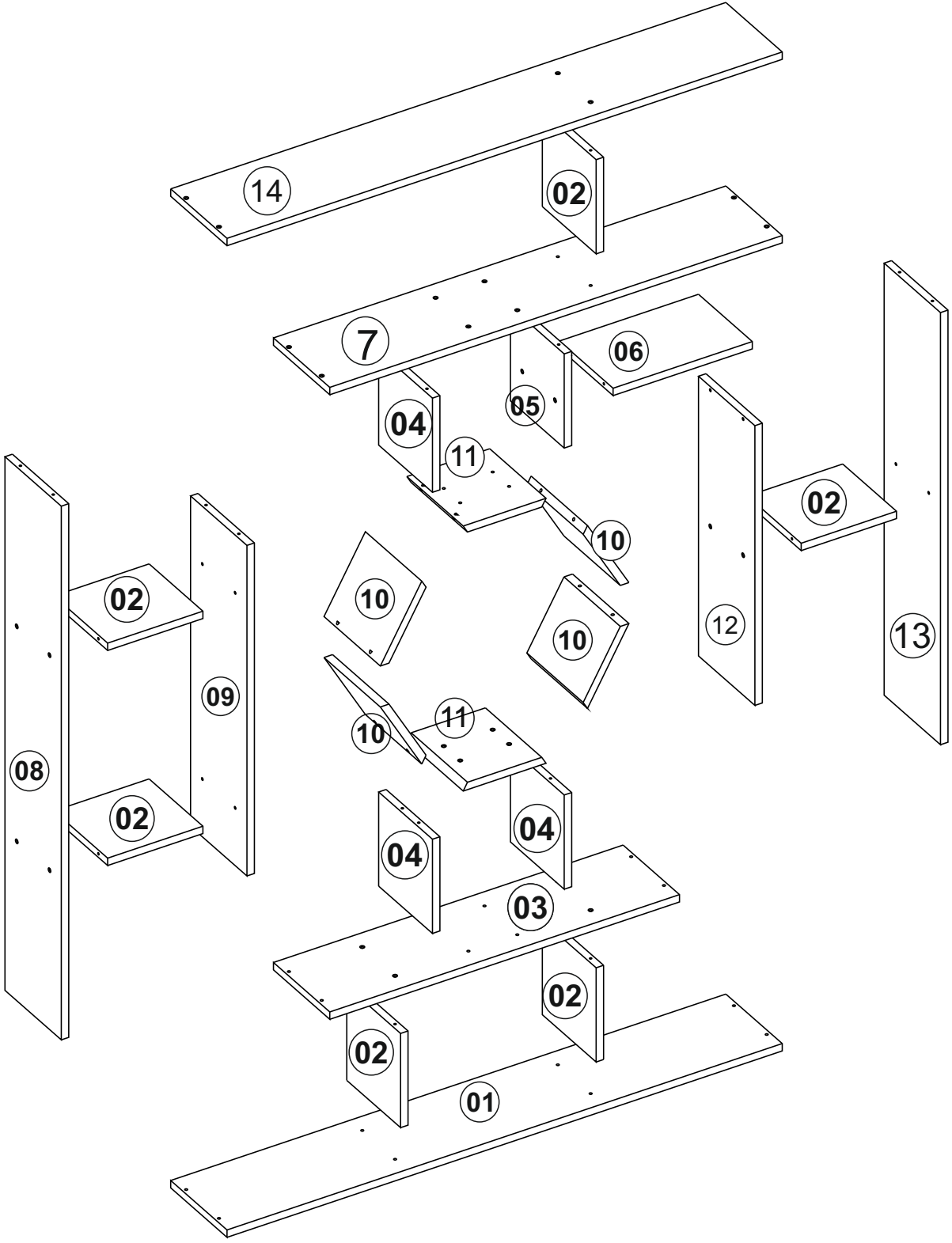
Do not install the product on rough surfaces.



Get help from someone else!

ACCESSORY LIST

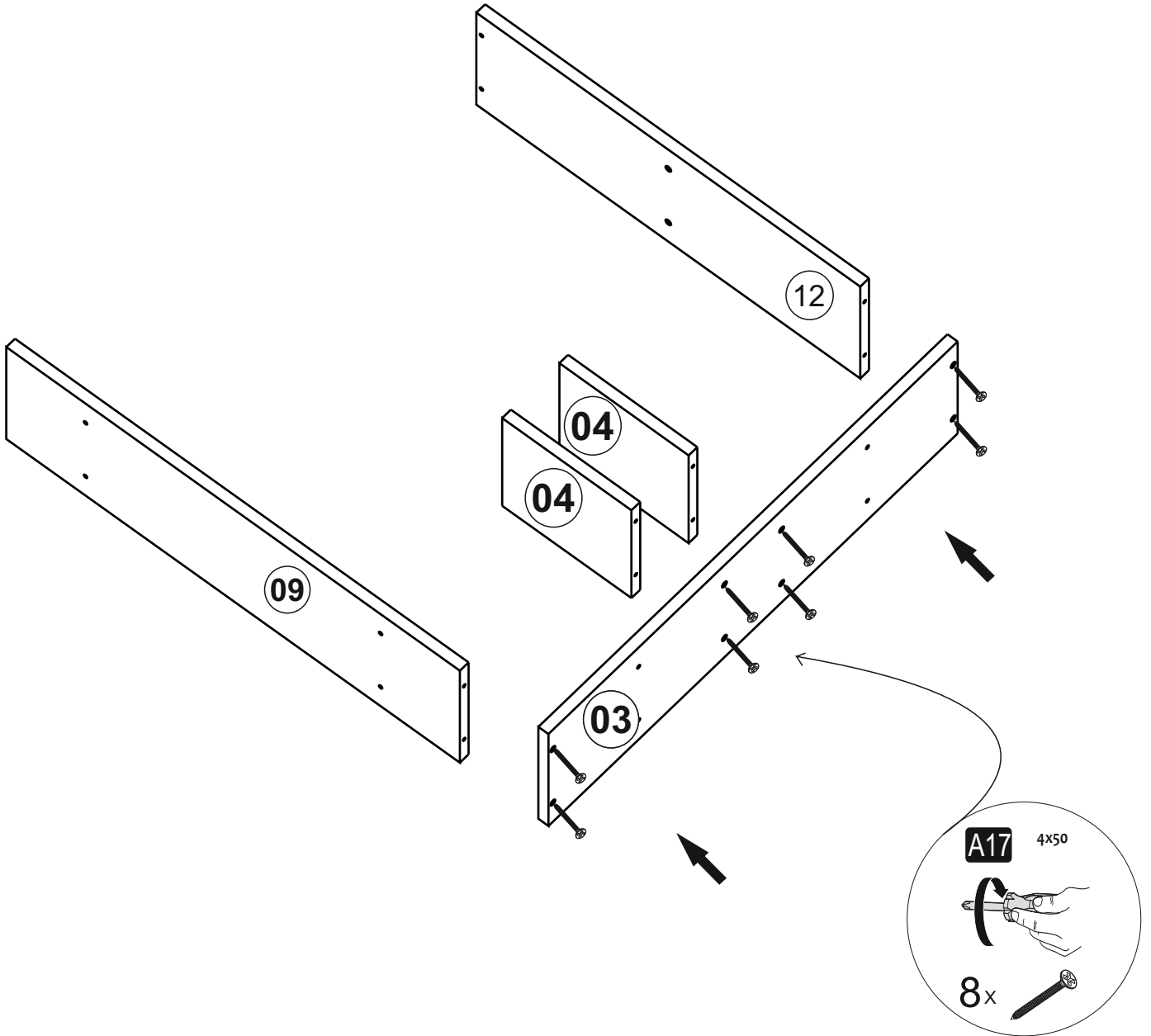
A17 4x50 screw  70x	A07 14mm sticker  70x	A33 5x70 screw  2x
A18 3,5x18 screw  2x	A35 -L- bracket  2x	A16 rawlplug Ø8  2x



1 step a

*Please attach the pieces #4,#9 and #12 to the piece #03 as shown below

*Now screw the A17(4x50 screw) with the help of a screwdriver clockwise direction



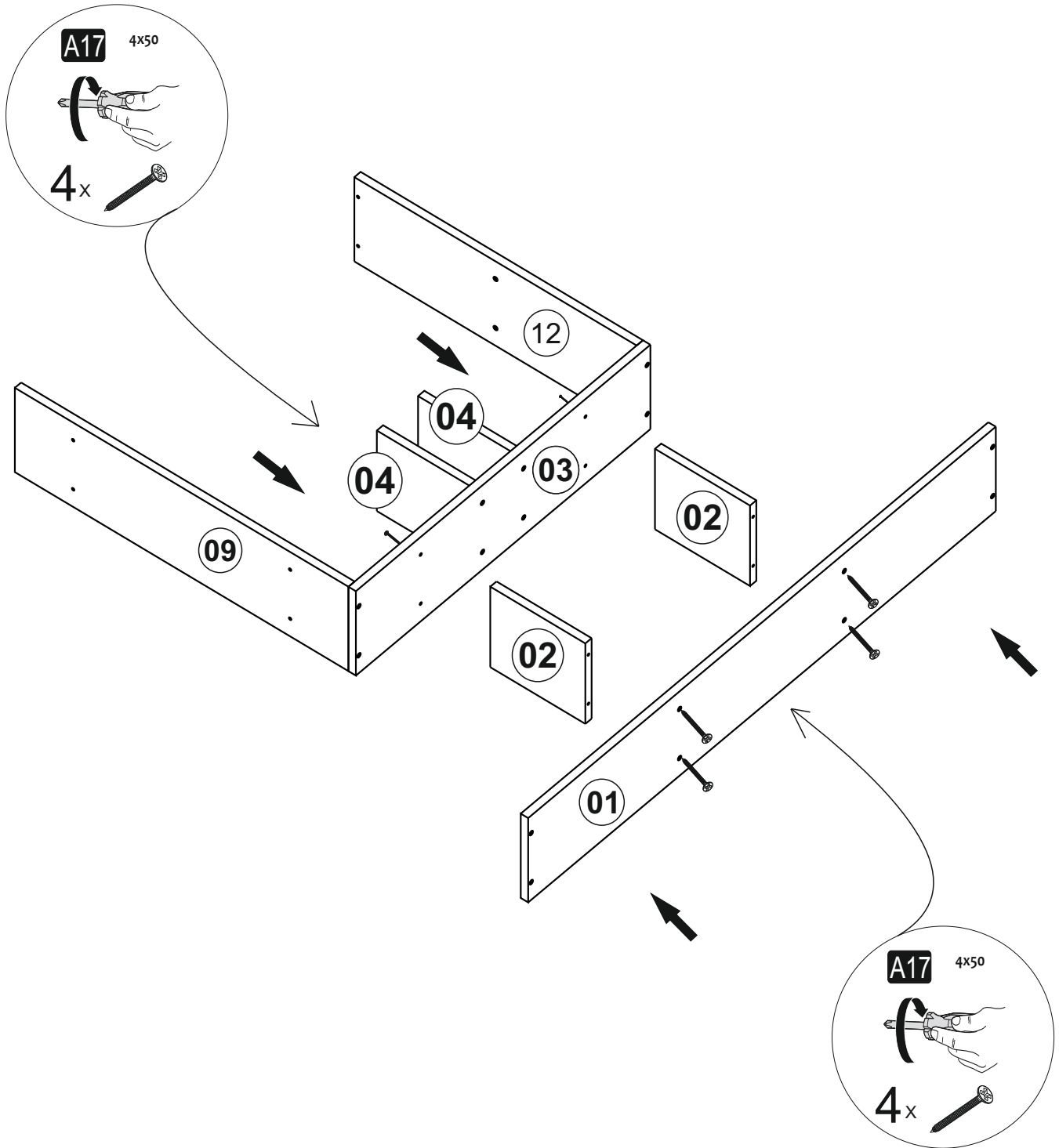
2 step b

*Please attach the pieces #2 to the piece #3 as shown below

*Now screw the A17(4x50 screw) with the help of a screwdriver clockwise direction

*Please attach the piece #1 to the pieces #02 as shown below

*Now screw the A17(4x50 screw) with the help of a screwdriver clockwise direction

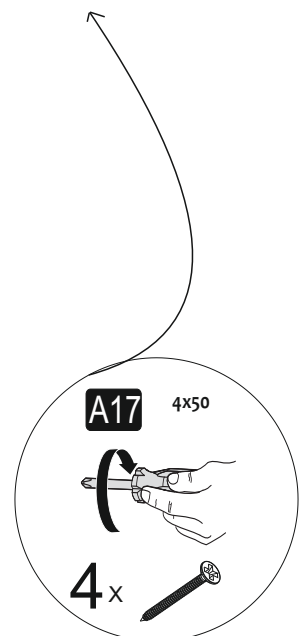
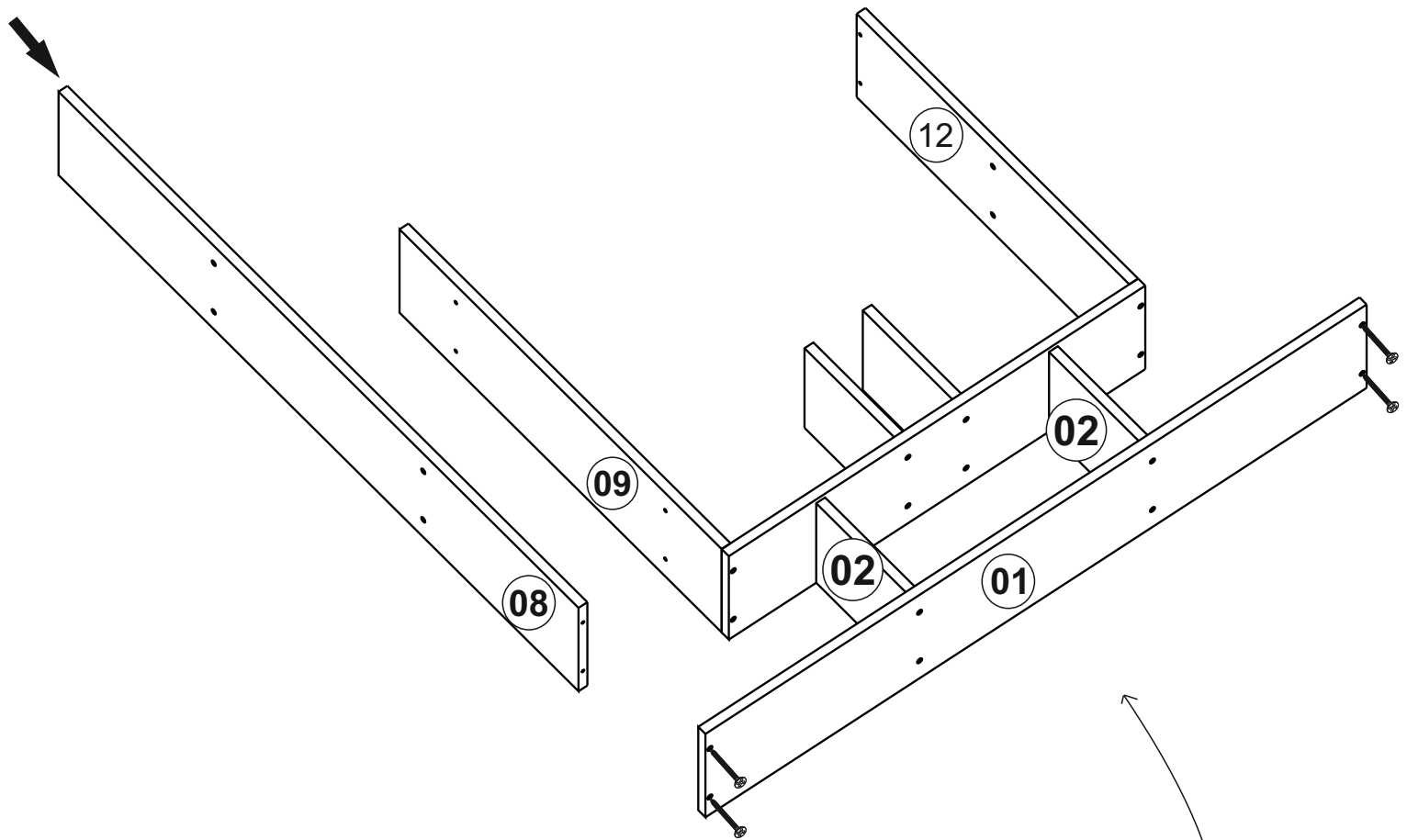


3

step c

*Please attach the piece #8 to the piece #1 as shown below

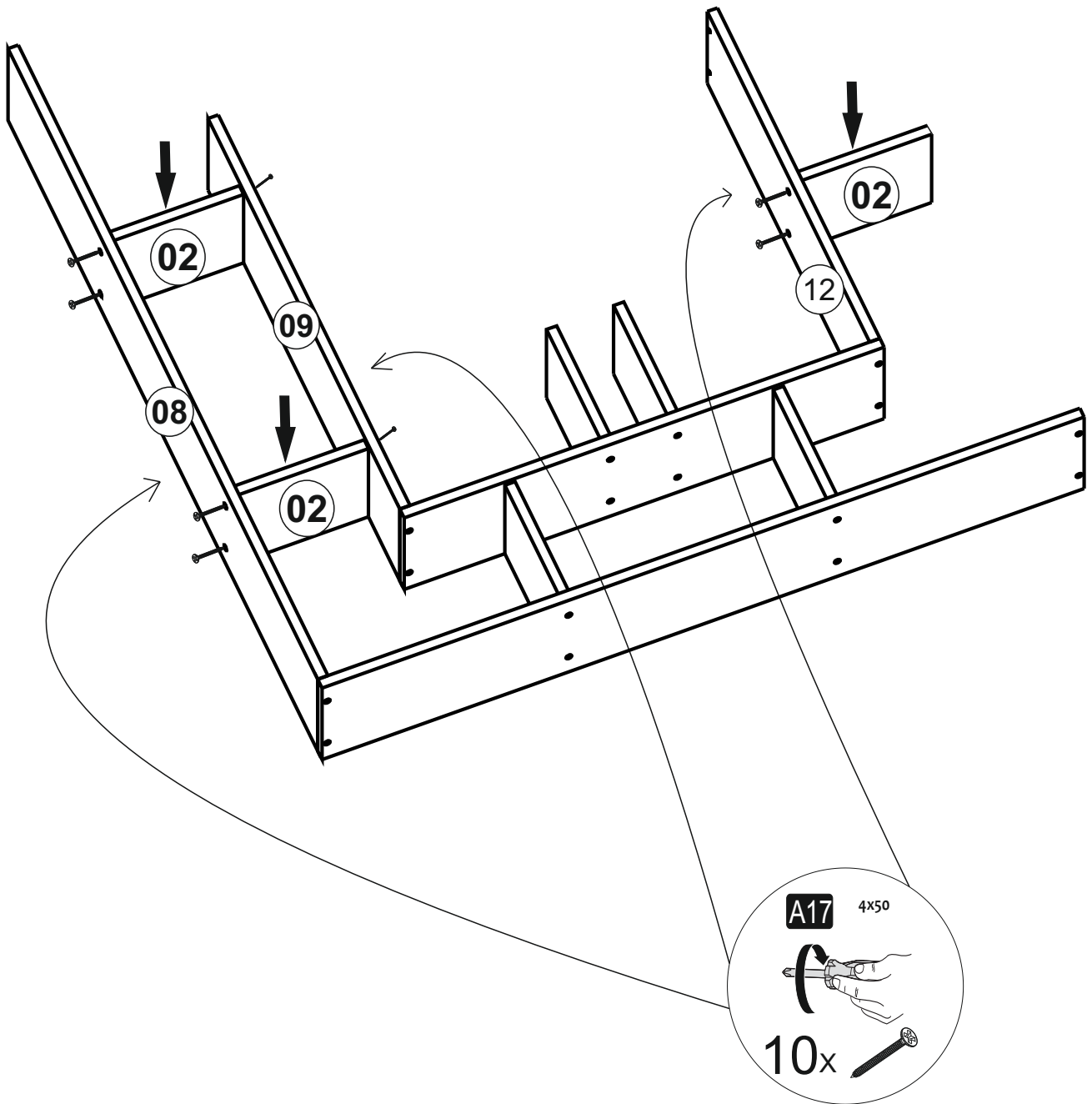
*Now screw the A17(4x50 screw) with the help of a screwdriver clockwise direction



4

step d

- *Please attach the pieces #2 between the piece #8 and #9 as shown below
- *Now screw the A17(4x50 screw) with the help of a screwdriver clockwise direction
- *Please attach the piece #2 to the piece #12 as shown below
- *Now screw the A17(4x50 screw) with the help of a screwdriver clockwise direction

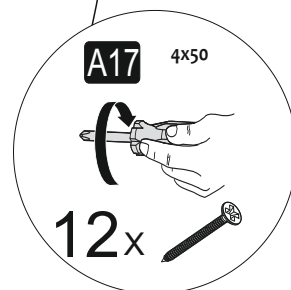
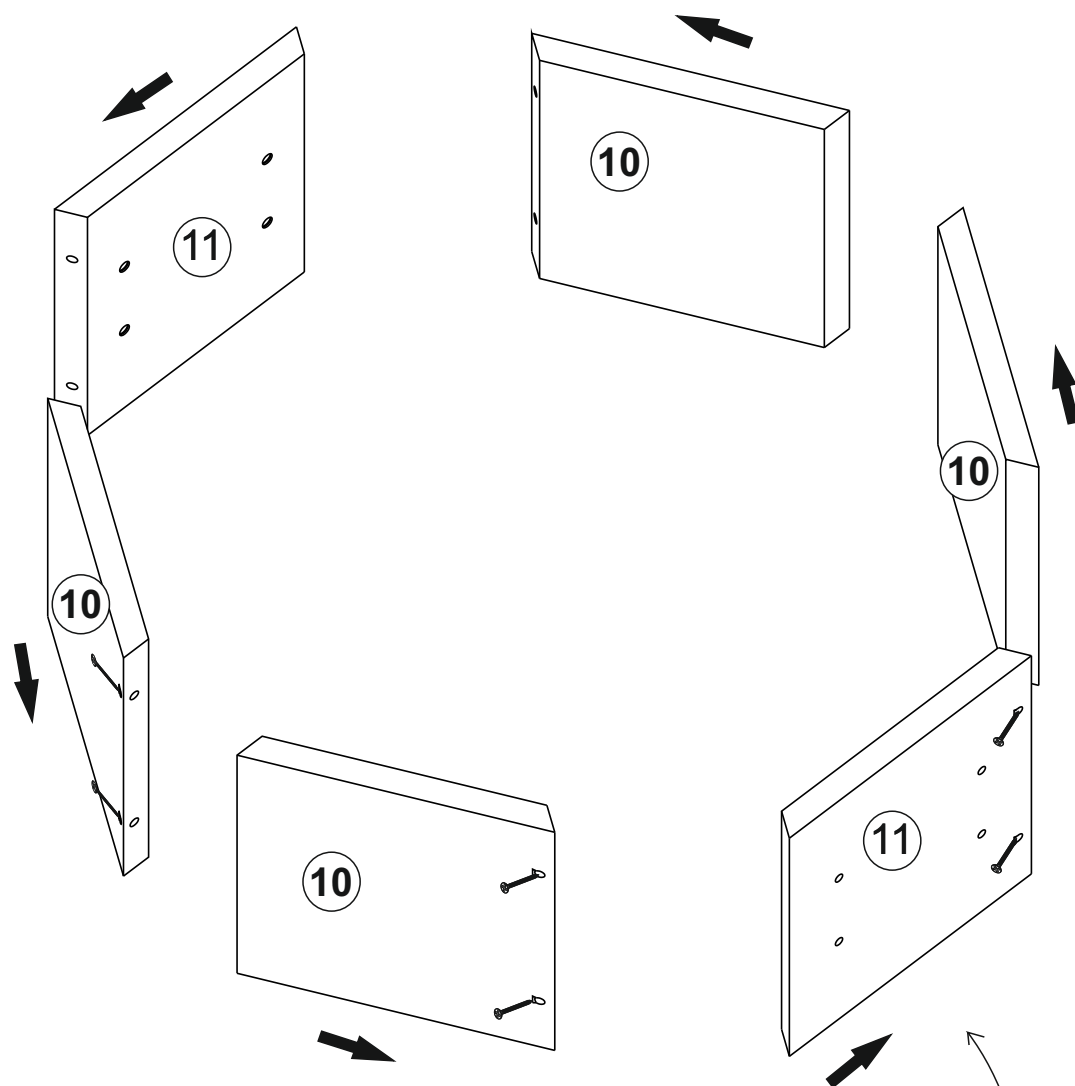


5

step e

*Please attach the pieces #10 and #11 together in the shape of hexagon as shown below

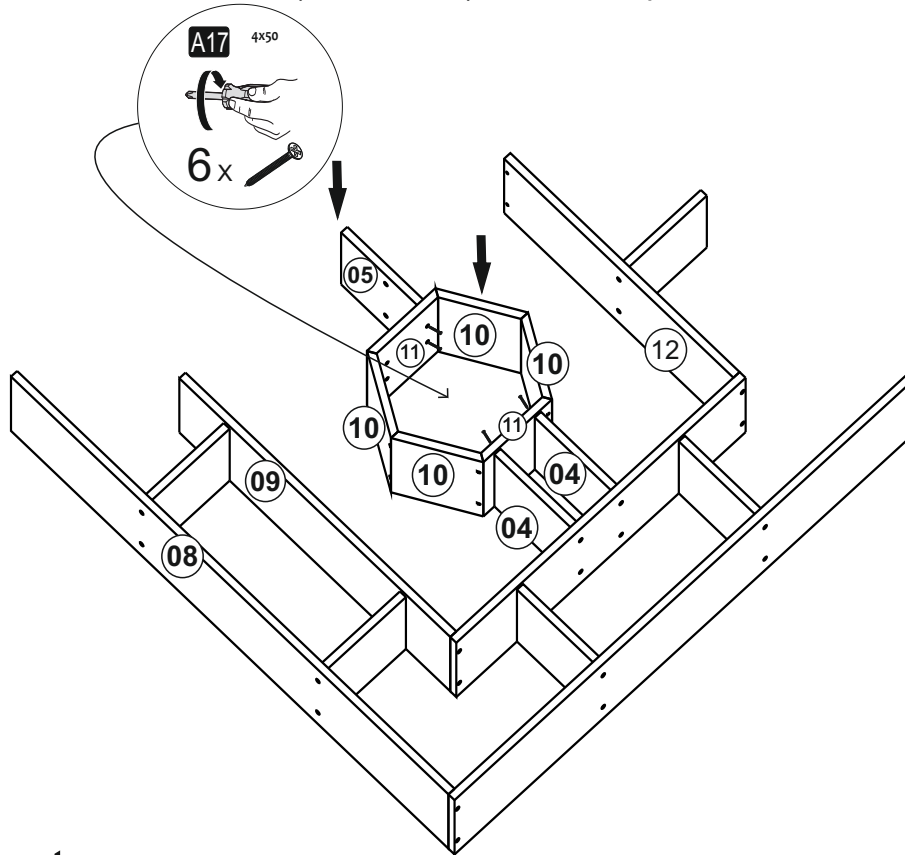
*Now screw the A17(4x50 screw) with the help of a screwdriver clockwise direction



6

step f

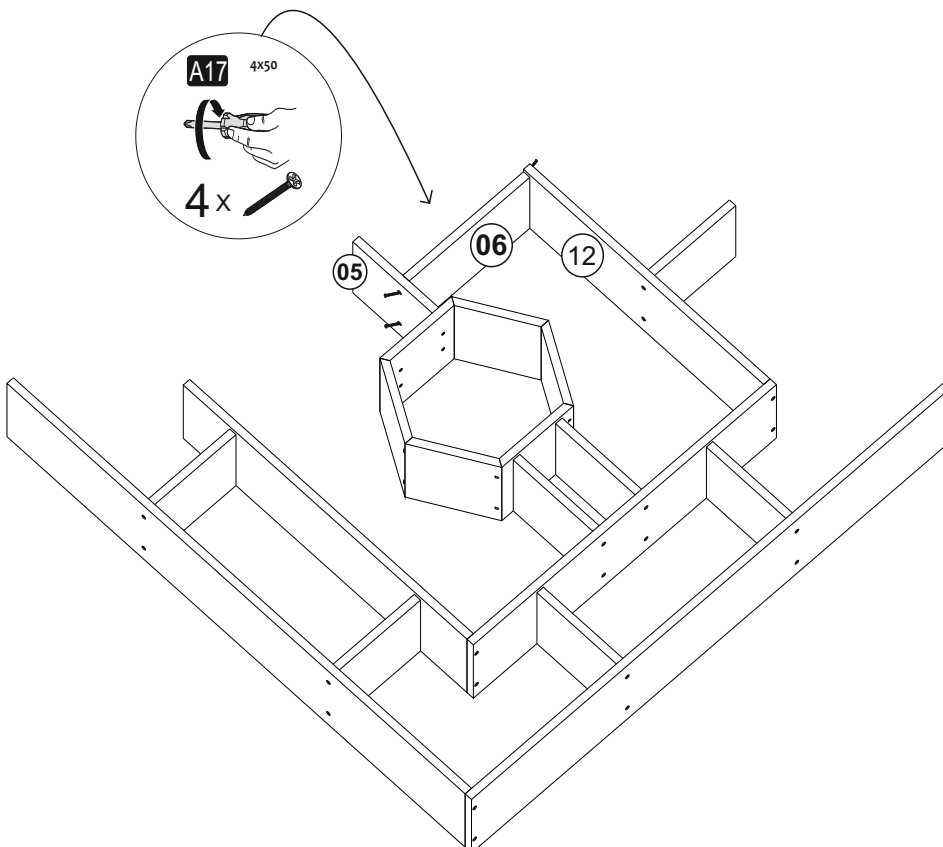
- *Please attach the hexagon part to top of the pieces #4 as shown below
- *Now screw the A17(4x50 screw) with the help of a screwdriver clockwise direction
- *Please attach the piece #5 part to the hexagon as shown below
- *Now screw the A17(4x50 screw) with the help of a screwdriver clockwise direction



7

step g

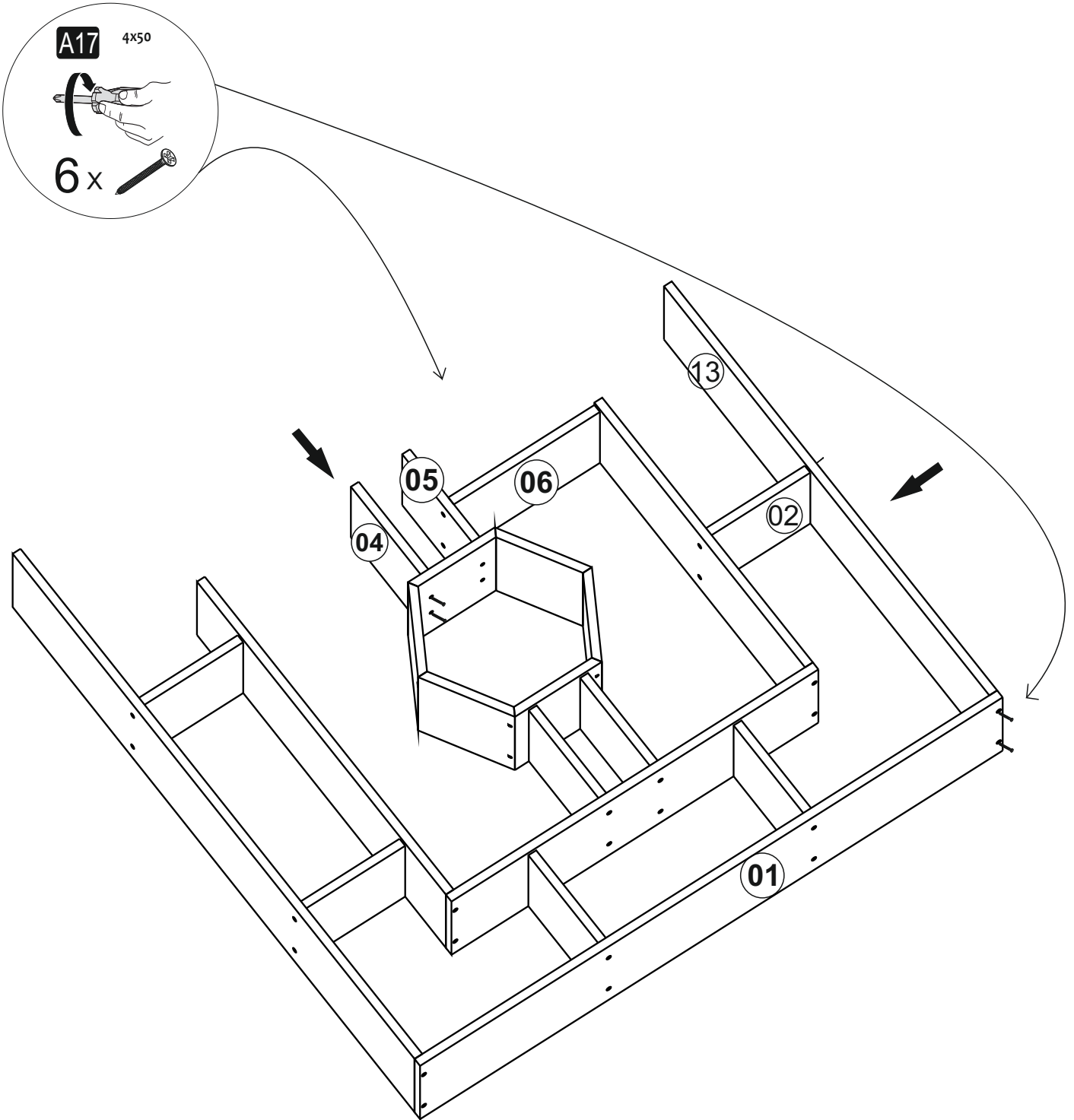
- *Please attach the piece #6 between the piece #5 and #12 shown below
- *Now screw the A17(4x50 screw) with the help of a screwdriver clockwise direction



8

step h

- *Please attach the piece #13 to the pieces #2 and #1 as shown below
- *Now screw the A17(4x50 screw) with the help of a screwdriver clockwise direction
- *Please attach the piece #4 to top of the hexagon as shown below
- *Now screw the A17(4x50 screw) with the help of a screwdriver clockwise direction

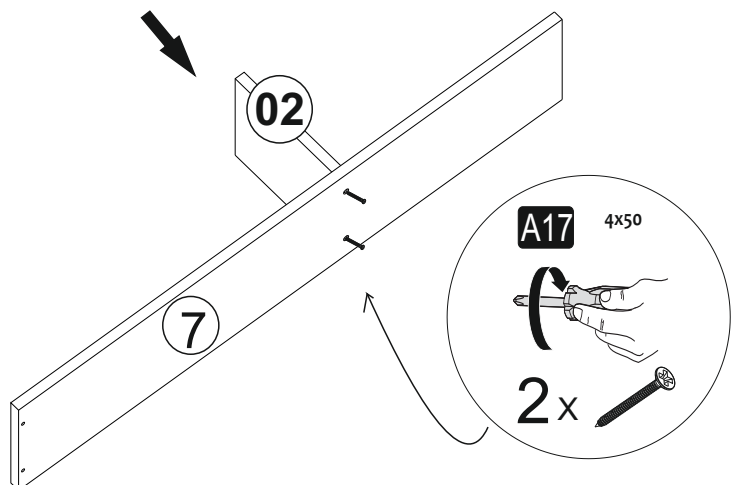


9

step i

*Please attach the piece #2 to the pieces #7 as shown below

*Now screw the A17(4x50 screw) with the help of a screwdriver clockwise direction

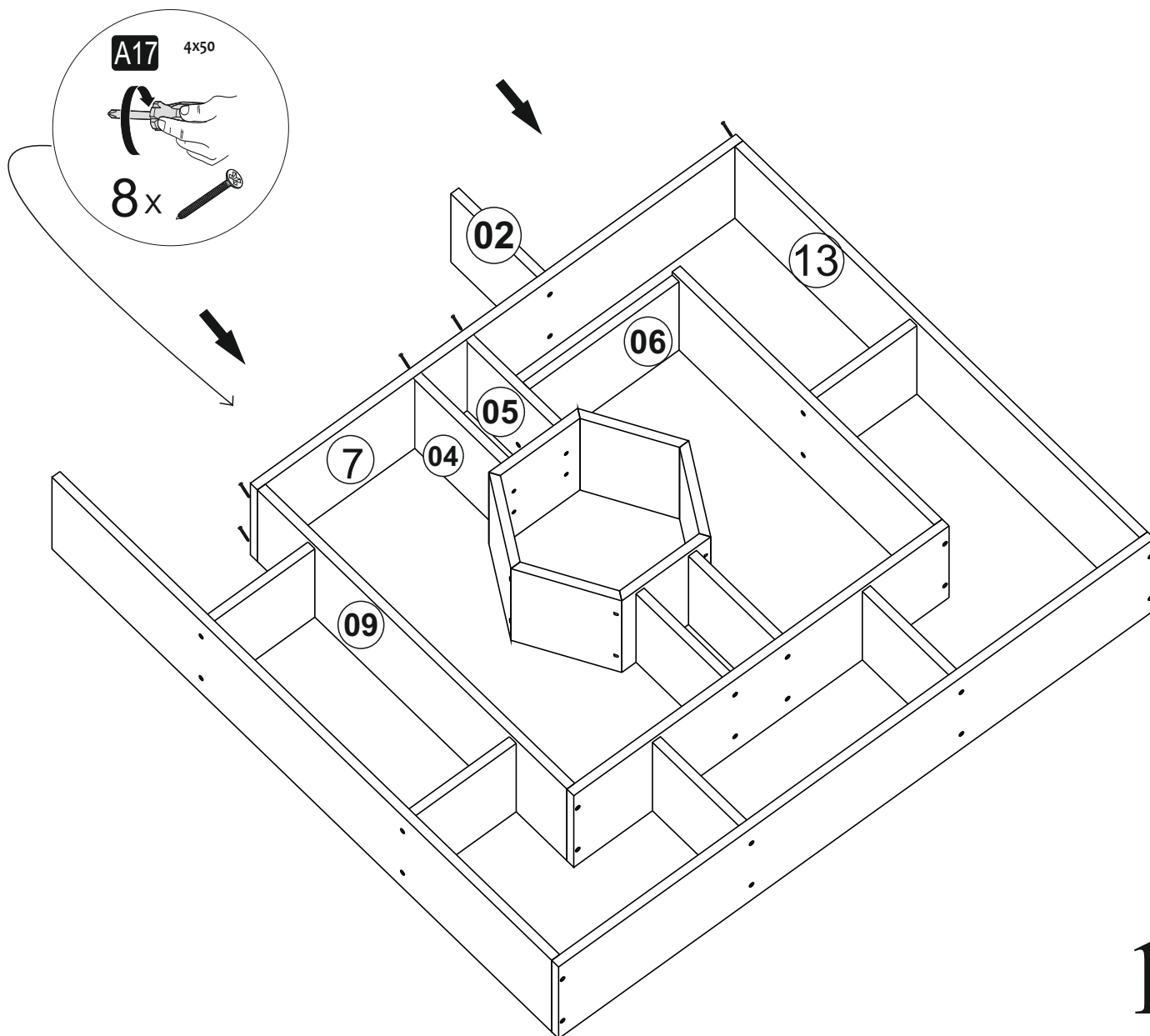


10

step j

*Please attach the part we installed in step i to top of the bookcase as shown below

*Now screw the A17(4x50 screw) with the help of a screwdriver clockwise direction

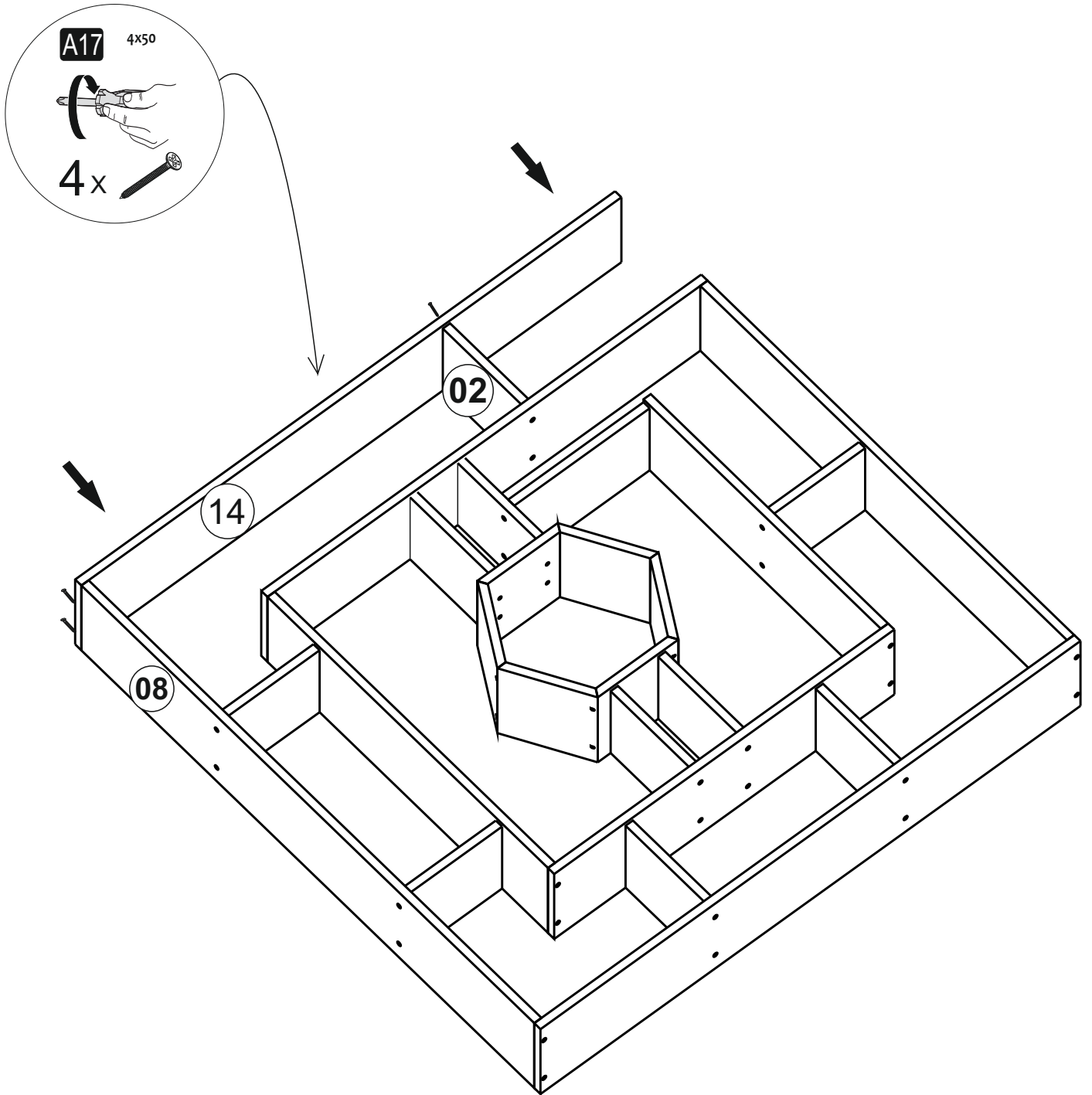


11

step k

*Please attach the the piece #14 to the top of the bookcase as shown below

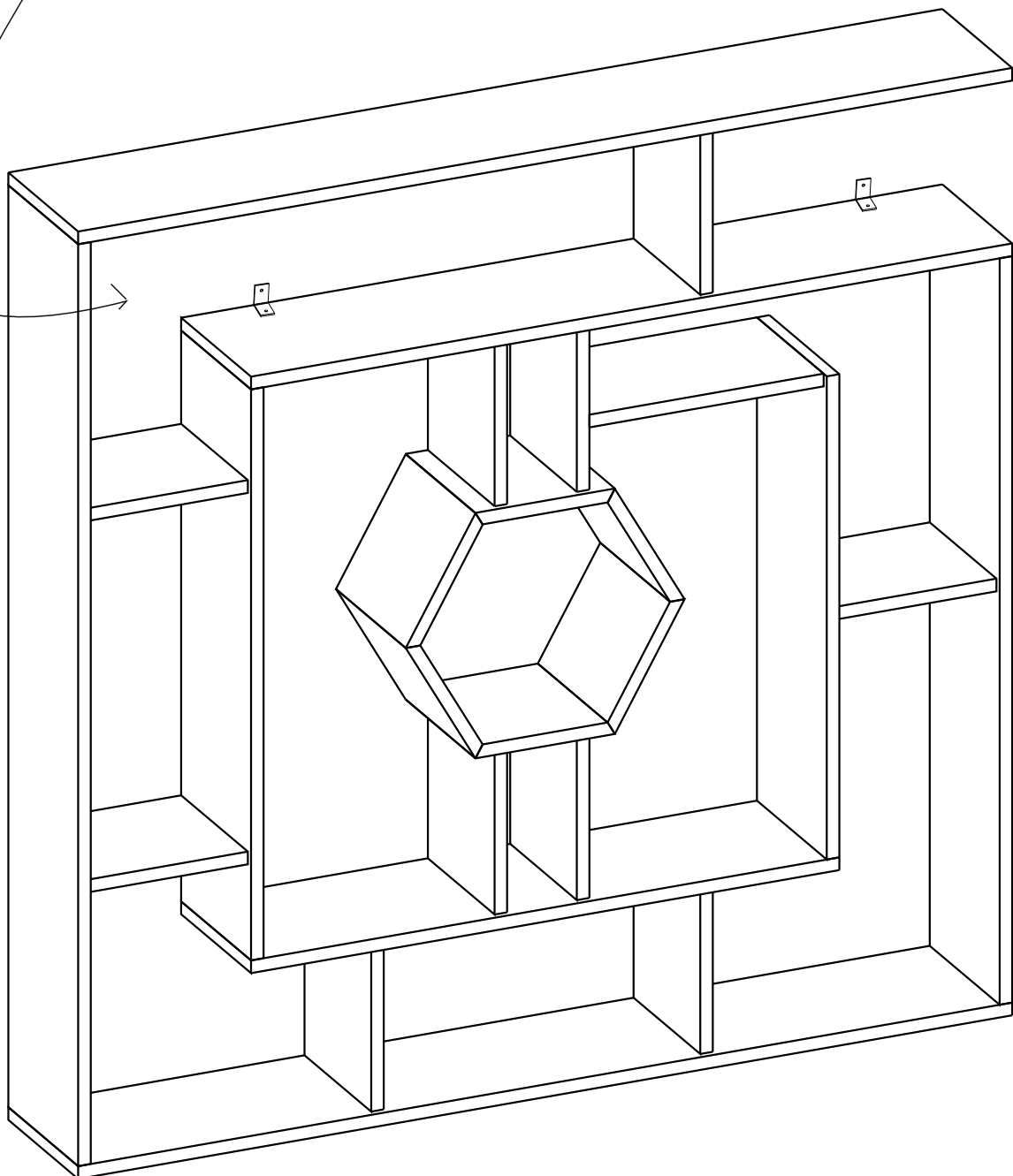
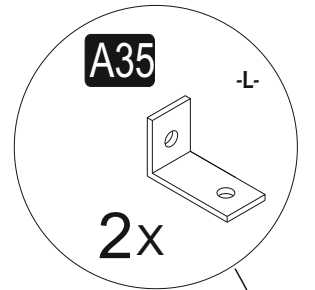
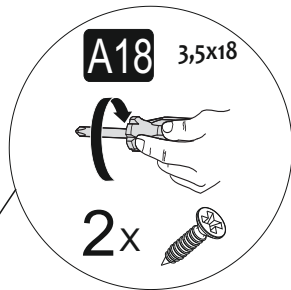
*Now screw the A17(4x50 screw) with the help of a screwdriver clockwise direction



12 step I

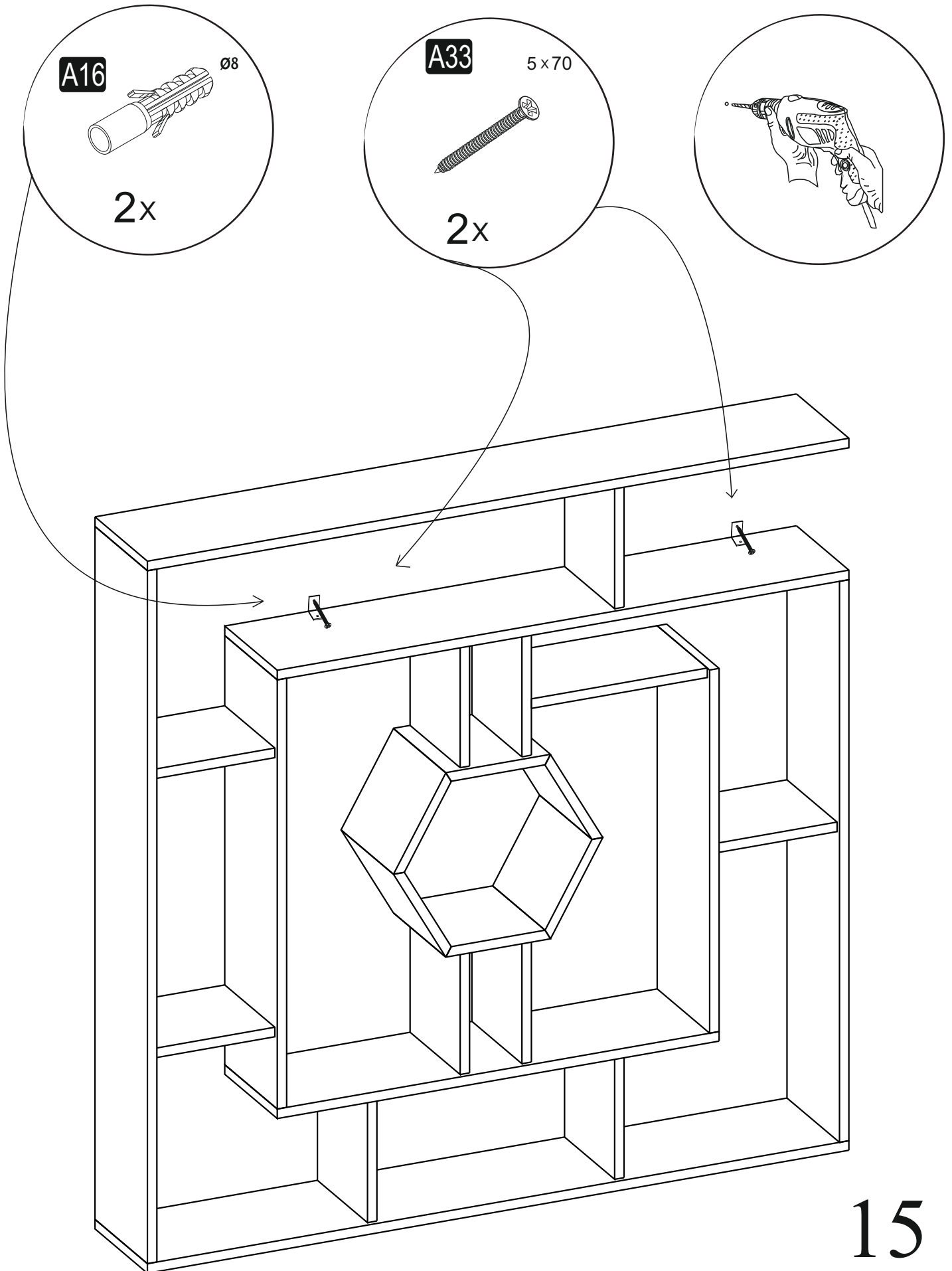
*For better results and ensuring stability, please use A35 (L bracket) to mount the product to the wall as shown below

*Now screw the A18(3,5x18 screw) with the help of a screwdriver clockwise direction



13 step m

- *Please mark two points on the wall the way A35(L bracket) will fit them
- *Please choose a suitable drill bit and drill the two holes on the wall with an electric drill
- *Please nail A16 (rawlplug) down to the holes.
- *Now screw the A33(5x70 screw) with the help of a screwdriver clockwise direction

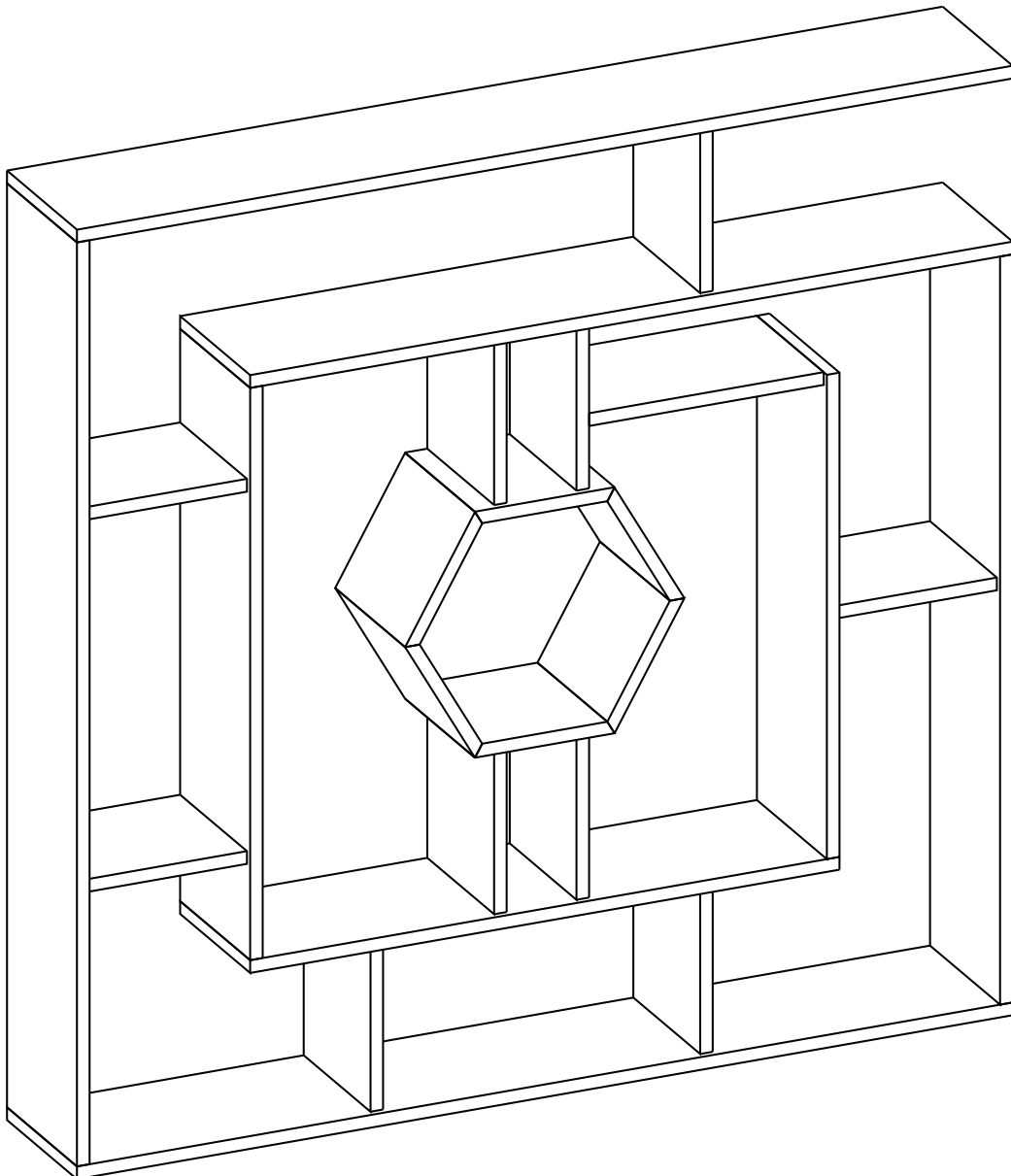
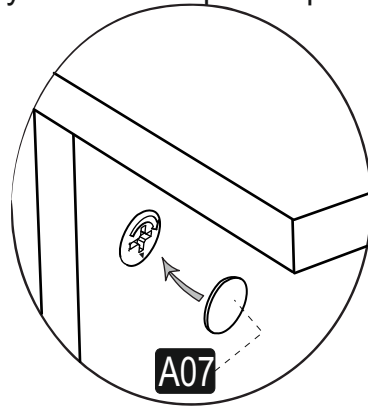


14

step n

*For the best appearance of your furniture please place all A07(14 mm sticker) onto the A17 (4x50 screw)

final look



Enjoy your product!