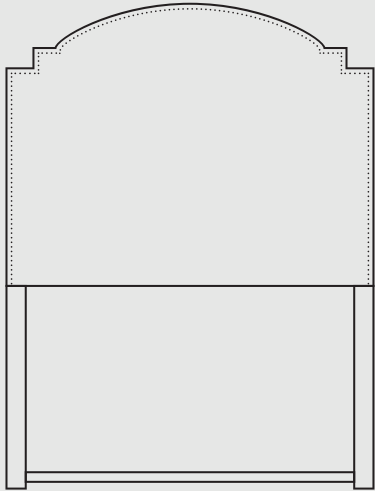


Model: \_\_\_\_\_

Lot No: \_\_\_\_\_

Date of Purchased: \_\_\_\_\_

# FULL / QUEEN HEADBOARD



## ADULT ASSEMBLY REQUIRED

If you are missing any parts or have any questions regarding assembly, do not return this item to the retailers store. Please call our toll-free customer service number and have this assembly manual open to the parts list ready to provide the model name, and part name or number.

Customer Service

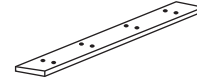


## PARTS AND HARDWARE

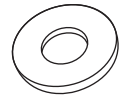
Avoid using sharp objects such as a knife to cut open packing as you may accidentally damage the upholstery.



A. 1-3/4" Bolt  
20x



B. Connector  
2x



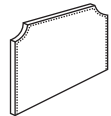
C. Shim  
24x



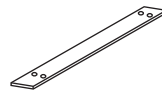
D. Spring  
24x



E. Wrench  
1x



F. Headboard  
1x



G. Foot Connector  
1x



H. 1" Bolt  
4x

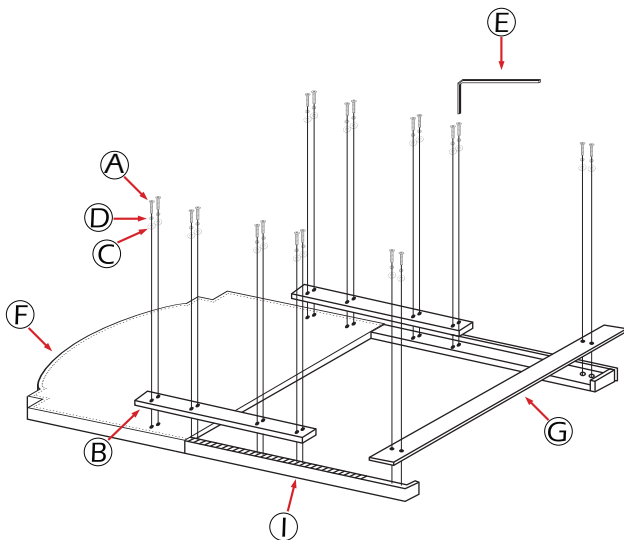


I. Foot  
2x

**WARNING:** This product may contain small components, please ensure they are kept away from small children.

## ASSEMBLY INSTRUCTIONS

1



2

