

# Assembly Instructions



## Safety And Care Advice

**Important – Please read these instructions fully before starting assembly.**

Please check if all the components and tools listed out are received.

Please remove all fittings from the plastic bags and separate them into homologous groups.

Please keep children and animals away from the working areas; swallow small parts may cause suffocation.

Please make sure you have enough space to lay out the parts before starting.

Do not stand on the product, which could cause damage.

Please assemble the product as close to its final position as possible.

Do not place furniture directly in front of radiators, fires, or any other source of heat.

The assembly will be easier with 2 people.

Please dispose of all packaging carefully and responsibly.



## General care and maintenance

Please clean with a damp cloth or mild detergent, do not use bleach or abrasive cleaners.

Do not allow the spill to stay on the surface for a long time.

Do not clean with products containing the following: acetone (e.g., nail varnish remover), ammonia (e.g.bleach), or sodium hydroxide(e.g., caustic soda, drain, and oven cleaners).

If the product is accidentally exposed to the irritating liquid, rinse thoroughly with clean water.

Mats can be used to protect surfaces from moisture and heat.

Please check whether there are missing screws in the product regularly.

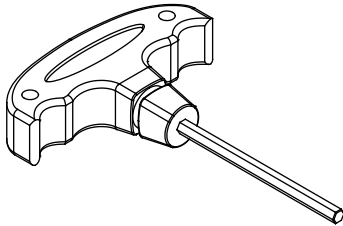
The product should not be discarded with household waste, and please take it to your local authority waste disposal center.

# Installation Tools

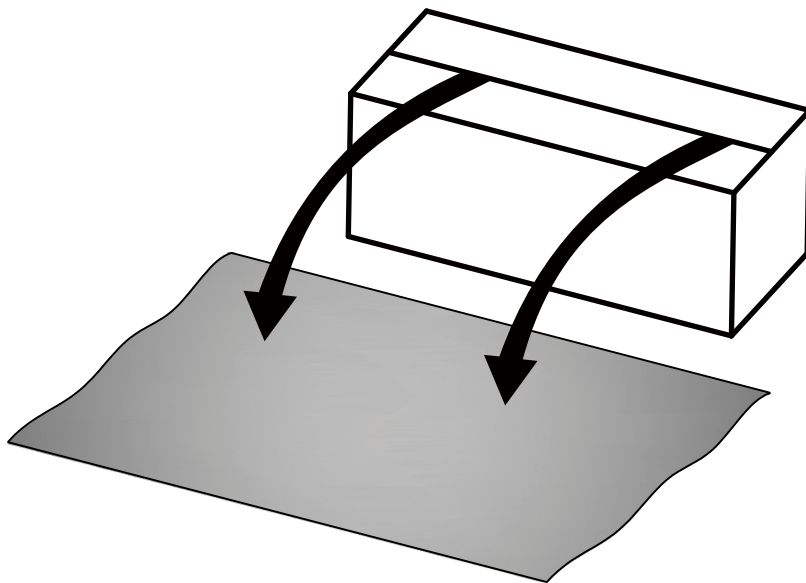


## Tools Required :

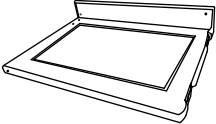
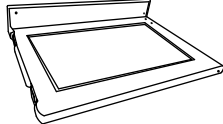
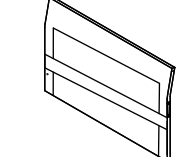
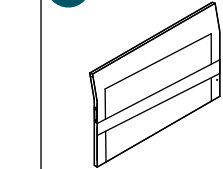
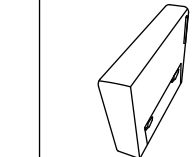
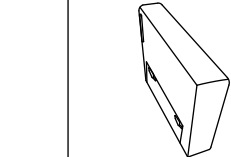
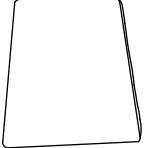

An Allen wrench is provided and placed inside the hardware package.

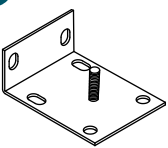
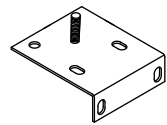
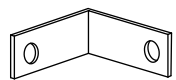
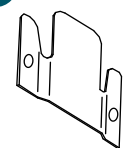


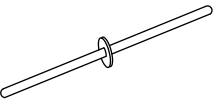






Lay a piece of clean paper or carpet on the floor, then put the product parts on it to prevent scratching.



# Parts List

<b>A</b> ×1  Right seat frame	<b>B</b> ×1  Left seat frame	<b>C</b> ×1  Right backrest	<b>D</b> ×1  Left backrest	<b>E</b> ×1  Right armrest	<b>F</b> ×1  Left armrest
<b>G</b> ×2  Seat cushion	<b>H</b> ×2  Back cushion				

<b>I</b> ×1  L-shaped sheet	<b>J</b> ×1  L-shaped sheet	<b>K</b> ×2  L-shaped bracket	<b>L</b> ×2  E-shaped latch plate	<b>M</b> ×4  Support leg	<b>N</b> ×2  Support leg
<b>O</b> ×1  Joint tube	<b>P</b> ×10  M8*16mm	<b>Q</b> ×8  M8*30mm	<b>R</b> ×6  Felt pad	<b>S</b> ×10  Flat washer	

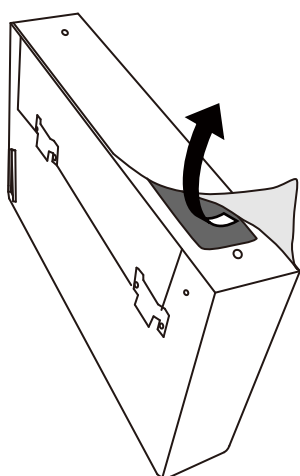


**i** **Important** - Please pay attention to check all components and hardware accessories have been received and are not missing.

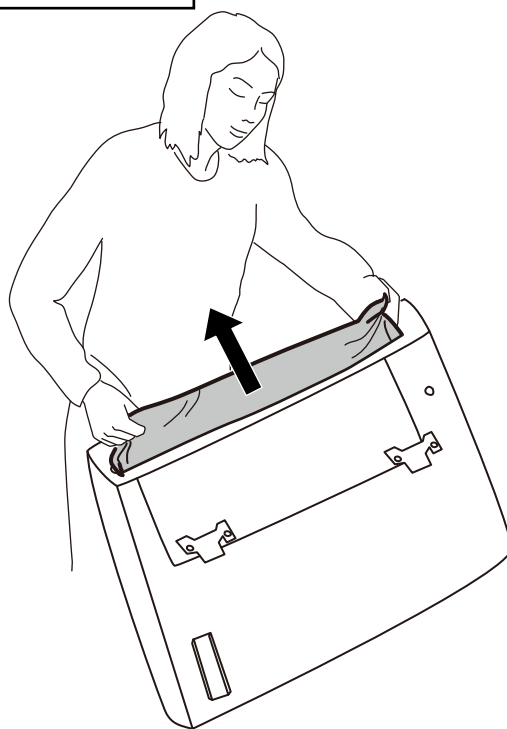
# Assembly Instructions

## Step 1

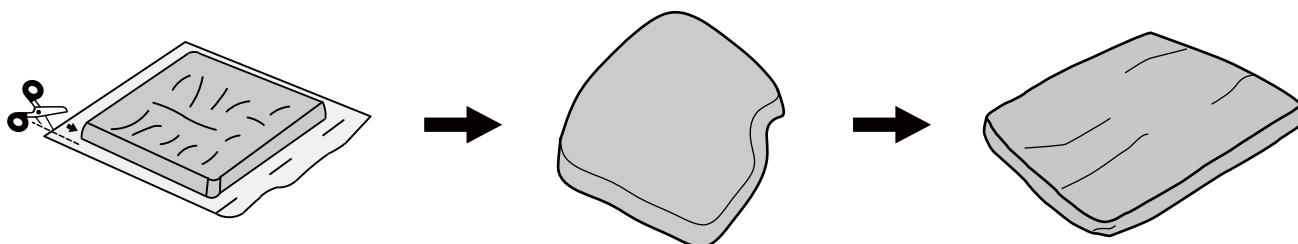
**i** Before assembly, please open the bottom of the armrest and take out the back cushions of the sofa from inside.



× 2



- i**
- 1. Unpackaging:** Remove the cushions from the vacuum-sealed packaging.
  - 2. Allow Expansion Time:** Let the cushions sit in a well-ventilated area for a few hours to expand naturally. It usually needs 48-72 hours to fully expand.
  - 3. Fluffing and Patting:** Gently fluff and pat the cushions to encourage air circulation and restore their shape.
  - 4. Massage and Knead:** Lightly massage and knead the cushions to redistribute the filling evenly.
  - 5. Apply Heat (Optional):** Using a hairdryer on a low-heat setting or placing a warm, damp cloth over the cushions can expedite the process and remove wrinkles.



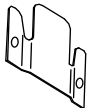
# Assembly Instructions

## Step 2

P x 4pcs



L x 1pc



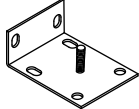
Q x 8pcs



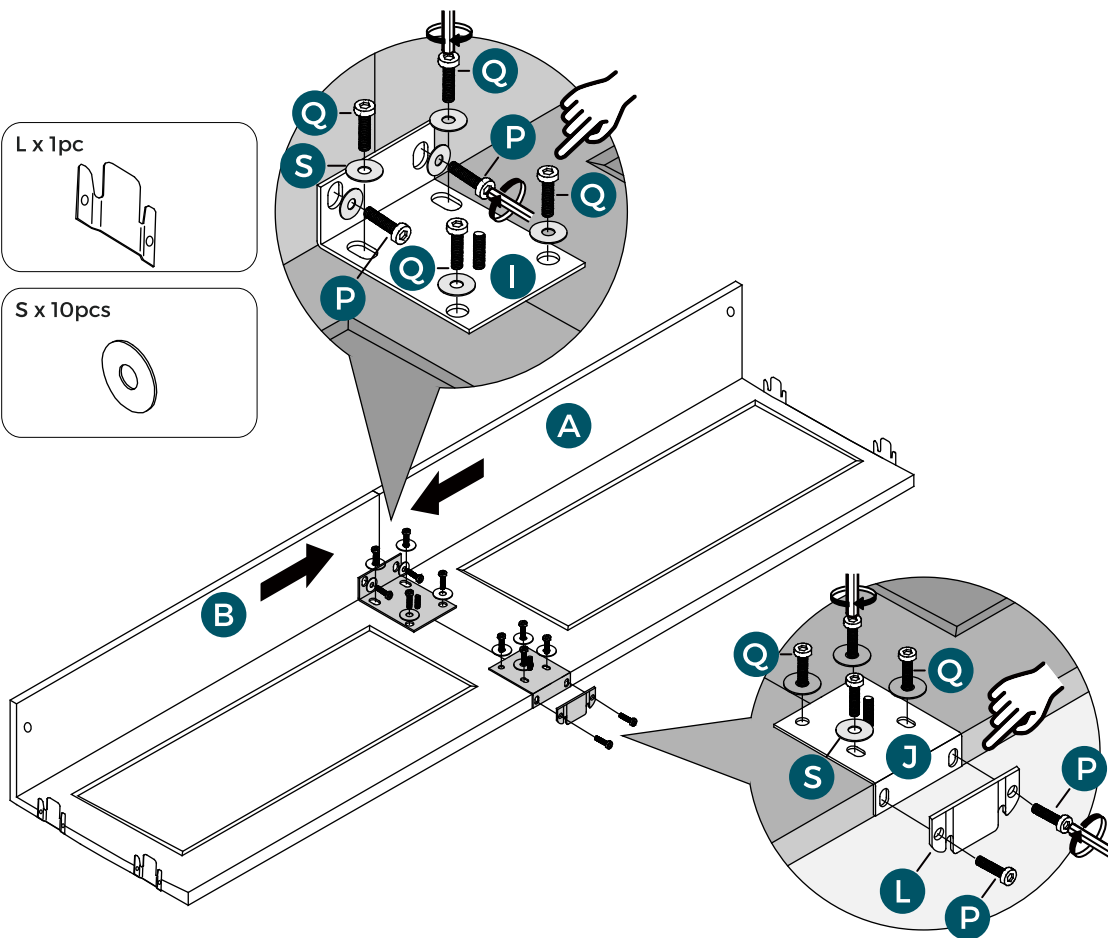
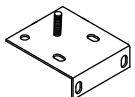
S x 10pcs



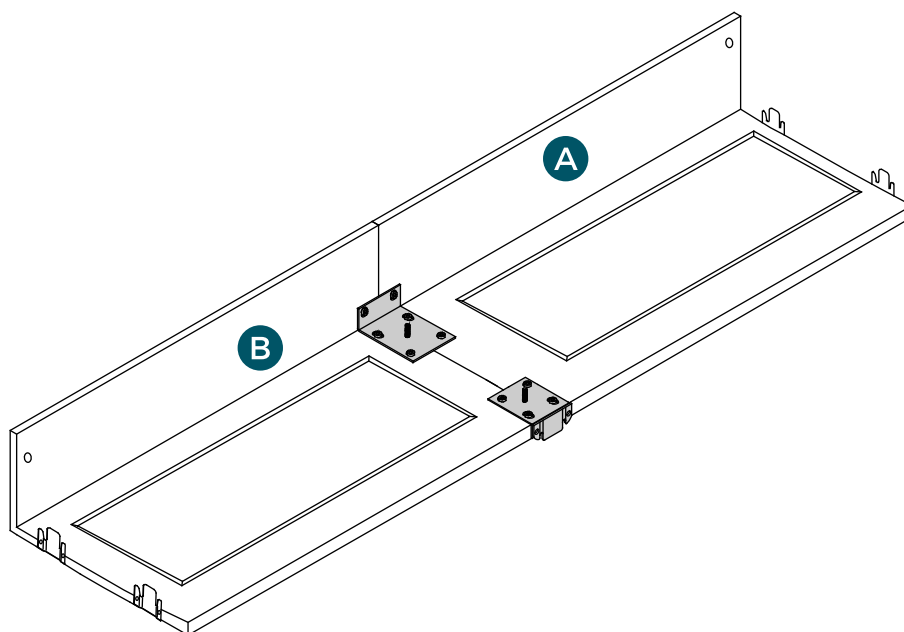
I x 1pc



J x 1pc

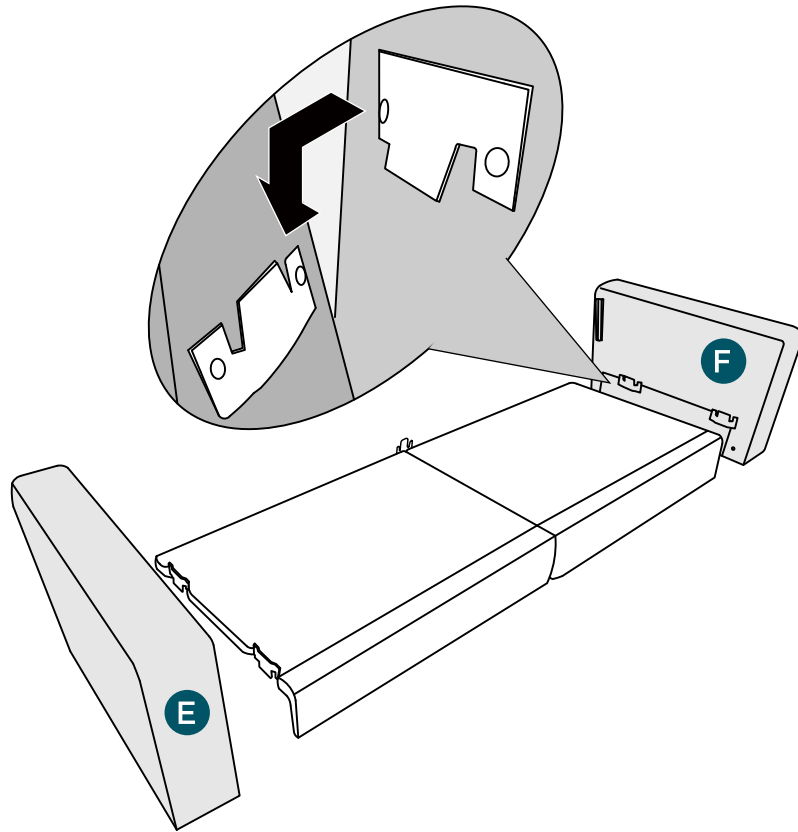


## Step 3

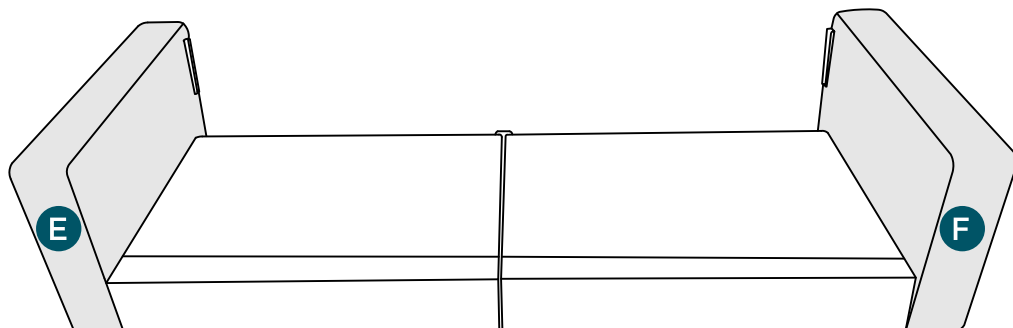


# Assembly Instructions

## Step 4



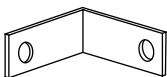
## Step 5



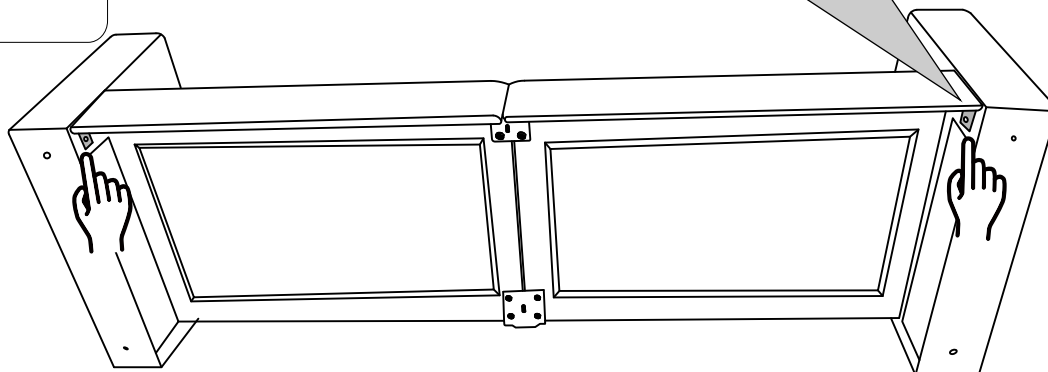
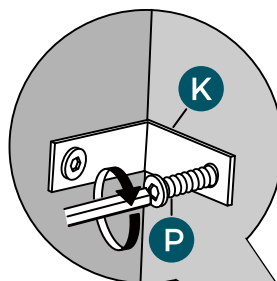
# Assembly Instructions

## Step 6

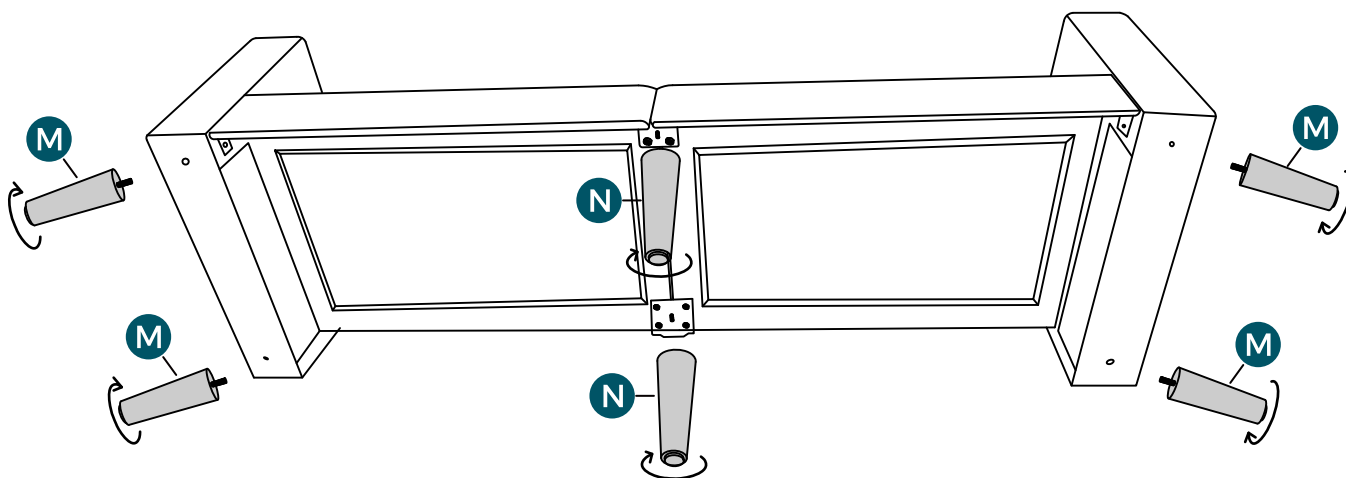
K x 2pcs



P x 4pcs



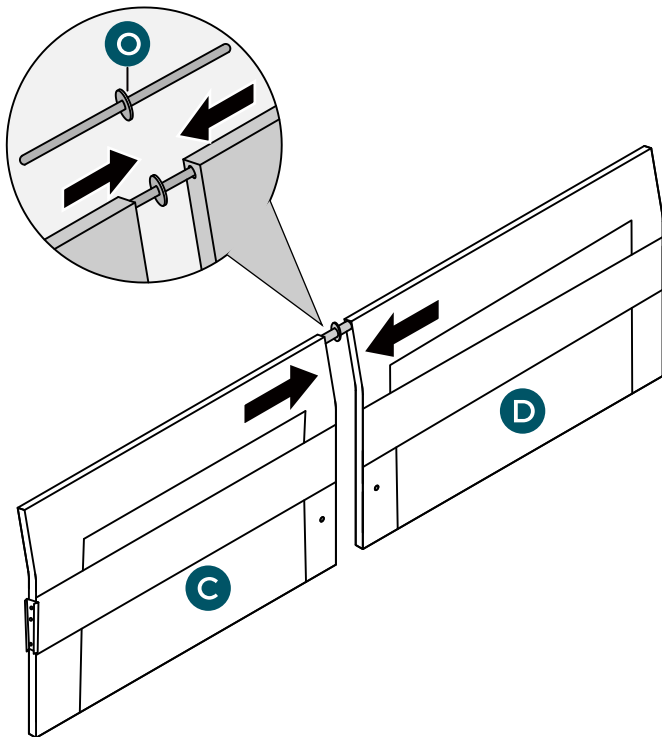
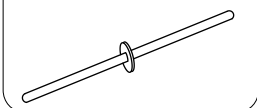
## Step 7



# Assembly Instructions

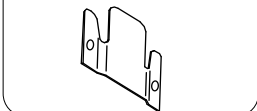
## Step 8

O x 1pc

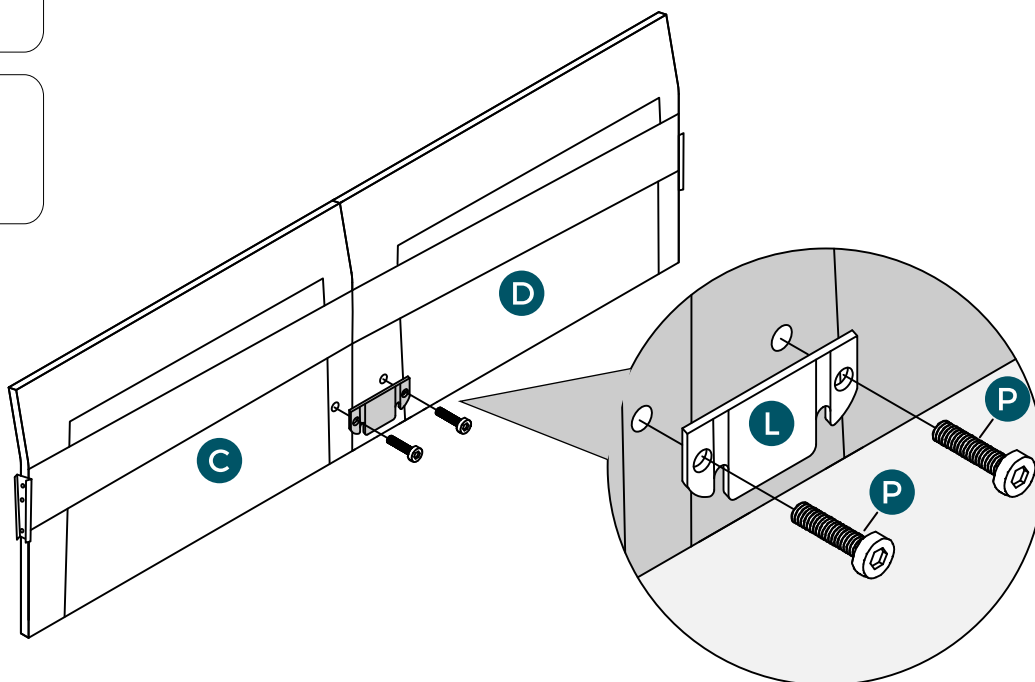


## Step 9

L x 1pc

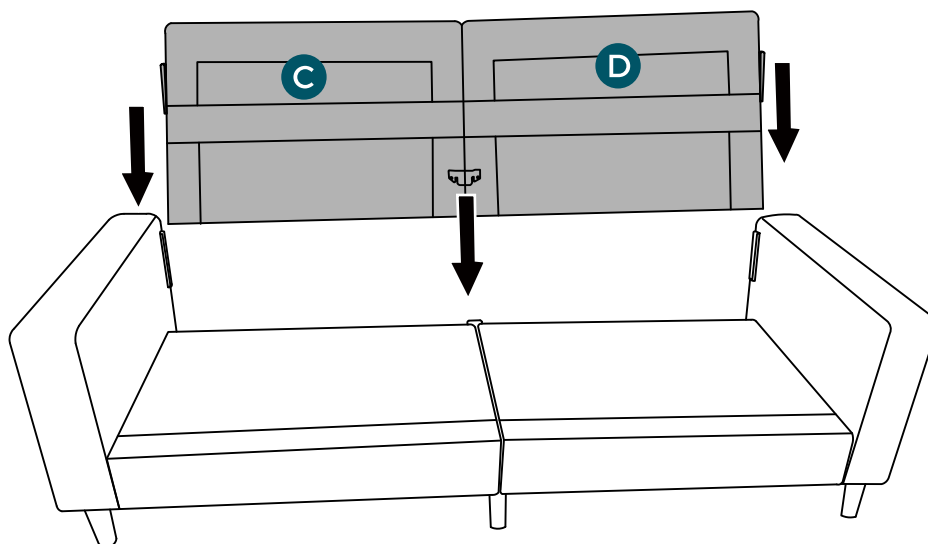


P x 2pcs

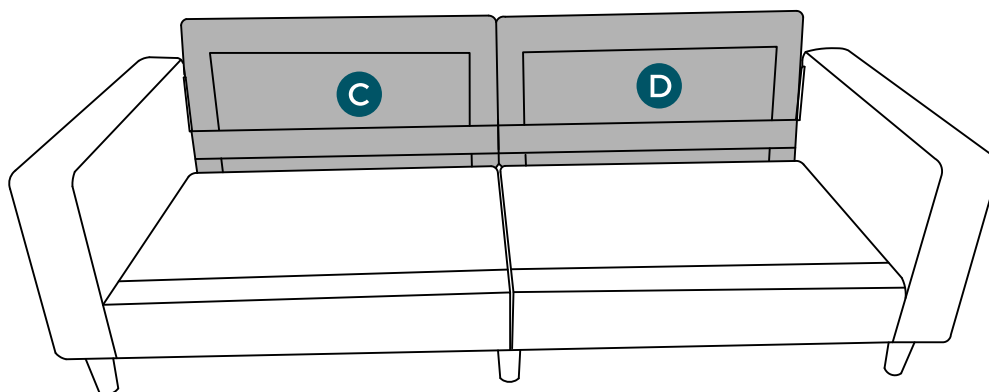


# Assembly Instructions

## Step 10

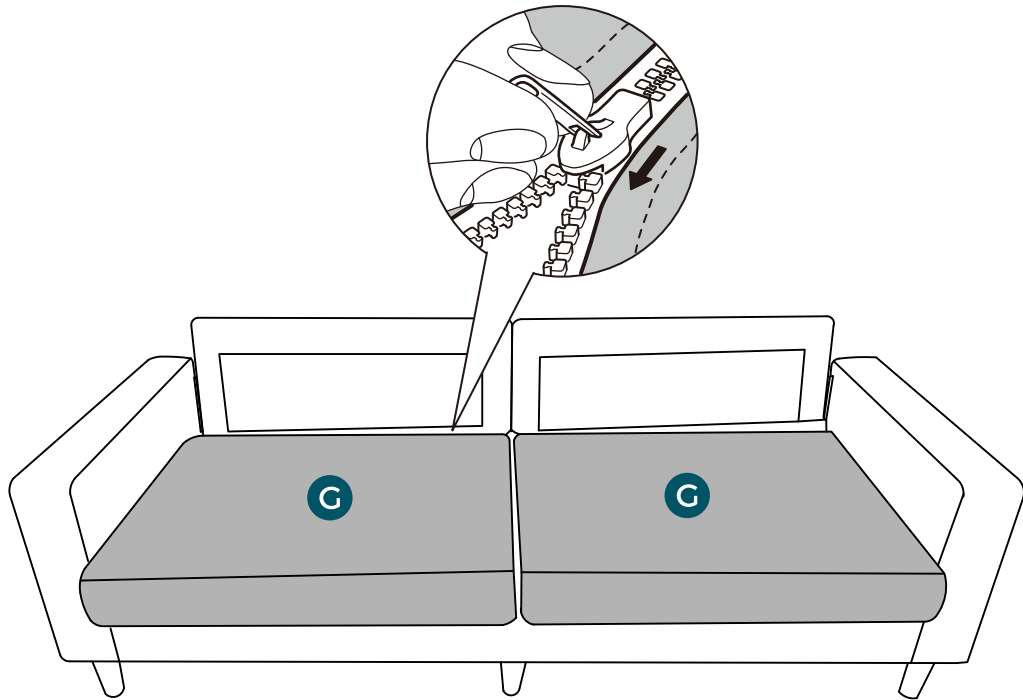


## Step 11

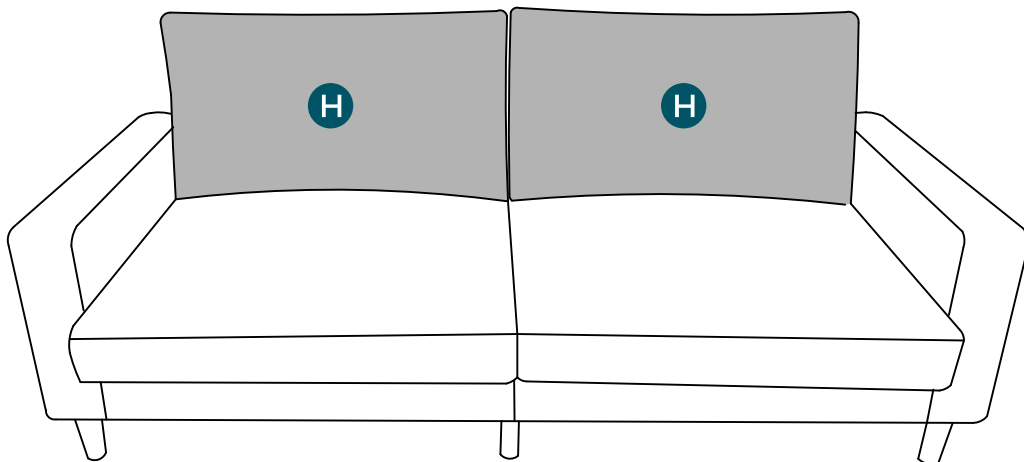


# Assembly Instructions

## Step 12

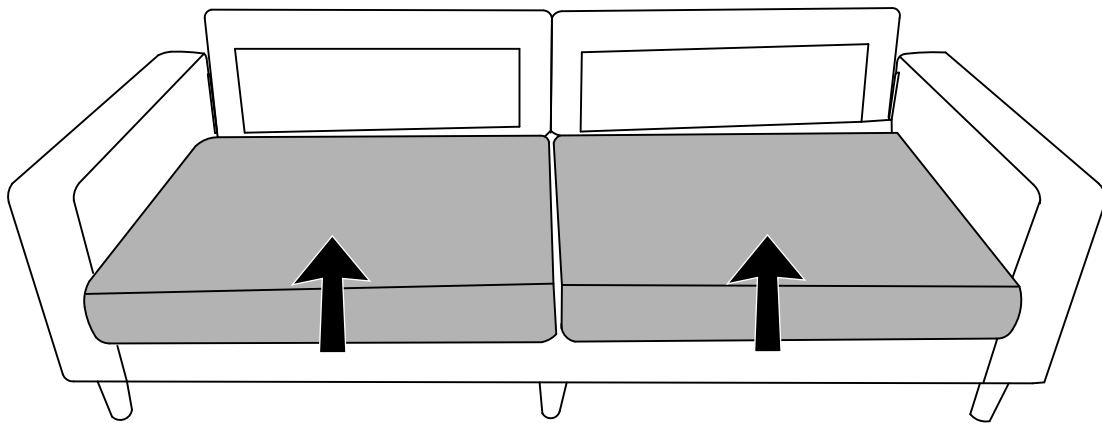


## Step 13



# Assembly Instructions

## Step 14



## Step 15

