

ROBIN

CHEST

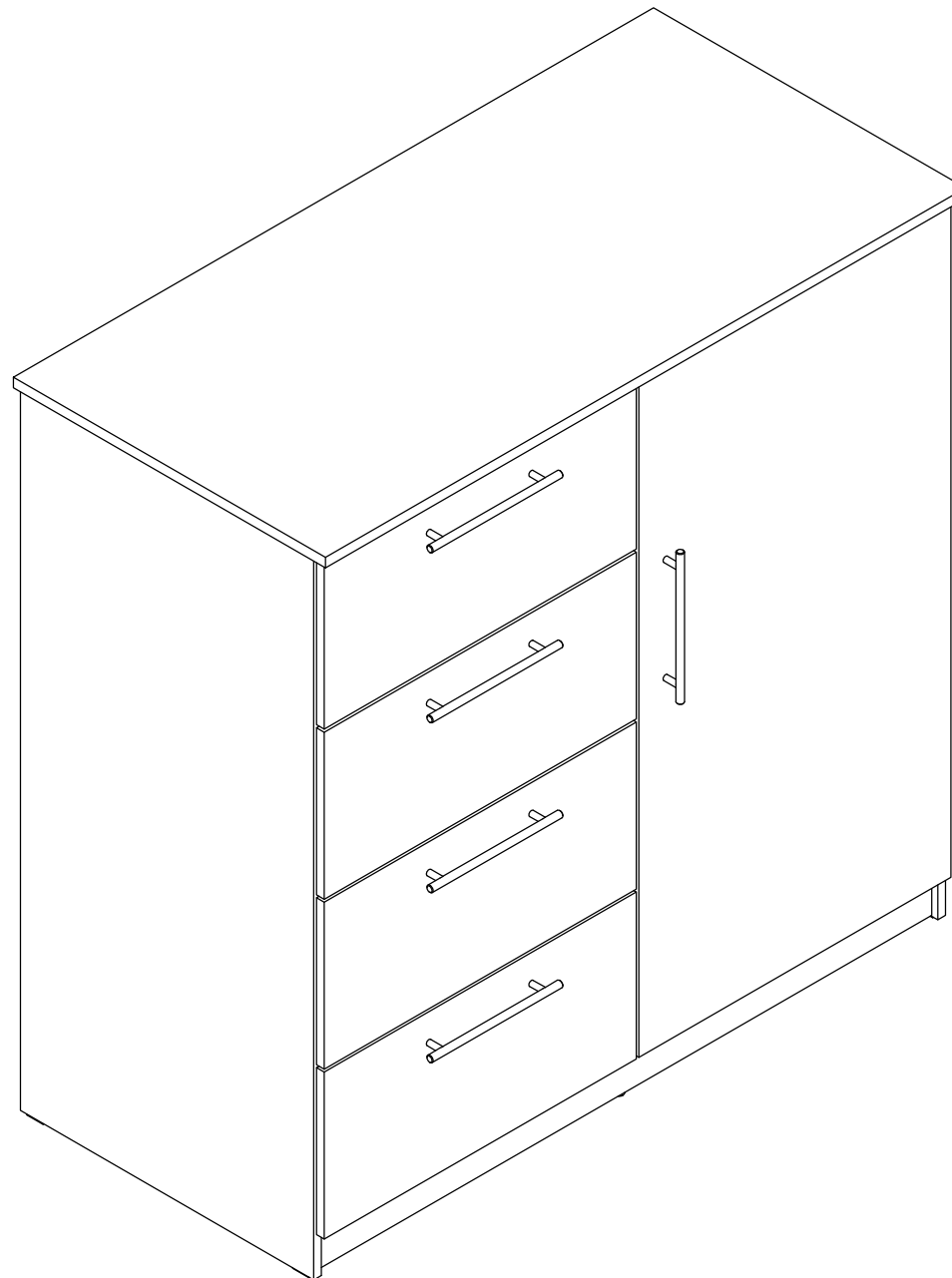
PLEASE READ

Thank you for purchasing this quality product.
A list of **PARTS** and **INSTRUCTIONS** are included to assist you.
Unpack and identify all parts included on the **PARTS LIST** and **HARDWARE LIST**.

Please retain all packaging until you are sure no parts and hardware are missing, then once you are satisfied with the product please dispose of all packaging responsibly.

If you require any additional information or help on assembly, please contact us at sales@garagetechusa.com

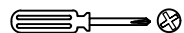
To expedite service, please indicate the model number and part number (letter code) of the part(s) needed.



60 minutes
2 Persons Assembly

Additional tools required:

Cross point screwdriver



IMPORTANT! READ CAREFULLY AND RETAIN FOR FUTURE REFERENCE

Due to small parts keep children clear during assembly.

Ensure all fittings are fully tightened before use and checked regularly and re-tightened as necessary.

When positioning your furniture ensure the ground is firm, level and dry.

Do not position your furniture in direct sunlight or close to a source of heat.

Take care when handling or moving furniture, always lift with assistance to avoid damaging your product.

WARNING!

Serious or fatal crushing injuries can occur from furniture tipping over.

To help prevent this please observe the following:

Do not let children climb or hang on the drawers, doors or shelves.

Place heaviest items in the lower drawers or shelves.

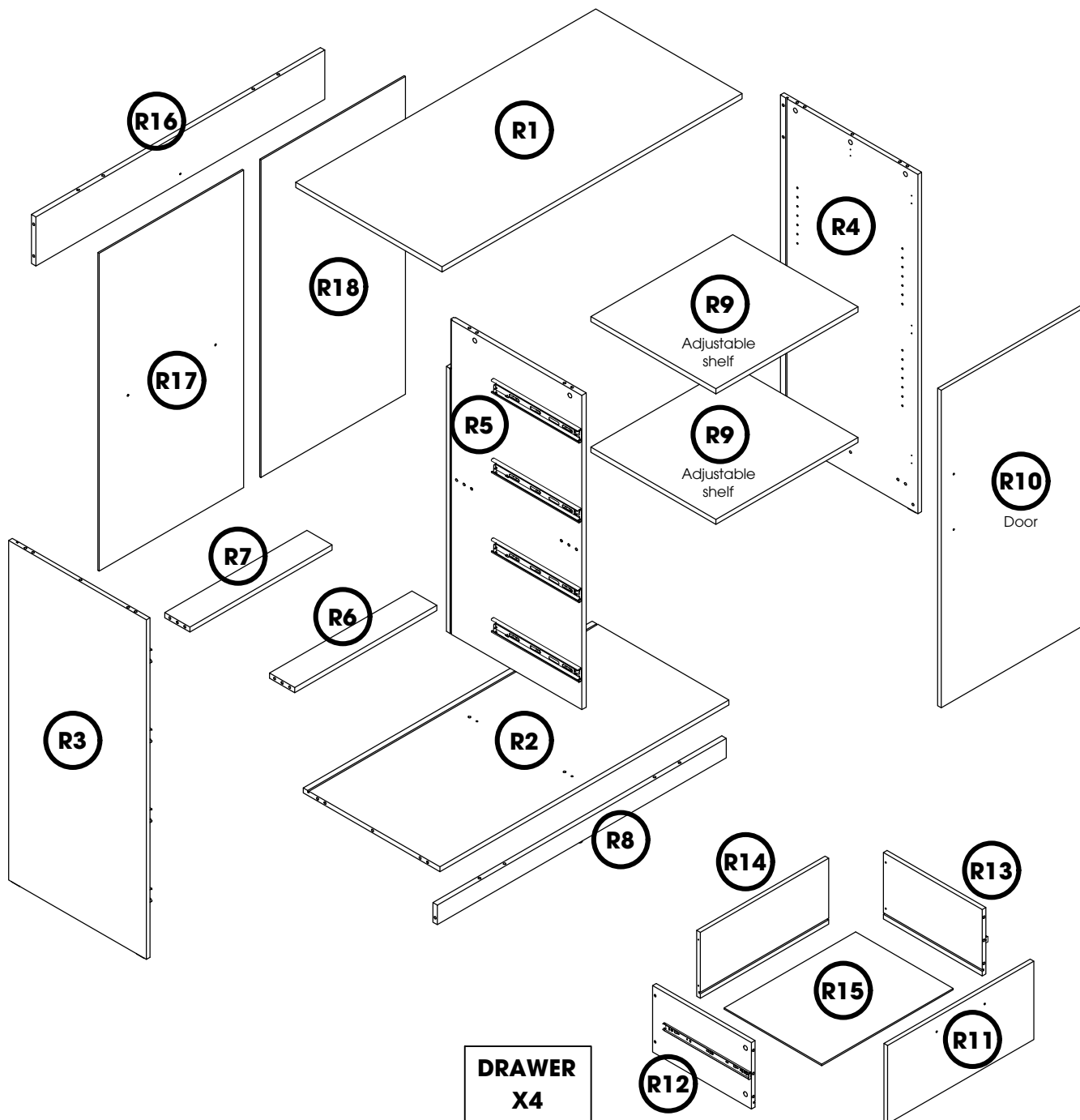
Do not place heavy objects on top of this product unless it has been specifically designed to support them.

Never open more than one drawer at a time.

If you require any additional information or help on assembly, please contact us at sales@garagetechusa.com

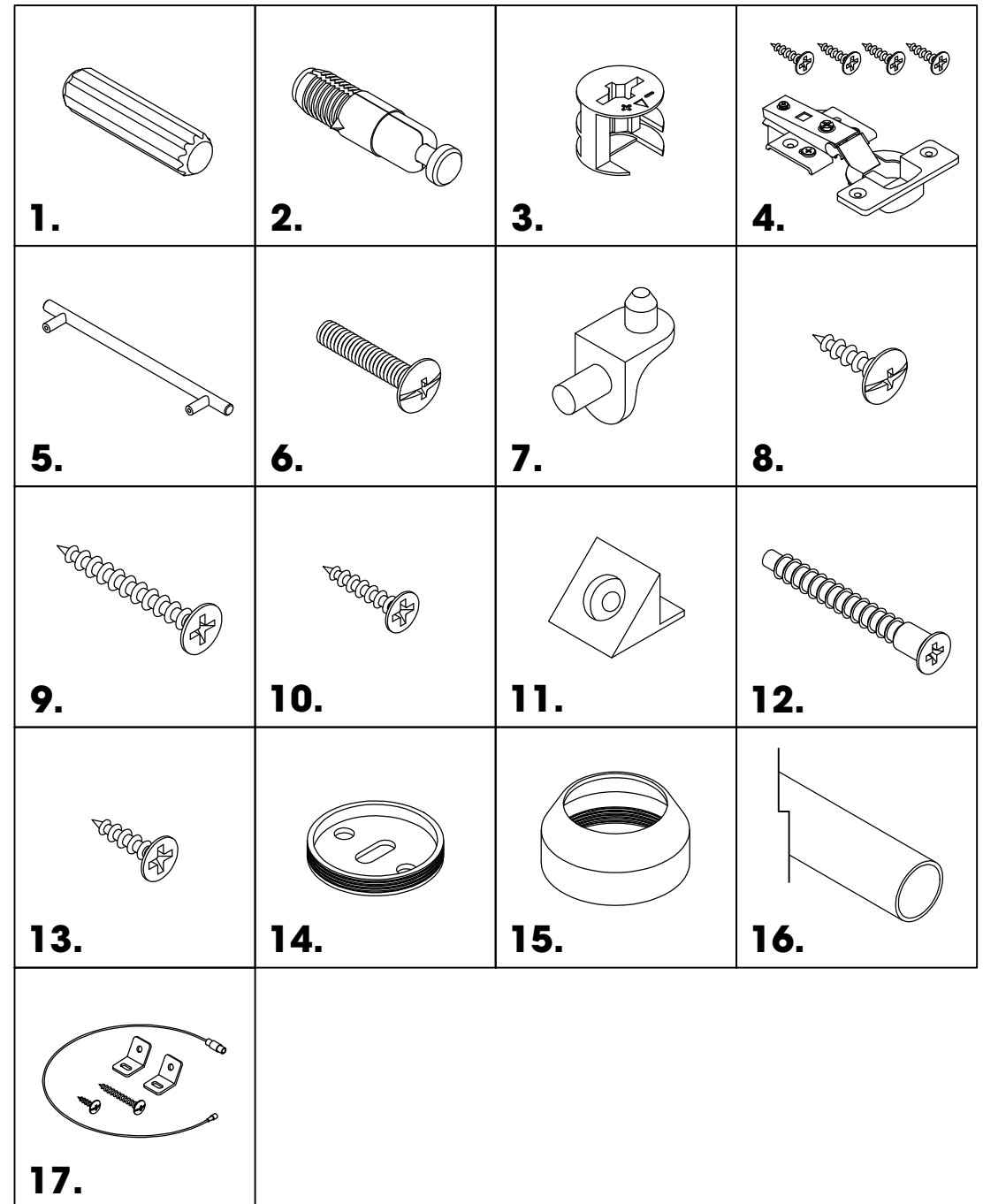
PARTS LIST

- R1.** Top 1pc
- R2.** Bottom 1pc
- R3.** Left side 1pc
- R4.** Right side 1pc
- R5.** Center panel 1pc
- R6.** Front rail 1pc
- R7.** Back rail 1pc
- R8.** Front stretcher 1pc
- R9.** Adjustable shelf 2pcs
- R10.** Door 1pc
- R11.** Drawer front 4pcs
- R12.** Drawer left side 4pcs
- R13.** Drawer right side 4pcs
- R14.** Drawer back 4pcs
- R15.** Drawer bottom 4pcs
- R16.** Back stretcher 1pc
- R17.** Back panel (left) 1pc
- R18.** Back panel (right) 1pc



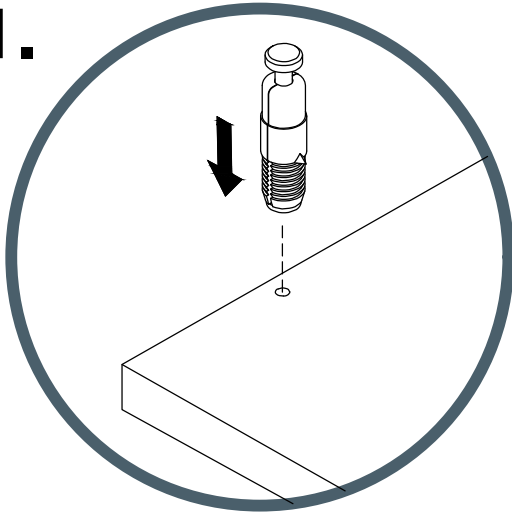
HARDWARE LIST

- | | | |
|------------|---------------------------------|-------|
| 1. | Wood dowel 8 x 30 | 34pcs |
| 2. | Spreading bolt | 42pcs |
| 3. | Housing 15T | 42pcs |
| 4. | Hinge | 3set |
| 5. | Handle | 5pcs |
| 6. | Handle screw M4 x 20 | 10pcs |
| 7. | Shelf Support | 8pcs |
| 8. | Pan head screw M3 x 16 | 2pcs |
| 9. | Flat head screw M4 x 30 | 16pcs |
| 10. | Flat head screw M2.7 x 16 | 22pcs |
| 11. | Plastic support | 22pcs |
| 12. | Confirmat screw M5 x 40 | 3pcs |
| 13. | Flat head screw M3.5 x 15 | 4pcs |
| 14. | Hanger holder A | 2pcs |
| 15. | Hanger holder B | 2pcs |
| 16. | Hanger | 1pc |
| 17. | Anti-Tip Restraint | 1set |

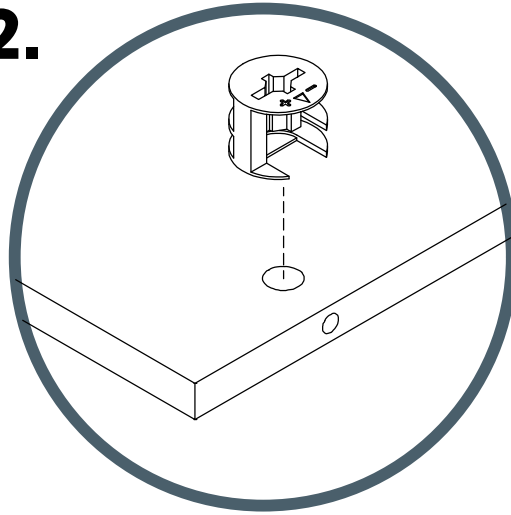


How to use the **SPREADING BOLT** and **HOUSING**

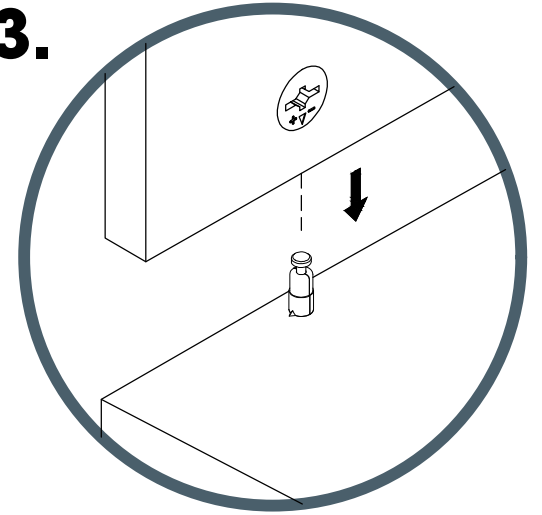
1.



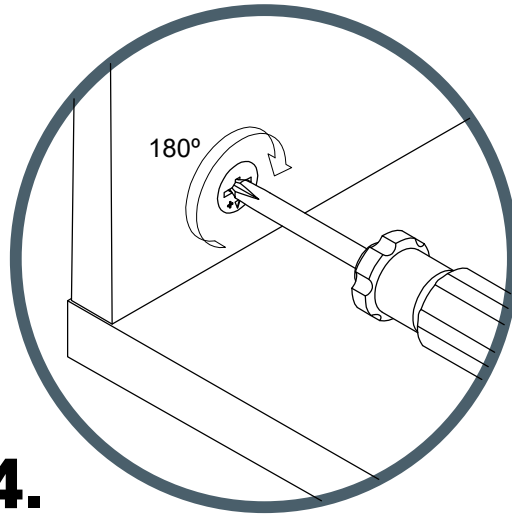
2.



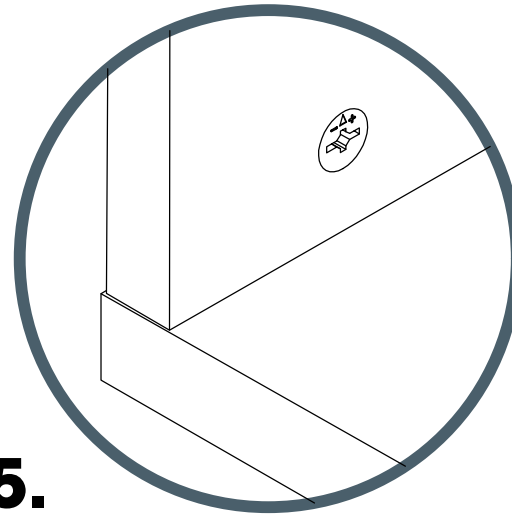
3.



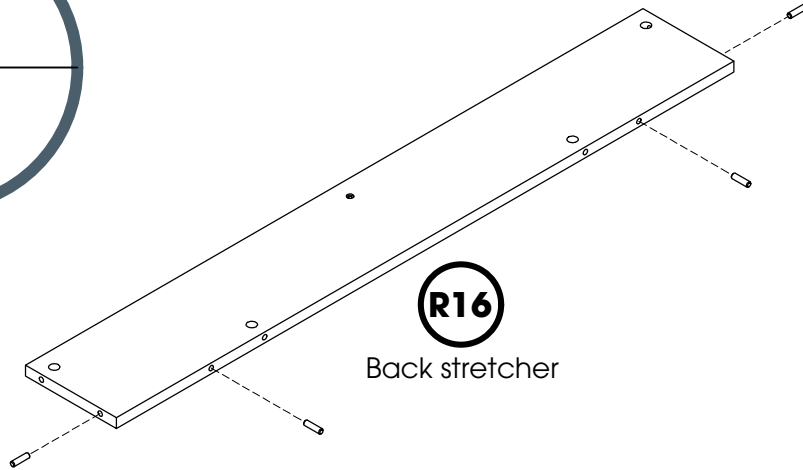
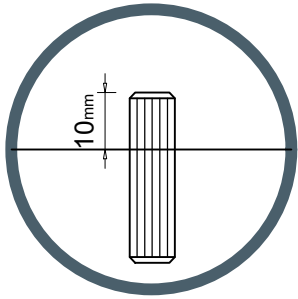
4.



5.

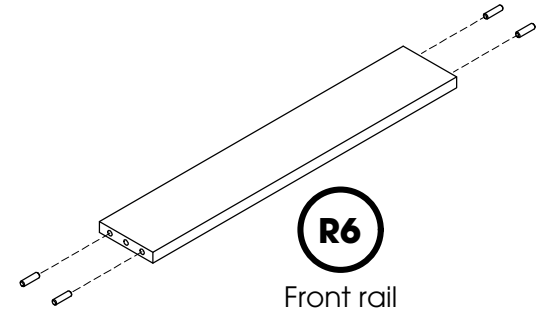


STEP 1



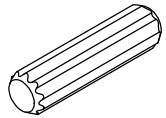
R16

Back stretcher

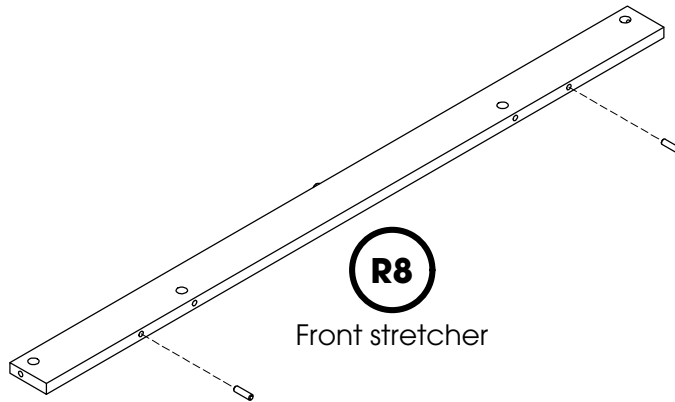


R6

Front rail

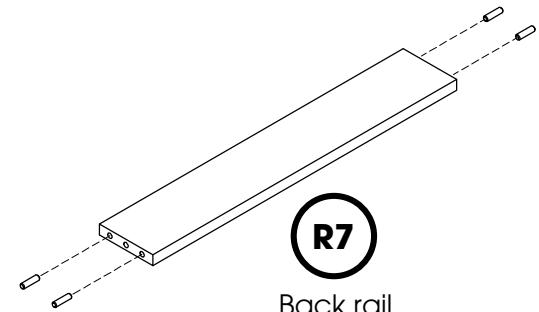


1 Wood dowel
8 x 30



R8

Front stretcher

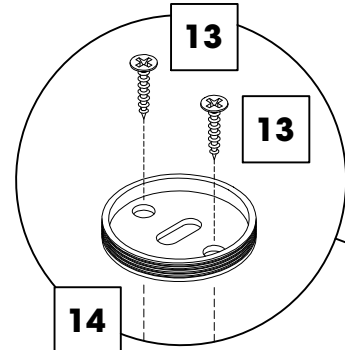


R7

Back rail

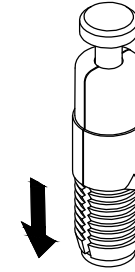
STEP 2

Flat head screw



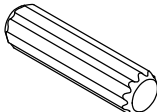
Hanger holder A

2 Spreading bolt

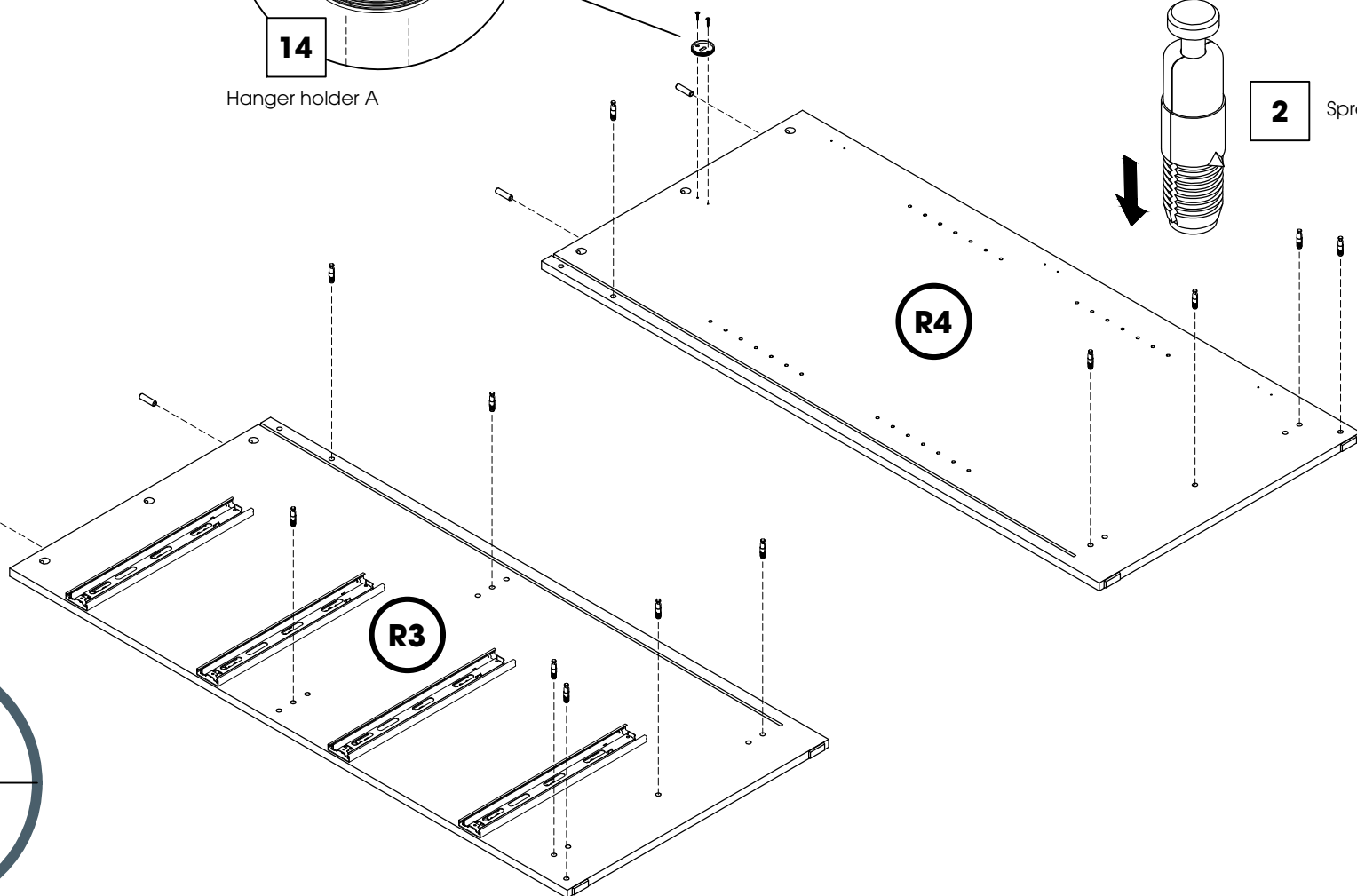
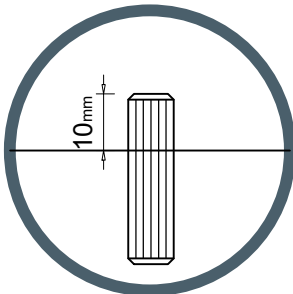


R4

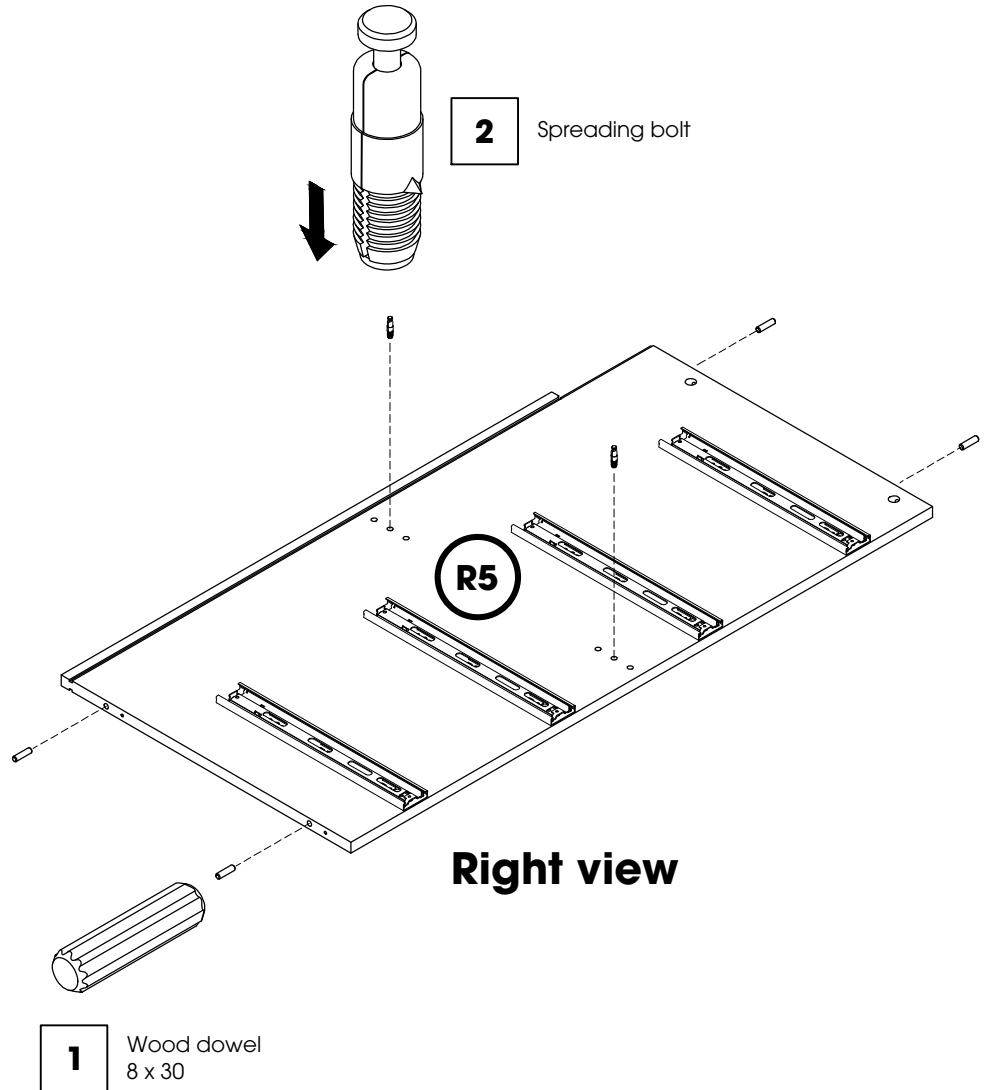
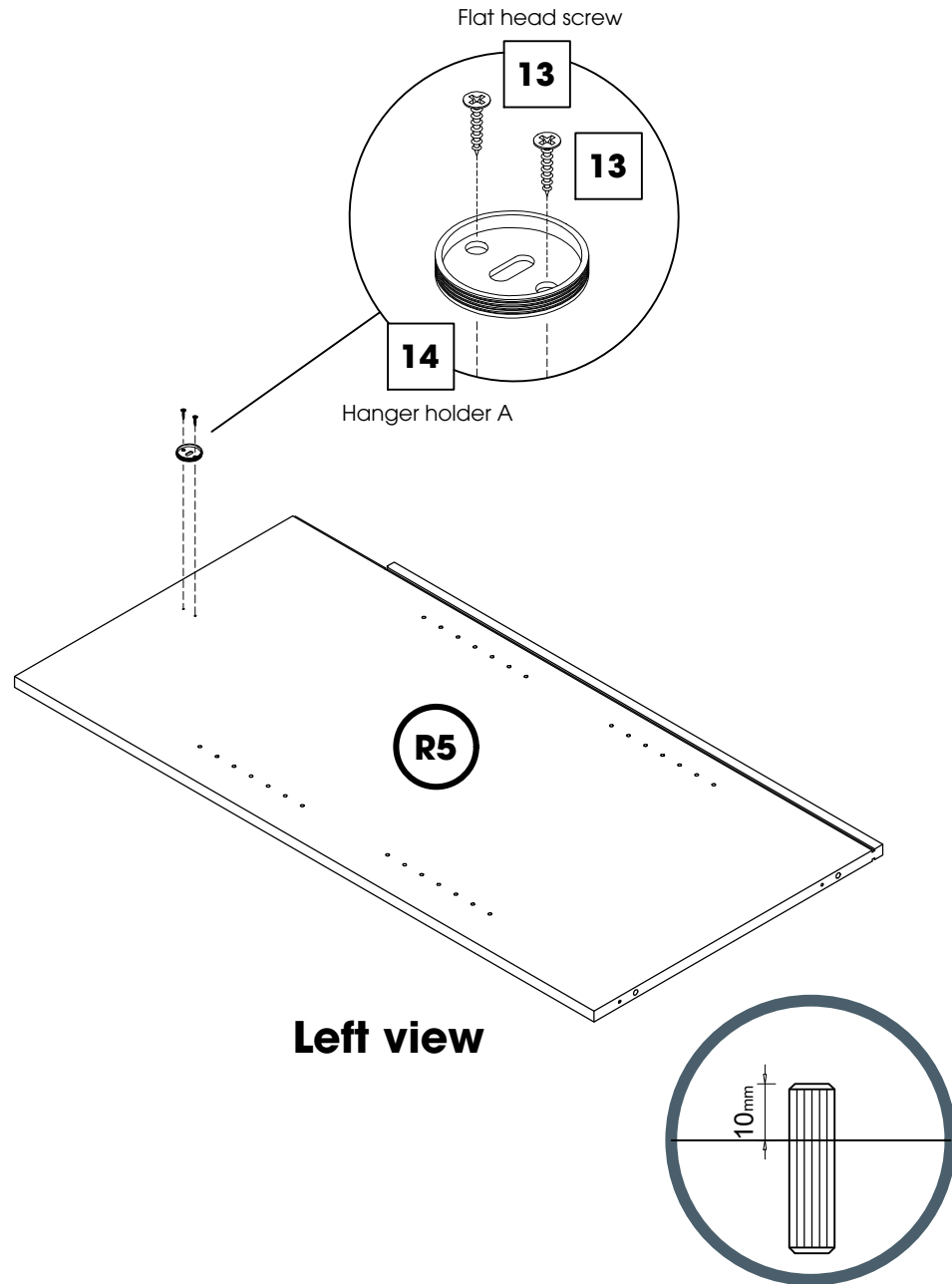
1 Wood dowel
8 x 30



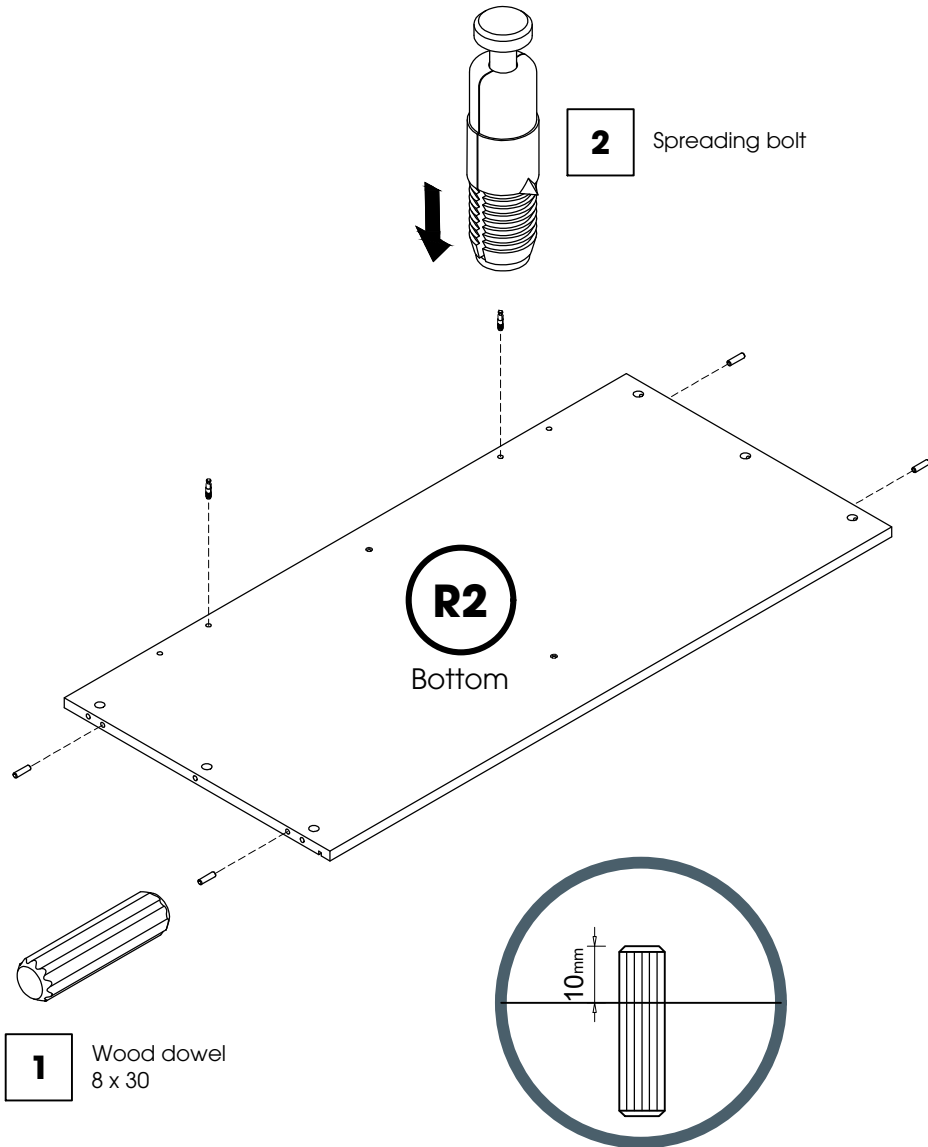
R3



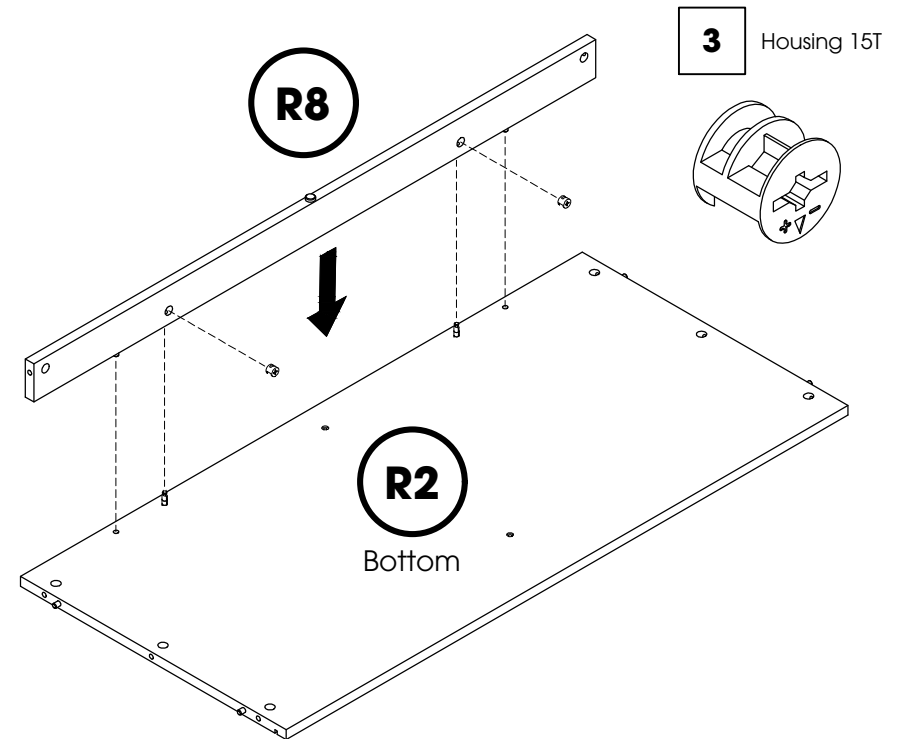
STEP 3



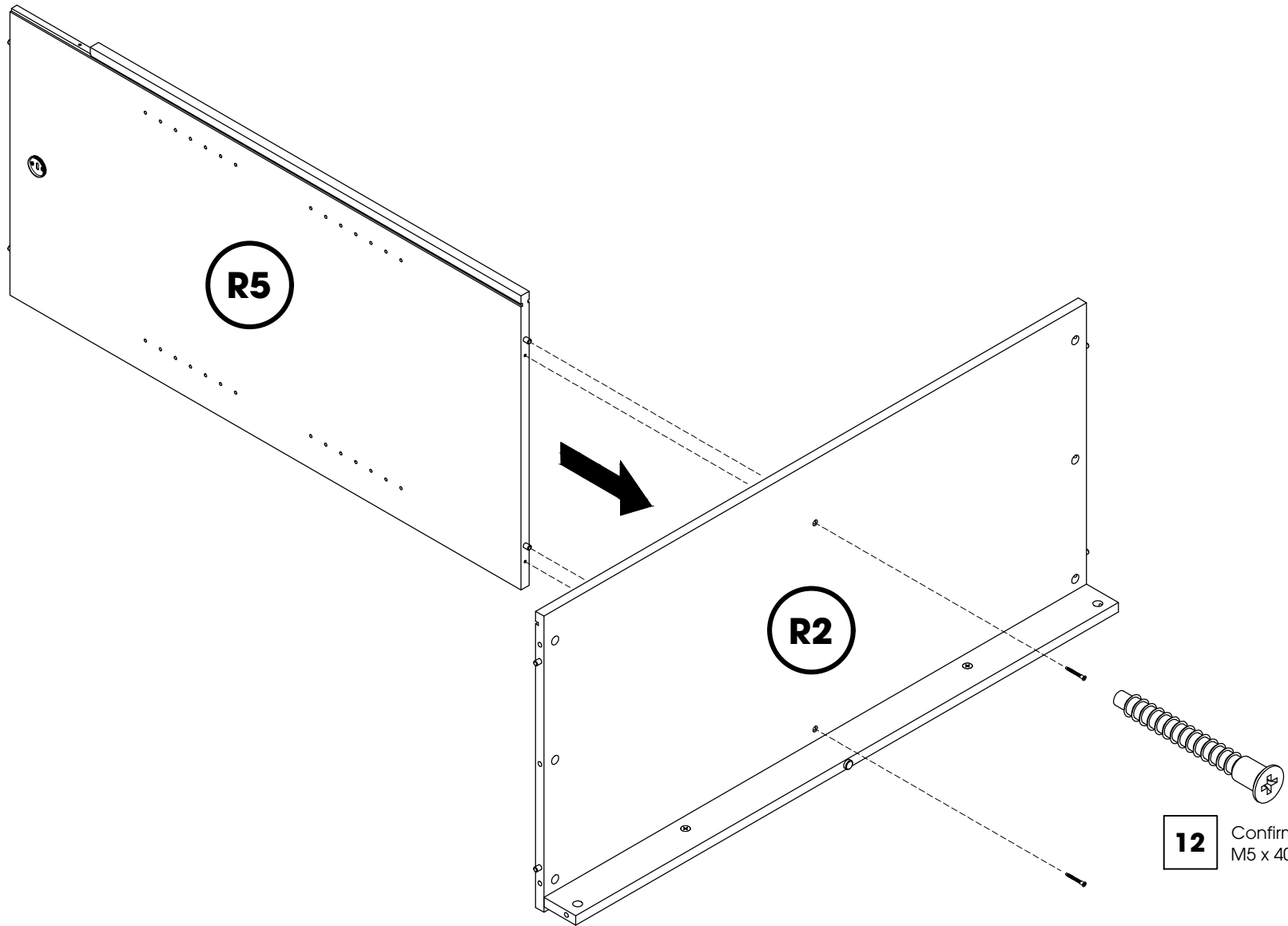
STEP 4



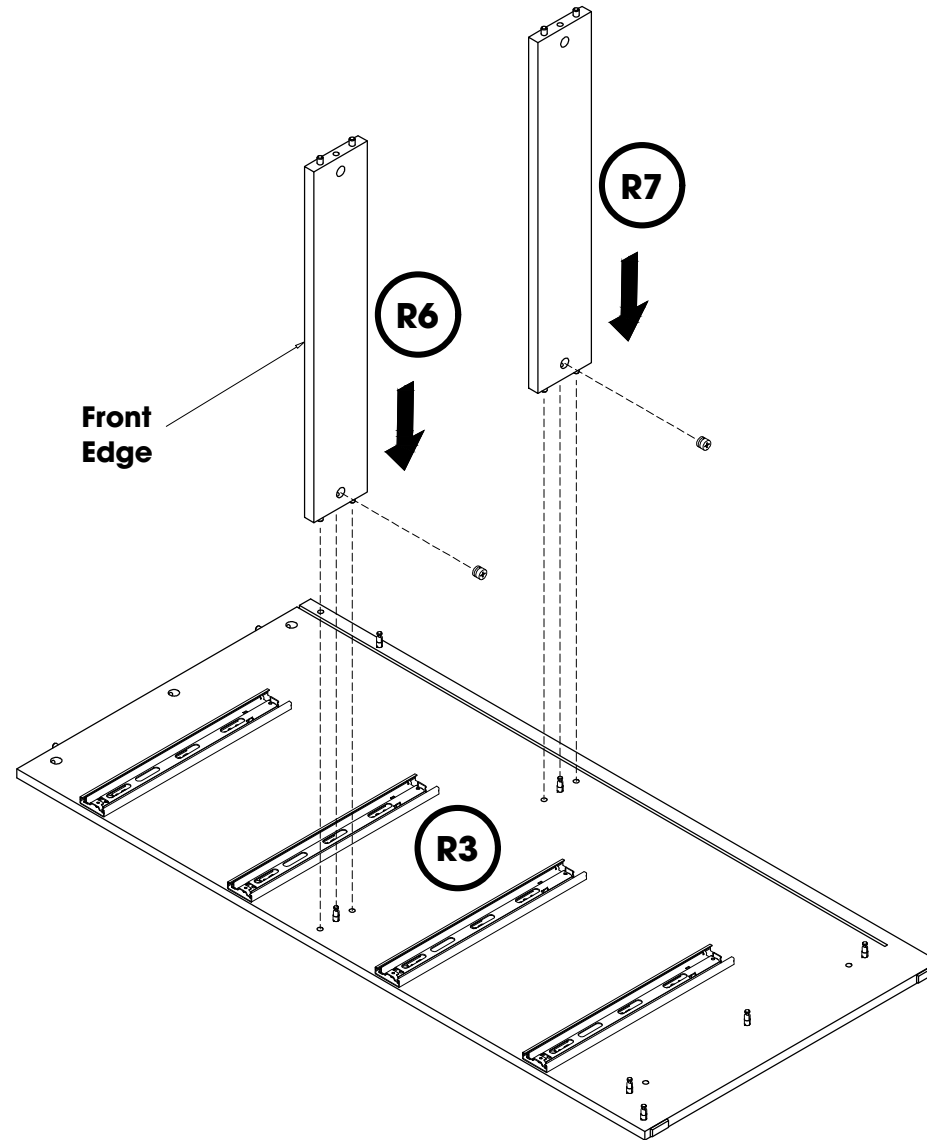
STEP 5



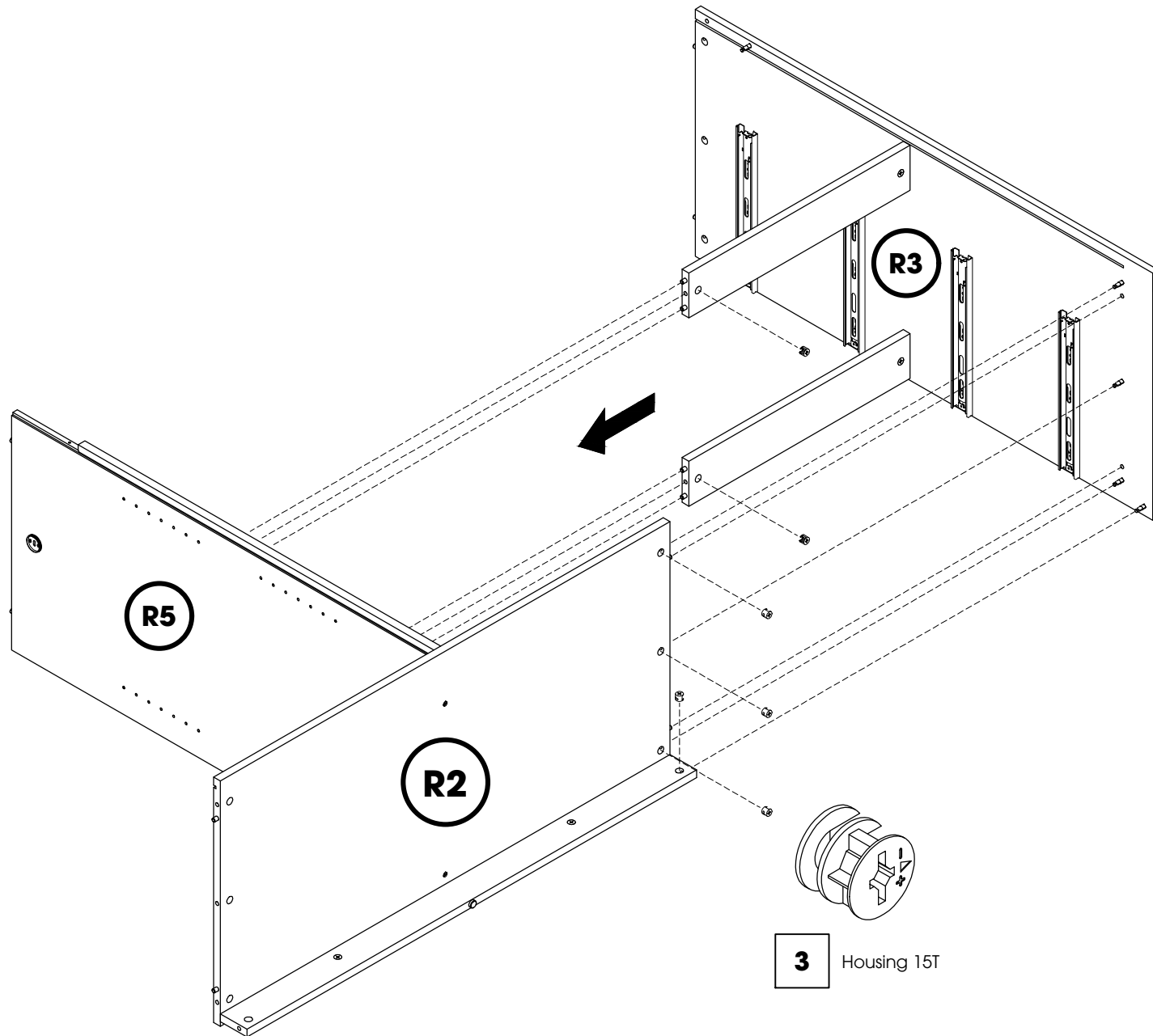
STEP 6



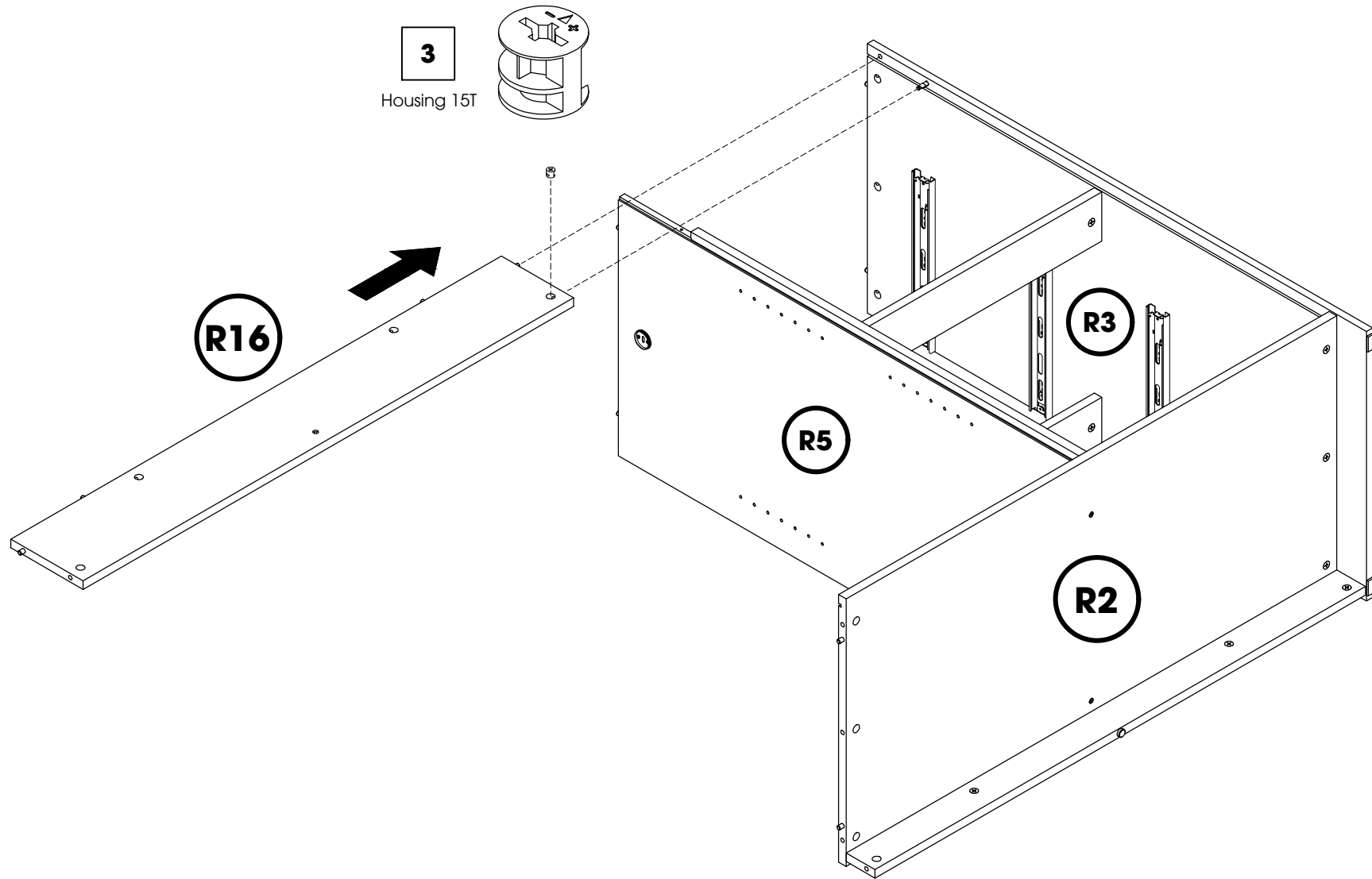
STEP 7



STEP 8



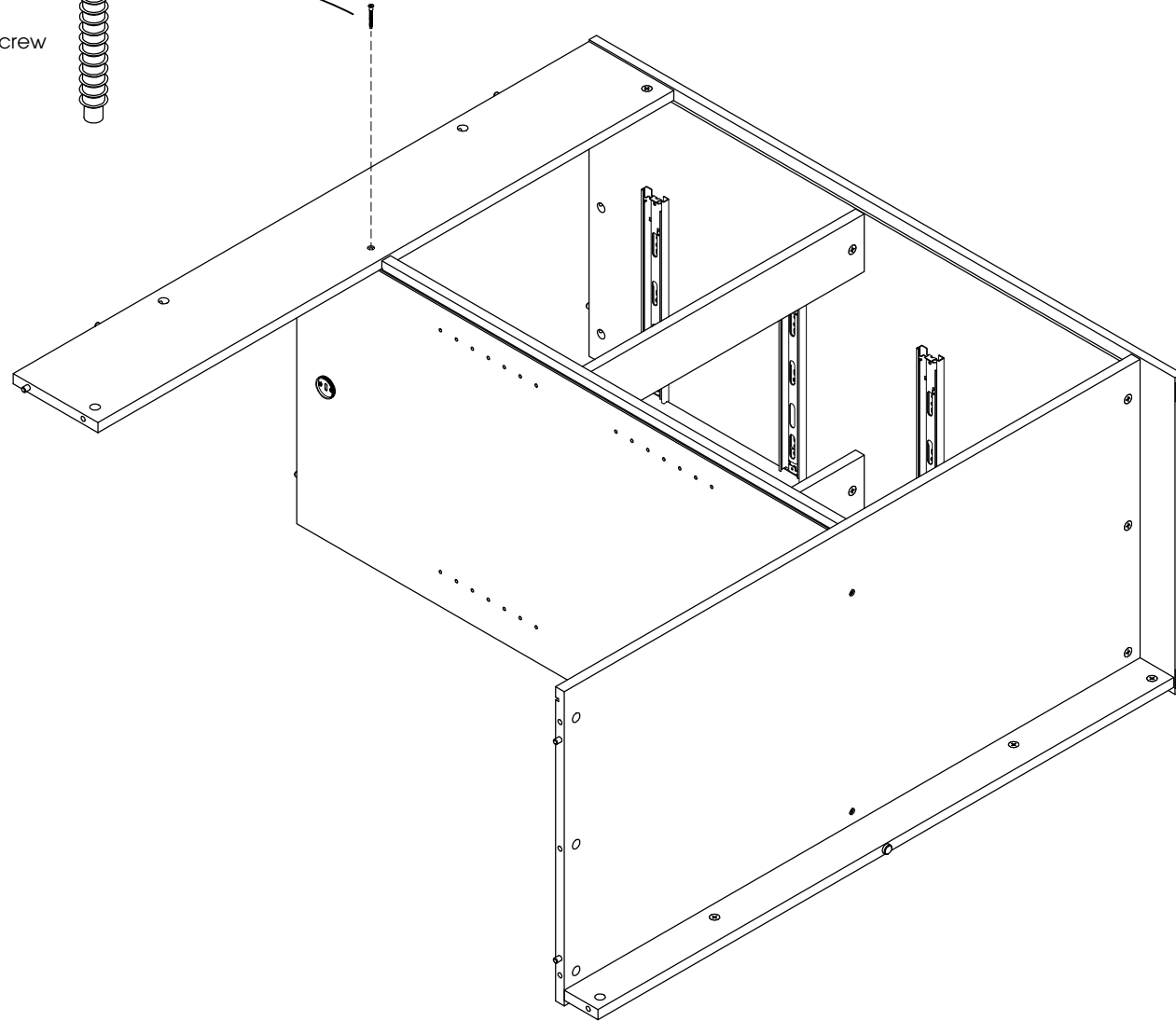
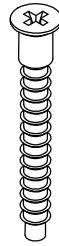
STEP 9



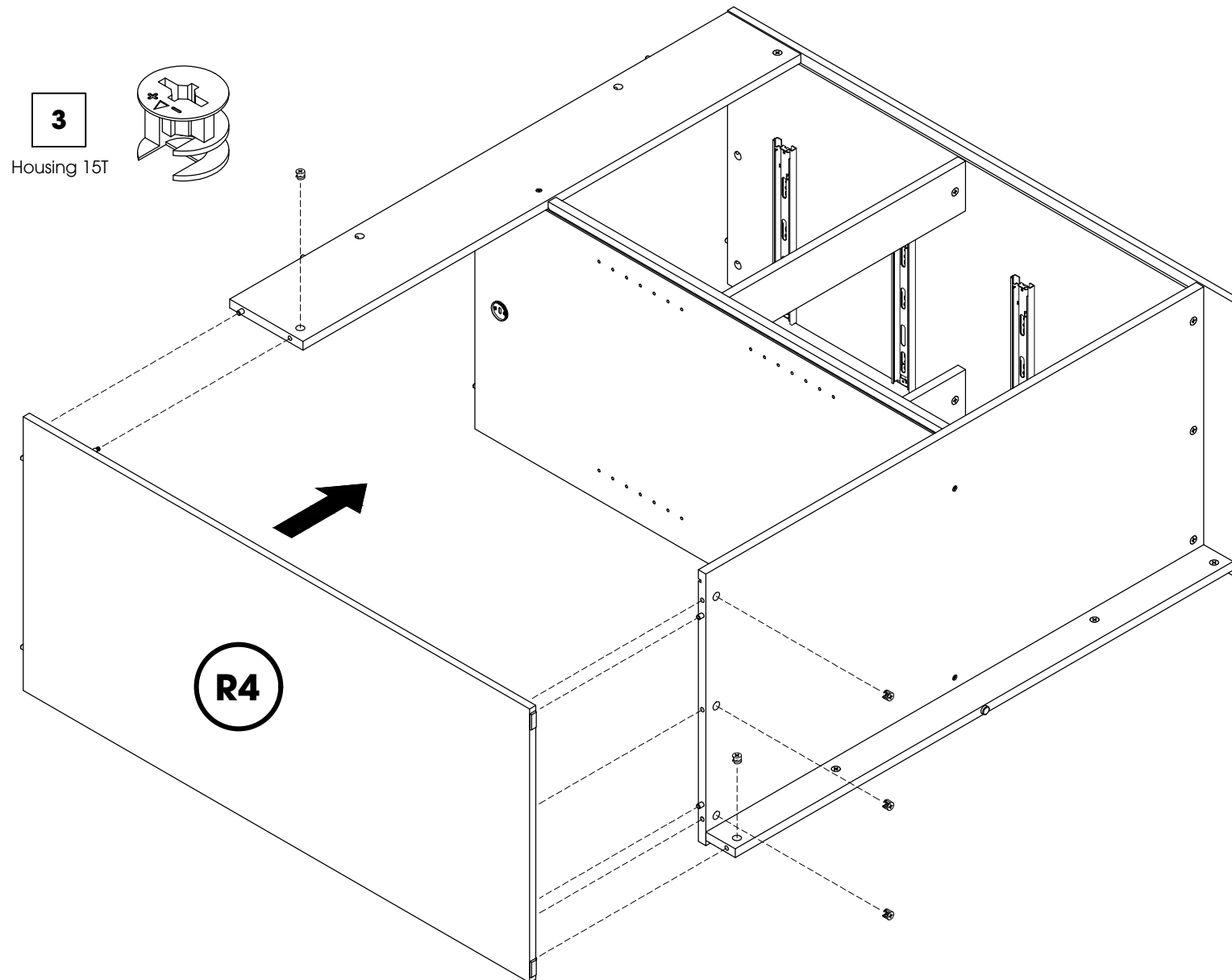
STEP 10

12

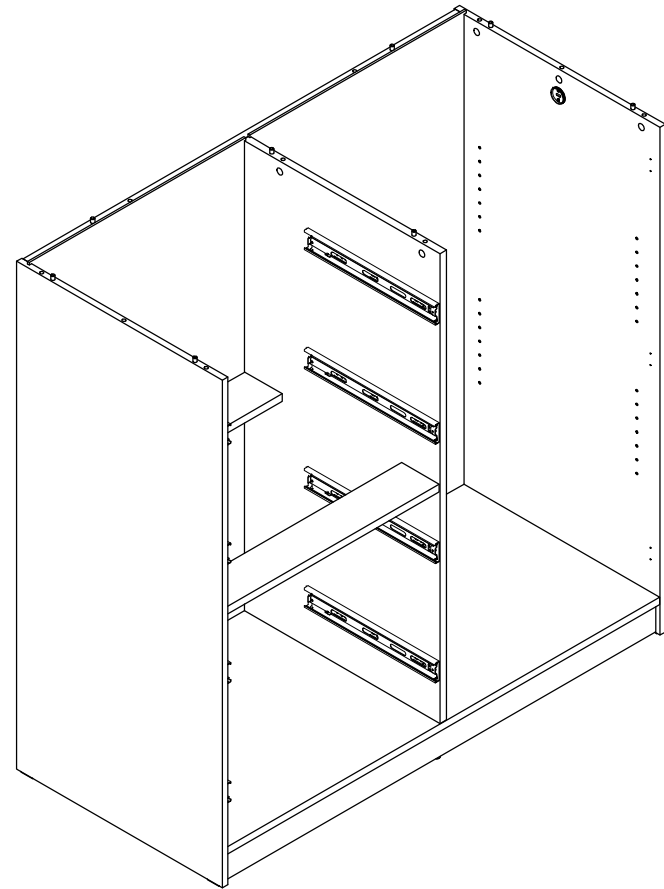
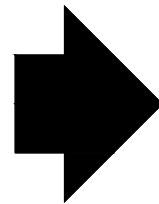
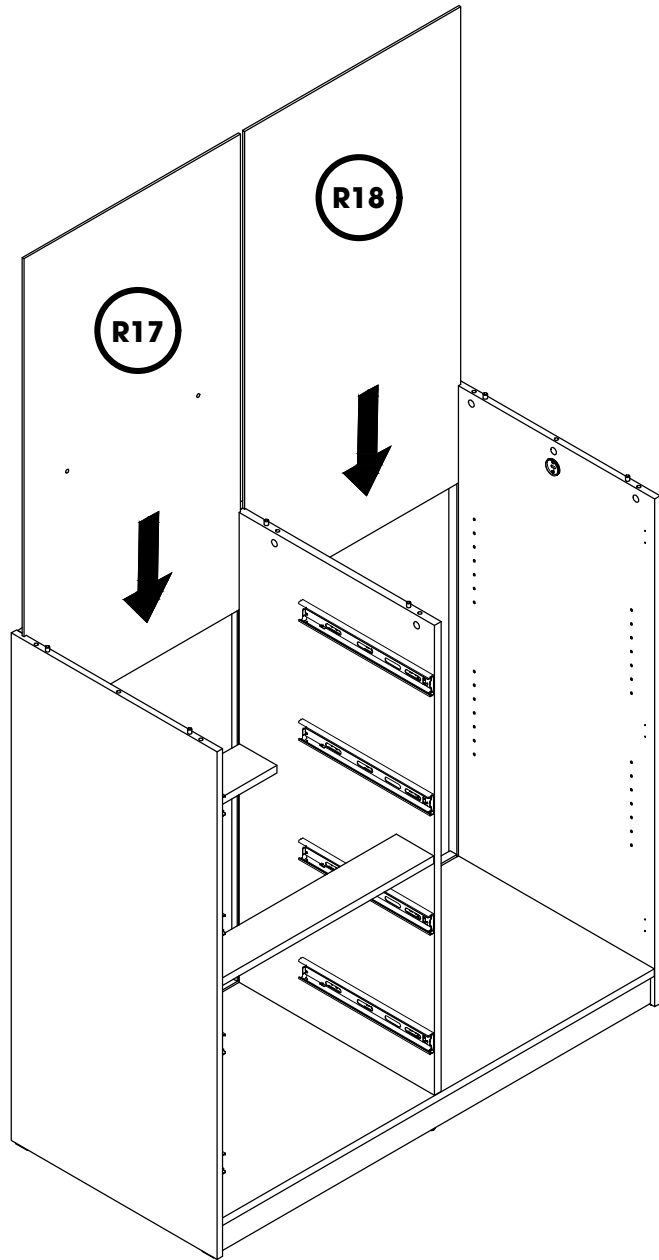
Confirmat screw
M5 x 40



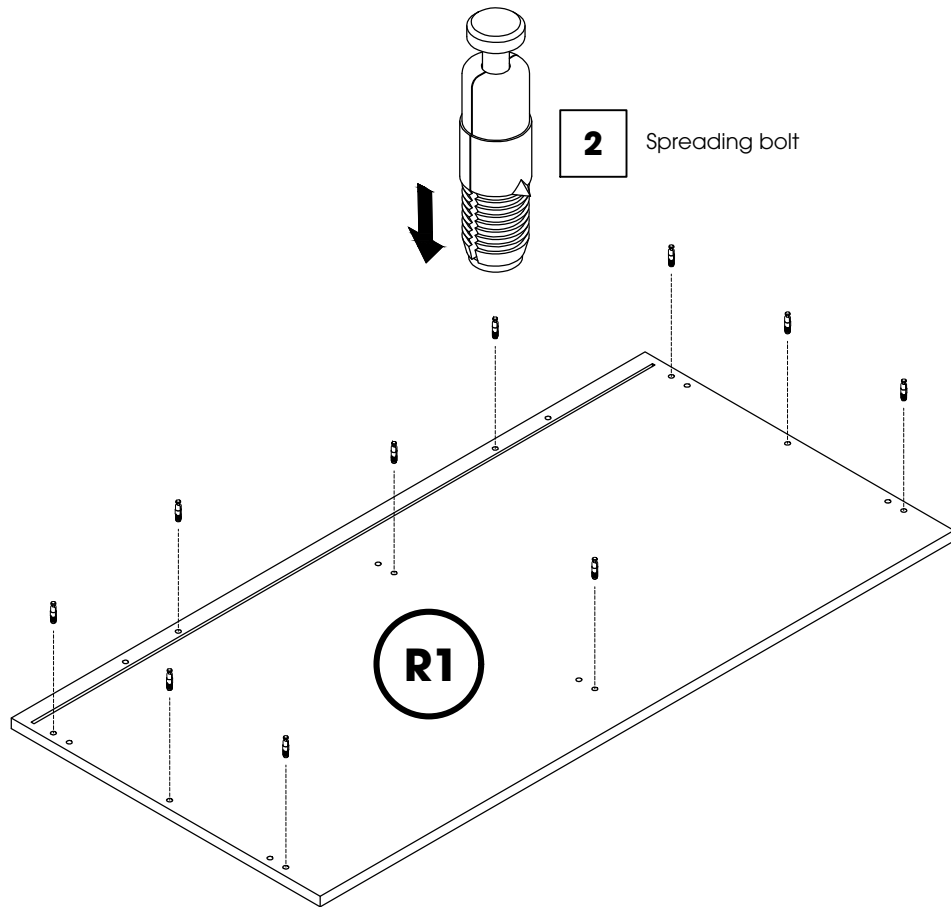
STEP 11



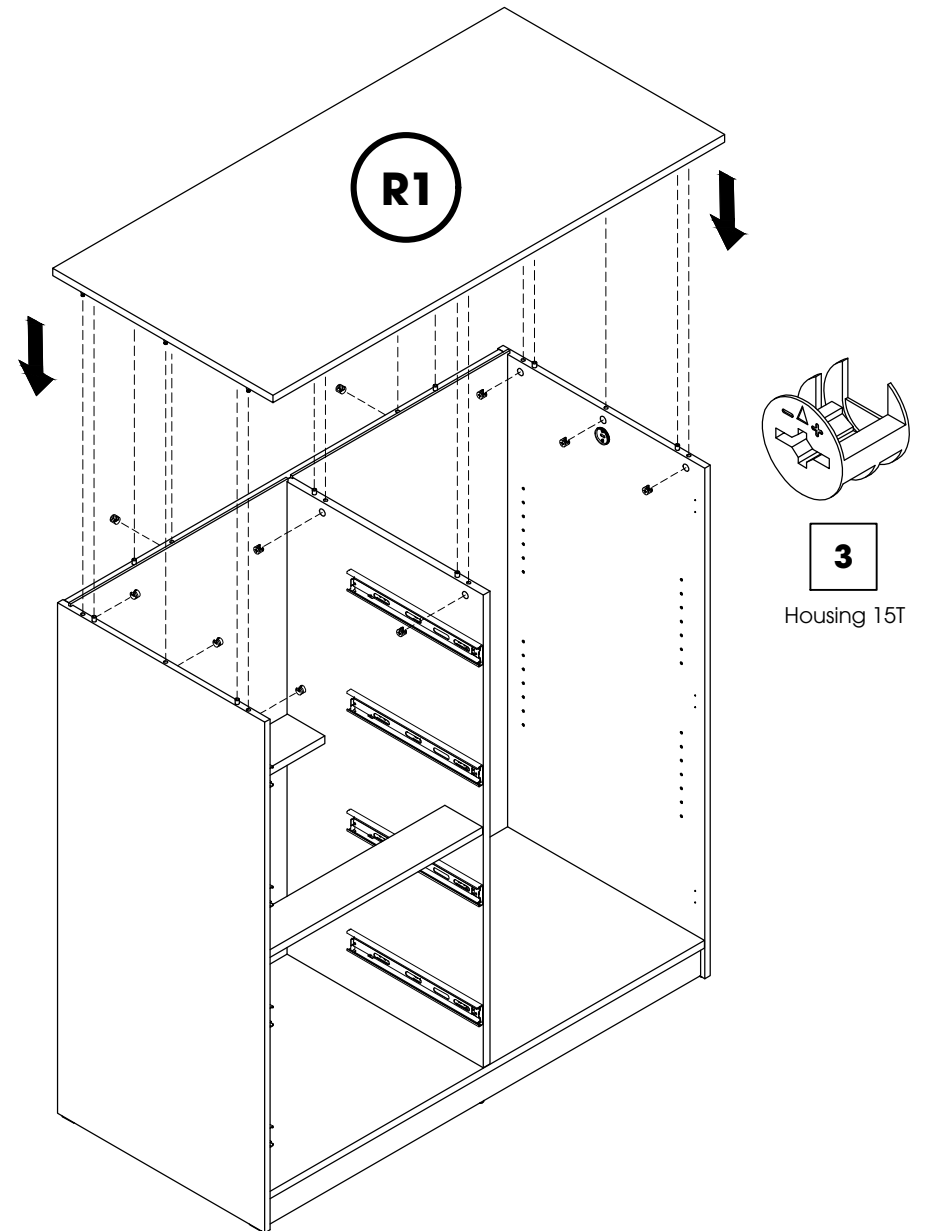
STEP 12



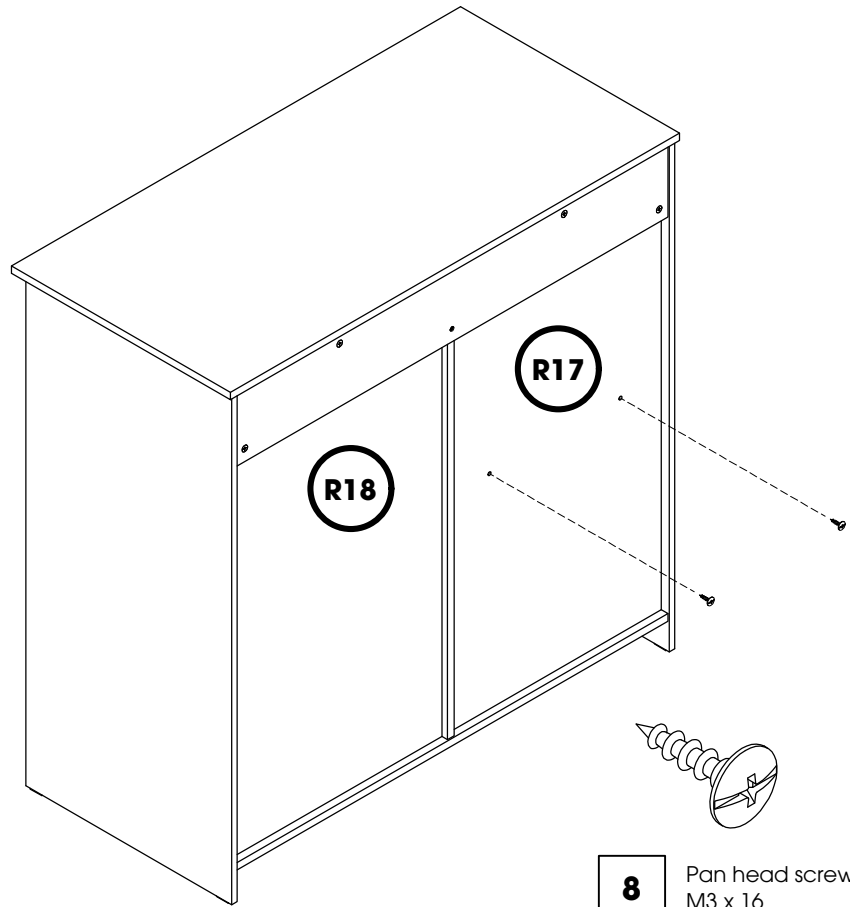
STEP 13



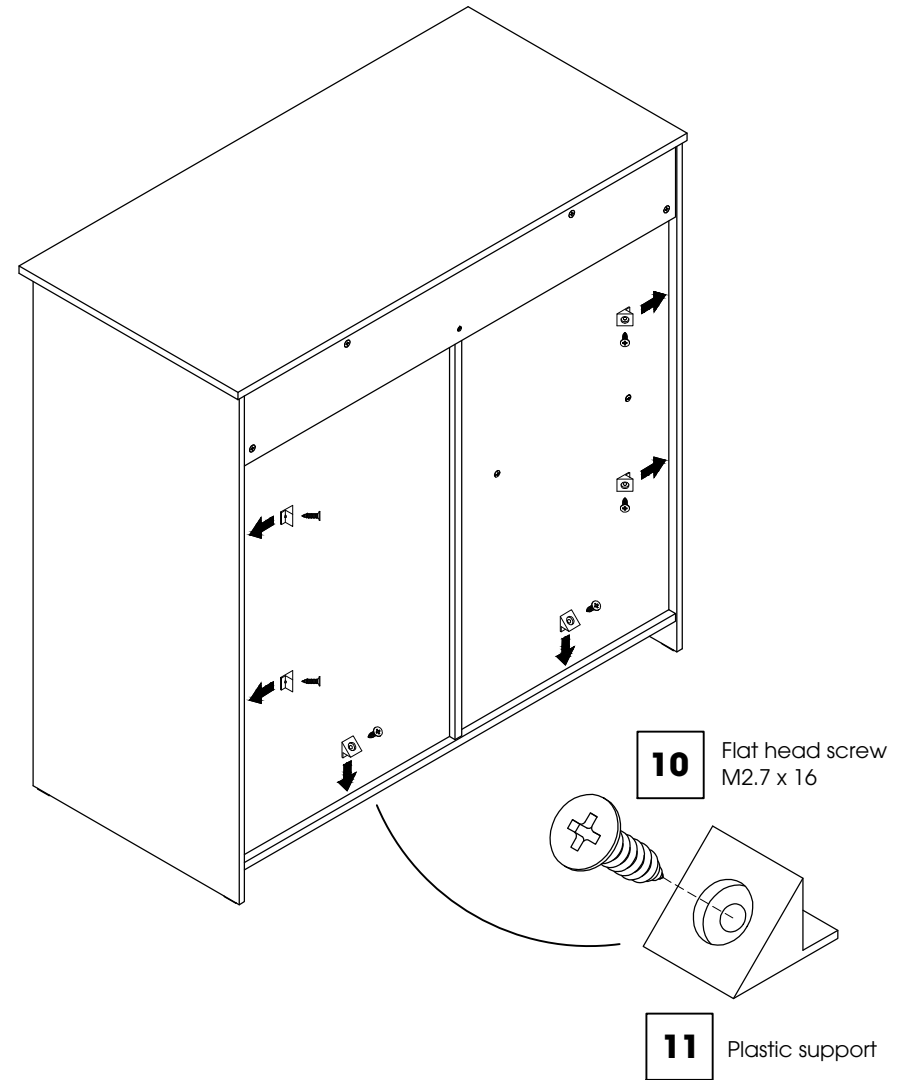
STEP 14



STEP 15

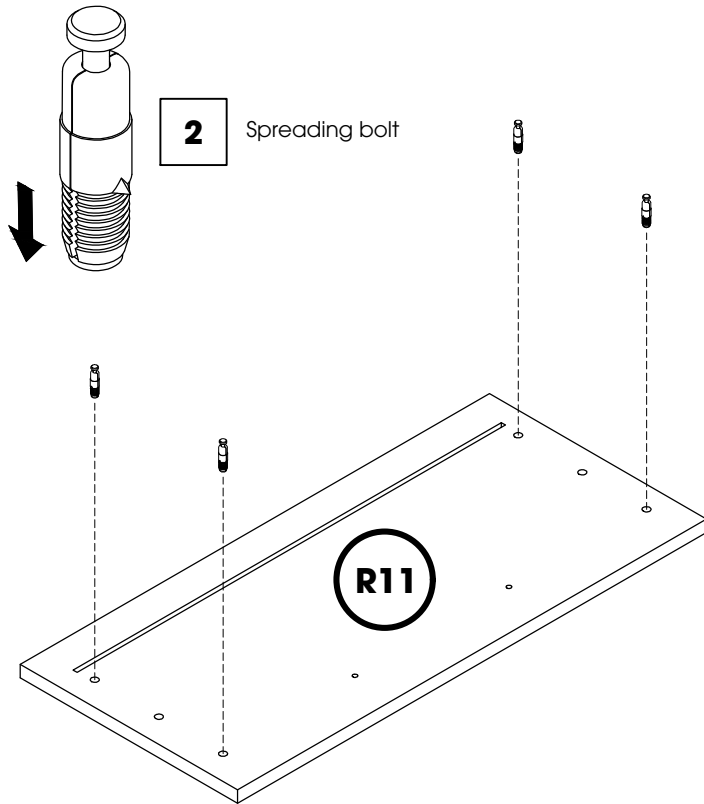


STEP 16

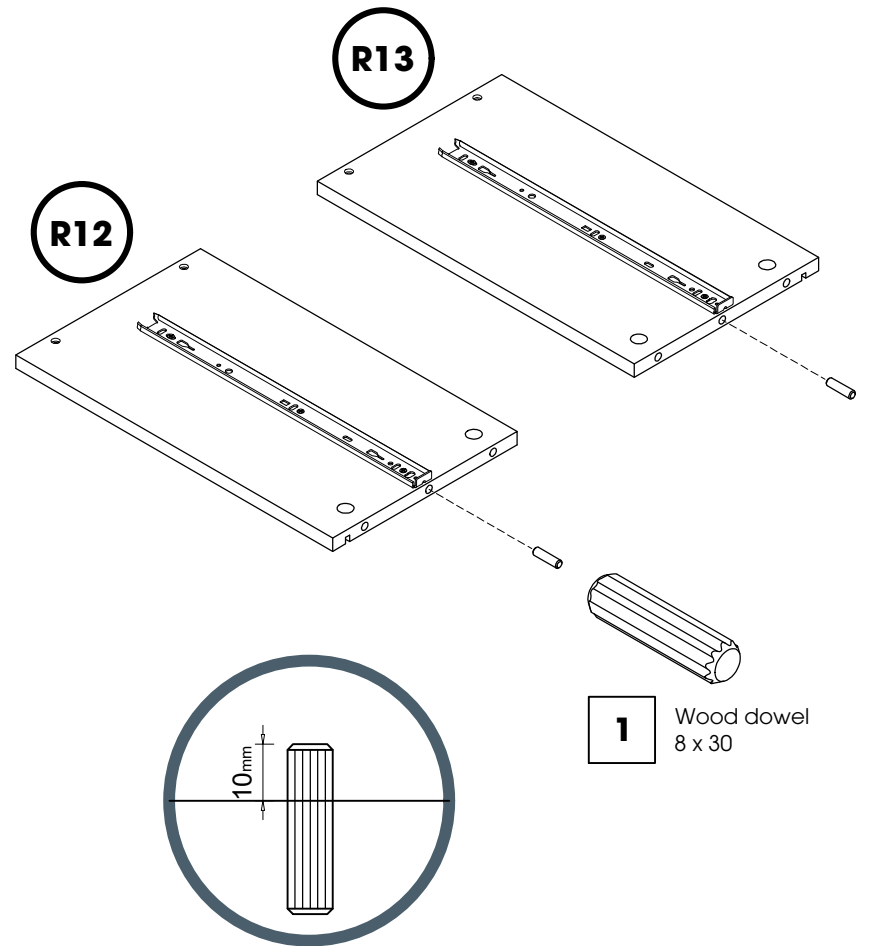


**DRAWER
X4**

STEP 17

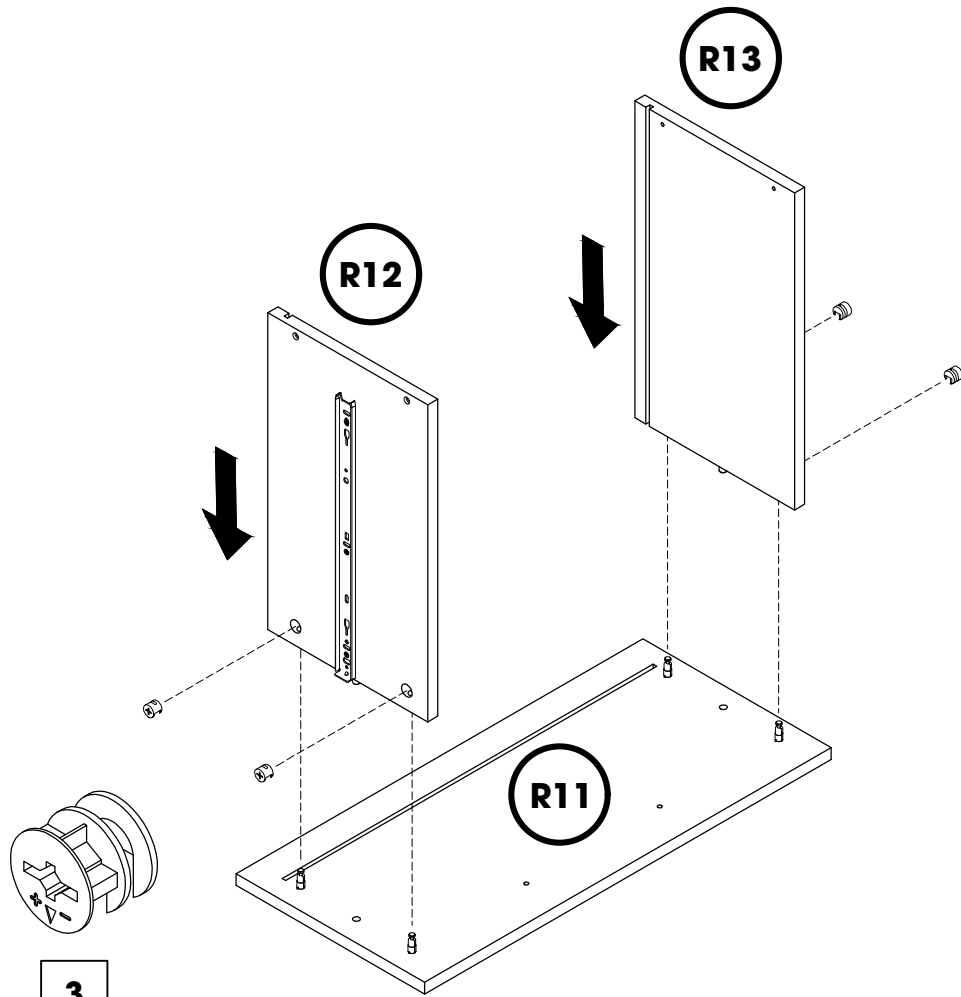


STEP 18

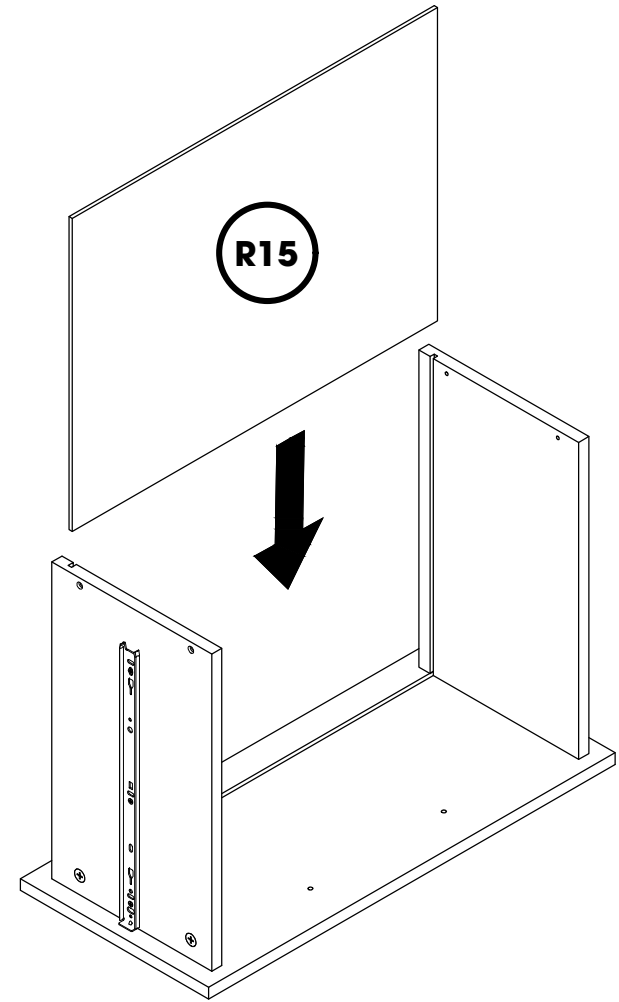


**DRAWER
X4**

STEP 19



STEP 20

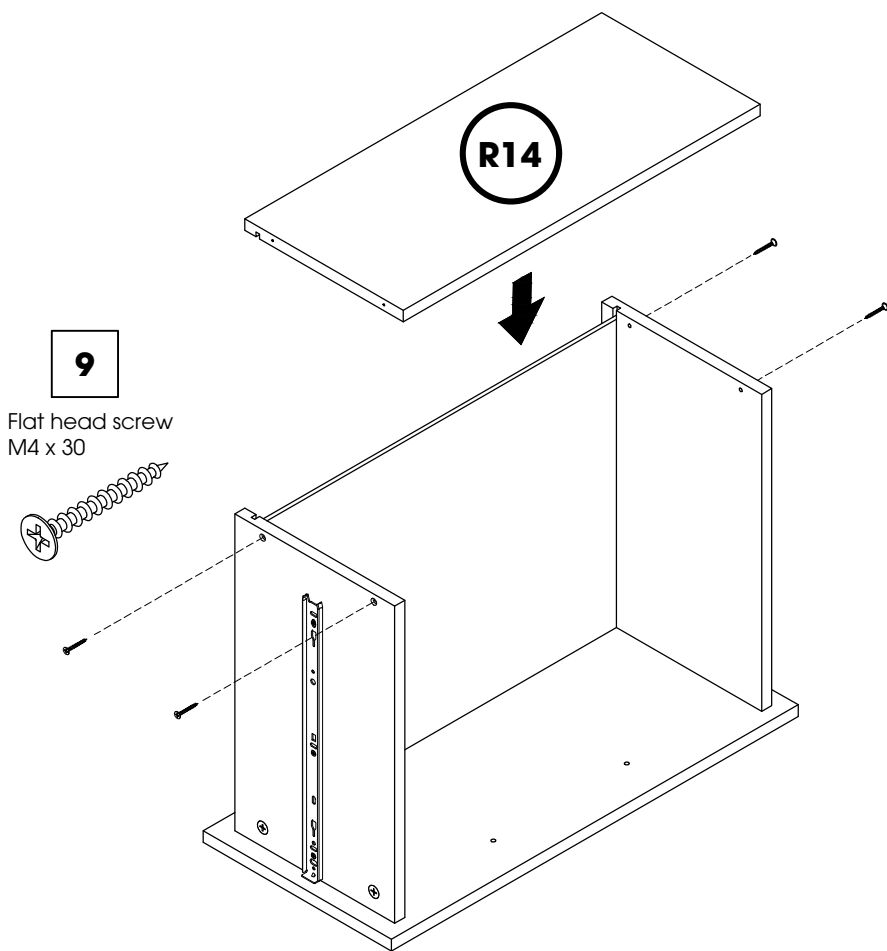


3

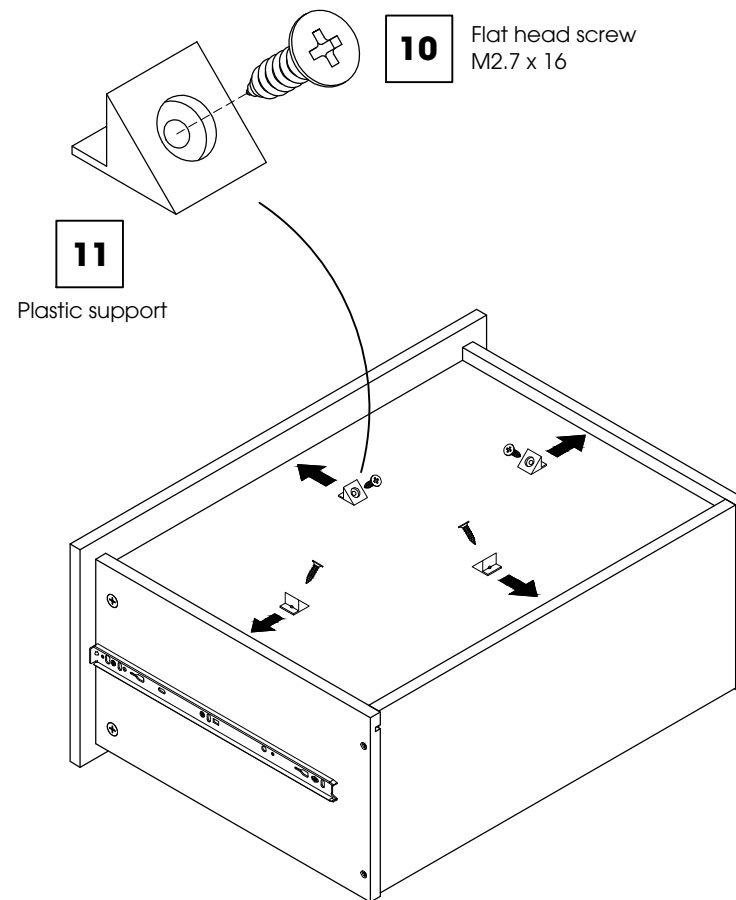
Housing 15T

**DRAWER
X4**

STEP 21

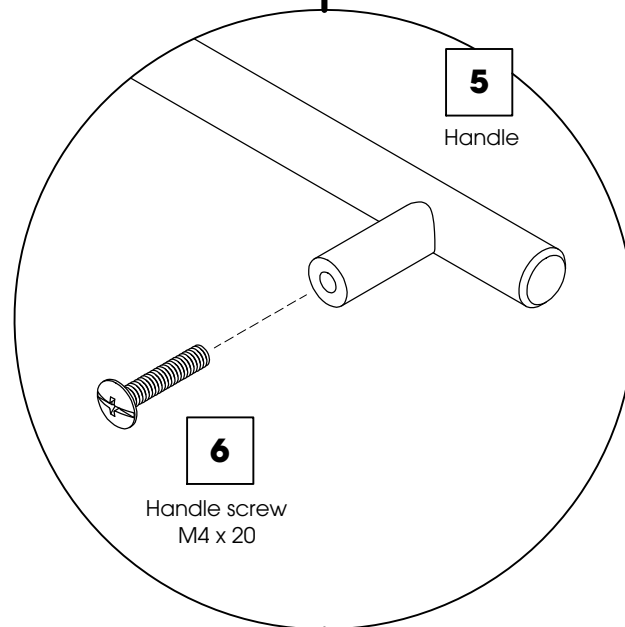
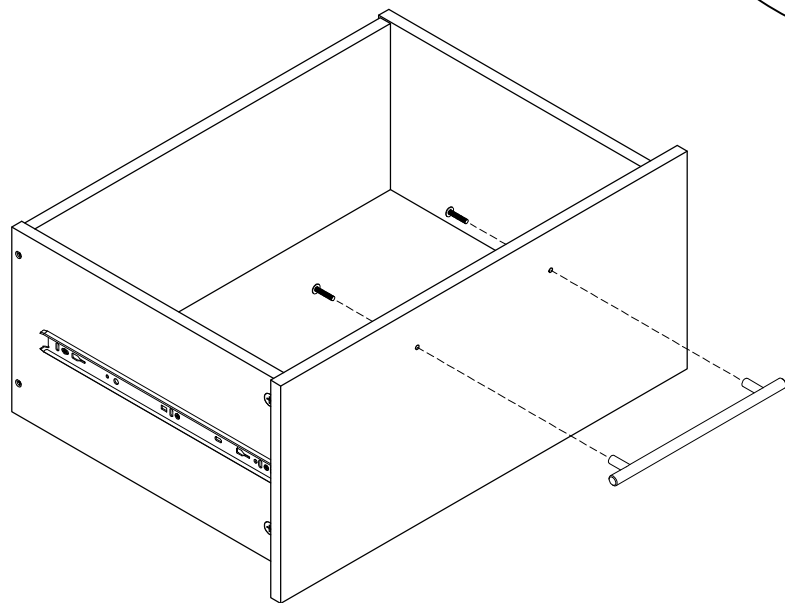


STEP 22

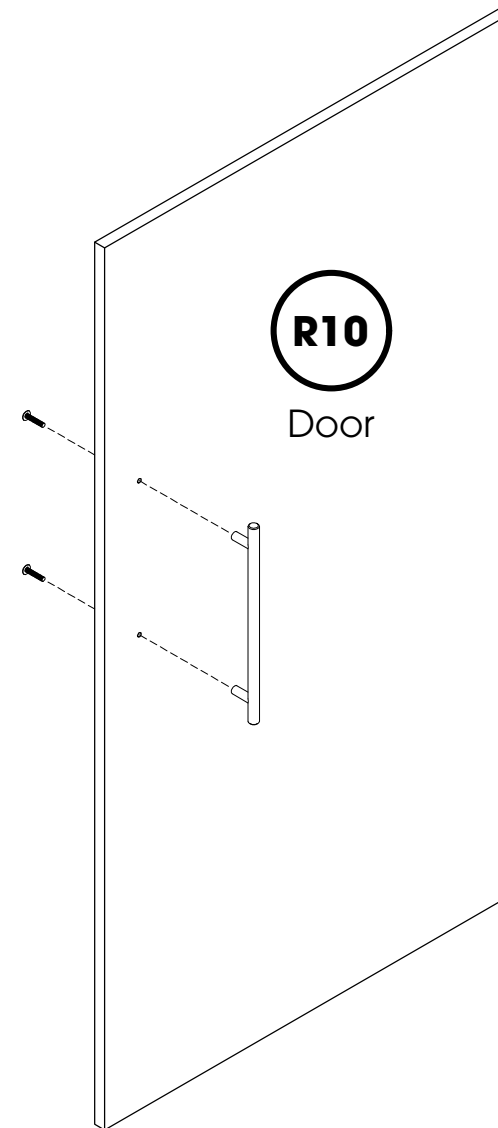


**DRAWER
X4**

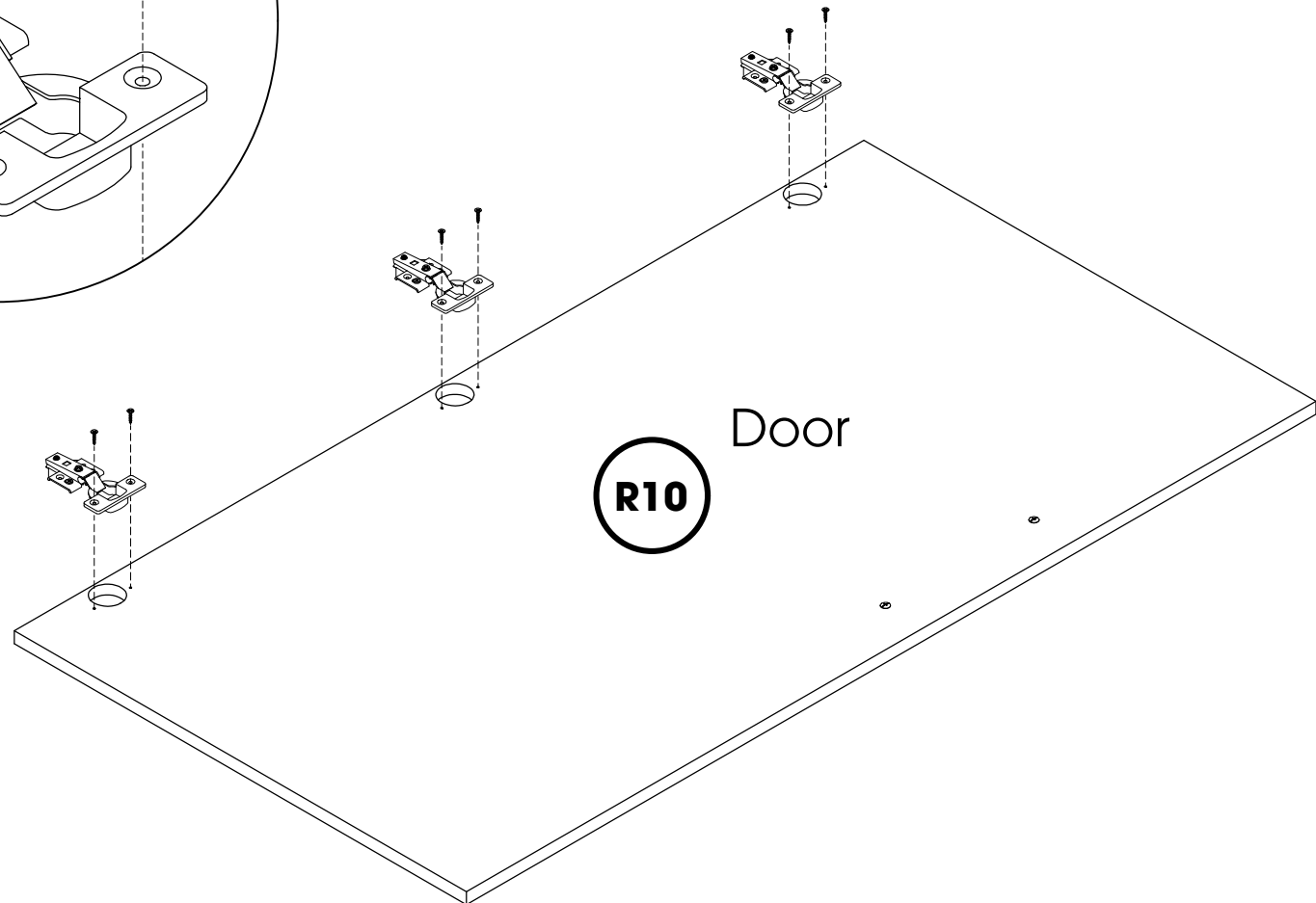
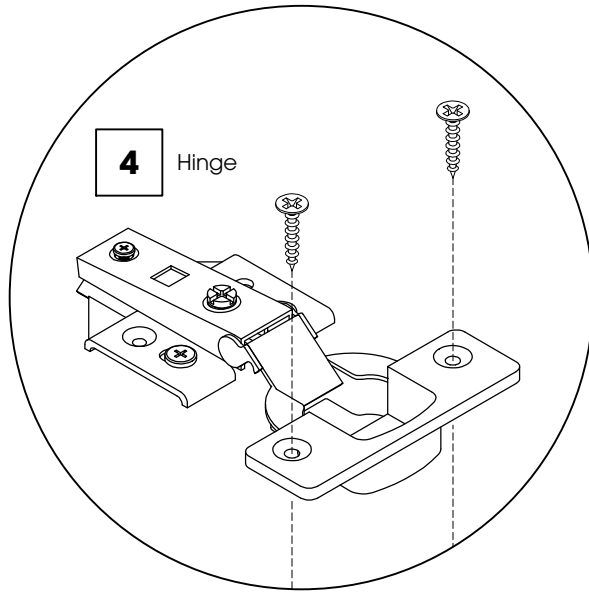
STEP 23



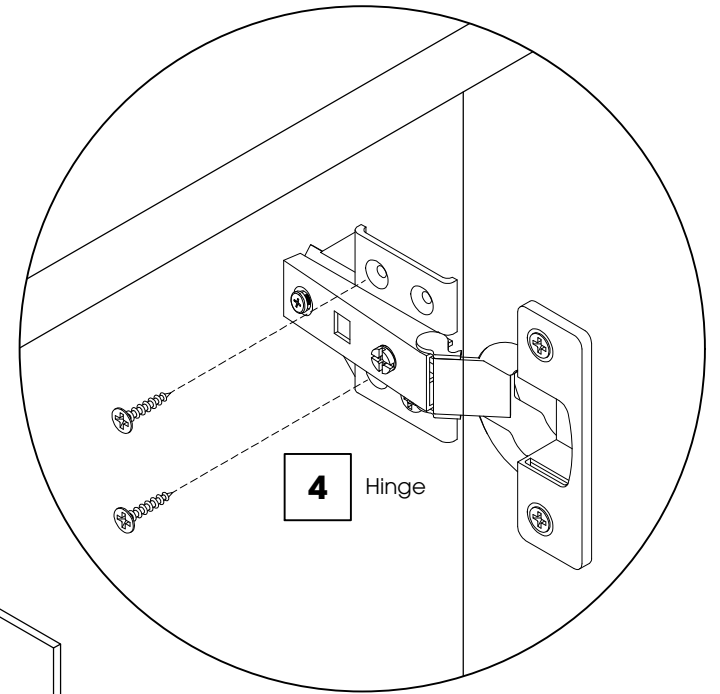
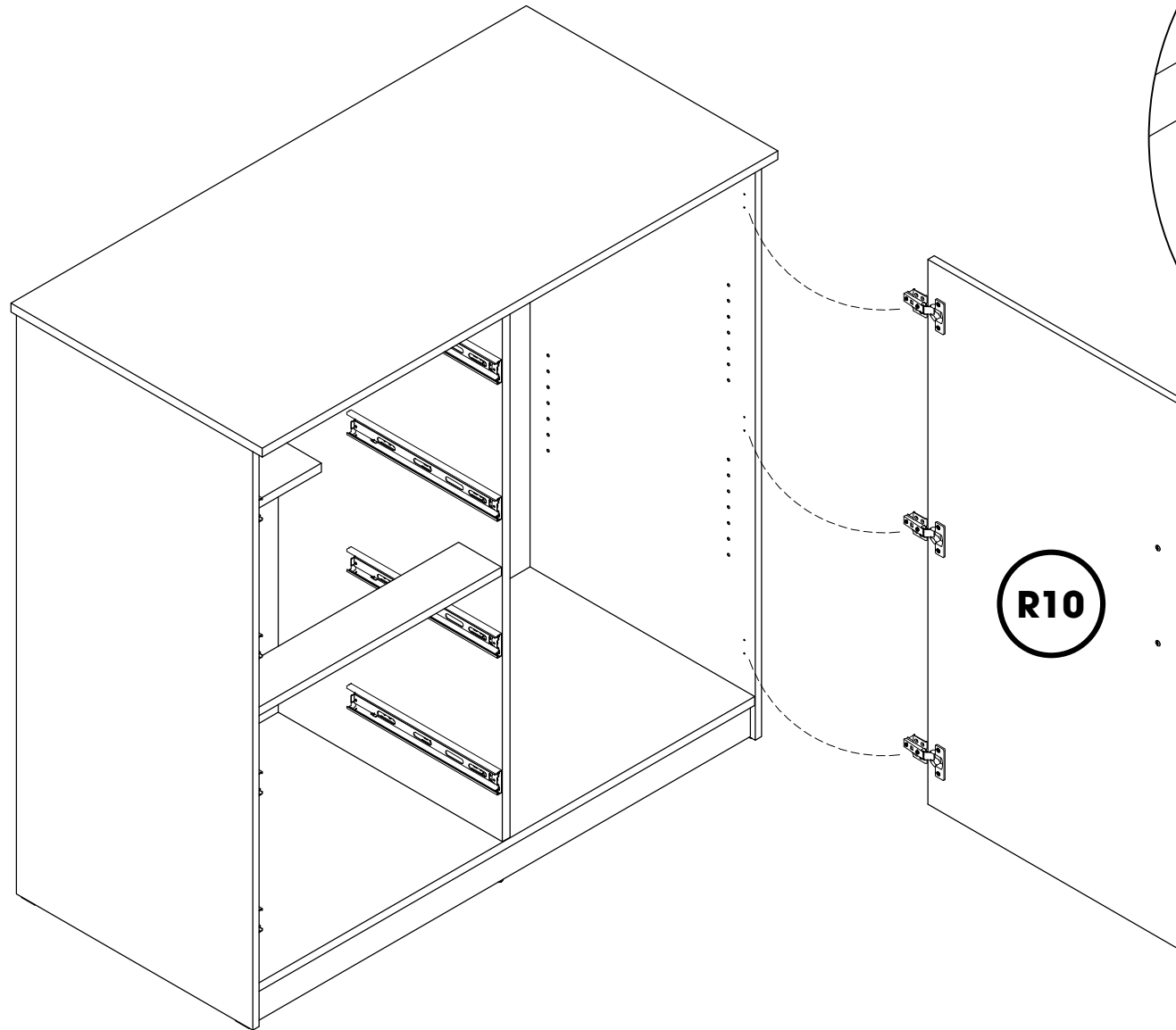
STEP 24



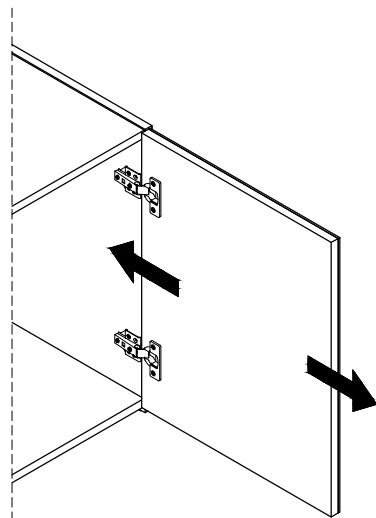
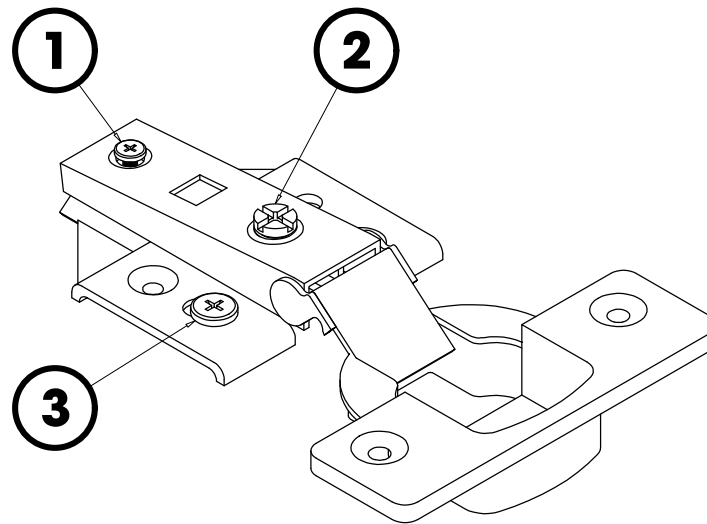
STEP 25



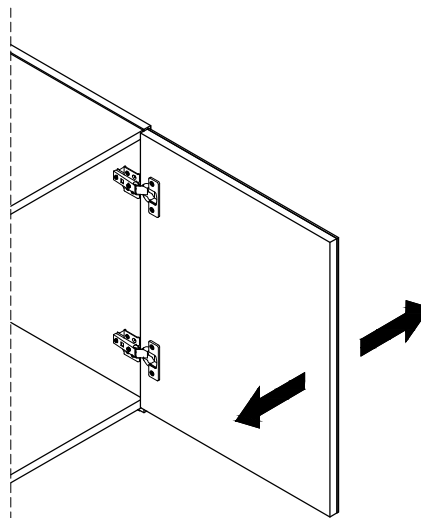
STEP 26



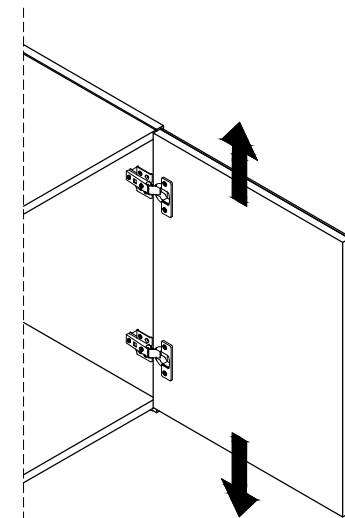
6 - WAY ADJUSTABLE HINGE



1

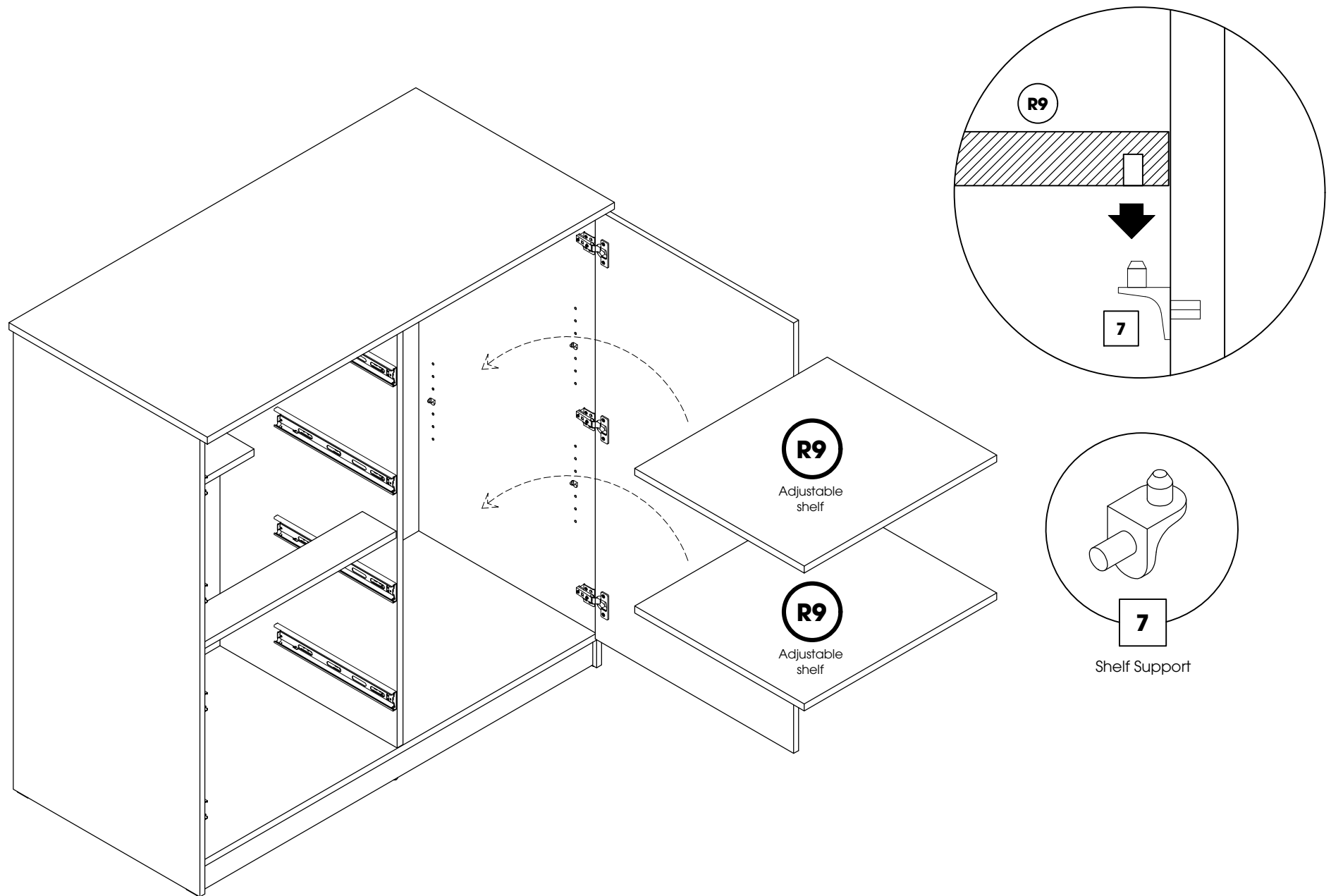


2

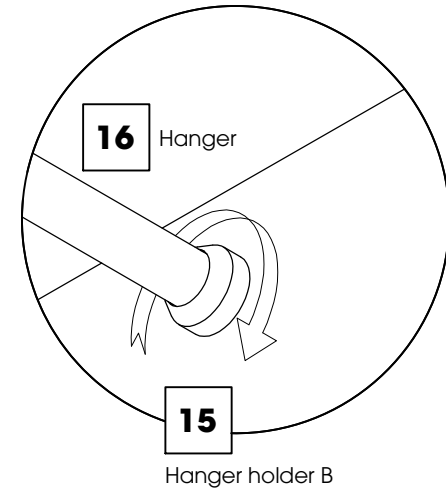
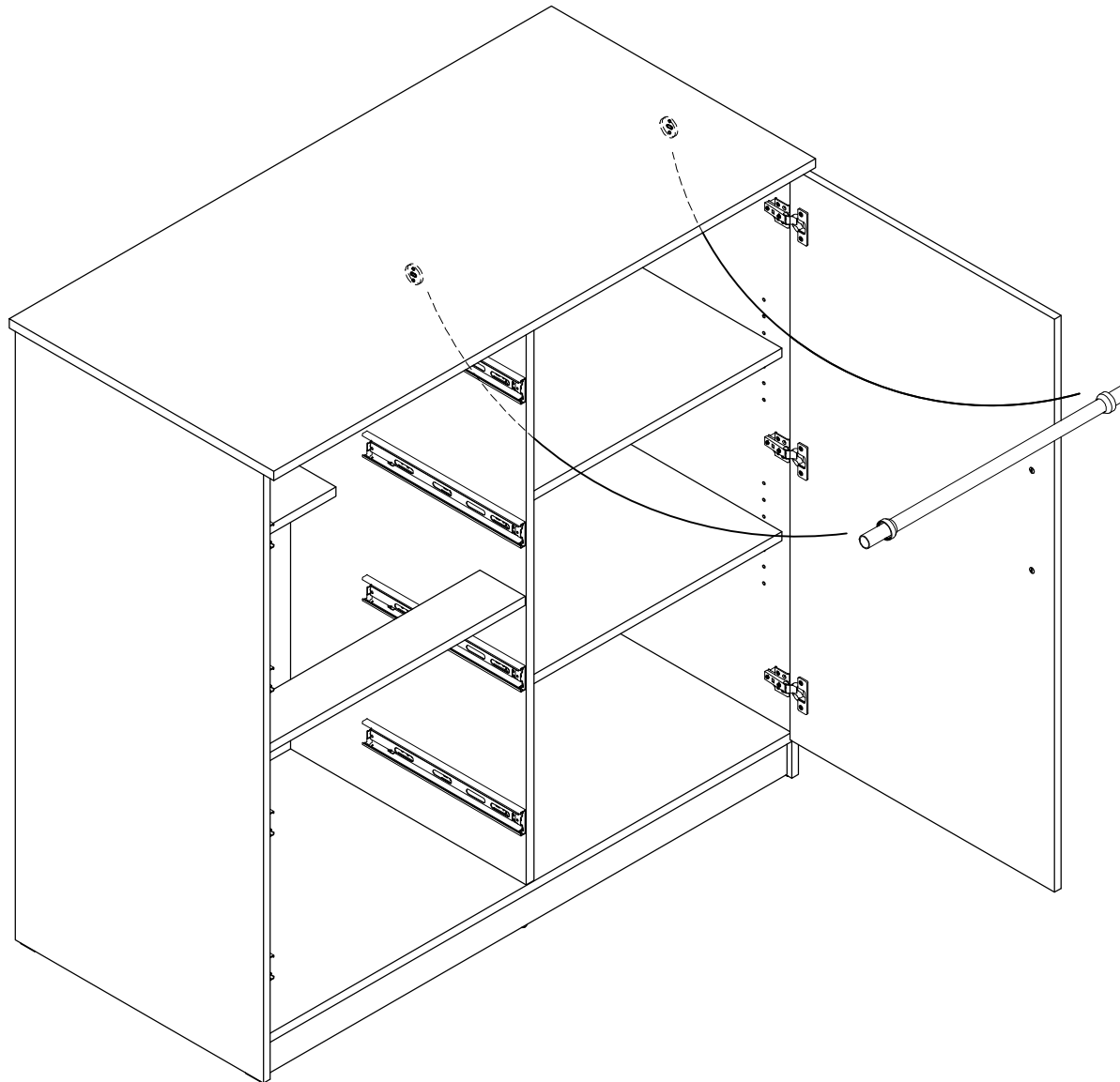


3

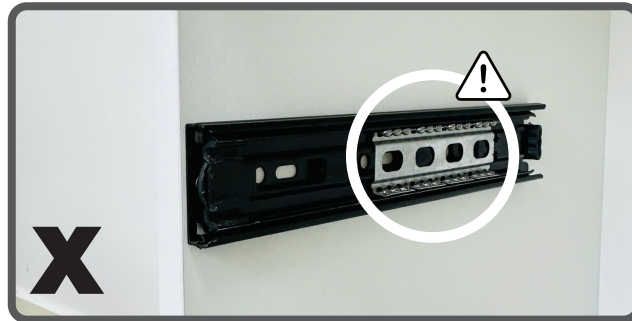
STEP 27



STEP 28

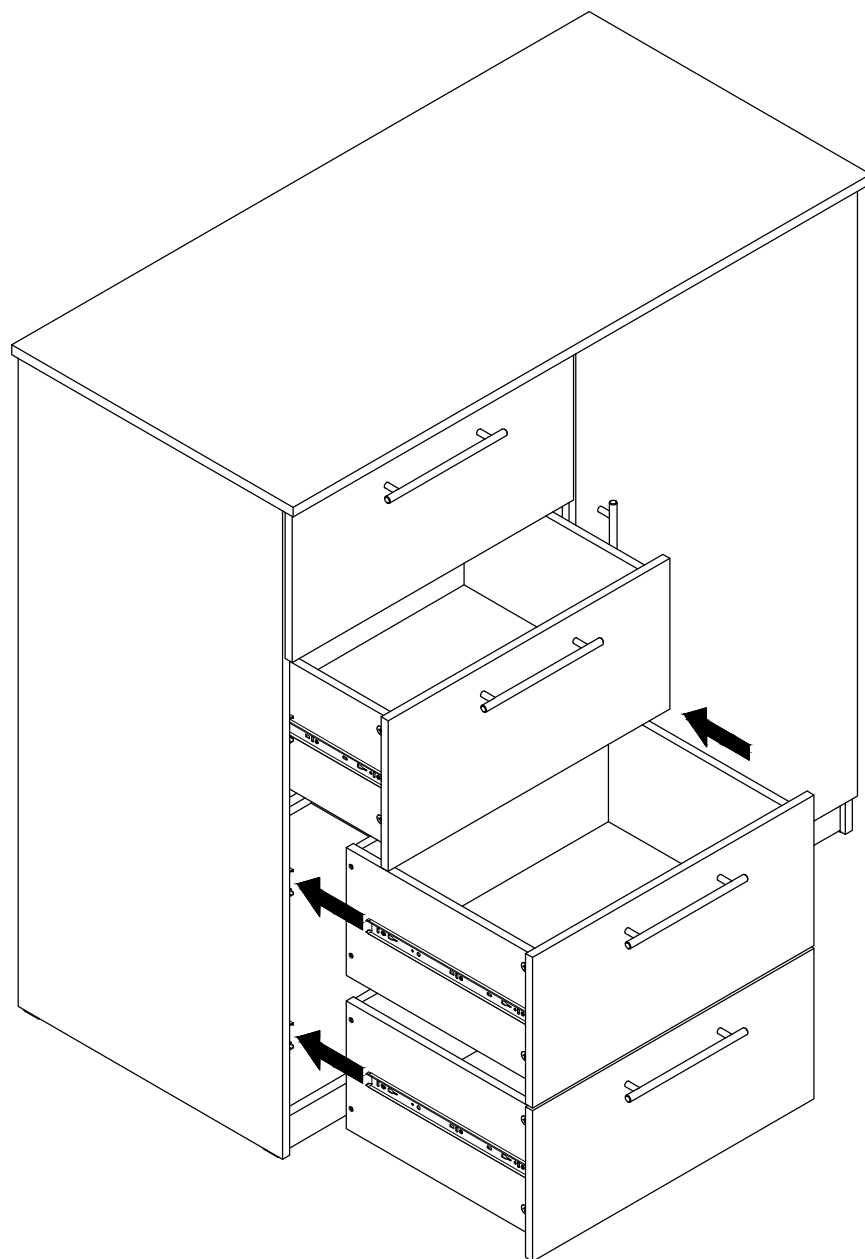


BE CAREFUL !

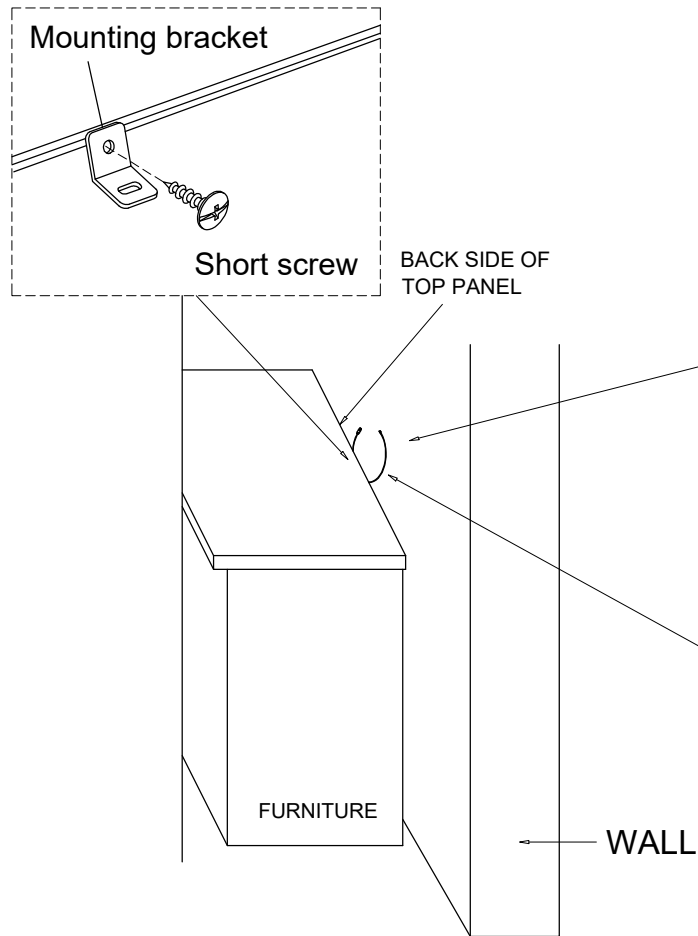


- 1.** Push the ball to the outermost edge of the outer rail.
- 2.** Drawer inner rail butts outer rail, then push it in parallel.
- 3.** After hearing the click sound from both sides, firmly push the drawer in to ensure both drawer rails are installed properly.

COMPLETE

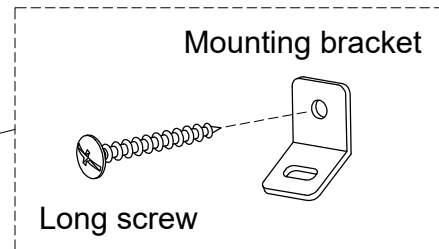


ANTI-TIP RESTRAINT



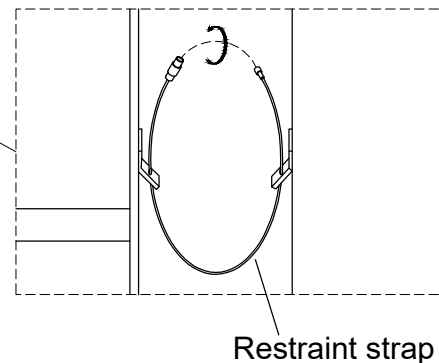
STEP 1:

- Attach the mounting bracket to the furniture in the solid part below the top panel a few inches away from the side of the unit.
- Short screw through the smallest hole of mounting bracket.



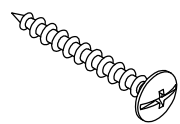
STEP 2:

- Locate a stud in behind the have to
- Place the other mounting bracket on the wall stud 2 inches below the mounting bracket secured to the back of your unit.
- Attach to the wall stud using long screw through the smaller hole of mounting bracket

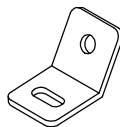


STEP 3:

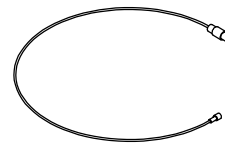
- Repeat the same step a few inches away from the other side of the unit.
- Place the furniture into position so both mounting brackets are vertically in line.
- Lace the end of the restraint strap through the larger holes in each mounting bracket.
- Secure the straps and lock into place.



Long screw x 1



Mounting bracket x 2



Restraint strap x 1



Short screw x 1