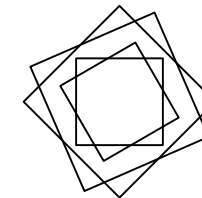
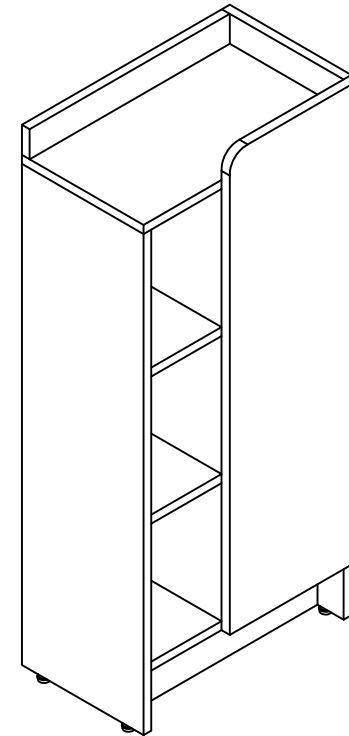


## THANKS FOR WATCHING

Your feedback is invaluable to us and we would love to hear about your experience. Please take the time to leave us a review.












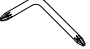


## Thank you for shopping with us!

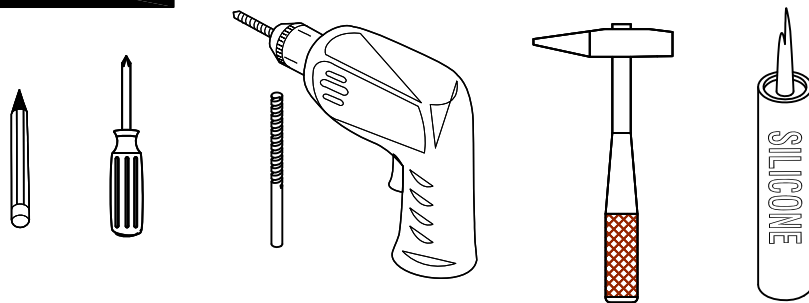
We encourage you to take a few minutes to go through this booklet. It contains important information on installation and care tips to keep your furniture looking as good as new.

# Item NO.:UNOR SV 007R 16

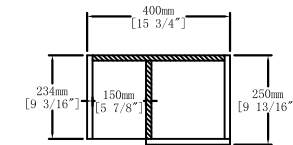
## Hardware

NO.	Draw	QTY	NO.	Draw	QTY
A	 Screws Ø4x14mm	12	G	 Screws Ø4x25mm	3
B	 Two-in-one connector	38	H	 Hinges ( Full cover )	2
C	 Two-in-one connector	38	I	 Adjustable feet	4
D	 Wood plug	10	J	 Movable laminate support	8
E	 Plastic anchor(Ø10mm)	2	K	 Anti-collision gasket	2
F	 Screws for fix on the wall	2	L	 Screwdriver	1

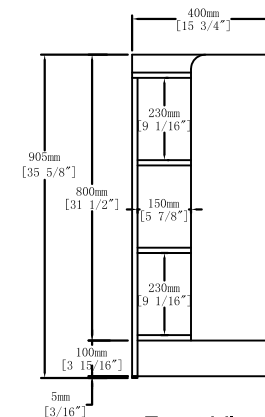
## Recommended tools



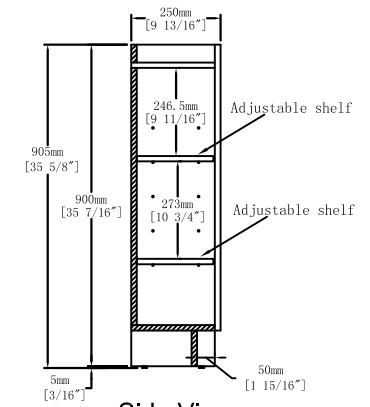
## Dimensions



Top View



Front View

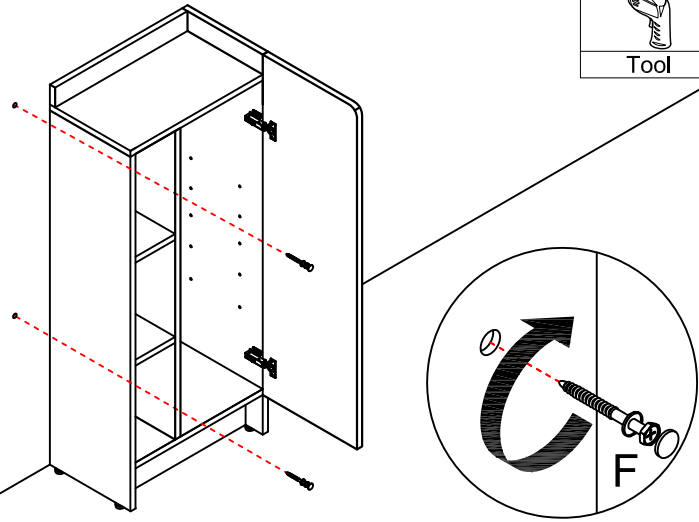
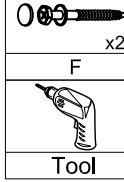


Side View

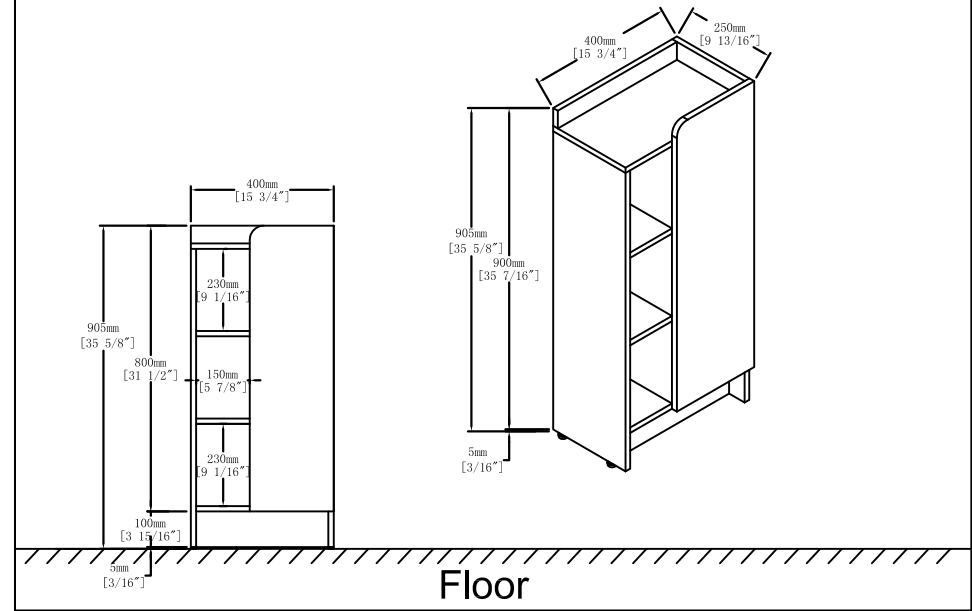
## CARE CLEANING AND MAINTENANCE

1. Dust regularly with a soft , dry cloth.
2. Avoid the use of all chemicals household cleaners, abrasives, or cleaners that contain lemon, vinegar, or other acids that may damage the finish.
3. Excessive exposure to sunlight and extreme changes in temperature and moisture can damage wood furniture.
4. Do not place hot appliances, such as curling irons and hot hair dryers directly on the countertop. Wipe spills immediately.

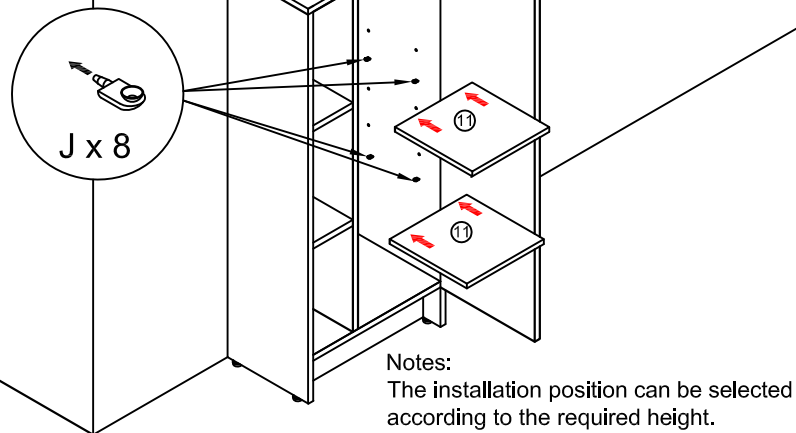
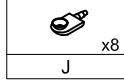
**Step 13**



**Dimensions**

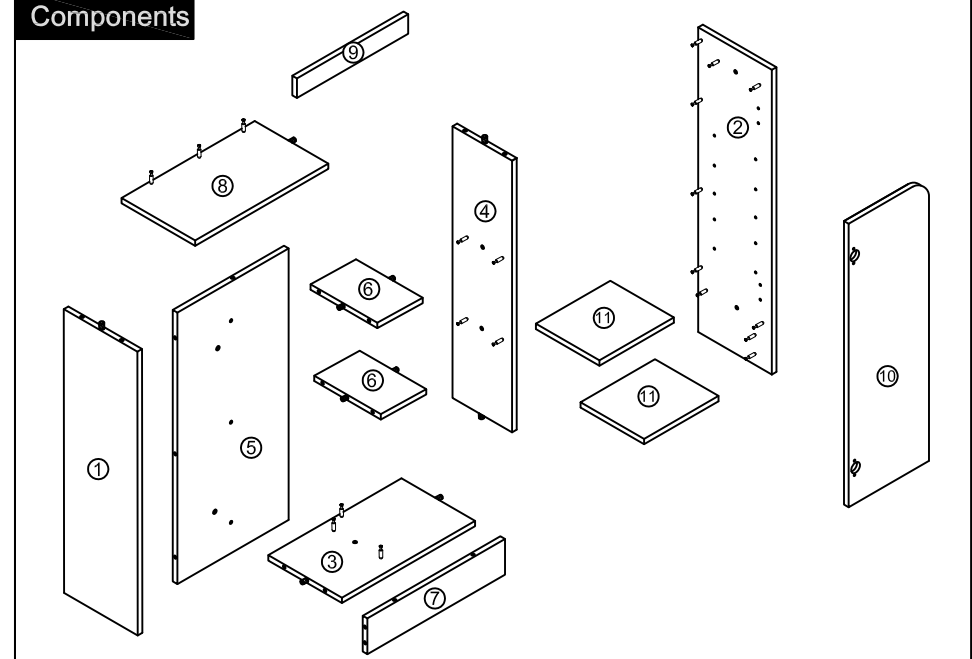


**Finished**



Notes:  
The installation position can be selected according to the required height.

**Components**



### Step 1

Note: The D parts are used for these two holes

Notes: Screw installation depth as shown

Attention: Cam lock arrow point to the steel rod.

- B x4
- C x4
- D x2
- L

### Step 2

Notes: Screw installation depth as shown

Attention: Cam lock arrow point to the steel rod.

- B x2
- C x2
- L

### Step 10

Tool

### Step 11

Tool


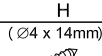
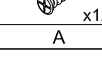


Ø10

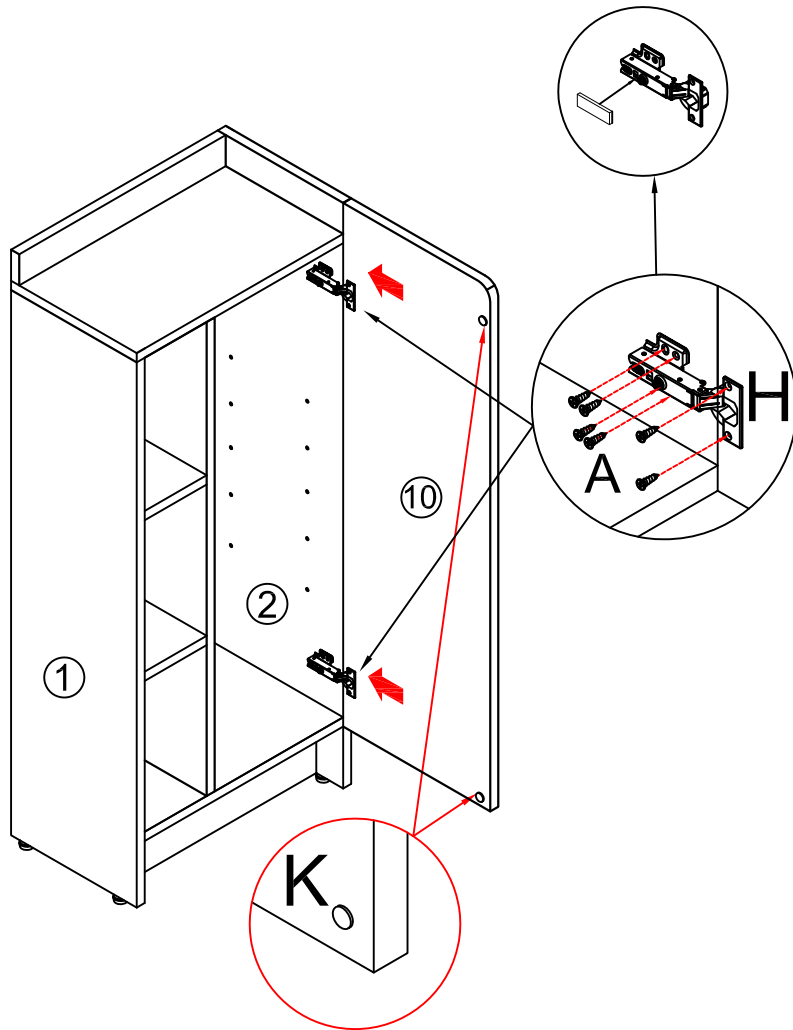
### Step 12

Tool

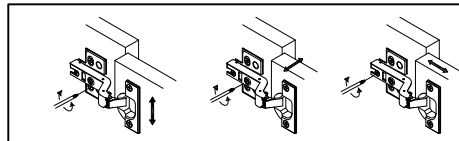
E x2

### Step 9


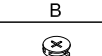
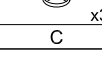
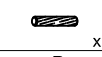
-  H  
x2
-  H  
(Ø4 x 14mm)  
x12
-  A  
x2
-  K  
x2
-  Tool

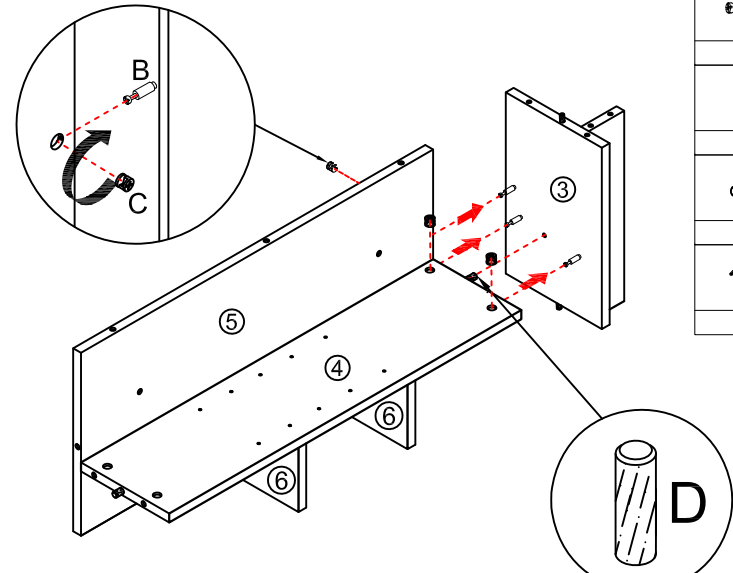


You can adjust the doors by tightening or loosening the screws on the hinge. →




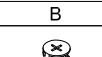
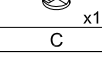

### Step 3

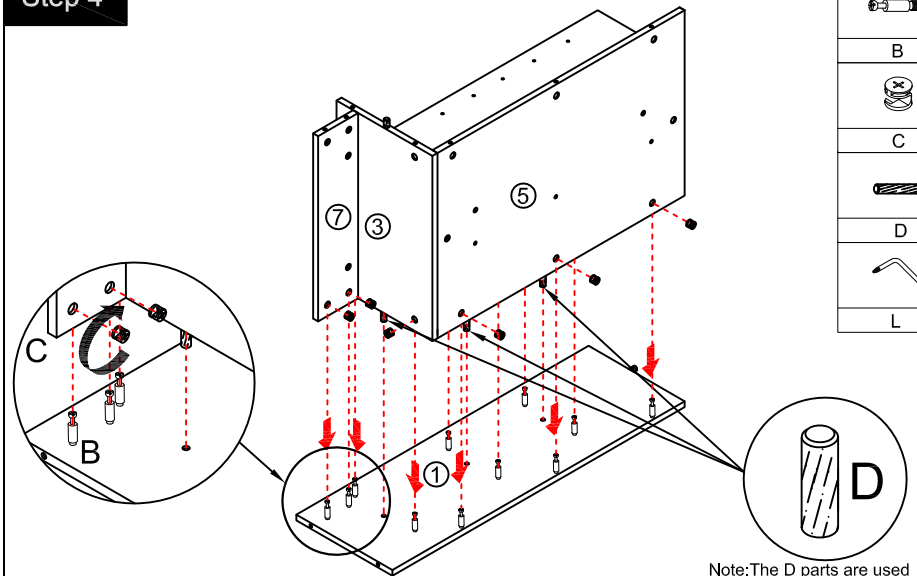
-  B  
x3
-  C  
x3
-  D  
x1
-  L



Note: The D parts are used for this hole

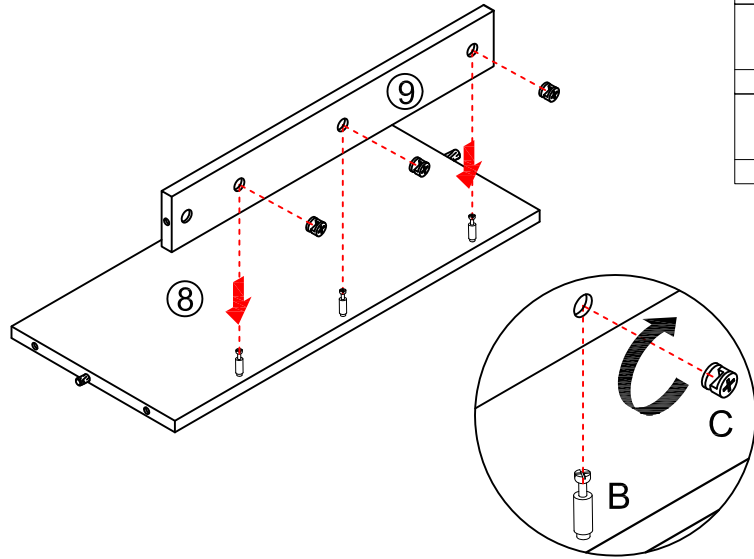
### Step 4

-  B  
x11
-  C  
x11
-  D  
x3
-  L



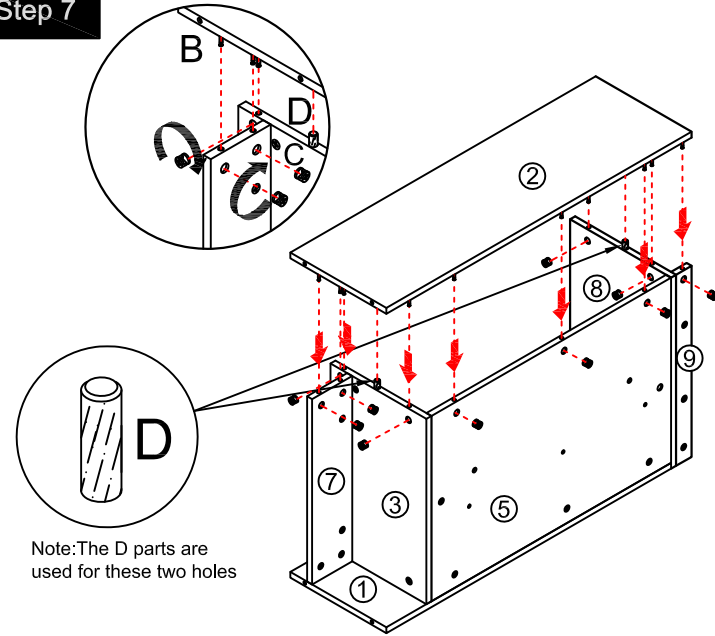
Note: The D parts are used for these three holes

### Step 5



	x3
B	
	x3
C	
L	

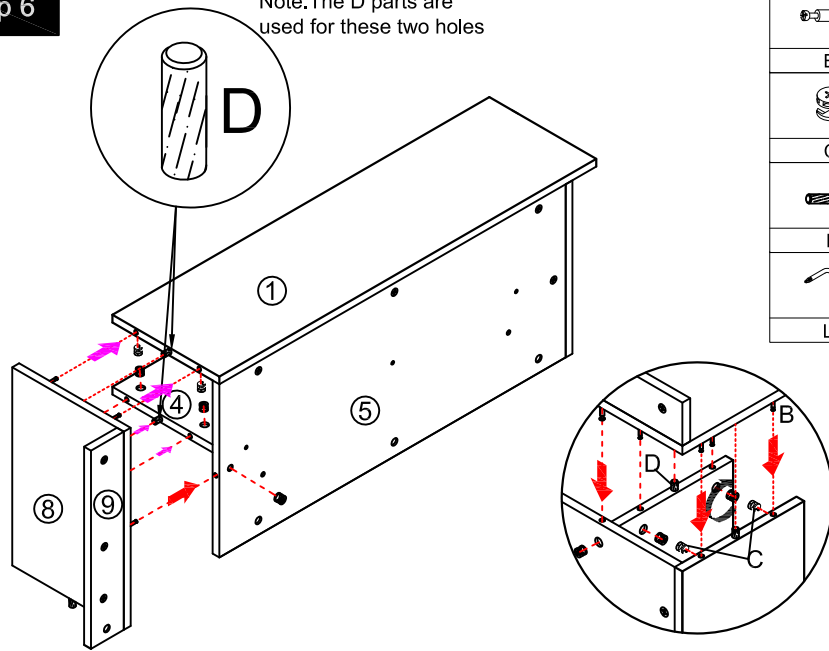
### Step 7



	x10
B	
	x10
C	
	x2
D	
L	

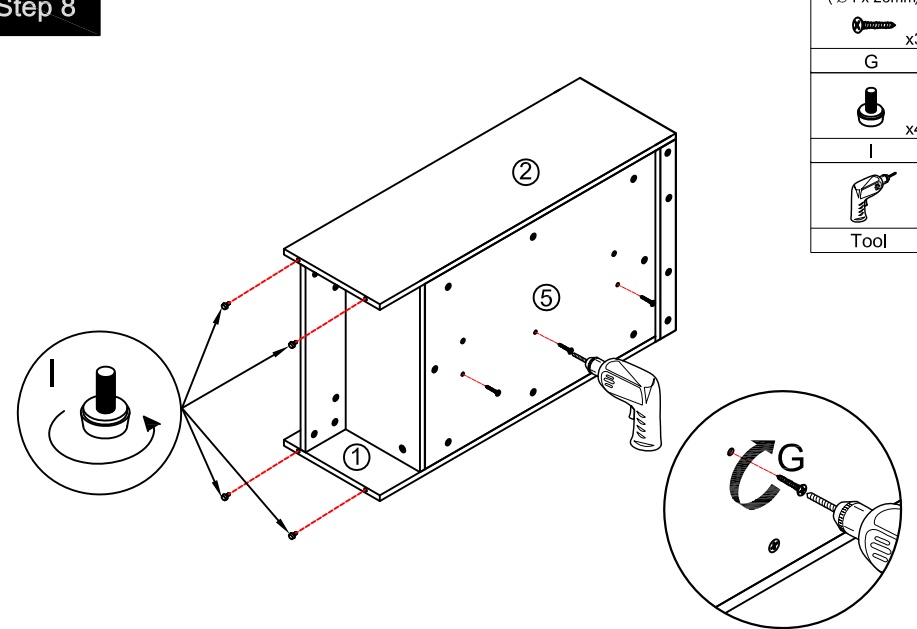
### Step 6

Note: The D parts are used for these two holes



	x5
B	
	x5
C	
	x2
D	
L	

### Step 8



(Ø4 x 25mm)	
	x3
G	
	x4
I	
	Tool