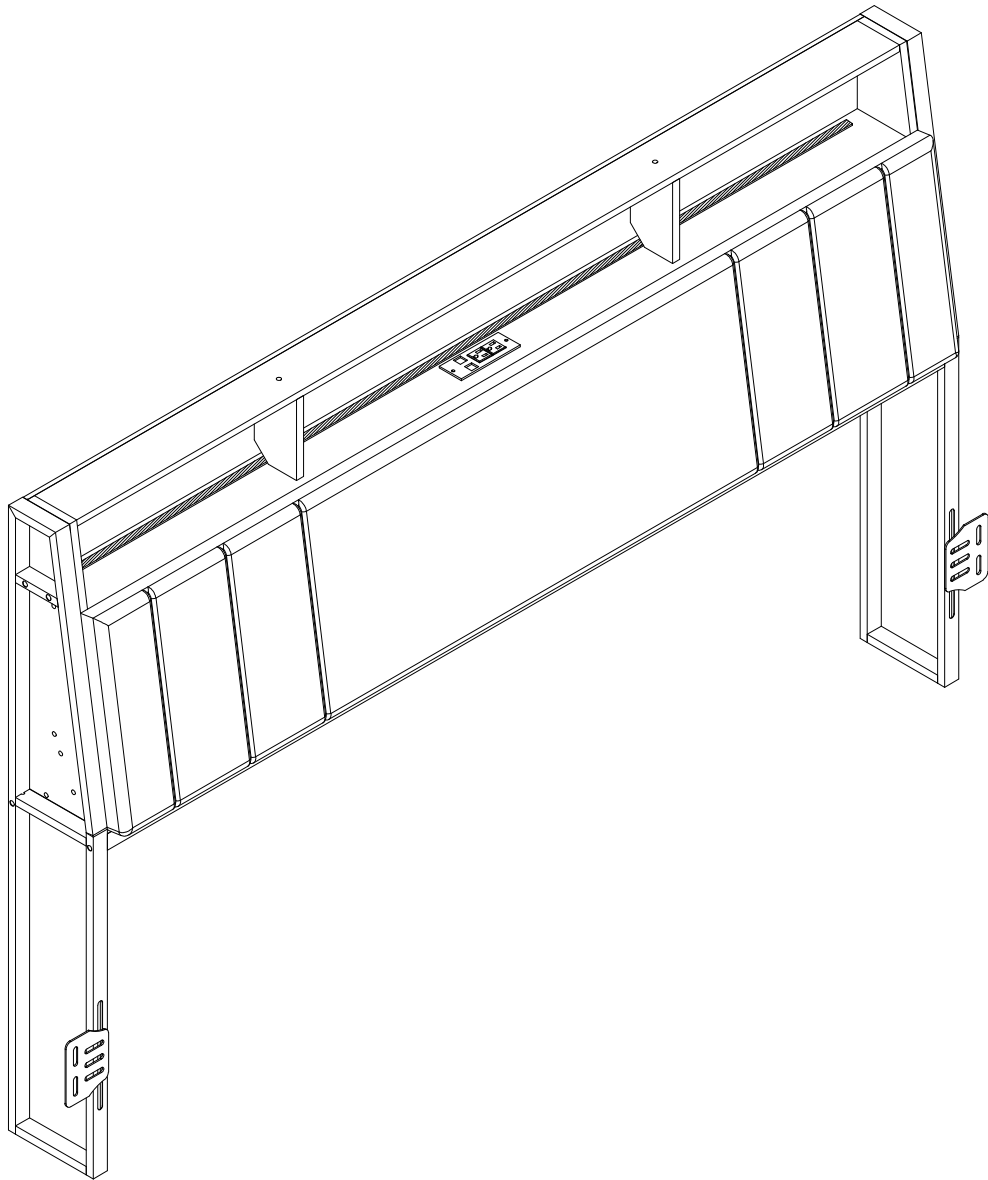
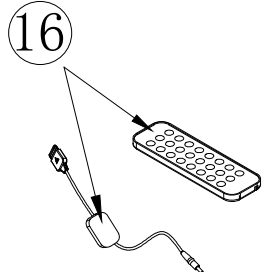
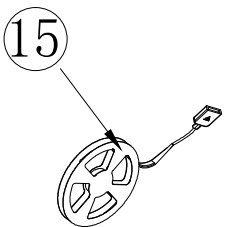
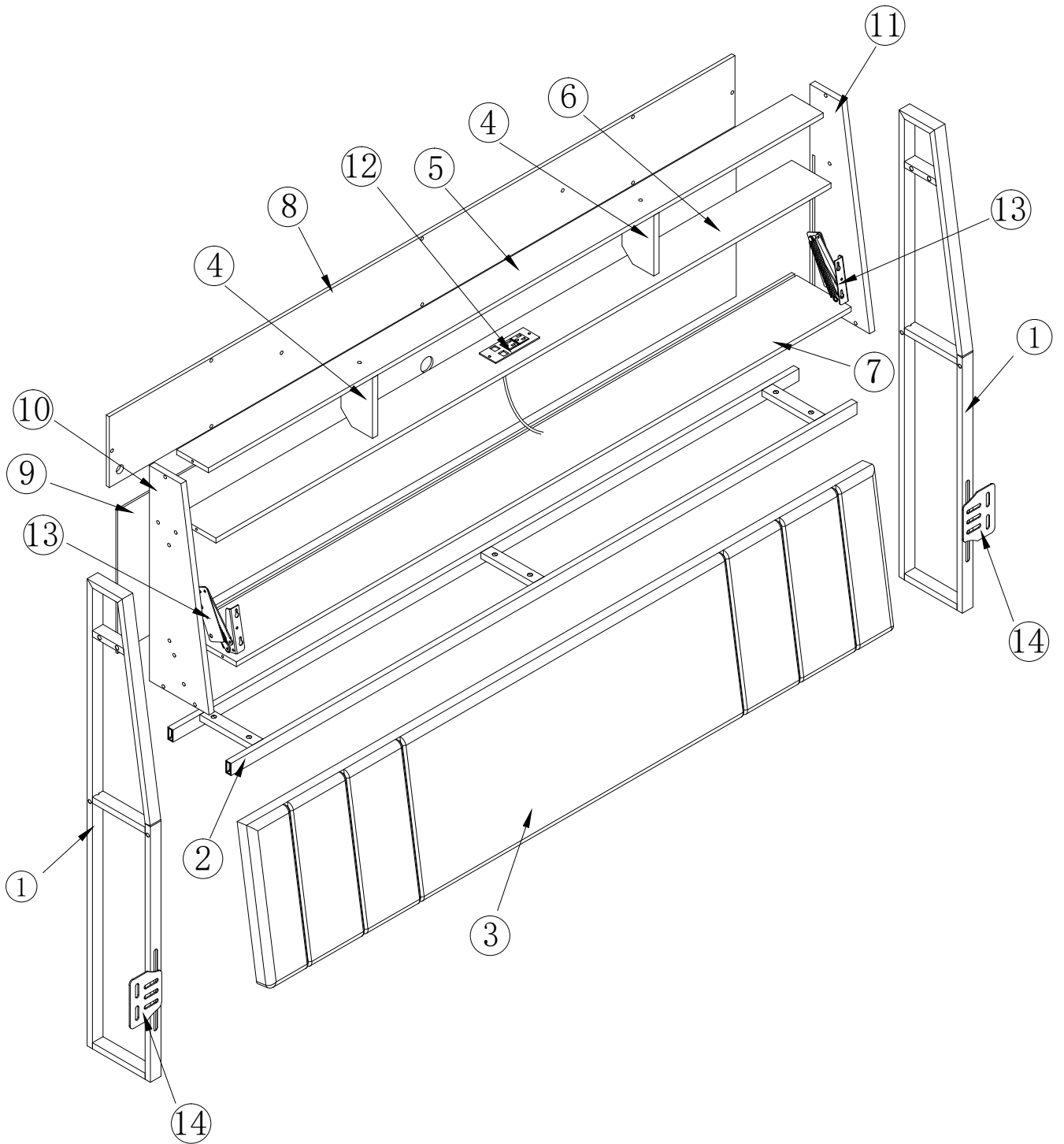


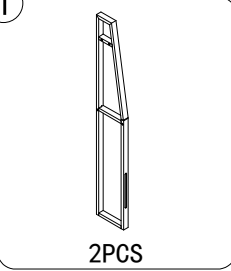
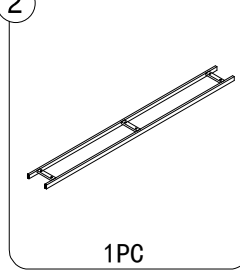
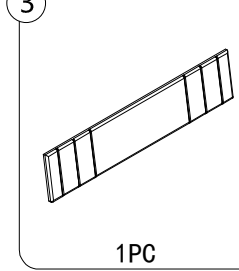
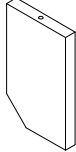
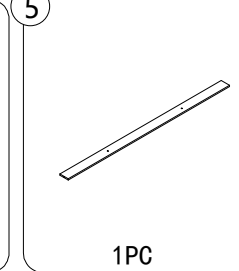
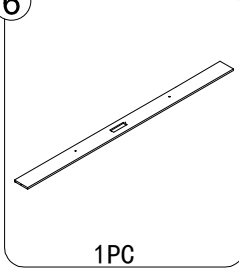
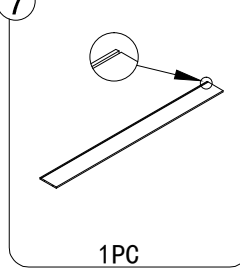
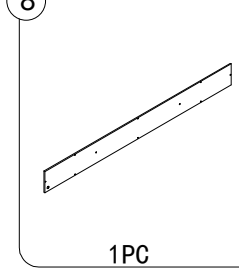
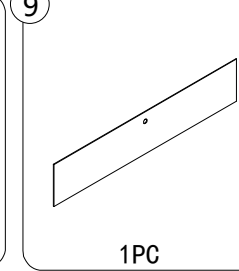
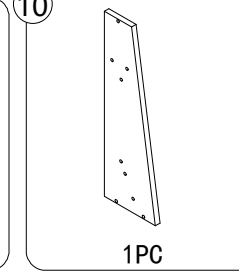
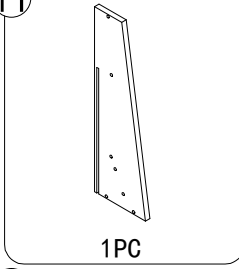
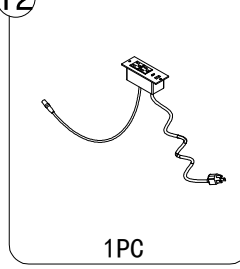
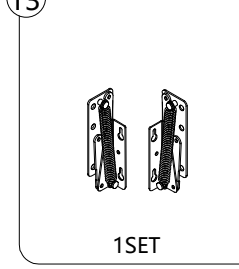
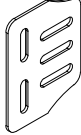
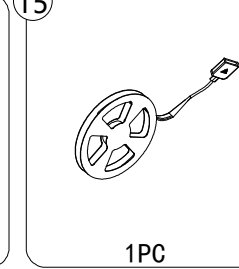
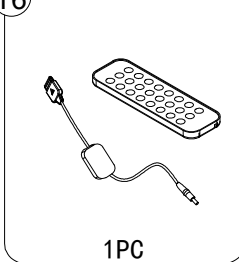
USER'S MANUAL



Email: service-priority@hotmail.com



Parts List

- 1  2PCS
- 2  1PC
- 3  1PC
- 4  2PCS
- 5  1PC
- 6  1PC
- 7  1PC
- 8  1PC
- 9  1PC
- 10  1PC
- 11  1PC
- 12  1PC
- 13  1SET
- 14  2PCS
- 15  1PC
- 16  1PC

Hardware List

A

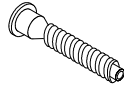
$\phi 3 \times 12$



2PCS

B

$\phi 6 \times 32$



22PCS

C

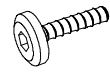
M6x15mm



10PCS

D

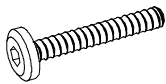
M6x25mm



6PCS

E

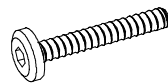
M6x45mm



4PCS

F

M6x50mm



4PCS

G

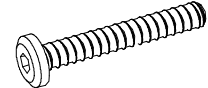
$\phi 8$



24PCS

H

M8x50mm



8PCS

I

M8



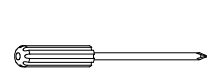
8PCS




1PC

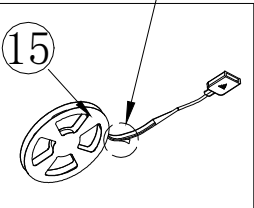
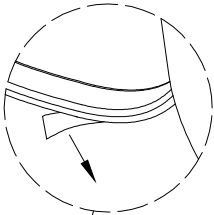
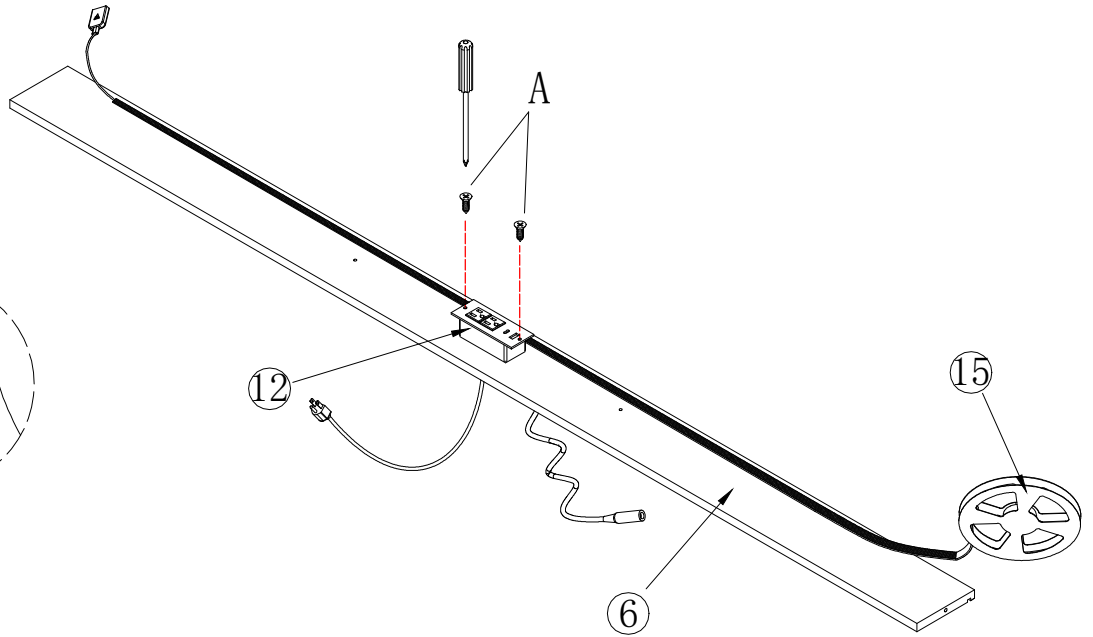
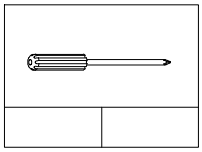



1PC

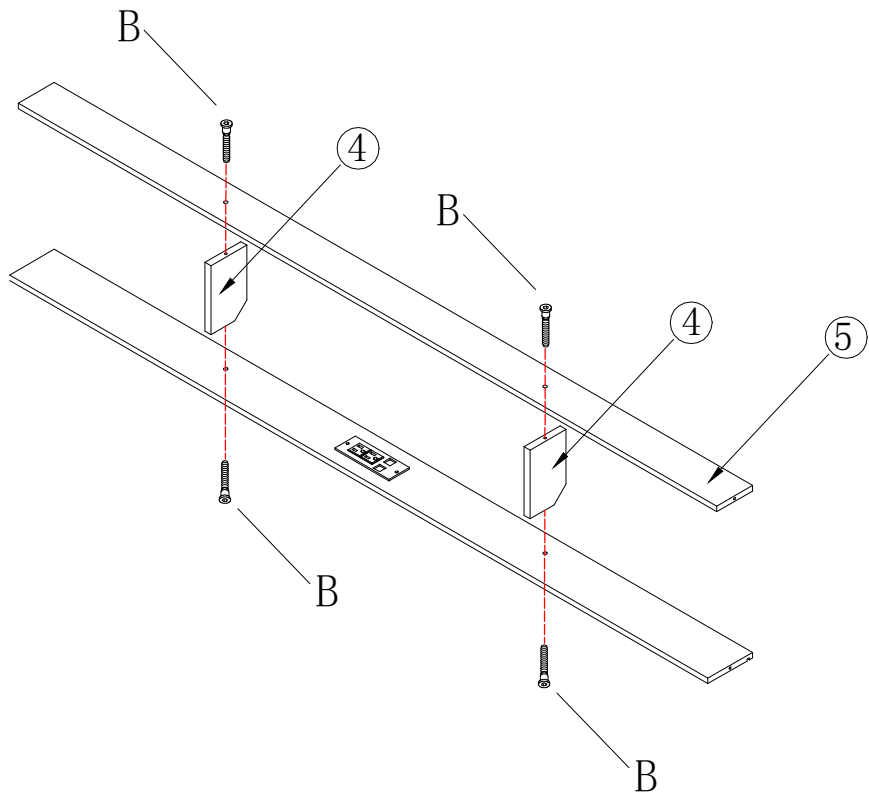
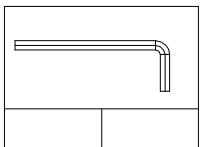


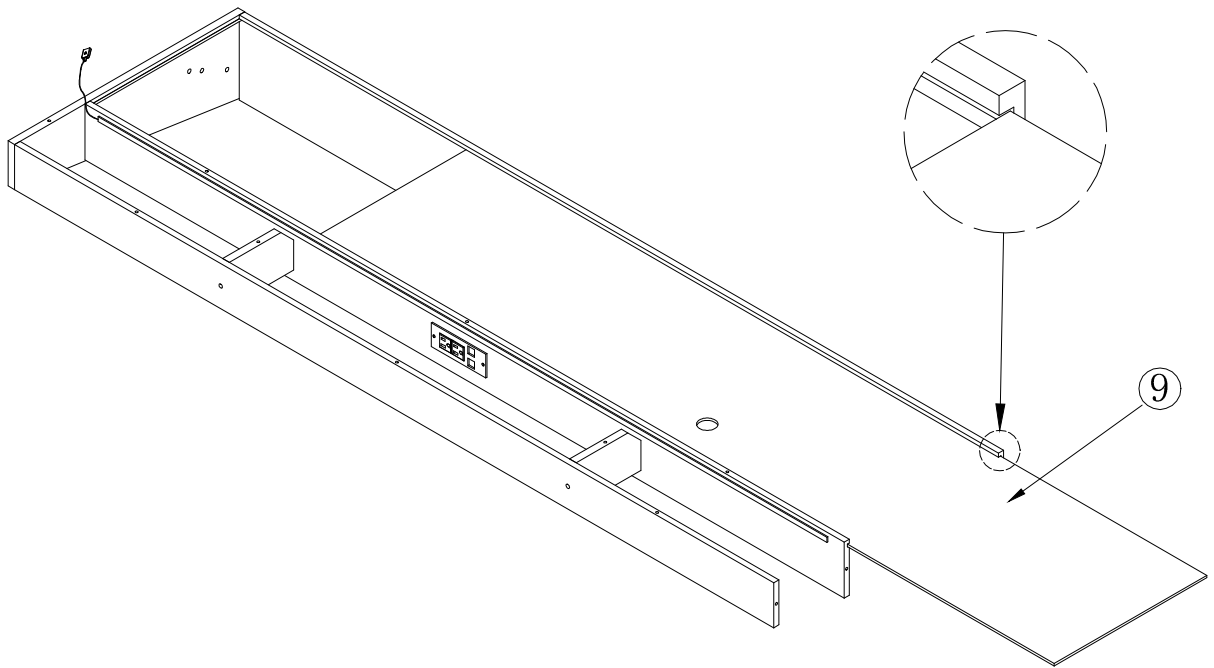
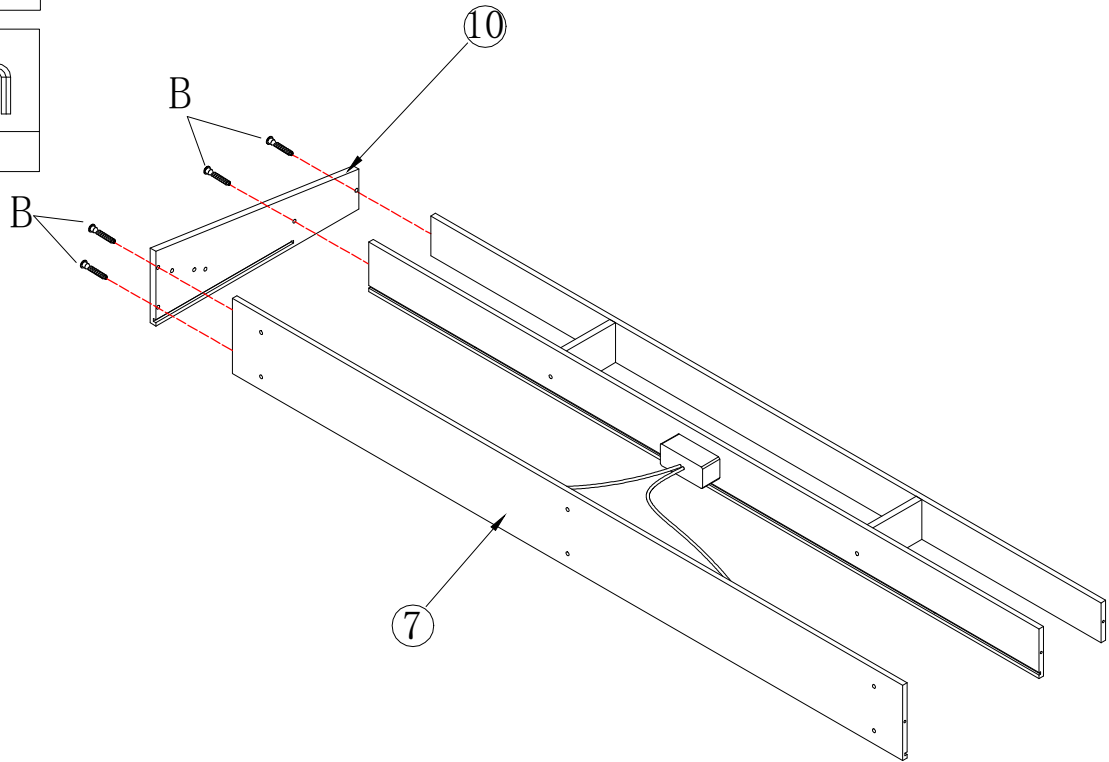
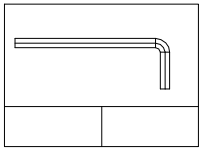
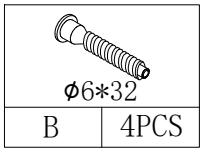
1PC

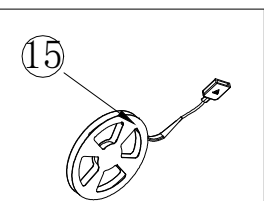
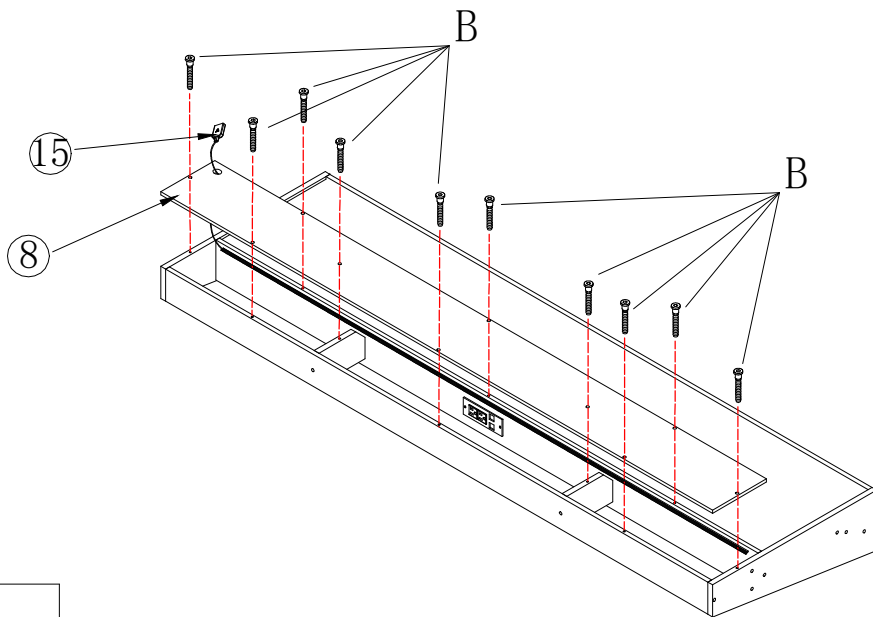
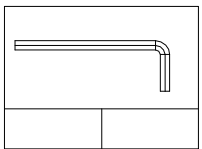
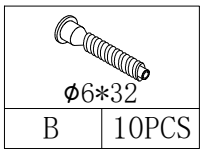
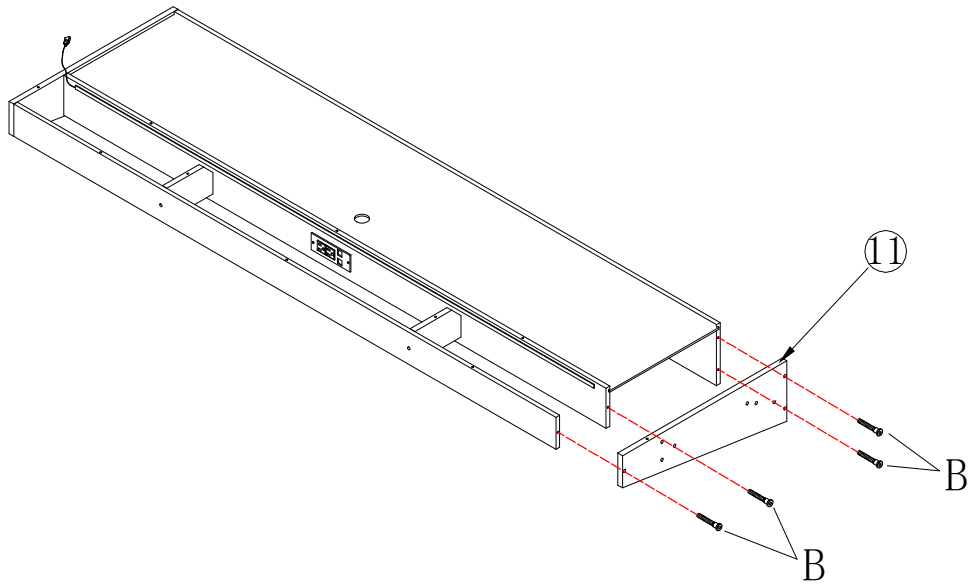
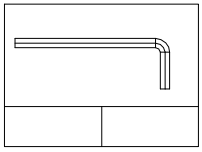
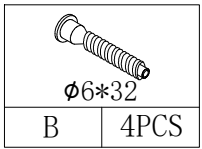
	
$\phi 3*12$	
A	2PCS

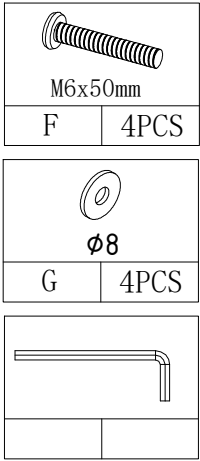


	
$\phi 6*32$	
B	4PCS

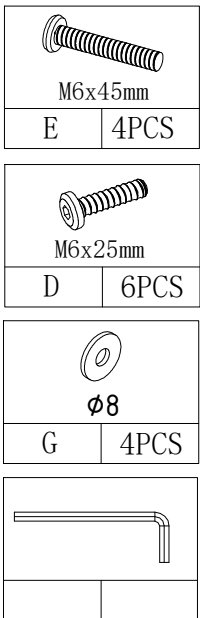
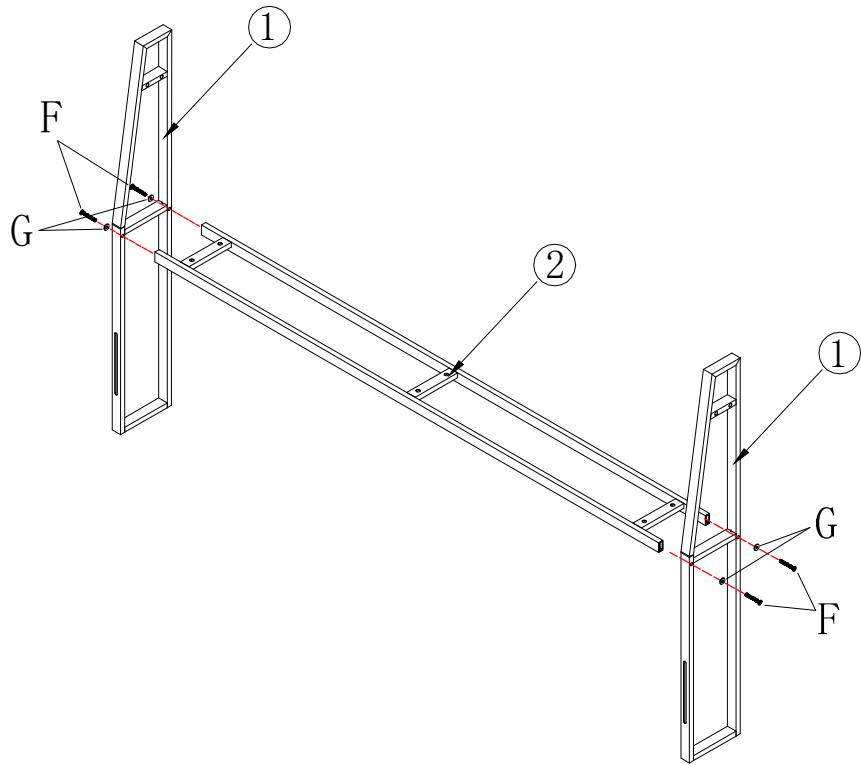




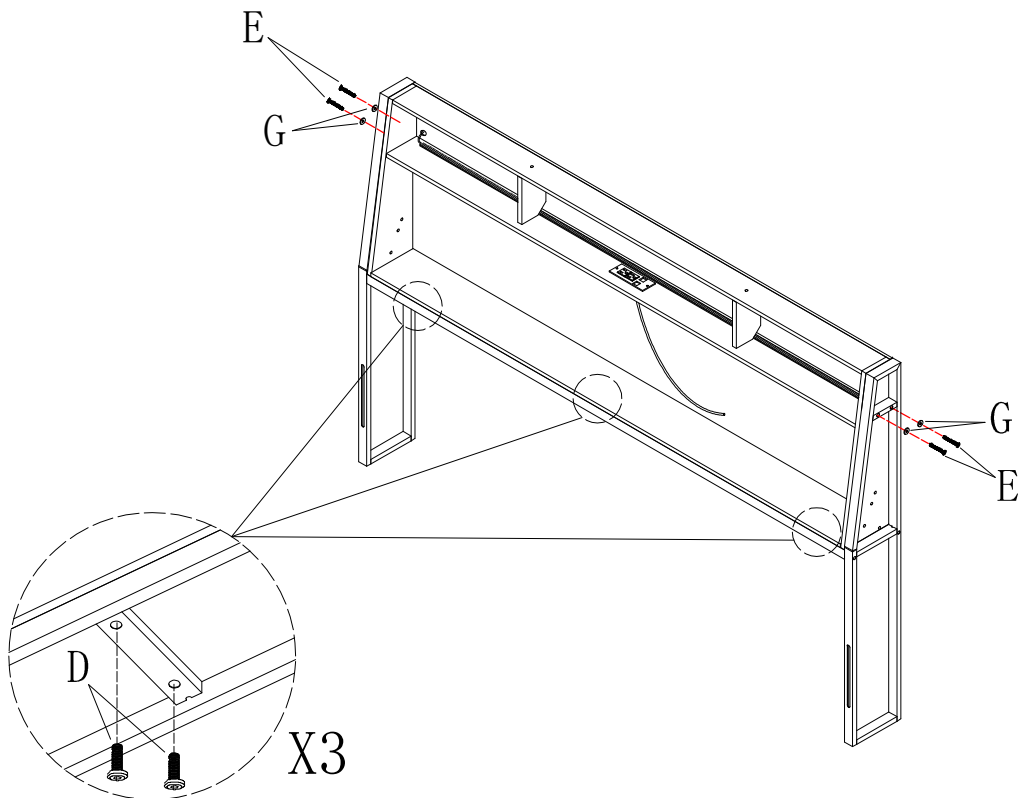


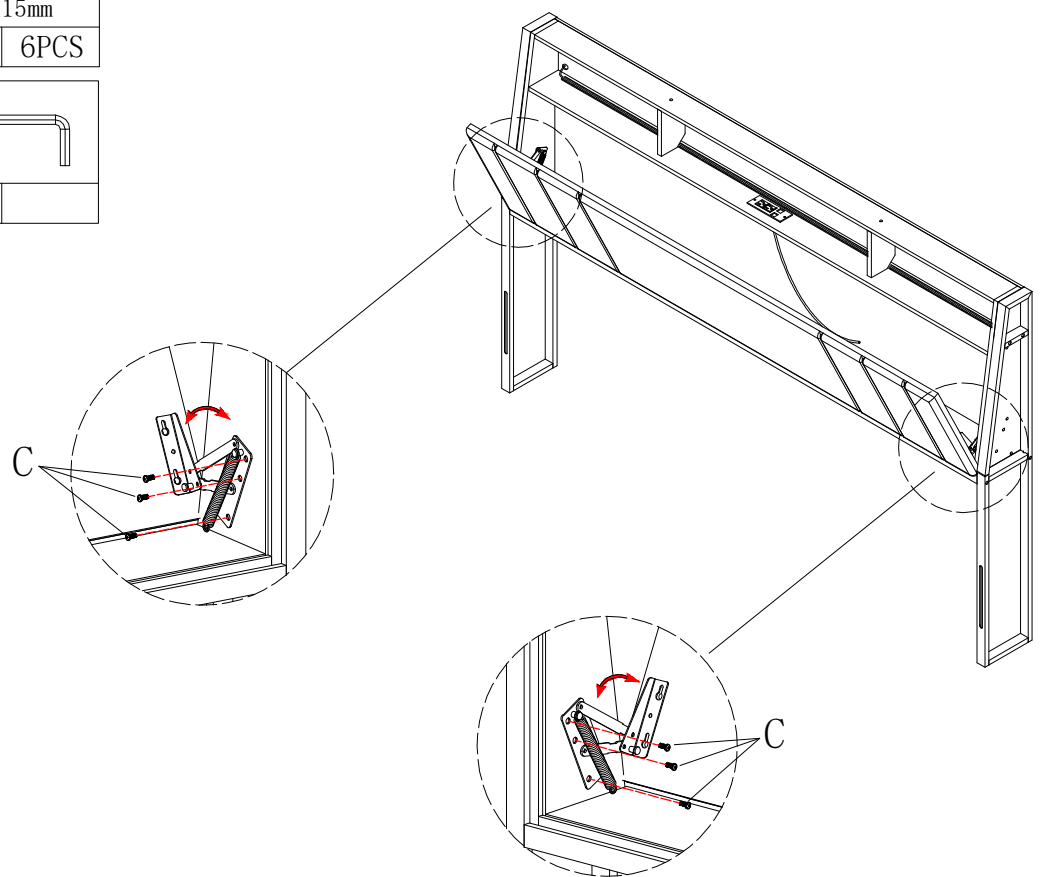
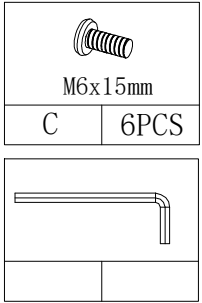
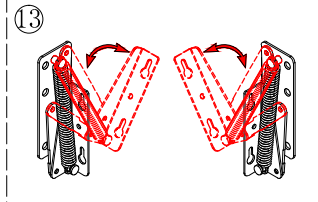
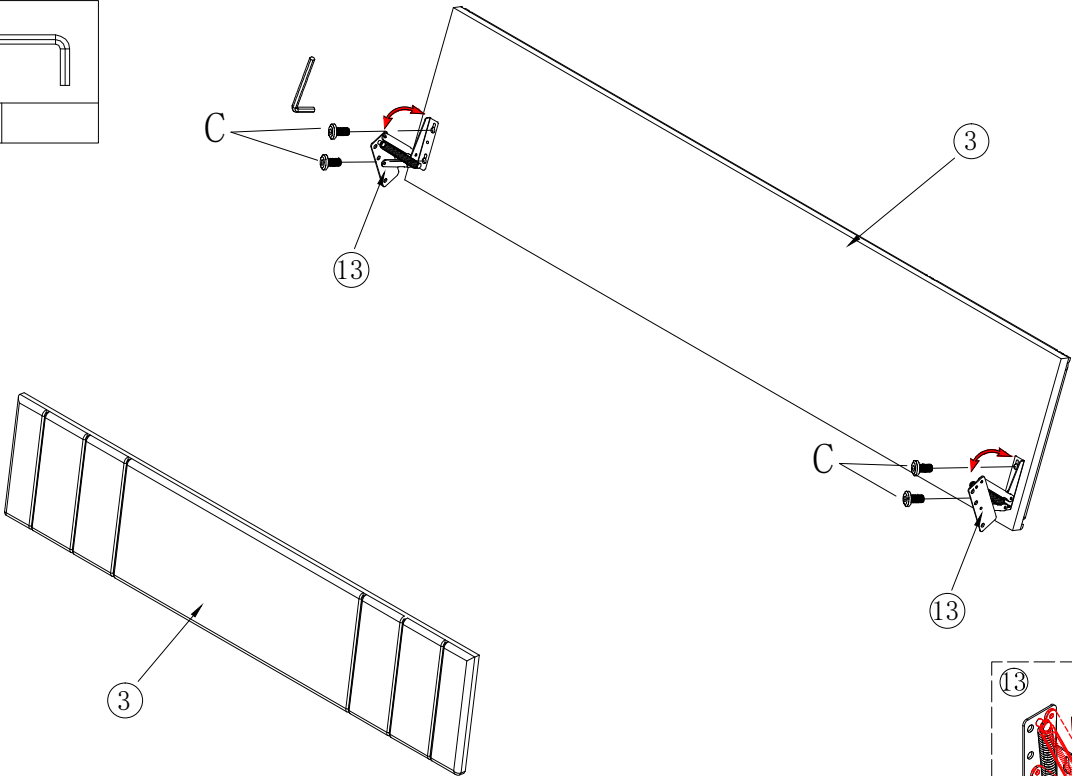
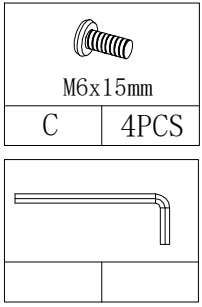


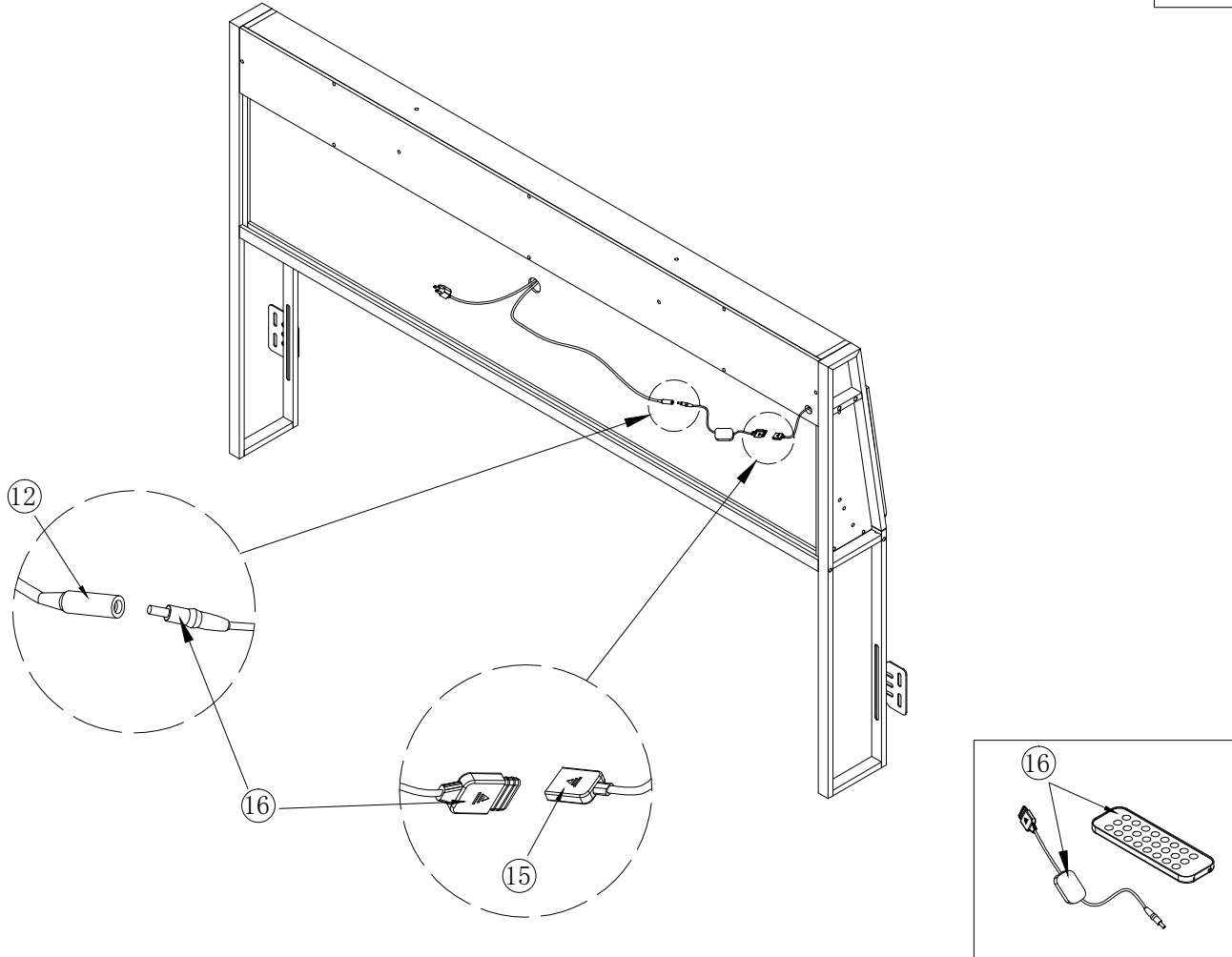
Please don't tighten the screws completely .




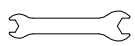



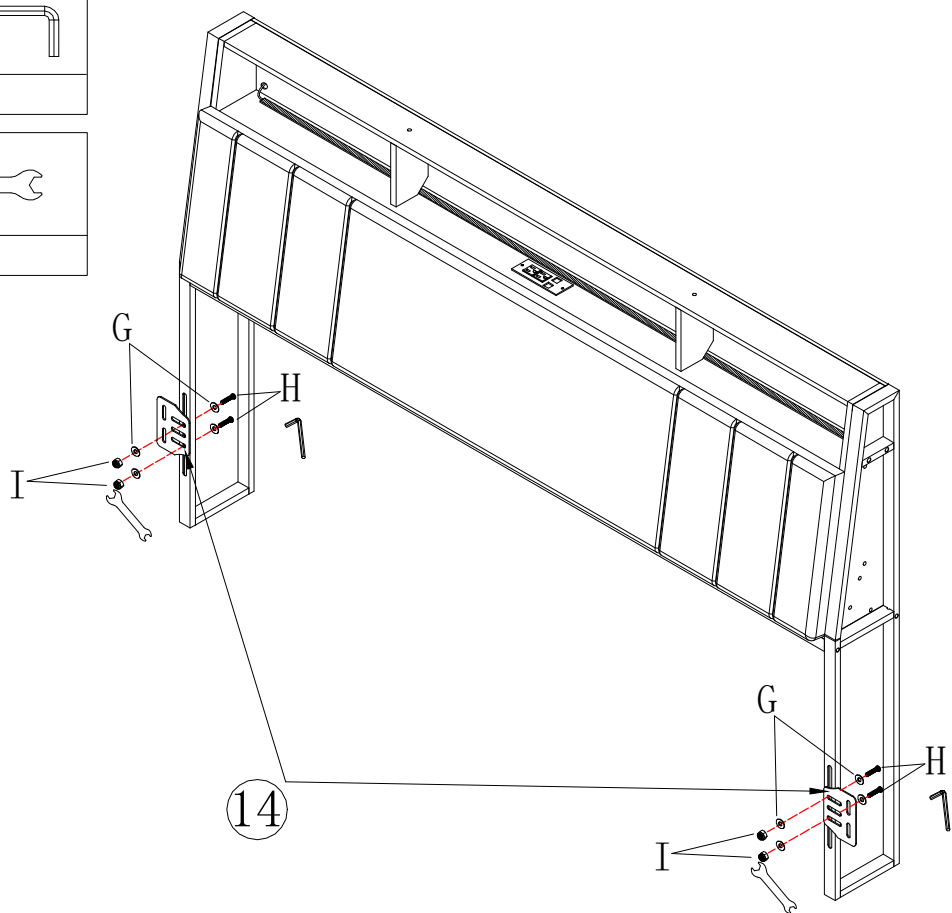
Please tighten all screws at the end of each screw alignment.




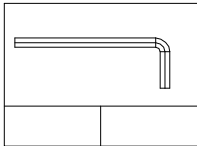





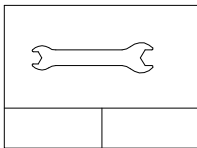
	
M8x50mm	
H	4PCS
	
ø8	
G	8PCS
	
M8	
I	4PCS




	
M8x50mm	
H	4PCS



	
ø8	
G	8PCS



	
M8	
I	4PCS

