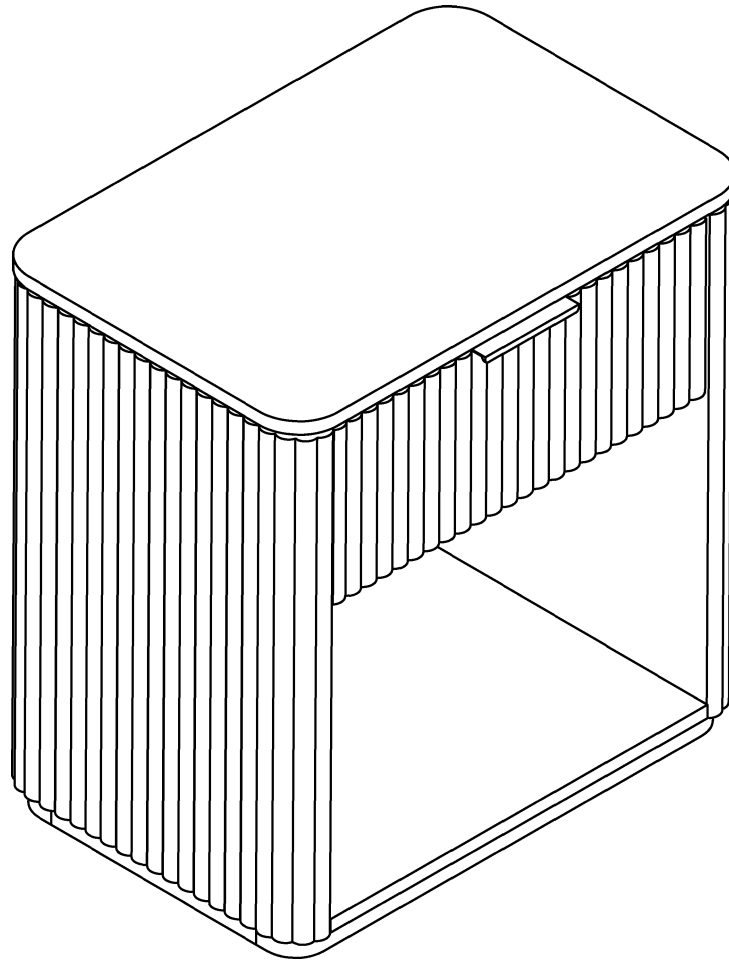


# Installation & Assembly



**INSTRUCTION MANUAL**

## WARNING

- You need a helper to finish the installation.
- DO NOT let children climb the product.
- To avoid suffocation danger, keep small parts and package materials away from children.
- Adult assembly required. Keep children away during the installation.
- You could use "corner guard" to protect children from getting hurt by the product's edges.
- Carefully separate and identify all the parts included in your package. Confirm that you have all the components listed in the instruction manual. If any parts were missing, broken or wrong delivered, contact us immediately, we are here to help you.

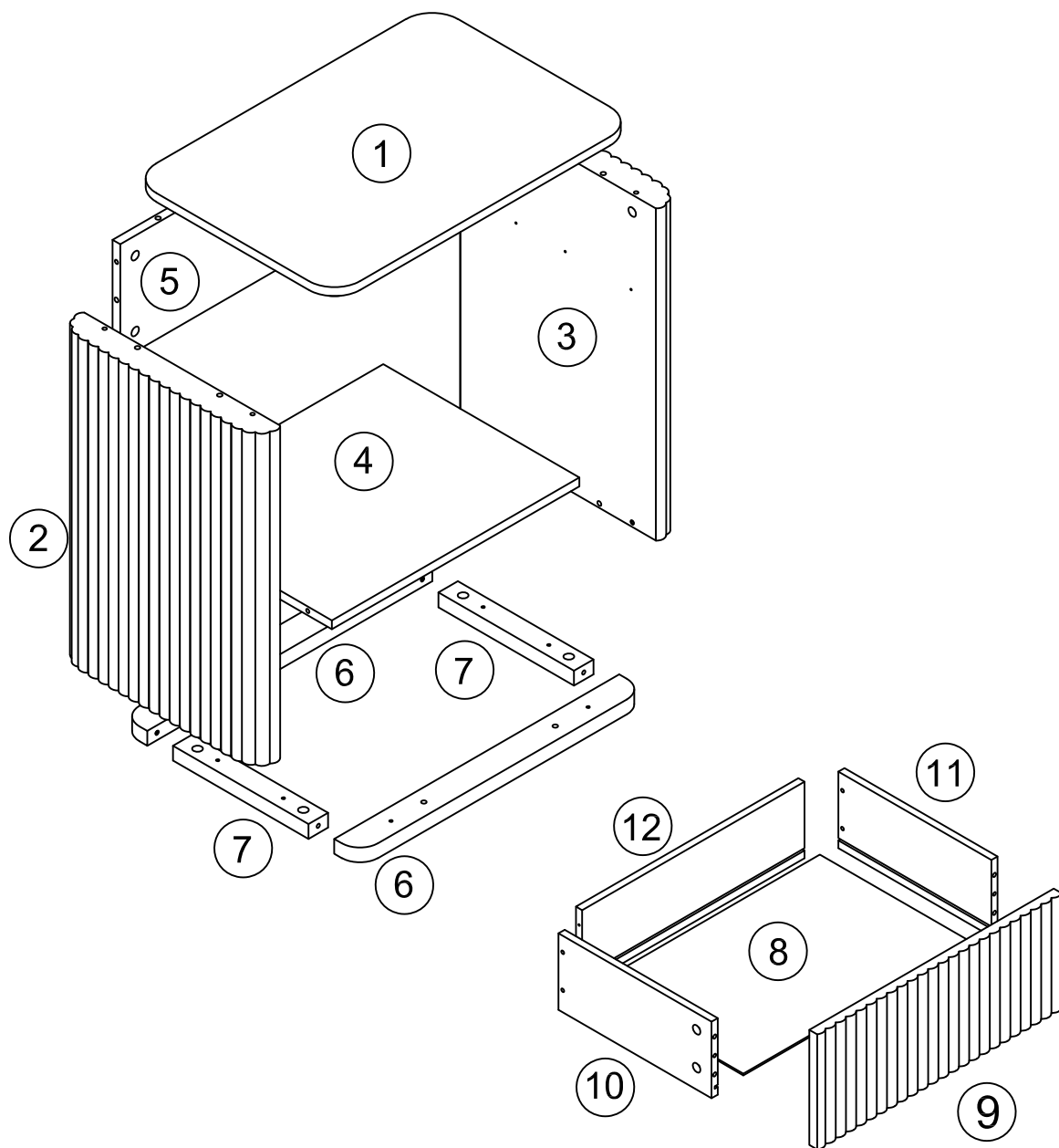
## Assembly Instructions

**Before beginning the assembly process, please read and save these instructions for reference.**

**Following these guidelines will ensure a smooth and successful assembly of your product.**

- **Work Surface** : To prevent any scratches or damage to the product, assemble it on a soft mat or a similar protective surface. This will provide a cushioned area for the components and protect the surfaces from unwanted marks.
- **Step - by - Step Assembly** : Follow the assembly instructions provided, proceeding one step at a time. Take care to understand each step properly before proceeding to the next one. This sequential approach ensures that the assembly is done correctly and minimizes the chance of errors.
- **Proper Screw Seating** : When attaching screws and nuts, it is essential not to fully tighten them until all screws are correctly seated. By partially tightening each screw and nut initially, you can ensure that they are aligned properly and fit securely before final tightening.
- **Avoid Over - Tightening** : While each screw and nut should be tightened correctly, it is crucial not to over - tighten them. Over - tightening can cause damage to the product or compromise its structural integrity. Use the appropriate amount of force to secure the components without excessive tightening.

# Parts List

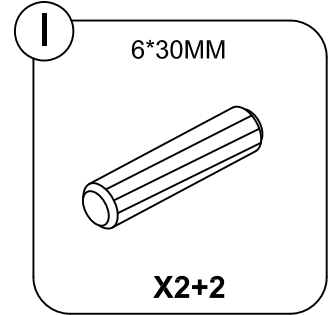
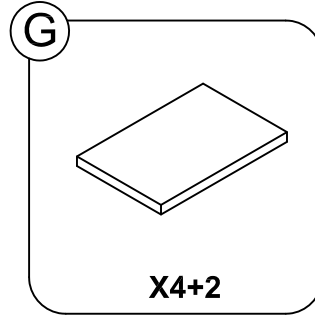
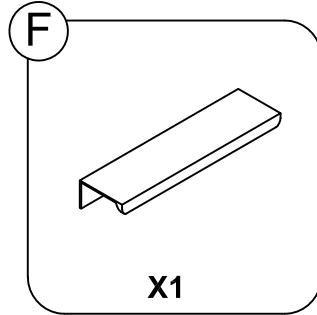
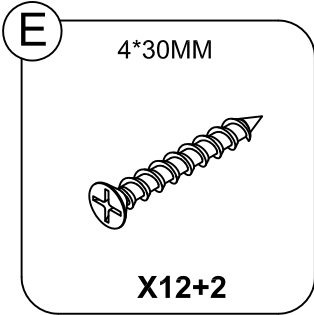
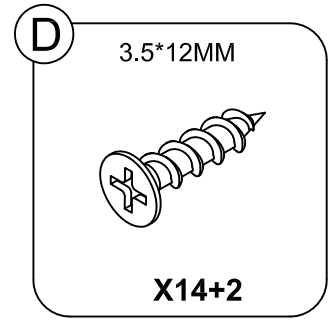
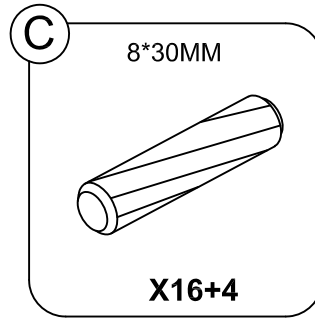
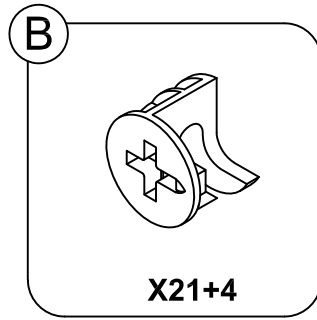
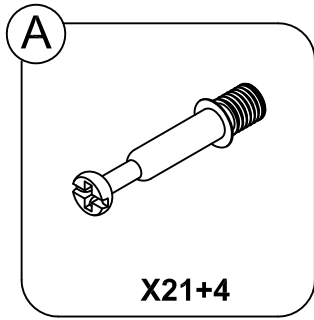


TOOLS  
REQUIRED

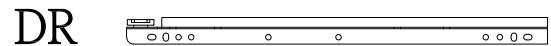
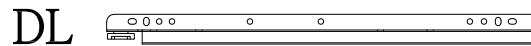
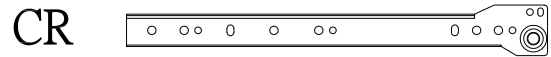


2 PERSON  
ASSEMBLY

# Hardware



Don't confuse hardware left with right.

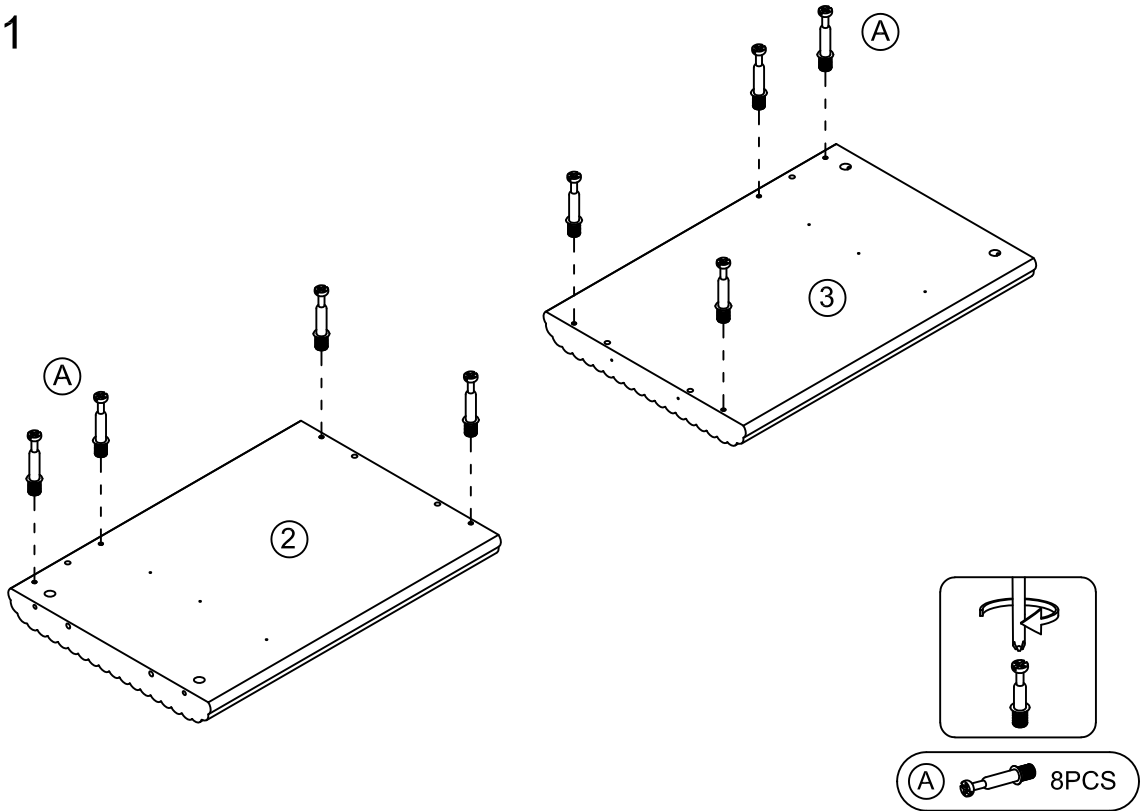


**(H) X1**

If your order is double pcs package, the hardwares above will be double quantity as well.

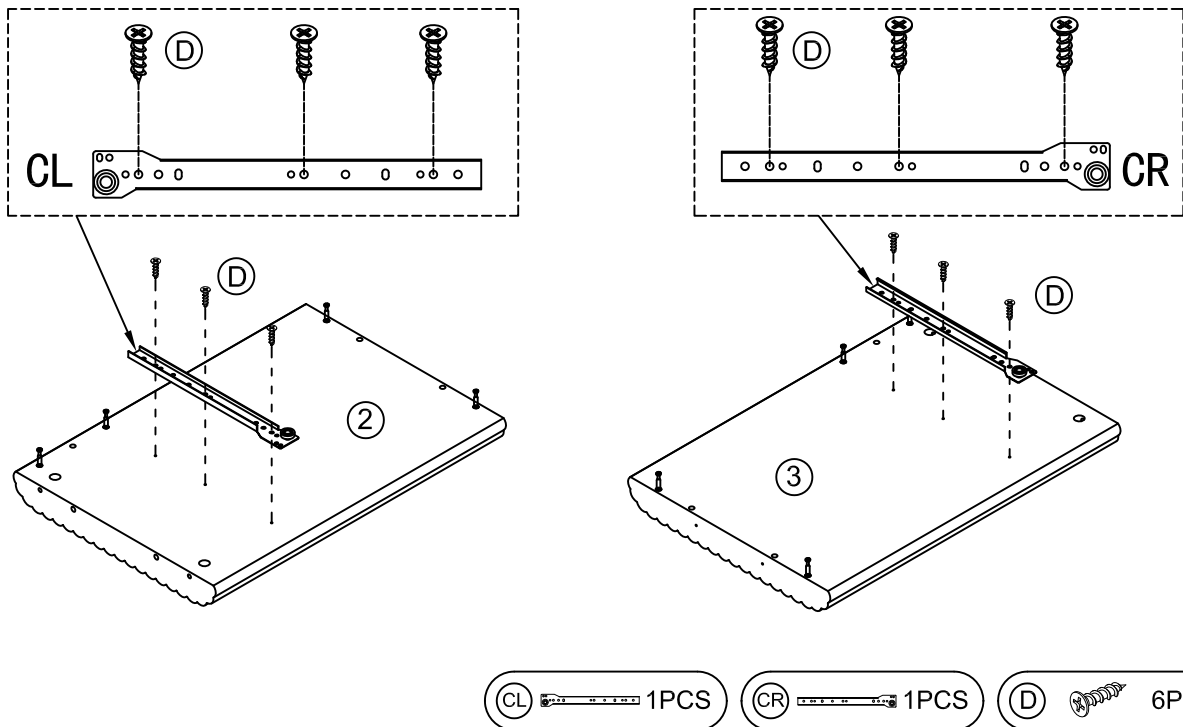
# INSTALLATION STEPS

## Step 1



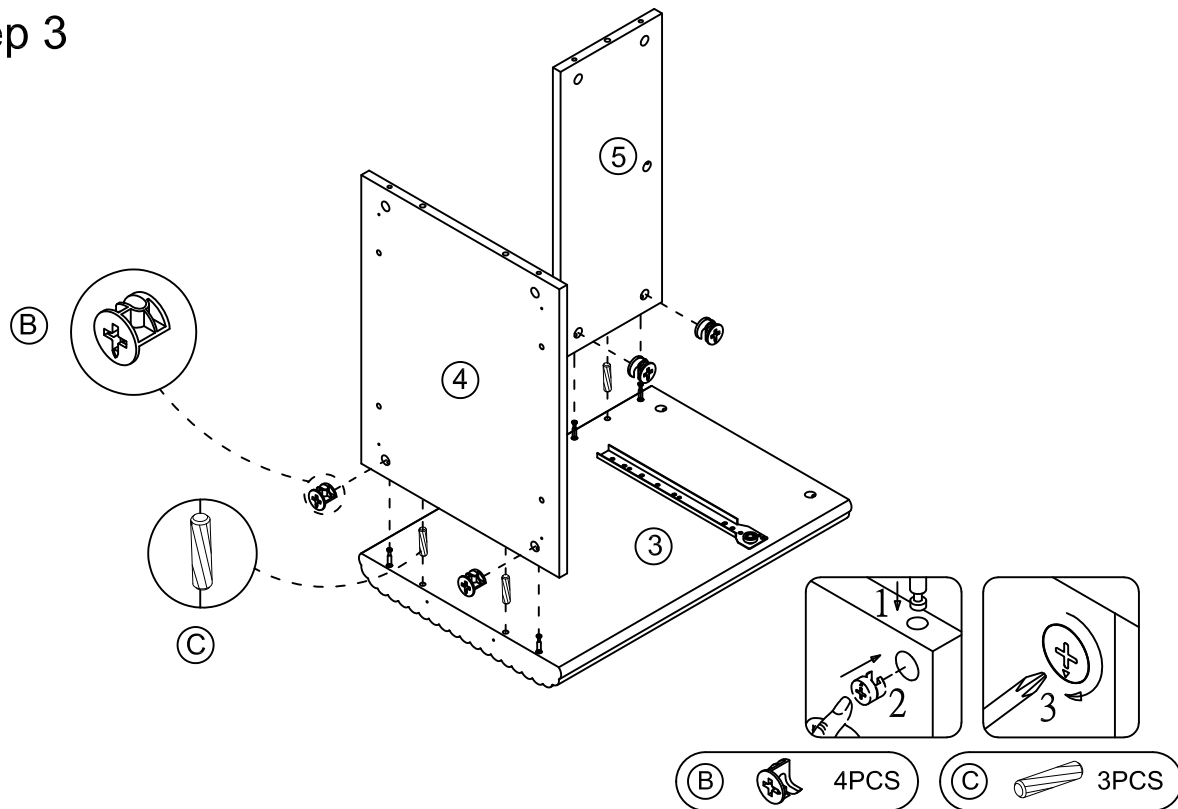
## Step 2

Don't confuse hardware left with right.

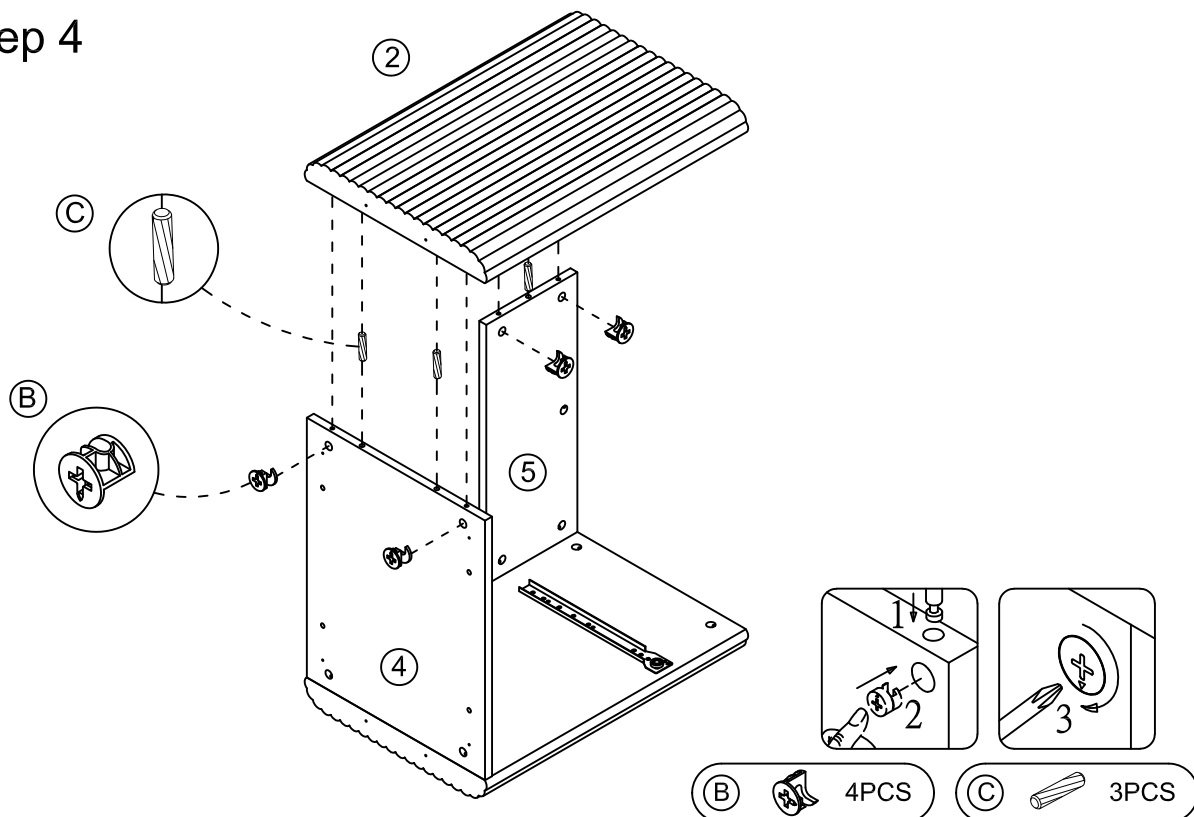


# INSTALLATION STEPS

## Step 3

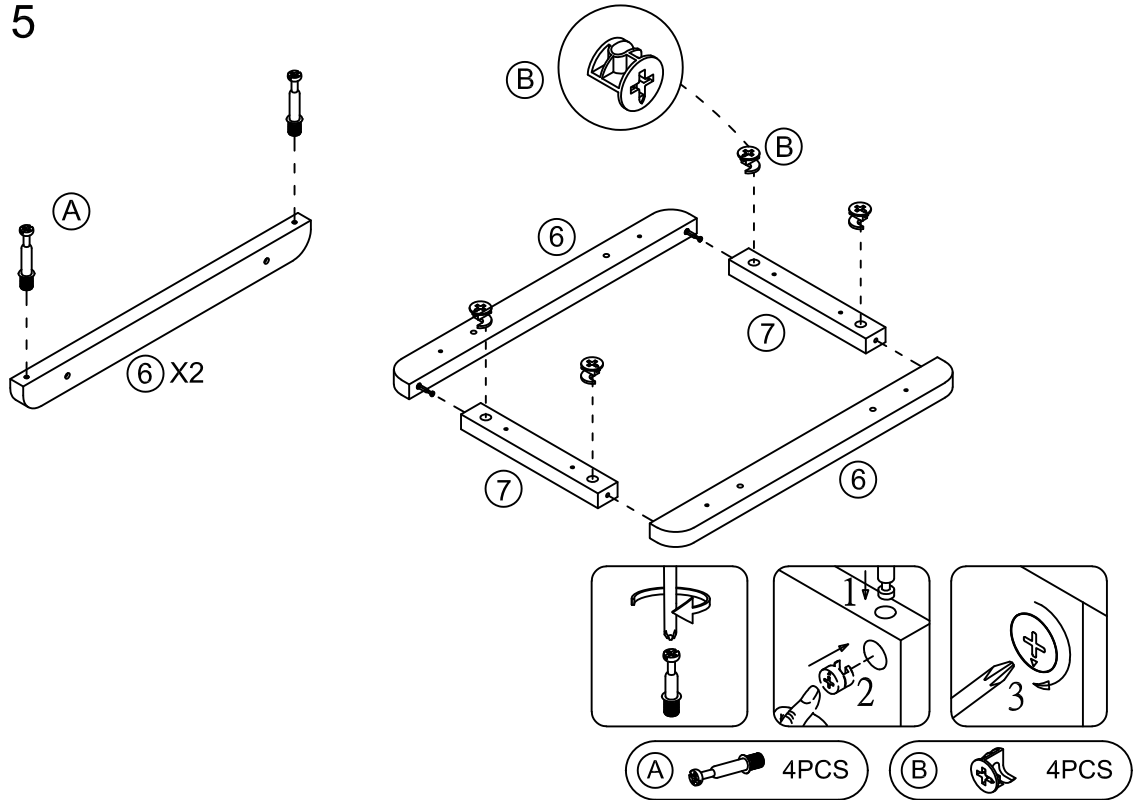


## Step 4

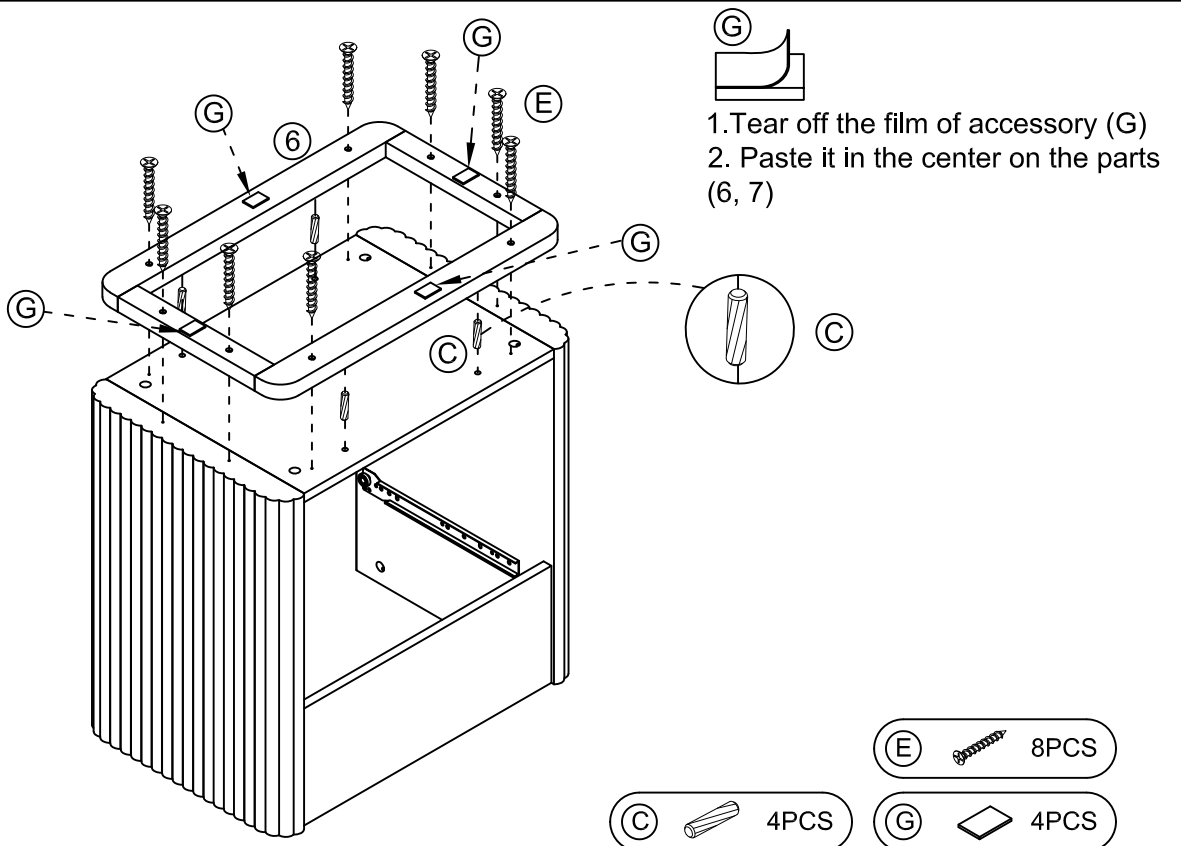


# INSTALLATION STEPS

## Step 5

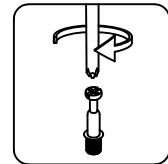
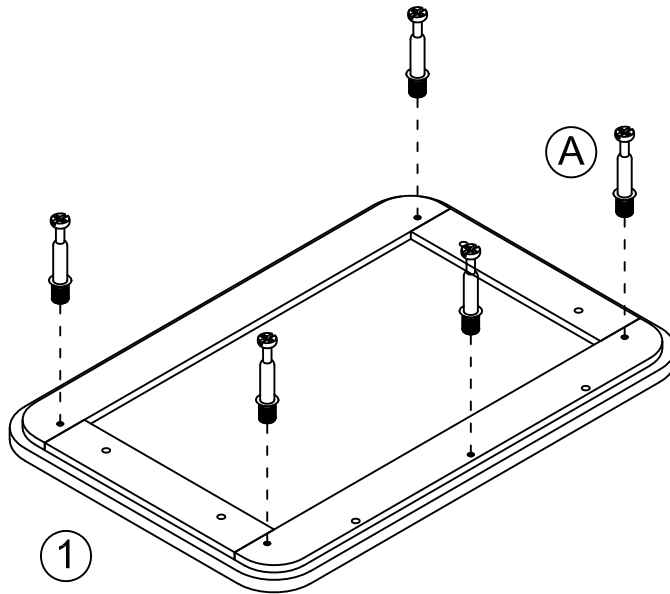


## Step 6



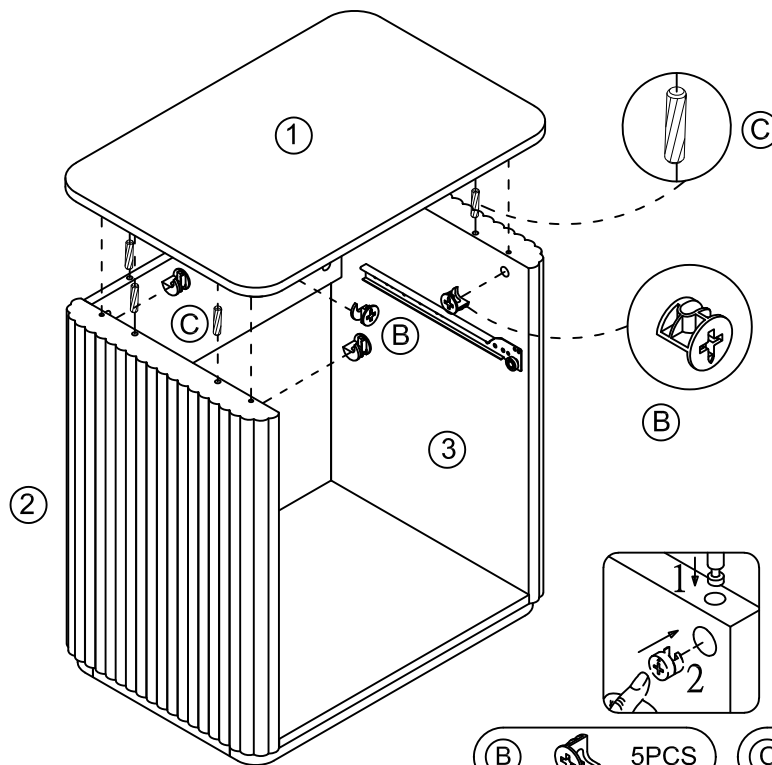
# INSTALLATION STEPS

## Step 7



(A) 5PCS

## Step 8

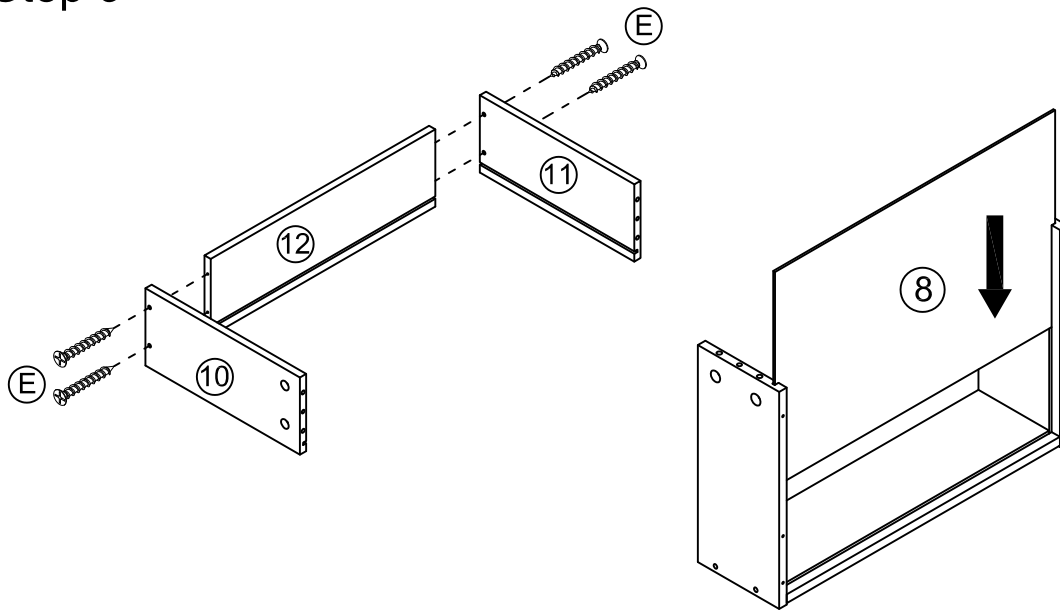



(B) 5PCS

(C) 6PCS

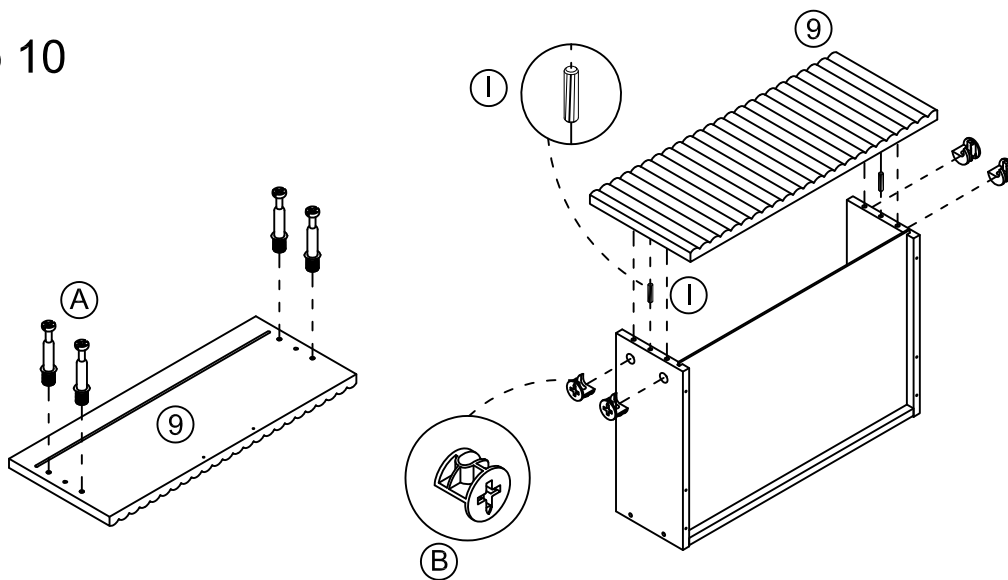
# INSTALLATION STEPS


## Step 9




(E)  4PCS

## Step 10



(A)  4PCS

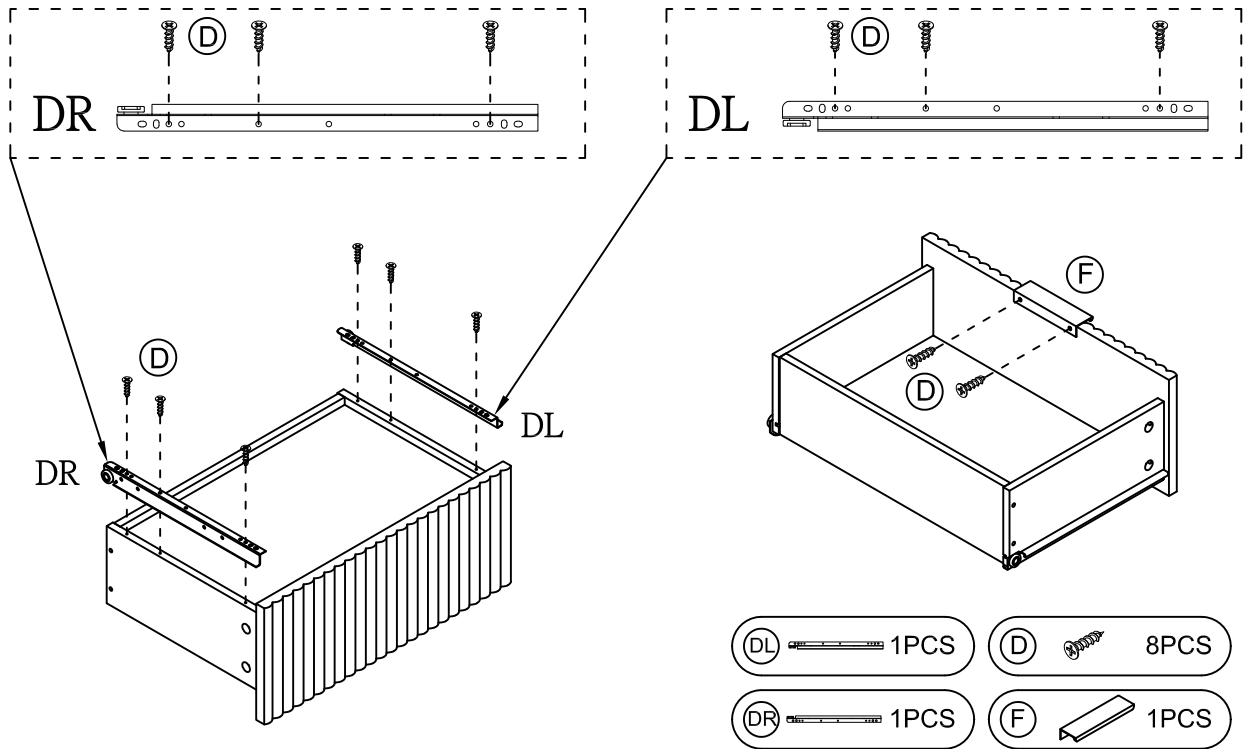
(B)  4PCS

(I)  2PCS

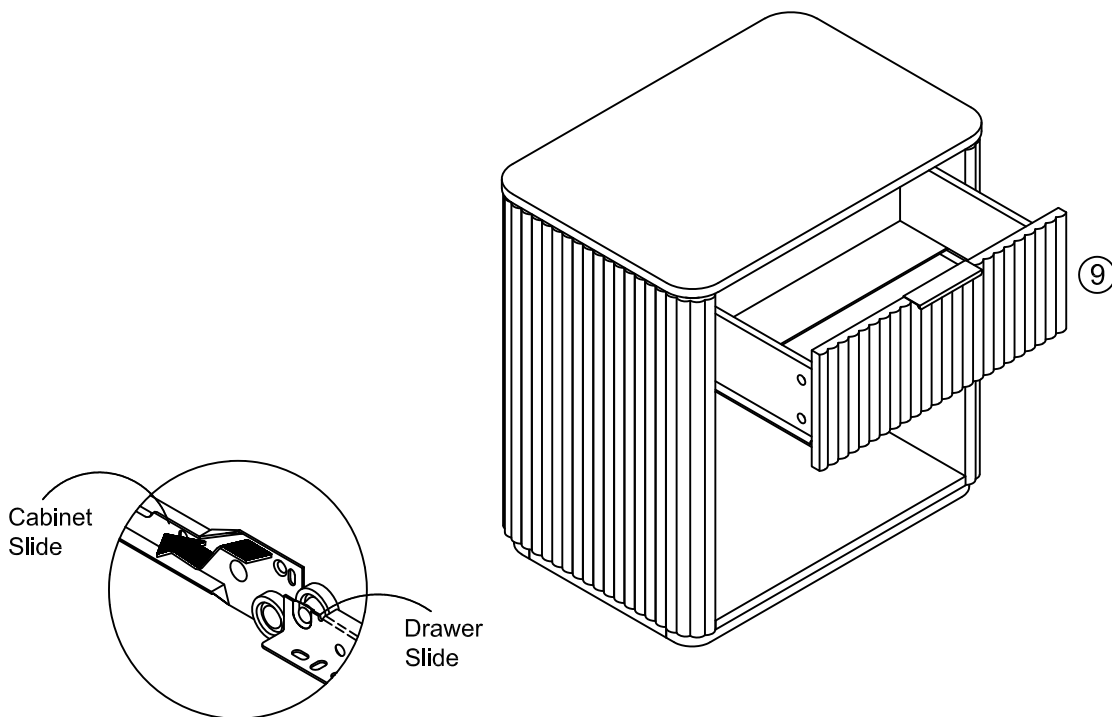
# INSTALLATION STEPS

## Step 11

Don't confuse hardware left with right.



## Step 12



# INSTALLATION STEPS

