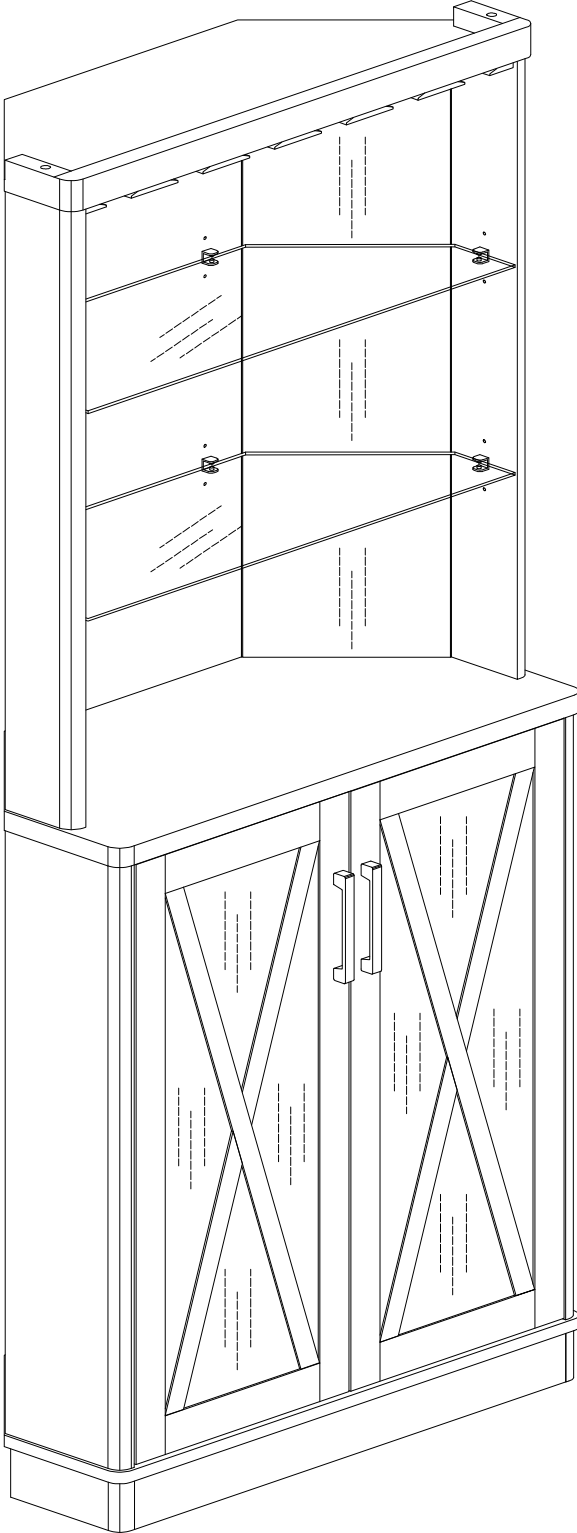
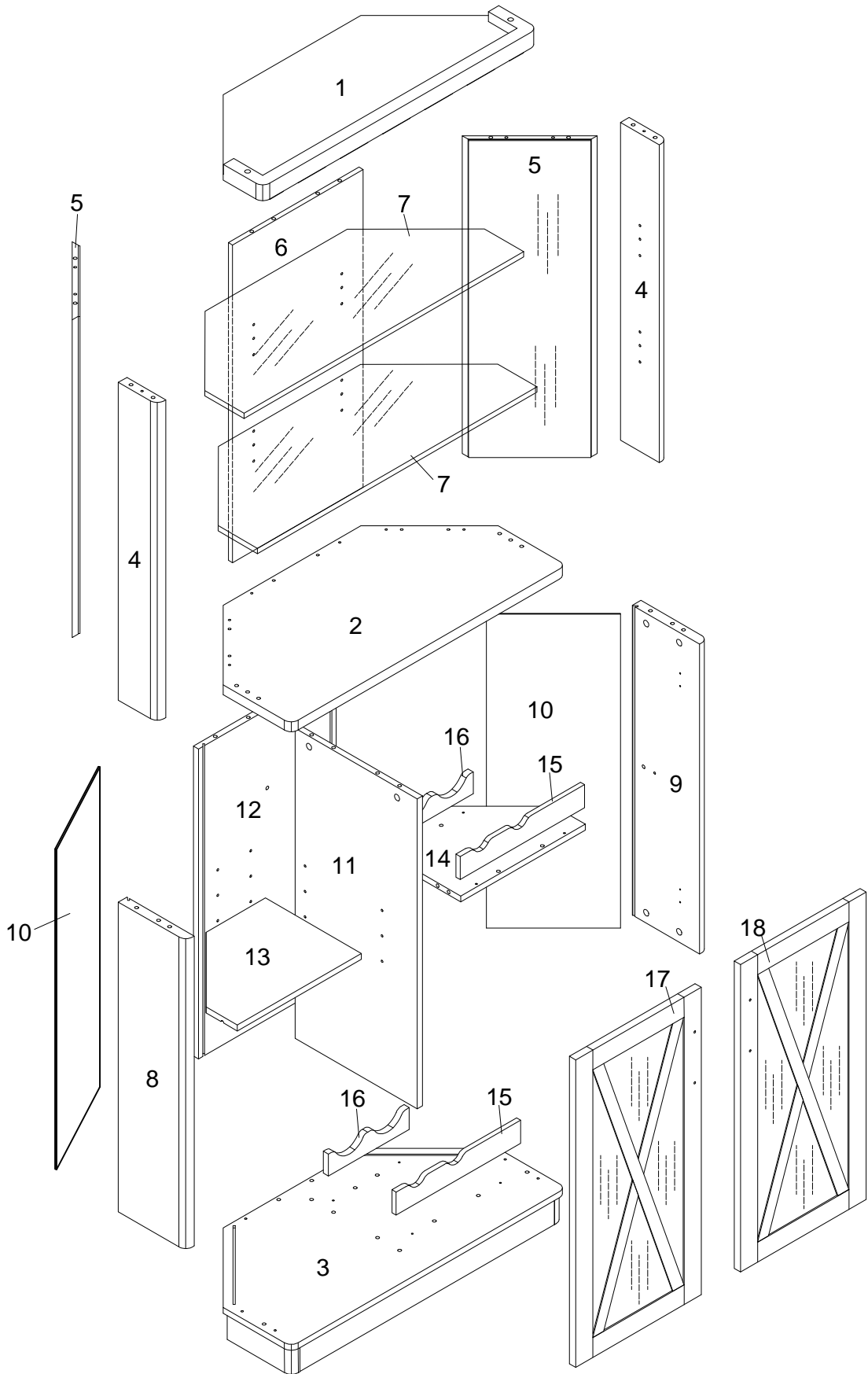








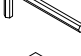








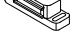

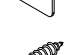



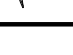

ASSEMBLY INSTRUCTION



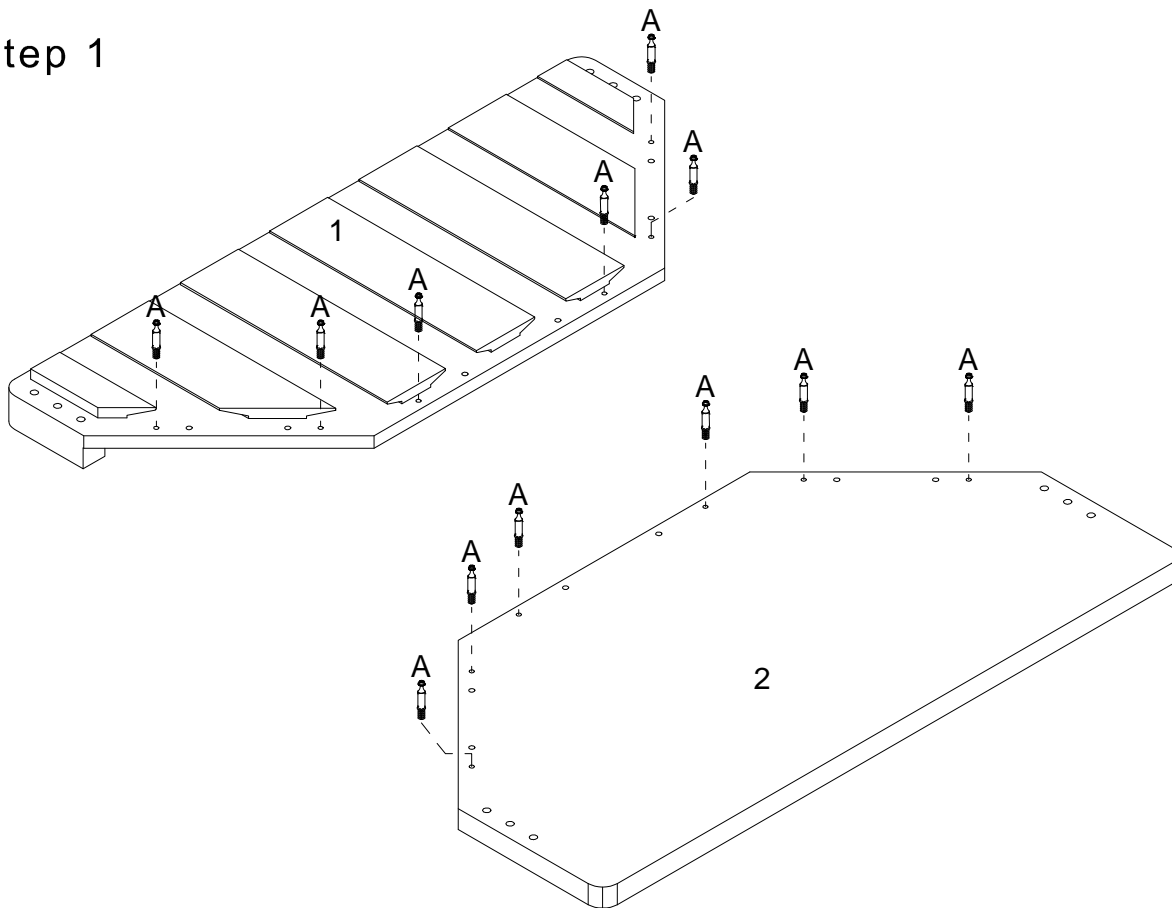
# Parts List



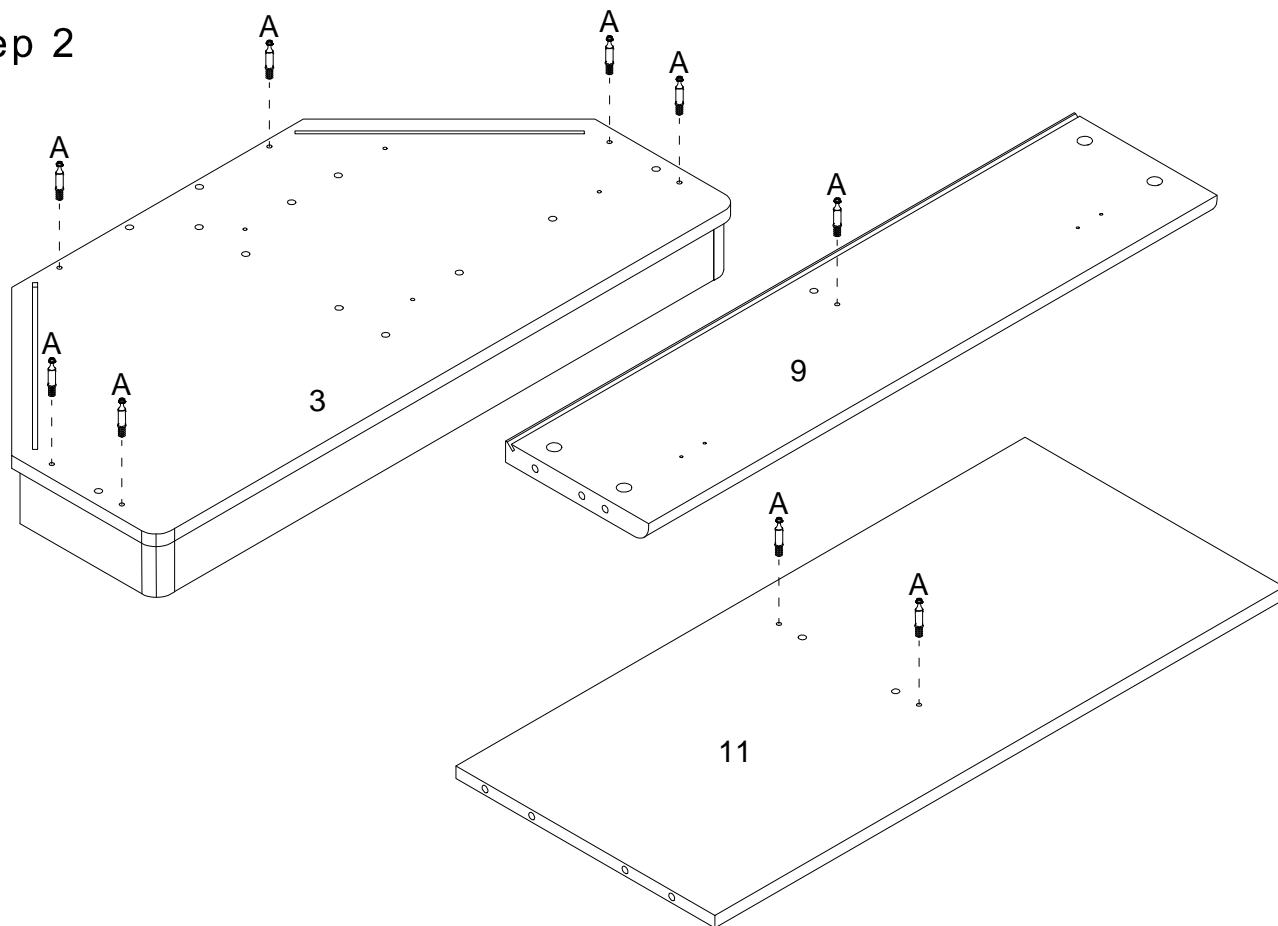
## Hardware List

A		Ø5*25mm	Bolt	29 pcs
B		Ø15*11mm	Nut	17 pcs
C		Ø15*9mm	Nut	12 pcs
D		Ø8*30mm	Wood Dowel	31 pcs
E		Ø6*30mm	Wood Dowel	12 pcs
F		Ø6*50mm	Bolt	8 pcs
G		M4	Allen Key	1 pc
H			Glass support	8 sets
I		Ø5*16mm	Shelf Support	5 pcs
J		Ø26mm	Hinge	4 pcs
K		Ø4*15mm	Screw	16 pcs
L		Ø4*30mm	Screw	8pcs
M		137*15*19mm	Handle	2 pcs
N		5/23*24mm	Bolt	4 pcs
O		Ø3*17mm	Screw	8 pcs
P			Back Clip	8 pcs
Q		44*16*12mm	Magnet	2 pcs
R		Ø3.5*15mm	Screw	4 pcs
S		30x22x1mm	Iron Sheet	2 pcs
T		Ø3*12mm	Screw	2 pcs
U			Glue	1 pc
V			Paper Cover	10 pcs
W			Anti-Tipping Kit	2 sets

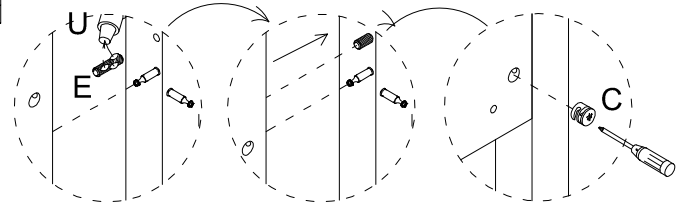
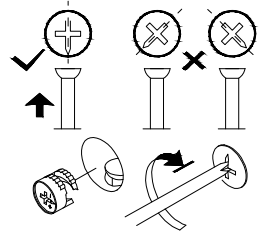
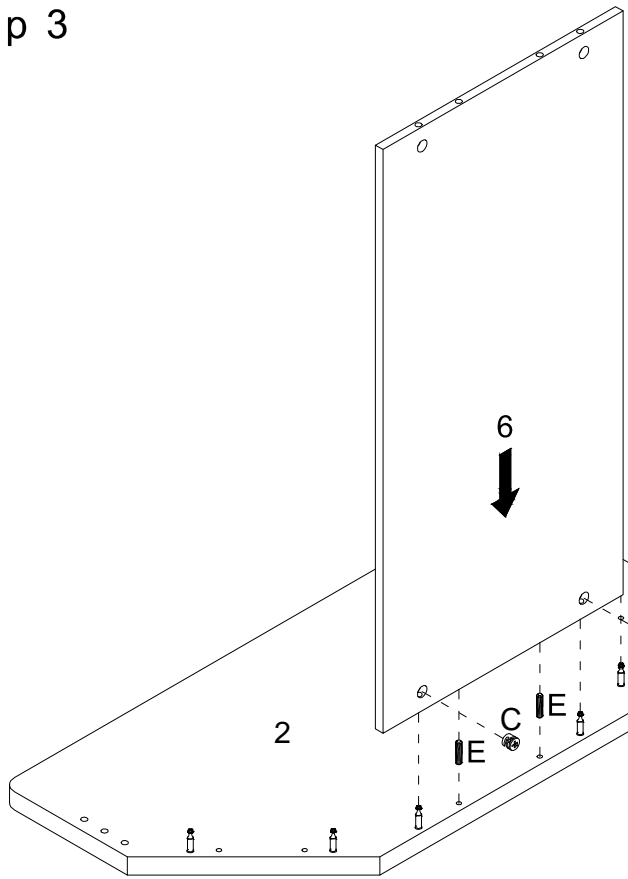
# Step 1



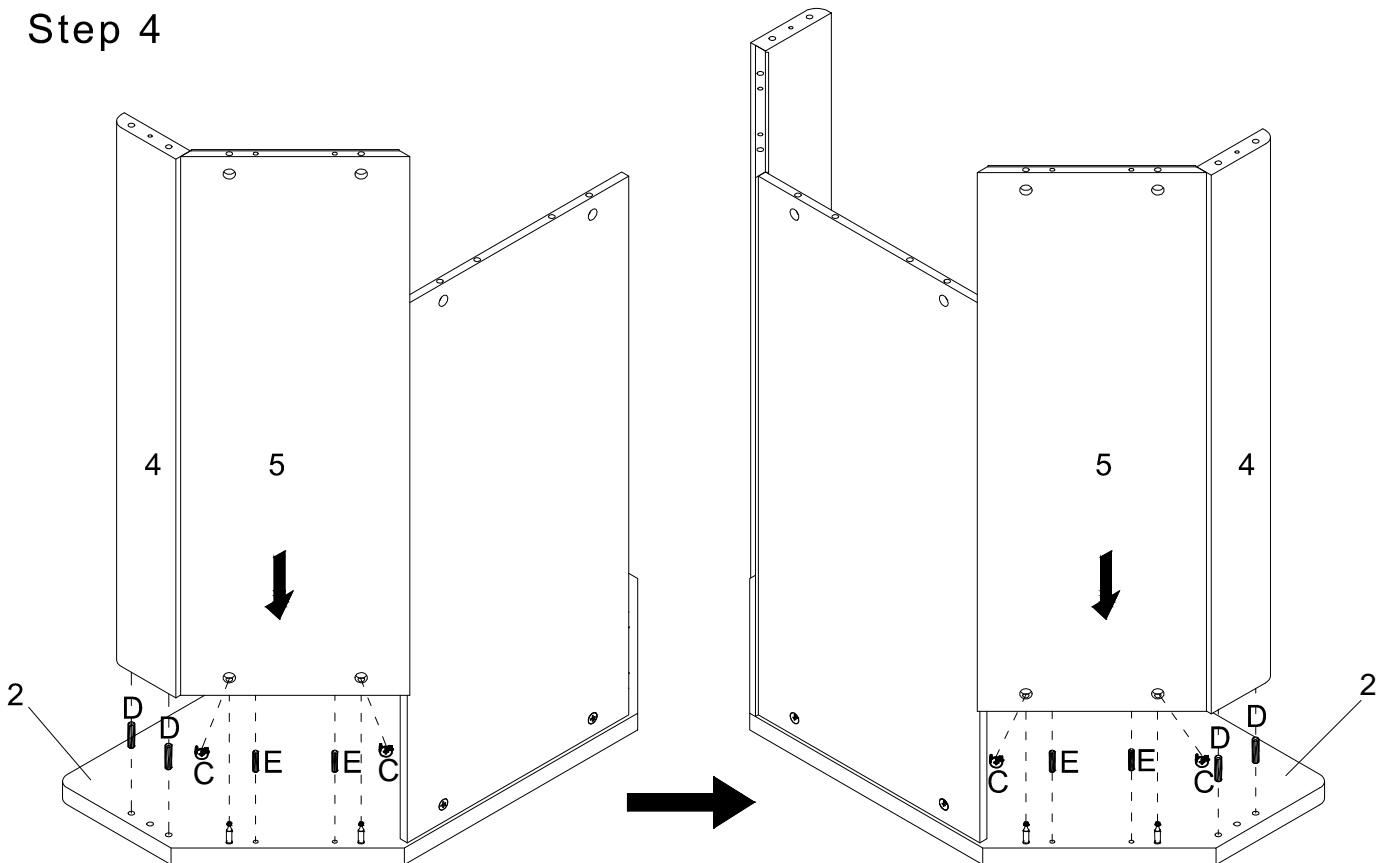
# Step 2



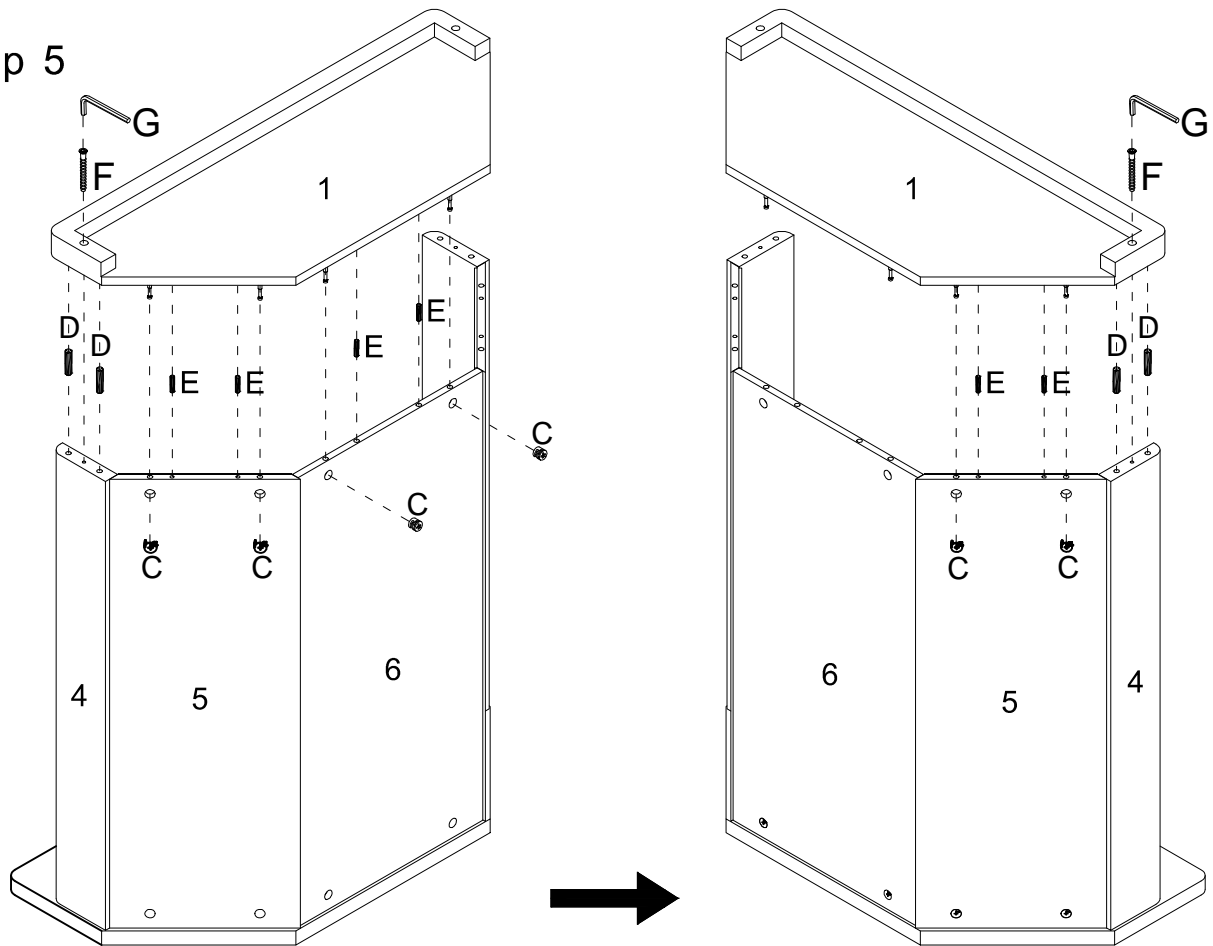
### Step 3



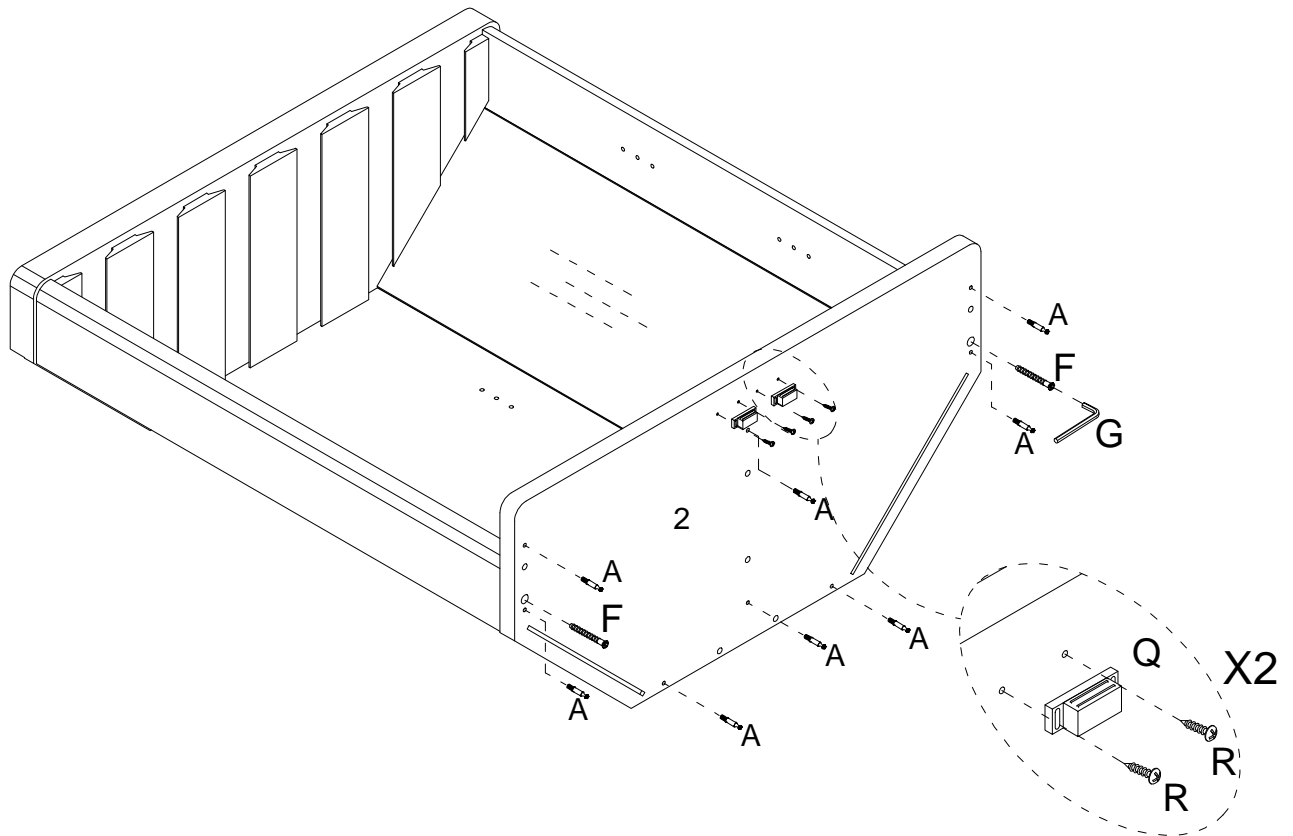
### Step 4



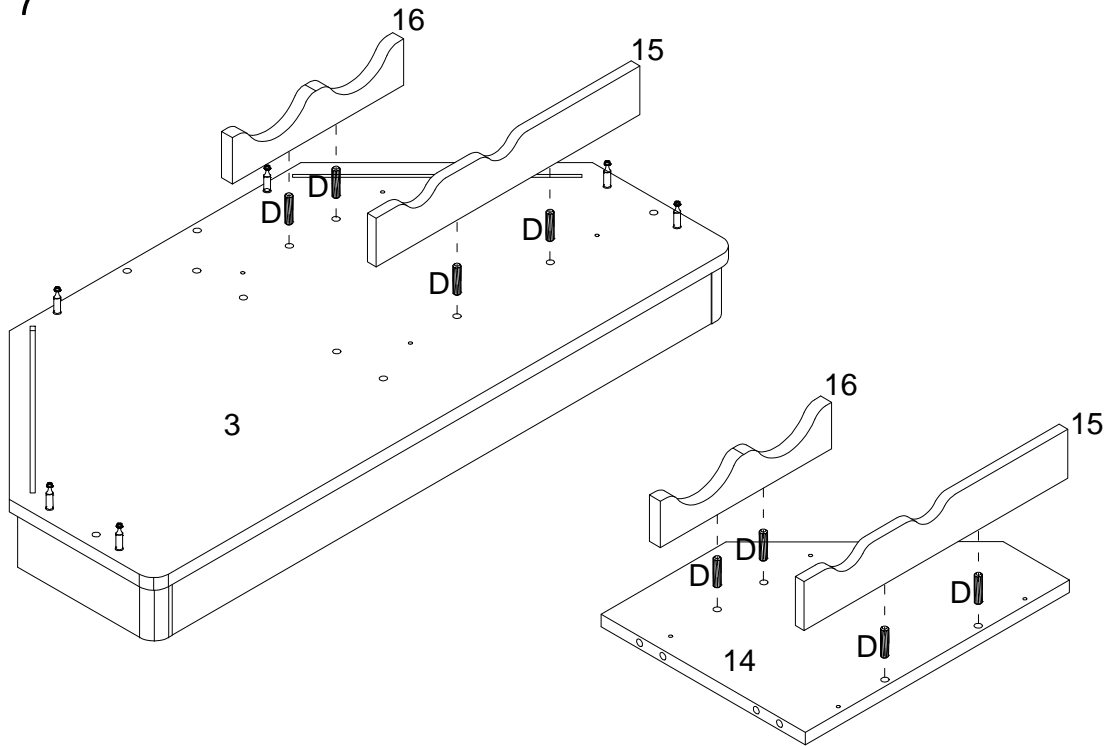
### Step 5



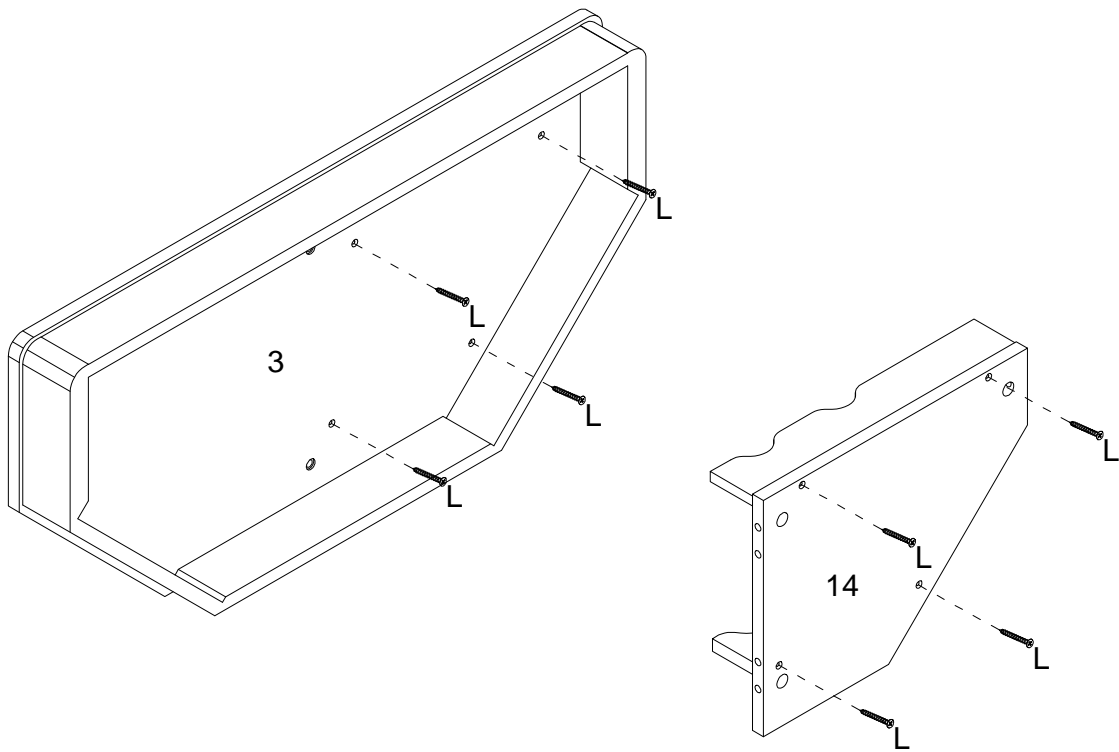
### Step 6



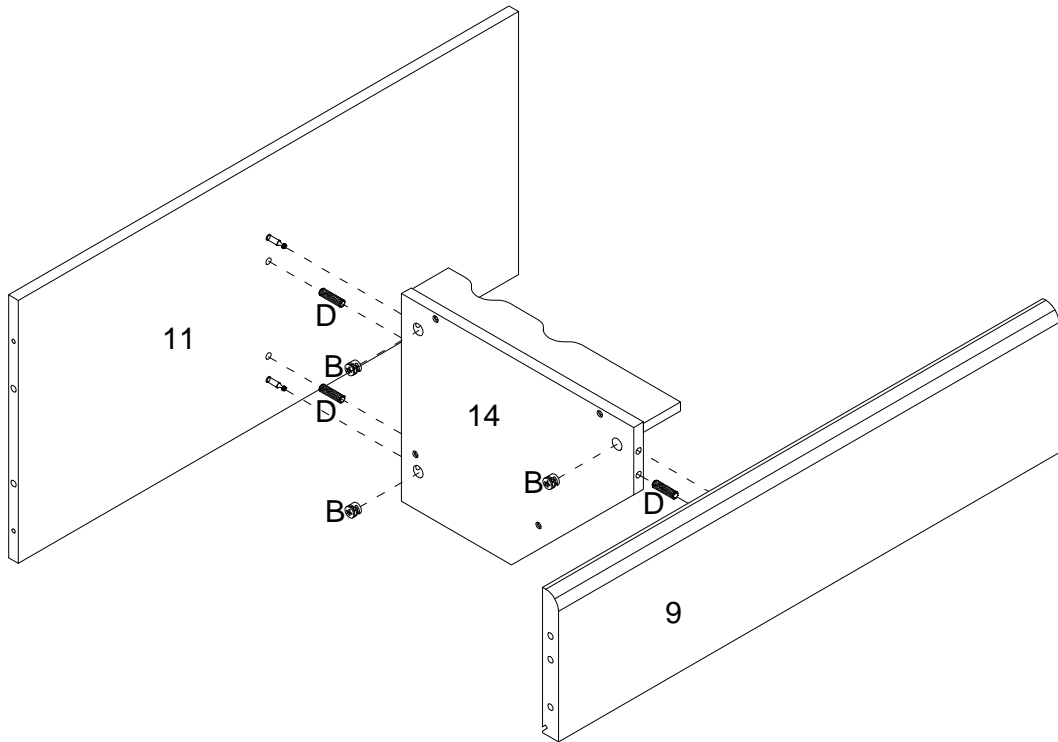
## Step 7



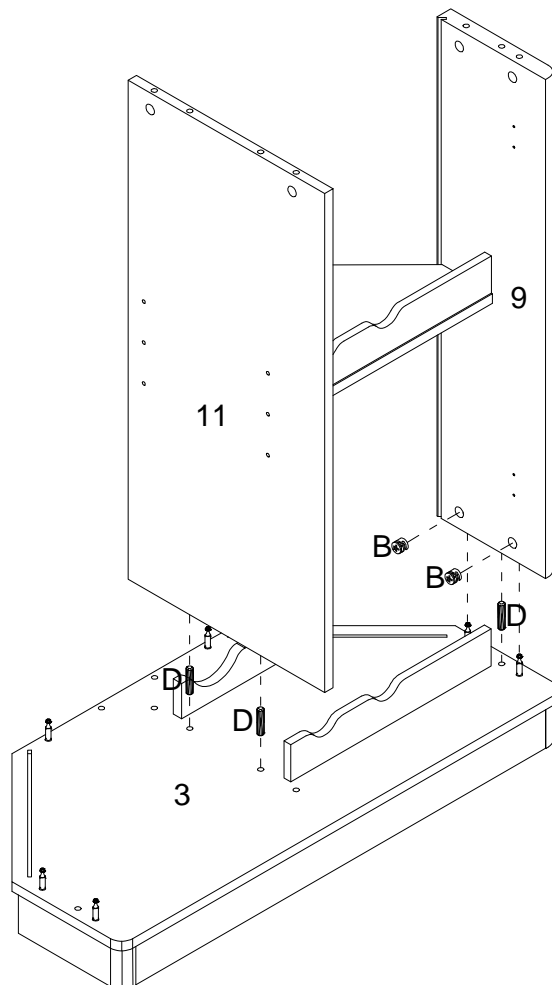
## Step 8



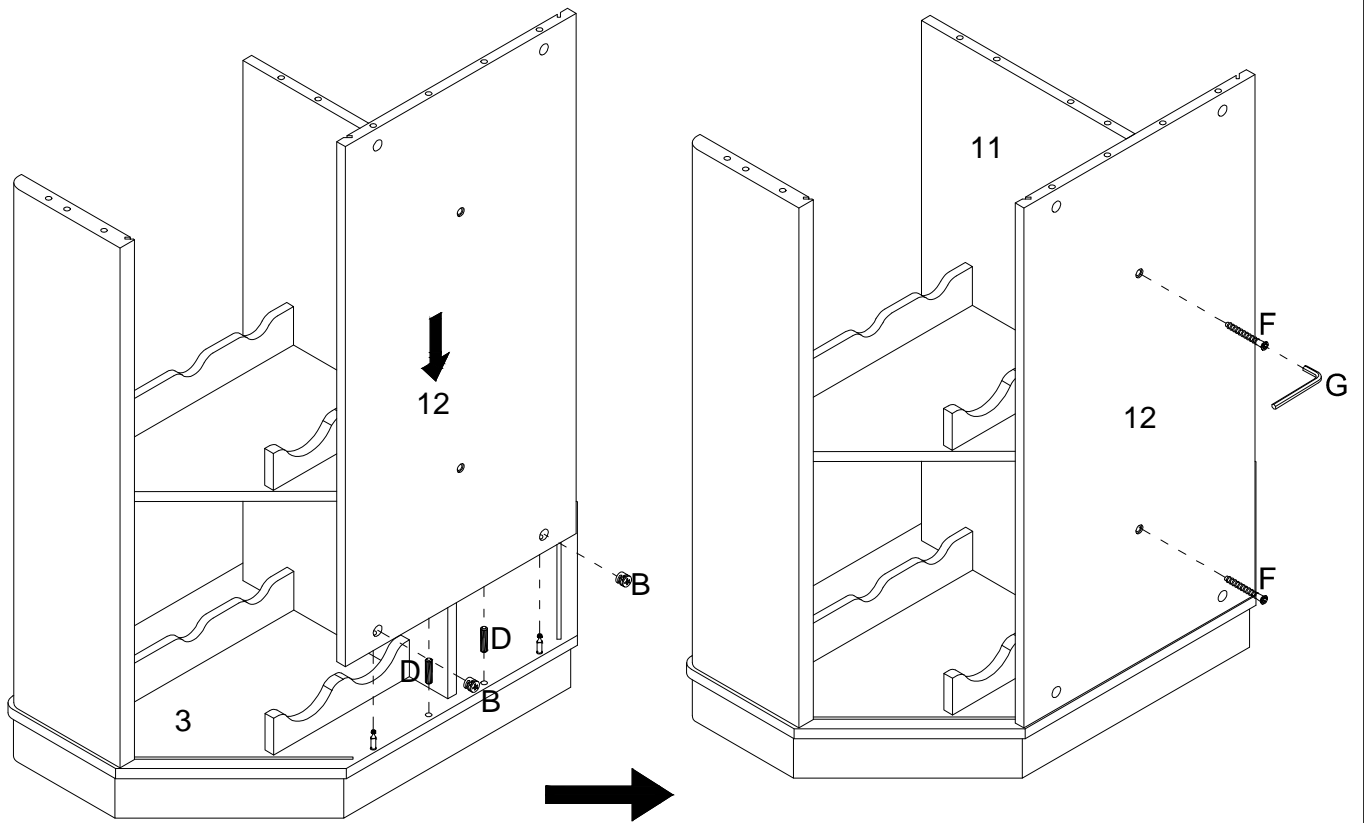
## Step 9



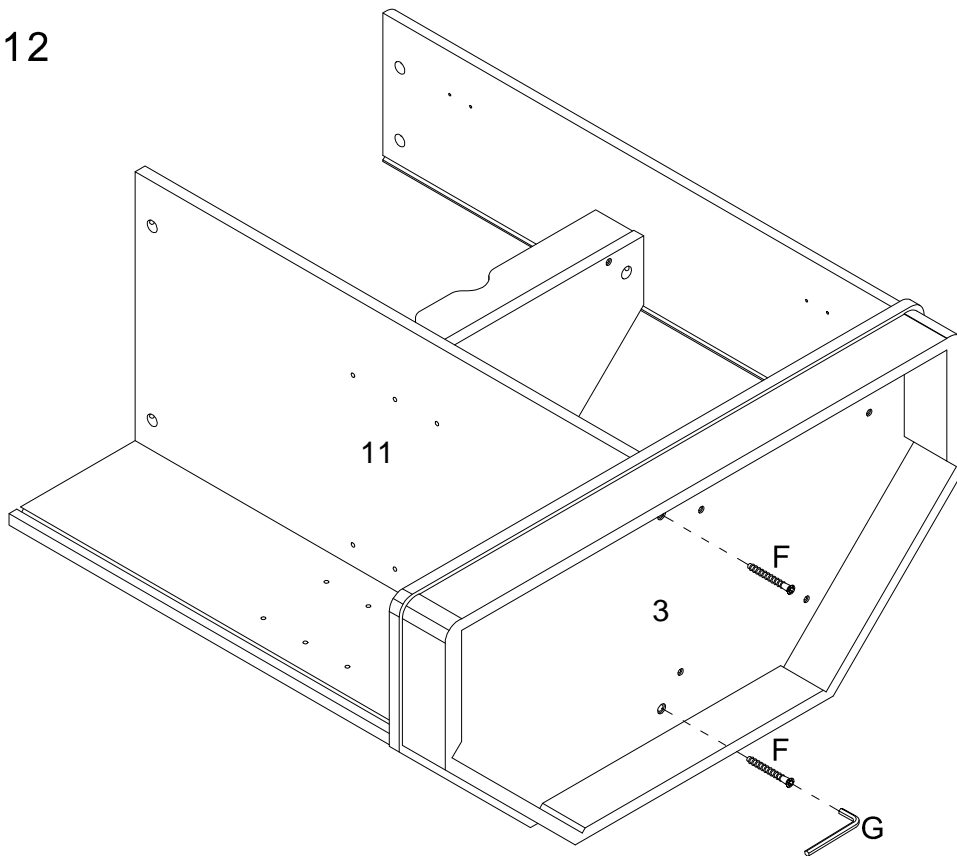
## Step 10



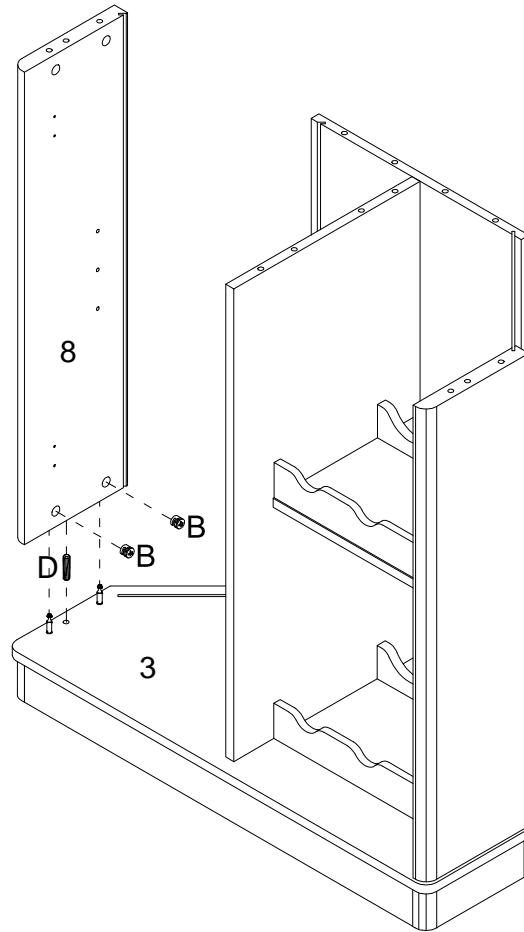
## Step 11



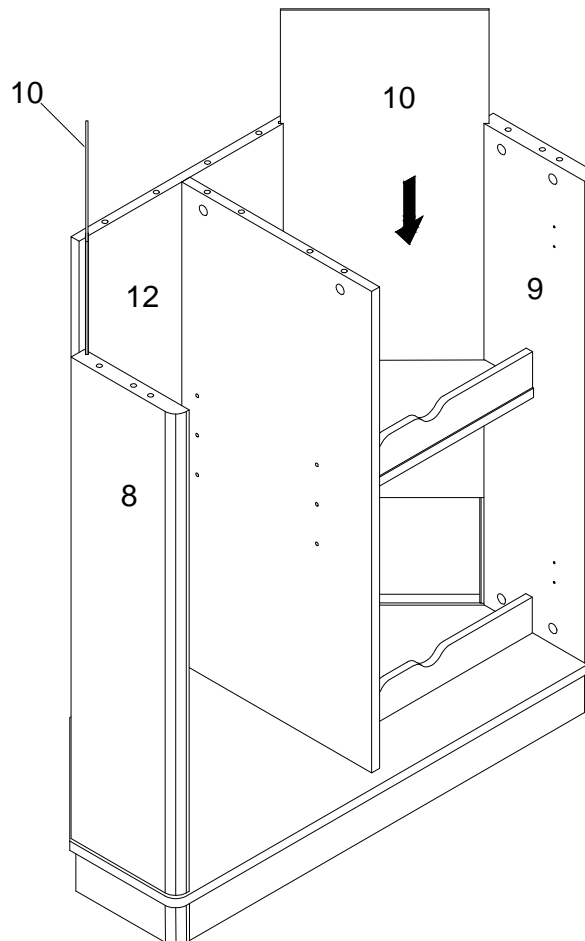
## Step 12



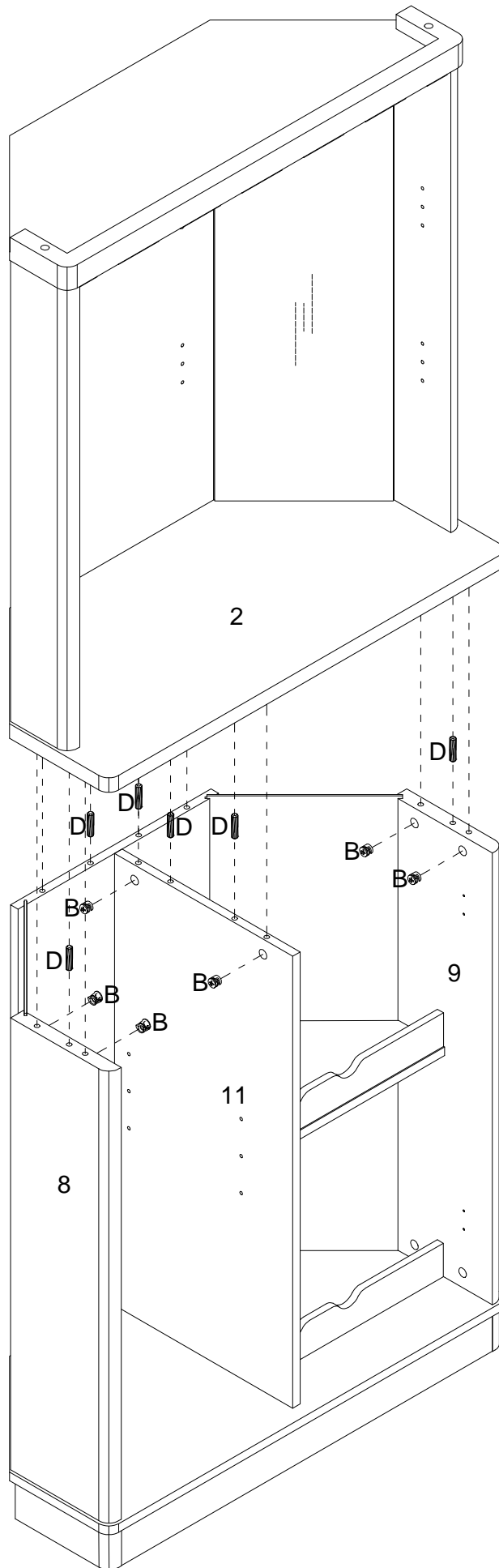
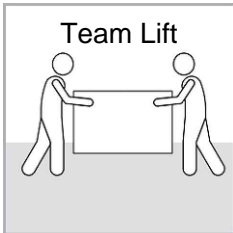
### Step 13



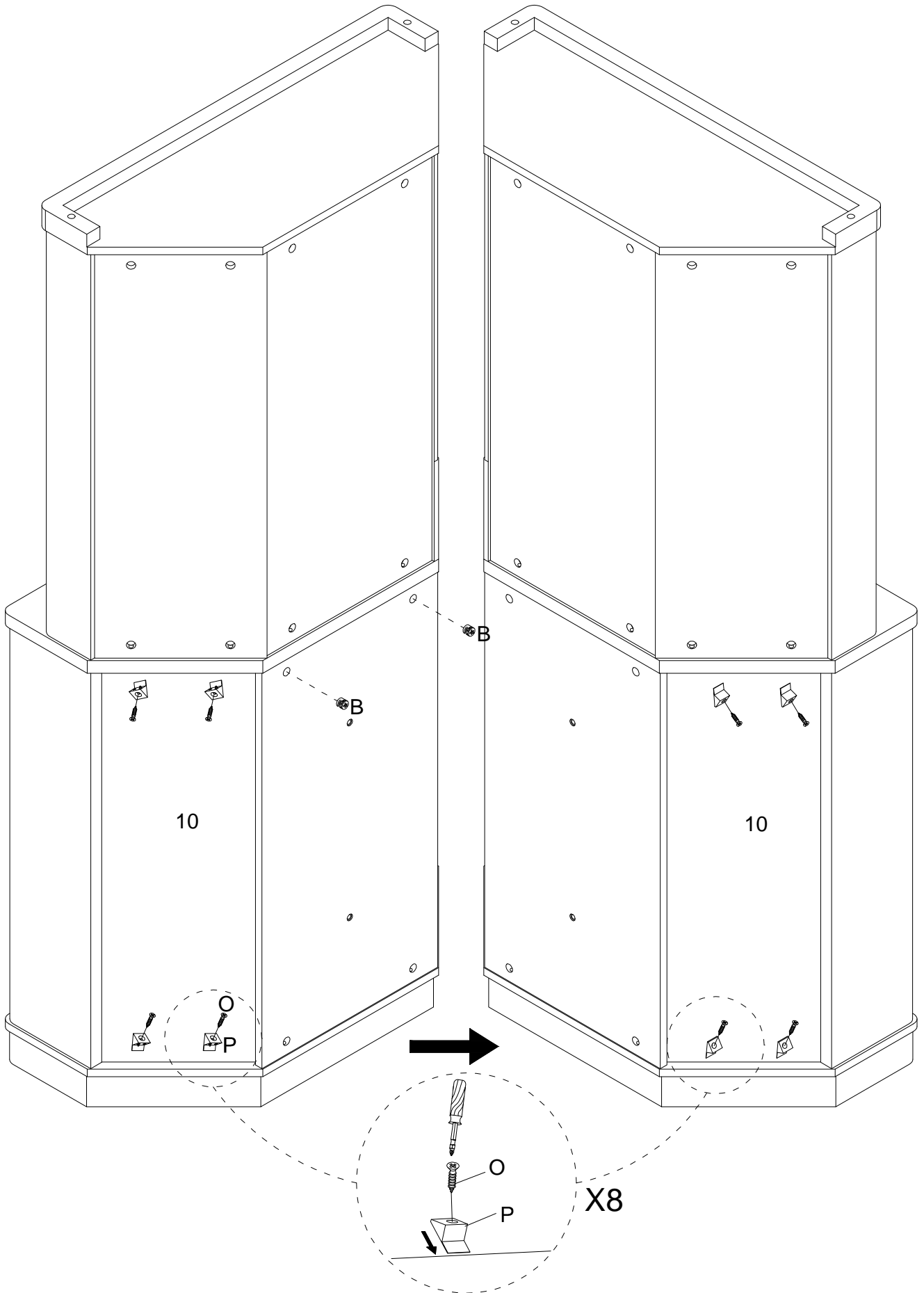
### Step 14



# Step 15

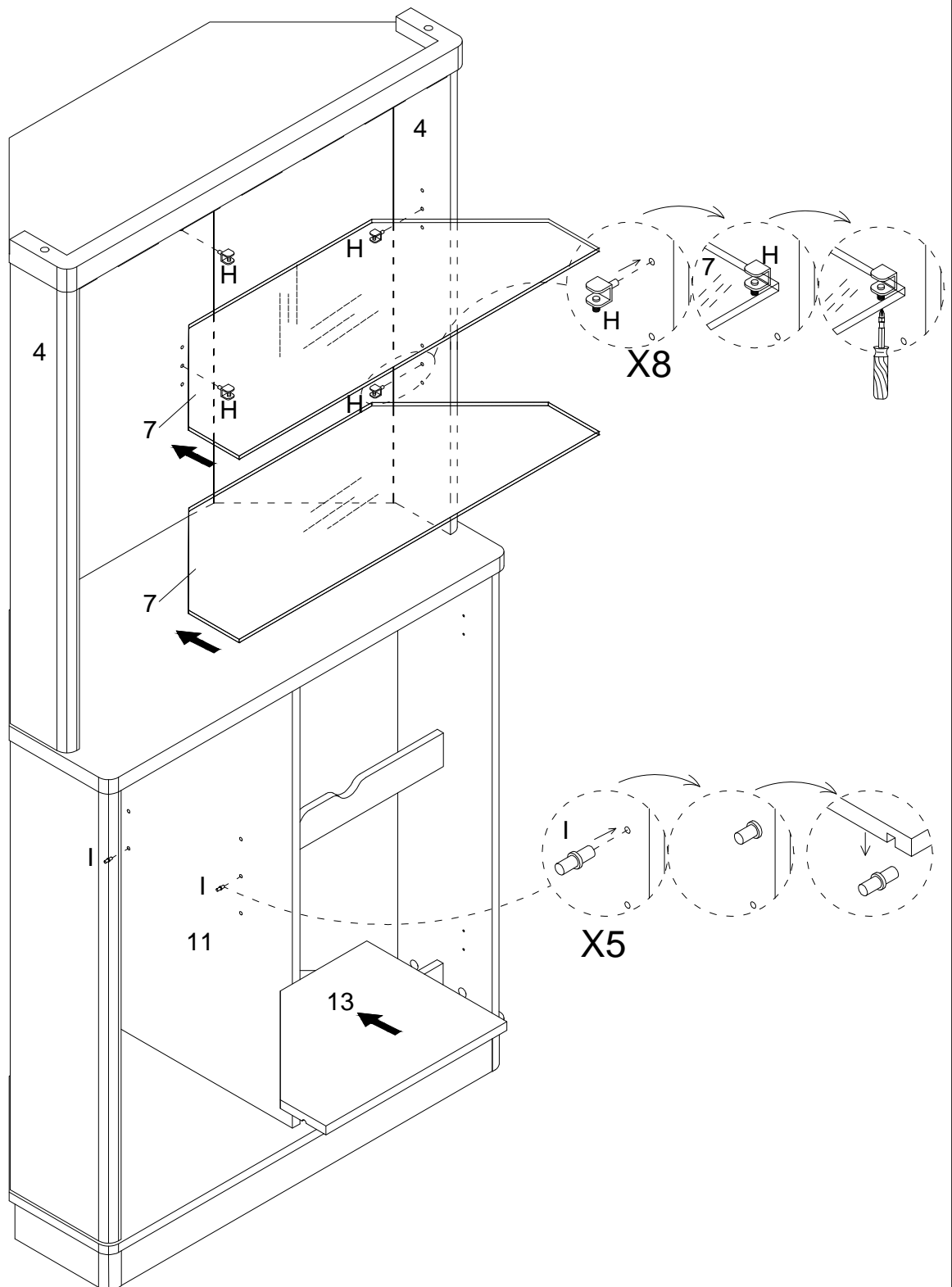


# Step 16

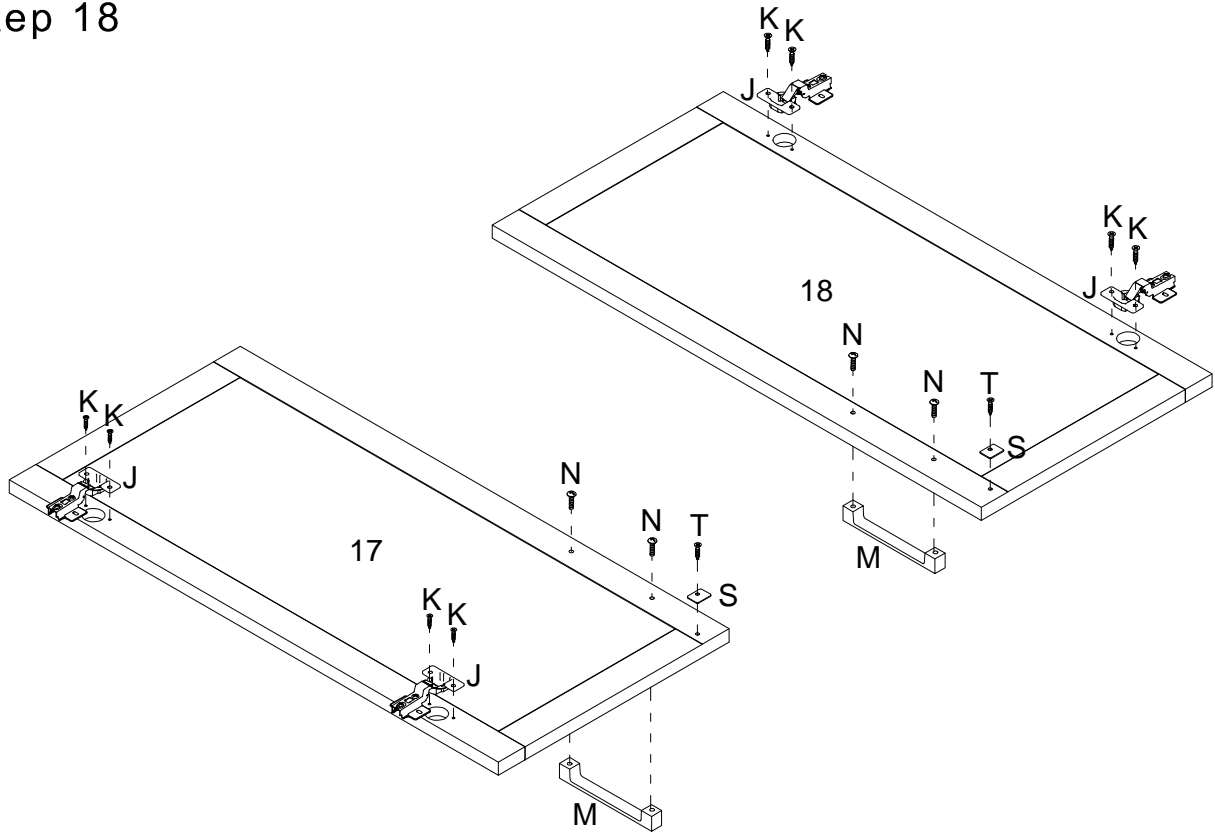


## Step 17

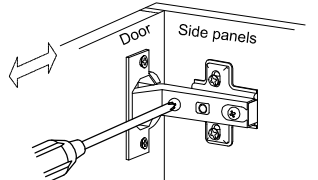
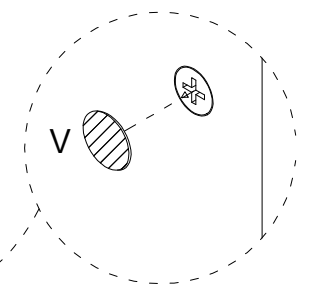
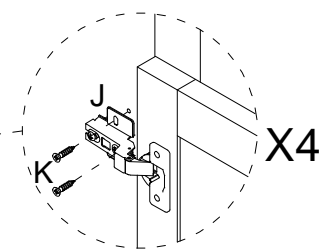
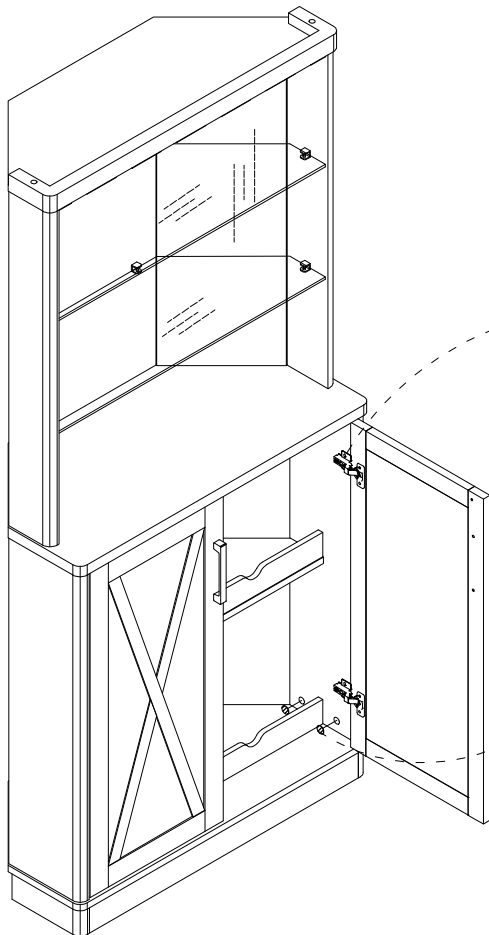
Use glass shelf to match your style: one layer or two layers.



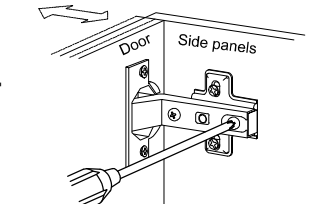
# Step 18



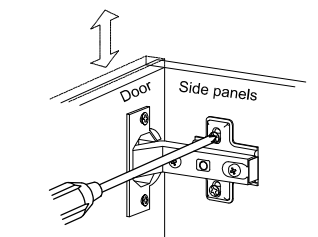
# Step 19



Horizontal  
by screw adjustment



In-and-Out  
by loosening the hinge-arm  
mounting screw or via cam  
adjustment



Vertical  
Via slots in the mounting  
plate or via cam adjustment

Step 20

