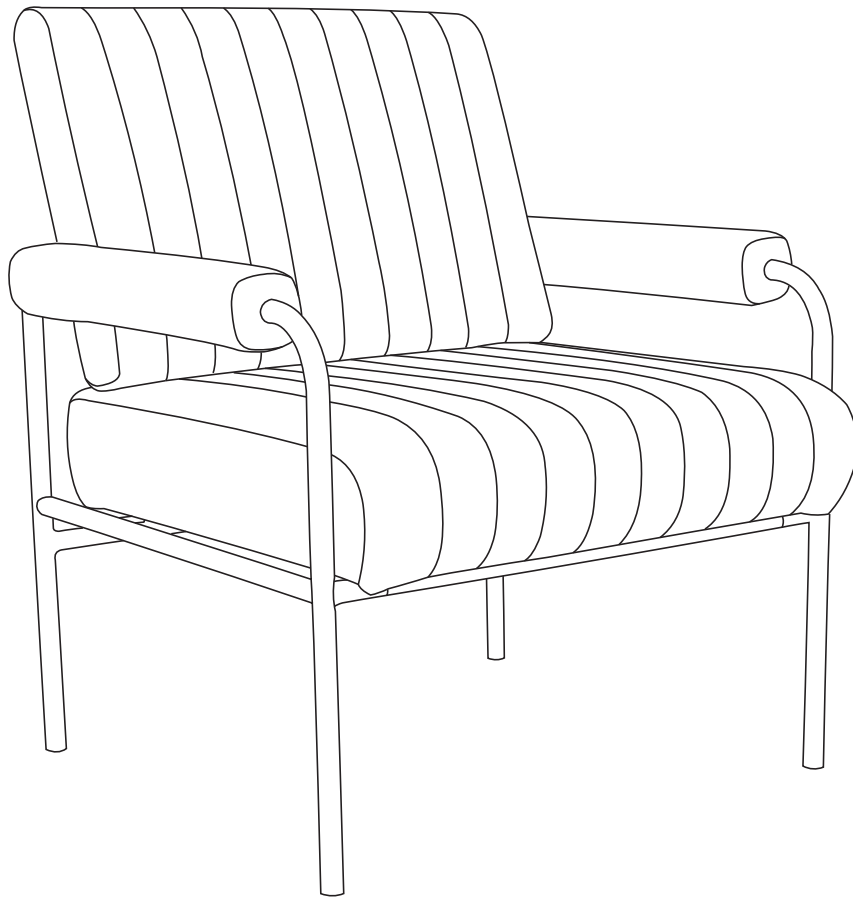

ASSEMBLY INSTRUCTION

ACCENT CHAIR

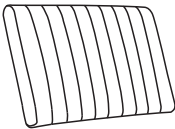
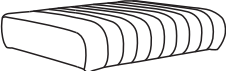
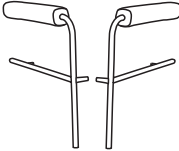
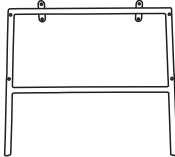
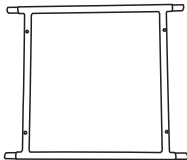


Please carefully unpack and identify each component before beginning assembly. Before you begin, please refer to parts list to make sure that you have all parts. Please take care when assembling the unit and always place the parts on a clean, soft surface.

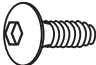
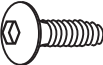
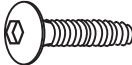

PRE-ASSEMBLY PREPARATION

- **CAUTION:** Assembly will require at least 2 adults. DO NOT use power tools. Please inspect all items BEFORE assembly. If for any reason you need to return this item, please kindly return it in it's original packaging.
- **WARNING!**
 1. DO NOT let any sharp objects touch or rub the surface of the product.
 2. When assembling, do not let children play around the working area.
 3. DO NOT tighten all bolts and screws completely until the entire unit has been assembled and set up.
 4. DO NOT USE if this product become damaged, and/or components are broken or missing.
- **CARE AND CLEANING:** DO NOT scratch or chip the finish. DO NOT use abrasive chemicals for cleaning. Clean with mild soap on a soft rag. Rinse and dry thoroughly.
- **MAINTENANCE:** Please periodically check all fittings and re-tighten as necessary.

PARTS LIST

Back Cushion (A)  Qty: 1	Seat Cushion (B)  Qty: 1	Left & Right Side Frame (C)  Qty: 2	Back Frame (D)  Qty: 1
Seat Frame (E)  Qty: 1			

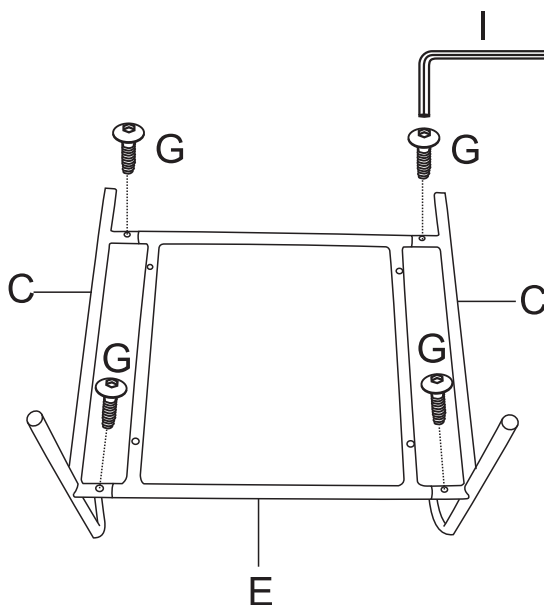
HARDWARE LIST

Allen Bolt (F) M6X16mm  Qty: 4	Allen Bolt (G) M6X30mm  Qty: 8	Allen Bolt (H) M6X35mm  Qty: 4	Allen Wrench (I) M6  Qty: 1
--	--	---	---

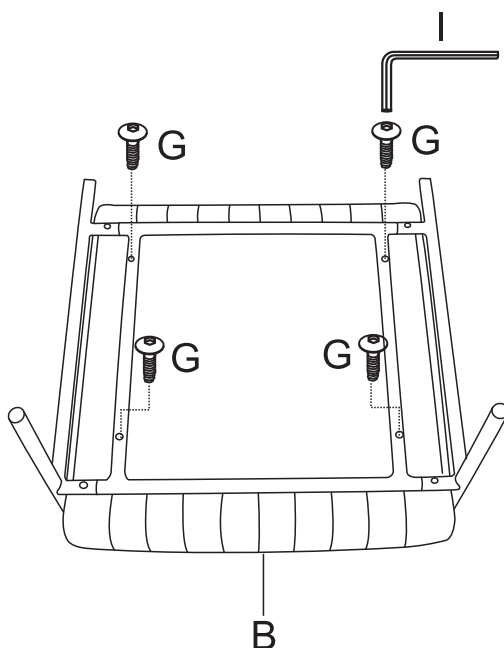
STEP-BY-STEP ASSEMBLY

PLEASE CAREFULLY UNPACK AND IDENTIFY EACH COMPONENT BEFORE BEGINNING ASSEMBLY. BEFORE YOU BEGIN, PLEASE REFER TO PARTS LIST TO MAKE SURE THAT YOU HAVE ALL PARTS.

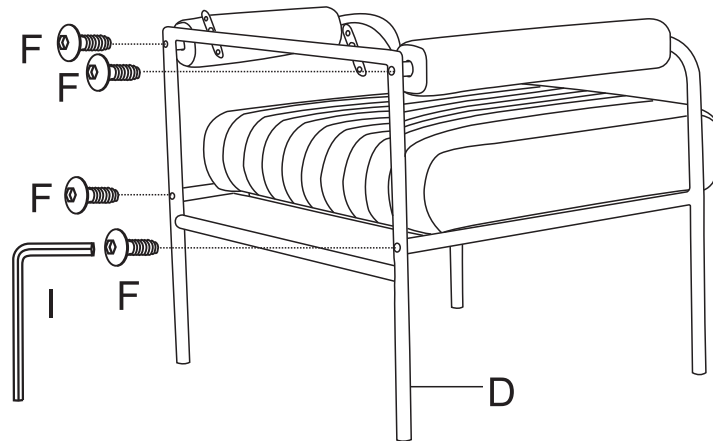
- STEP 1** Insert the Side Frame(C) to the Seat Frame(E) and tighten by using Allen Bolt(G) and Allen Wrench (I) .
Please 80% tighten the bolts.



- STEP 2** Attach the Seat Cushion(B) to the Seat Frame(E) by using Allen Bolt(G) and Allen Wrench (I).
Please 80% tighten the bolts.

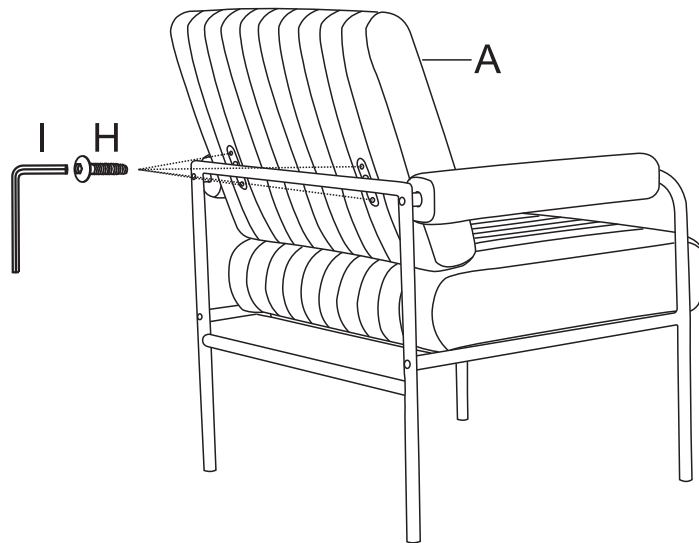


STEP 3 Attach the Back Frame (D) to the Side Frame(C) by using Allen Bolt (F) and Allen Wrench (I)
Please 80% tighten the bolts.



STEP 4 Attach the Back Cushion(A) to the Back Frame(D) by using Allen Bolt(H) and Allen Wrench (I).

Please 80% tighten the bolts.



STEP 5 Please 100% tighten all Allen Bolts (F,G,H) completely by using Allen Wrench (I) .
After initial assembly, the product may acclimate to its new environment.
Please ensure all screws are still securely tightened.

