

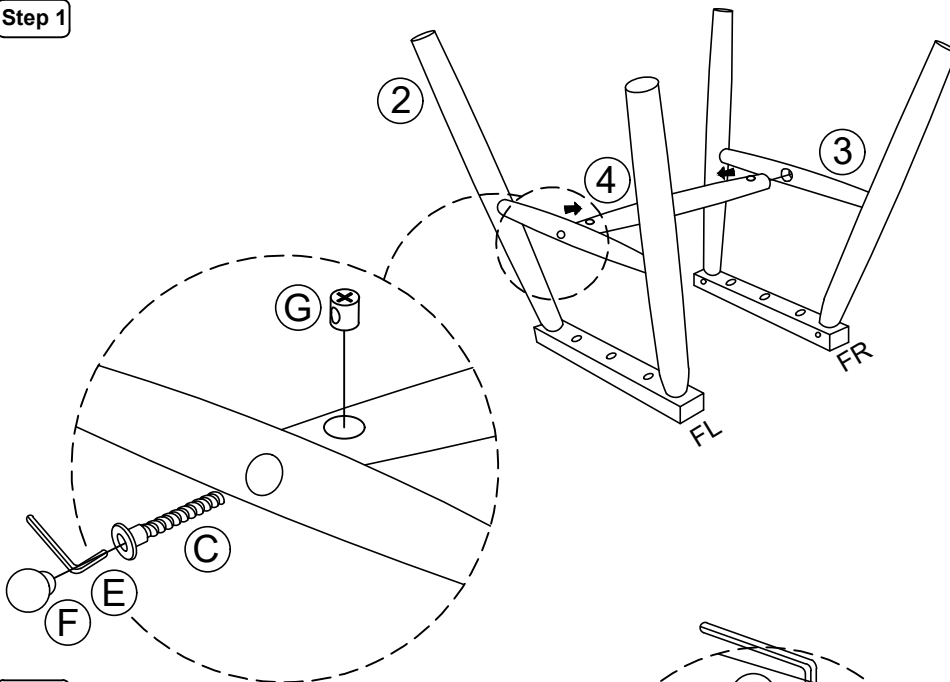
Thank You for purchasing this Quality product. It has been engineered for easy assembly yet constructed for durability. Please take the time to read and follow the instructions while assembling. Please be sure to read the Notes section at the bottom of the page before beginning Assembly. Thank You

ASSEMBLY INSTRUCTION

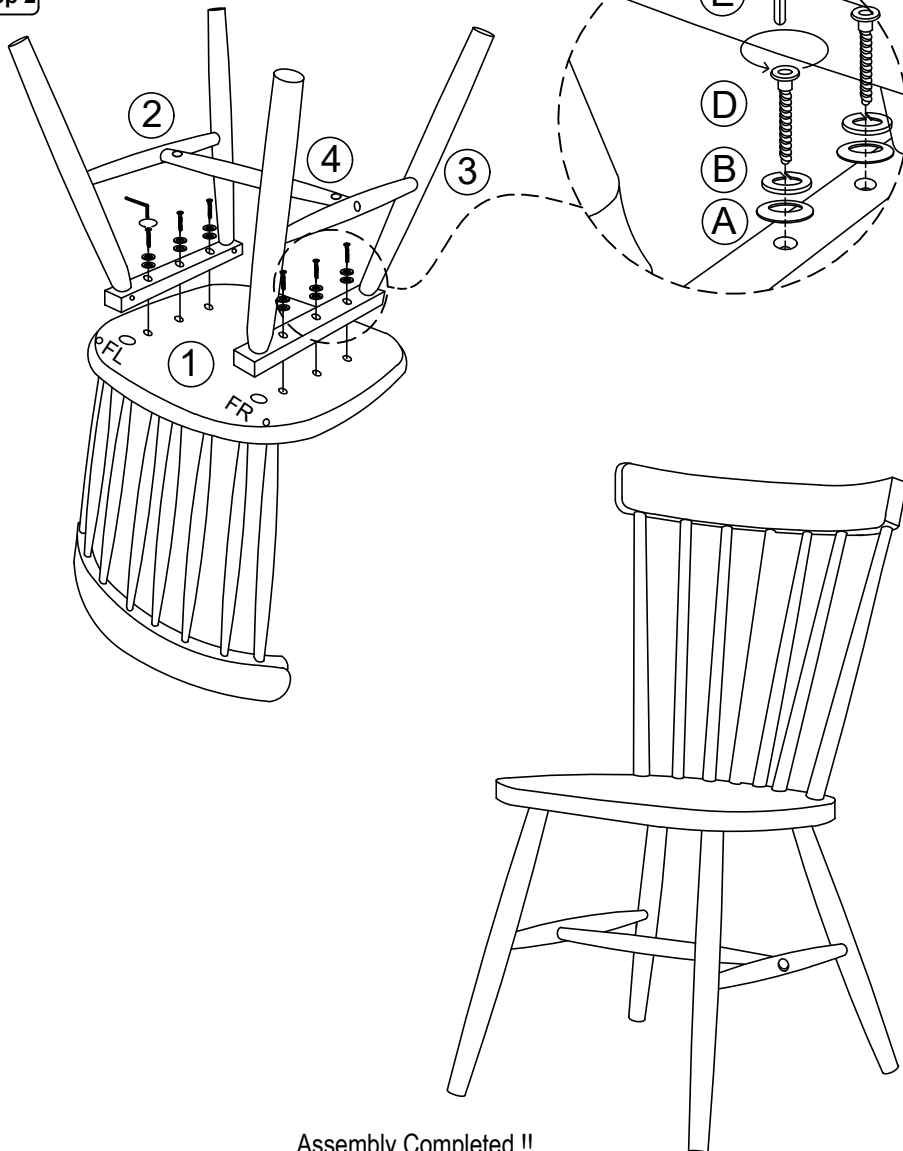
SMARTBUY SIDE CHAIR
MODEL : SB003 (C-1536-RTA)

SIZE : 19 1/4" X 22" X 33"H

Step 1



Step 2



Assembly Completed !!

List of Part For 1 Set

| Code | Figure | Part | Qty. |
|------|--------|--------------------|------|
| 01 | | Chair Back | 1 |
| 02 | | Left Leg Set (FL) | 1 |
| 03 | | Right Leg Set (FR) | 1 |
| 04 | | Center Stretcher | 1 |

List of hardware For 1 Set

| Code | Figure | Hardware | Qty. |
|------|--------|-------------------------|------|
| A | | Flat Washer 1/4" x 13mm | 6 |
| B | | Spring Washer 1/4" | 6 |
| C | | JCBC Bolt M6 x 45mm | 2 |
| D | | JCBC Bolt M6 x 30mm | 6 |
| E | | Allen Key | 1 |
| F | | Wood Bottom | 2 |
| G | | JRN Nut | 2 |

! Important Notes

- * Keep all hardware parts out of reach of children.
- * Must tighten screws periodically. With use screws will become loose. Check tightness of all screws every 6-8 weeks.
- * Don't attempt to repair or modify parts that are broken or defective. Please contact the store immediately.
- * Do not tighten all screw / bolt until all completely assembled.

Notes

- * Place all wooden parts on a clean and smooth surface such as a rug or carpet to avoid the parts from being scratched.
- * Check to be sure that you have all parts and hardware.
- * Remove all wrapping materials including staples & packing straps before you start to assemble.

Care And Maintenance

- * The Touch of a soft cloth is all the maintenance your wood pieces will ever need.
- * Never use harsh chemicals or abrasive cleaner as they could mark or destroy finish.