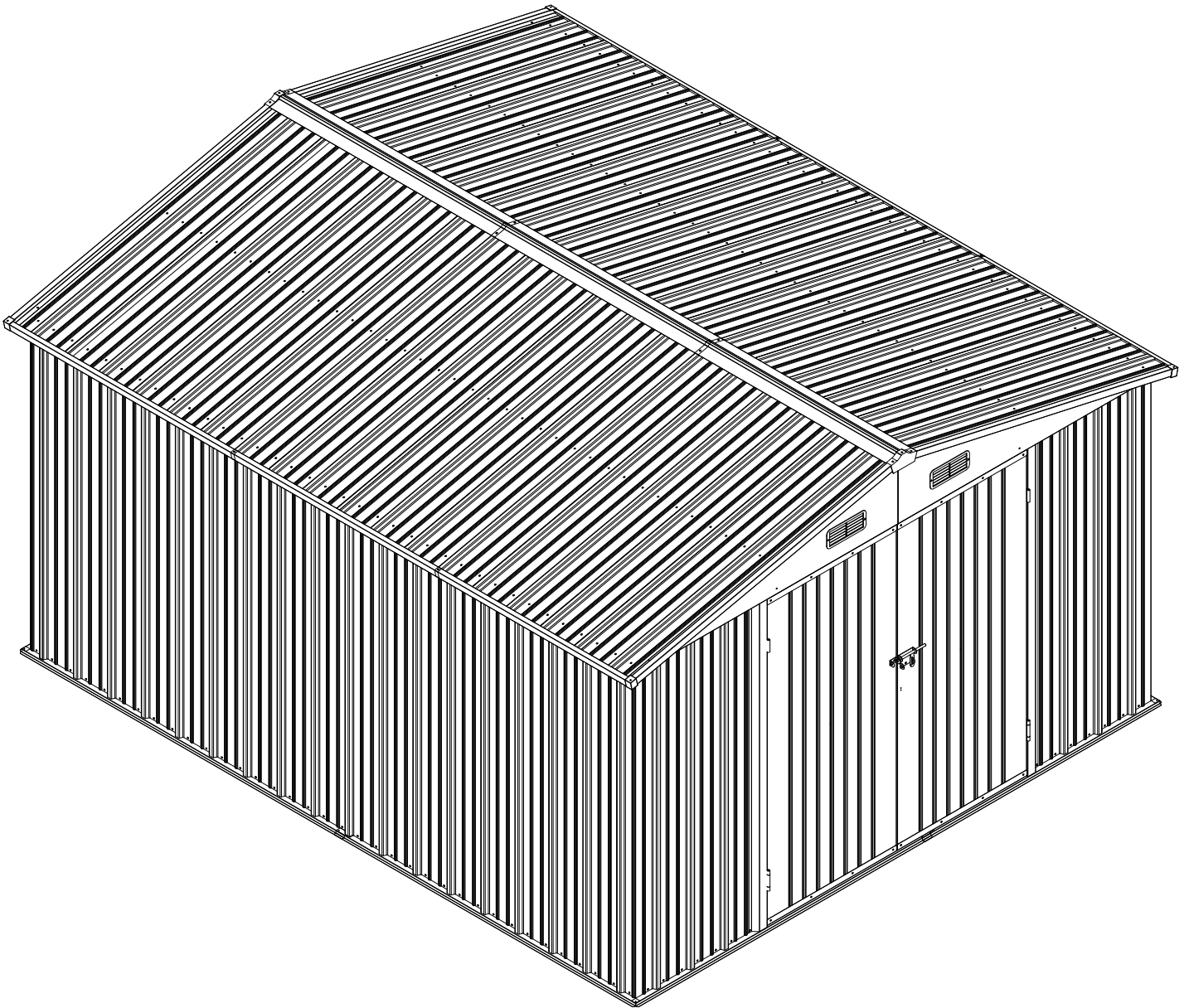


# Metal Garden Shed

## 10x12FT

## Assembly Instruction




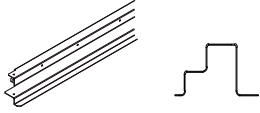




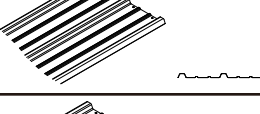
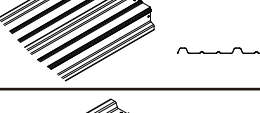
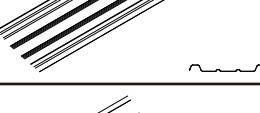

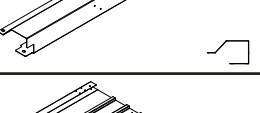

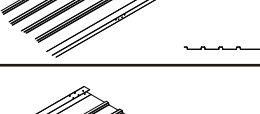

### **ASSEMBLY INSTRUCTIONS**

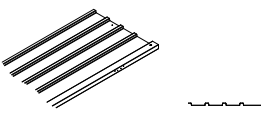
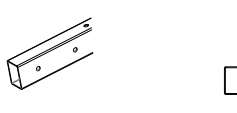


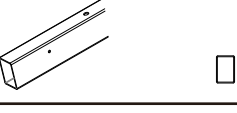

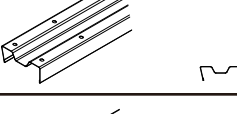
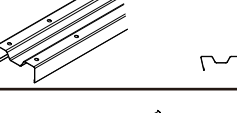
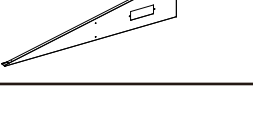
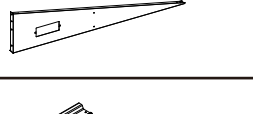


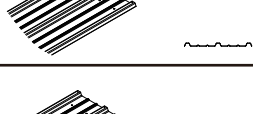

#### **WARNING**

Please read the instruction manual carefully before assembly.  
Please assembly strictly in accordance with the instruction.  
Please double-check to ensure that all parts of the package contents intact.  
To avoid injury, work gloves are recommended during assembly.

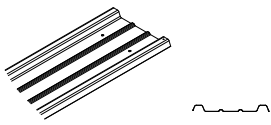
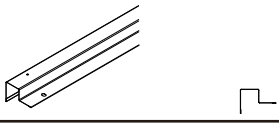
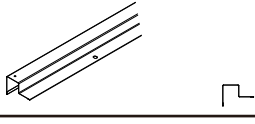
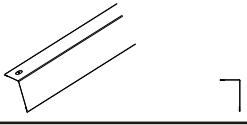
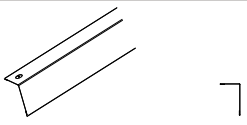
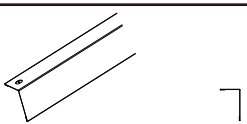
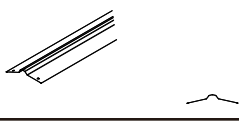



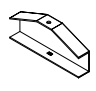
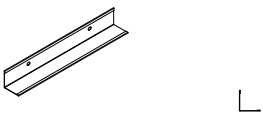
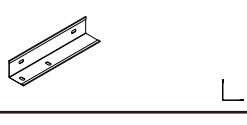
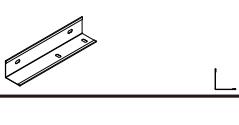
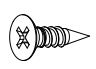


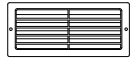
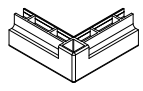
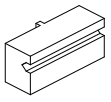
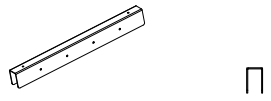
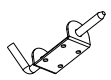
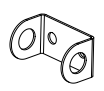
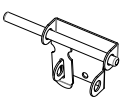
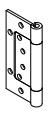
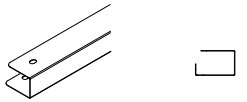
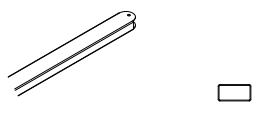

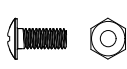
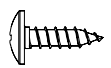

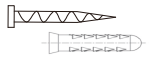

# PARTS LIST

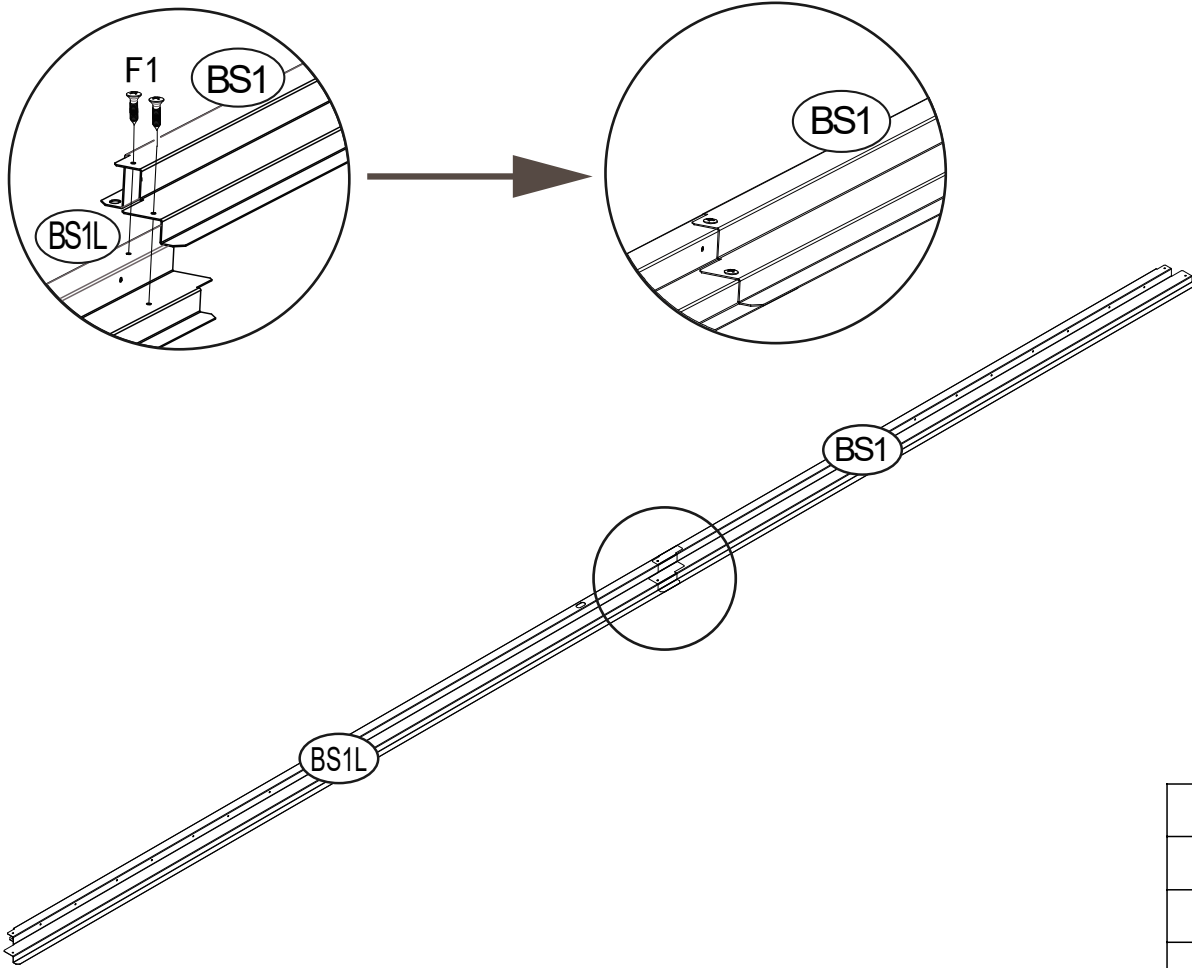
NO.	PART	Qty.
1		2
2		2
BS1		1
BS1L		1
BS2		1
BS2L		1
W1A		24
WS2A		4
WS3A		2
UL1		1
UR1		1
DLA		1
DLB		1
DRA		1




NO.	PART	Qty.
DRB		1
7		1
8		1
9		4
10L		1
10R		1
13		4
14		4
21L		2
21R		2
P1		2
P2		2
P3		10
P3A		4

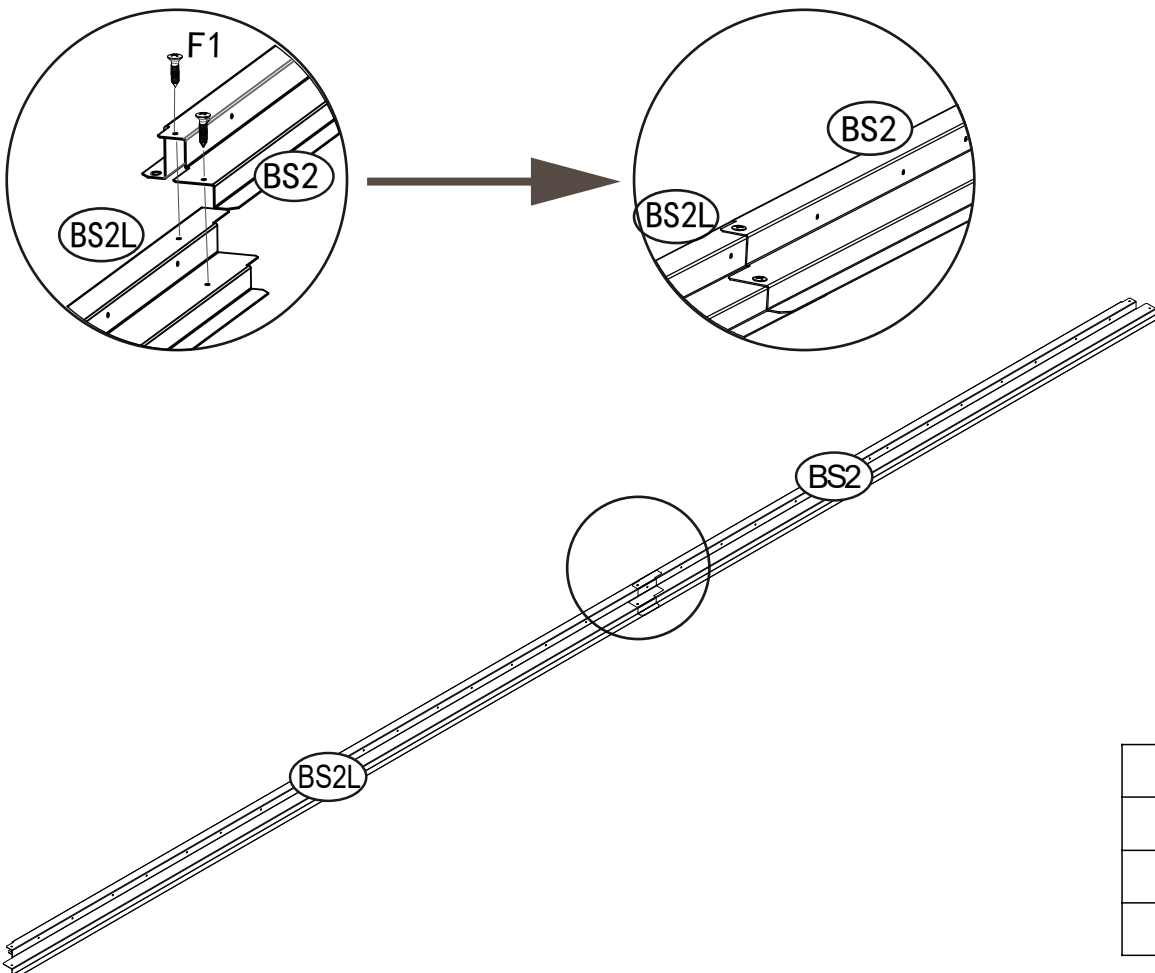
# PARTS LIST



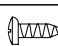
NO.	PART	Qty.
P6		2
15		2
16		2
17		2
17A		2
17B		2
19		1
19A		1
19B		1
GC		4
GE		2
B1		4
B2		2
B3		2
F3		32

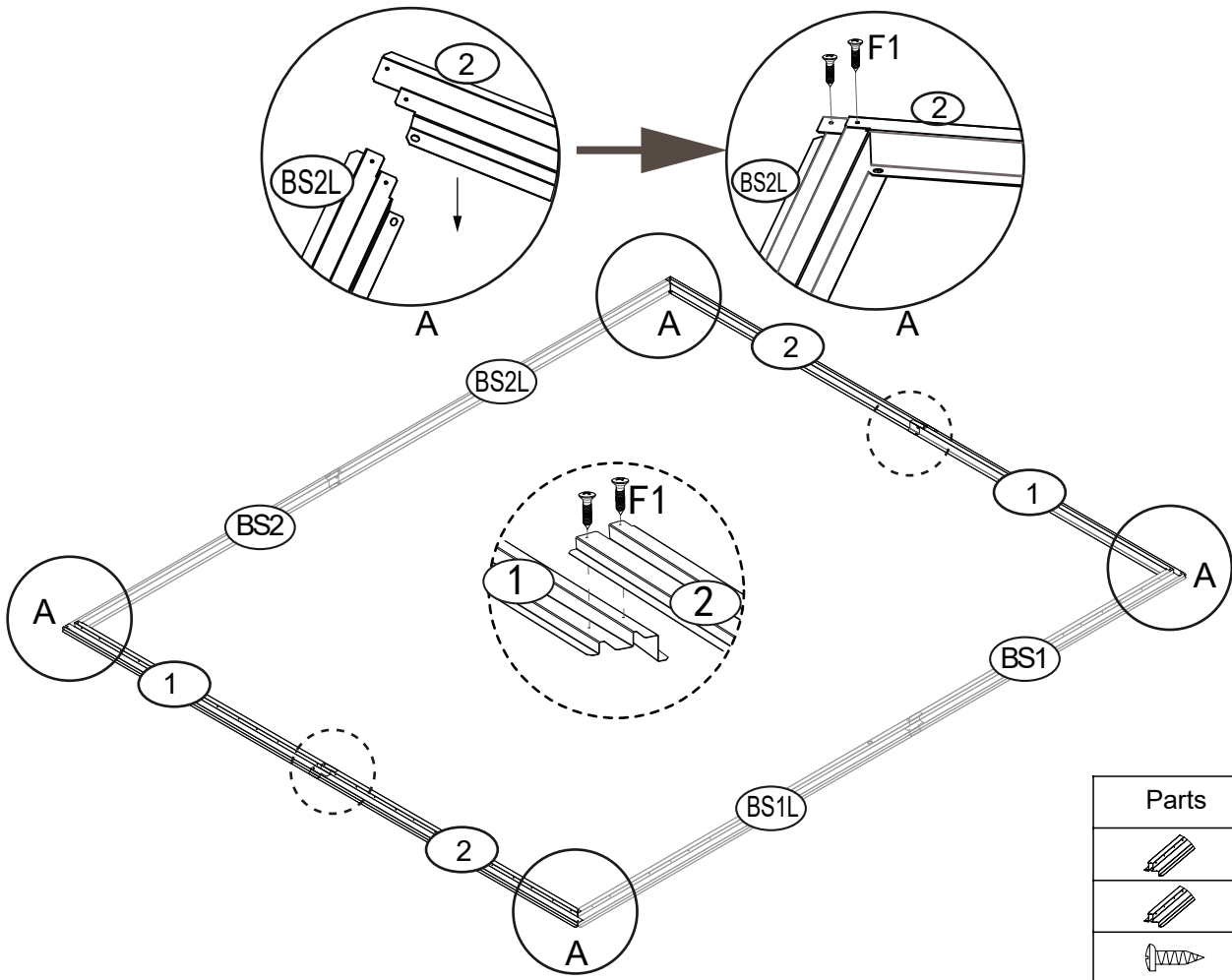
NO.	PART	Qty.
GF		4
C2		4
GR		2
GS		2
DC		2
DF		1
DG		1
DH		4
20		2
DX2		4
F1		575
F2		60
F5		4
S1		544
F6		4
V2		534






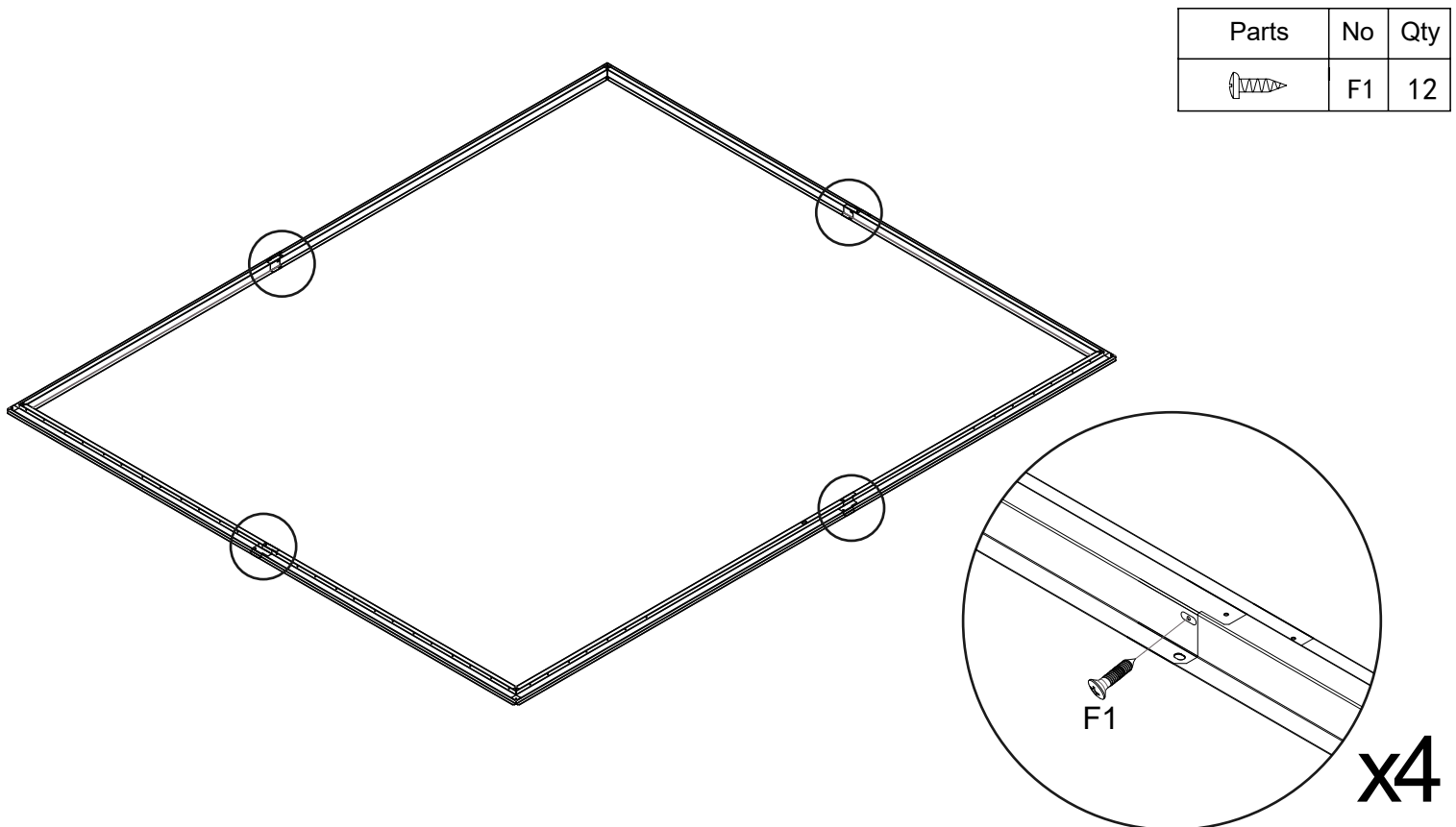
Parts	No	Qty
	BS1	1
	BS1L	1
	F1	2




Parts	No	Qty
	BS1	1
	BS1L	1
	F1	2



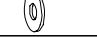


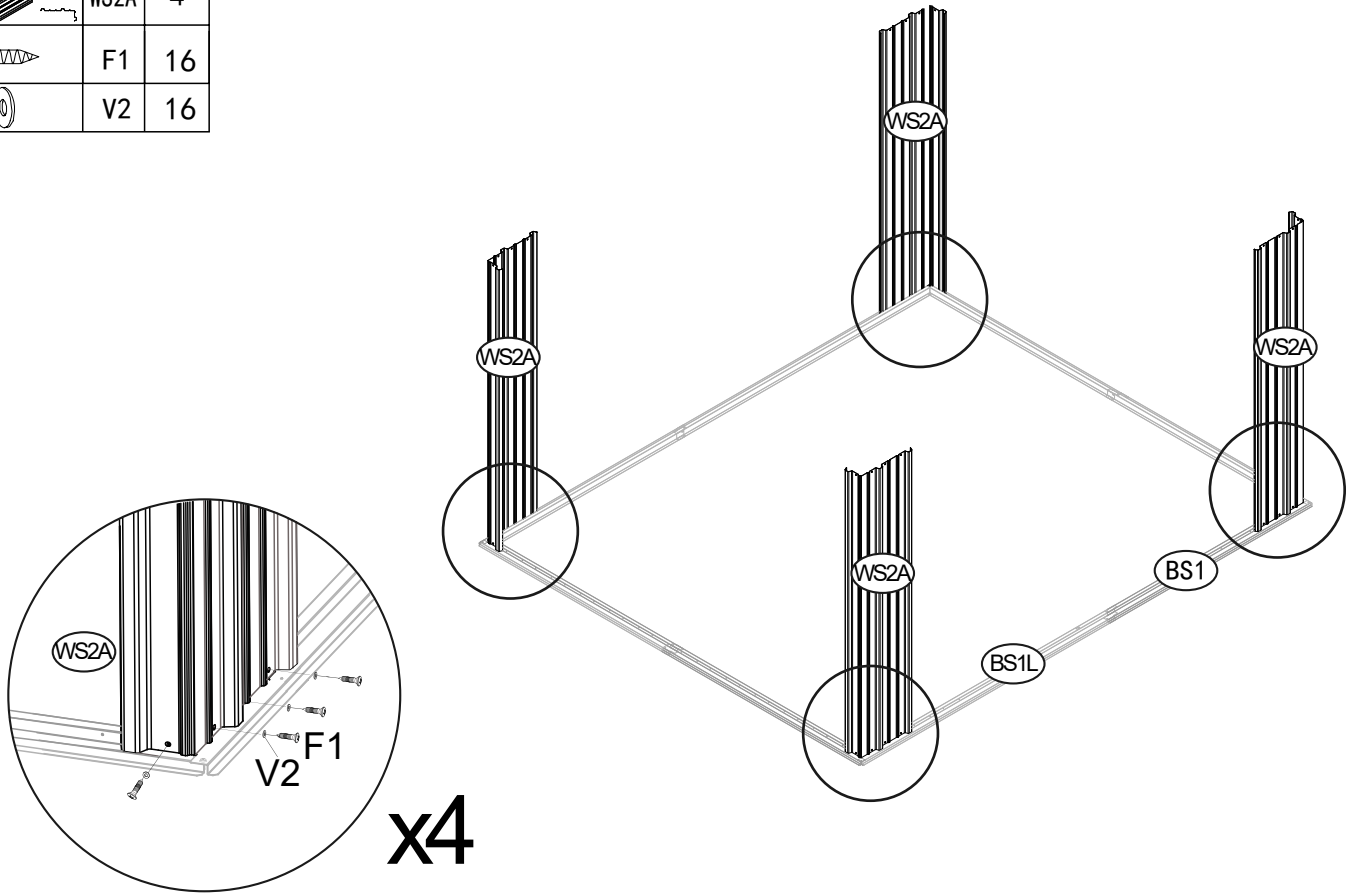
Parts	No	Qty
	1	2
	2	2
	F1	12






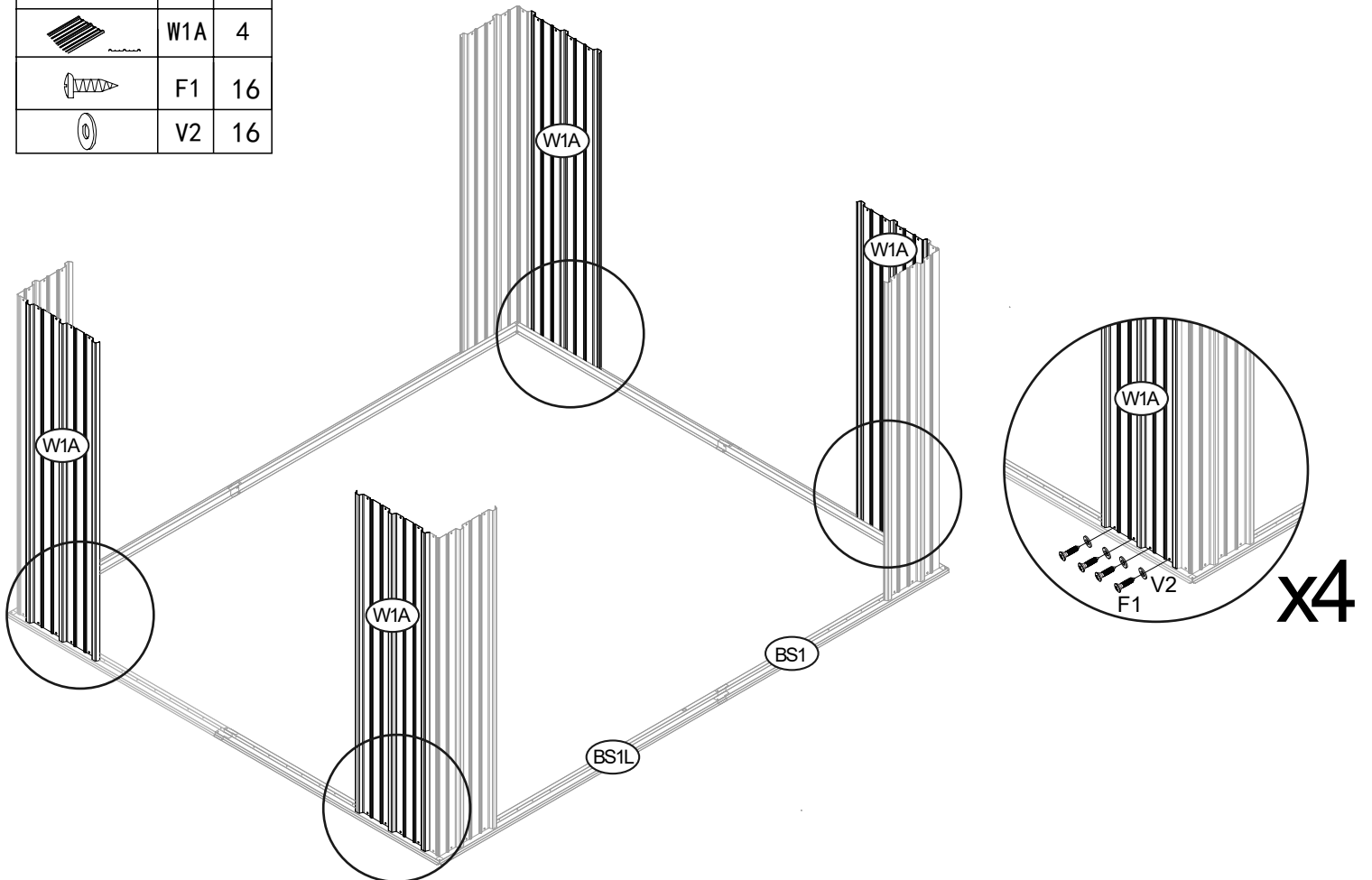
Parts	No	Qty
	F1	12

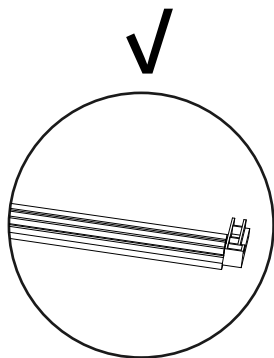
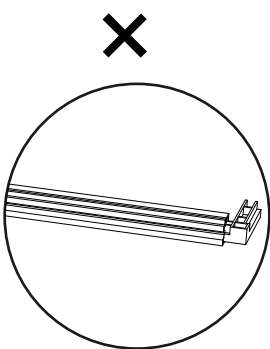
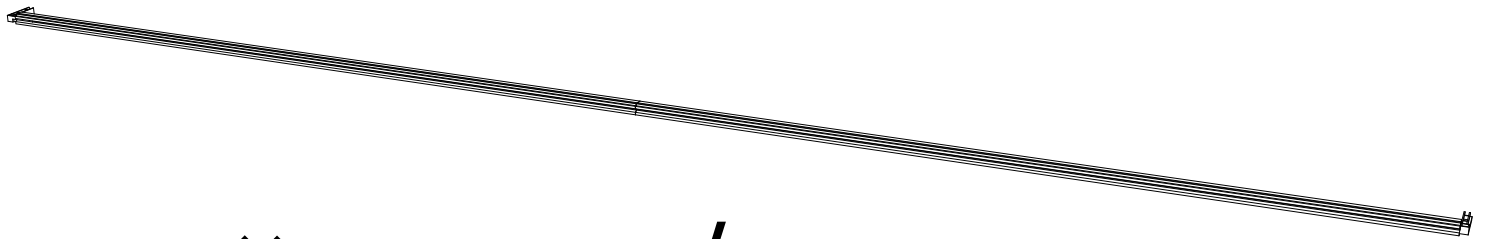
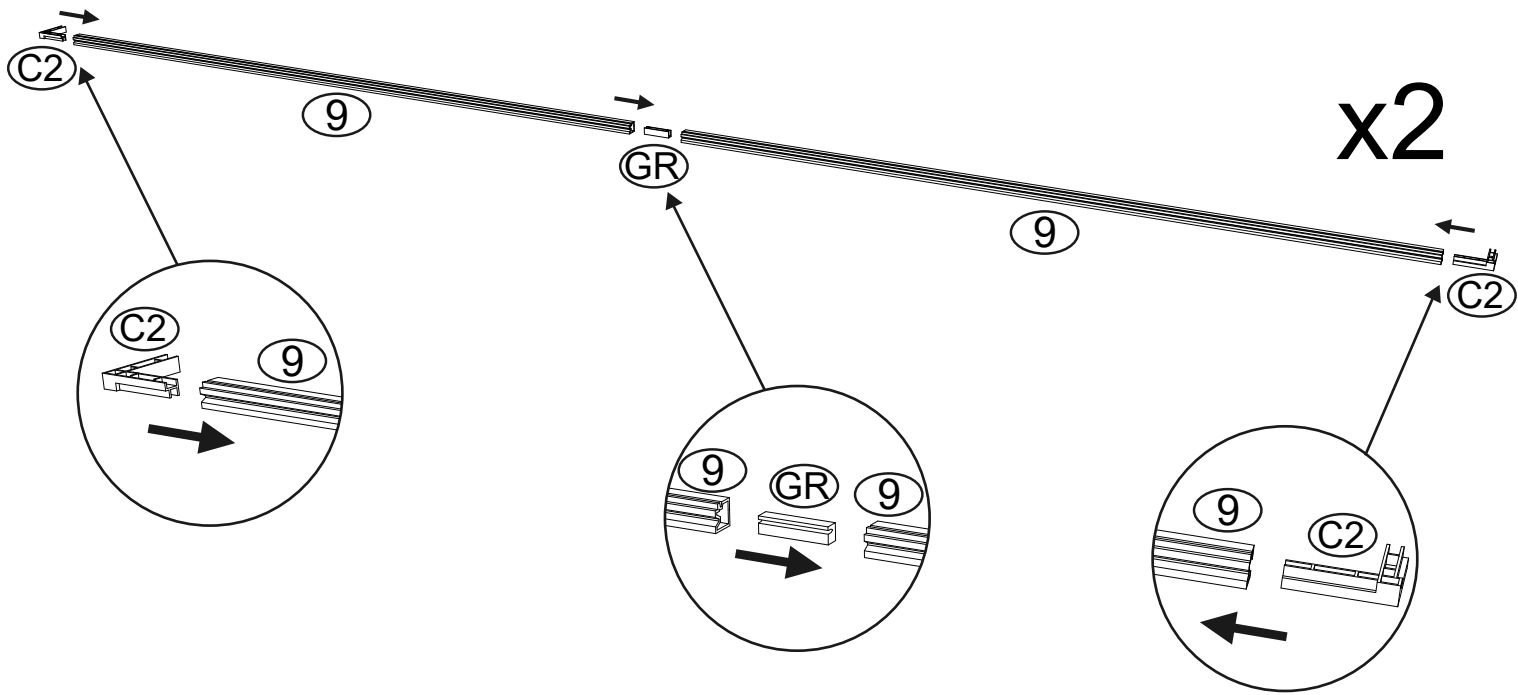
x4

Parts	No	Qty
	WS2A	4
	F1	16
	V2	16




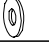


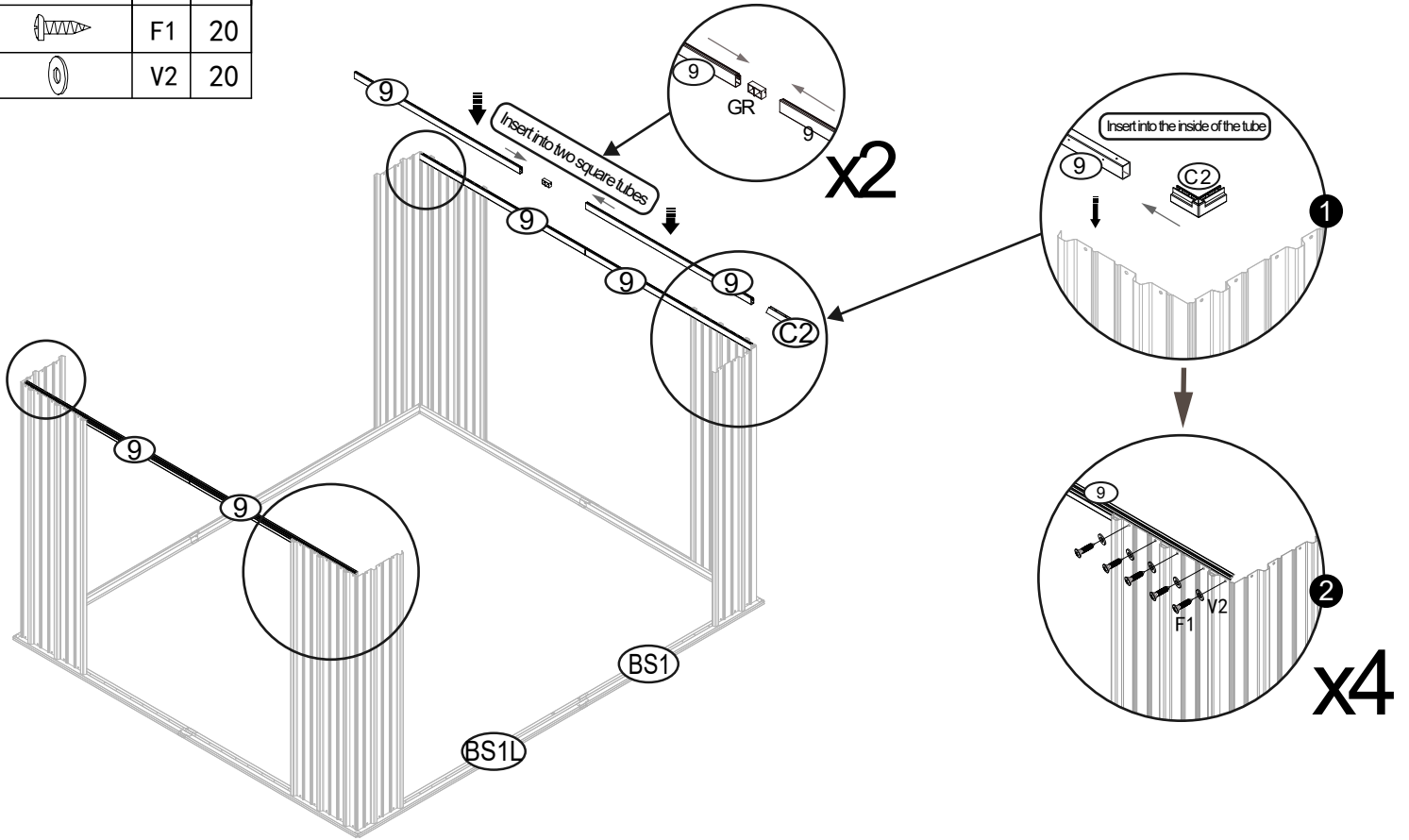
Parts	No	Qty
	W1A	4
	F1	16
	V2	16

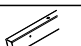



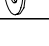


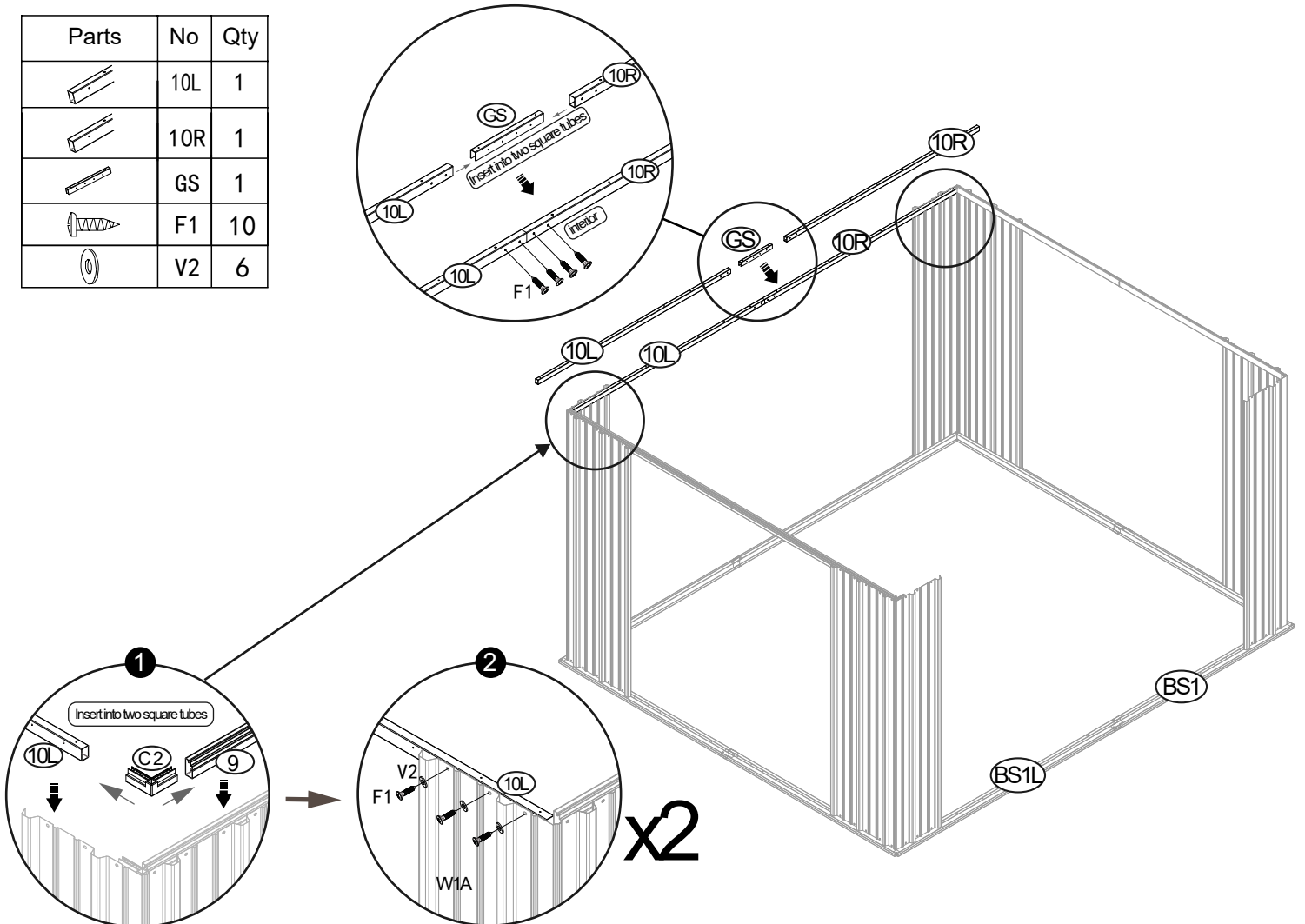



**Note:**  
Connector must fit.

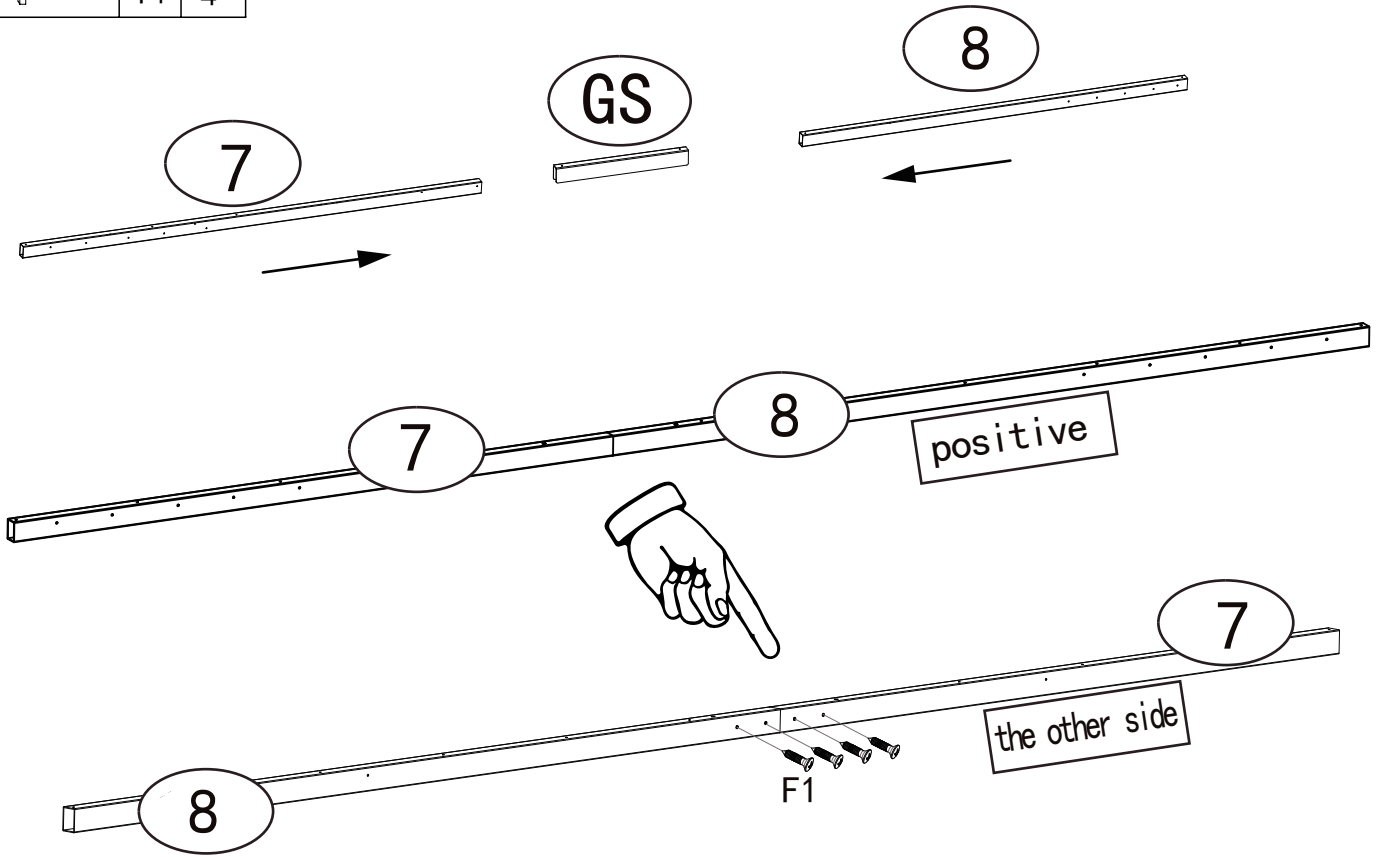
Parts	No	Qty
	9	4
	GR	2
	F1	20
	V2	20


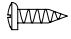



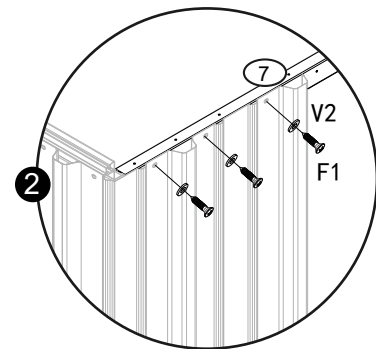
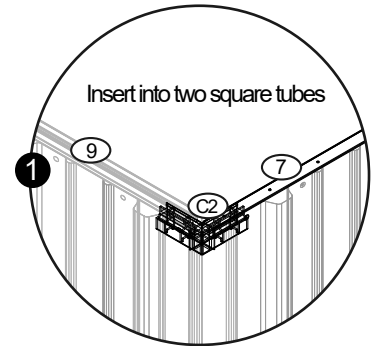
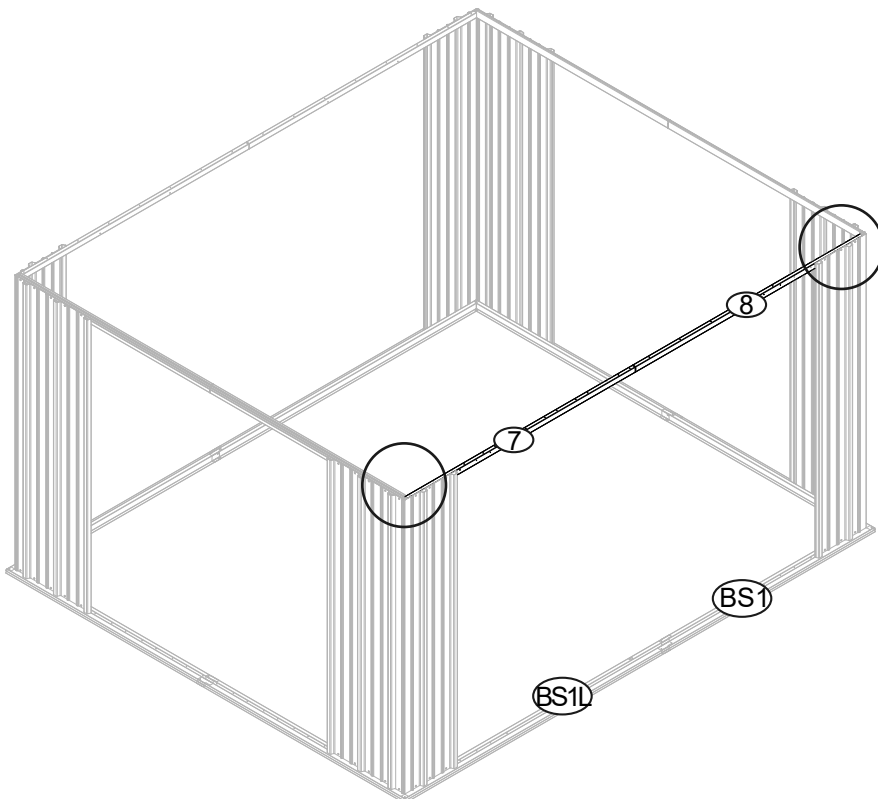
Parts	No	Qty
	10L	1
	10R	1
	GS	1
	F1	10
	V2	6




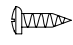

Parts	No	Qty
	F1	4

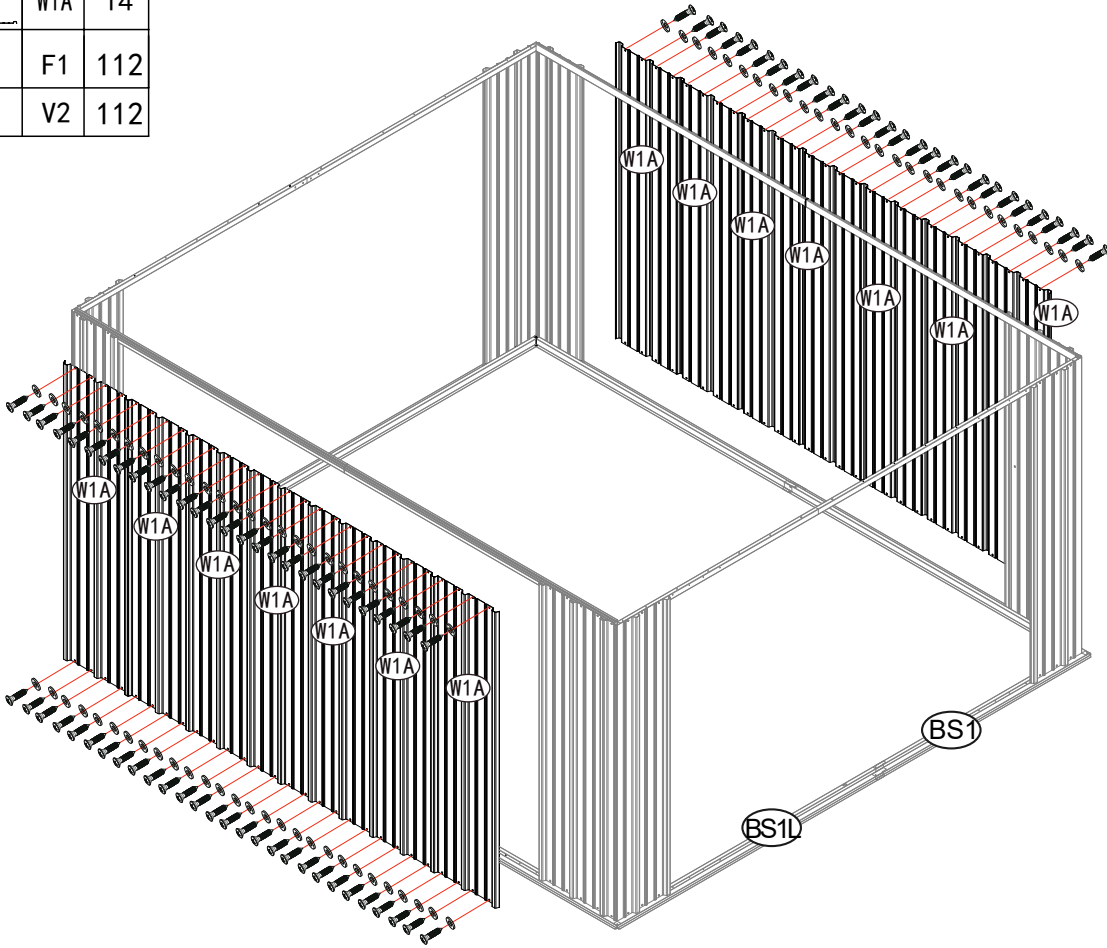



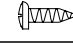

Parts	No	Qty
	C2	2
	F1	6
	V2	6

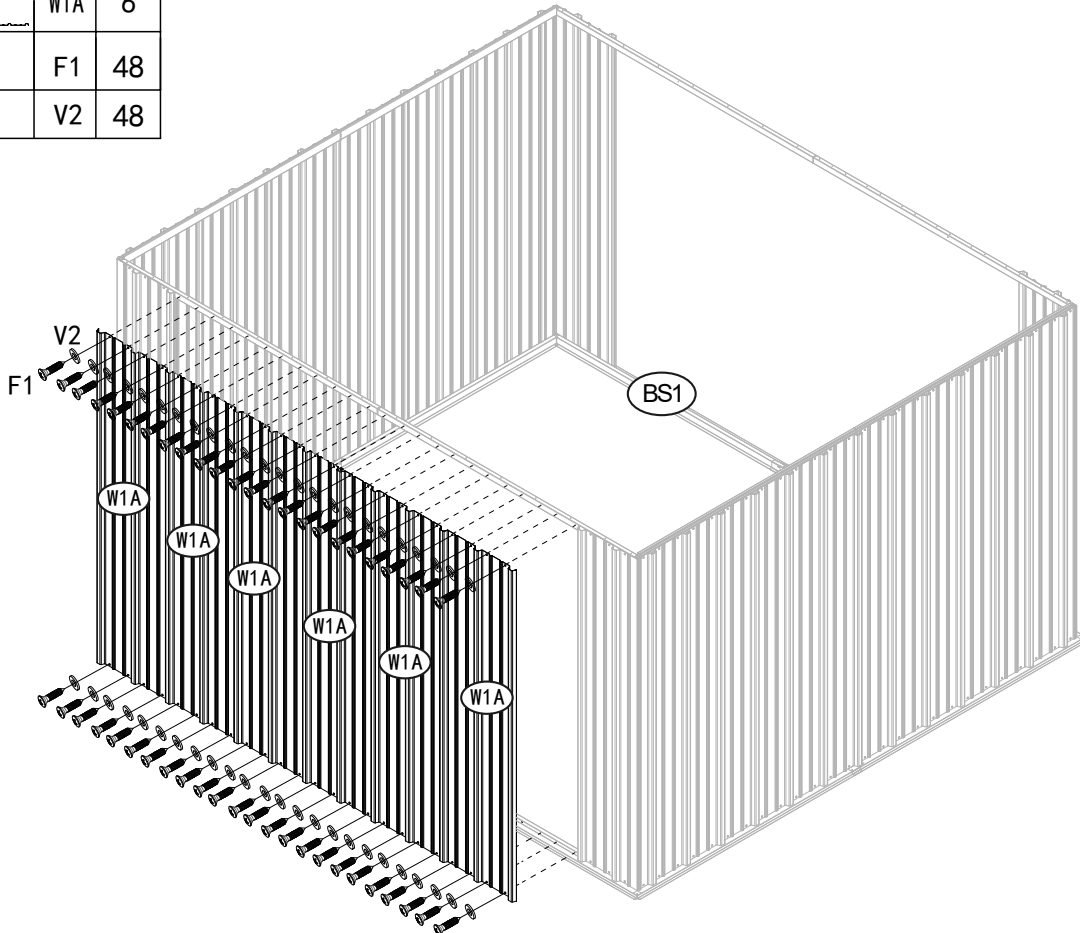




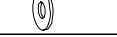
x2

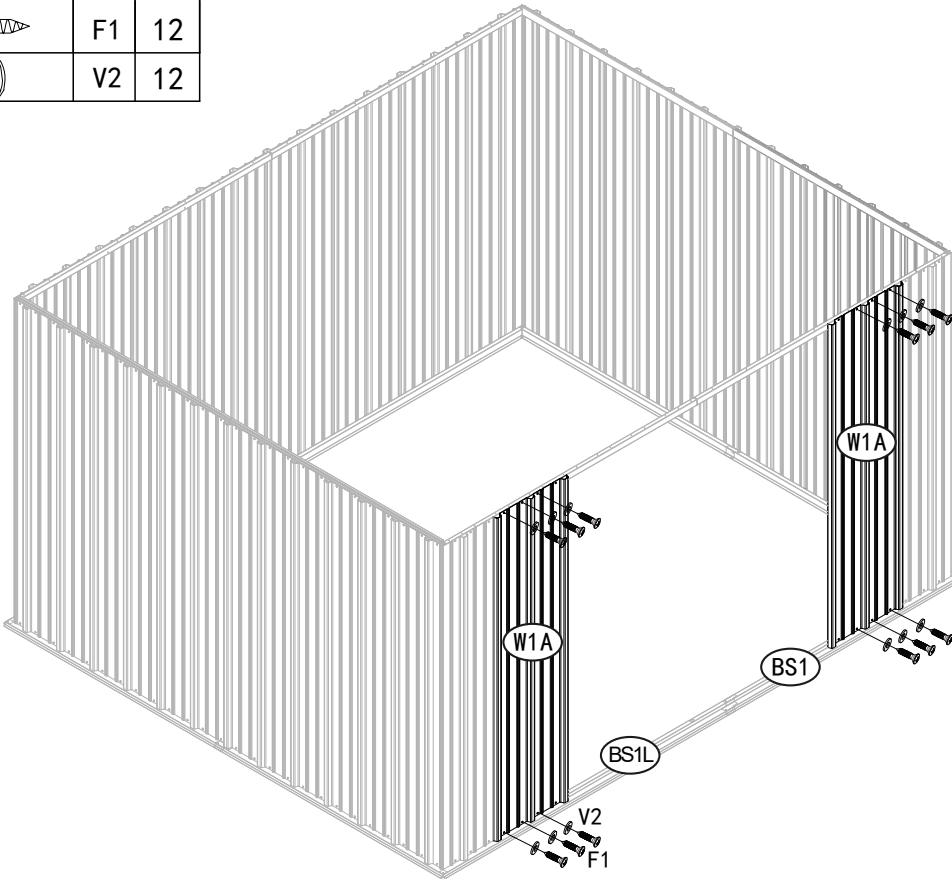
Parts	No	Qty
	W1A	14
	F1	112
	V2	112



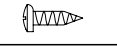



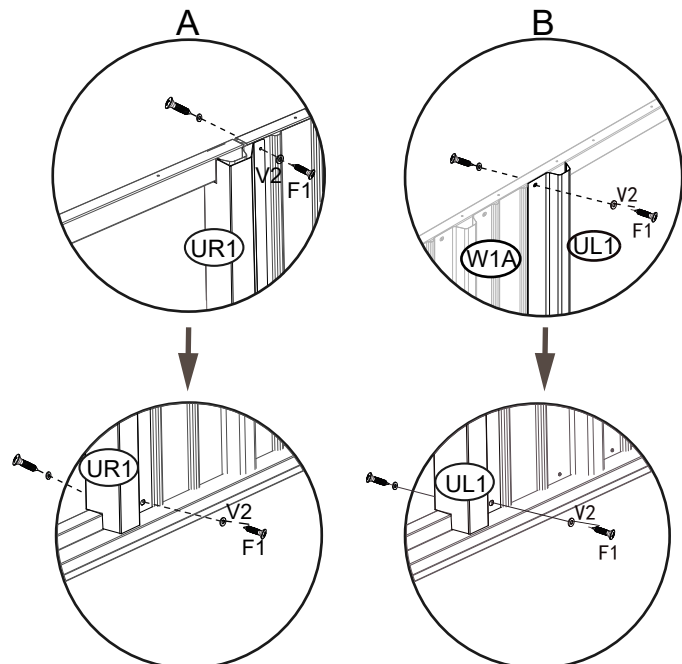
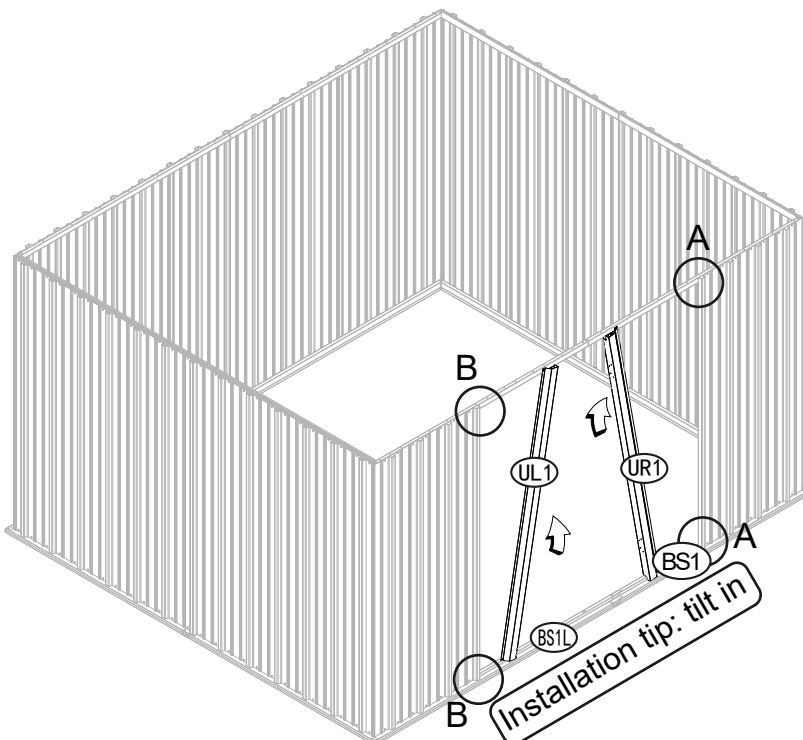
Parts	No	Qty
	W1A	6
	F1	48
	V2	48





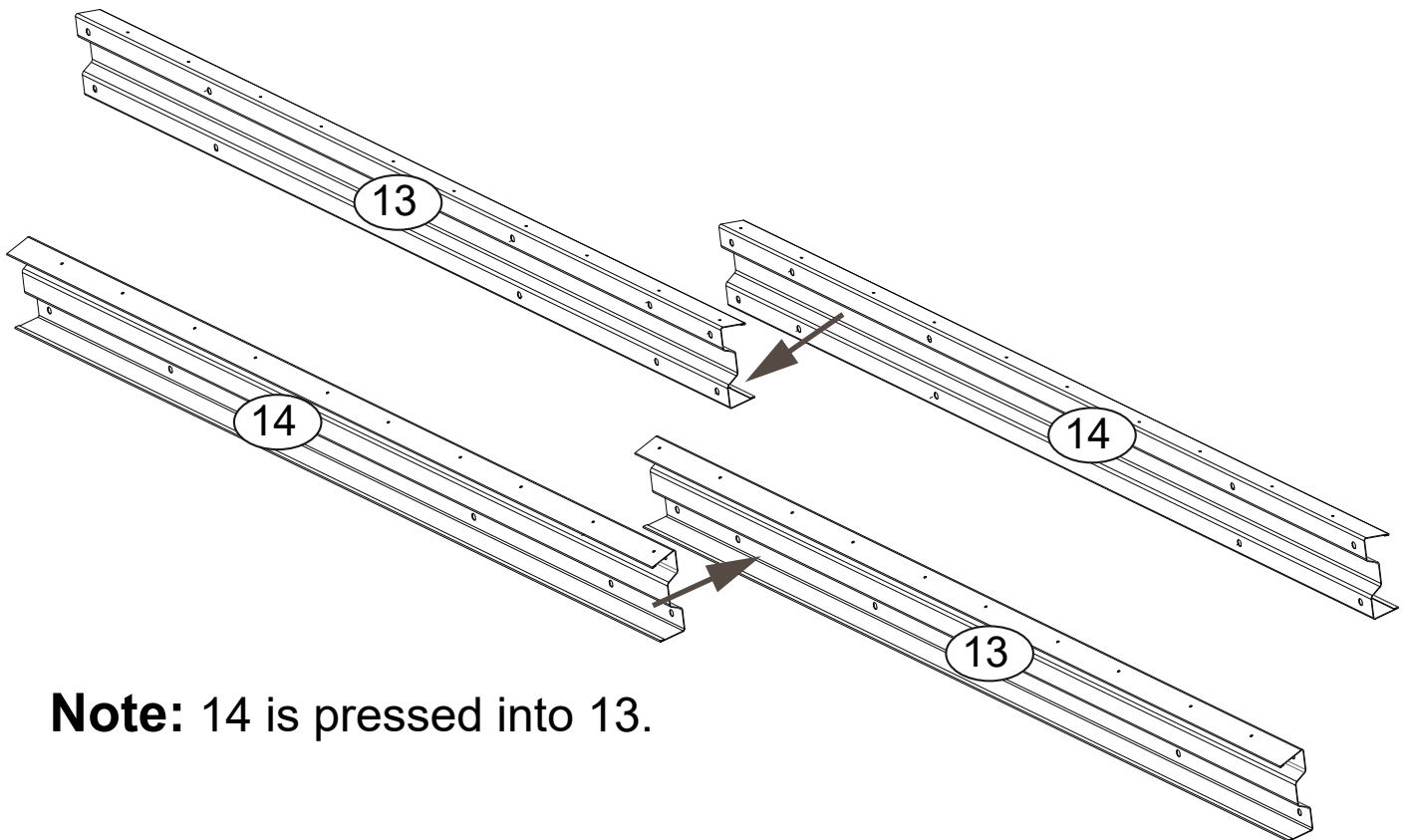
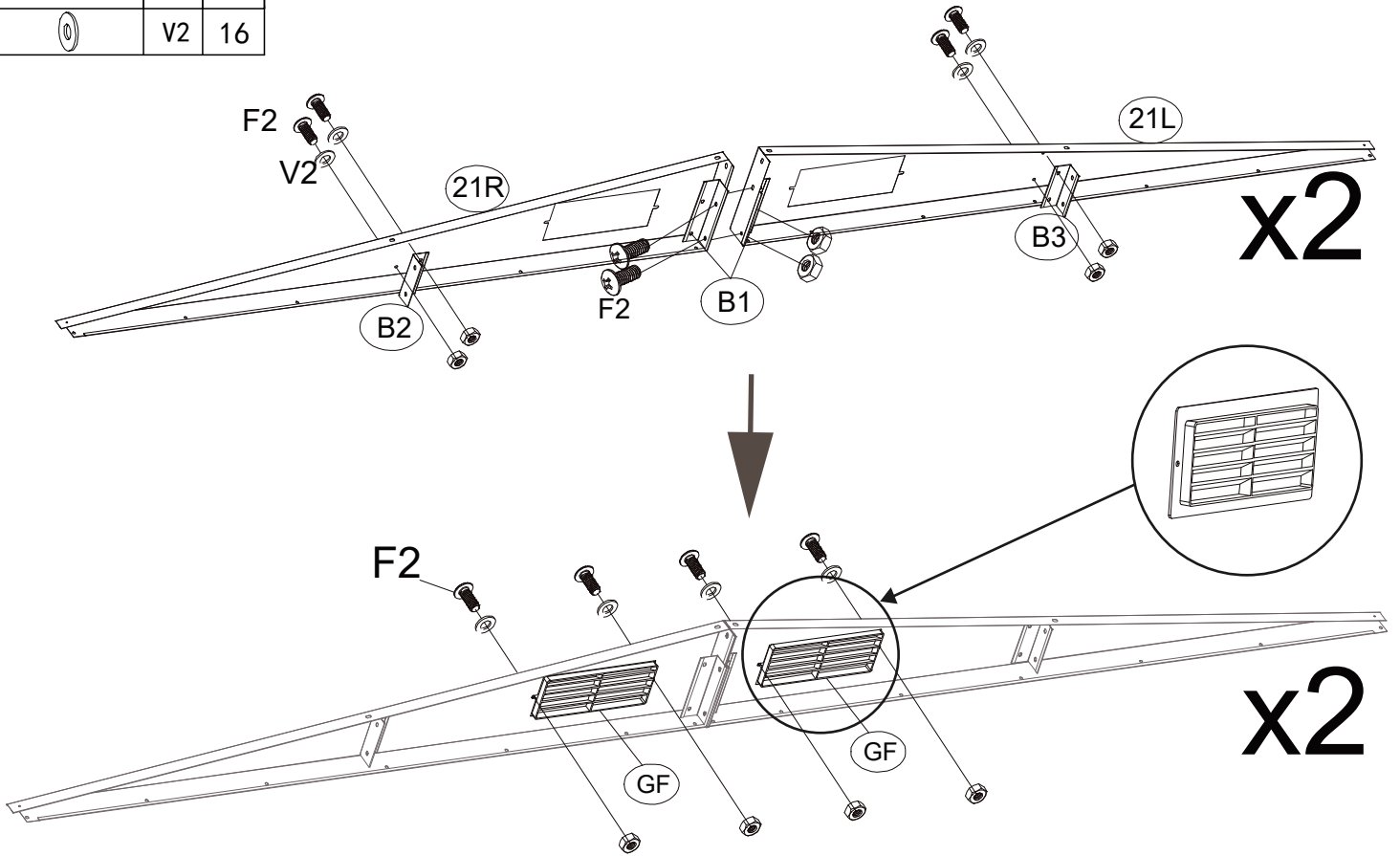
Parts	No	Qty
	W1A	2
	F1	12
	V2	12



Parts	No	Qty
	UL1	4
	UR1	2
	F1	8
	V2	8

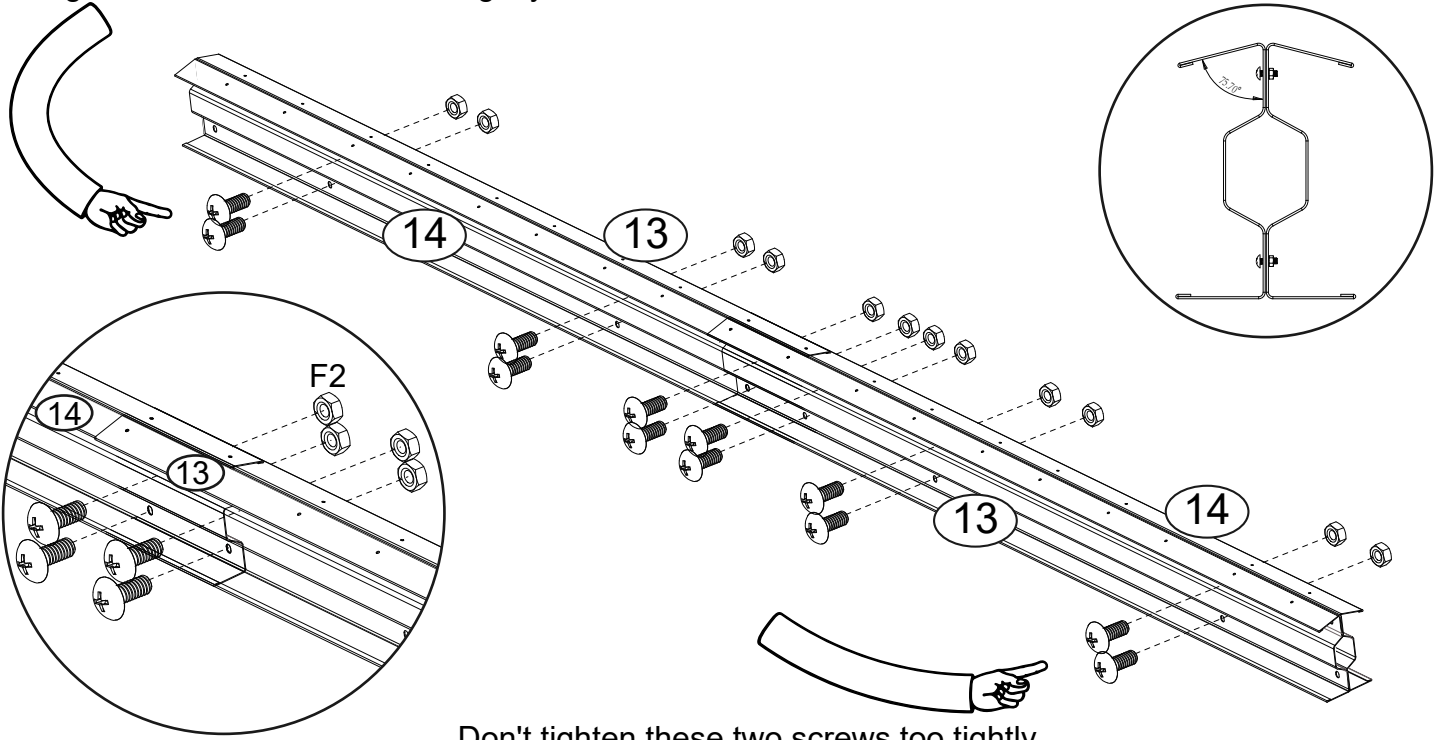


Parts	No	Qty
	F2	20
	V2	16




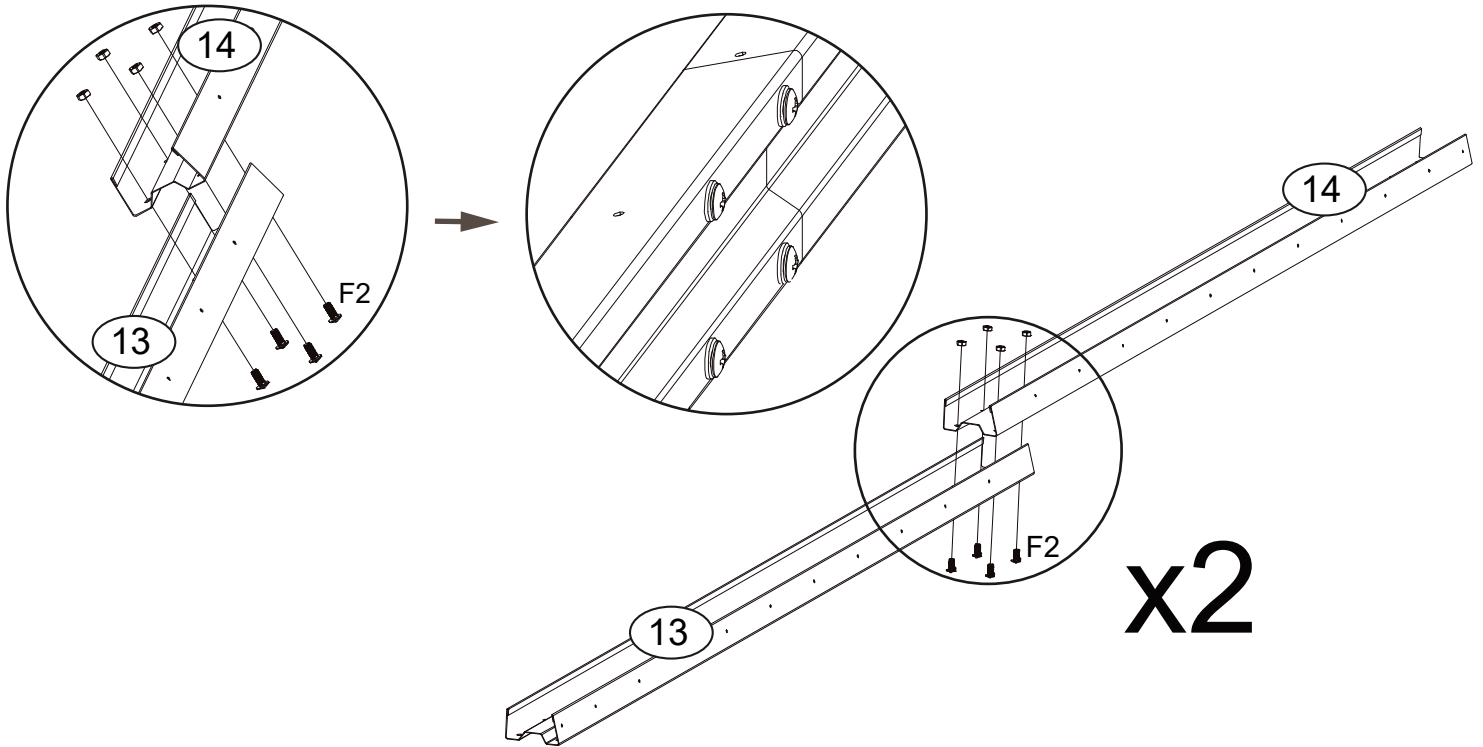
**Note:** 14 is pressed into 13.


Don't tighten these two screws too tightly.

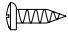



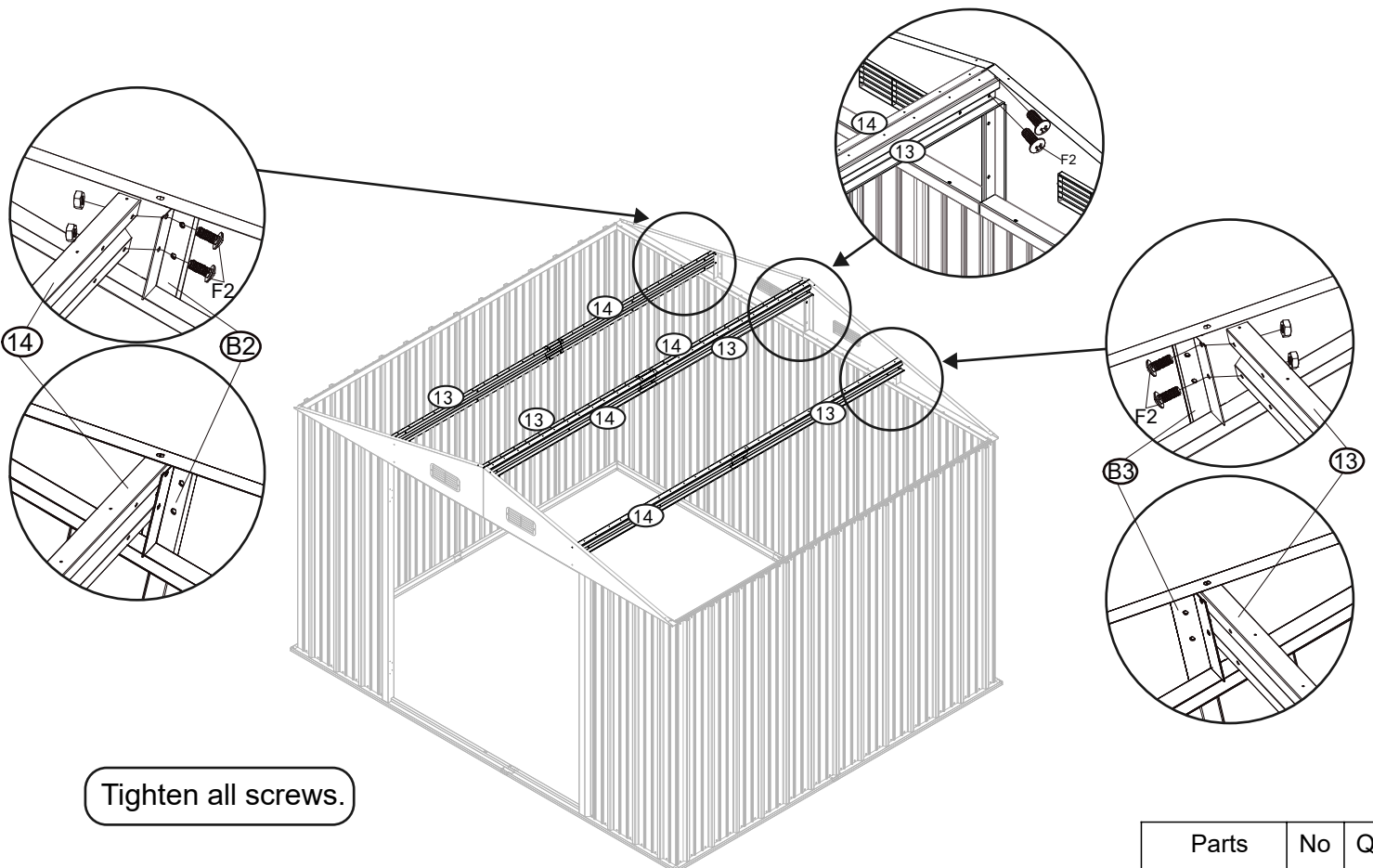
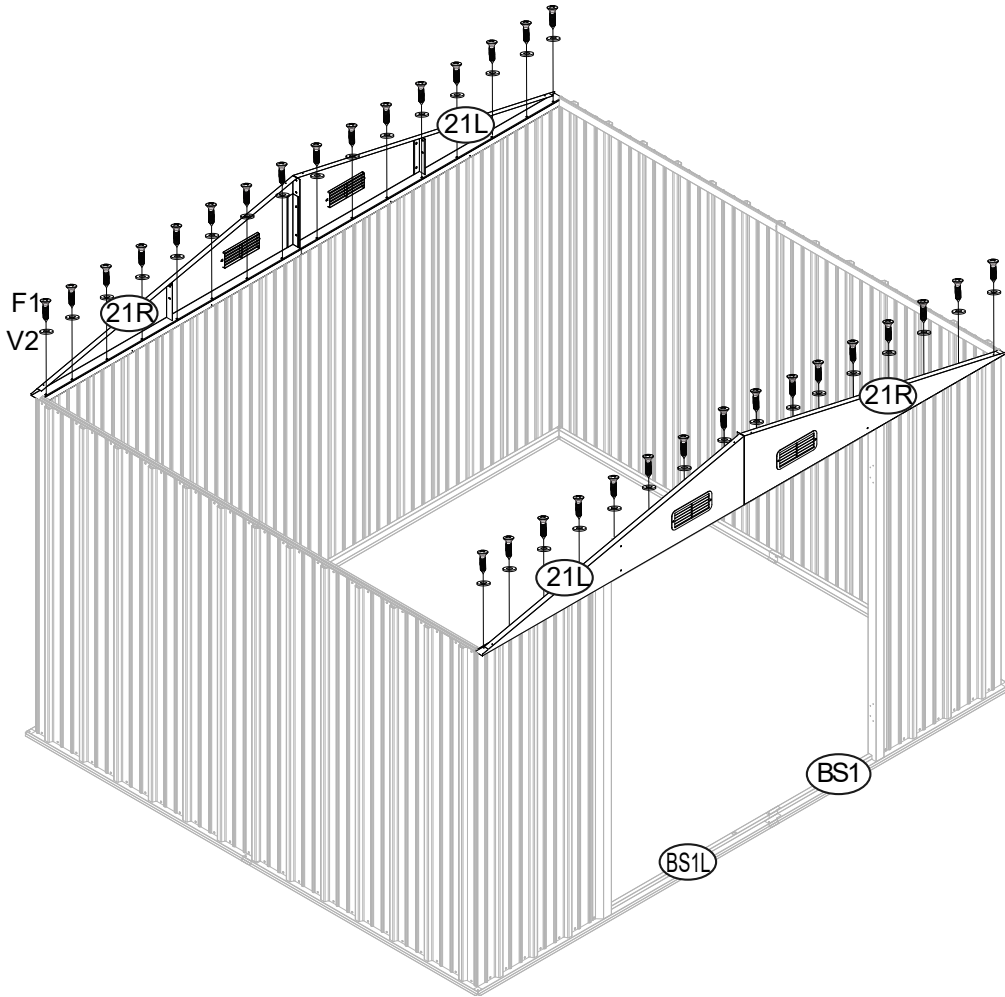
Don't tighten these two screws too tightly.


Parts	No	Qty
	F2	12

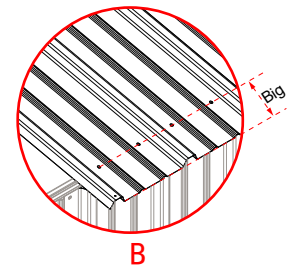
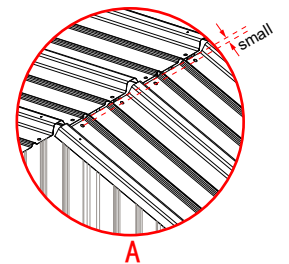
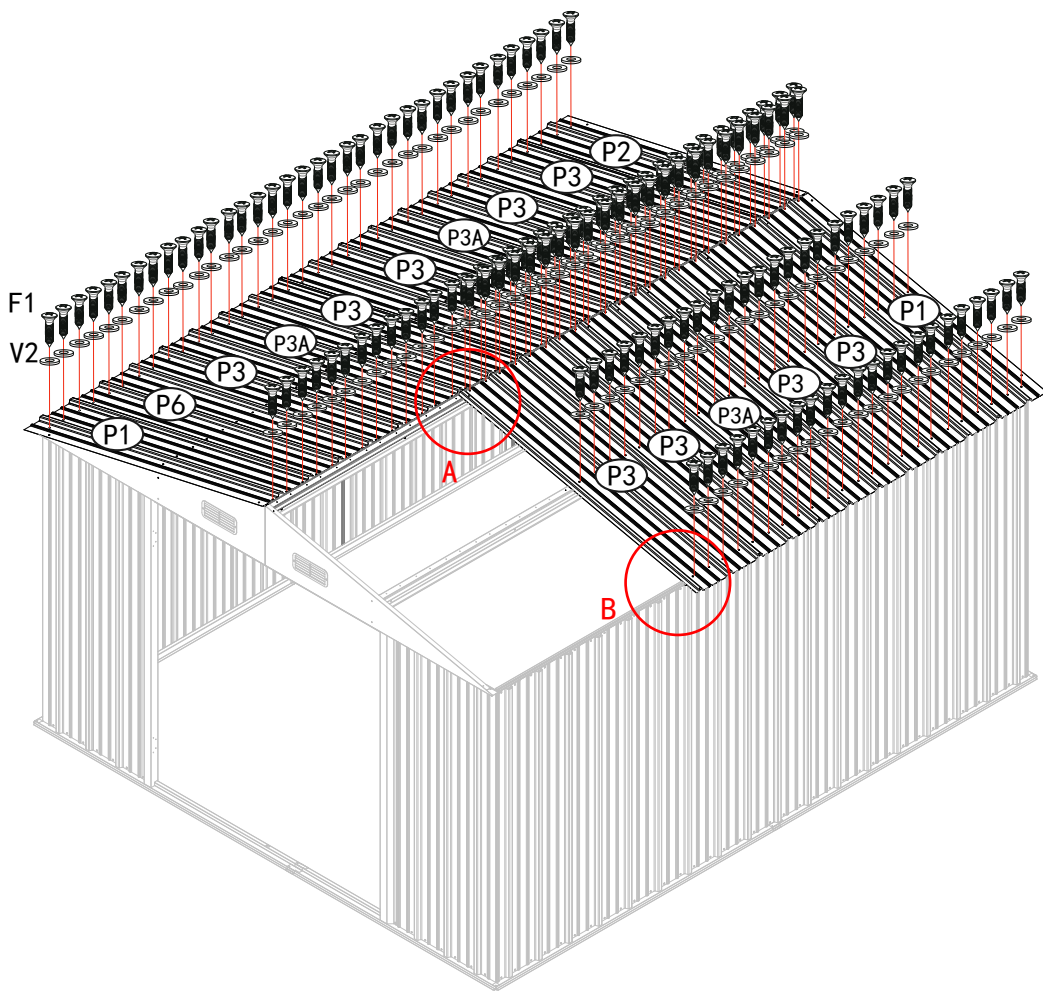




Parts	No	Qty
	F2	8

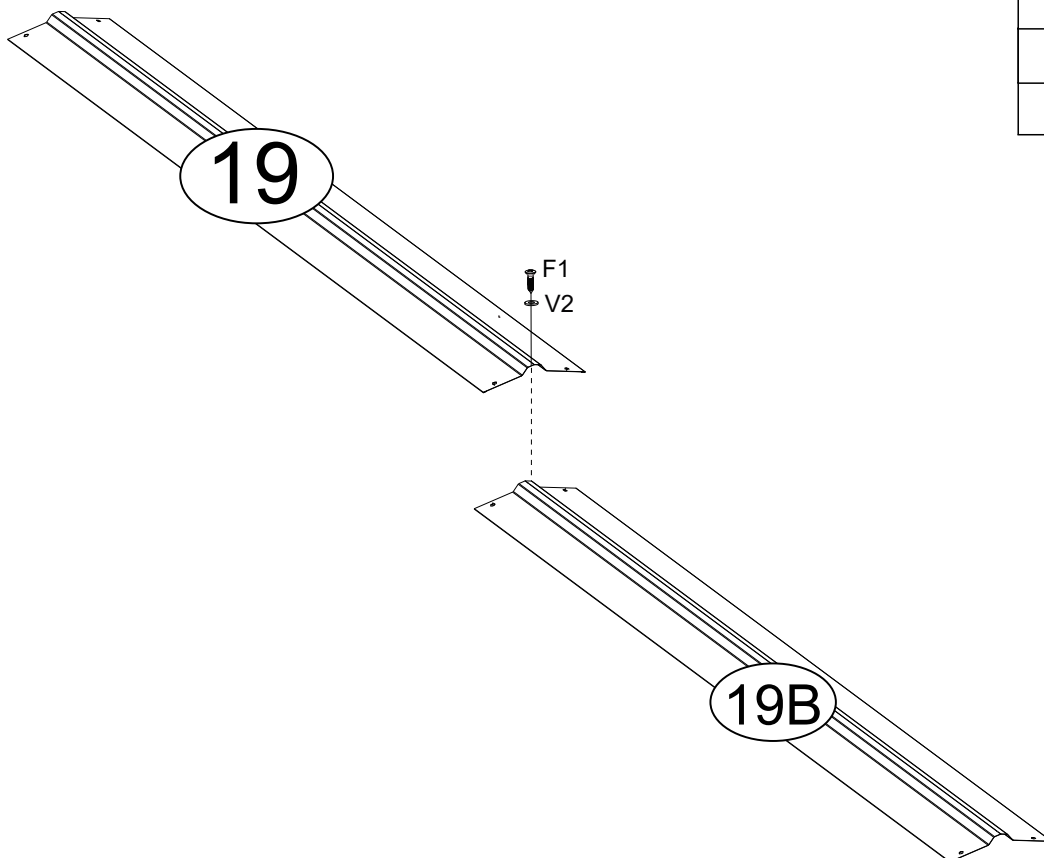
Parts	No	Qty
	F1	32
	V2	32

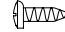



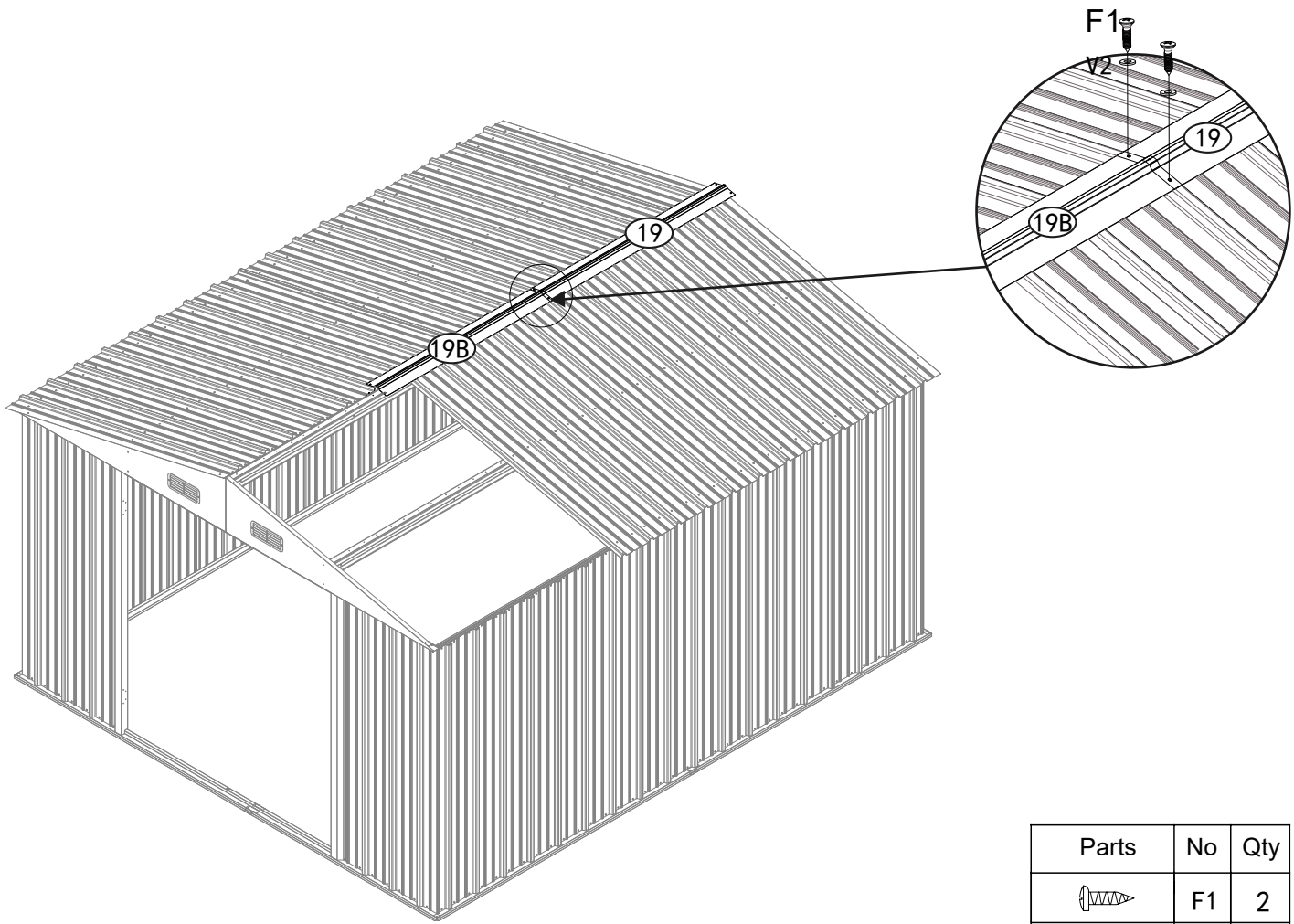
Parts	No	Qty
	F2	12

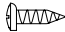



Parts	No	Qty
	F1	141
	V2	141

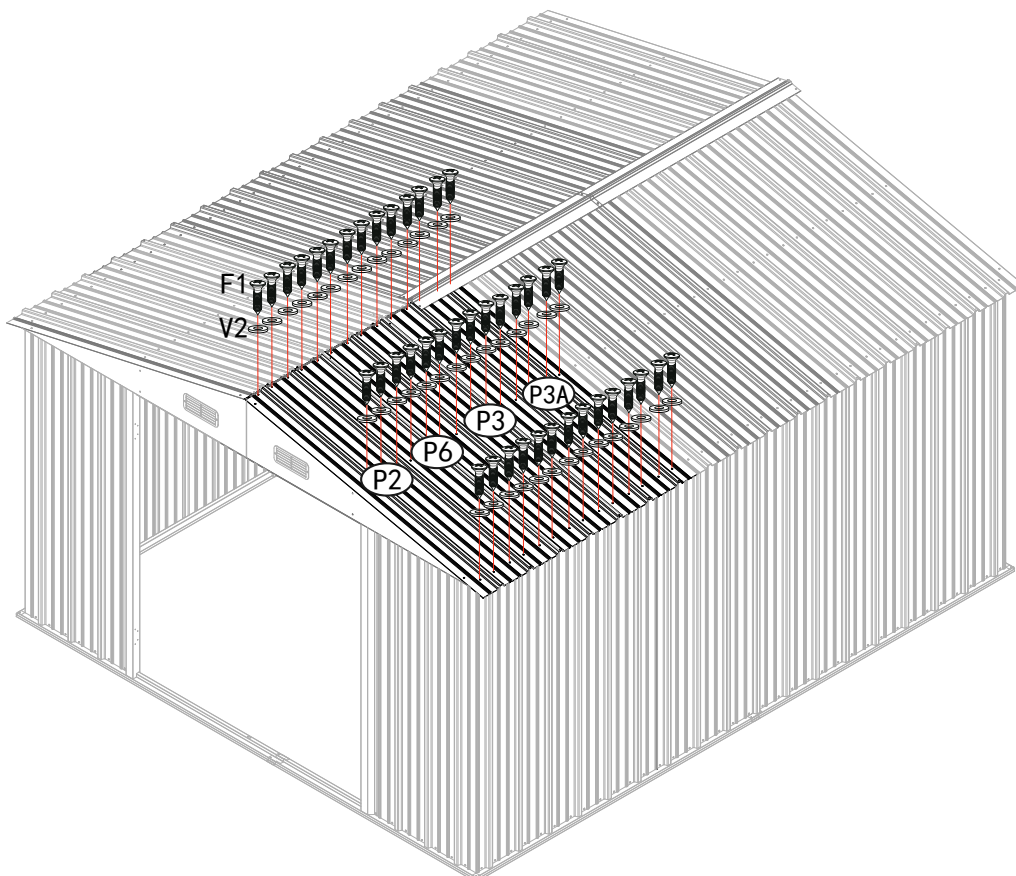


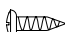

Parts	No	Qty
	F1	1
	V2	1

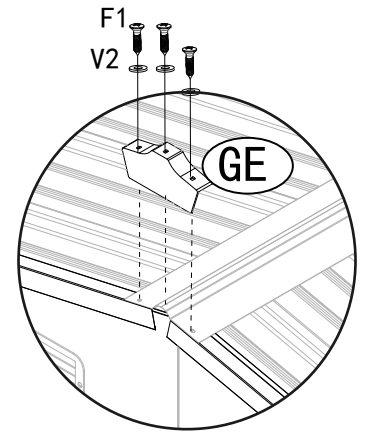
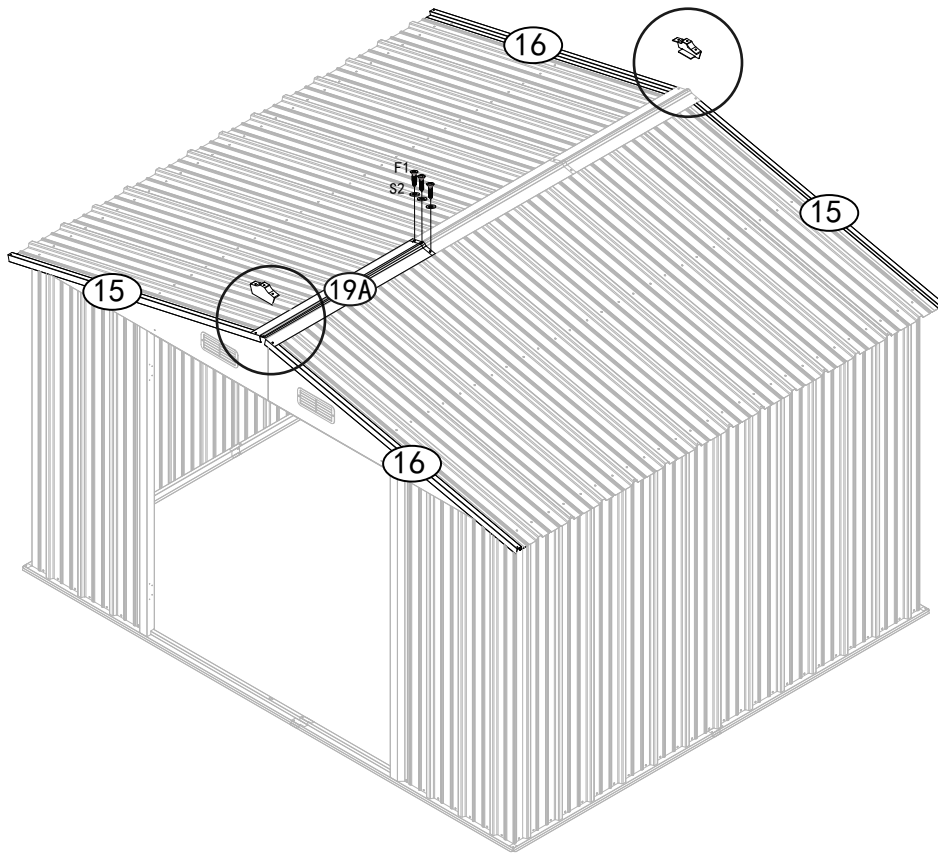


Parts	No	Qty
	F1	2
	V2	2

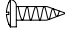



**Installation tips:** You need to gently lift the 19 and then screw it.

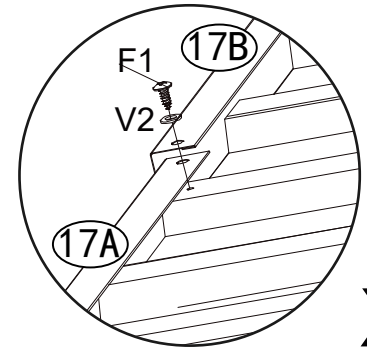
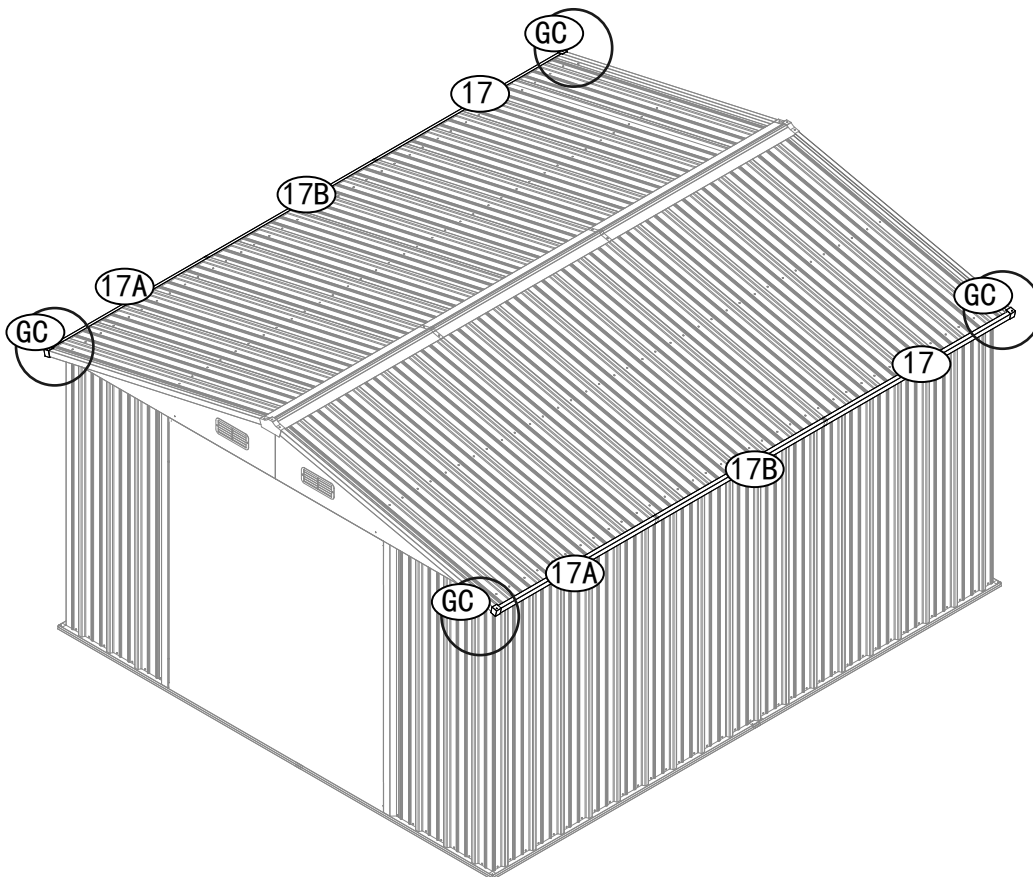


Parts	No	Qty
	F1	42
	V2	42



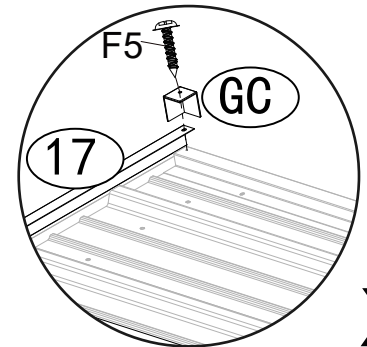
x2

Parts	No	Qty
	F1	9
	V2	9
	GE	2
	19A	1



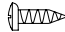


A

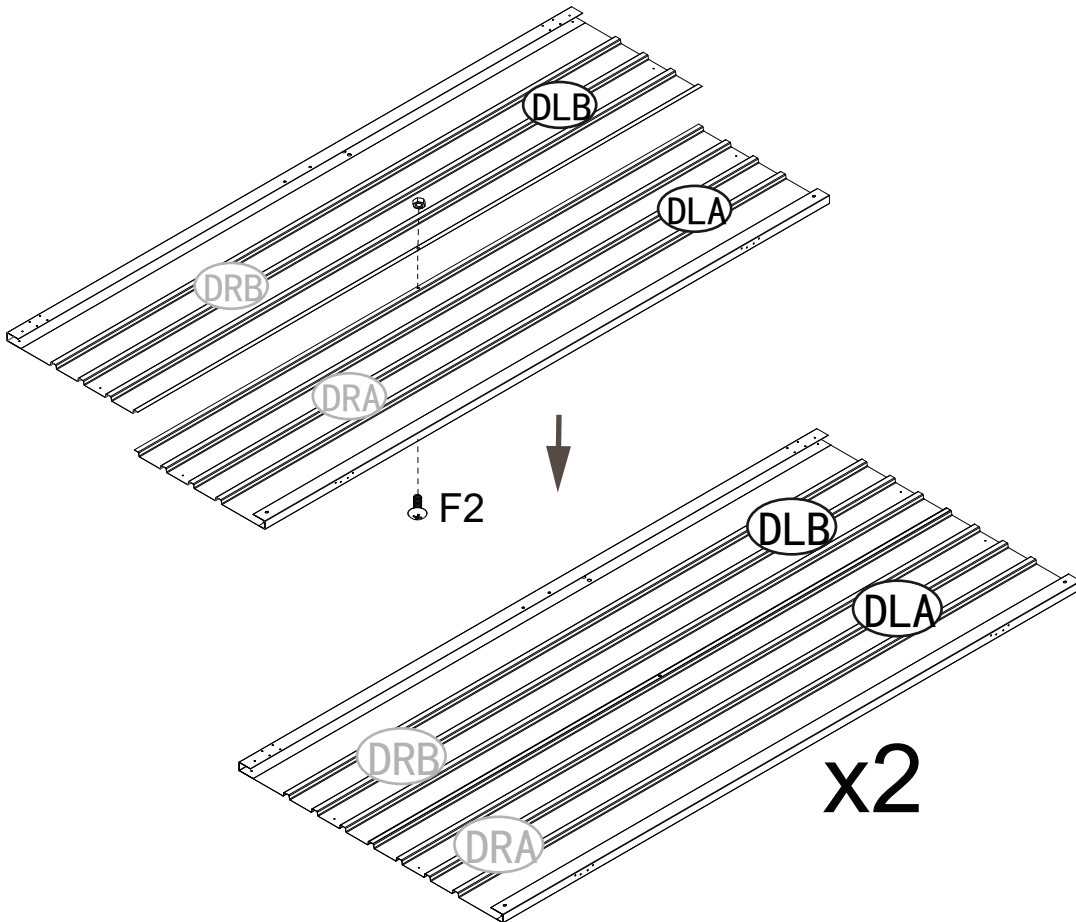
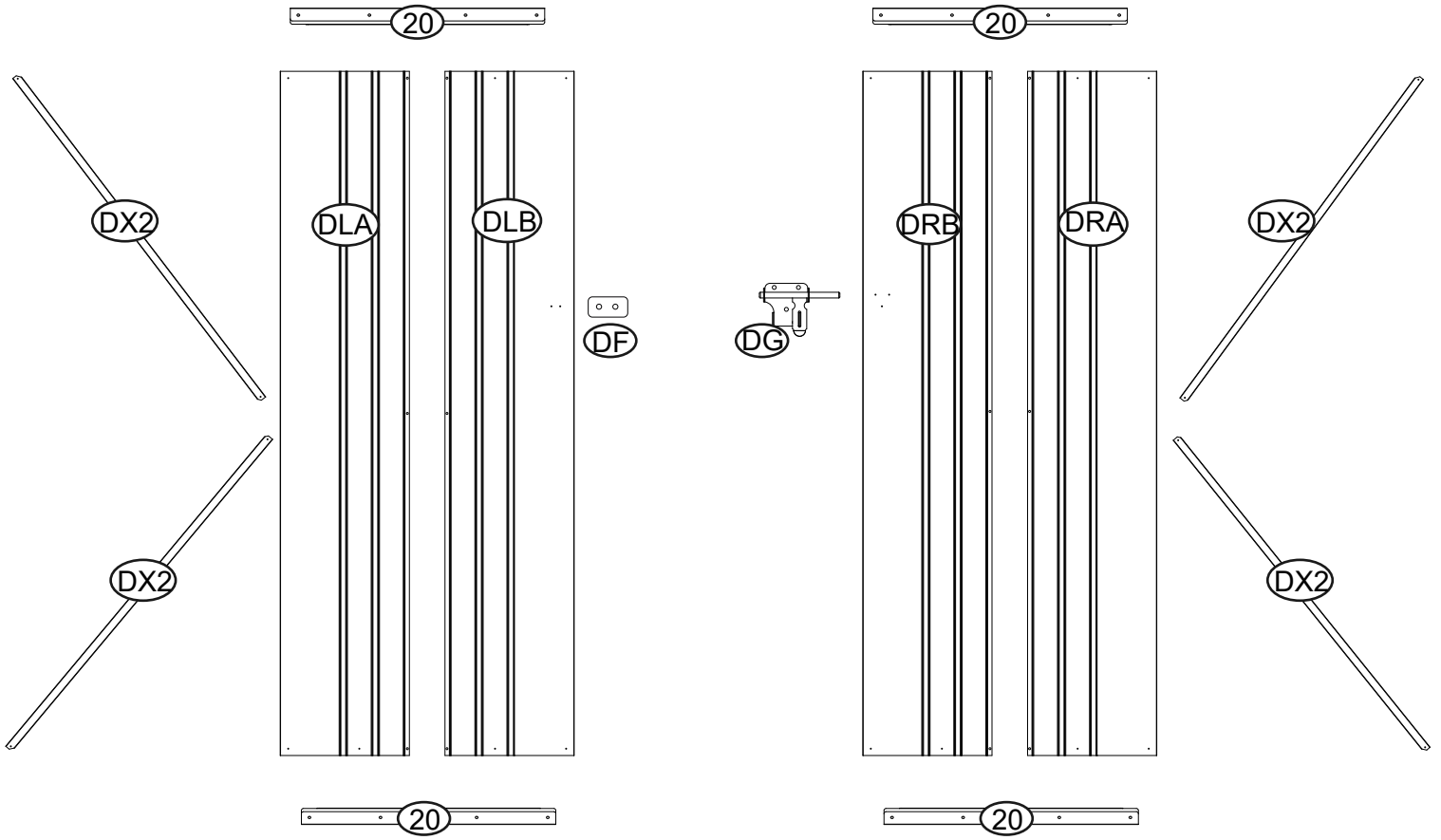
x2

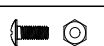


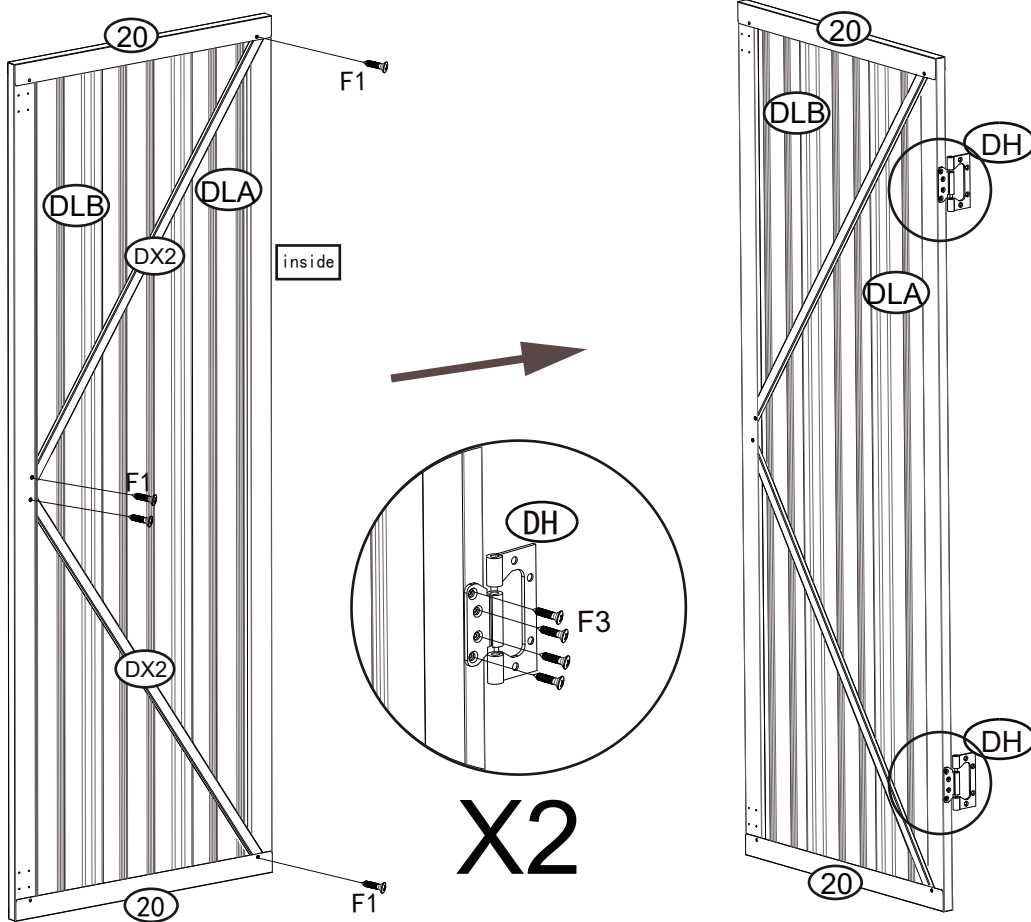
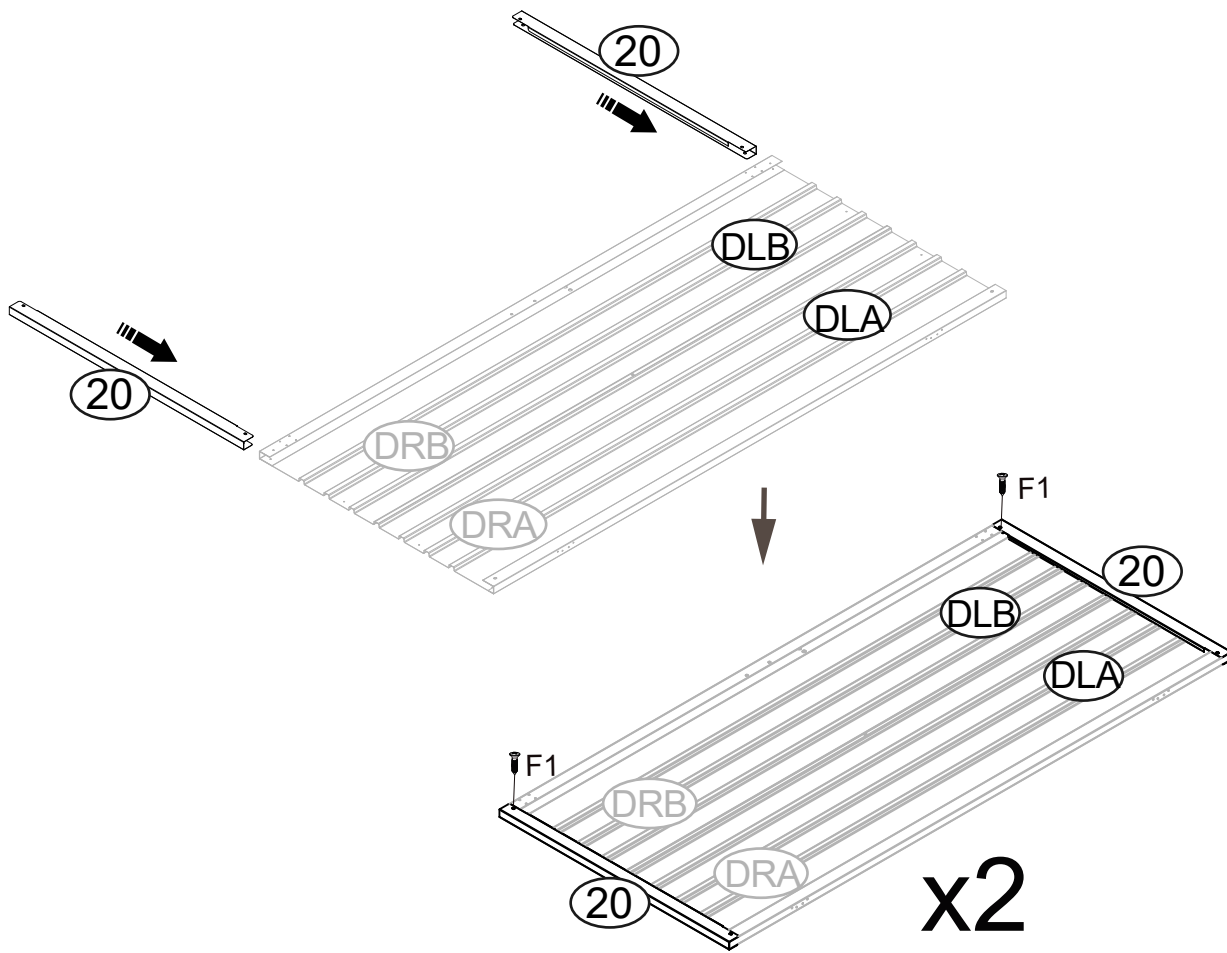
B



x4

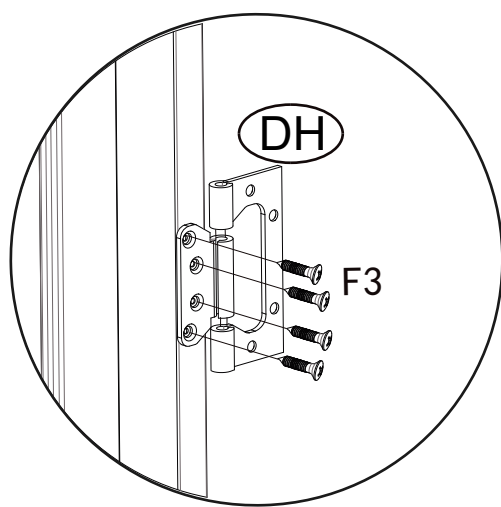
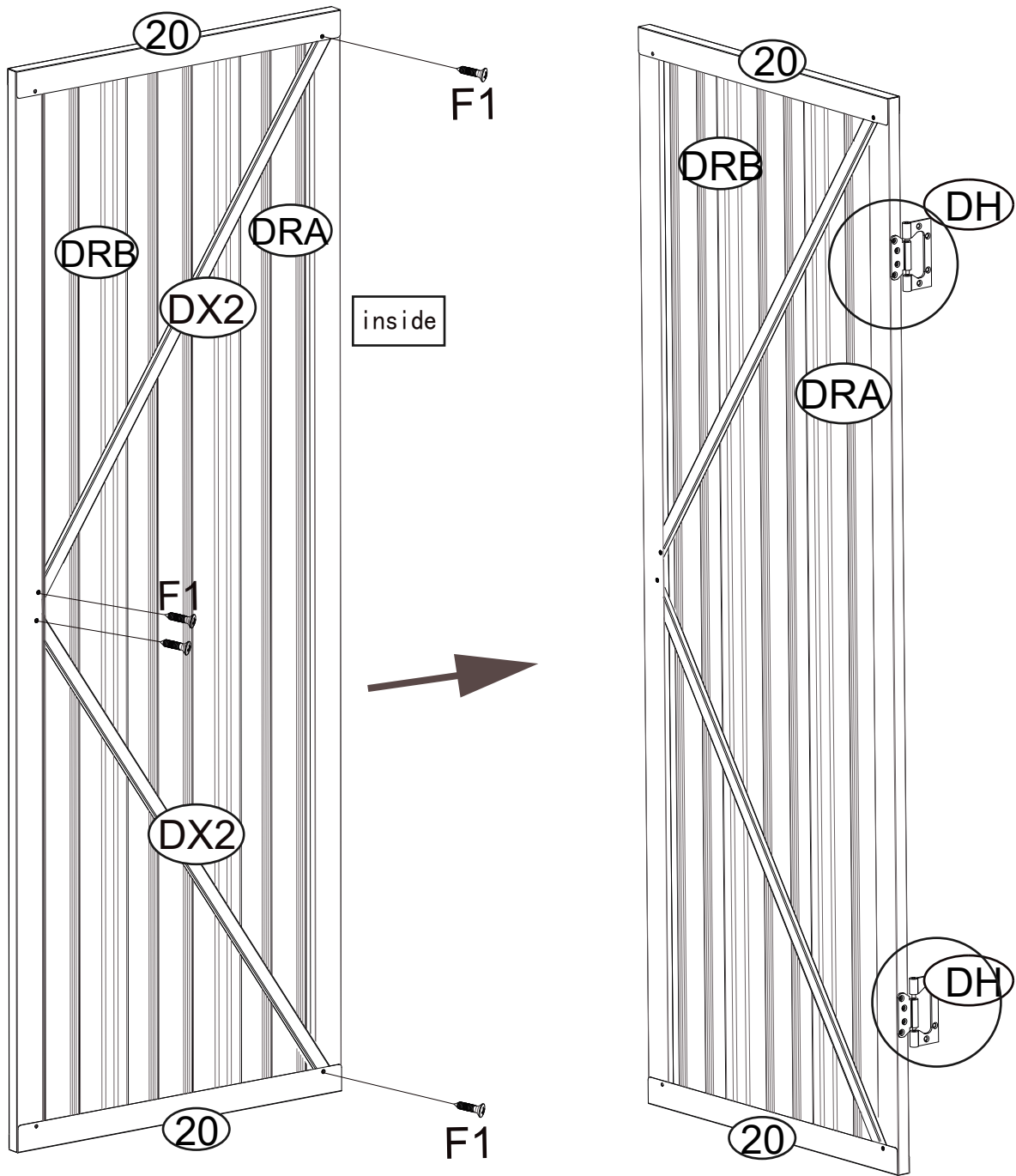
Parts	No	Qty
	F1	4
	V2	4
	F5	4





Parts	No	Qty
	F2	2

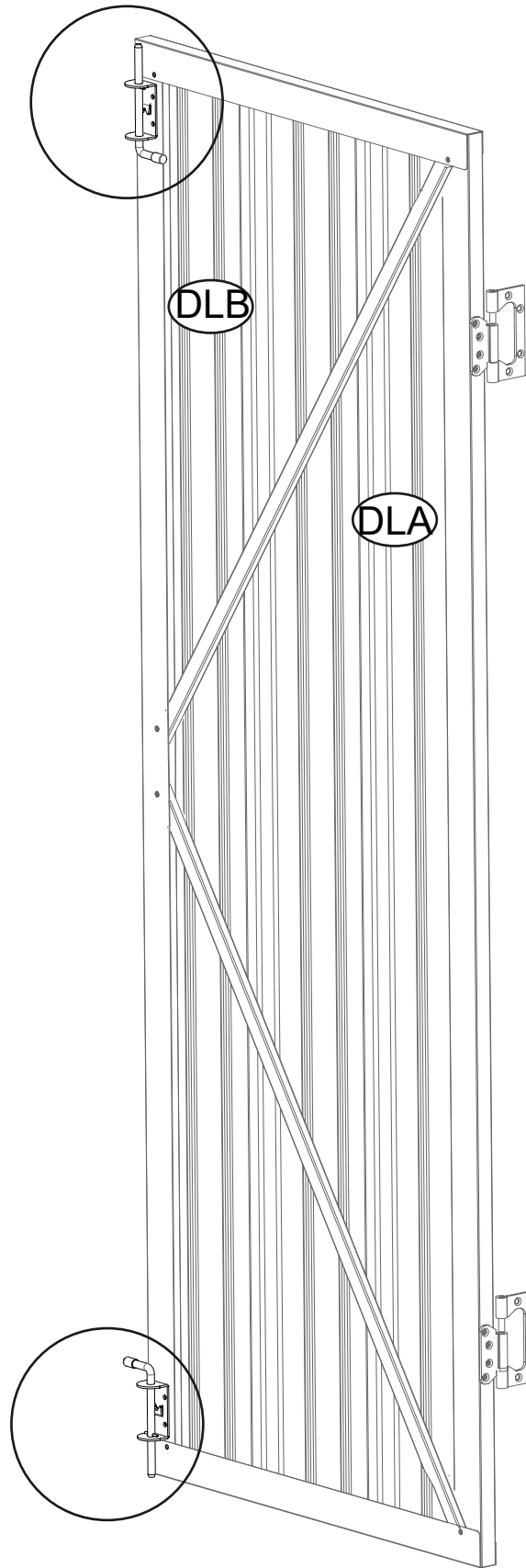
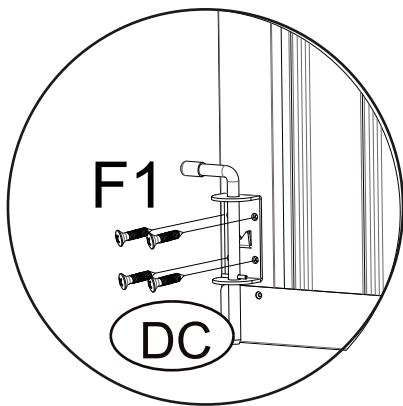
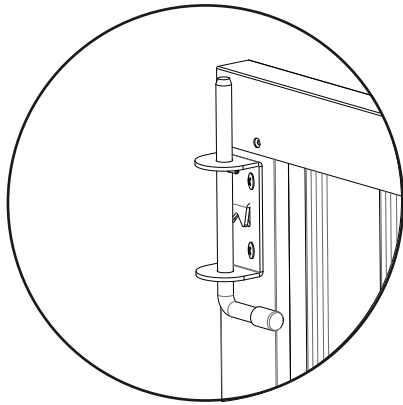
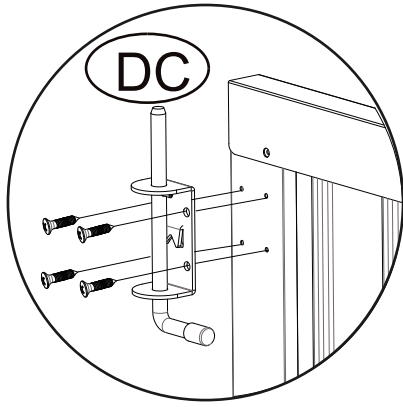


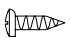
Parts	No	Qty
	F1	4
	F3	8

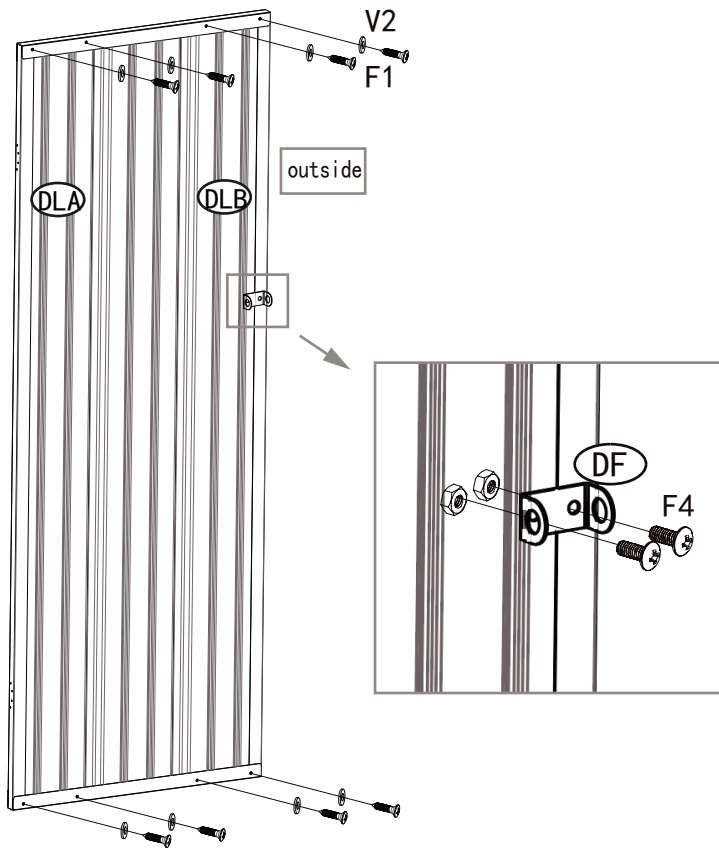


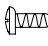


**X2**

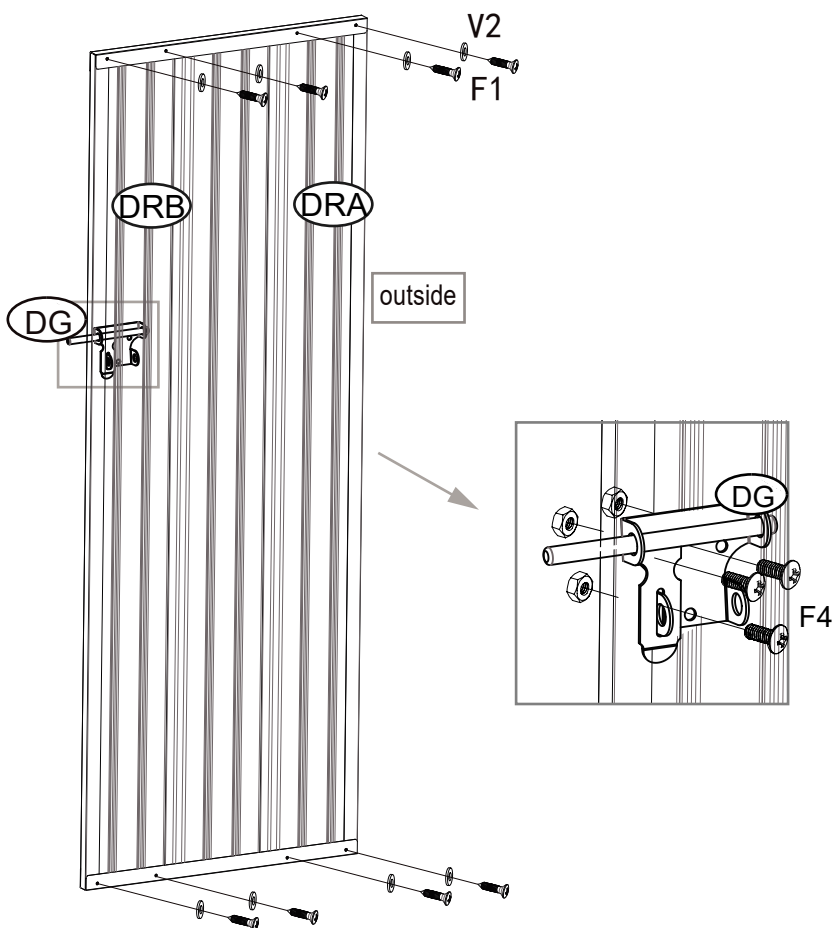
Parts	No	Qty
	F1	4
	F3	8

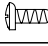




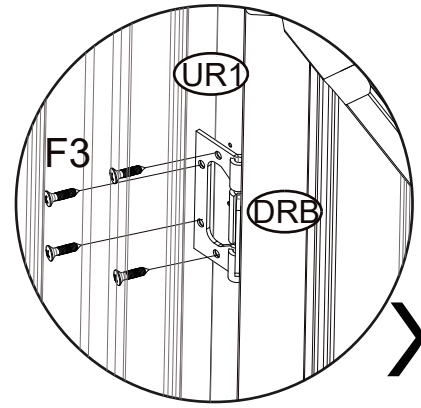
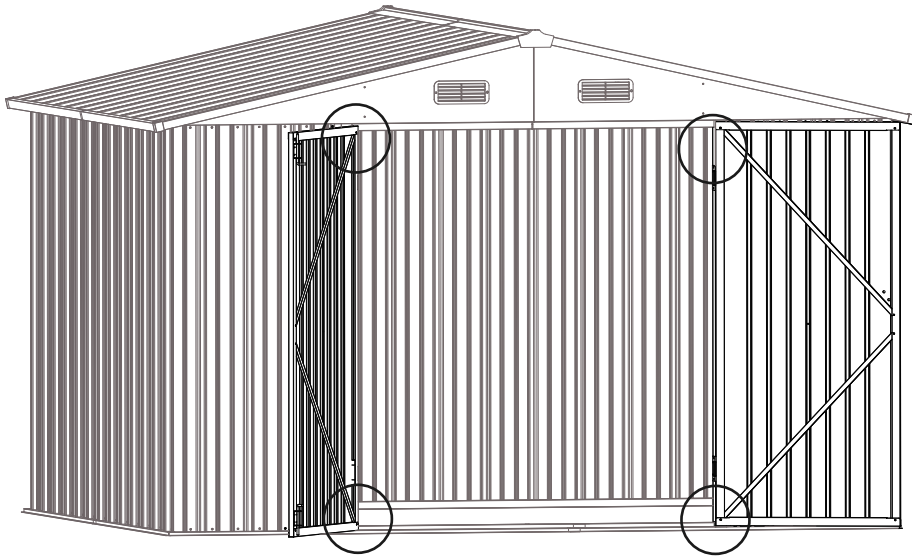
Parts	No	Qty
	F1	8




Parts	No	Qty
	F1	8
	V2	8
	F4	2




Parts	No	Qty
	F1	8
	V2	8
	F4	3



**X4**

Parts	No	Qty
	F3	8

NO.	PART	Qty.
S1		600

