

ASSEMBLY INSTRUCTIONS



Fine Furniture for every stage of life

Sofa

ASSEMBLY INSTRUCTION

ASSEMBLY TIPS:

1. Remove hardware from box and sort by size.
2. Please check to see that all hardware and parts represent prior to start of assembly.
3. Please follow attached instruction in the same sequence as numbered to assure fast & easy assembly.



WARNING!

1. Don't attempt to repair or modify parts that are broken or defective. Please contact the store immediately.
2. This product is for home use only and not intended for commercial establishment.

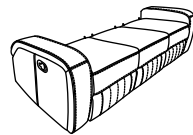


ASSEMBLY TIME

15 MINUTES

PARTS IDENTIFICATION

A SEAT



1PC

B LEFT EAR



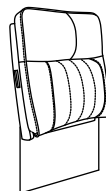
1PC

C RIGHT EAR



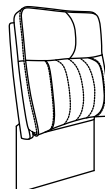
1PC

D LEFT BACK



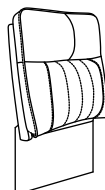
1PC

E MIDDLE BACK



1PC

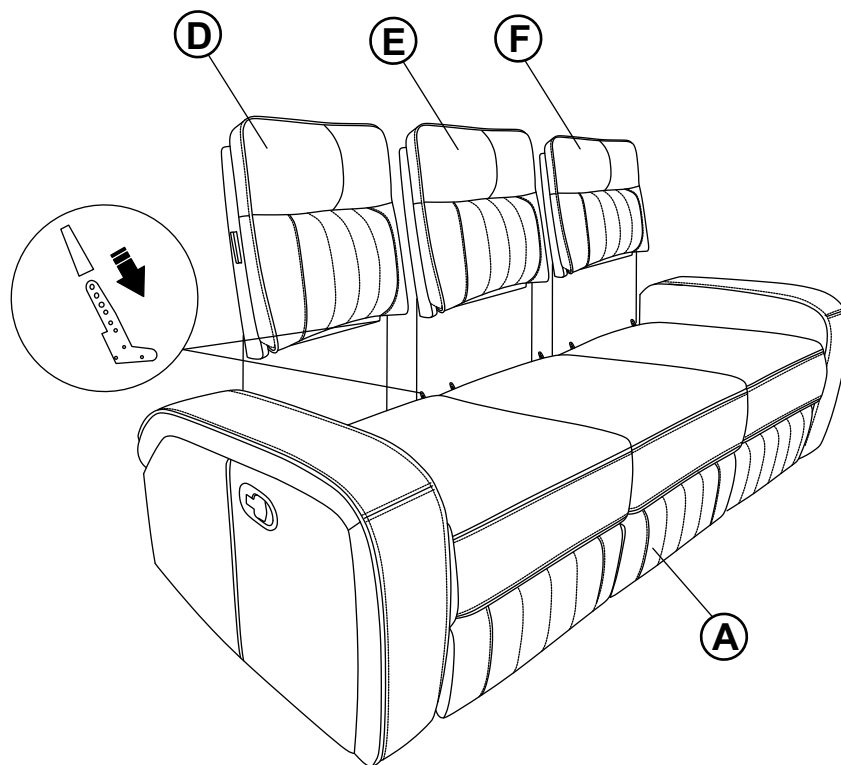
F RIGHT BACK



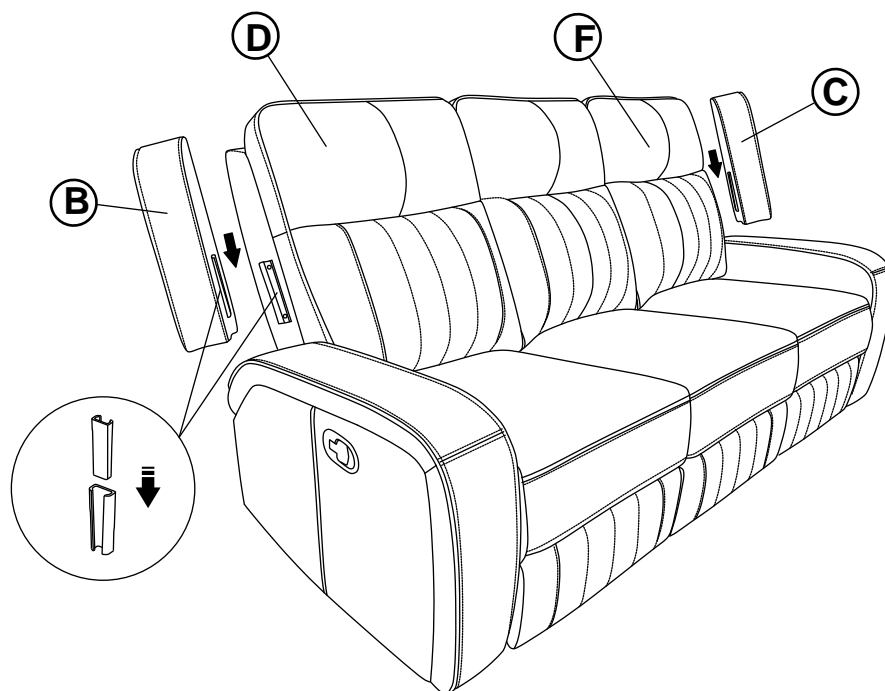
1PC

ASSEMBLY INSTRUCTION

STEP 1

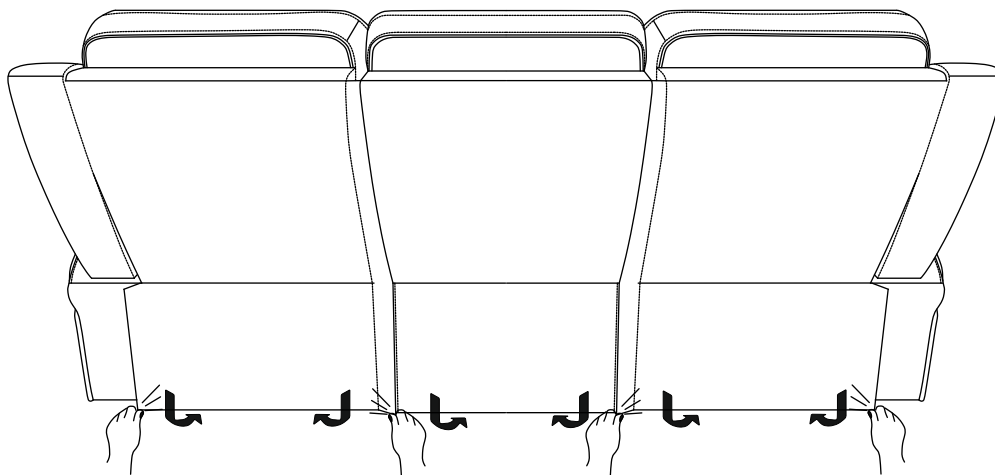


STEP 2

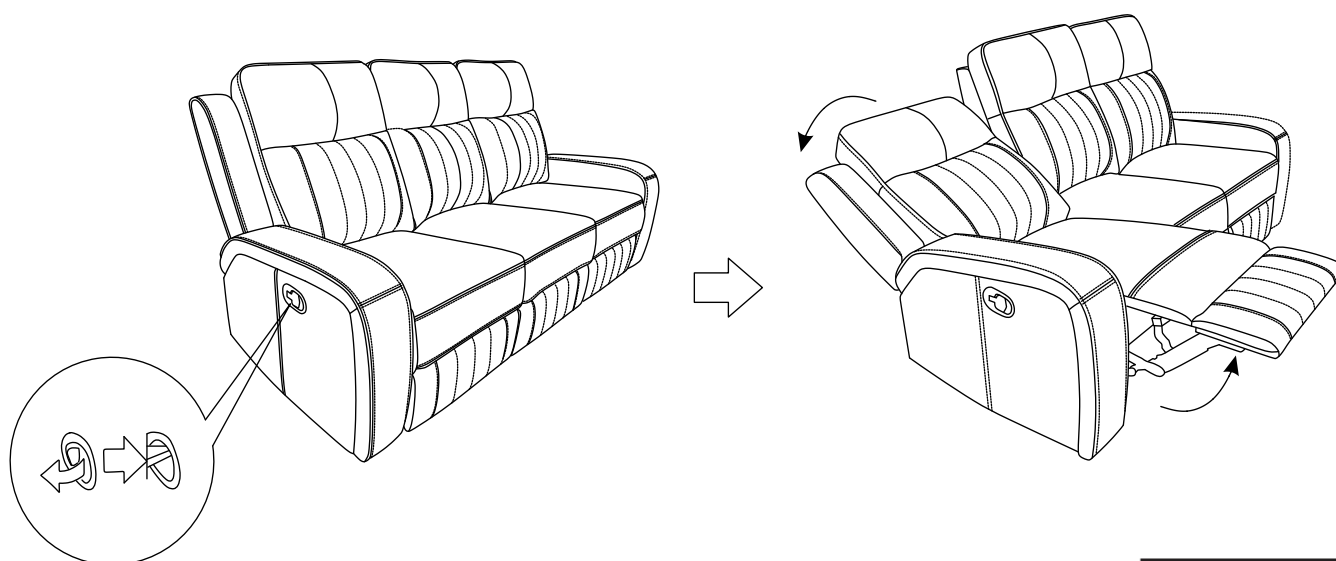


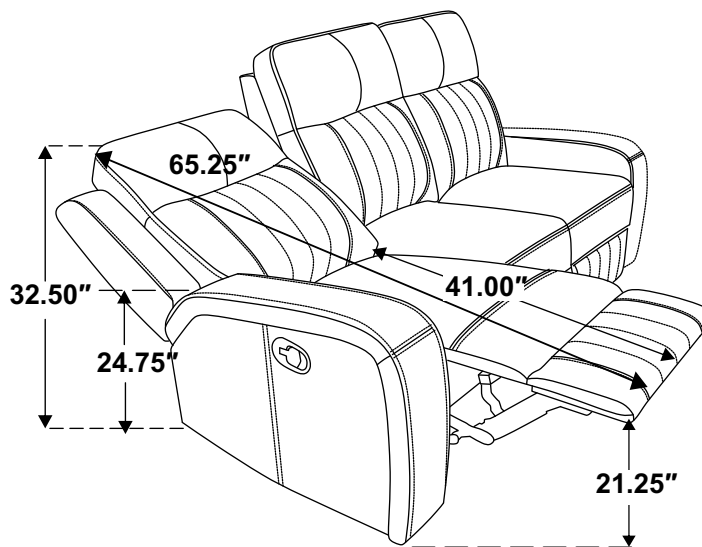
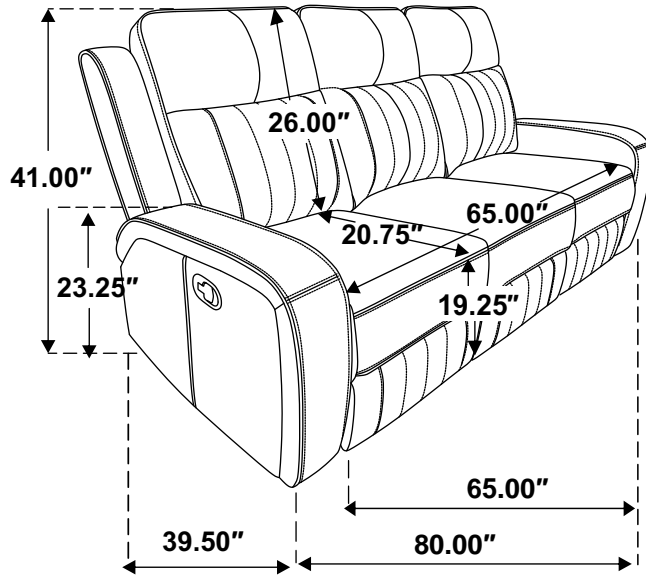
ASSEMBLY INSTRUCTION

STEP 3



STEP 4 **COMPLETE** **COMPLETE**





Note: Dimension tolerance $\pm 5\%$

ASSEMBLY INSTRUCTIONS



Fine Furniture for every stage of life

Loveseat

ASSEMBLY INSTRUCTION

ASSEMBLY TIPS:

1. Remove hardware from box and sort by size.
2. Please check to see that all hardware and parts represent prior to start of assembly.
3. Please follow attached instruction in the same sequence as numbered to assure fast & easy assembly.



WARNING!

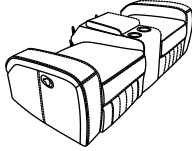


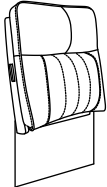
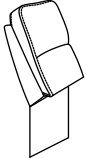
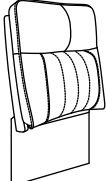
1. Don't attempt to repair or modify parts that are broken or defective. Please contact the store immediately.
2. This product is for home use only and not intended for commercial establishment.



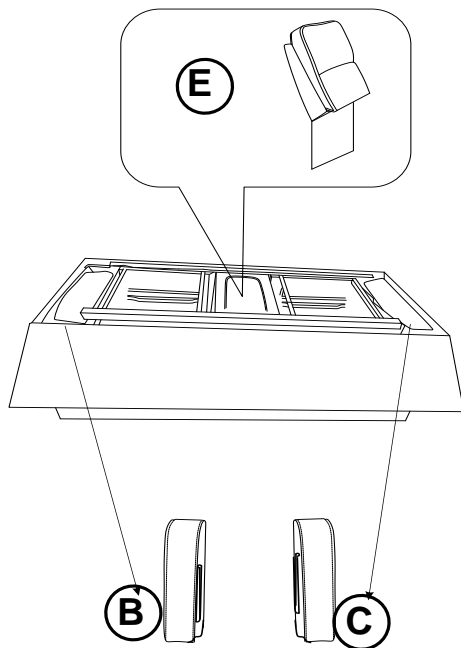
ASSEMBLY TIME

15 MINUTES

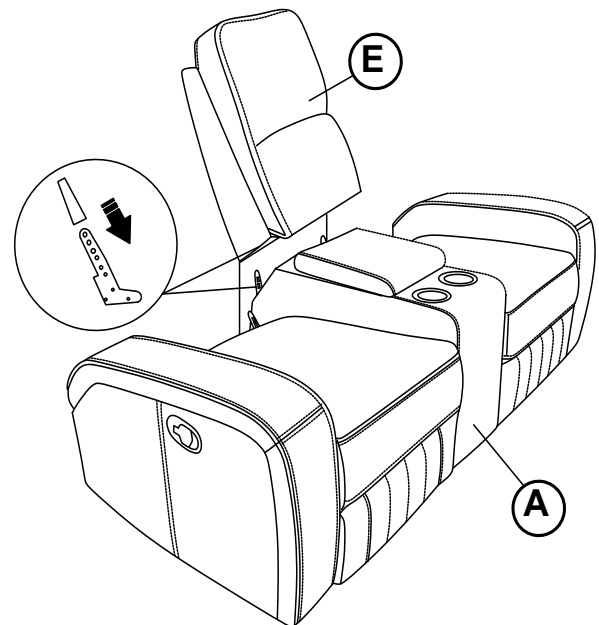
PARTS IDENTIFICATION

A	SEAT		1PC
B	LEFT EAR		1PC
C	RIGHT EAR		1PC
D	LEFT BACK		1PC
E	CONSOLE BACK		1PC
F	RIGHT BACK		1PC 1PC

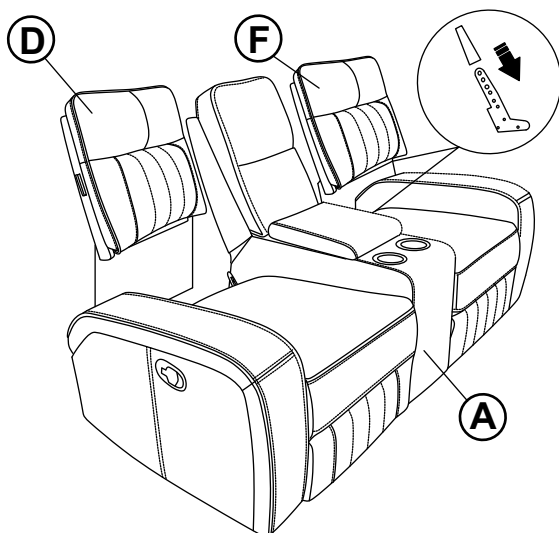
STEP 1



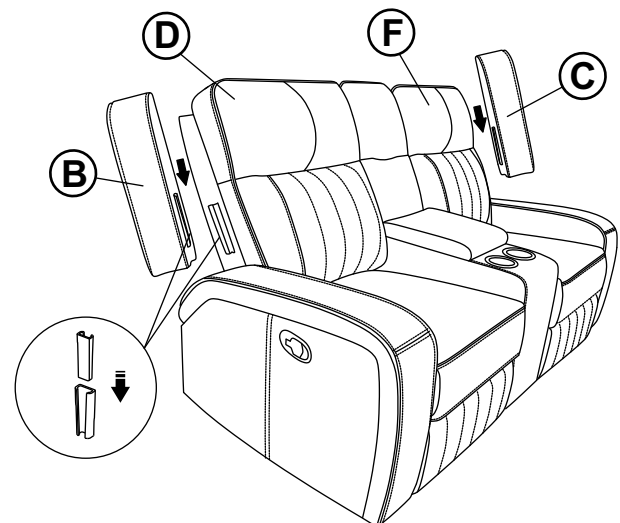
STEP 2



STEP 3

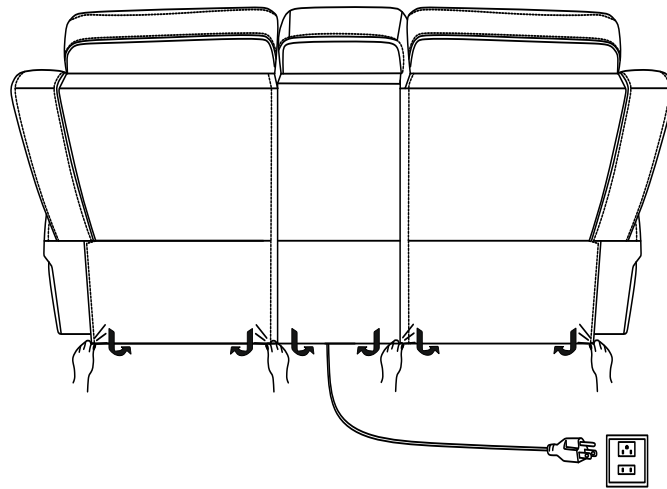


STEP 4

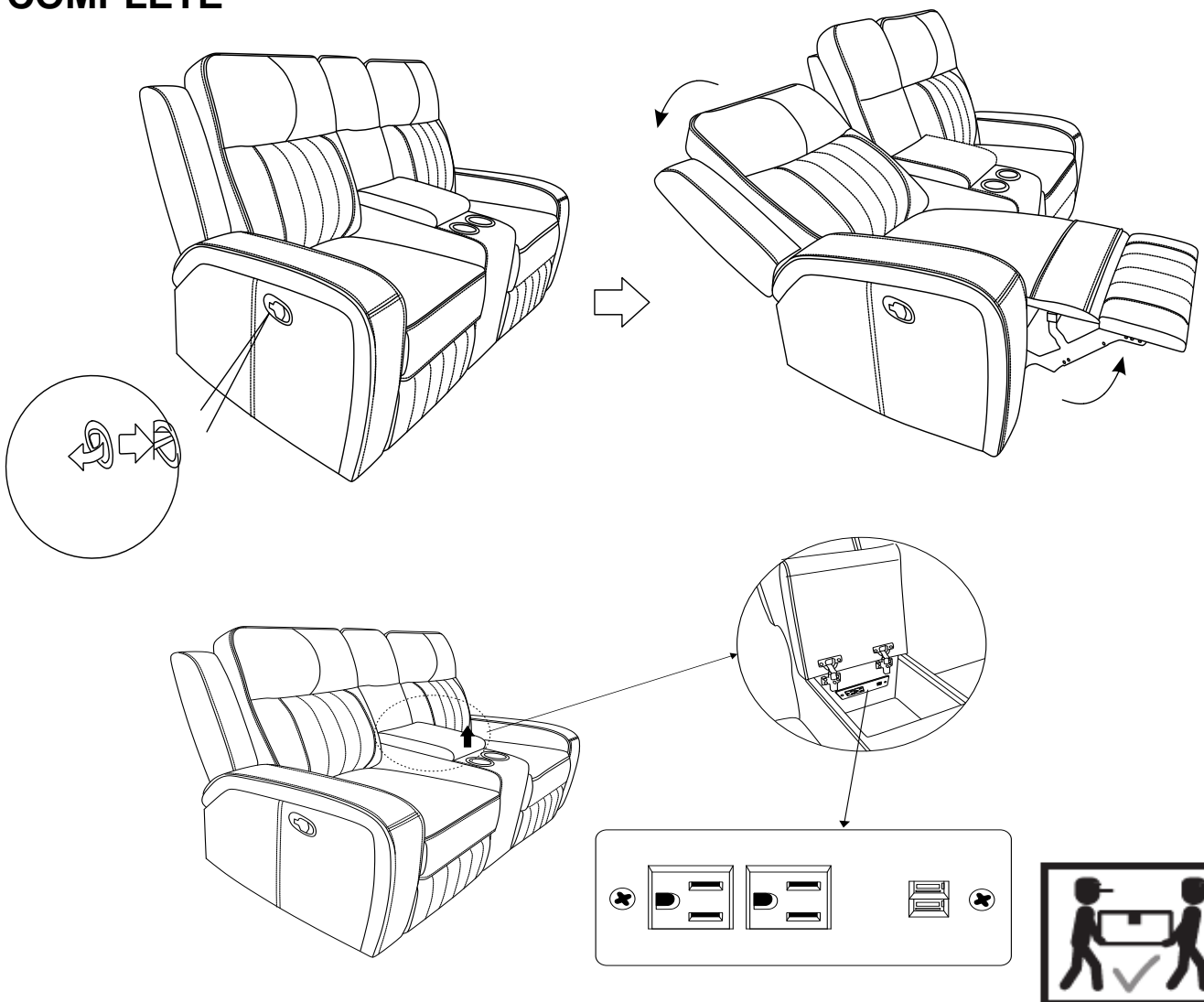


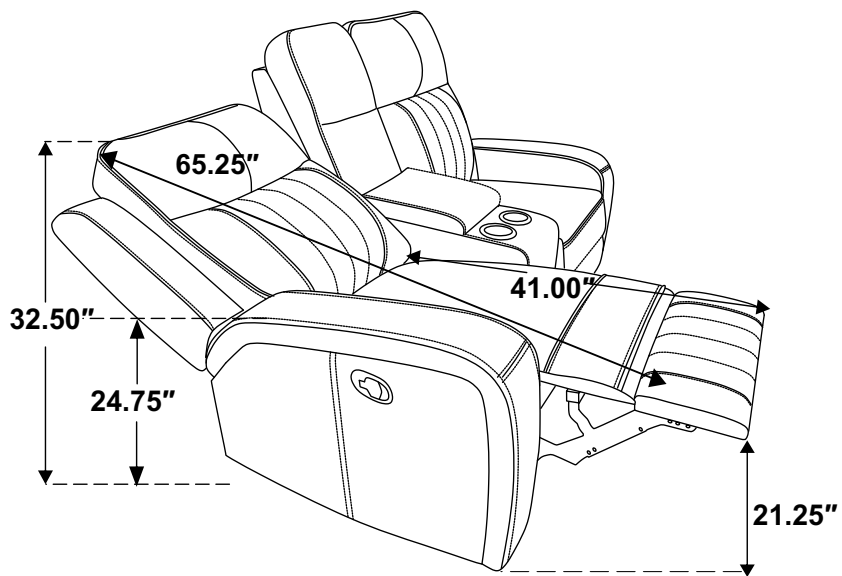
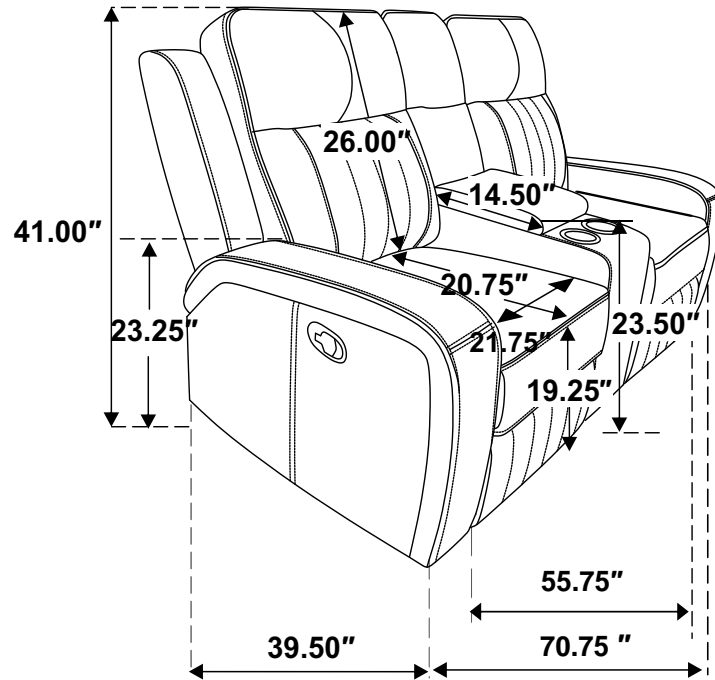
ASSEMBLY INSTRUCTION

STEP 5



STEP 6 COMPLETE





Note: Dimension tolerance $\pm 5\%$